



US00D836944S

(12) **United States Design Patent**
Rutgers

(10) **Patent No.:** **US D836,944 S**

(45) **Date of Patent:** **** Jan. 1, 2019**

(54) **TOWEL BAR**

(71) Applicant: **Taymor Industries Ltd.**, Delta (CA)

(72) Inventor: **Janet Ruth Rutgers**, White Rock (CA)

(73) Assignee: **Taymor Industries Ltd.**, Delta (CA)

(**) Term: **15 Years**

(21) Appl. No.: **29/585,517**

(22) Filed: **Nov. 25, 2016**

(51) **LOC (11) Cl.** **06-04**

(52) **U.S. Cl.**

USPC **D6/549**

(58) **Field of Classification Search**

USPC D6/549, 518-524, 546-548, 550, 574;
D8/300, 315, 370; 108/28-29; 211/13.1,
211/16, 85.5, 86.01, 87.01, 88.04, 100,
211/105.1, 105.2, 106, 106.1, 113, 123,
211/181.1, 182-183; 242/570, 590,
242/595-598; 248/175, 176.1, 200, 201

CPC A47K 5/02; A47K 10/10; A47K 10/04;
A47K 2201/02; A47K 2201/00; A47K
10/12; A47G 25/0692; E05B 1/0015;
Y10S 16/41; Y10T 16/458; Y10T 16/462

See application file for complete search history.

(56) **References Cited**

U.S. PATENT DOCUMENTS

D477,484 S * 7/2003 Ouano D6/546
D498,099 S * 11/2004 Chen D6/524

D550,489 S * 9/2007 Williams D6/523
D551,886 S * 10/2007 Berberet D6/524
D580,202 S * 11/2008 Dolan D6/549
D600,055 S * 9/2009 Hanes D6/523
D680,783 S * 4/2013 Chang D6/550
D771,405 S * 11/2016 Garland D6/523
D784,041 S * 4/2017 Pan D6/524
D784,728 S * 4/2017 Eads D6/549
D790,874 S * 7/2017 Eads D6/523

* cited by examiner

Primary Examiner — Wan Laymon

Assistant Examiner — Mark Booker

(74) *Attorney, Agent, or Firm* — Borden Ladner Gervais
LLP

(57) **CLAIM**

The ornamental design for a towel bar, as shown and described.

DESCRIPTION

FIG. 1 is a front perspective view of a towel bar of indeterminate length;

FIG. 2 is a rear perspective view thereof;

FIG. 3 is a front view thereof;

FIG. 4 is a rear view thereof;

FIG. 5 is a top view thereof;

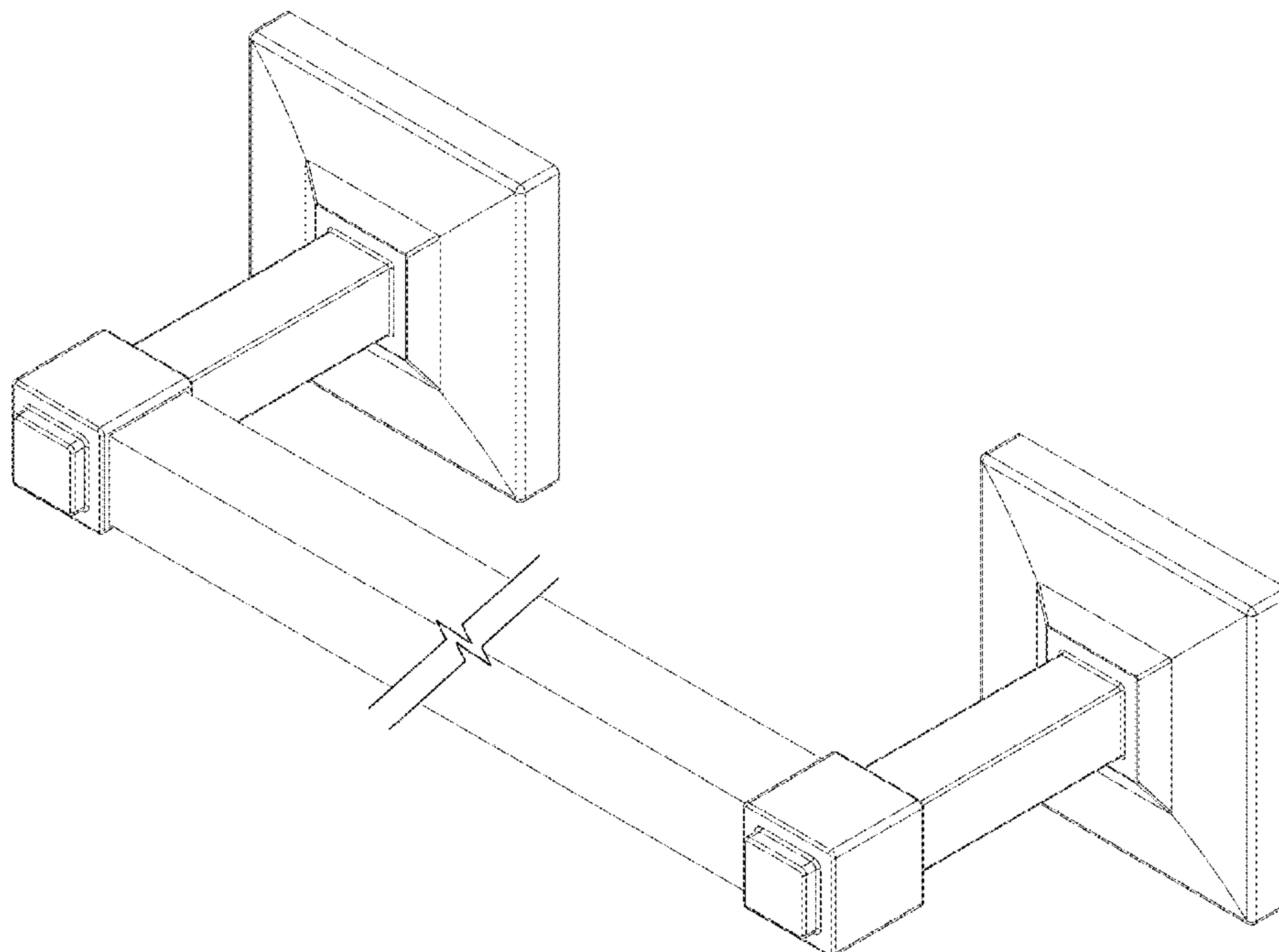
FIG. 6 is a bottom view thereof;

FIG. 7 is a right side view thereof; and,

FIG. 8 is a left side view thereof.

The towel bar is shown with a symbolic break in its length. The appearance of any portion of the article between the break lines forms no part of the claimed design.

1 Claim, 7 Drawing Sheets



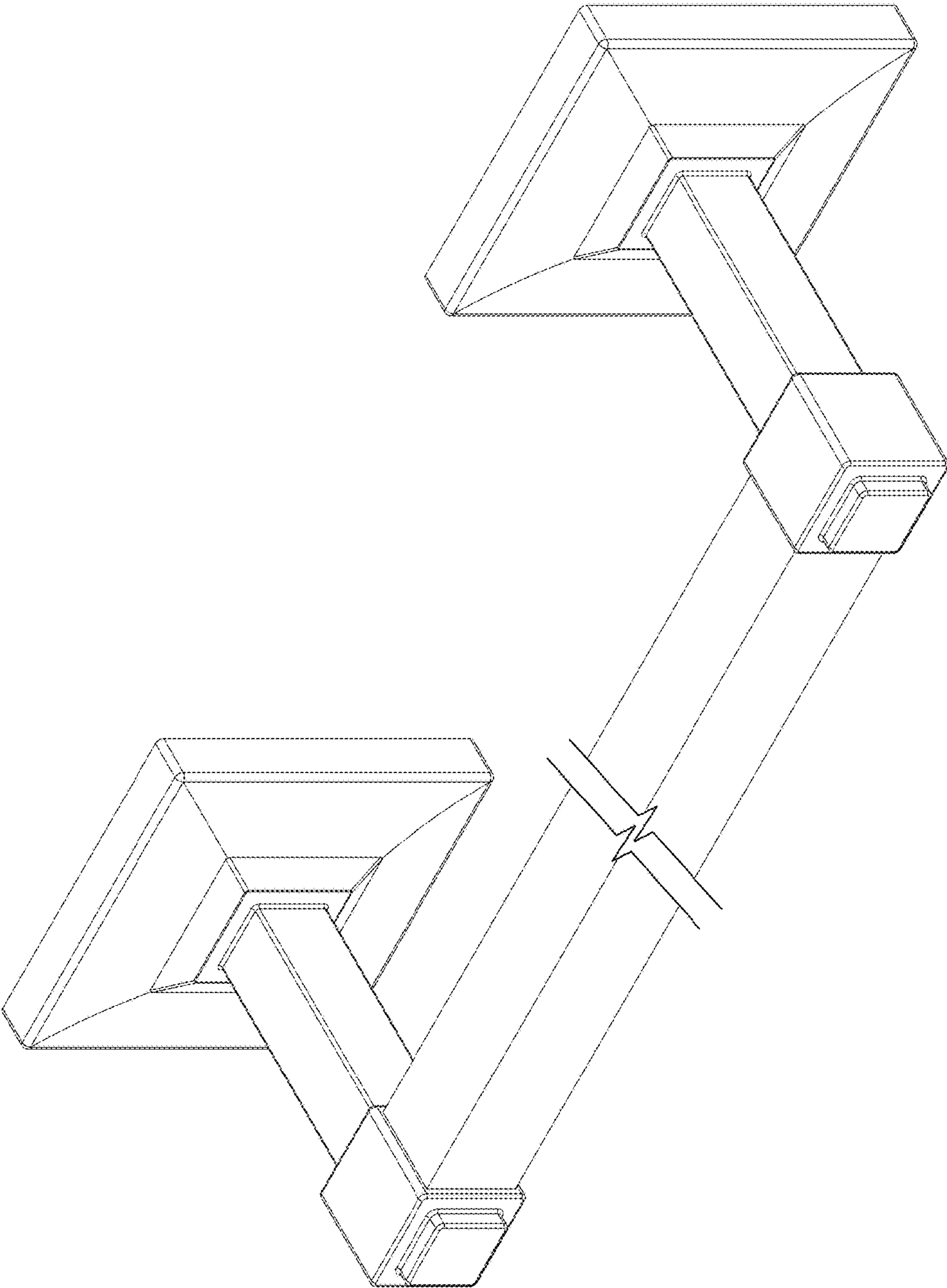


FIG.1

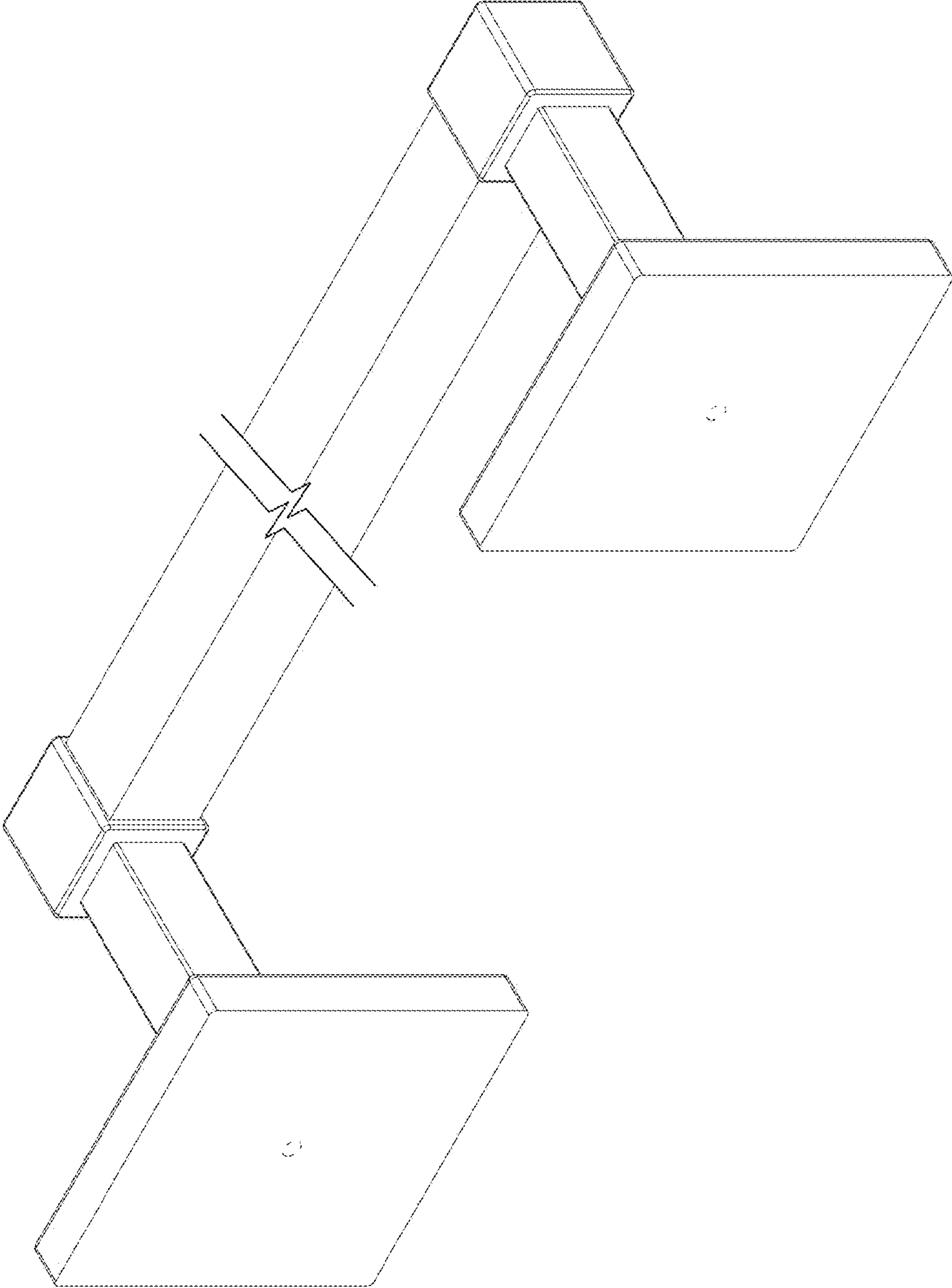


FIG. 2

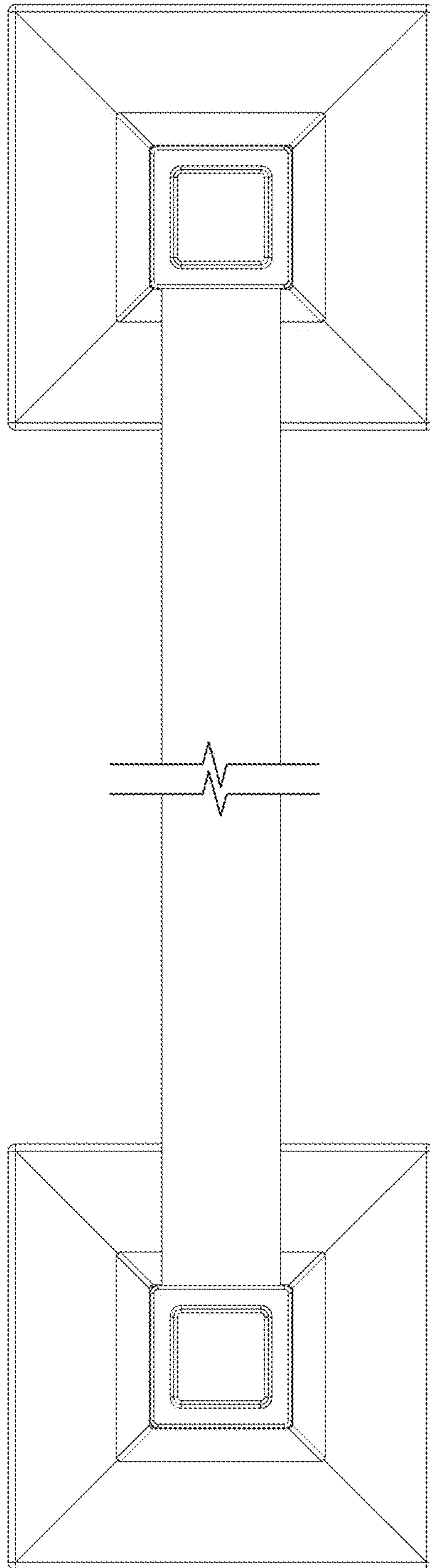


FIG.3

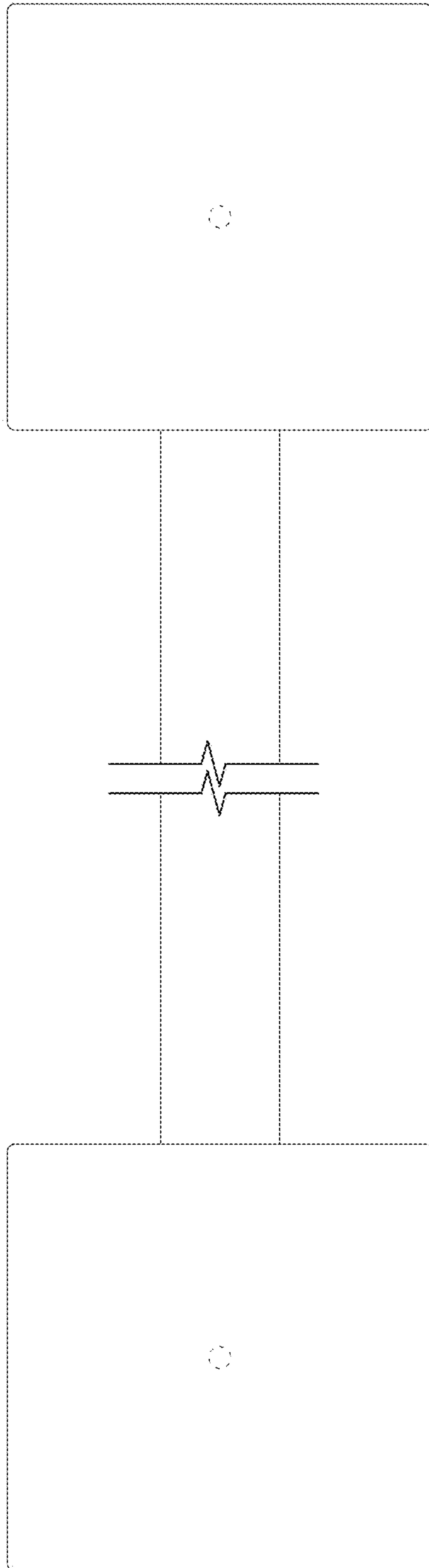


FIG.4

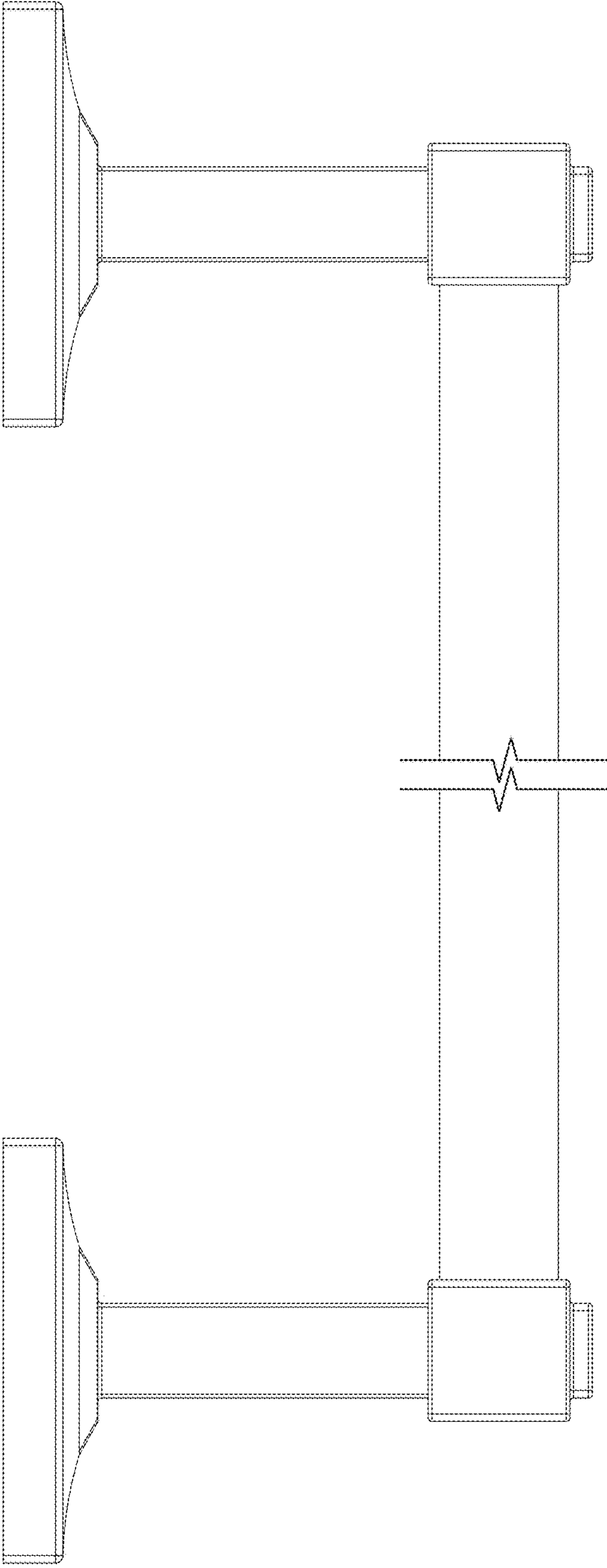


FIG. 5

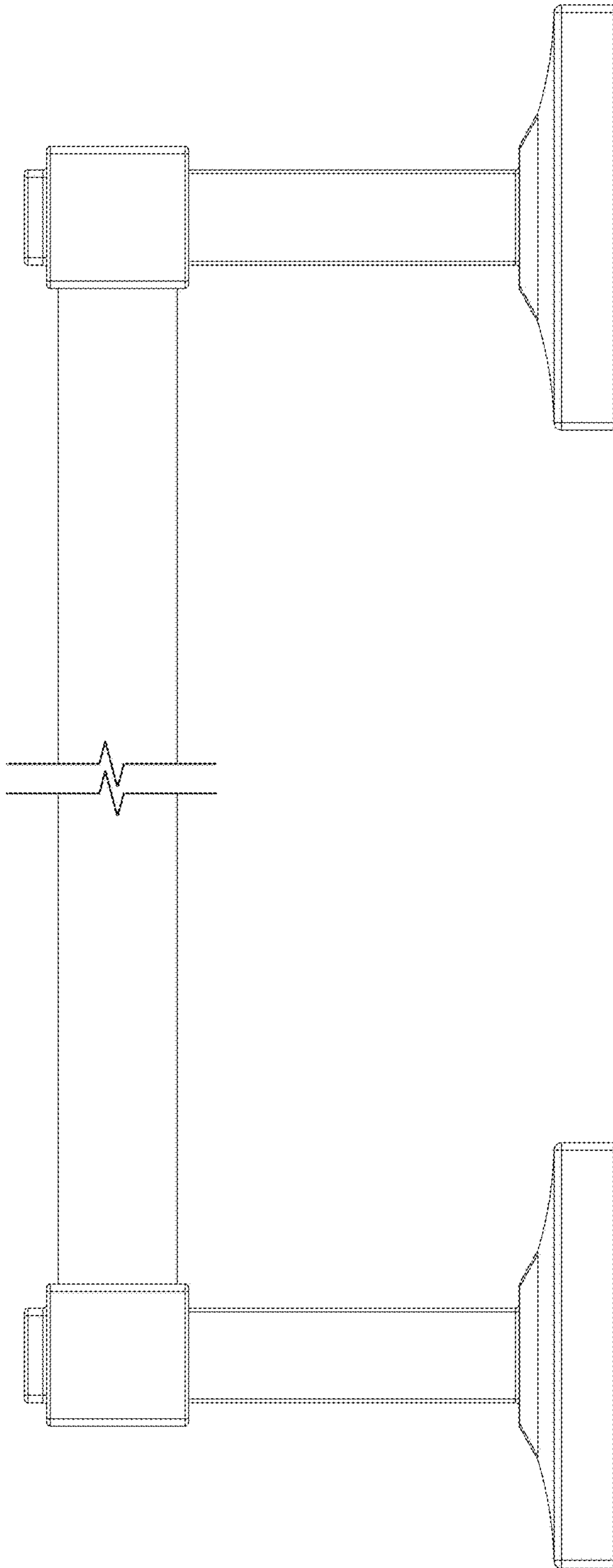


FIG. 6

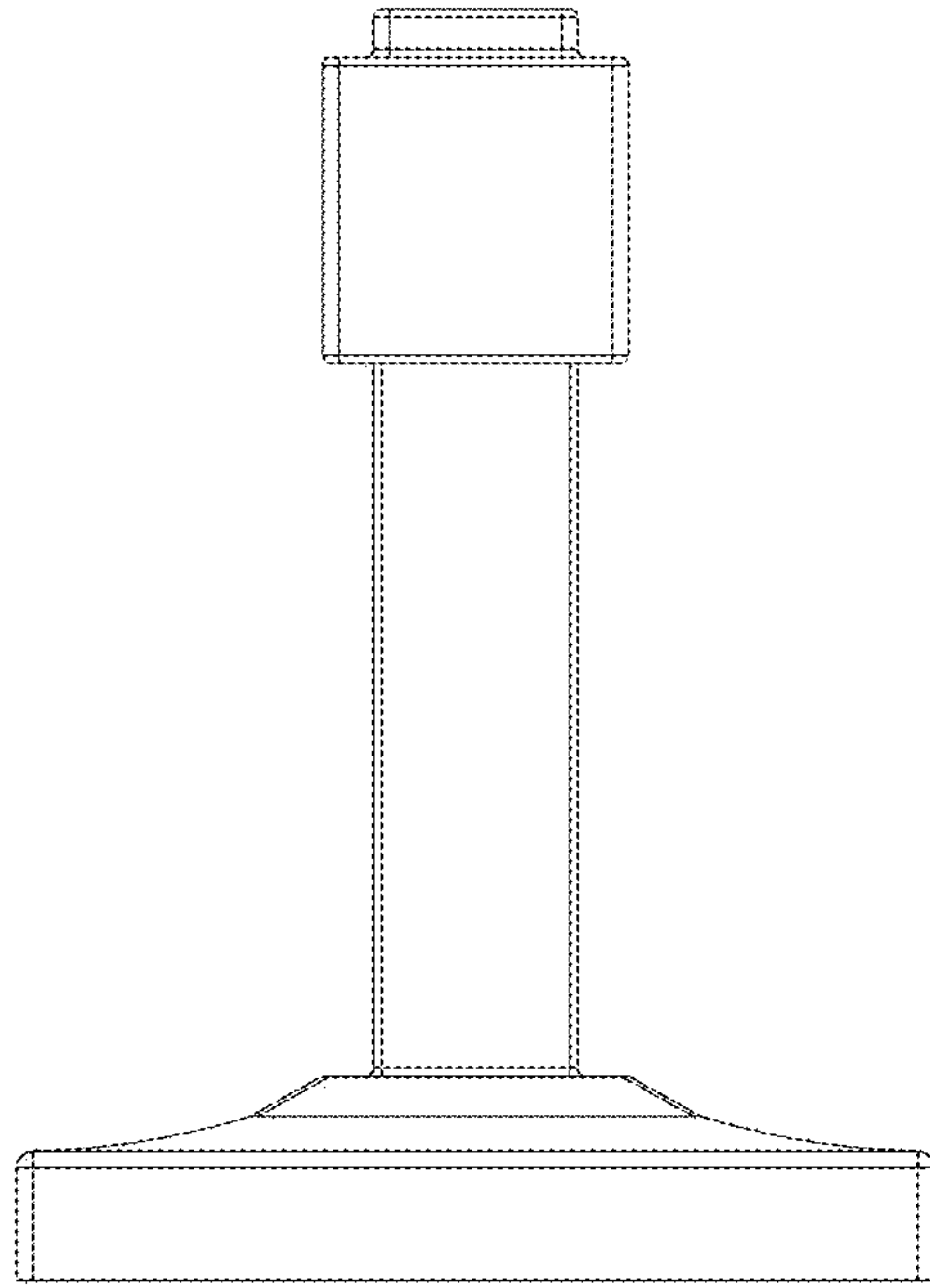


FIG. 8

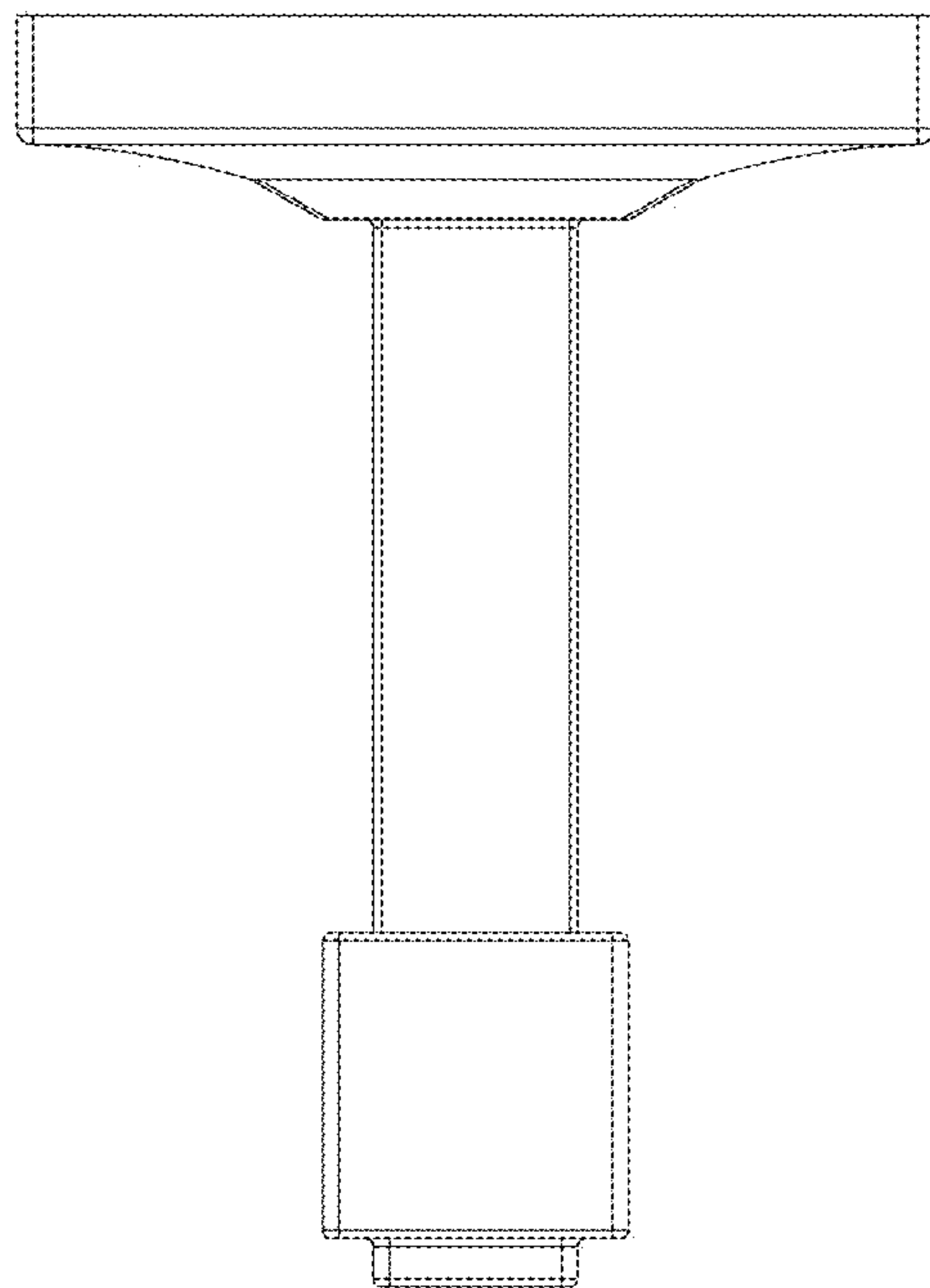


FIG. 7