



US00D836943S

(12) **United States Design Patent**
Klieman

(10) **Patent No.:** **US D836,943 S**

(45) **Date of Patent:** **** Jan. 1, 2019**

(54) **SOAP DISH**

(71) Applicant: **Jon Klieman**, Livermore, CA (US)

(72) Inventor: **Jon Klieman**, Livermore, CA (US)

(**) Term: **15 Years**

(21) Appl. No.: **29/628,908**

(22) Filed: **Dec. 8, 2017**

(51) **LOC (11) Cl.** **23-02**

(52) **U.S. Cl.**
USPC **D6/536**

(58) **Field of Classification Search**

USPC D6/536, 708.18, 529, 532, 539-540;
D7/502, 550.1, 554.2; D30/121, 128,
D30/130, 132, 133; 108/154, 155;
206/557, 823; D28/73

CPC A47K 5/03; A47K 5/02
See application file for complete search history.

(56) **References Cited**

U.S. PATENT DOCUMENTS

D351,304 S	*	10/1994	Glass	D6/536
D385,137 S	*	10/1997	von Seidel	D6/536
D599,595 S	*	9/2009	Dretzka	D6/536
D615,789 S	*	5/2010	Scott	D6/536
D619,396 S	*	7/2010	Snell	D6/536
D713,652 S	*	9/2014	Barclay	D6/536
D785,969 S	*	5/2017	Burrow	D6/536
D805,804 S	*	12/2017	Li	D6/536

* cited by examiner

Primary Examiner — Wan Laymon

Assistant Examiner — Mark Booker

(74) *Attorney, Agent, or Firm* — Gerald R. Prettyman

(57) **CLAIM**

The ornamental design for a soap dish, as shown and described.

DESCRIPTION

This application is related to a design patent application filed the same date and titled "Soap Dish."

FIG. 1 is a perspective view of a soap dish, showing my new design;

FIG. 2 is a sectional perspective view taken along lines 2-2 from FIG. 1 thereof;

FIG. 3 is a top plan view thereof;

FIG. 4 is a sectional view of a right side elevation view taken along lines 4-4 from FIG. 3 thereof;

FIG. 5 is a right side elevation view, the left side is a mirror image thereof;

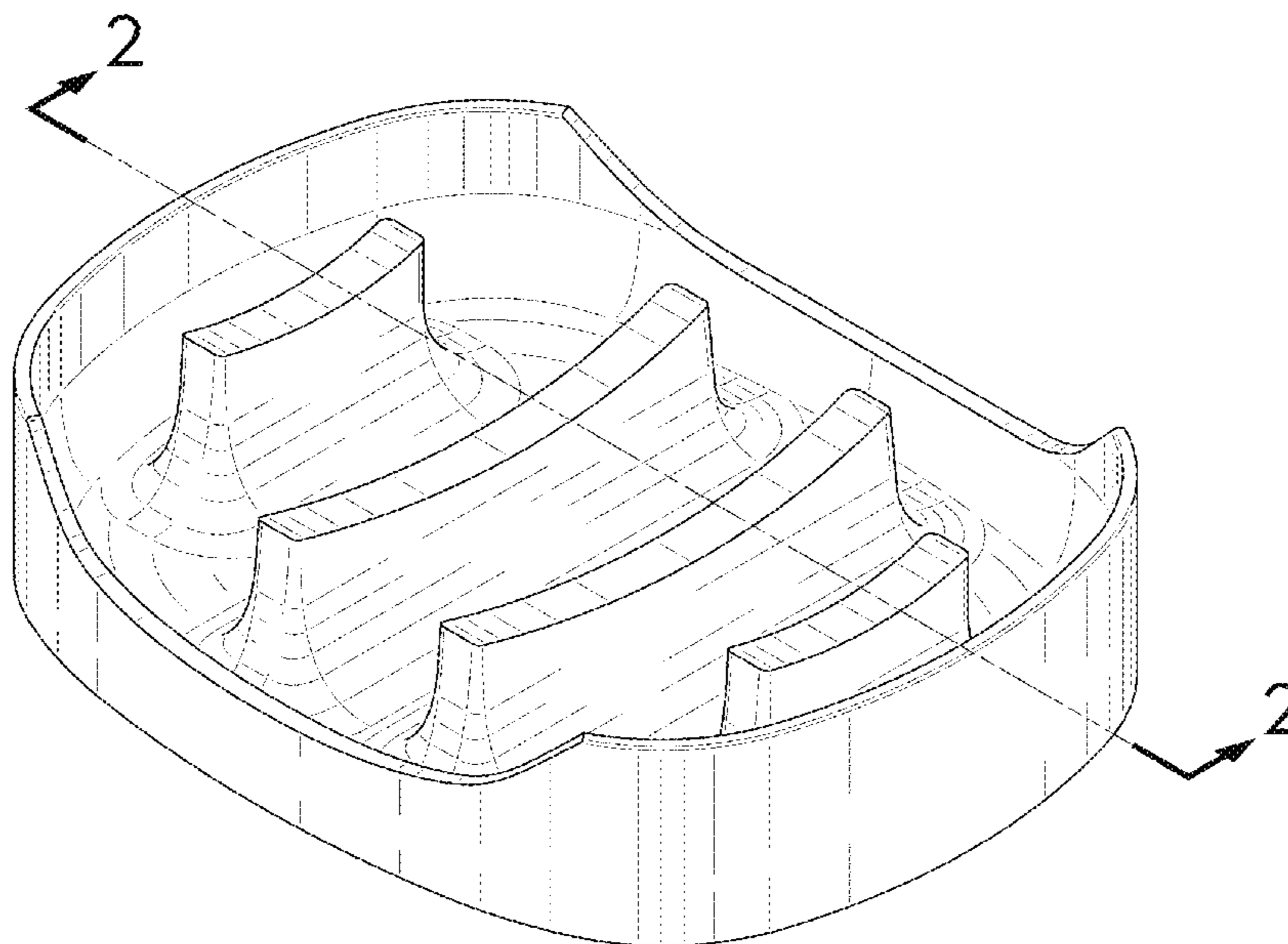
FIG. 6 is a first end elevation view, the second end view is a mirror image thereof; and,

FIG. 7 is a bottom plan view thereof.

The right side elevation view is a mirror image of the left side.

The second end view is a mirror image of the first end view.

1 Claim, 5 Drawing Sheets



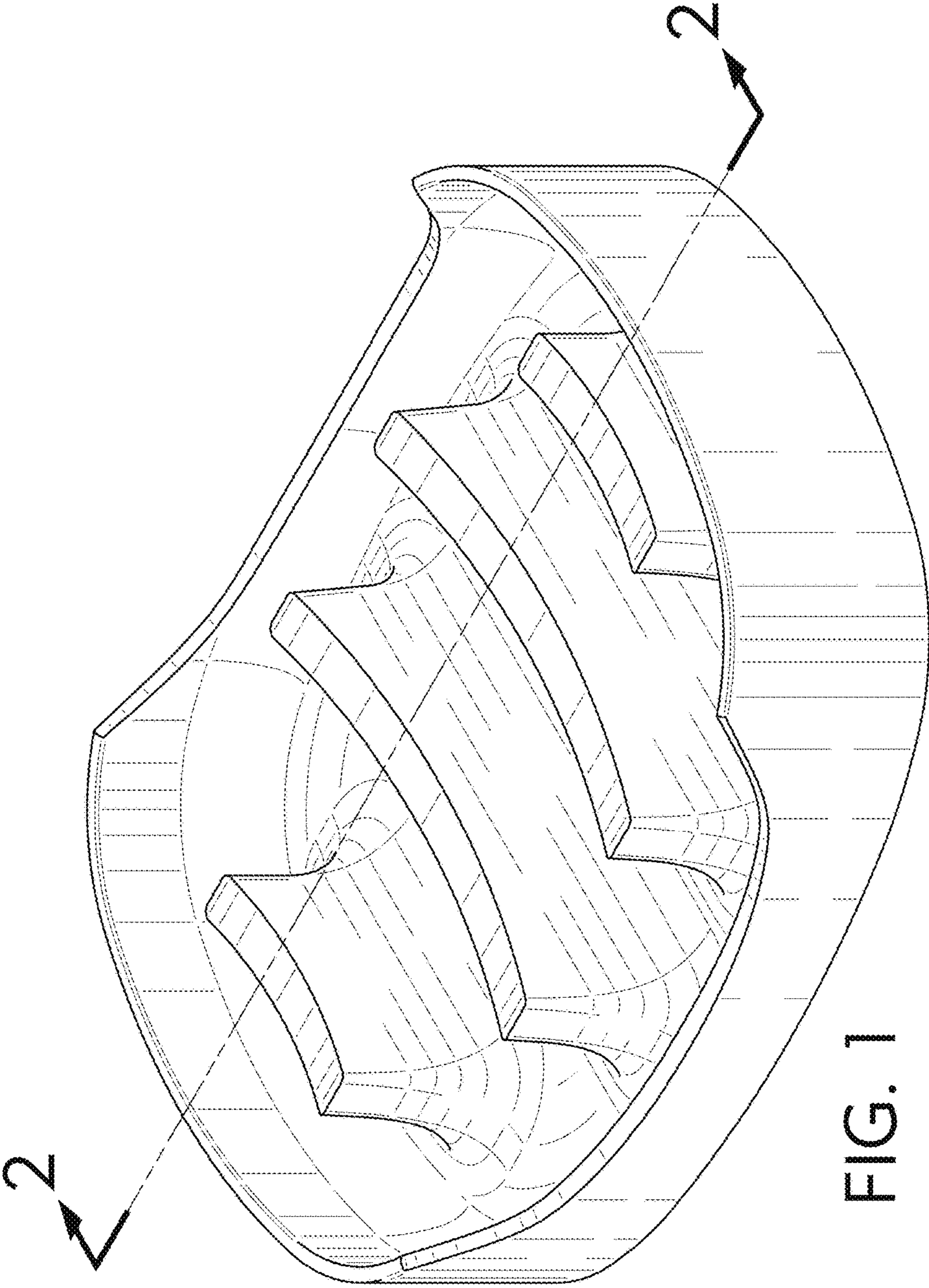


FIG. 1

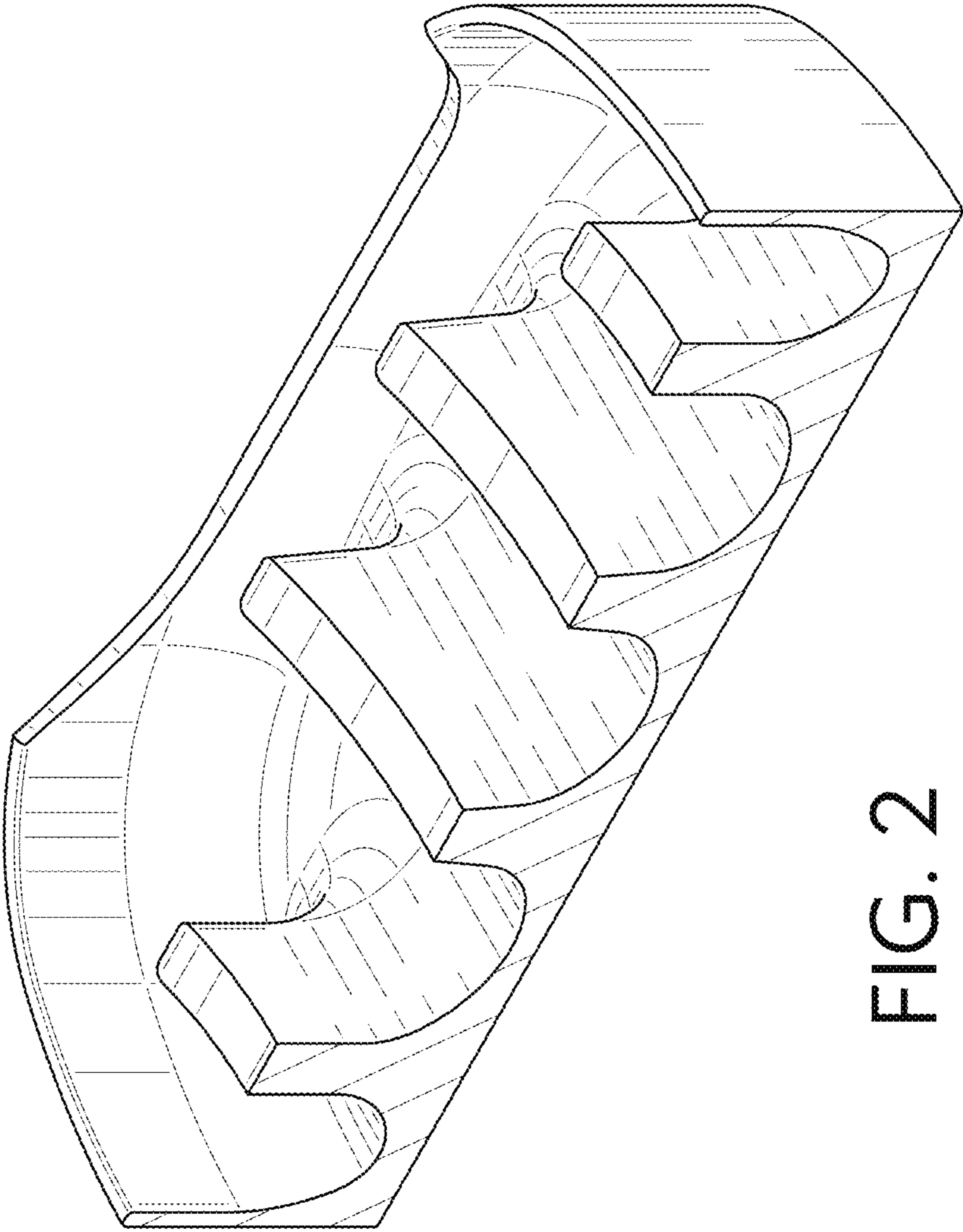


FIG. 2

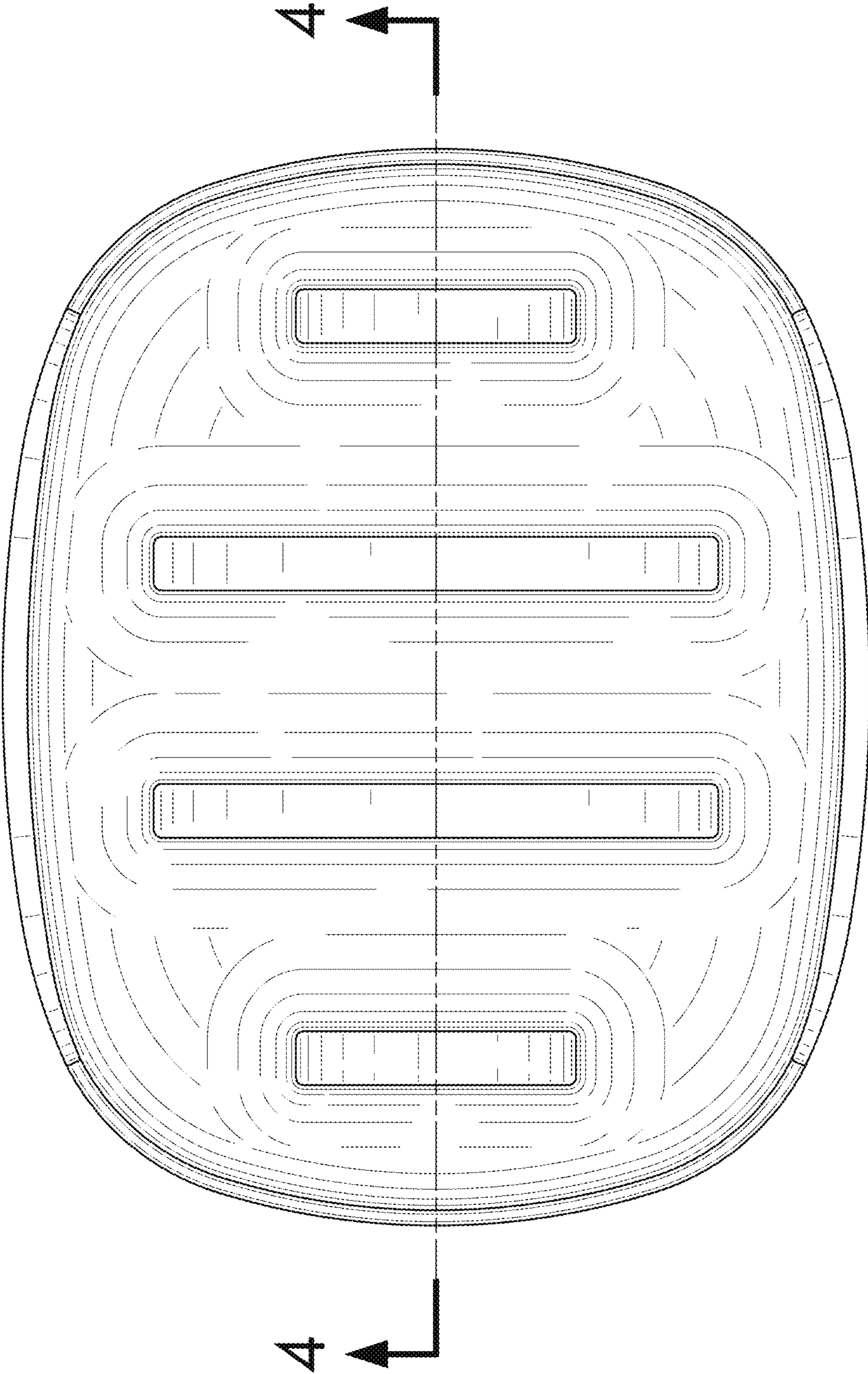


FIG. 3

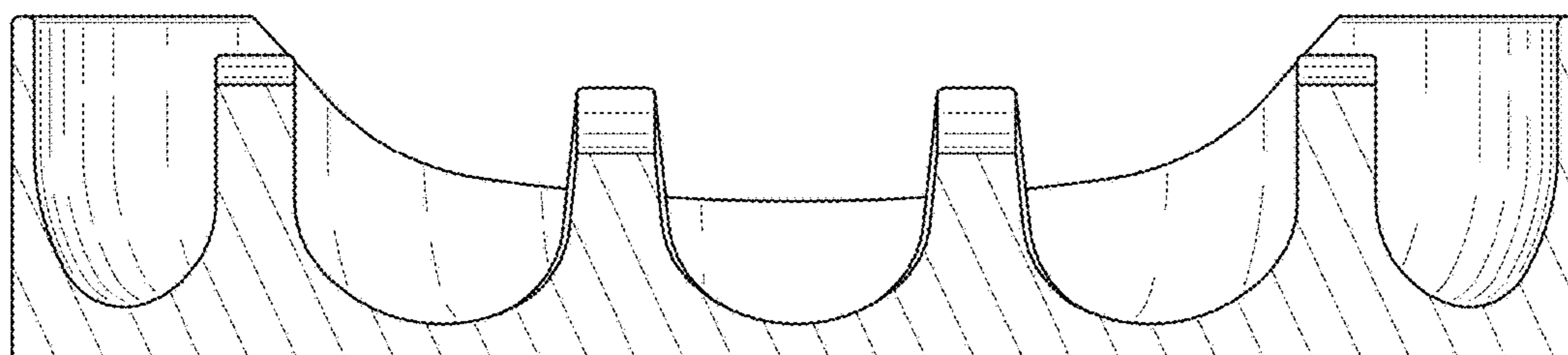


FIG. 4

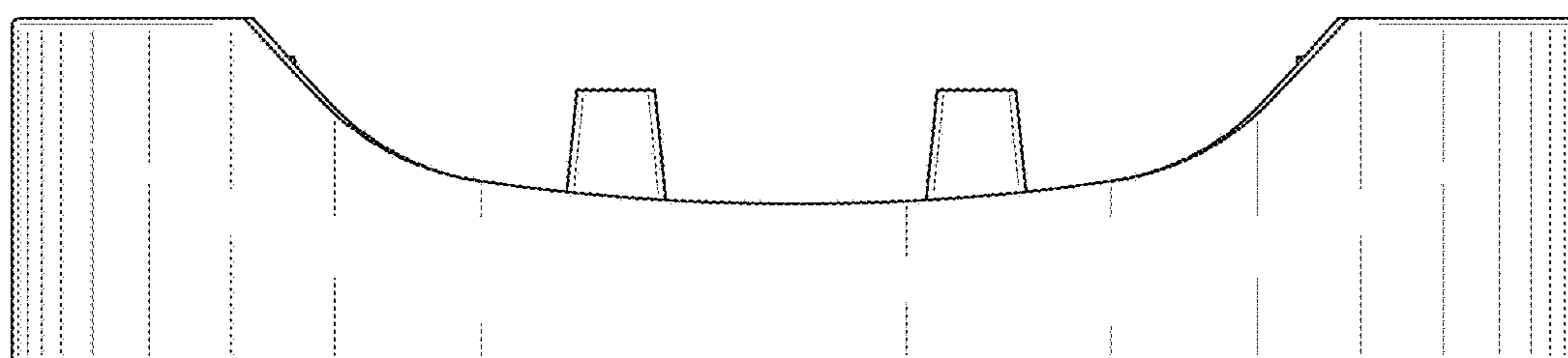


FIG. 5

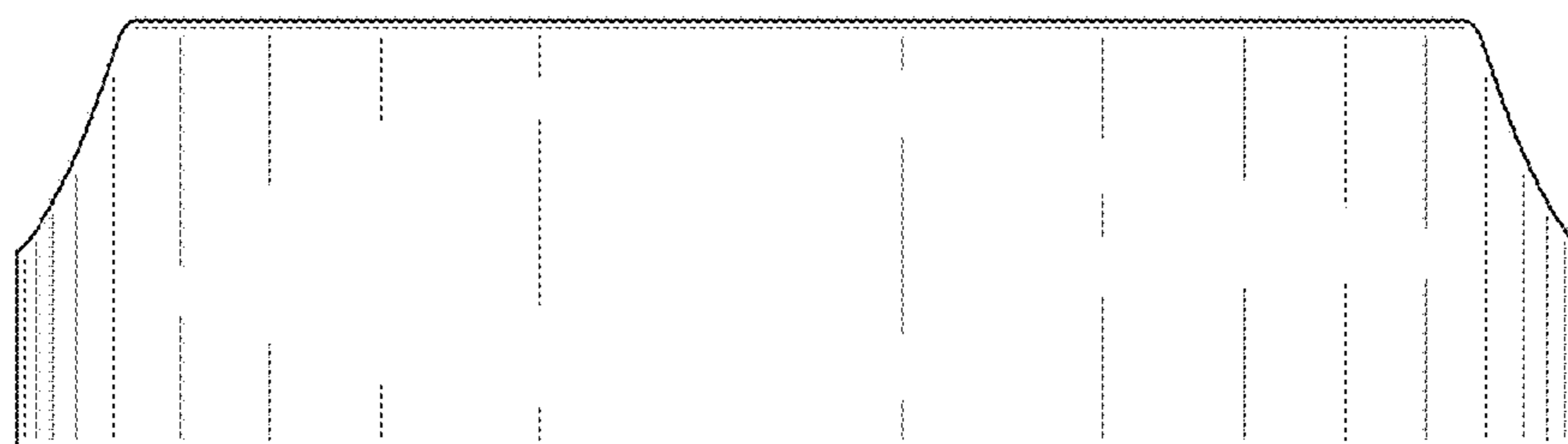


FIG. 6

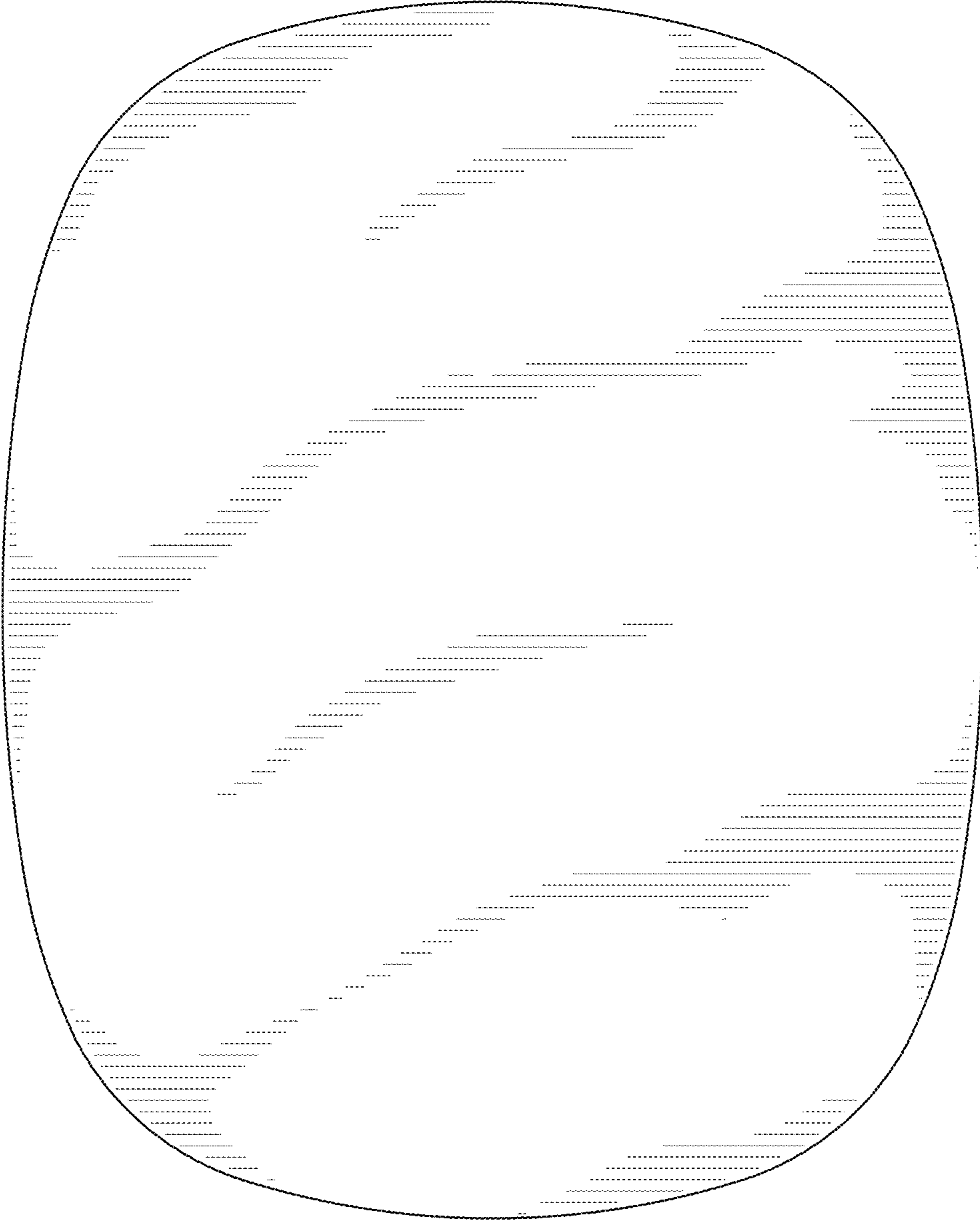


FIG. 7