



US00D836942S

(12) **United States Design Patent**
Evans et al.

(10) **Patent No.:** **US D836,942 S**
(45) **Date of Patent:** **** Jan. 1, 2019**

(54) **SINK ORGANIZER**

D762,934 S * 8/2016 Evans D32/55
2010/0176017 A1* 7/2010 Yang A47J 47/20
206/373

(71) Applicant: **Joseph Joseph Ltd.**, London (GB)

(72) Inventors: **David Evans**, Cambridge (GB); **Ashley May**, Cambridge (GB)

* cited by examiner

Primary Examiner — Wan Laymon

(73) Assignee: **JOSEPH JOSEPH LTD.**, London (GB)

Assistant Examiner — Mark Booker

(74) *Attorney, Agent, or Firm* — Millen, White, Zelano & Branigan, PC

(**) Term: **15 Years**

(21) Appl. No.: **29/603,377**

(57) **CLAIM**

(22) Filed: **May 9, 2017**

The ornamental design for a sink organizer, as shown and described.

(30) **Foreign Application Priority Data**

Nov. 28, 2016 (EM) 003490242-0006

(51) **LOC (11) Cl.** **07-05**

(52) **U.S. Cl.**
USPC **D6/525**

(58) **Field of Classification Search**
USPC D6/525, 510, 524, 553, 566, 536–537,
D6/540, 567; D3/304, 306; D30/133;
141/100; D32/55

CPC A47J 47/16; A47J 47/20; A47K 10/04;
A47L 19/02; A47L 17/02; E03C 1/186

See application file for complete search history.

(56) **References Cited**

U.S. PATENT DOCUMENTS

D635,383 S * 4/2011 Yang D6/525
D731,728 S * 6/2015 Evans D32/55

DESCRIPTION

FIG. 1 is a top perspective view of the sink organizer showing our new design.

FIG. 2 is a front view thereof.

FIG. 3 is a back view thereof.

FIG. 4 is a side view thereof.

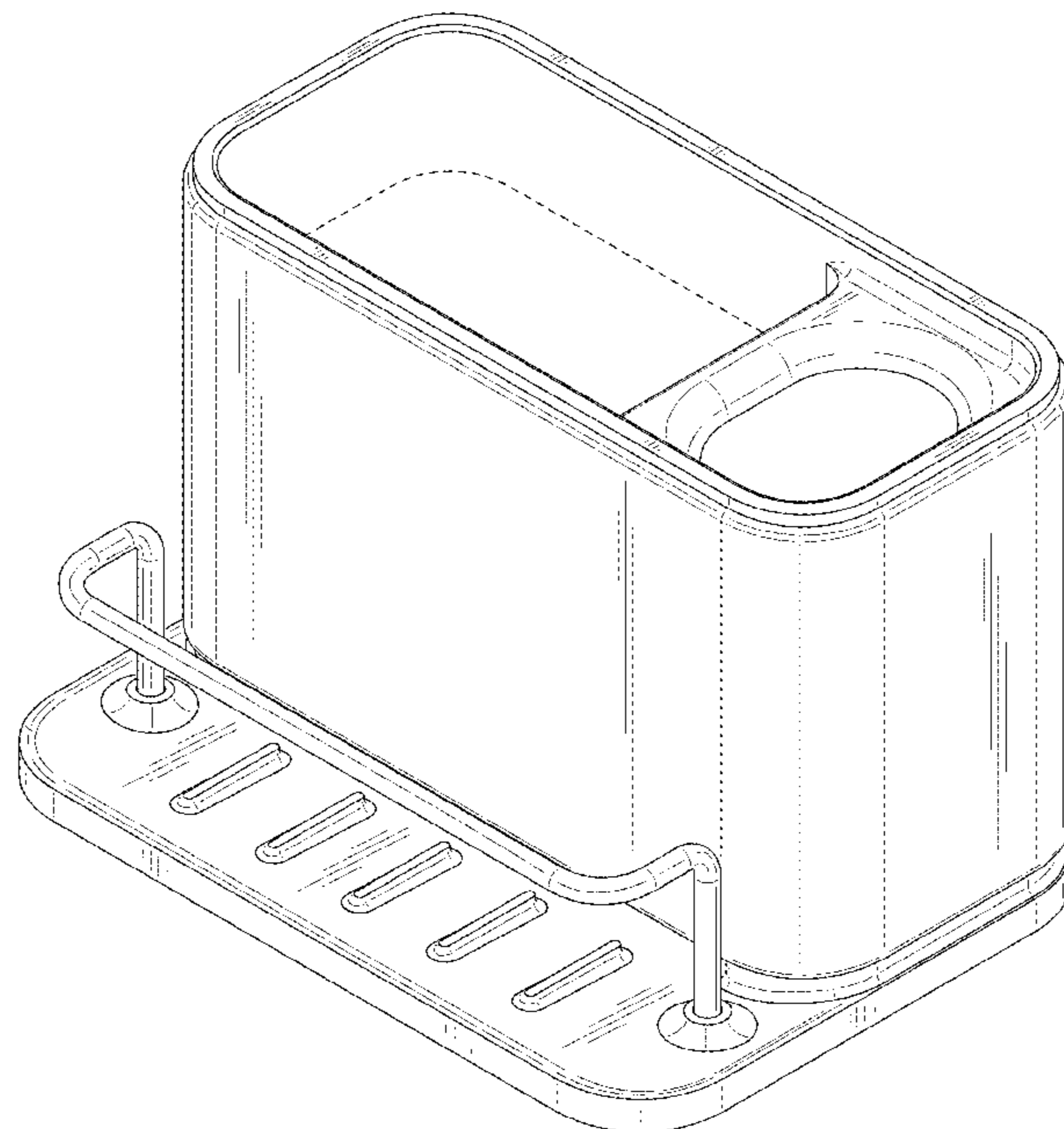
FIG. 5 is another side view thereof.

FIG. 6 is a top view thereof; and,

FIG. 7 is a bottom view thereof.

The broken lines in the drawings illustrate portions of the sink organizer which form no part of the claimed design.

1 Claim, 7 Drawing Sheets



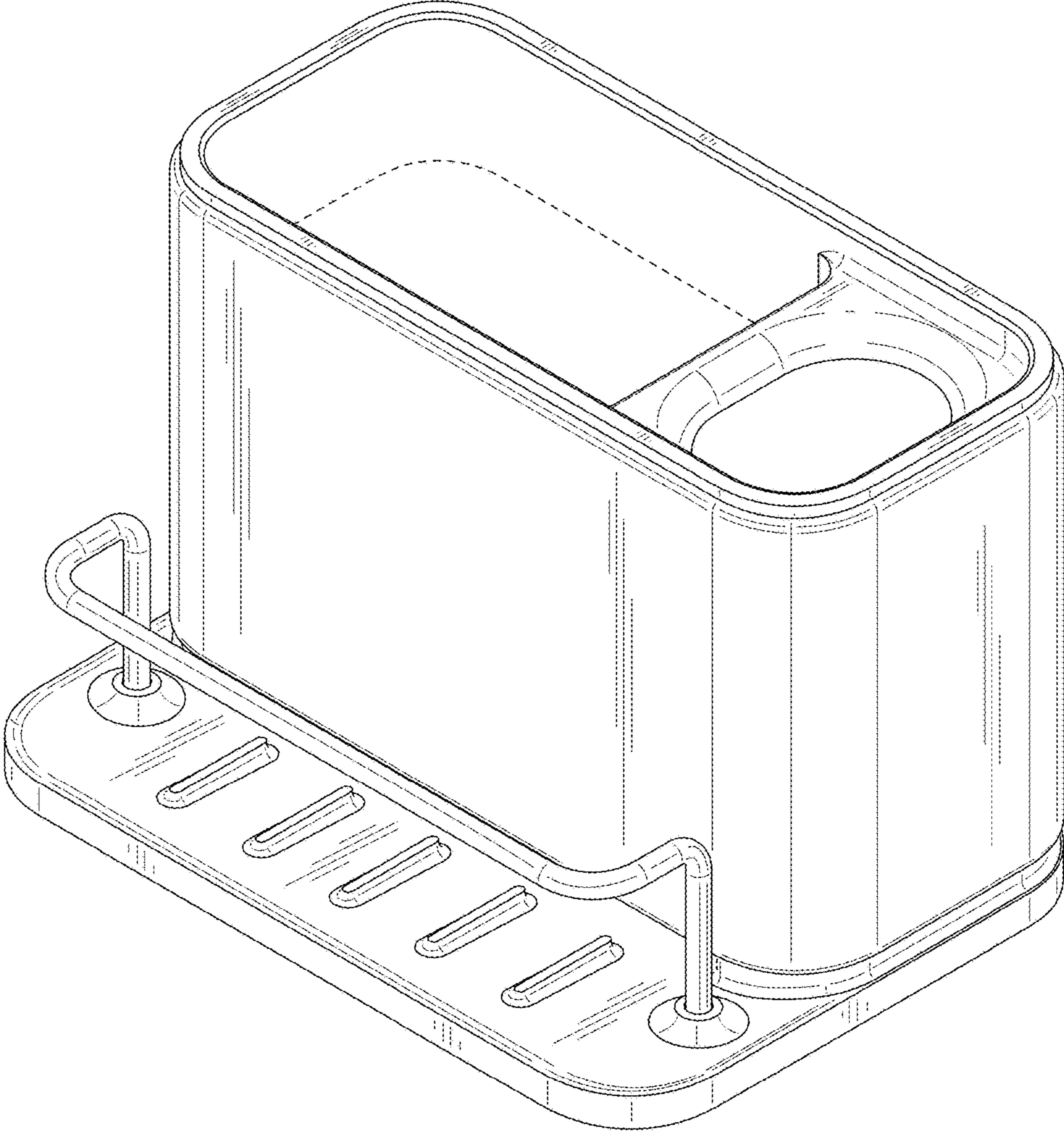


FIG. 1

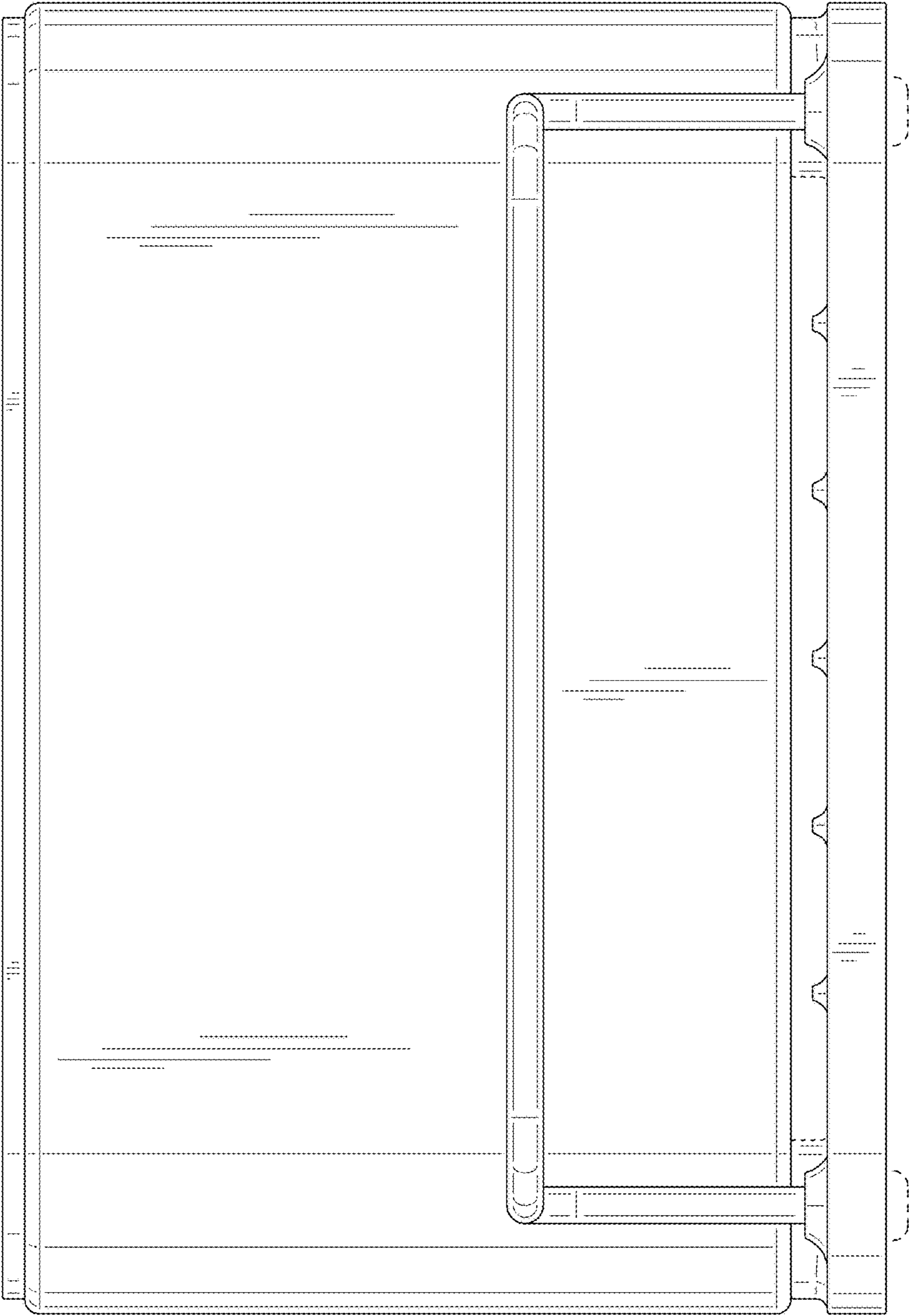


FIG. 2

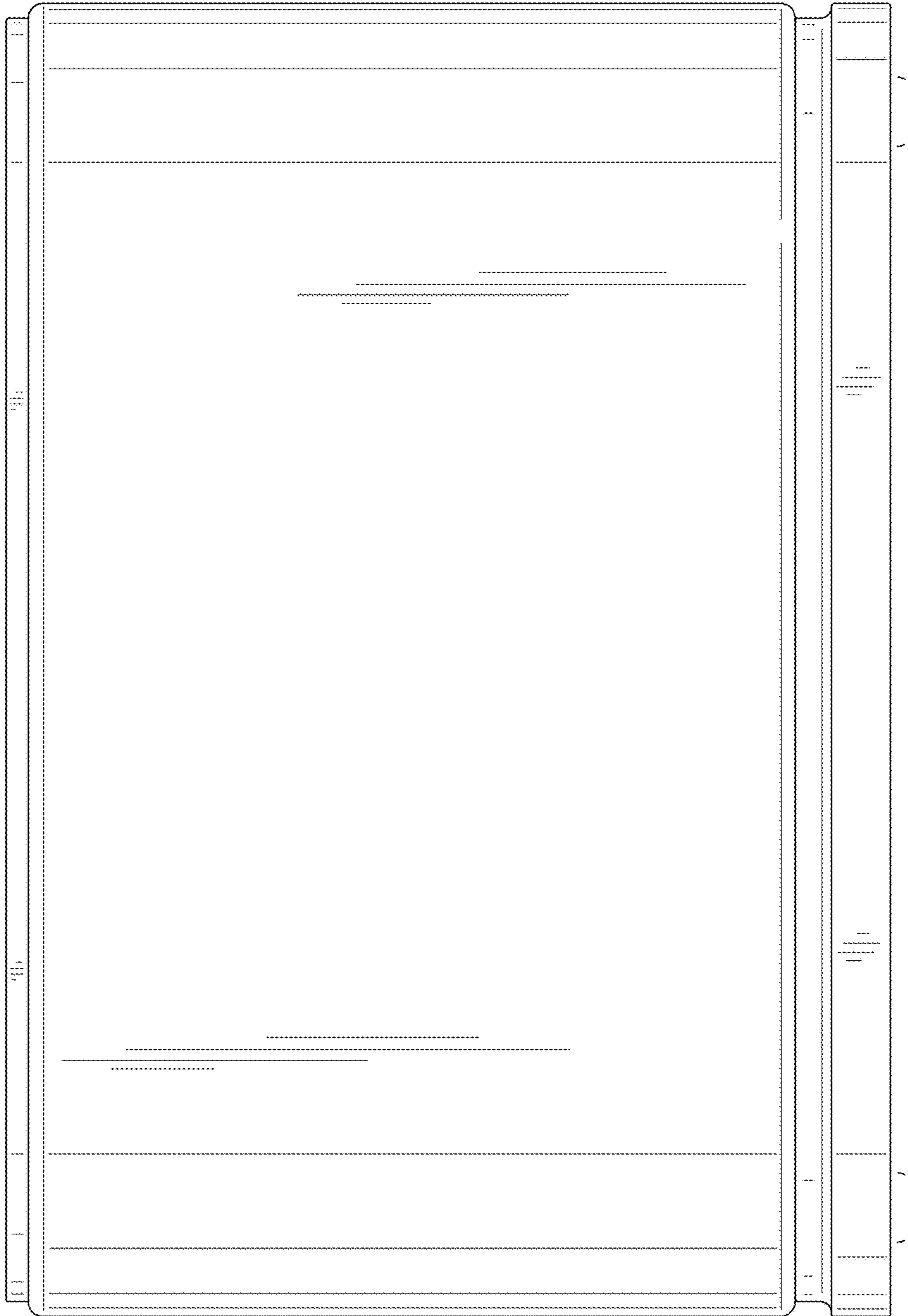


FIG. 3

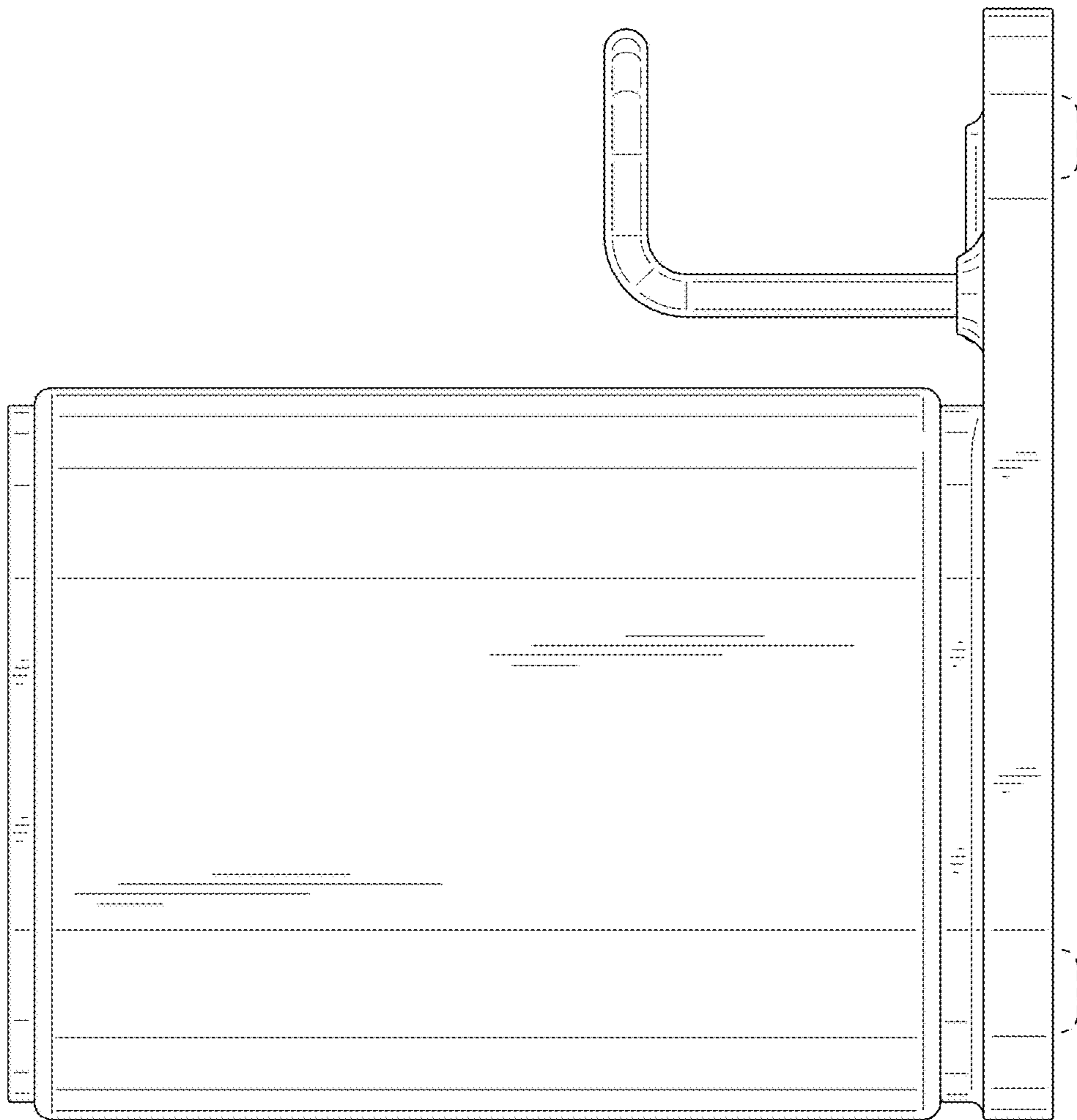


FIG. 4

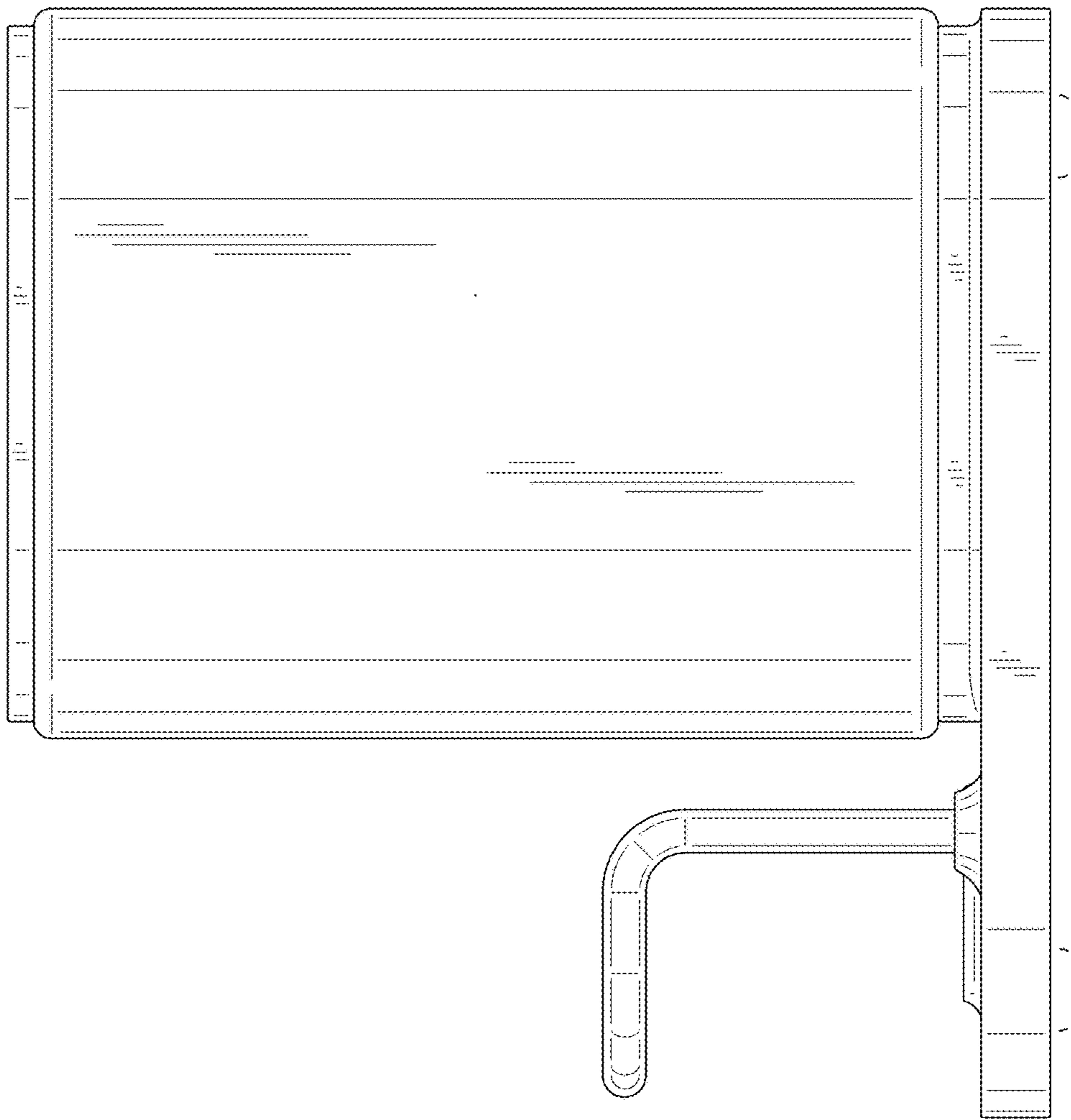


FIG. 5

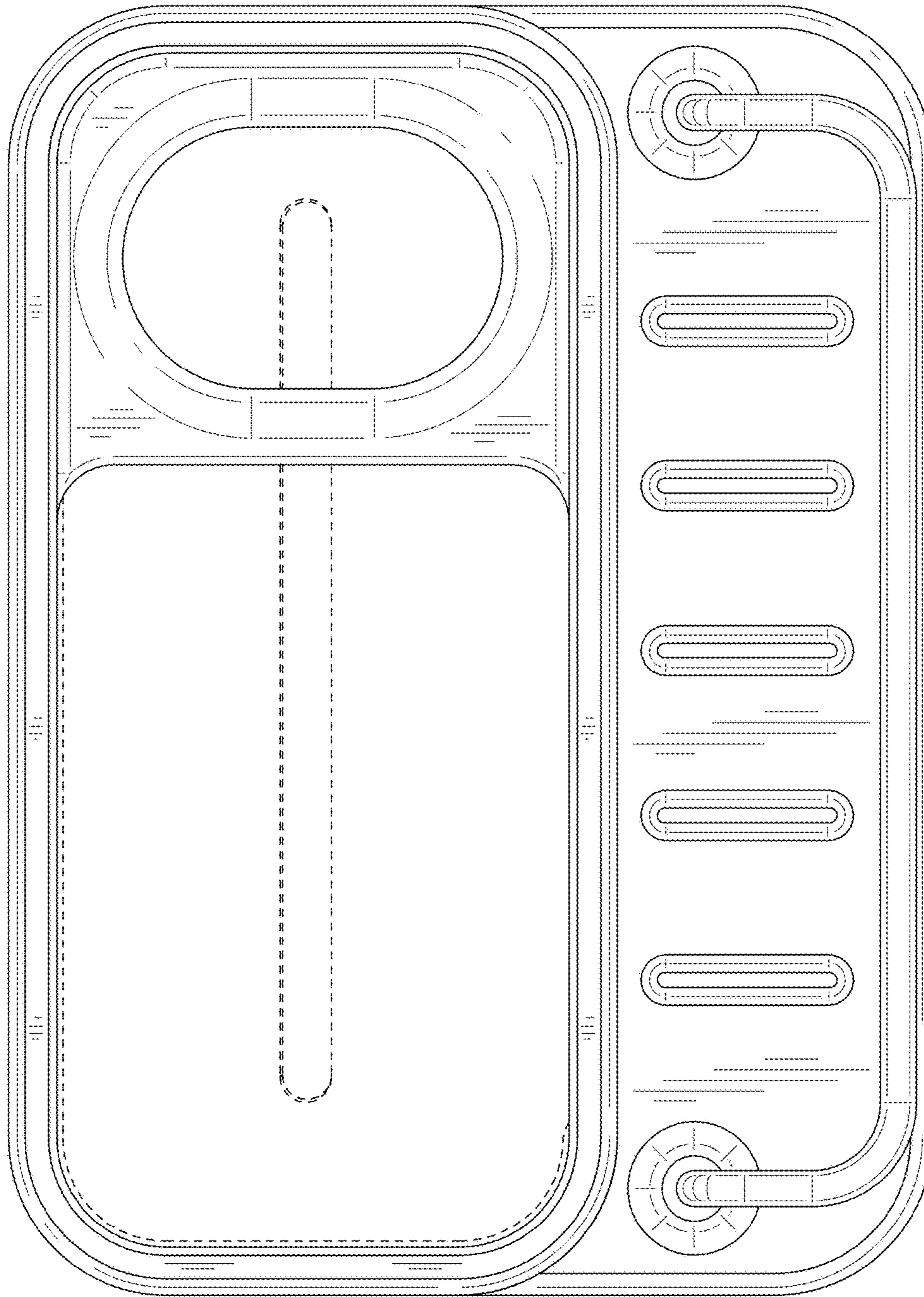


FIG. 6

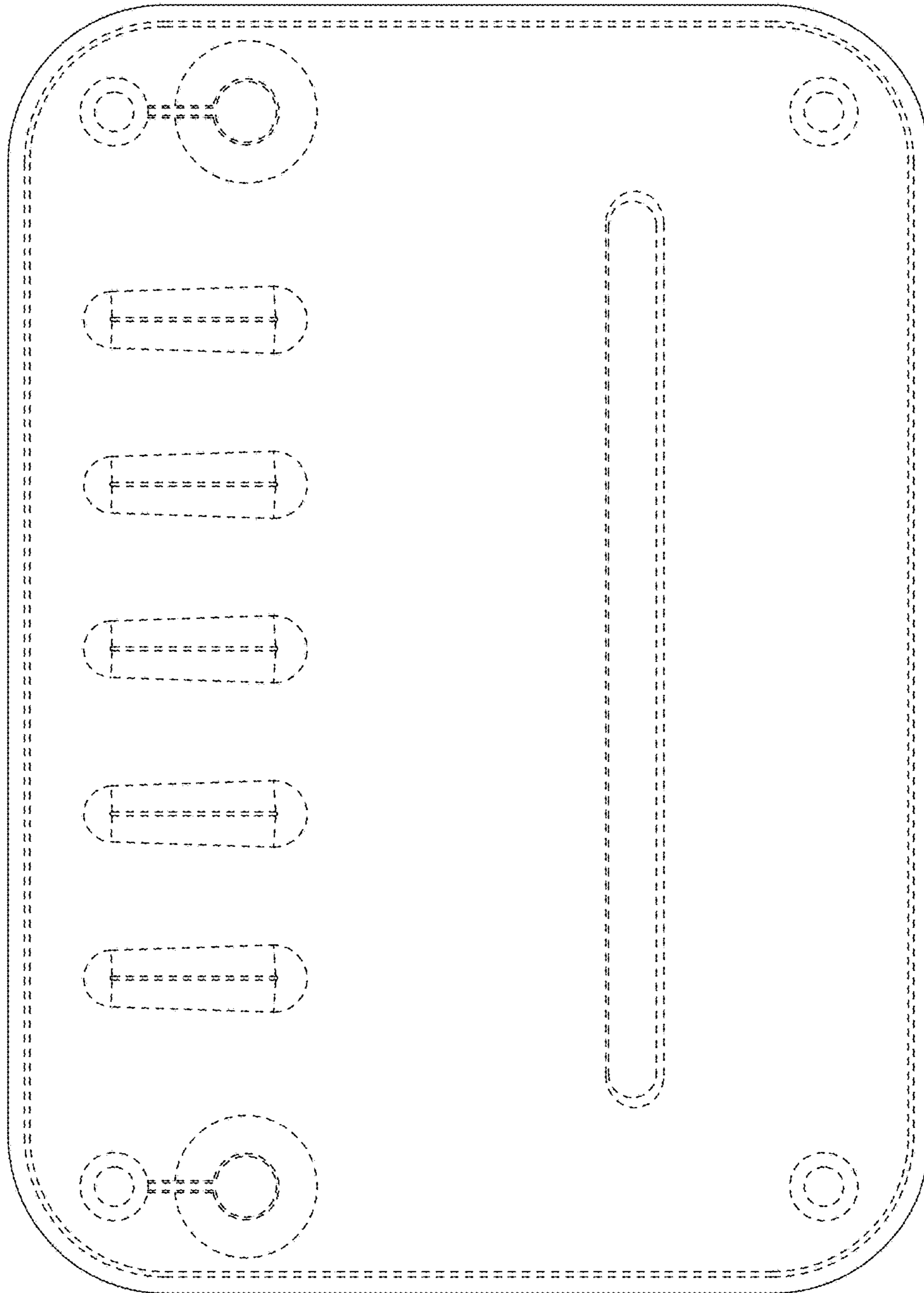


FIG. 7