



US00D836940S

(12) **United States Design Patent**
Pena et al.

(10) **Patent No.:** **US D836,940 S**
(45) **Date of Patent:** **** Jan. 1, 2019**

- (54) **PRODUCT DISPLAY PUSHER DEVICE**
- (71) Applicant: **TracFone Wireless, Inc.**, Miami, FL (US)
- (72) Inventors: **Elvis Pena**, Miami, FL (US); **Edith Wollin**, Miami, FL (US); **Maria Echevarria**, Miami, FL (US)
- (73) Assignee: **TracFone Wireless, Inc.**, Miami, FL (US)
- (**) Term: **15 Years**
- (21) Appl. No.: **29/602,136**
- (22) Filed: **Apr. 28, 2017**
- (51) **LOC (11) Cl.** **20-02**
- (52) **U.S. Cl.**
USPC **D6/515**
- (58) **Field of Classification Search**
USPC D6/515, 517; 206/730, 734, 327, 703;
221/282-283, 191; 222/173, 628;
235/439, 441
CPC A47F 1/10; A47F 2001/103; A47F 1/126;
A47F 5/0025; A47F 3/14
See application file for complete search history.

(56) **References Cited**

U.S. PATENT DOCUMENTS

- D265,615 S * 8/1982 Virte D30/135
- D315,493 S * 3/1991 Cleland D6/574
- 5,076,466 A * 12/1991 Petterson A47K 10/427
221/46
- D348,368 S * 7/1994 Hazekamp D6/518
- D386,637 S * 11/1997 St-Pierre D6/515
- D397,893 S * 9/1998 Helmsderfer D6/555
- D408,190 S * 4/1999 Helmsderfer D6/555
- D412,258 S * 7/1999 Helmsderfer D6/555
- D412,634 S * 8/1999 Helmsderfer D6/555
- D431,744 S * 10/2000 Ali D6/567

- D438,742 S * 3/2001 Ali D6/567
- 6,769,552 B1 * 8/2004 Thalenfeld A47F 1/126
211/183
- D503,231 S * 3/2005 Daugherty D24/128
- D573,826 S * 7/2008 Rubin D6/546
- D611,748 S * 3/2010 Stephens D6/567
- 7,690,519 B2 * 4/2010 Kahl A47F 1/12
211/126.1
- 8,413,826 B2 * 4/2013 Schneider A47F 3/14
211/126.1
- D750,603 S * 3/2016 Venghaus D14/238
- 2004/0000528 A1 * 1/2004 Nagel A47F 1/126
211/59.3
- 2004/0004046 A1 * 1/2004 Primiano A47F 1/12
211/59.2
- 2007/0251901 A1 * 11/2007 Werner A47B 45/00
211/64

(Continued)

Primary Examiner — David G Muller
Assistant Examiner — Nathan M Johnston
(74) *Attorney, Agent, or Firm* — Baker & Hostetler LLP

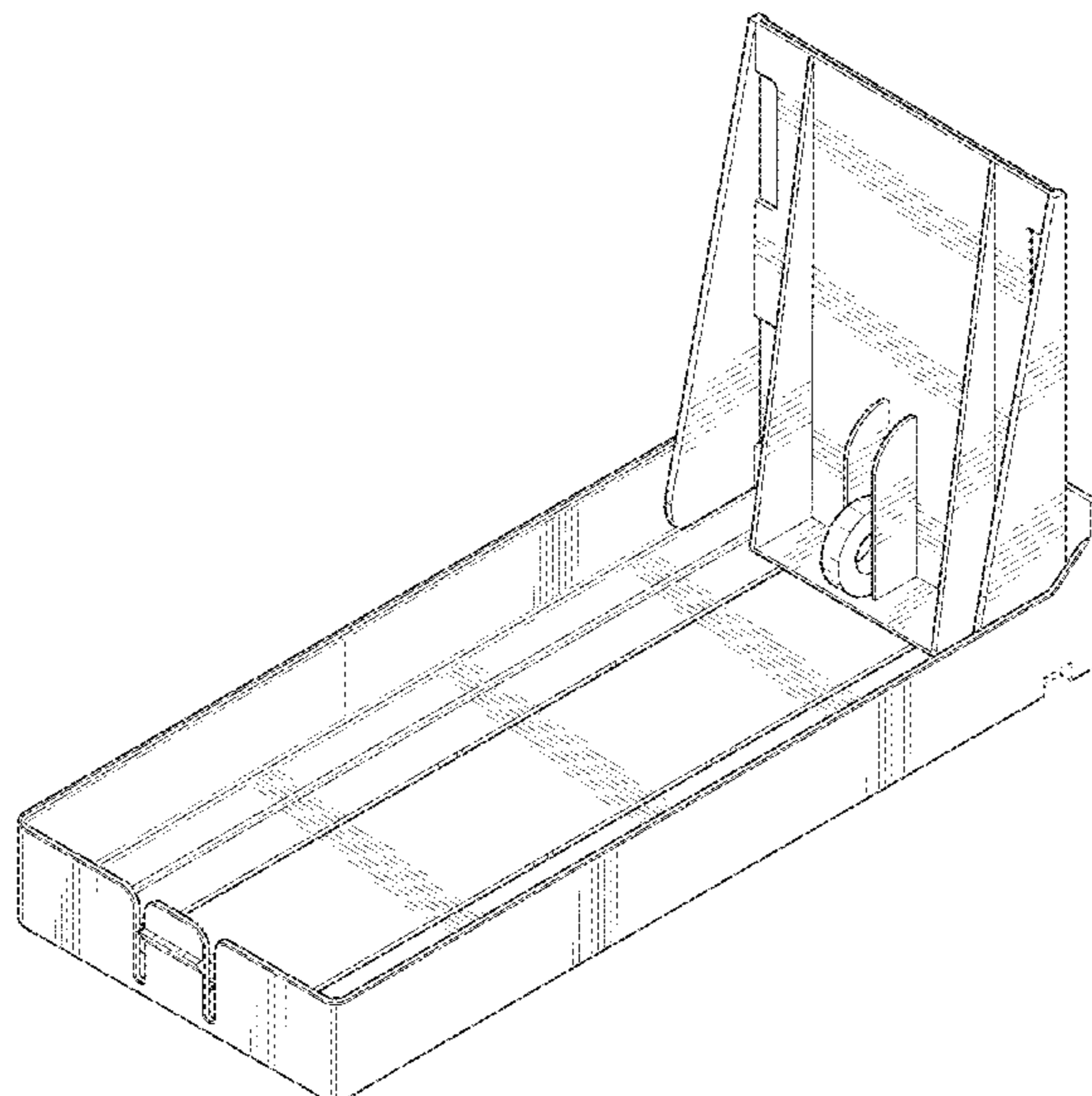
(57) **CLAIM**

We claim the ornamental design for a product display pusher device, as shown and described.

DESCRIPTION

FIG. 1 is a left front side perspective view of the product display pusher device showing our new design; FIG. 2 is a rear right side perspective view thereof; FIG. 3 is a left side elevation view thereof; FIG. 4 is a right side elevation view thereof; FIG. 5 is a rear elevation view thereof; FIG. 6 is a front elevation view thereof; FIG. 7 is a top plan view thereof; and, FIG. 8 is a bottom plan view thereof. The subject matter shown in dashed lines, and any surfaces of the design not shown, including interior surfaces, form no part of the claimed invention.

1 Claim, 8 Drawing Sheets



(56)

References Cited

U.S. PATENT DOCUMENTS

2009/0039040 A1* 2/2009 Johnson A47F 1/126
211/120
2010/0200526 A1* 8/2010 Barkdoll A47F 1/126
211/59.3
2014/0112752 A1* 4/2014 Hardy A47F 1/126
414/800

* cited by examiner

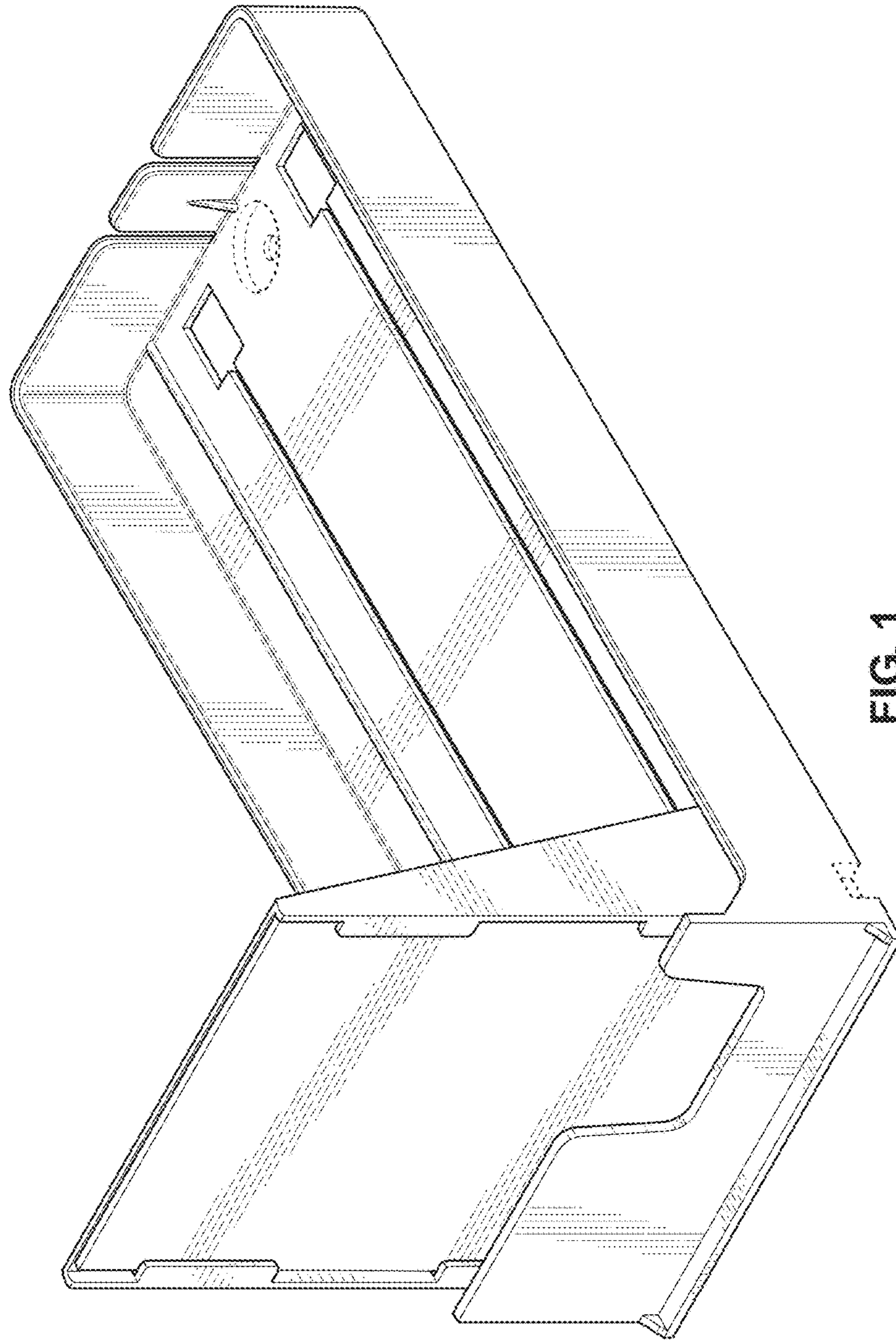


FIG. 1

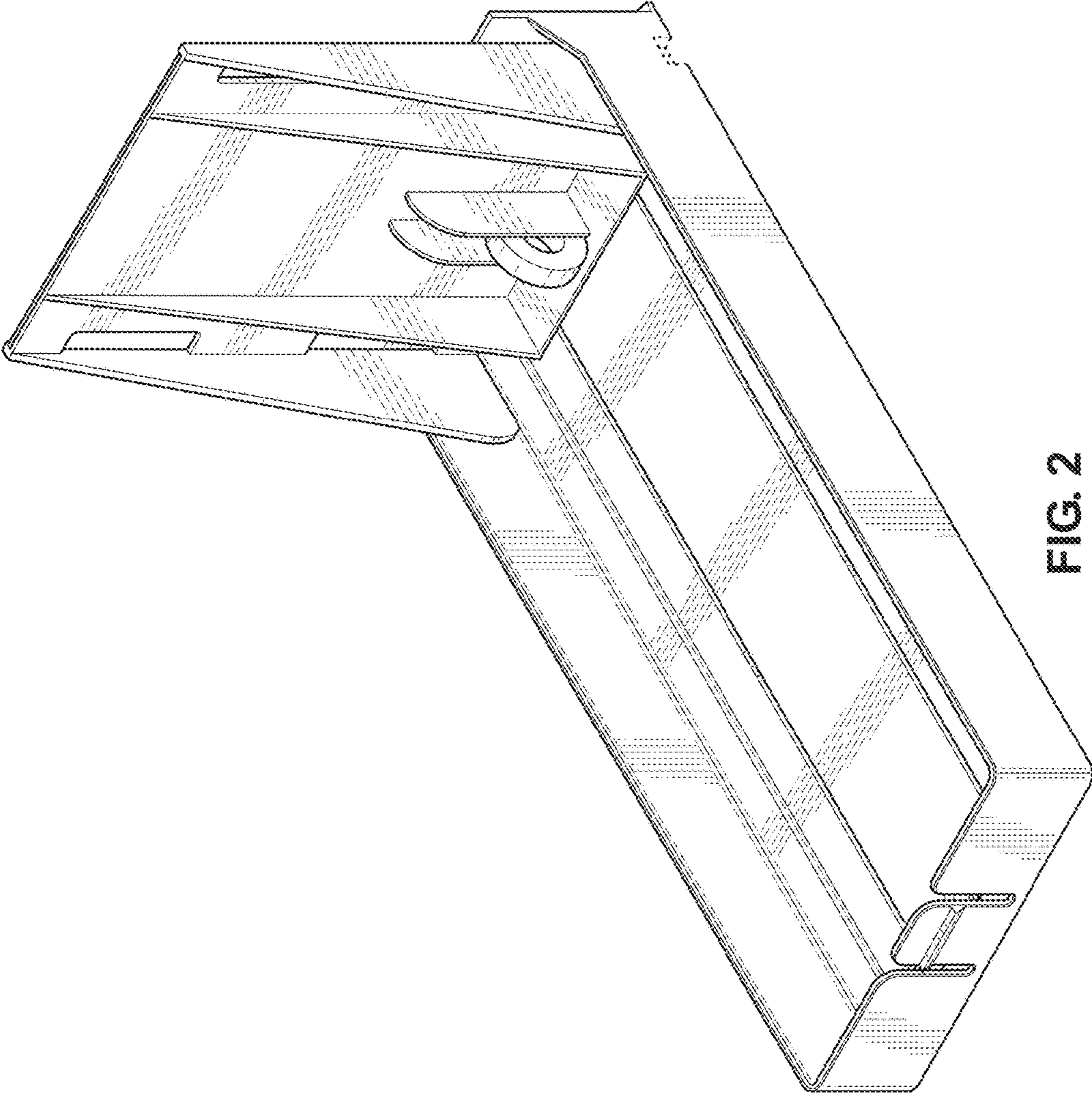


FIG. 2

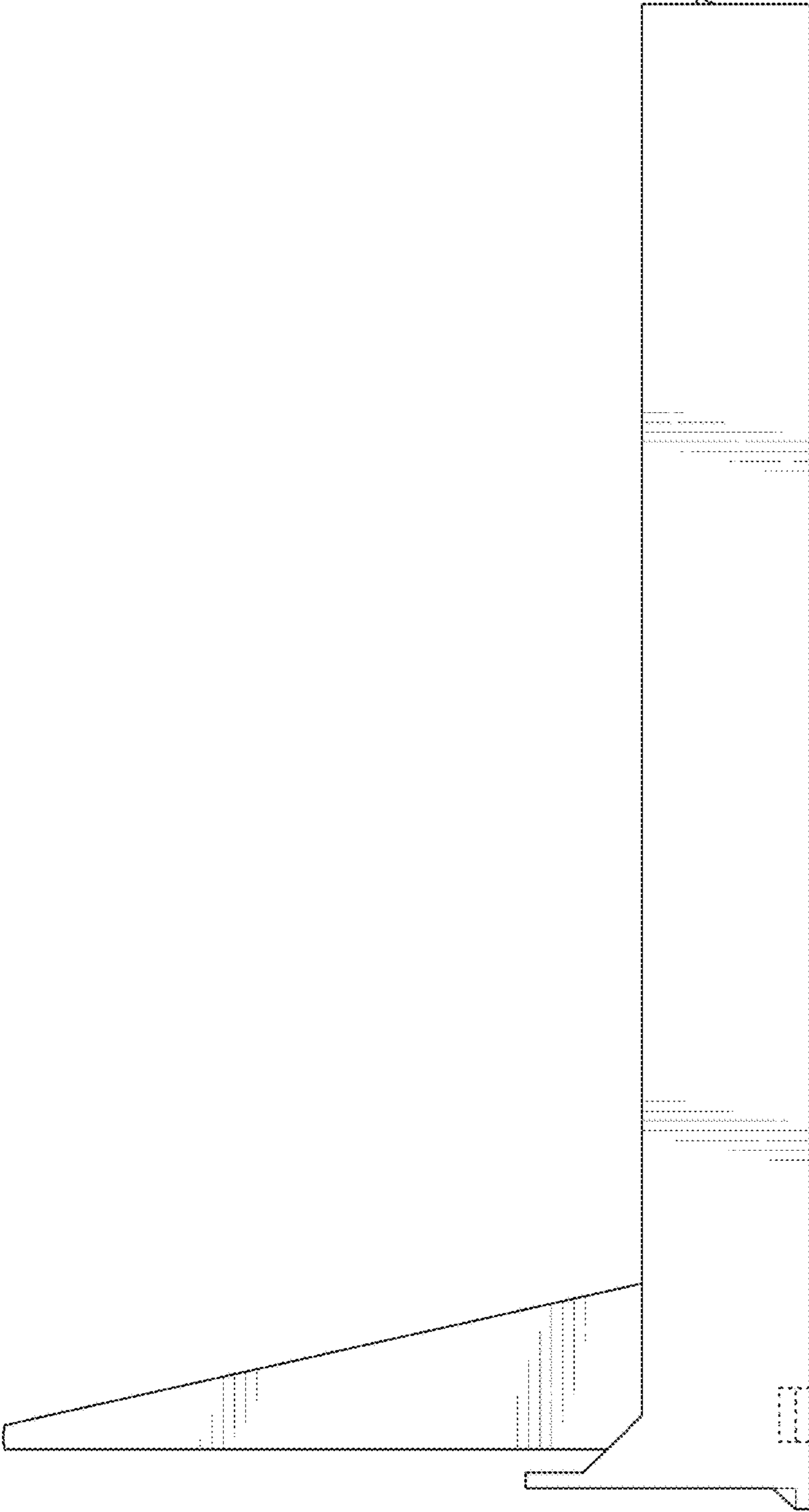


FIG. 3



FIG. 4

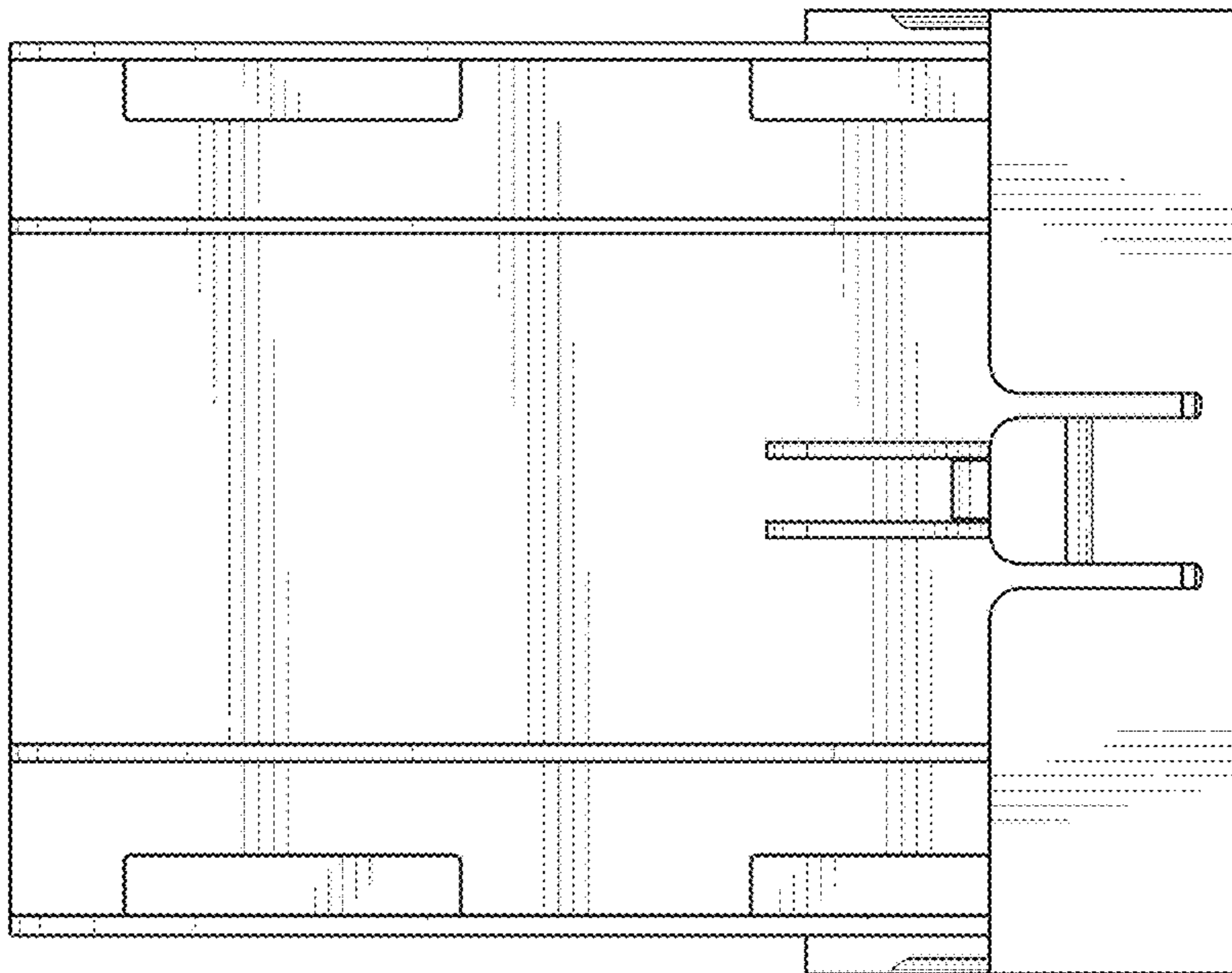


FIG. 5

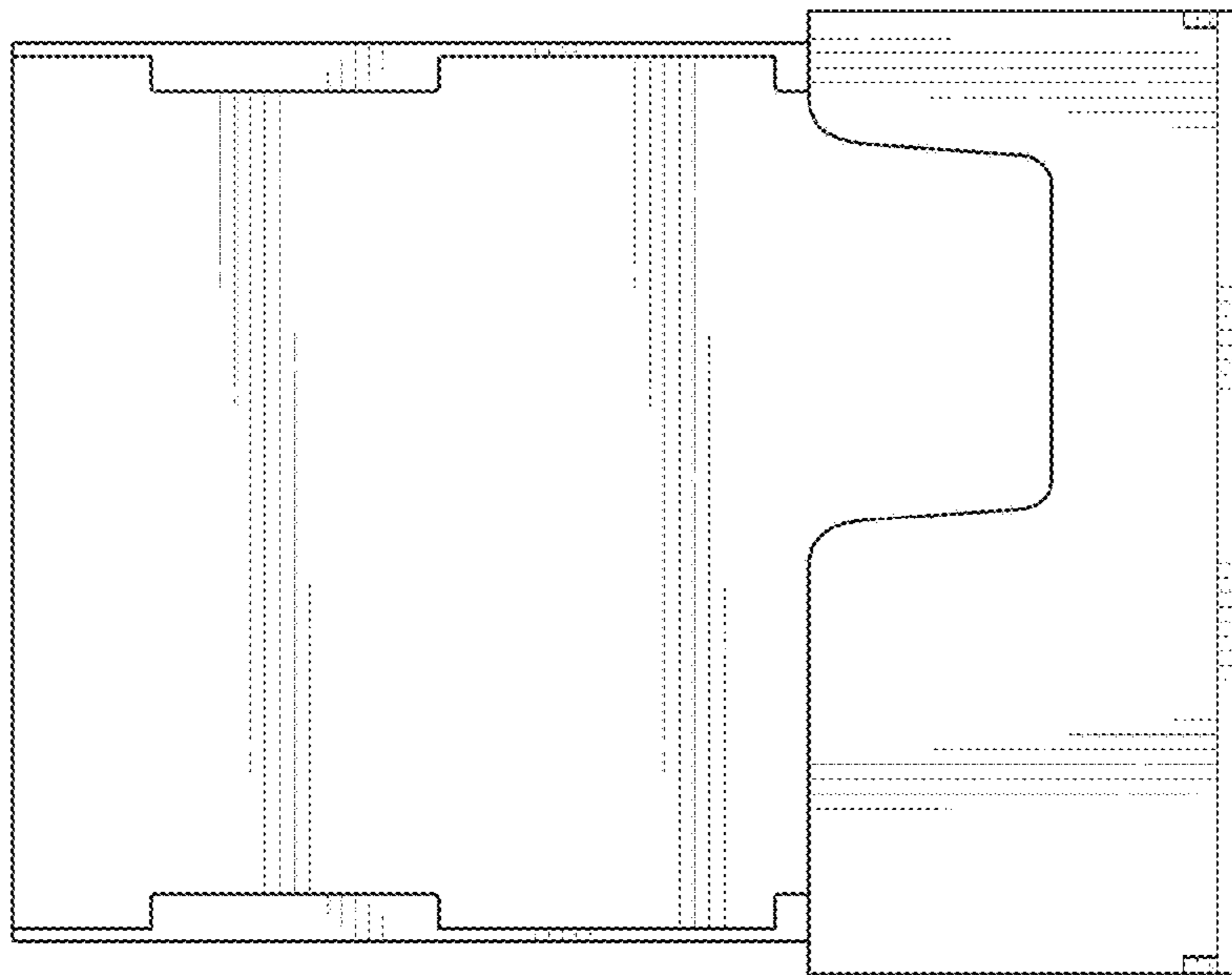


FIG. 6

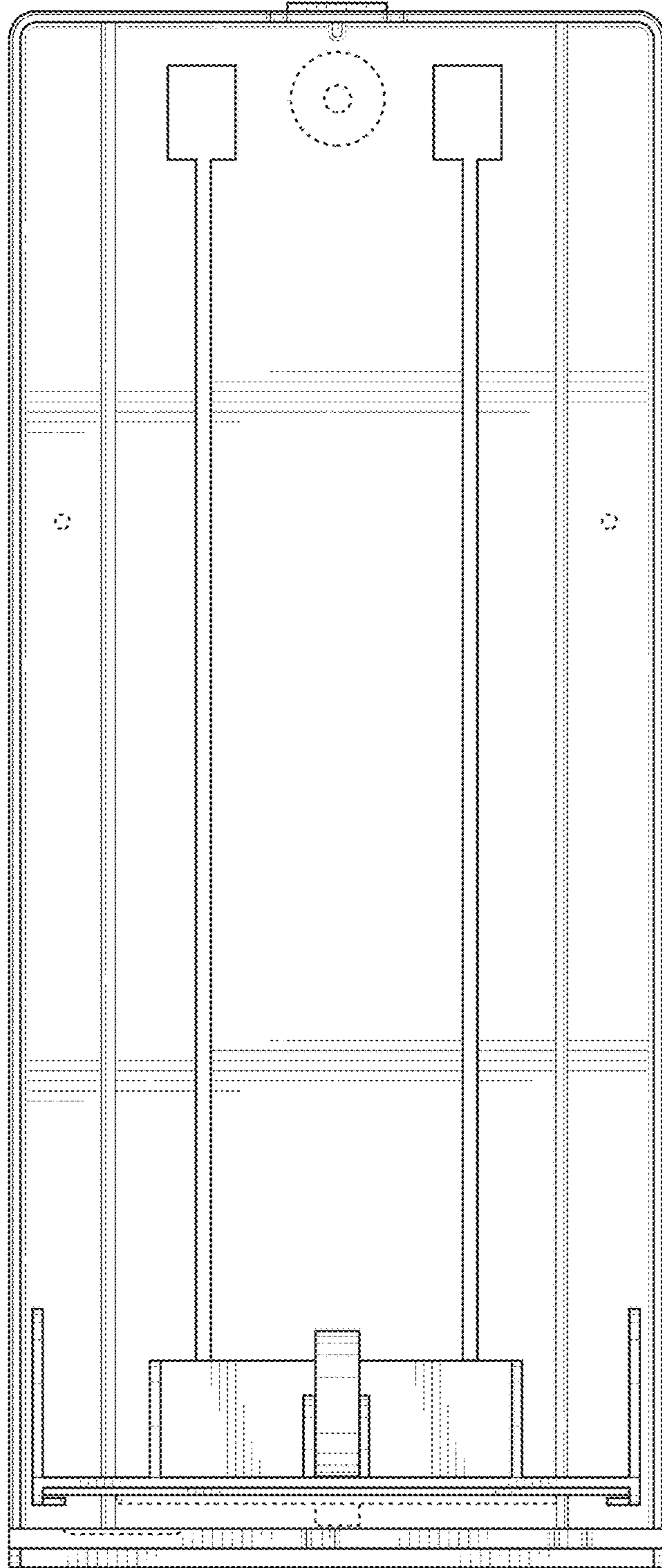


FIG. 7

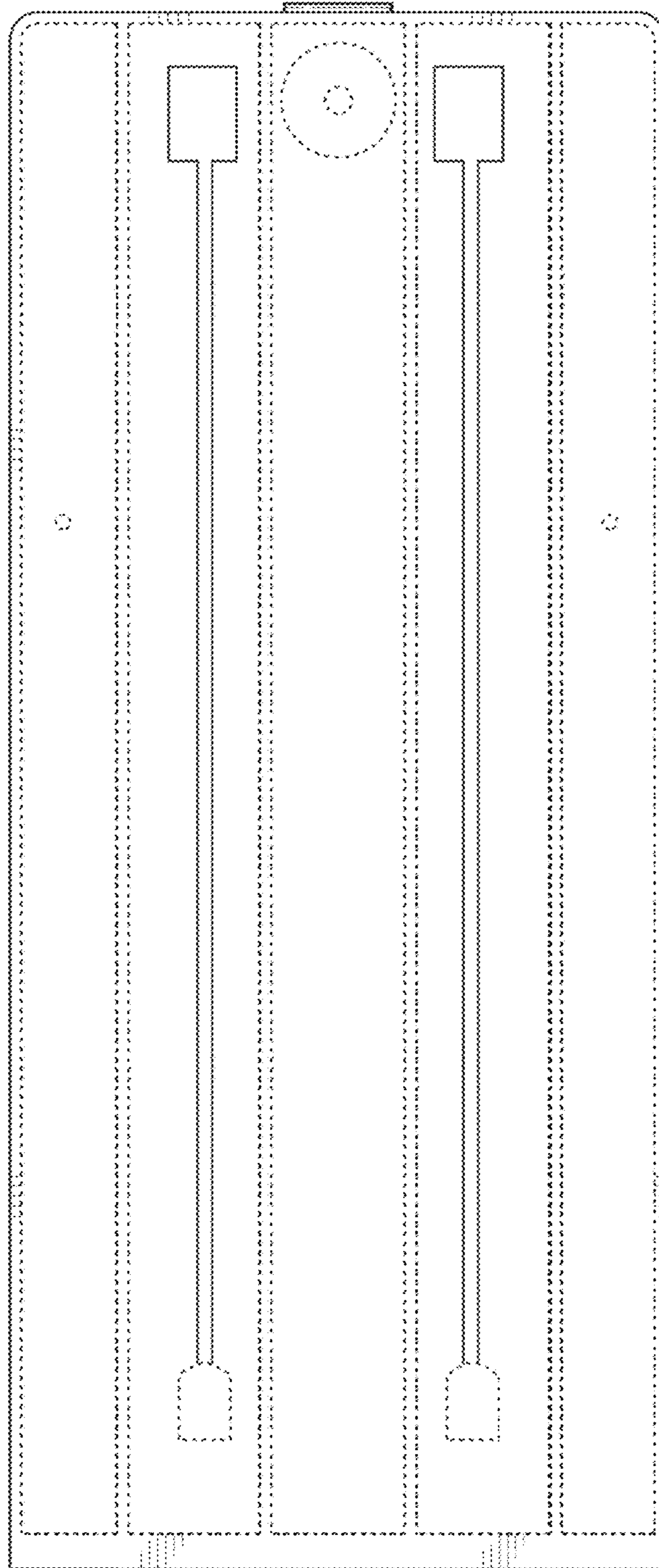


FIG. 8