



US00D836939S

(12) **United States Design Patent**  
**Anfossi**

(10) **Patent No.:** **US D836,939 S**  
(45) **Date of Patent:** **\*\* Jan. 1, 2019**

(54) **DISPENSER**

(71) Applicant: **CASCADES CANADA ULC**,  
Montreal (CA)

(72) Inventor: **Alessandro Anfossi**, Caponago (IT)

(73) Assignee: **CASCADES CANADA ULC**,  
Montreal (CA)

(\*\*) Term: **15 Years**

(21) Appl. No.: **29/602,981**

(22) Filed: **May 5, 2017**

(51) **LOC (11) Cl.** ..... **09-01**

(52) **U.S. Cl.**  
USPC ..... **D6/512**

(58) **Field of Classification Search**  
USPC ..... D6/512, 515-516, 517, 518, 519-523;  
D19/67, 134; 206/225, 233, 389, 391,  
206/205, 210, 216, 395, 494, 581, 812;  
211/13.1, 45; 222/80, 101, 173, 179.5,  
222/180, 575; 221/26, 33, 43, 61,  
221/282-283, 36, 45, 46, 47, 48, 52, 199,  
221/255, 259, 305, 309; 242/270, 590;  
248/309.1, 309.2, 905; 225/93, 106;  
D3/201, 304, 315; D7/601, 602, 631;  
D9/414, 424, 430, 431, 499, 730, 734  
CPC .... A47F 7/021; A47F 5/05; A47F 7/00; A47F  
1/126; A47F 7/163; A47F 13/08; A47K  
10/40; A47K 10/3836; A47K 10/16;  
A47K 2010/3266; A47K 10/42; A47K  
10/426; B66D 1/7442; B65D 85/00;  
B65D 81/00; B65D 81/22; B65D  
83/0805; G07F 11/00

See application file for complete search history.

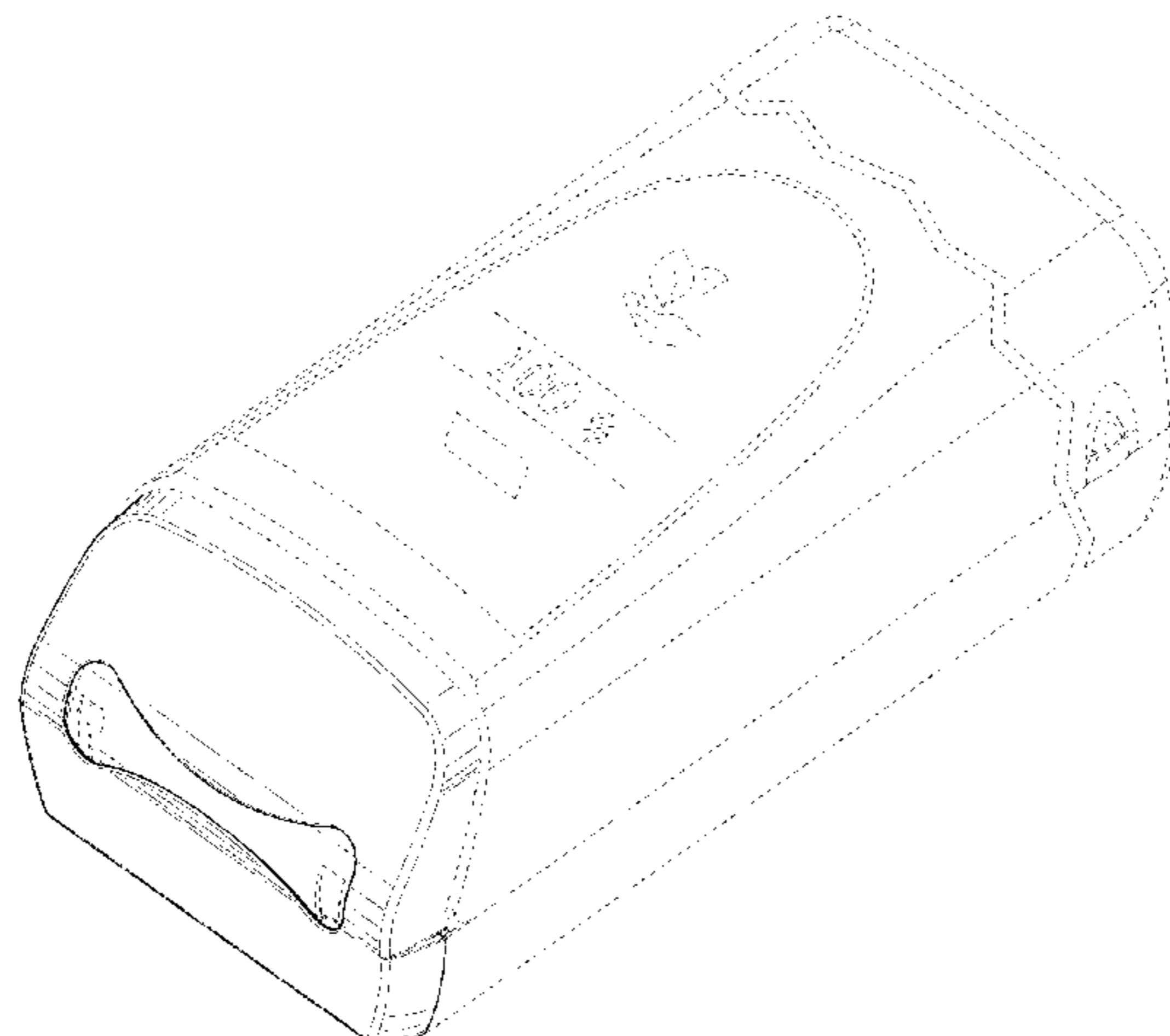
(56) **References Cited**

U.S. PATENT DOCUMENTS

3,747,802 A 7/1973 Uroshevich  
4,491,242 A 1/1985 Trinidad  
5,090,592 A 2/1992 Petterson et al.

5,100,020 A 3/1992 Petterson et al.  
5,102,007 A 4/1992 Petterson et al.  
5,156,293 A 10/1992 Petterson et al.  
D331,515 S 12/1992 Petterson et al.  
D369,249 S 4/1996 Loew  
D414,085 S 9/1999 Campbell  
D429,933 S 8/2000 Phelps et al.  
D436,298 S 1/2001 Tramontina  
D443,485 S 6/2001 Tramontina  
D444,352 S 7/2001 Tramontina et al.  
D444,353 S 7/2001 Tramontina  
D444,354 S 7/2001 Tramontina  
D444,355 S 7/2001 Tramontina et al.  
D444,681 S 7/2001 Tramontina  
D445,002 S 7/2001 Tramontina et al.  
D445,003 S 7/2001 Tramontina et al.  
D445,651 S 7/2001 Tramontina  
D445,652 S 7/2001 Tramontina  
D446,086 S 8/2001 Tramontina  
D448,252 S 9/2001 Tramontina et al.  
D449,496 S 10/2001 Tramontina  
6,302,350 B1 10/2001 Burrell et al.  
D450,542 S 11/2001 Tramontina  
D451,349 S 12/2001 Tramontina et al.  
D451,770 S 12/2001 Tramontina  
6,334,544 B1 1/2002 Christensen et al.  
D455,615 S 4/2002 Tramontina  
D463,183 S 9/2002 Tramontina  
D463,184 S 9/2002 Tramontina et al.  
D463,929 S 10/2002 Fitzsimmons et al.  
D475,226 S 6/2003 Wagner  
6,575,329 B2 6/2003 Clark  
6,585,129 B2 7/2003 Moody et al.  
6,588,626 B2 7/2003 Sauer et al.  
6,622,888 B2 9/2003 Boone et al.  
6,644,501 B2 11/2003 Iida  
D493,312 S 7/2004 Collins et al.  
6,758,369 B2 7/2004 Morin et al.  
6,817,483 B2 11/2004 Kohne et al.  
6,817,484 B2 11/2004 Morin et al.  
6,874,653 B2 4/2005 Boone et al.  
6,892,898 B1 5/2005 Boone et al.  
6,899,251 B2 5/2005 Christensen et al.  
6,905,025 B2 6/2005 Morin  
D507,138 S 7/2005 Hochtritt et al.  
6,929,147 B2 8/2005 Guillemette et al.  
6,981,610 B2\* 1/2006 Smiley ..... A47K 10/427  
221/33

6,988,635 B2 1/2006 Hochtritt et al.  
D522,781 S 6/2006 Wieser et al.  
D523,669 S 6/2006 Wieser et al.  
D524,084 S 7/2006 Wieser et al.  
D526,165 S 8/2006 Burns et al.



7,134,571	B2	11/2006	Hochtritt et al.	
7,134,572	B2	11/2006	Morin	
7,204,390	B2	4/2007	Widlund	
D550,008	S	9/2007	Hager et al.	
D552,428	S	10/2007	Zeiron	
7,341,166	B2	3/2008	Reinsel et al.	
D571,159	S	6/2008	Pommier et al.	
D576,824	S	9/2008	Eksrom	
D579,249	S	10/2008	Omdoll et al.	
D579,702	S	11/2008	McArdle	
D590,213	S	4/2009	Young et al.	
7,546,934	B2	6/2009	Reinsel et al.	
7,611,765	B2	11/2009	Hochtritt et al.	
D604,997	S	12/2009	Kuehneman et al.	
D605,442	S	12/2009	Elhalwani	
7,648,045	B2	1/2010	Christensen et al.	
7,661,553	B2	2/2010	Zeiron	
D624,340	S	9/2010	Benedetti	
D626,362	S	11/2010	Martin	
7,837,057	B2	11/2010	Zeiron	
D630,873	S	1/2011	Kuehneman et al.	
D647,742	S	11/2011	Pourian	
D647,743	S	11/2011	Pourian	
D648,187	S	11/2011	Kuehneman et al.	
8,152,021	B2	4/2012	Babikian	
D664,795	S *	8/2012	Cattacin .....	D6/518
D667,660	S	9/2012	Adolf	
D669,692	S	10/2012	Chen	
8,328,046	B2	12/2012	Hochtritt et al.	
D675,851	S	2/2013	Wilson	
D692,730	S *	11/2013	Wilson, Jr. ....	D7/631
8,608,023	B2	12/2013	Case et al.	
8,609,216	B2	12/2013	Zajtai et al.	
D701,434	S	3/2014	Wilson, Jr.	
D705,017	S	5/2014	Siebel	
8,757,432	B2	6/2014	Muntzing et al.	
8,875,943	B2	11/2014	Benedetti	
D729,541	S	5/2015	Wilson, Jr.	
D740,049	S	10/2015	Wilson, Jr.	
9,345,368	B2	5/2016	Formon et al.	
9,433,331	B2	9/2016	Siebel	
D783,304	S *	4/2017	Gray .....	D6/515
D784,039	S *	4/2017	Chalko .....	D6/518
9,622,627	B2	4/2017	Wilson et al.	
D789,704	S *	6/2017	Morrison .....	D6/512
D806,573	S *	1/2018	Sobel .....	D9/734
2004/0020936	A1	2/2004	Guillemette et al.	
2005/0087541	A1	4/2005	Hochtritt et al.	
2005/0150898	A1 *	7/2005	Young .....	B65D 83/0811 221/53
2006/0163268	A1	7/2006	Kuehneman et al.	
2006/0273100	A1	12/2006	Cittadino et al.	
2006/0273102	A1	12/2006	Wieser et al.	
2009/0127276	A1	5/2009	Rippl et al.	
2010/0025420	A1	2/2010	Hochtritt et al.	
2010/0224647	A1	9/2010	Formon et al.	
2011/0174834	A1	7/2011	Case et al.	
2012/0279984	A1	11/2012	Brolin	
2013/0213992	A1	8/2013	Wichmann	
2013/0228587	A1	9/2013	Formon	

FOREIGN PATENT DOCUMENTS

CA	71201	A	5/1901
CA	78371	A	11/1902
CA	113279	A	7/1908
CA	2357489	A1	12/1997
CA	2269866	A1	5/1998
CA	2280726	A1	9/1998

CA	2310649	A1	7/1999
CA	2394530	A1	1/2003
CA	2405980	A1	3/2003
CA	2576416	A1	2/2006
CA	2524098	A1	4/2006
CA	2526668	A1	5/2006
EM	000597265-0001		11/2006
WO	WO-2006/000242	A1	1/2006
WO	WO-2007/073244	A1	6/2007
WO	WO-2009/064231	A1	5/2009
WO	WO-2009/126077	A1	10/2009
WO	WO-2010/101677	A1	9/2010
WO	WO-2010/102674	A1	9/2010
WO	WO-2010/104430	A1	9/2010
WO	WO-2010/118783	A1	10/2010
WO	WO-2010/132005	A1	11/2010
WO	WO-2011/062532	A1	5/2011
WO	WO-2013/007302	A2	1/2013
WO	WO-2013/064165	A2	5/2013
WO	WO-2013/091877	A1	6/2013
WO	WO-2013/113392	A1	8/2013
WO	WO-2013/113393	A1	8/2013
WO	WO-2013/113394	A1	8/2013
WO	WO-2013/126527	A1	8/2013

OTHER PUBLICATIONS

U.S. Appl. No. 29/602,979, filed May 5, 2017.

\* cited by examiner

*Primary Examiner* — Wan Laymon

*Assistant Examiner* — Mark Booker

(74) *Attorney, Agent, or Firm* — Marshall, Gerstein & Borun LLP

(57) CLAIM

The ornamental design for a dispenser, as shown and described.

DESCRIPTION

FIG. 1 is a perspective view of a dispenser showing the new design.

FIG. 2 is a front elevation view of the dispenser shown in FIG. 1;

FIG. 3 is a top plan view of the dispenser shown in FIG. 1; FIG. 4 is a right-side elevation view of the dispenser shown in FIG. 1;

FIG. 5 is a left-side elevation view of the dispenser shown in FIG. 1;

FIG. 6 is a bottom plan view of the dispenser shown in FIG. 1; and,

FIG. 7 is a rear elevation view of the dispenser shown in FIG. 1.

The portions shown in broken lines do not form part of the claimed design. The separation is used to indicate that, for ease of illustration, the precise length of the dispenser is not claimed.

**1 Claim, 7 Drawing Sheets**

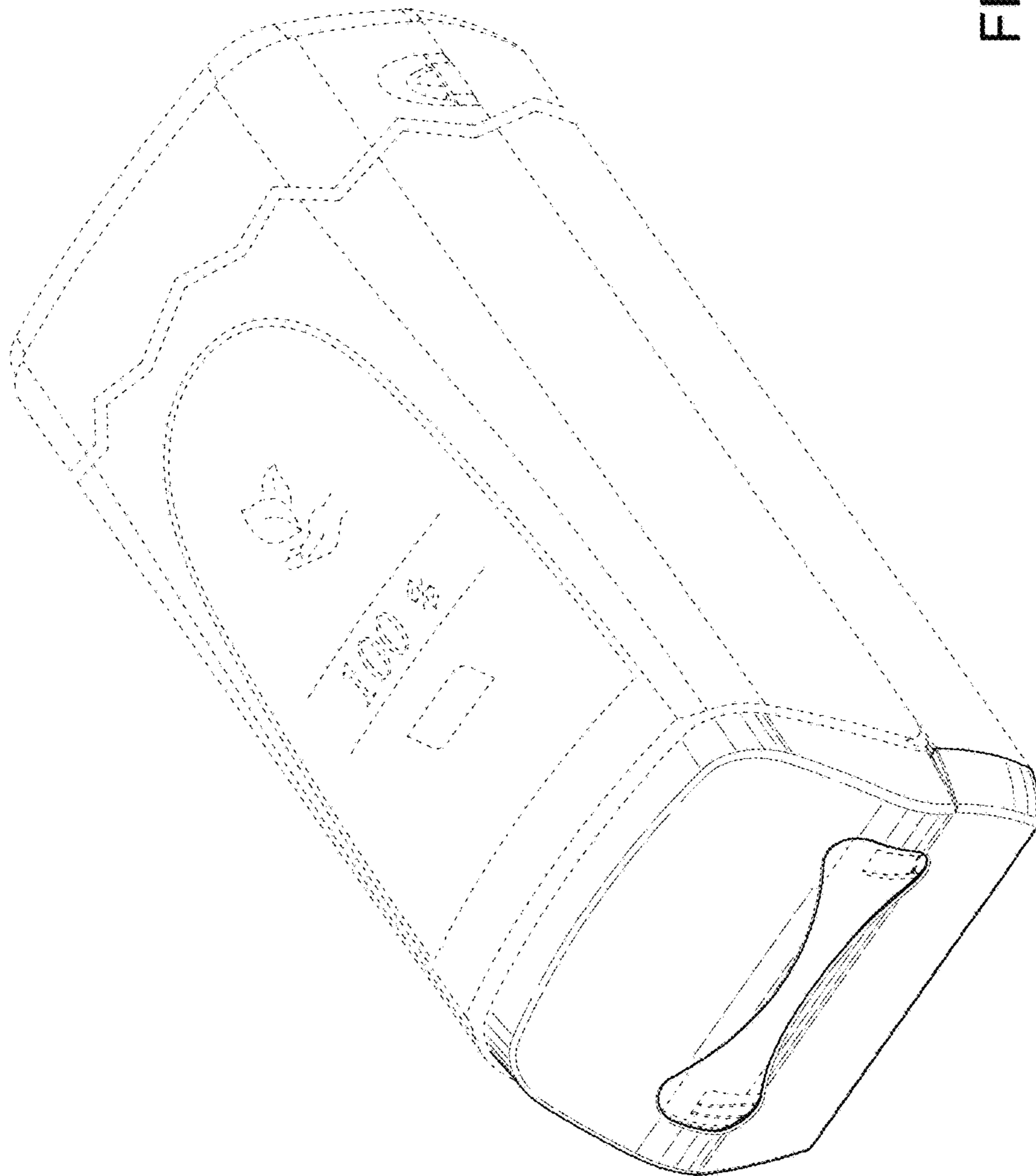


FIG. 1

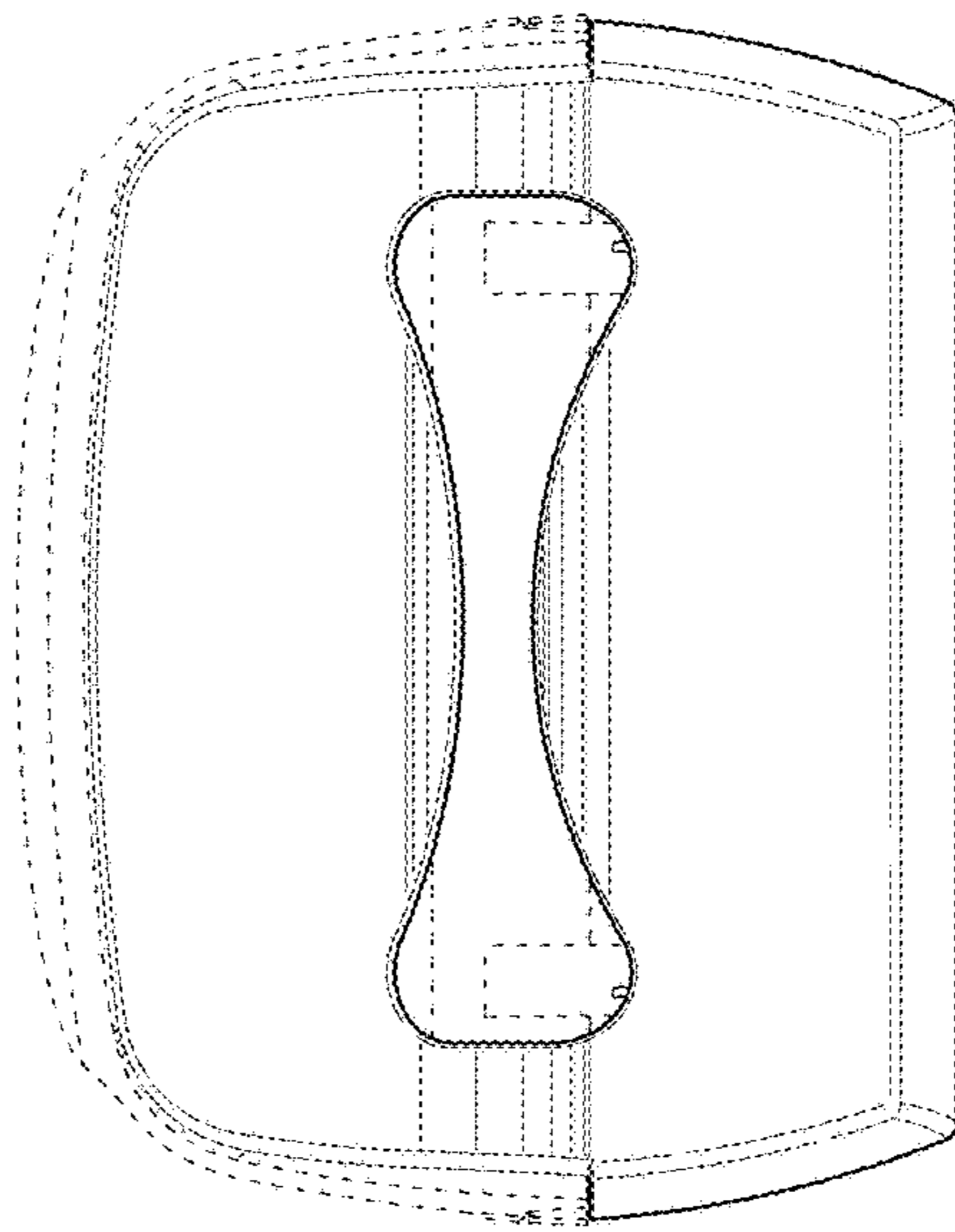


FIG. 2

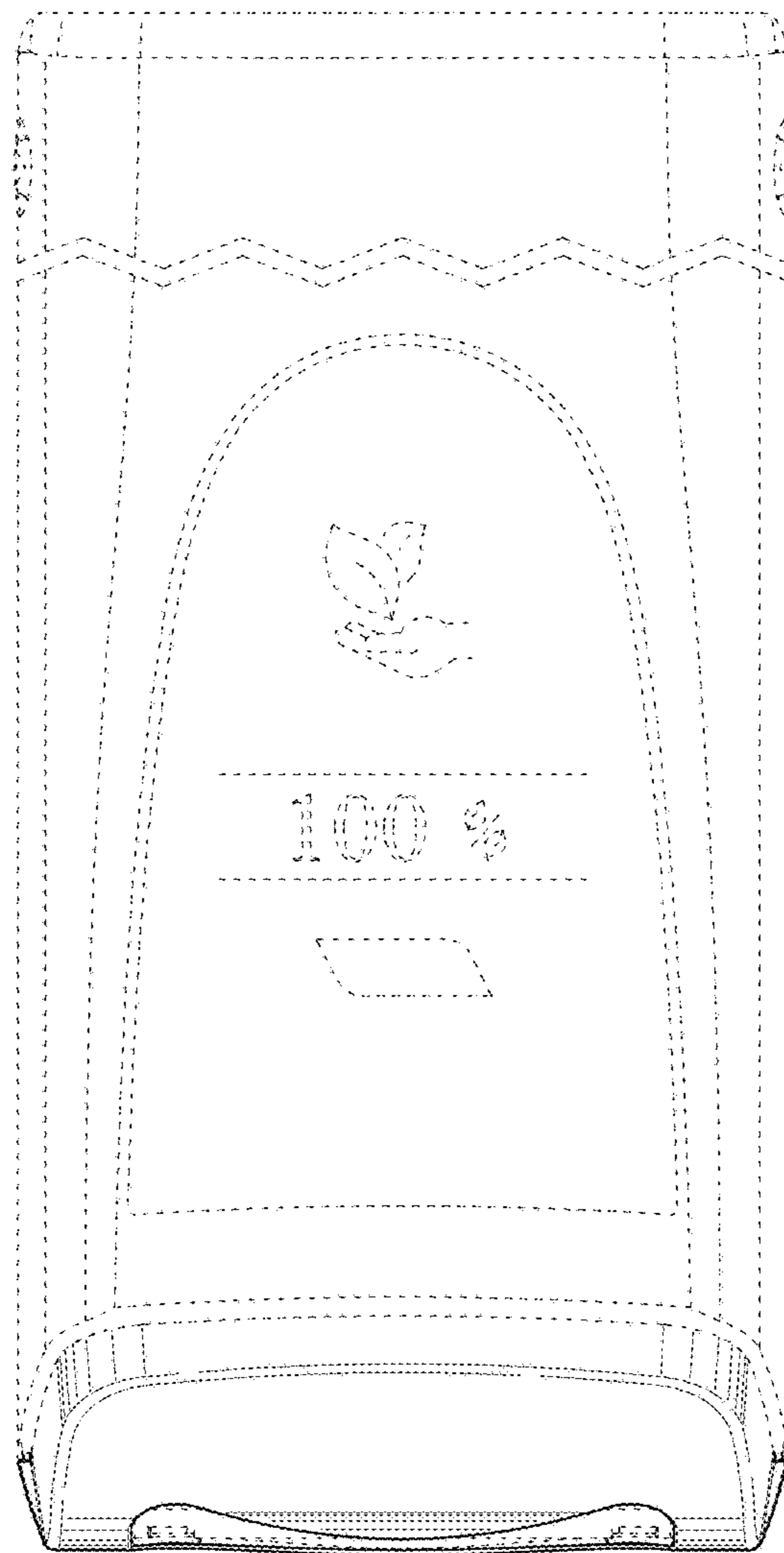


FIG. 3



FIG. 4

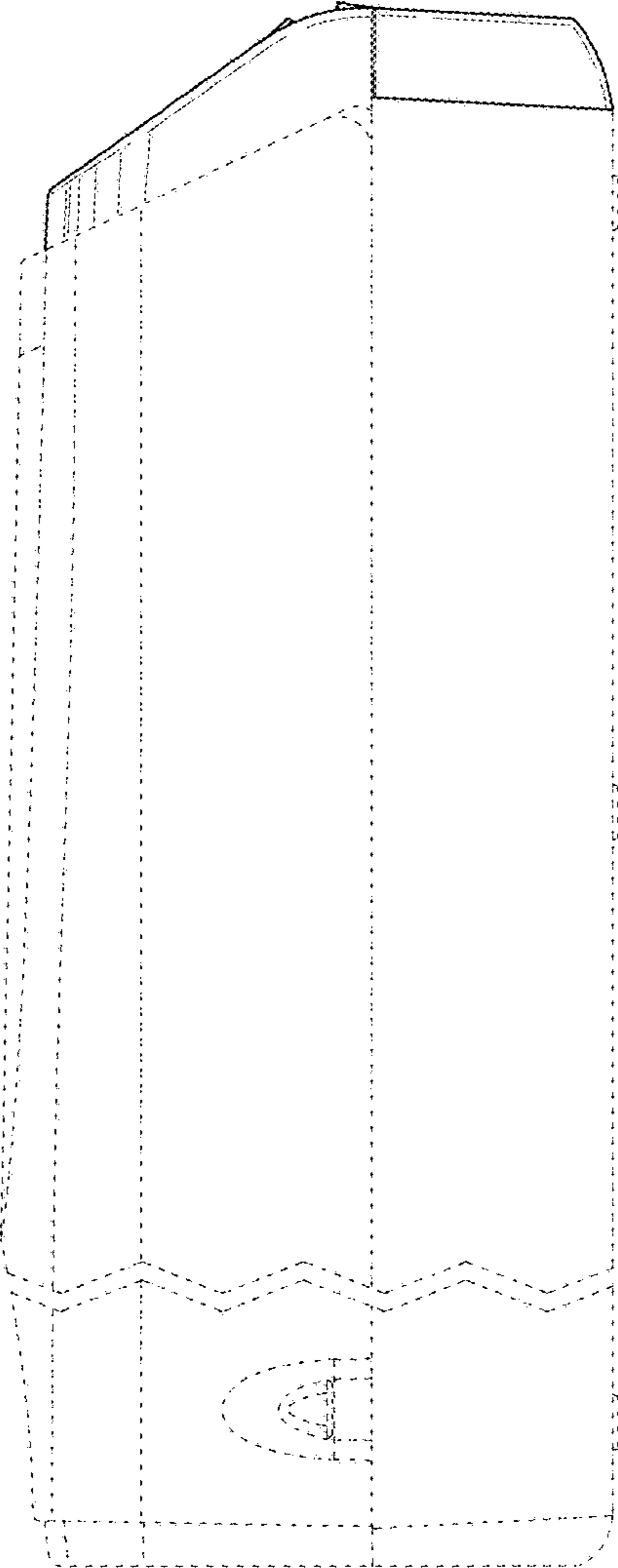


FIG. 5

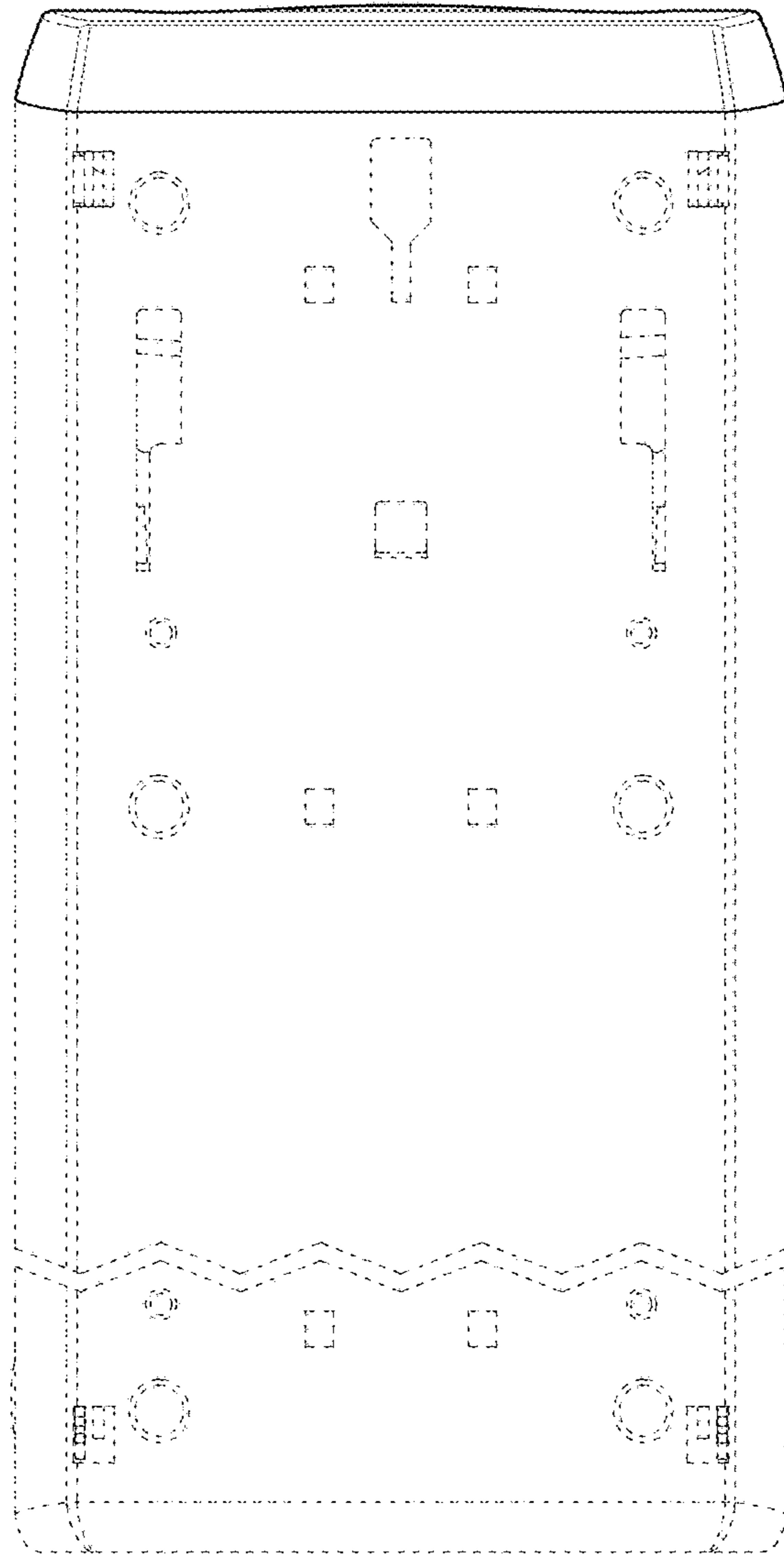


FIG. 6



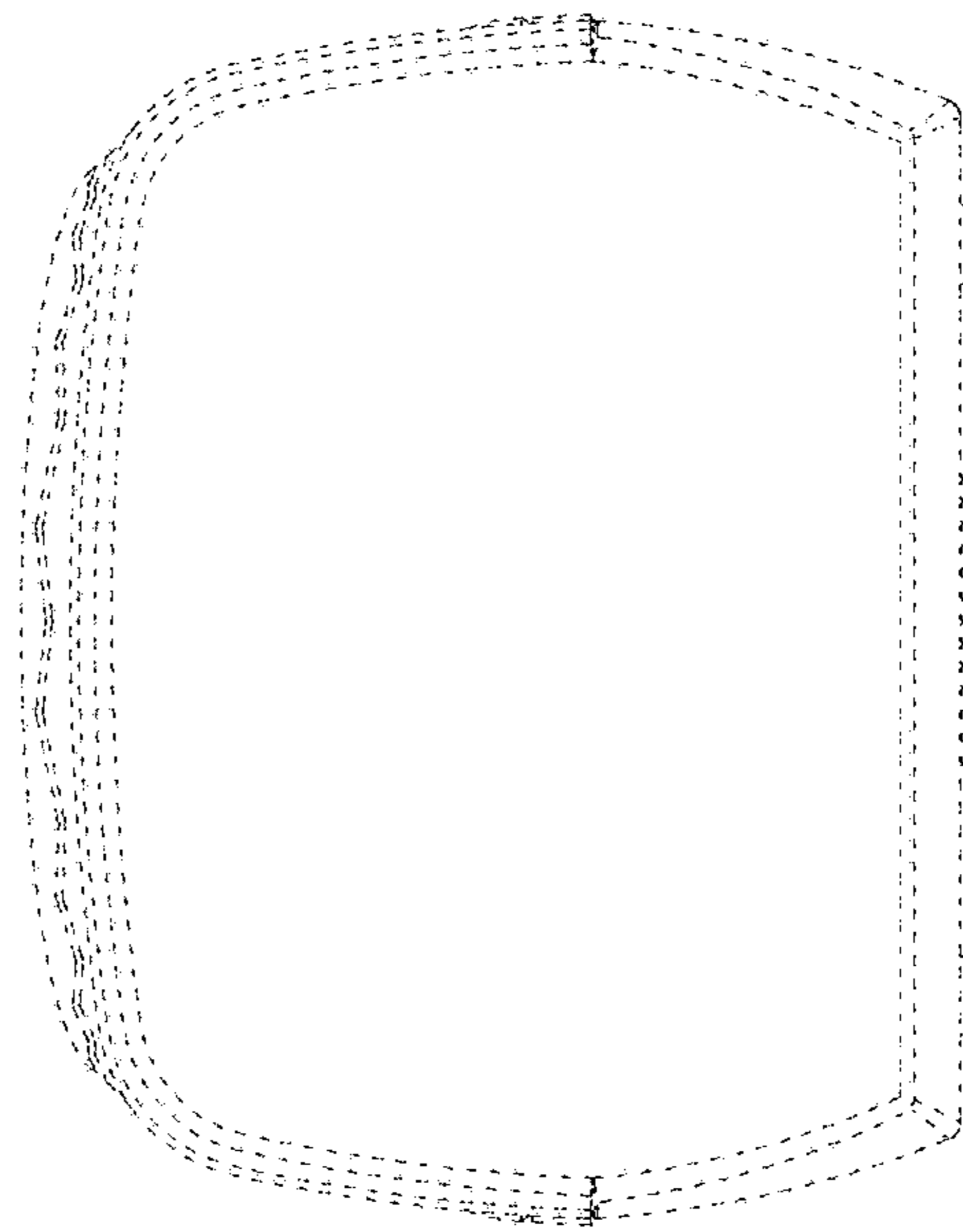


FIG. 7