



US00D836938S

(12) **United States Design Patent** (10) **Patent No.:** **US D836,938 S**
Anfossi (45) **Date of Patent:** **** Jan. 1, 2019**

(54) **DISPENSER**

FOREIGN PATENT DOCUMENTS

(71) Applicant: **CASCADES CANADA ULC**,
Montreal (CA)

CA 71201 A 5/1901
CA 78371 A 11/1902

(Continued)

(72) Inventor: **Alessandro Anfossi**, Caponago (IT)

OTHER PUBLICATIONS

(73) Assignee: **CASCADES CANADA ULC**,
Montreal (CA)

U.S. Appl. No. 29/602,981, filed May 5, 2017.

(**) Term: **15 Years**

Primary Examiner — Wan Lymon

Assistant Examiner — Mark Booker

(21) Appl. No.: **29/602,979**

(74) *Attorney, Agent, or Firm* — Marshall, Gerstein &
Borun LLP

(22) Filed: **May 5, 2017**

(51) **LOC (11) Cl.** **09-01**

(52) **U.S. Cl.**
USPC **D6/512**

(57) **CLAIM**

(58) **Field of Classification Search**

The ornamental design for a dispenser, as shown and described.

USPC D6/512, 515–516, 517, 518, 519–523;
D19/67, 134; 206/225, 233, 389, 391,
206/205, 210, 216, 395, 494, 581, 812;
211/13.1, 45; 222/80, 101, 173, 179.5,
222/180, 575; 221/26, 33, 43, 61,
221/282–283, 36, 45, 46, 47, 48, 52, 199,
221/255, 259, 305, 309; 242/270, 590;
248/309.1, 309.2, 905; 225/93, 106;
D3/201, 304, 315; D7/601, 602, 631;
D9/414, 424, 430, 431, 499, 730, 734
CPC A47F 7/021; A47F 5/05; A47F 7/00; A47F
1/126; A47F 7/163; A47F 13/08; A47K
10/40; A47K 10/3836; A47K 10/16;
A47K 2010/3266; A47K 10/42; A47K
10/426; B66D 1/7442; B65D 85/00;
B65D 81/00; B65D 83/0805; G07F 11/00

DESCRIPTION

See application file for complete search history.

FIG. 1 is a perspective view of a dispenser showing the new design.
FIG. 2 is a front elevation view of the dispenser shown in FIG. 1;
FIG. 3 is a rear elevation view of the dispenser shown in FIG. 1;
FIG. 4 is a right-side elevation view of the dispenser shown in FIG. 1;
FIG. 5 is a left-side elevation view of the dispenser shown in FIG. 1;
FIG. 6 is a top plan view of the dispenser shown in FIG. 1;
and,
FIG. 7 is a bottom plan view of the dispenser shown in FIG. 1.

(56) **References Cited**

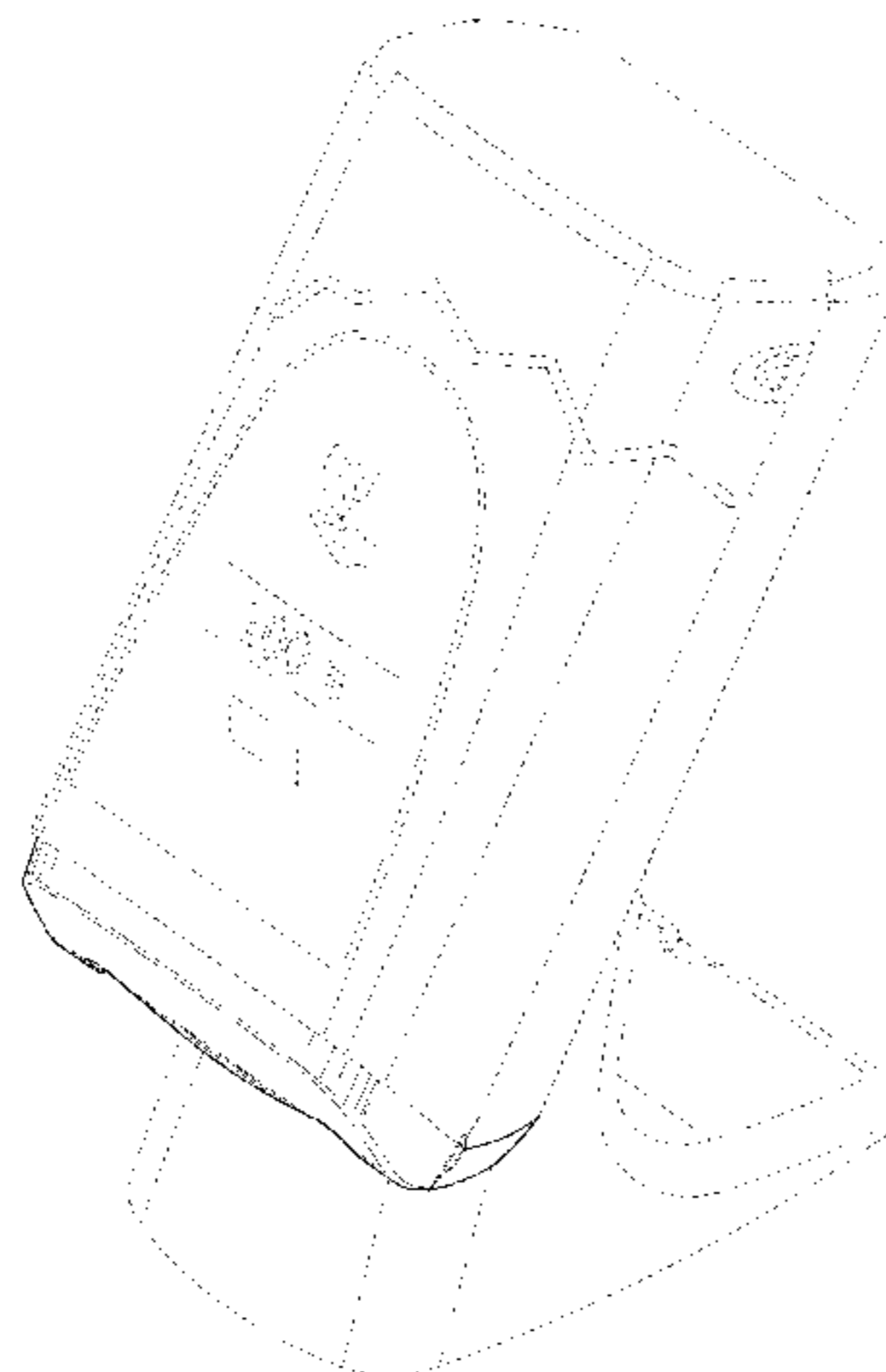
U.S. PATENT DOCUMENTS

3,747,802 A 7/1973 Uroshevich
4,491,242 A 1/1985 Trinidad
5,090,592 A 2/1992 Petterson et al.
5,100,020 A 3/1992 Petterson et al.

The portions shown in broken lines do not form part of the claimed design. The separation is used to indicate that, for ease of illustration, the precise length of the dispenser is not claimed.

(Continued)

1 Claim, 7 Drawing Sheets



(56)

References Cited

U.S. PATENT DOCUMENTS

5,102,007 A 4/1992 Petterson et al.
 5,156,293 A 10/1992 Petterson et al.
 D331,515 S 12/1992 Petterson et al.
 D369,249 S 4/1996 Loew
 D414,085 S 9/1999 Campbell
 D429,933 S 8/2000 Phelps et al.
 D436,298 S 1/2001 Tramontina
 D443,485 S 6/2001 Tramontina
 D444,352 S 7/2001 Tramontina et al.
 D444,353 S 7/2001 Tramontina
 D444,354 S 7/2001 Tramontina
 D444,355 S 7/2001 Tramontina et al.
 D444,681 S 7/2001 Tramontina
 D445,002 S 7/2001 Tramontina et al.
 D445,003 S 7/2001 Tramontina et al.
 D445,651 S 7/2001 Tramontina
 D445,652 S 7/2001 Tramontina
 D446,086 S 8/2001 Tramontina
 D448,252 S 9/2001 Tramontina et al.
 D449,496 S 10/2001 Tramontina
 6,302,350 B1 10/2001 Burrell et al.
 D450,542 S 11/2001 Tramontina
 D451,349 S 12/2001 Tramontina et al.
 D451,770 S 12/2001 Tramontina
 6,334,544 B1 1/2002 Christensen et al.
 D455,615 S 4/2002 Tramontina
 D463,183 S 9/2002 Tramontina
 D463,184 S 9/2002 Tramontina et al.
 D463,929 S 10/2002 Fitzsimmons et al.
 D475,226 S 6/2003 Wagner
 6,575,329 B2 6/2003 Clark
 6,585,129 B2 7/2003 Moody et al.
 6,588,626 B2 7/2003 Sauer et al.
 6,622,888 B2 9/2003 Boone et al.
 6,644,501 B2 11/2003 Iida
 D493,312 S 7/2004 Collins et al.
 6,758,369 B2 7/2004 Morin et al.
 6,817,483 B2 11/2004 Kohne et al.
 6,817,484 B2 11/2004 Morin et al.
 6,874,653 B2 4/2005 Boone et al.
 6,892,898 B1 5/2005 Boone et al.
 6,899,251 B2 5/2005 Christensen et al.
 6,905,025 B2 6/2005 Morin
 D507,138 S 7/2005 Hochtritt et al.
 6,929,147 B2 8/2005 Guillemette et al.
 6,981,610 B2 * 1/2006 Smiley A47K 10/427
 221/33
 6,988,635 B2 1/2006 Hochtritt et al.
 D522,781 S 6/2006 Wieser et al.
 D523,669 S 6/2006 Wieser et al.
 D524,084 S 7/2006 Wieser et al.
 D526,165 S 8/2006 Burns et al.
 7,134,571 B2 11/2006 Hochtritt et al.
 7,134,572 B2 11/2006 Morin
 7,204,390 B2 4/2007 Widlund
 D550,008 S 9/2007 Hager et al.
 D552,428 S 10/2007 Zeiron
 7,341,166 B2 3/2008 Reinsel et al.
 D571,159 S 6/2008 Pommier et al.
 D576,824 S 9/2008 Eksrom
 D579,249 S 10/2008 Omdoll et al.
 D579,702 S 11/2008 McArdle
 D590,213 S 4/2009 Young et al.
 7,546,934 B2 6/2009 Reinsel et al.
 7,611,765 B2 11/2009 Hochtritt et al.
 D604,997 S 12/2009 Kuehneman et al.
 D605,442 S 12/2009 Elhalwani
 7,648,045 B2 1/2010 Christensen et al.
 7,661,553 B2 2/2010 Zeiron
 D624,340 S 9/2010 Benedetti
 D626,362 S 11/2010 Martin

7,837,057 B2 11/2010 Zeiron
 D630,873 S 1/2011 Kuehneman et al.
 D647,742 S 11/2011 Pourian
 D647,743 S 11/2011 Pourian
 D648,187 S 11/2011 Kuehneman et al.
 8,152,021 B2 4/2012 Babikian
 D664,795 S * 8/2012 Cattacin D6/518
 D667,660 S 9/2012 Adolf
 D669,692 S 10/2012 Chen
 8,328,046 B2 12/2012 Hochtritt et al.
 D675,851 S 2/2013 Wilson
 D692,730 S * 11/2013 Wilson, Jr. D7/631
 8,608,023 B2 12/2013 Case et al.
 8,609,216 B2 12/2013 Zajtai et al.
 D701,434 S 3/2014 Wilson, Jr.
 D705,017 S 5/2014 Siebel
 8,757,432 B2 6/2014 Muntzing et al.
 8,875,943 B2 11/2014 Benedetti
 D729,541 S 5/2015 Wilson, Jr.
 D740,049 S 10/2015 Wilson, Jr.
 9,345,368 B2 5/2016 Formon et al.
 9,433,331 B2 9/2016 Siebel
 D783,304 S * 4/2017 Gray D6/515
 D784,039 S * 4/2017 Chalko D6/518
 9,622,627 B2 4/2017 Wilson et al.
 D789,704 S * 6/2017 Morrison D6/512
 D806,573 S * 1/2018 Sobel D9/734
 2004/0020936 A1 2/2004 Guillemette et al.
 2005/0087541 A1 4/2005 Hochtritt et al.
 2005/0150898 A1 * 7/2005 Young B65D 83/0811
 221/53
 2006/0163268 A1 7/2006 Kuehneman et al.
 2006/0273100 A1 12/2006 Cittadino et al.
 2006/0273102 A1 12/2006 Wieser et al.
 2009/0127276 A1 5/2009 Rippl et al.
 2010/0025420 A1 2/2010 Hochtritt et al.
 2010/0224647 A1 9/2010 Formon et al.
 2011/0174834 A1 7/2011 Case et al.
 2012/0279984 A1 11/2012 Brolin
 2013/0213992 A1 8/2013 Wichmann
 2013/0228587 A1 9/2013 Formon

FOREIGN PATENT DOCUMENTS

CA 113279 A 7/1908
 CA 2357489 A1 12/1997
 CA 2269866 A1 5/1998
 CA 2280726 A1 9/1998
 CA 2310649 A1 7/1999
 CA 2394530 A1 1/2003
 CA 2405980 A1 3/2003
 CA 2576416 A1 2/2006
 CA 2524098 A1 4/2006
 CA 2526668 A1 5/2006
 EM 000597265-0001 11/2006
 WO WO-2006/000242 A1 1/2006
 WO WO-2007/073244 A1 6/2007
 WO WO-2009/064231 A1 5/2009
 WO WO-2009/126077 A1 10/2009
 WO WO-2010/101677 A1 9/2010
 WO WO-2010/102674 A1 9/2010
 WO WO-2010/104430 A1 9/2010
 WO WO-2010/118783 A1 10/2010
 WO WO-2010/132005 A1 11/2010
 WO WO-2011/062532 A1 5/2011
 WO WO-2013/007302 A2 1/2013
 WO WO-2013/064165 A2 5/2013
 WO WO-2013/091877 A1 6/2013
 WO WO-2013/113392 A1 8/2013
 WO WO-2013/113393 A1 8/2013
 WO WO-2013/113394 A1 8/2013
 WO WO-2013/126527 A1 8/2013

* cited by examiner

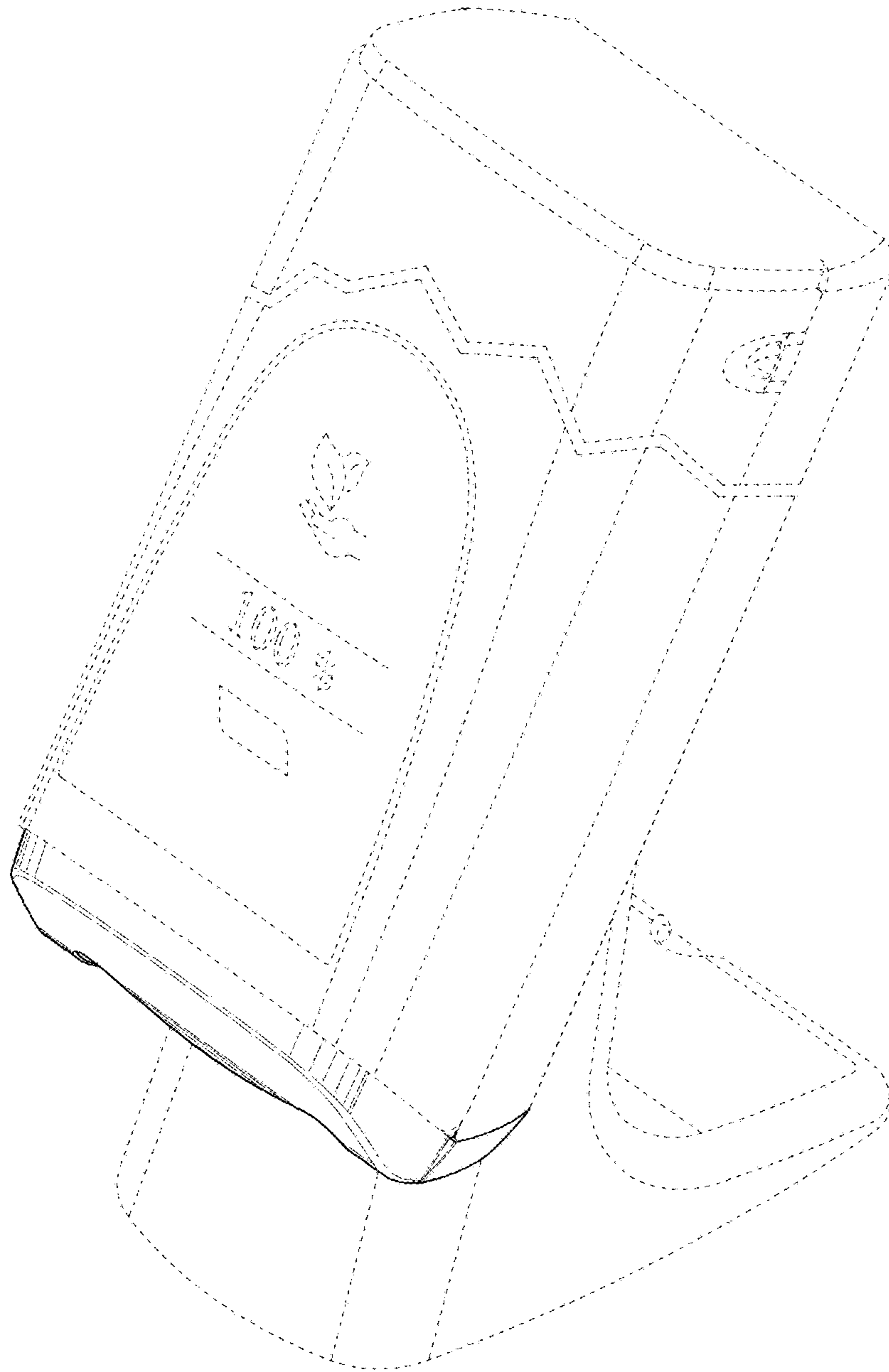


FIG. 1

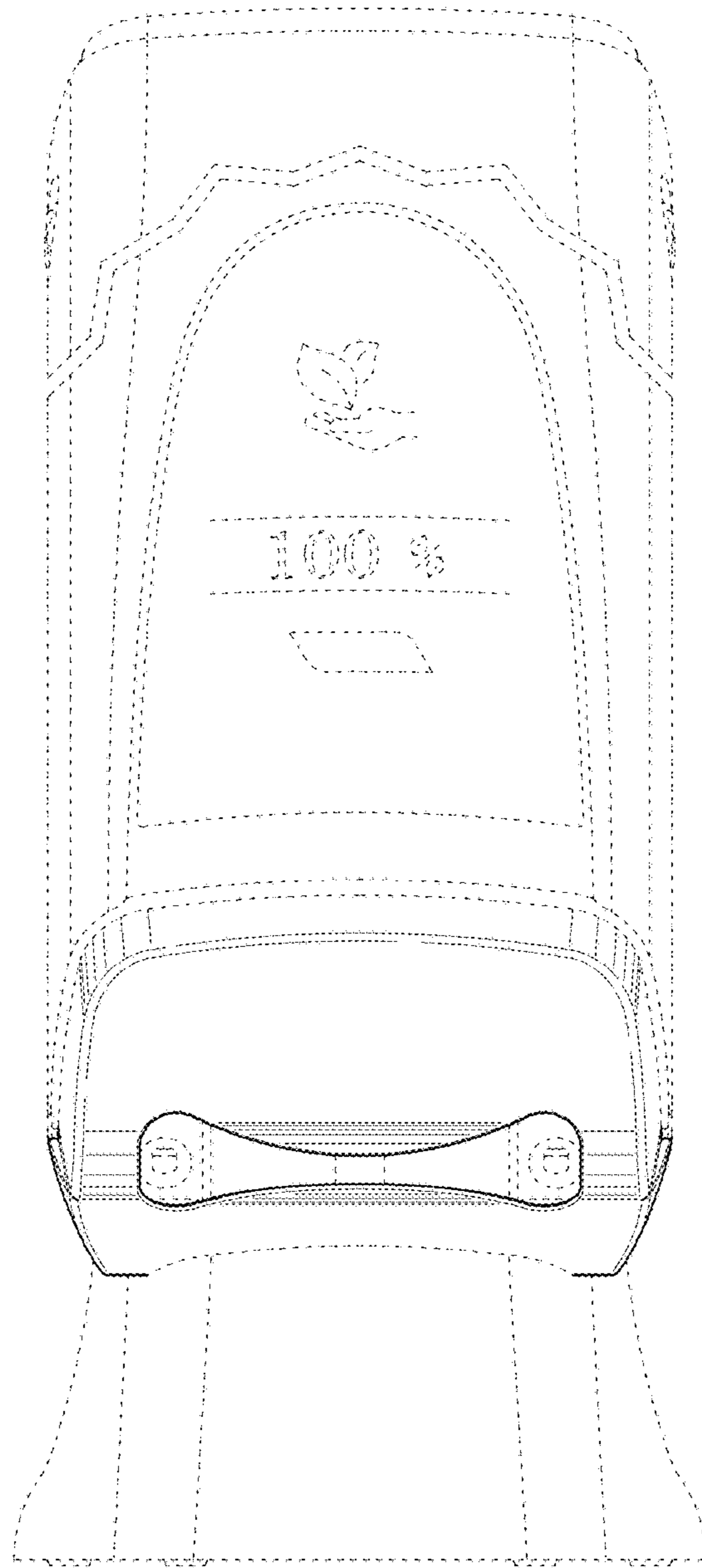


FIG. 2

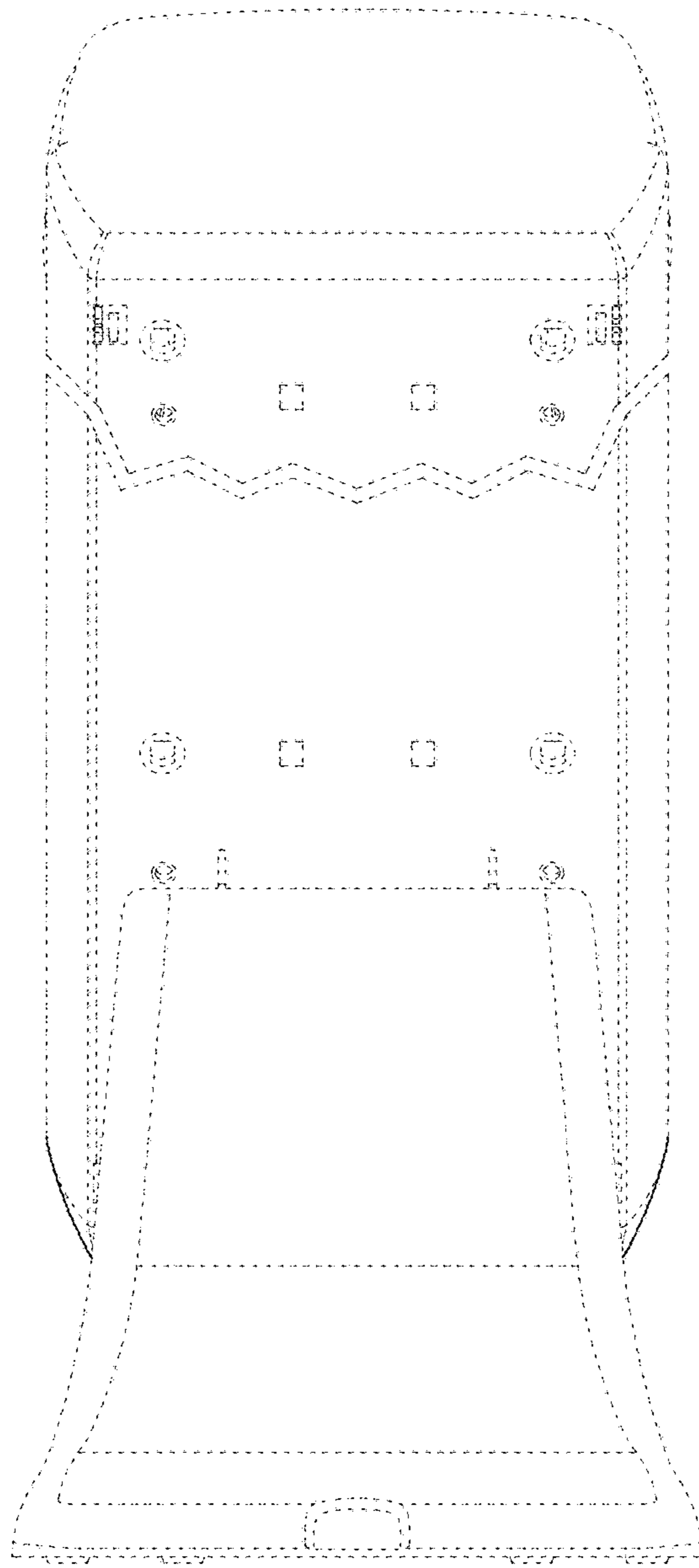


FIG. 3

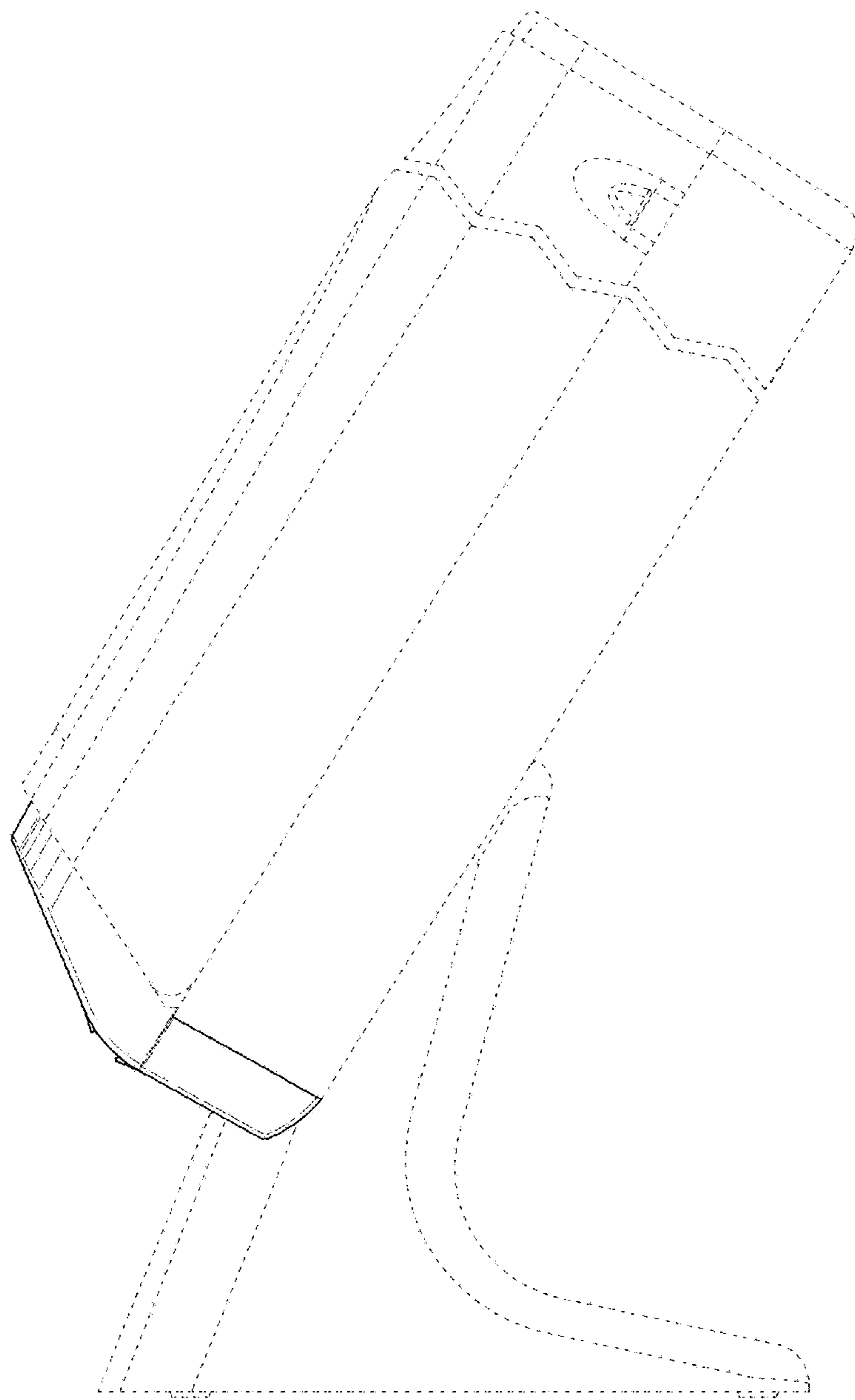


FIG. 4

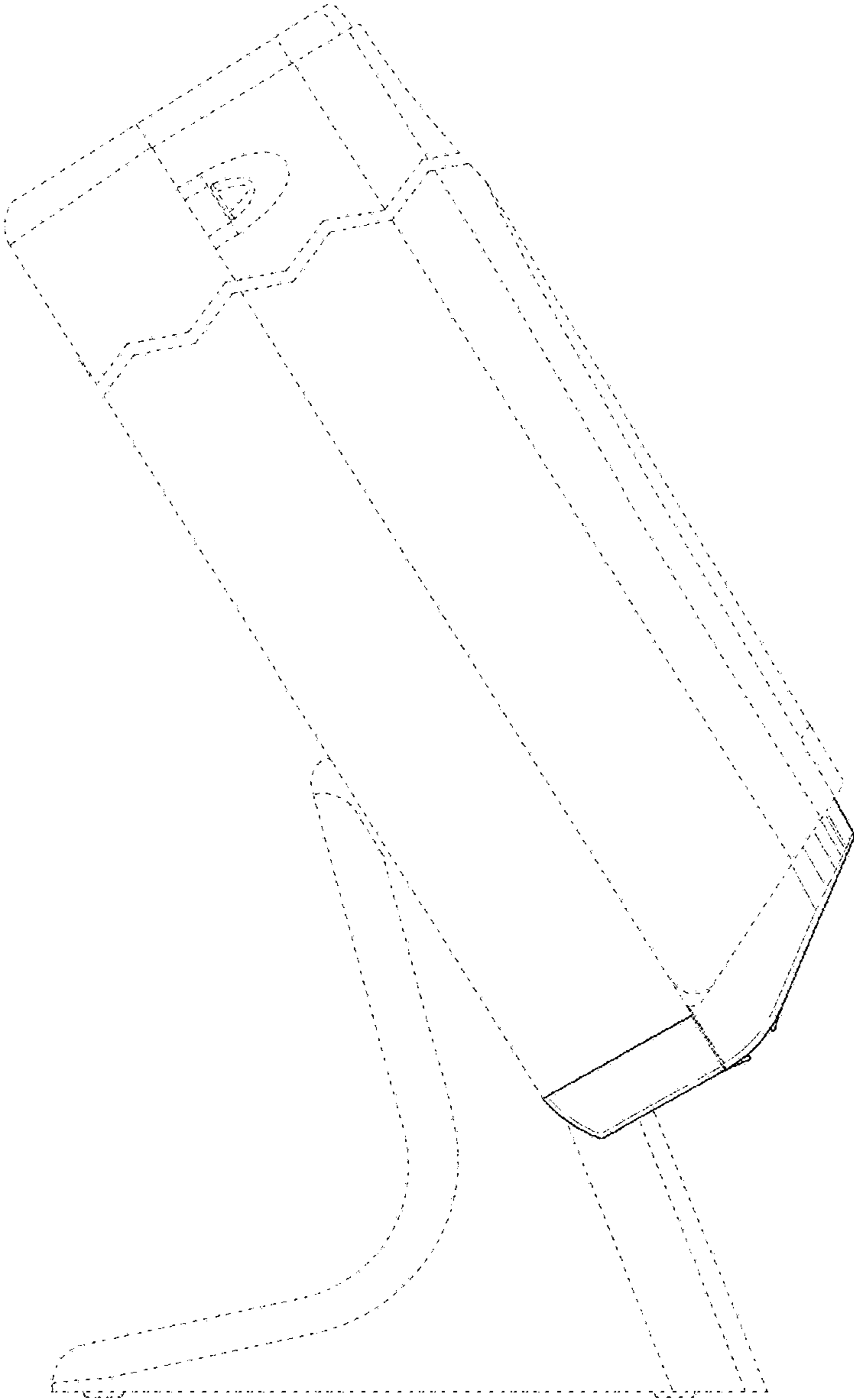


FIG. 5

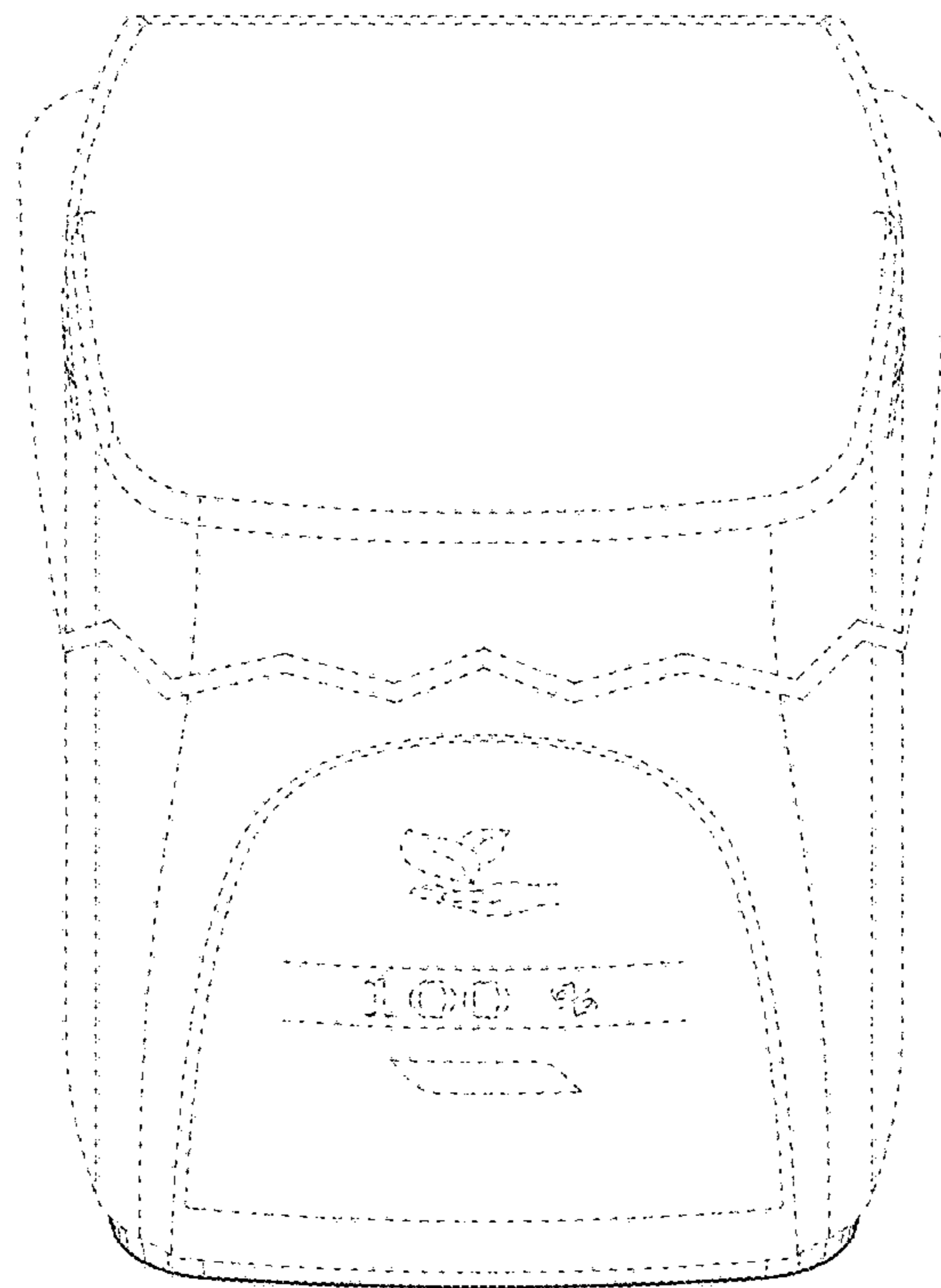


FIG. 6

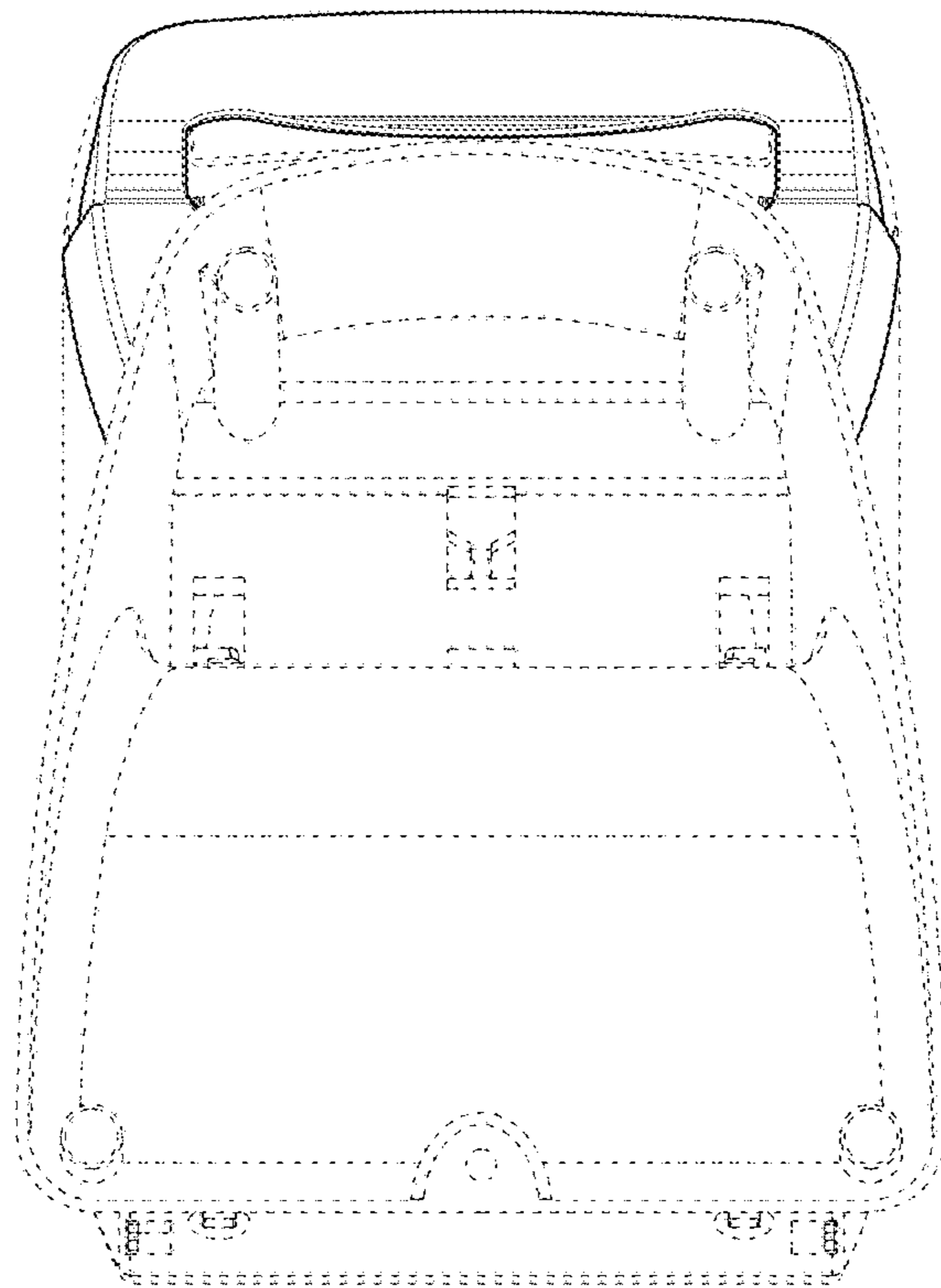


FIG. 7