



US00D836937S

(12) **United States Design Patent** (10) **Patent No.:** **US D836,937 S**
Sullins (45) **Date of Patent:** **** Jan. 1, 2019**

(54) **LAP DESK WITH SLOT AND MOUSE PAD**

(71) Applicant: **Patrick Hogan Sullins**, Arlington, TX (US)

(72) Inventor: **Patrick Hogan Sullins**, Arlington, TX (US)

(**) Term: **15 Years**

(21) Appl. No.: **29/617,530**

(22) Filed: **Sep. 14, 2017**

Related U.S. Application Data

(63) Continuation-in-part of application No. 15/635,197, filed on Jun. 28, 2017, now Pat. No. 9,999,298.

(51) **LOC (11) Cl.** **06-06**

(52) **U.S. Cl.**
USPC **D6/406.3**

(58) **Field of Classification Search**
USPC D6/406.3, 406.5, 406.6, 419, 339, 511;
D19/92; D7/550.1, 554.3, 555, 553.2
CPC A47B 17/00; A47B 23/00; A47B 23/001;
A47B 23/002
See application file for complete search history.

(56) **References Cited**

U.S. PATENT DOCUMENTS

- 5,081,936 A * 1/1992 Drieling B60N 3/002
108/25
D356,009 S * 3/1995 Branch D6/406.5
6,050,200 A * 4/2000 Sullins A47B 23/002
108/25
D472,728 S * 4/2003 Harris D6/406.3
D512,245 S * 12/2005 Bean D6/406.3

(Continued)

Primary Examiner — Kelley A Donnelly

(74) *Attorney, Agent, or Firm* — Guy V. Manning

(57) **CLAIM**

The ornamental design for a lap desk with slot and mouse pad, as shown and described.

DESCRIPTION

FIG. 1 is a right elevated perspective of a particular embodiment of the present invention.

FIG. 2 is a section view as indicated in FIG. 3 of the slot in the particular embodiment of the present invention shown in FIG. 1.

FIG. 3 is a top plan view of the particular embodiment of the present invention shown in FIG. 1.

FIG. 4 is a bottom plan view of the particular embodiment of the present invention shown in FIG. 1.

FIG. 5 is a left side elevational view of the particular embodiment of the present invention shown in FIG. 1, the right side elevational view thereof being the mirror image of FIG. 5.

FIG. 6 is a rear elevational view of the particular embodiment of the present invention shown in FIG. 1.

FIG. 7 is a front elevational view of the particular embodiment of the present invention shown in FIG. 1.

FIG. 8 is a right elevated perspective of another particular embodiment of the present invention.

FIG. 9 is a section view as indicated in FIG. 10 of the slot in the particular embodiment of the present invention shown in FIG. 8.

FIG. 10 is a top plan view of the particular embodiment of the present invention shown in FIG. 8.

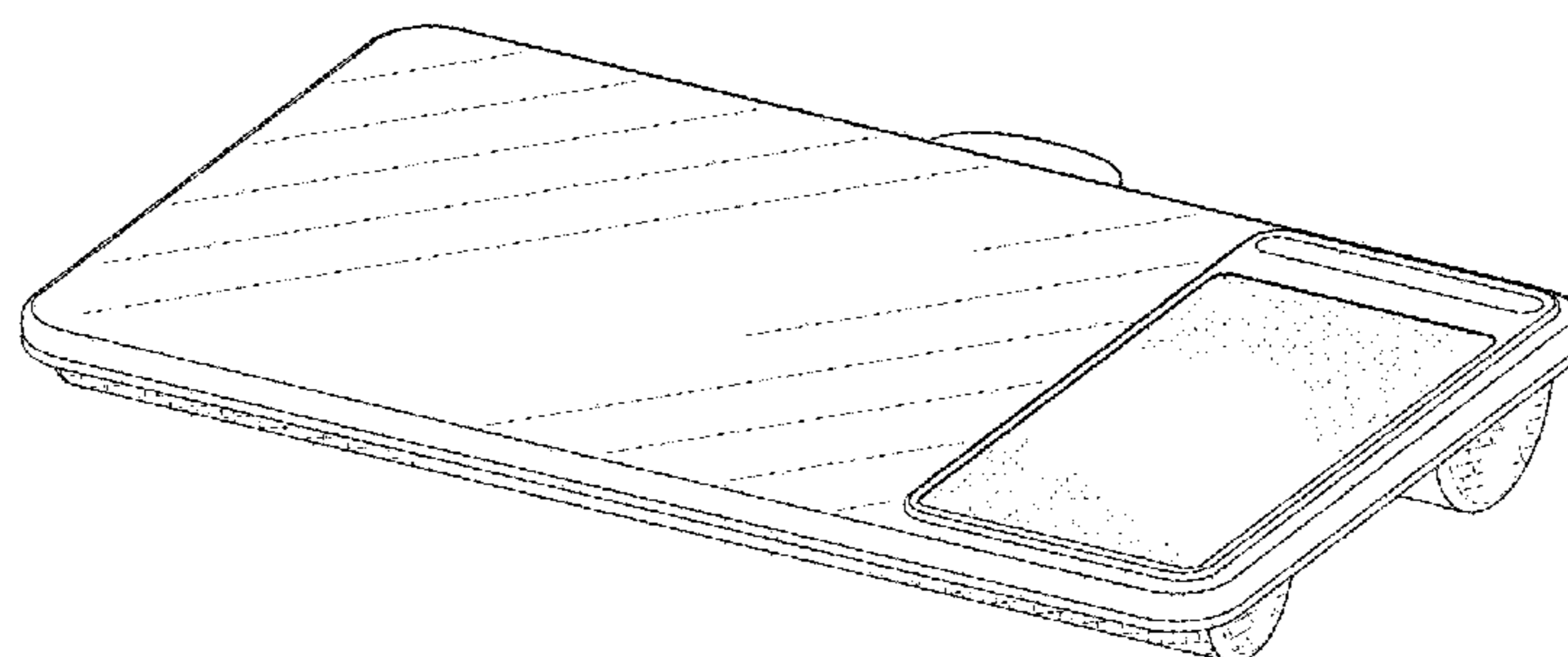
FIG. 11 is a bottom plan view of the particular embodiment of the present invention shown in FIG. 8.

FIG. 12 is a left side elevational view of the particular embodiment of the present invention shown in FIG. 8, the right side elevational view thereof being the mirror image of FIG. 12.

FIG. 13 is a rear elevational view of the particular embodiment of the present invention shown in FIG. 8; and,

FIG. 14 is a front elevational view of the particular embodiment of the present invention shown in FIG. 8.

1 Claim, 6 Drawing Sheets



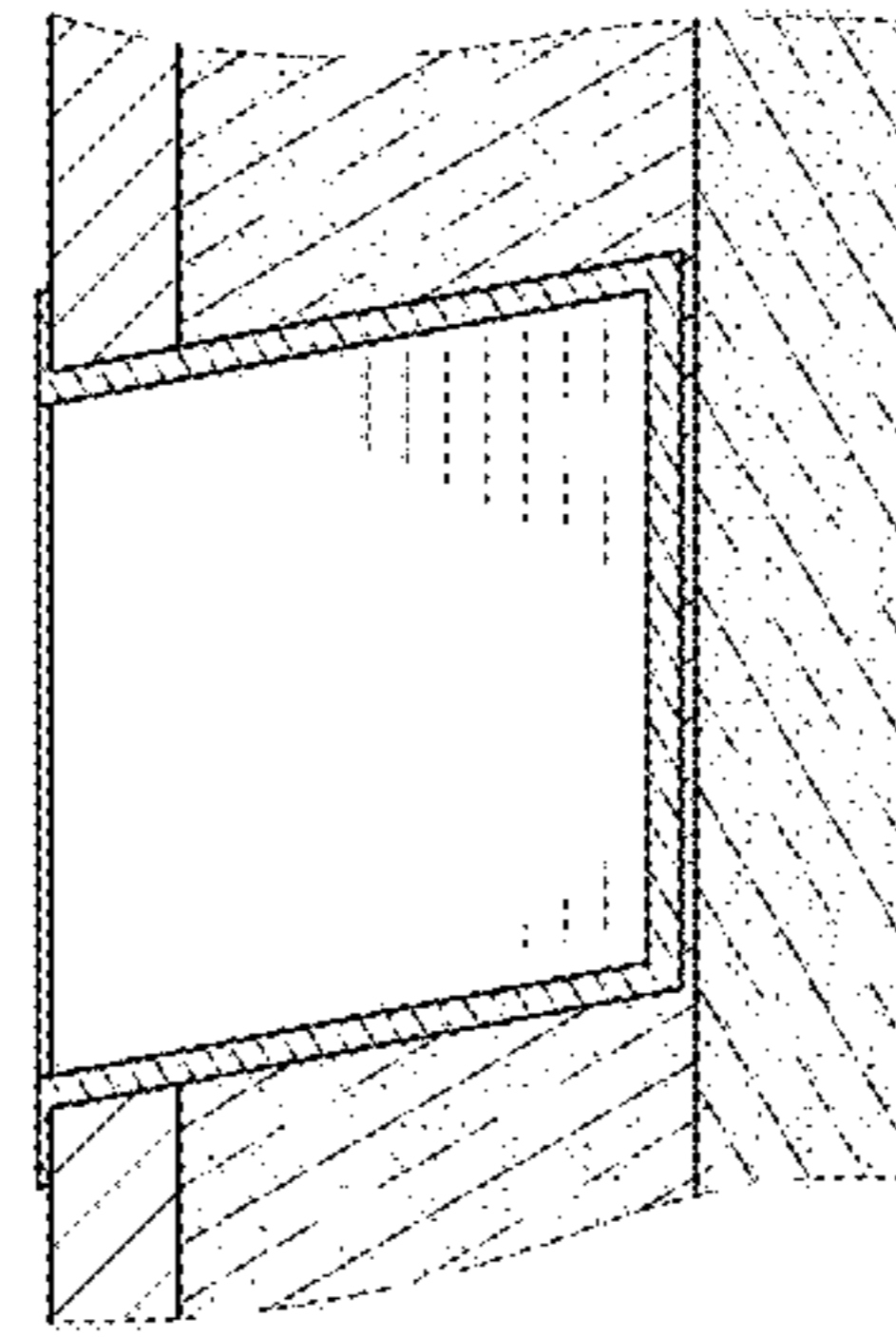
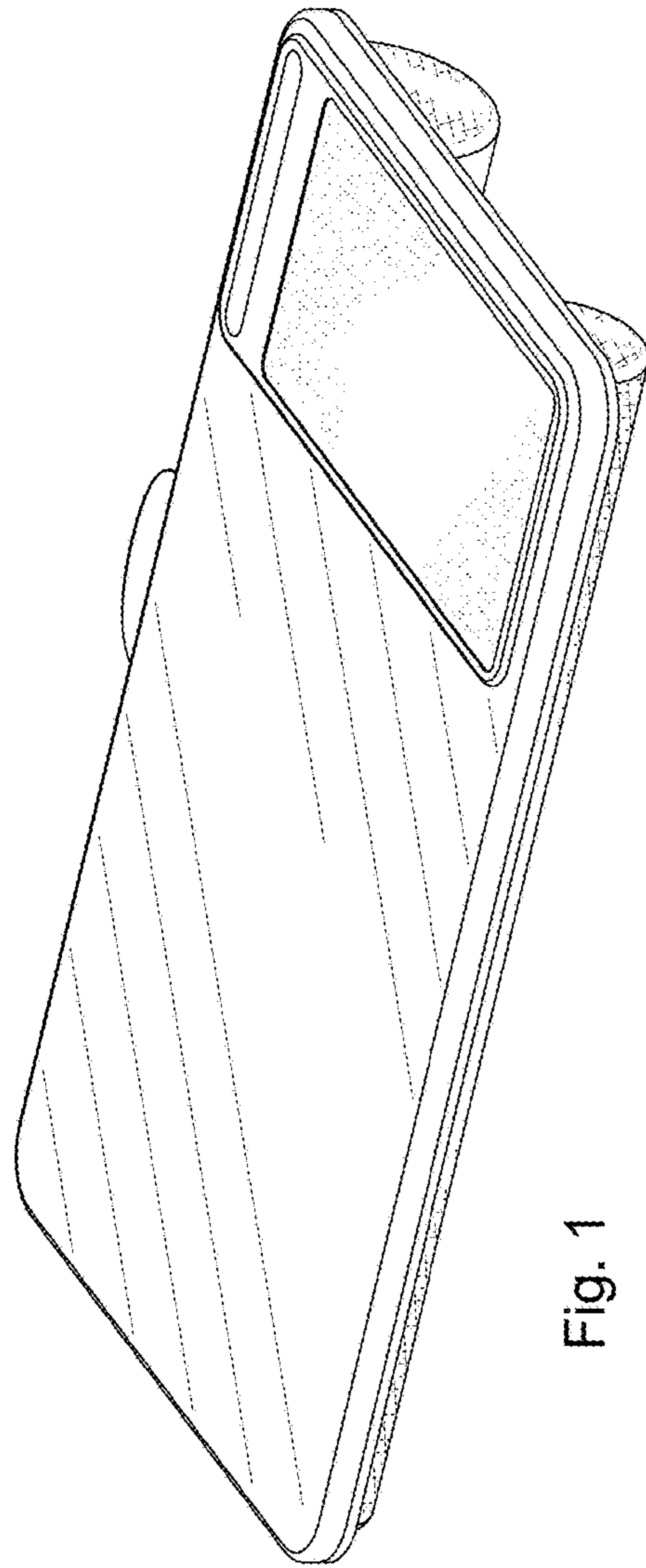
(56)

References Cited

U.S. PATENT DOCUMENTS

D517,833 S *	3/2006	Jennings	D6/406.5
D617,990 S *	6/2010	Liao	D3/313
D701,213 S *	3/2014	Pajic	D14/447
D720,152 S *	12/2014	Chauss	D6/406.3
D724,343 S *	3/2015	Sinha	D6/406.3
D745,788 S *	12/2015	Schreiter	D6/406.3
D794,974 S *	8/2017	Jennings	D6/406.3

* cited by examiner



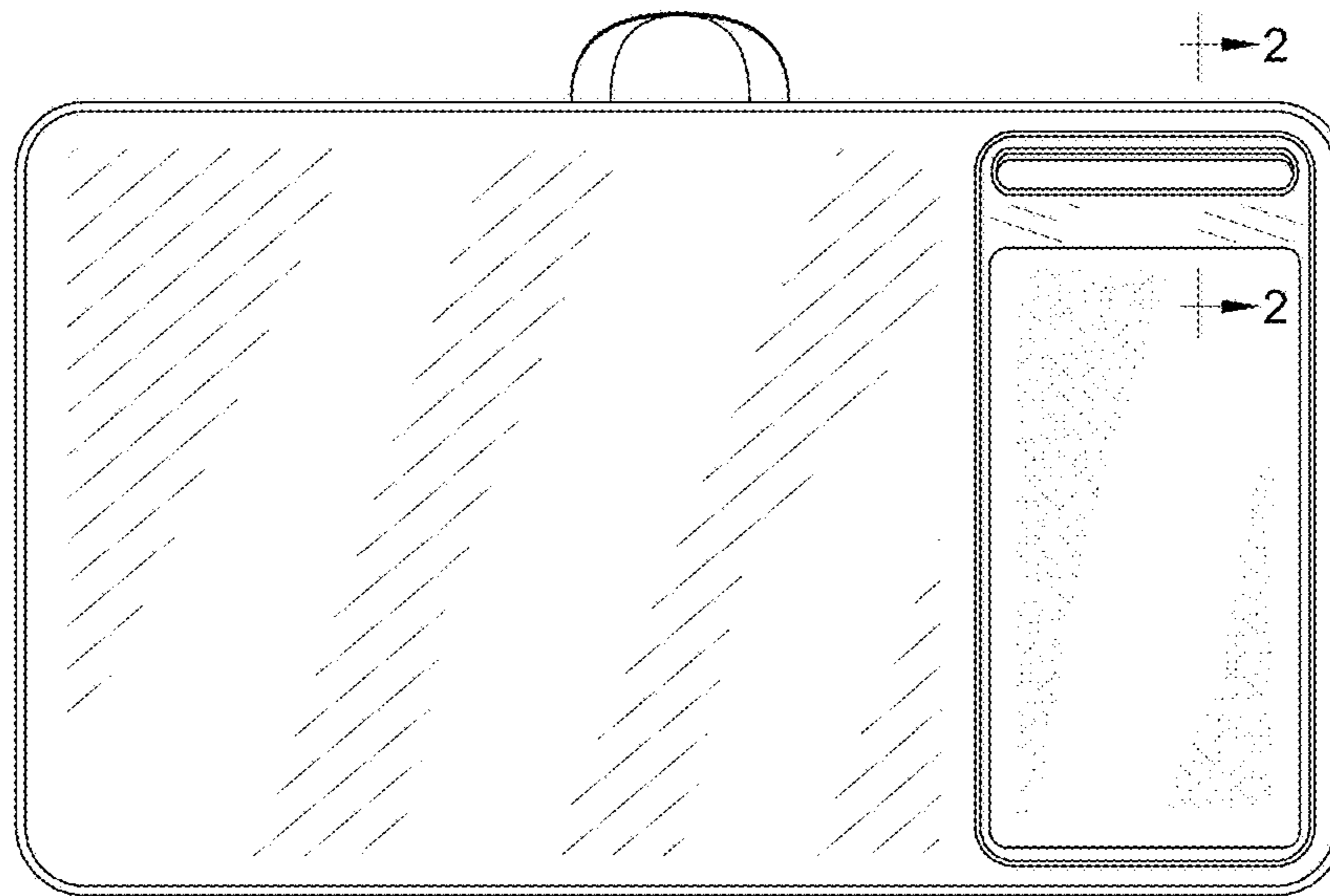


Fig. 3

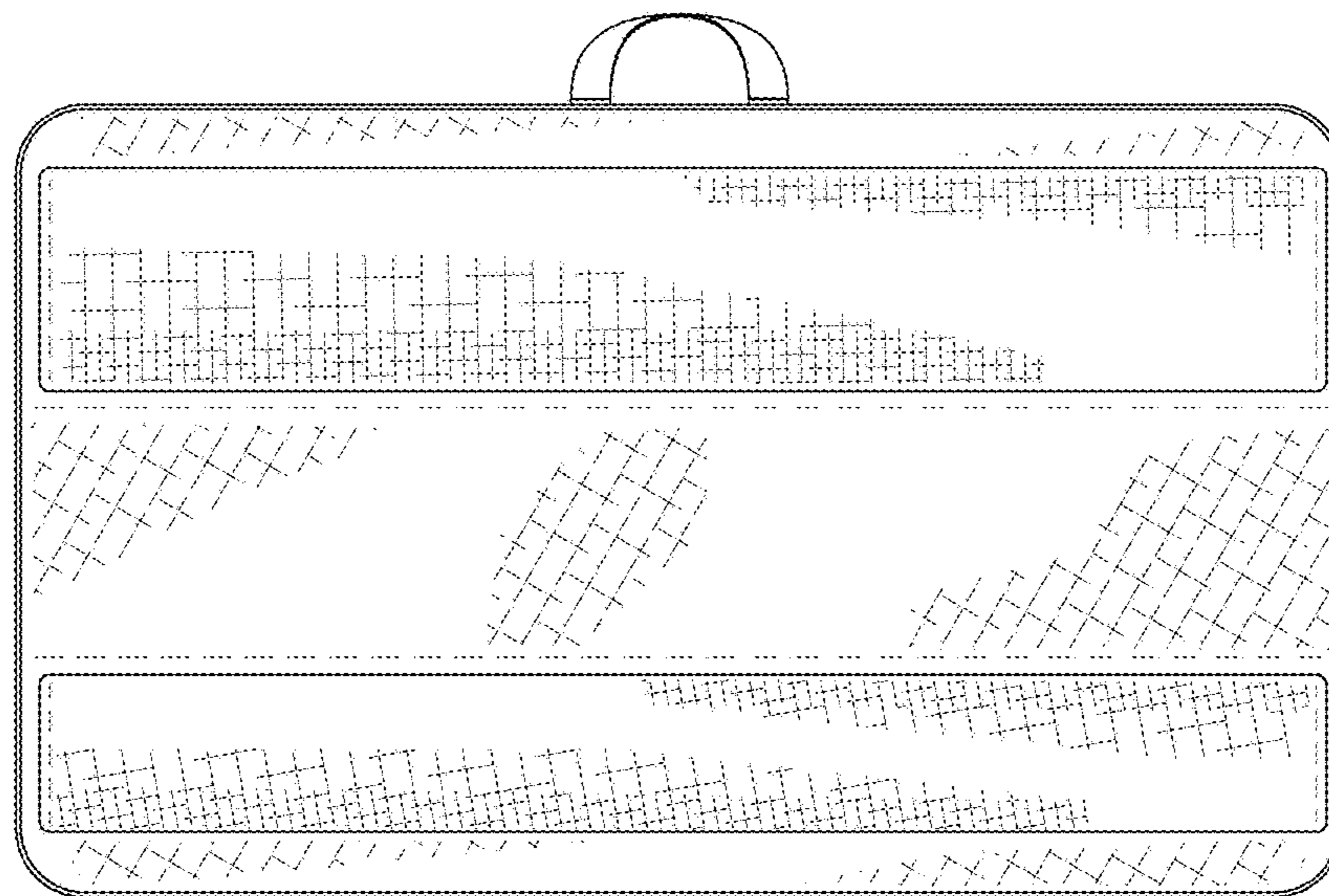


Fig. 4

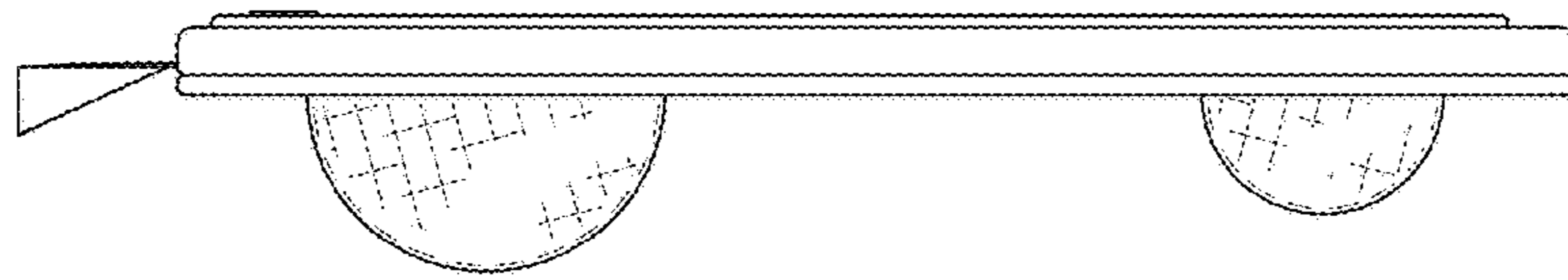


Fig. 5

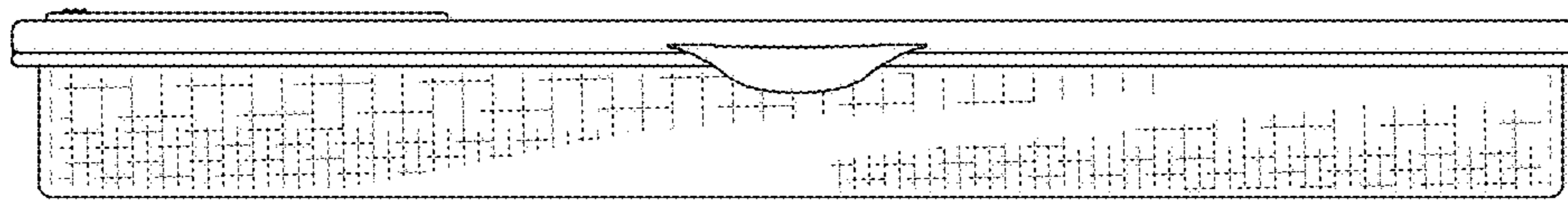


Fig. 6

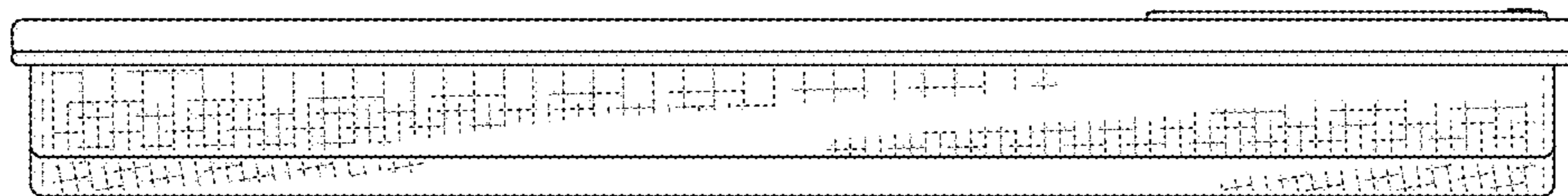


Fig. 7

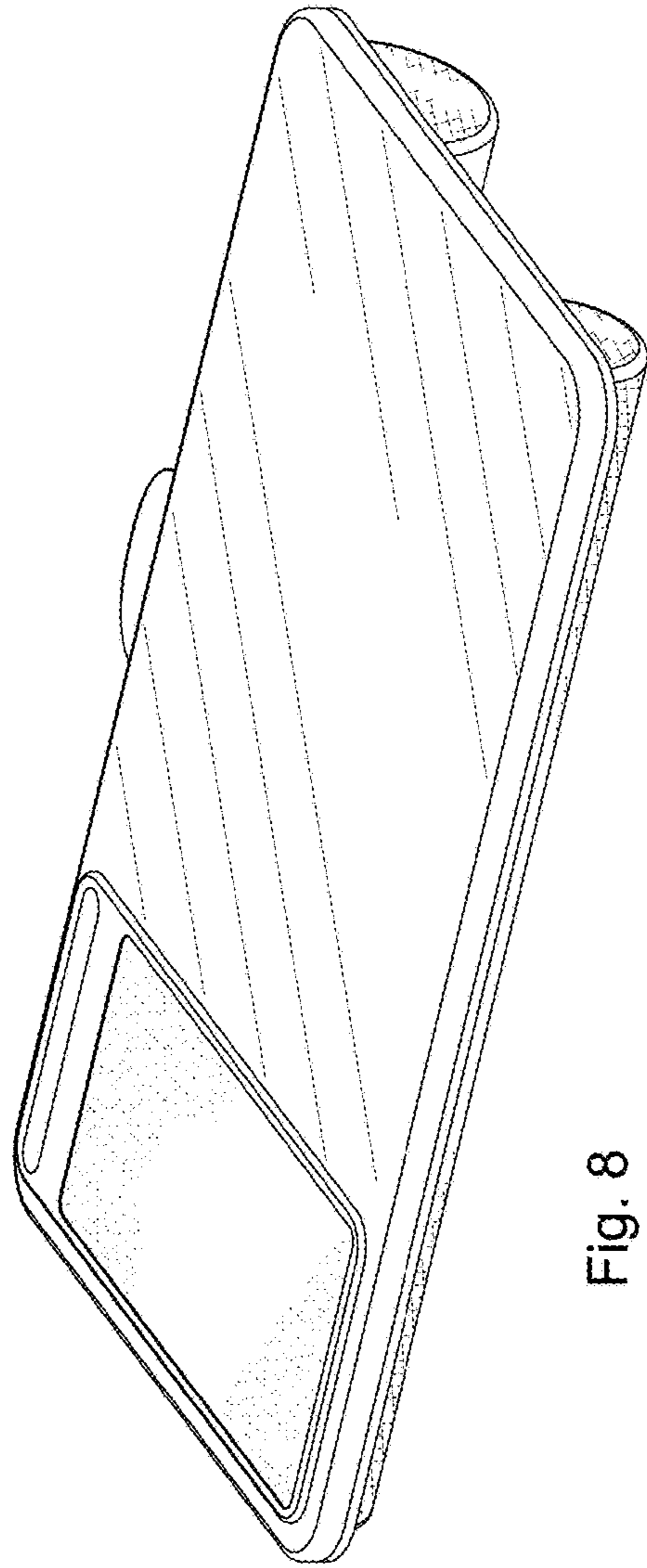


Fig. 8

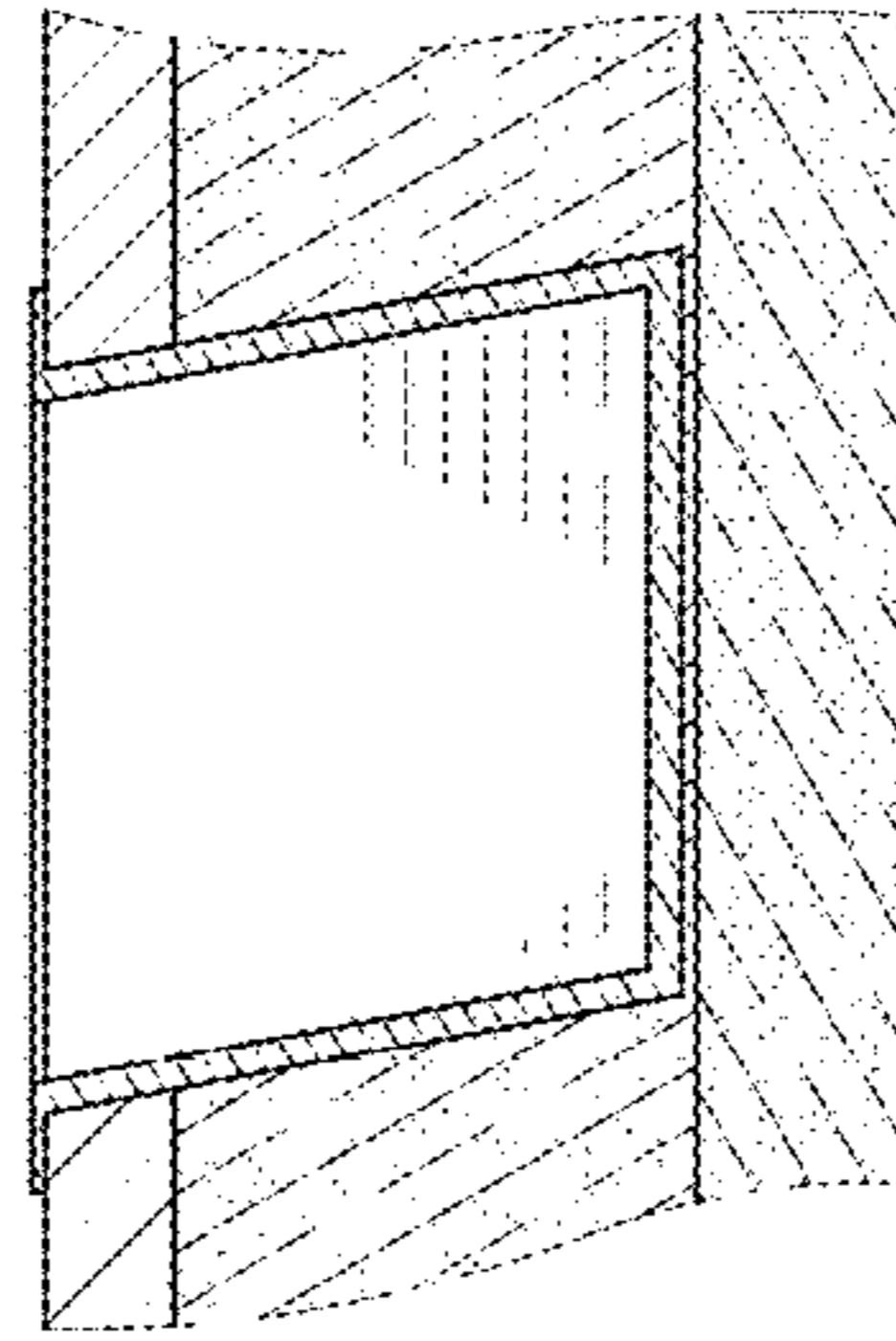


Fig. 9

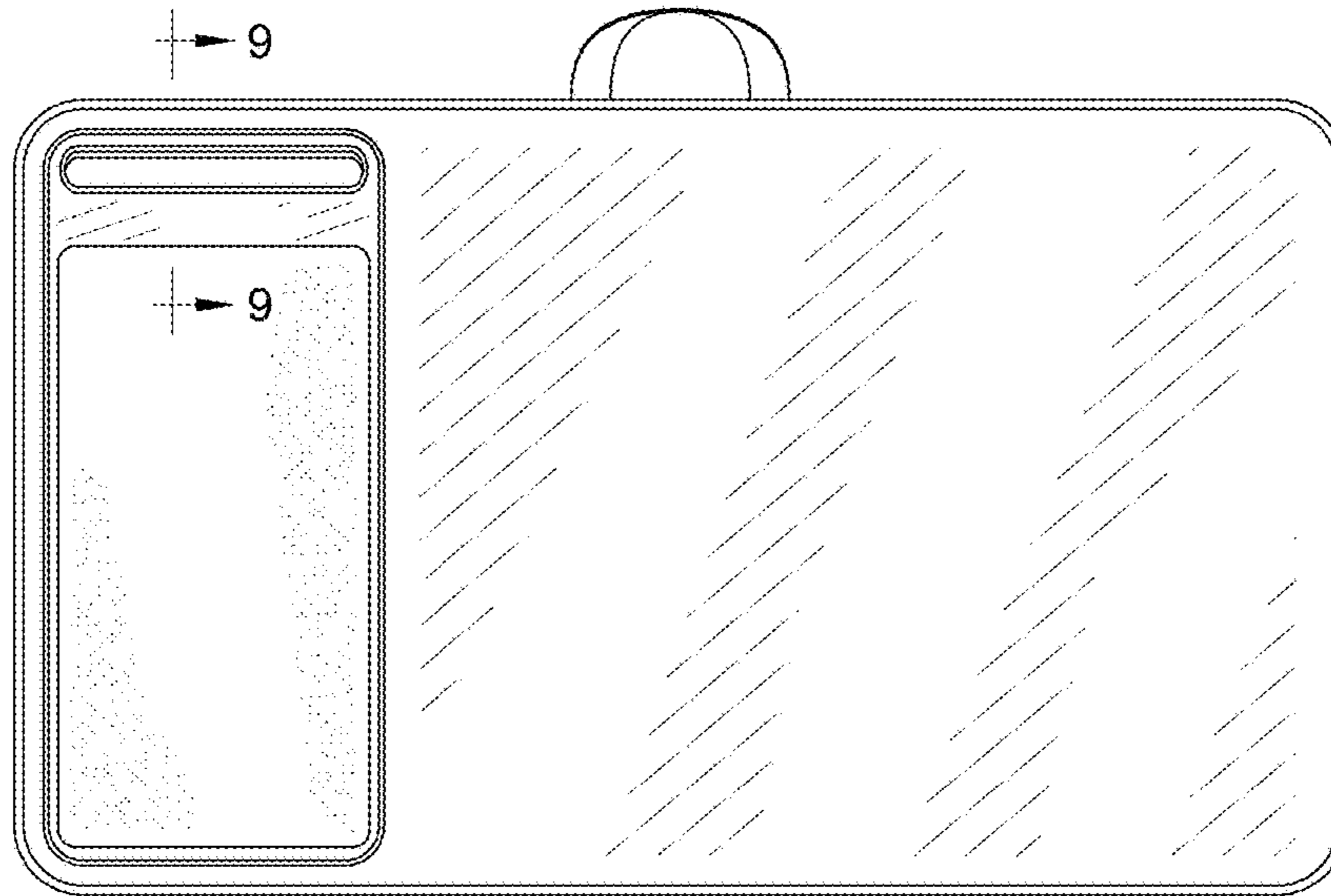


Fig. 10

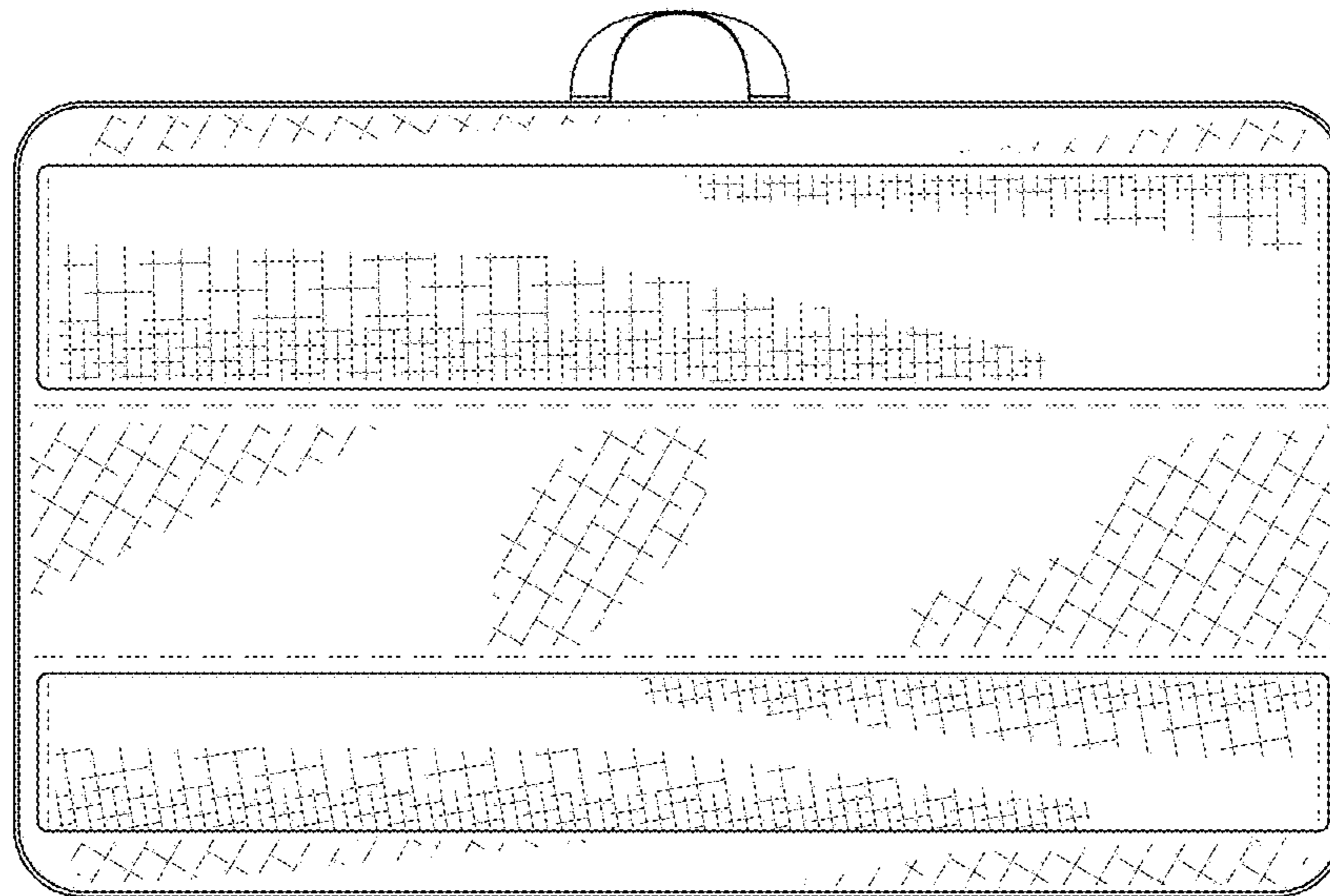


Fig. 11

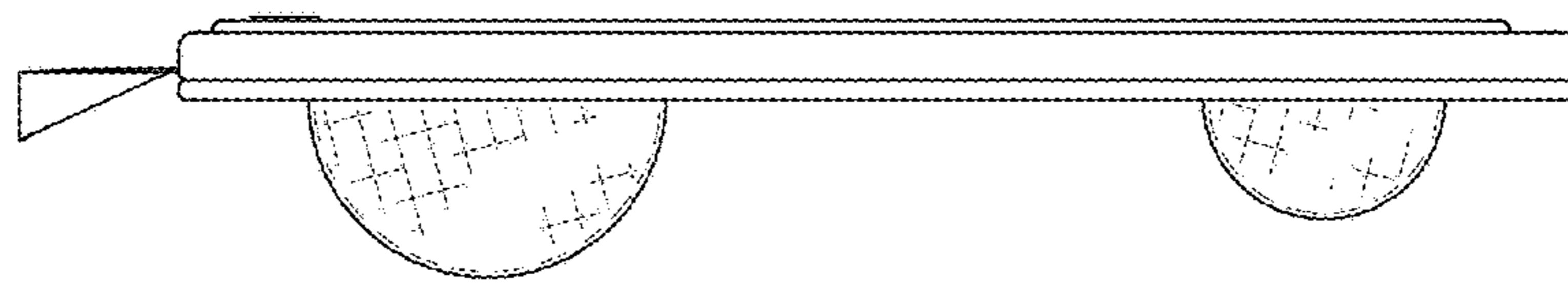


Fig. 12

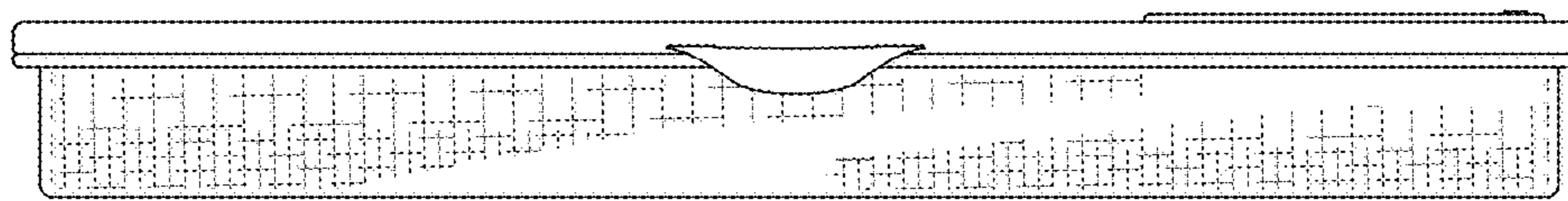


Fig. 13

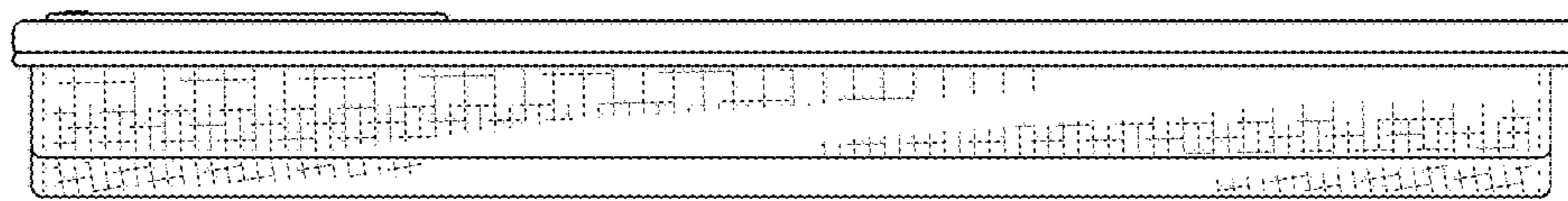


Fig. 14