



US00D836935S

(12) **United States Design Patent**  
**Aylmer**

(10) **Patent No.:** **US D836,935 S**  
(45) **Date of Patent:** **\*\* Jan. 1, 2019**

(54) **PEDIATRIC HOSPITAL BED**

(71) Applicant: **Praestet (Pty) Ltd.**, Johannesburg (ZA)

(72) Inventor: **Jed Damian Aylmer**, Johannesburg (ZA)

(73) Assignee: **PRAESTET (PTY) LTD.**, Johannesburg (ZA)

(\*\*) Term: **15 Years**

(21) Appl. No.: **29/563,207**

(22) Filed: **May 3, 2016**

(30) **Foreign Application Priority Data**

Nov. 3, 2015 (ZA) ..... A2015/01676  
Apr. 28, 2016 (ZA) ..... A2016/00607

(51) **LOC (11) Cl.** ..... **06-02**

(52) **U.S. Cl.**  
USPC ..... **D6/391**

(58) **Field of Classification Search**  
USPC ..... D6/383, 384, 390, 391, 392; D24/183,  
D24/185

(Continued)

(56) **References Cited**

**U.S. PATENT DOCUMENTS**

3,535,717 A \* 10/1970 Mulder ..... A47D 7/02  
5/93.1  
5,926,870 A \* 7/1999 Branca-Barnes ..... A47D 7/02  
5/100

(Continued)

**OTHER PUBLICATIONS**

Stryker Pediatric Crib, Gumbo Medical, site visited Aug. 22, 2017,  
available online: <https://gumbomedical.com/product/stryker-fl19-pediatric-fixed-height-cub-crib/>.\*

(Continued)

*Primary Examiner* — Cathron C Brooks

(74) *Attorney, Agent, or Firm* — Fay Sharpe LLP

(57) **CLAIM**

The ornamental design for pediatric hospital bed, as shown and described.

**DESCRIPTION**

FIG. 1 is a front view with all four sides in a raised position;  
FIG. 2 is a left front side view with all four sides in a raised position;  
FIG. 3 is a left side view with all four sides in a raised position;  
FIG. 4 is a left rear side view with all four sides in a raised position;  
FIG. 5 is a rear view with all four sides in a raised position;  
FIG. 6 is a right rear side view with all four sides in a raised position;  
FIG. 7 is a right side view with all four sides in a raised position;  
FIG. 8 is a right front side view with all four sides in a raised position;  
FIG. 9 is an upper front view with all four sides in a raised position;  
FIG. 10 is an upper left front view with all four sides in a raised position;  
FIG. 11 is an upper left side view with all four sides in a raised position;  
FIG. 12 is an upper left rear view with all four sides in a raised position;  
FIG. 13 is an upper rear view with all four sides in a raised position;  
FIG. 14 is an upper right rear view with all four sides in a raised position;  
FIG. 15 is an upper right side view with all four sides in a raised position;  
FIG. 16 is an upper right front view with all four sides in a raised position;  
FIG. 17 is a lower front view with all four sides in a raised position;  
FIG. 18 is a lower left front view with all four sides in a raised position;

(Continued)

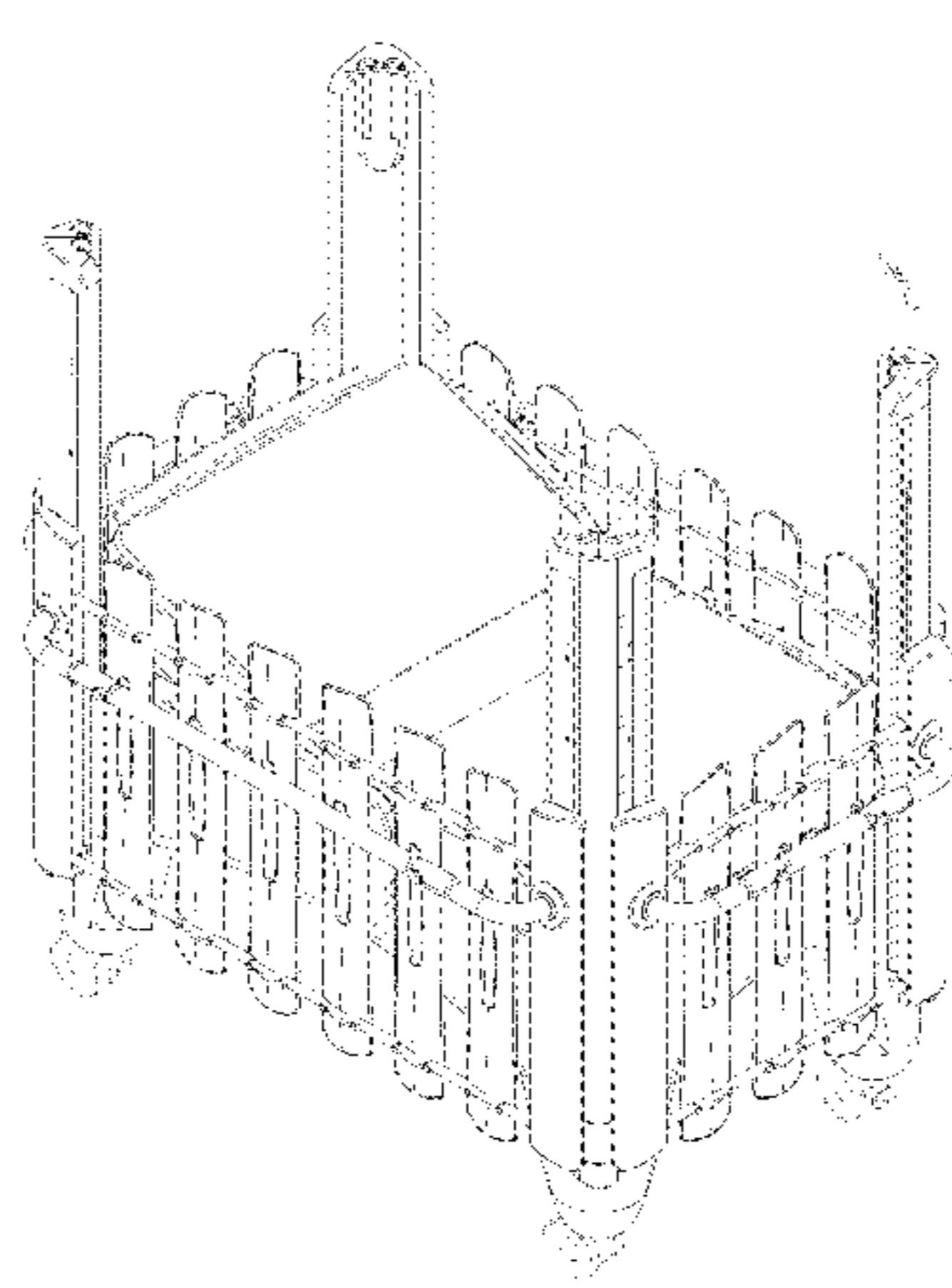
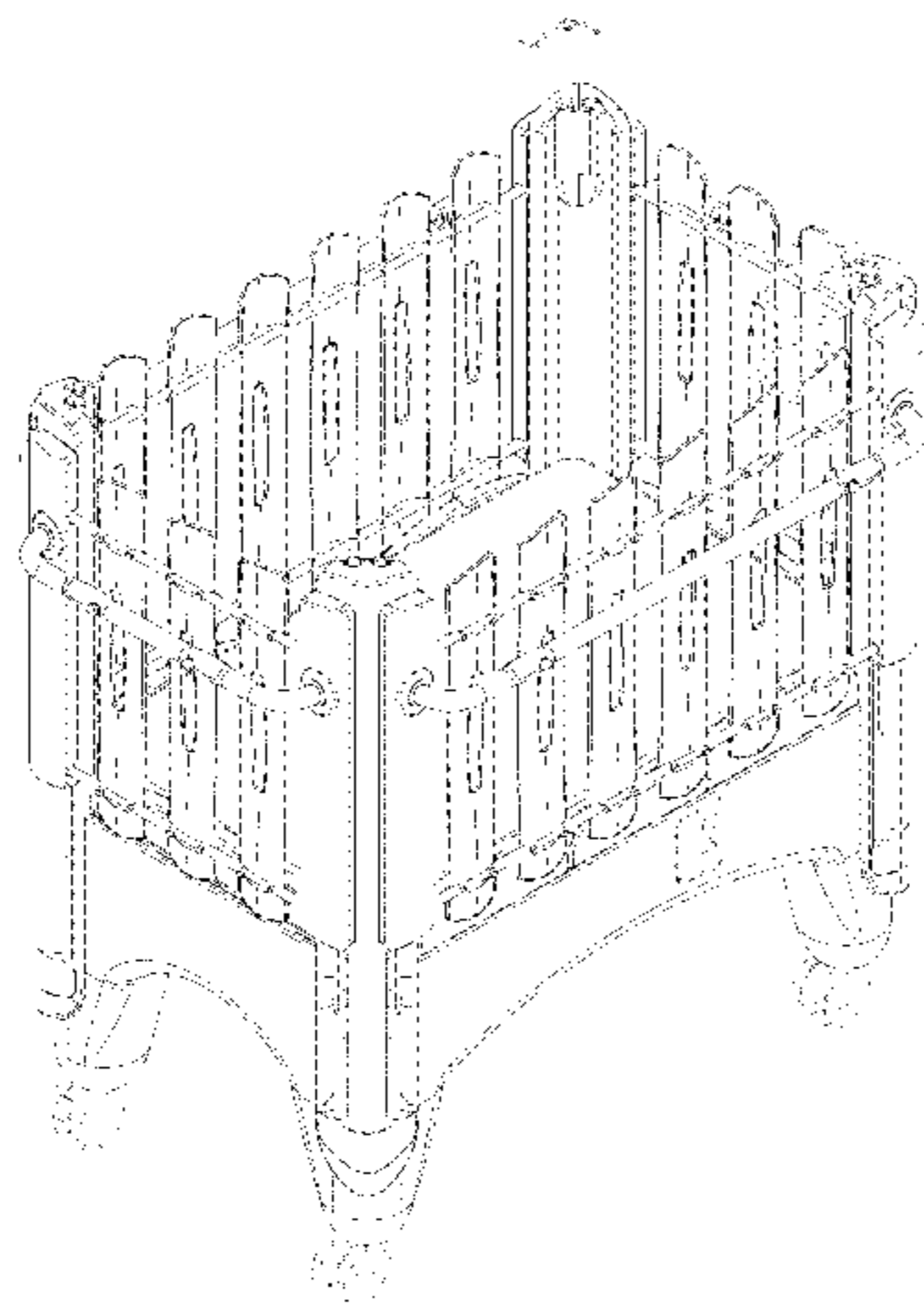


FIG. 19 is a lower left side view with all four sides in a raised position;  
 FIG. 20 is a lower left rear view with all four sides in a raised position;  
 FIG. 21 is a lower rear view with all four sides in a raised position;  
 FIG. 22 is a lower right rear view with all four sides in a raised position;  
 FIG. 23 is a lower right side view with all four sides in a raised position;  
 FIG. 24 is a lower right front view with all four sides in a raised position;  
 FIG. 25 is a top view with all four sides in a raised position;  
 FIG. 26 is a bottom view with all four sides in a raised position;  
 FIG. 27 is an upper right front view with the front side in a lowered position;  
 FIG. 28 is an upper right front view with the rear side in a lowered position;  
 FIG. 29 is an upper right front view with the left side in a lowered position;  
 FIG. 30 is an upper right front view with the right side in a lowered position;  
 FIG. 31 is an upper right front view with all four sides in a lowered position, and the bed in a Trendelenburg position;  
 FIG. 32 is an upper right front view with all four sides of the bed in a lowered position, and the right portion of the base in a semi-Fowler's position; and,  
 FIG. 33 is an upper right front view with all four sides of the bed in a lowered position, and the left portion of the base in a semi-Fowler's position.  
 The broken lines of FIGS. 1-33 showing the four wheels, the two features in the upper corners, and the features on the

bottom surface illustrate portions of the pediatric hospital bed that form no part of the claimed design.

**1 Claim, 33 Drawing Sheets**

(58) **Field of Classification Search**

CPC ... A47D 7/00; A47D 7/02; A47D 7/03; A61G 7/002; A61G 7/005; A61G 7/0507; A61G 11/00; A61G 11/005

See application file for complete search history.

(56)

**References Cited**

U.S. PATENT DOCUMENTS

D761,035	S *	7/2016	Evans	.....	D6/390
2003/0028966	A1 *	2/2003	Lemire	.....	A47C 29/003 5/603
2003/0135923	A1 *	7/2003	Godin	.....	A47D 7/02 5/100
2011/0203049	A1 *	8/2011	Carta	.....	A47D 7/03 5/93.1

OTHER PUBLICATIONS

Sigma BP-500 Pediatric Crib, sigmabed.com, site visited Aug. 22, 2017, available online: <http://www.sigmabed.com/s/2/product-126414/Pediatric-crib-BP-500.html>.\*

Pedigo Pediatric Crib, Oprax Medical, site visited Aug. 22, 2017, available online: <http://www.opraxmedical.com/Accessories/ExamRoom/Stretchers/Pedigo/500/>.\*

\* cited by examiner

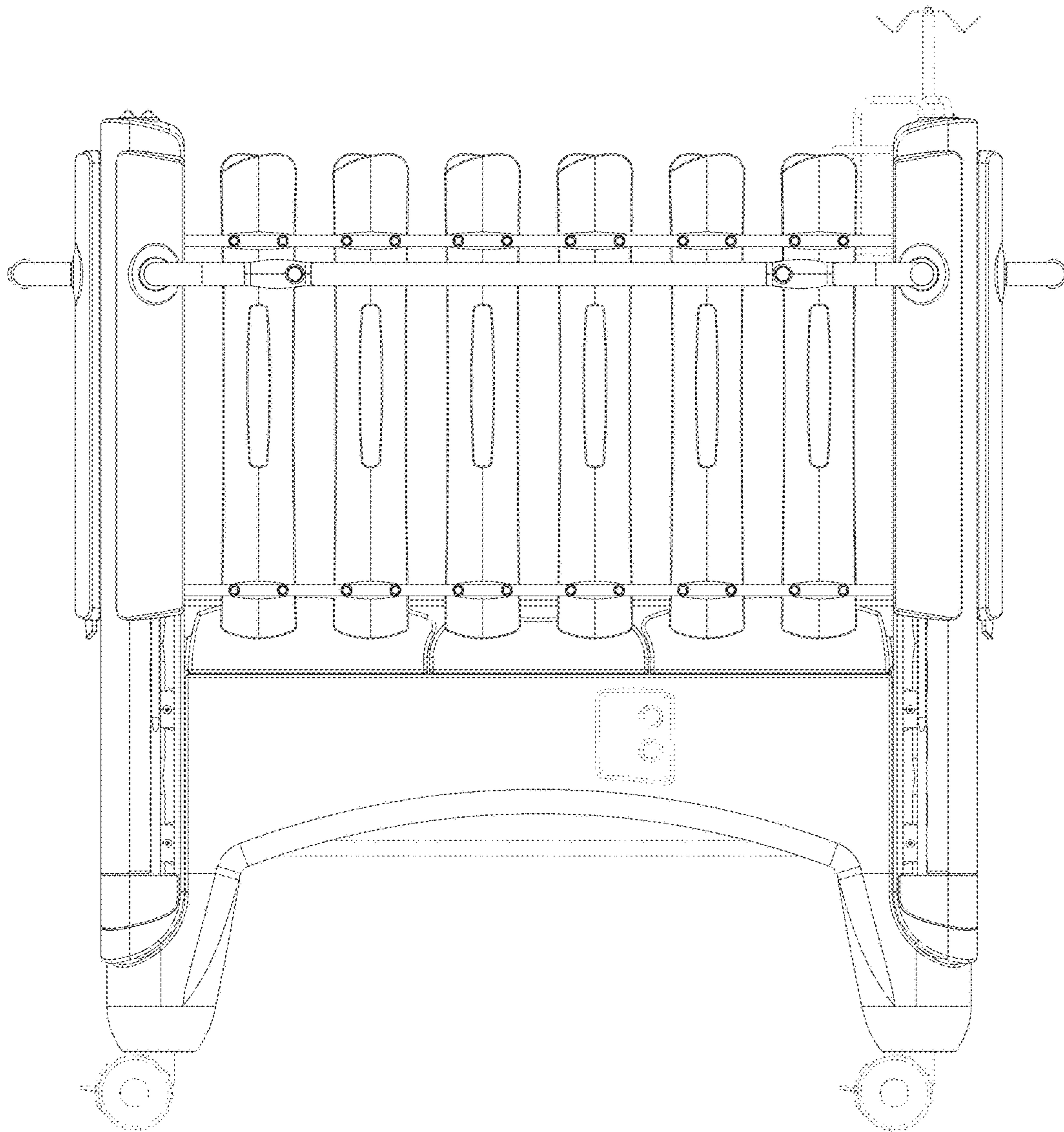


FIG. 1

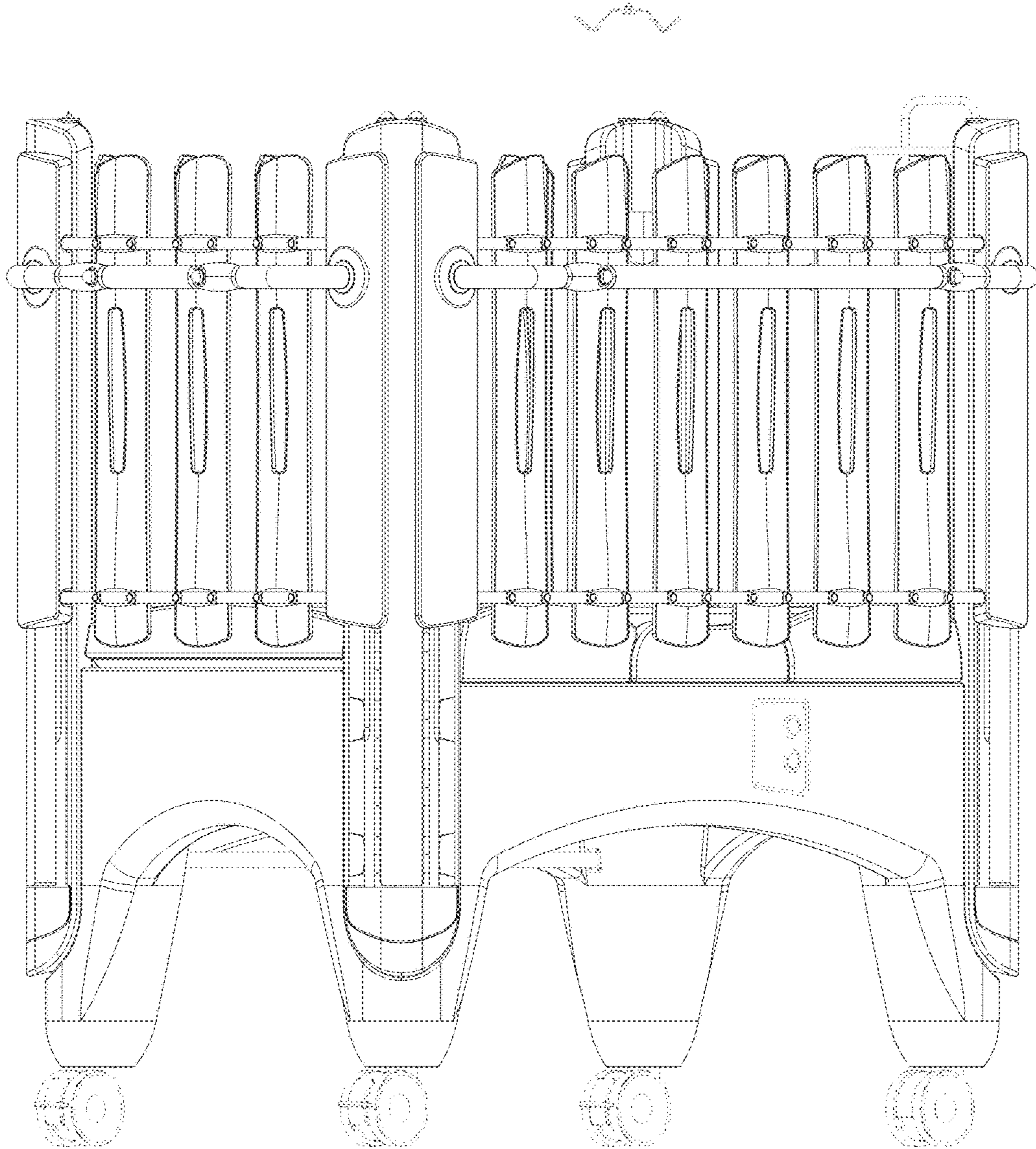


FIG. 2

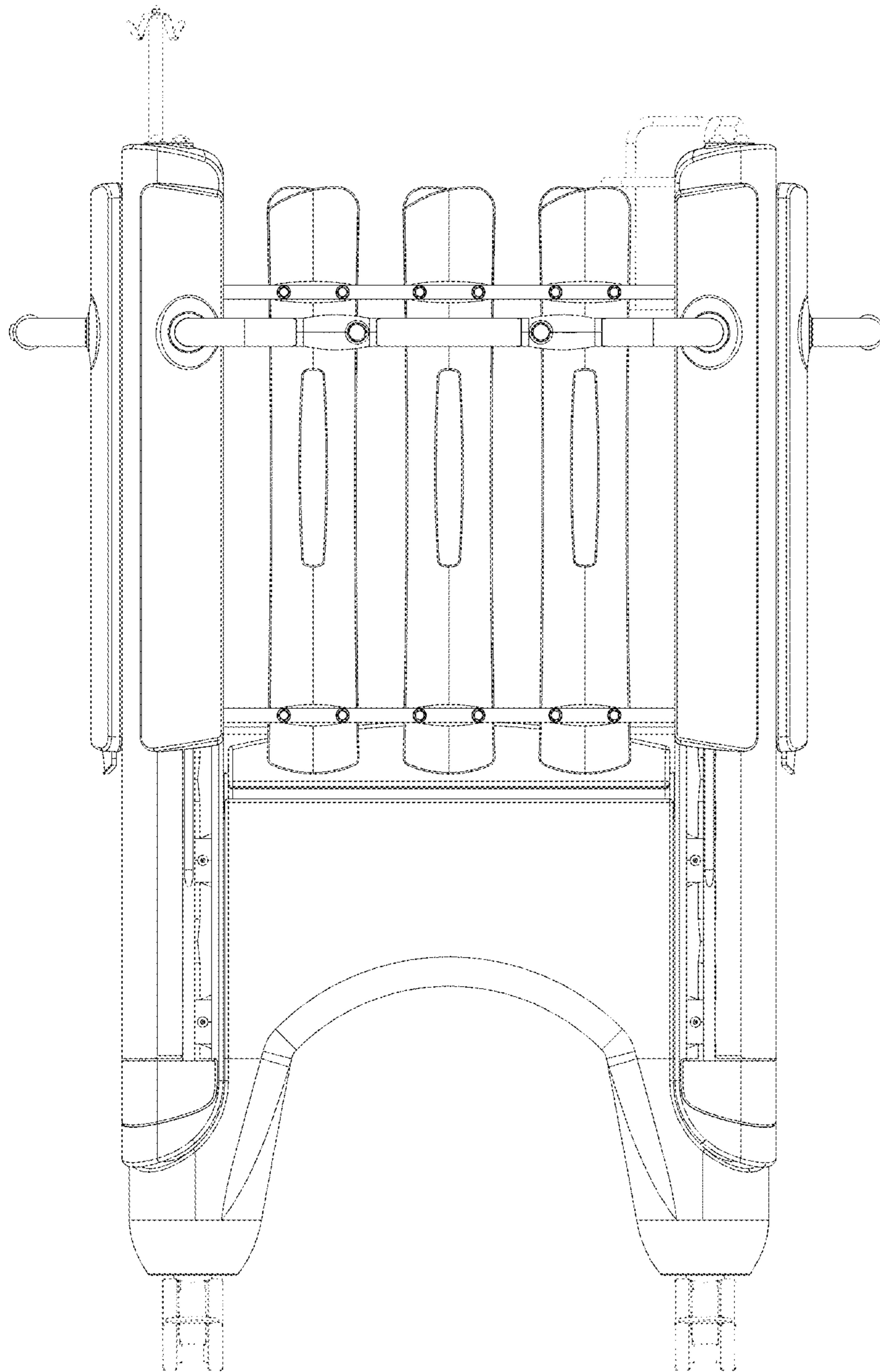


FIG. 3

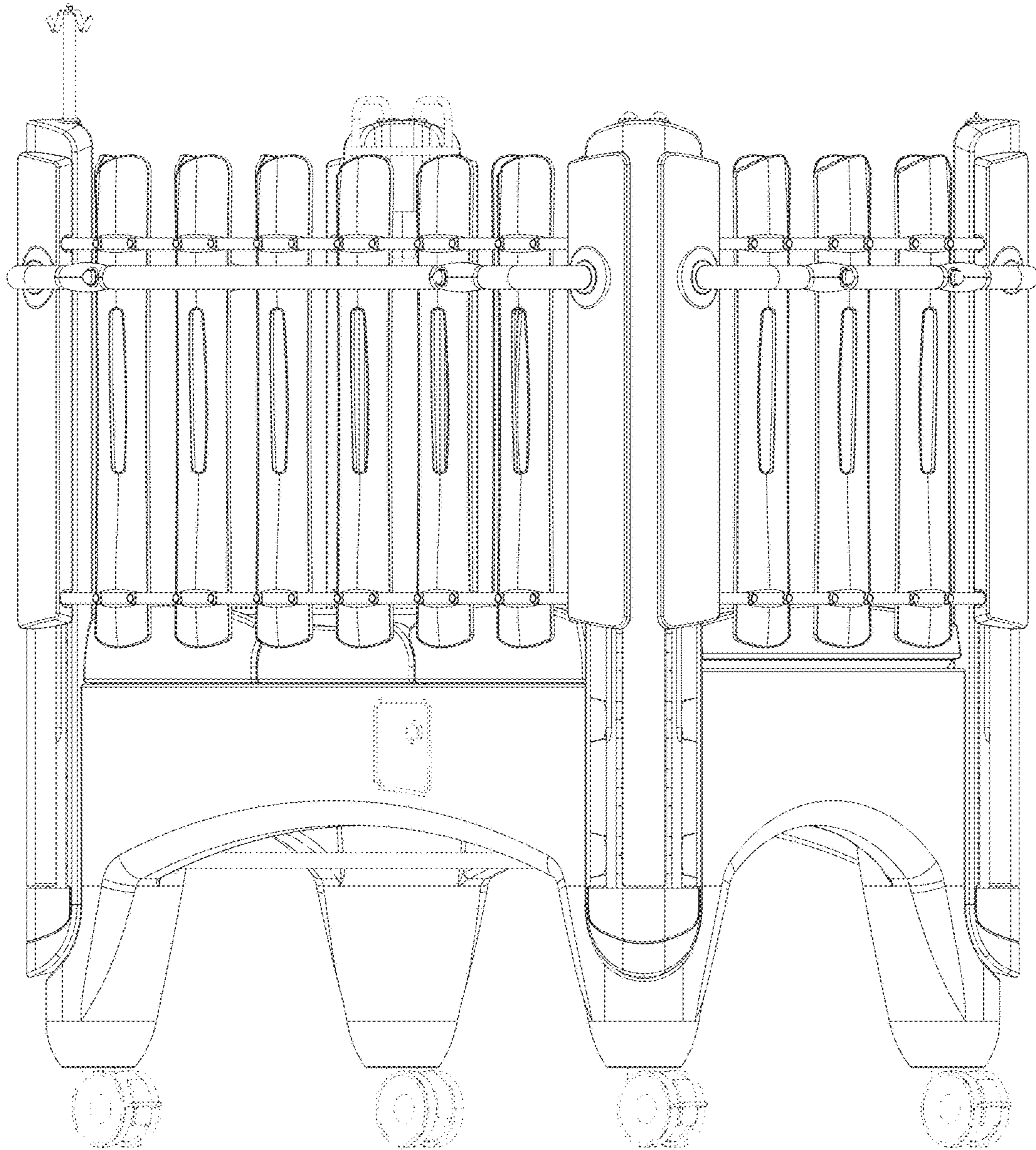


FIG. 4

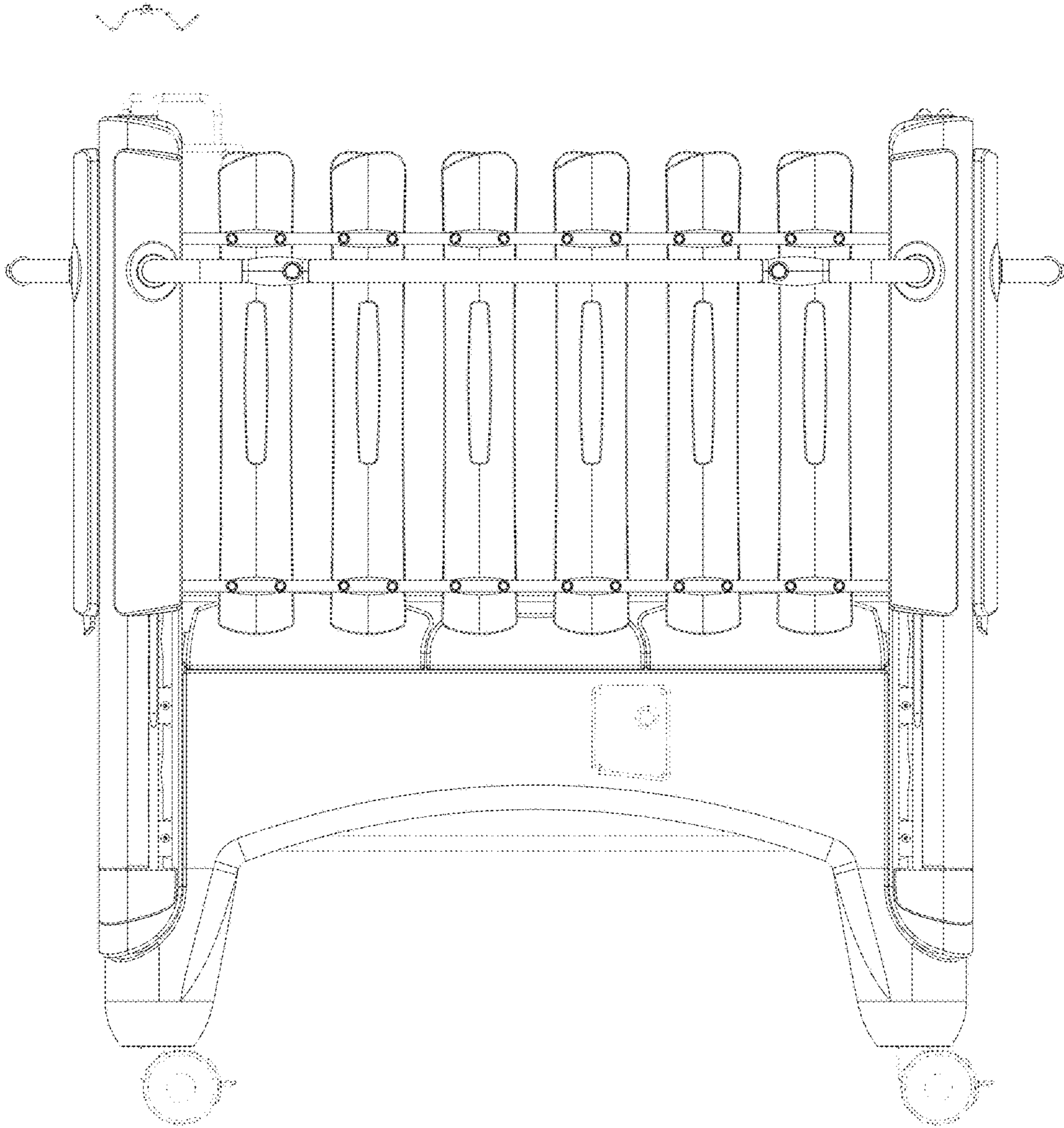


FIG. 5

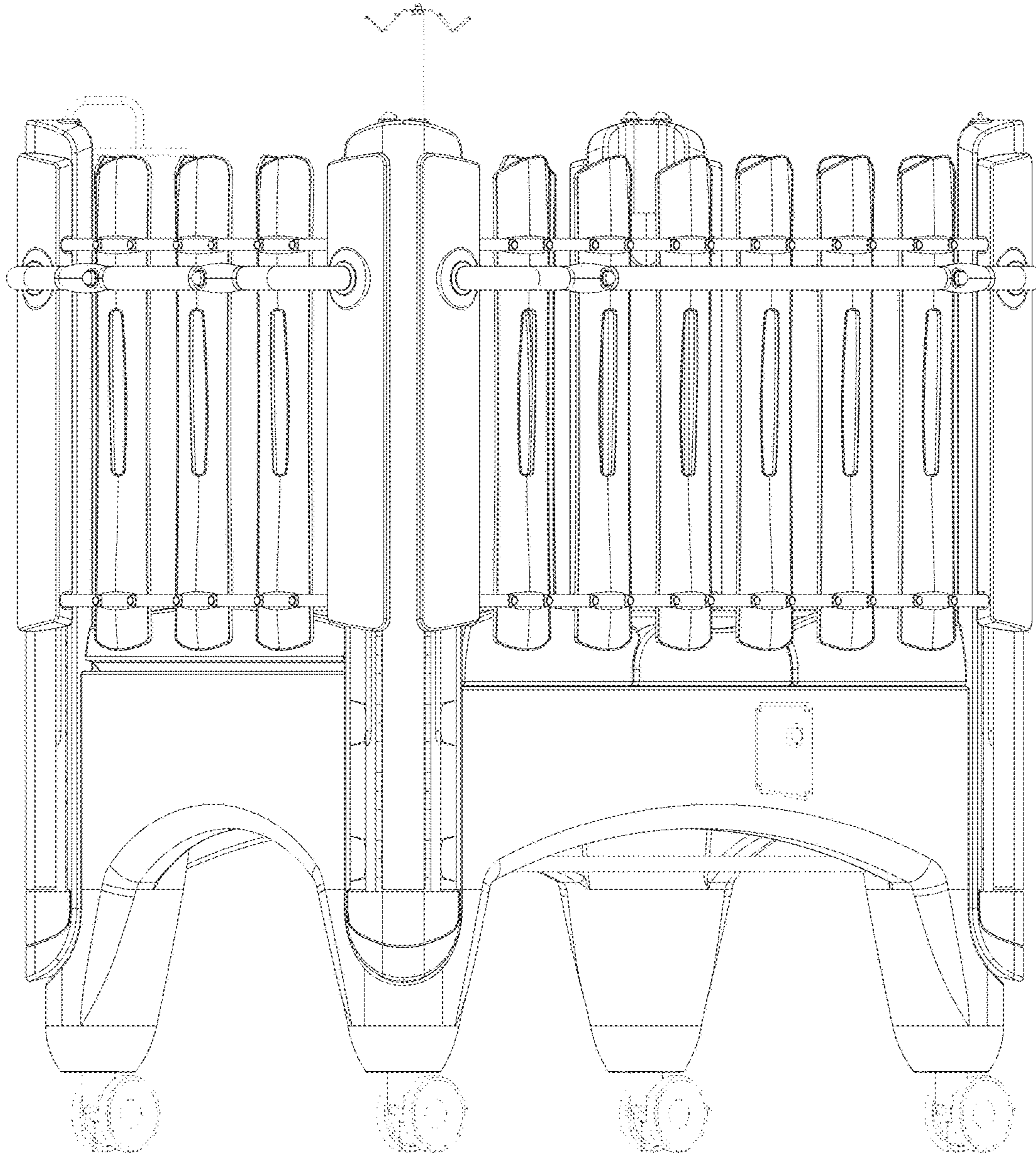


FIG. 6



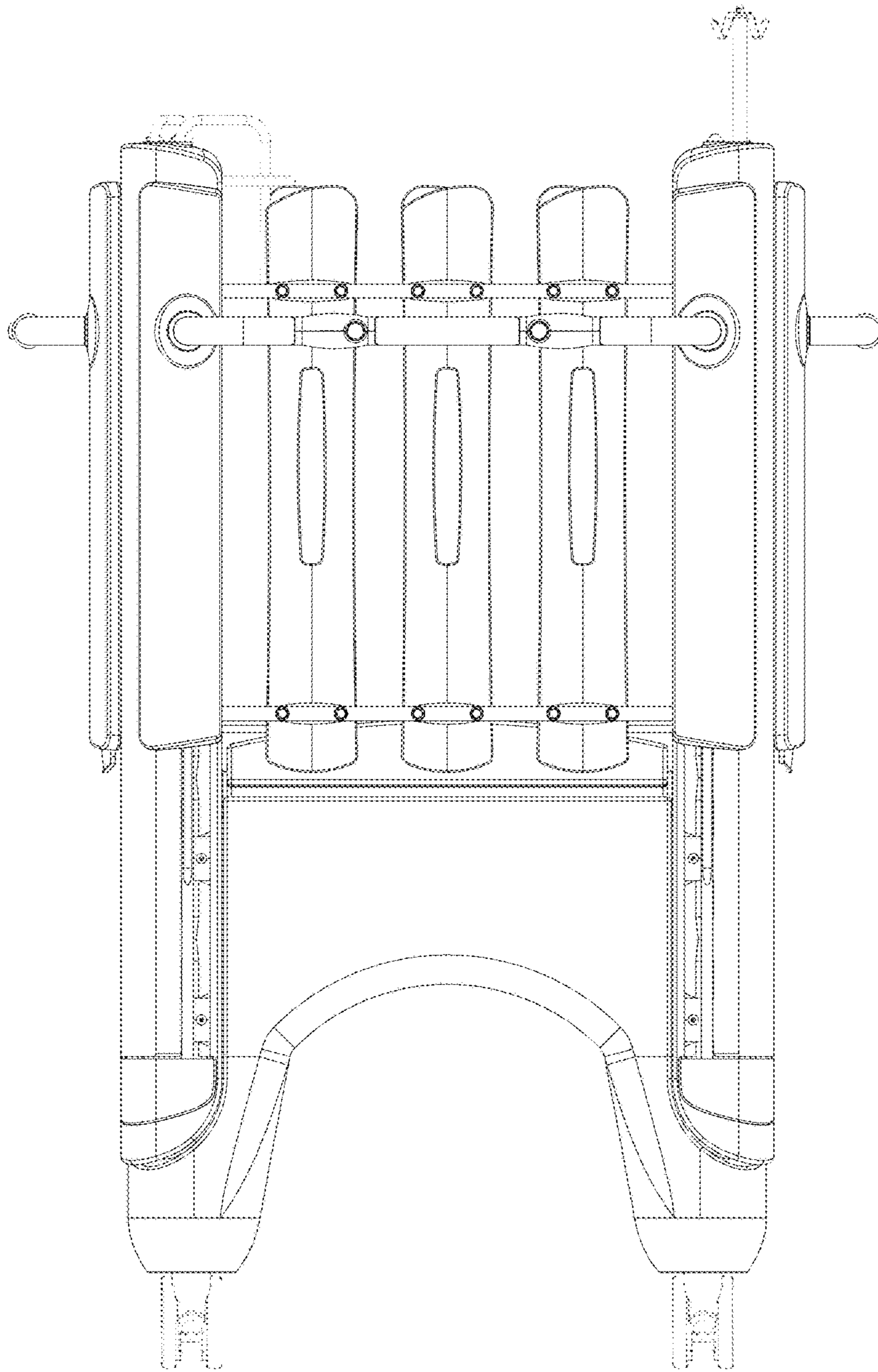


FIG. 7

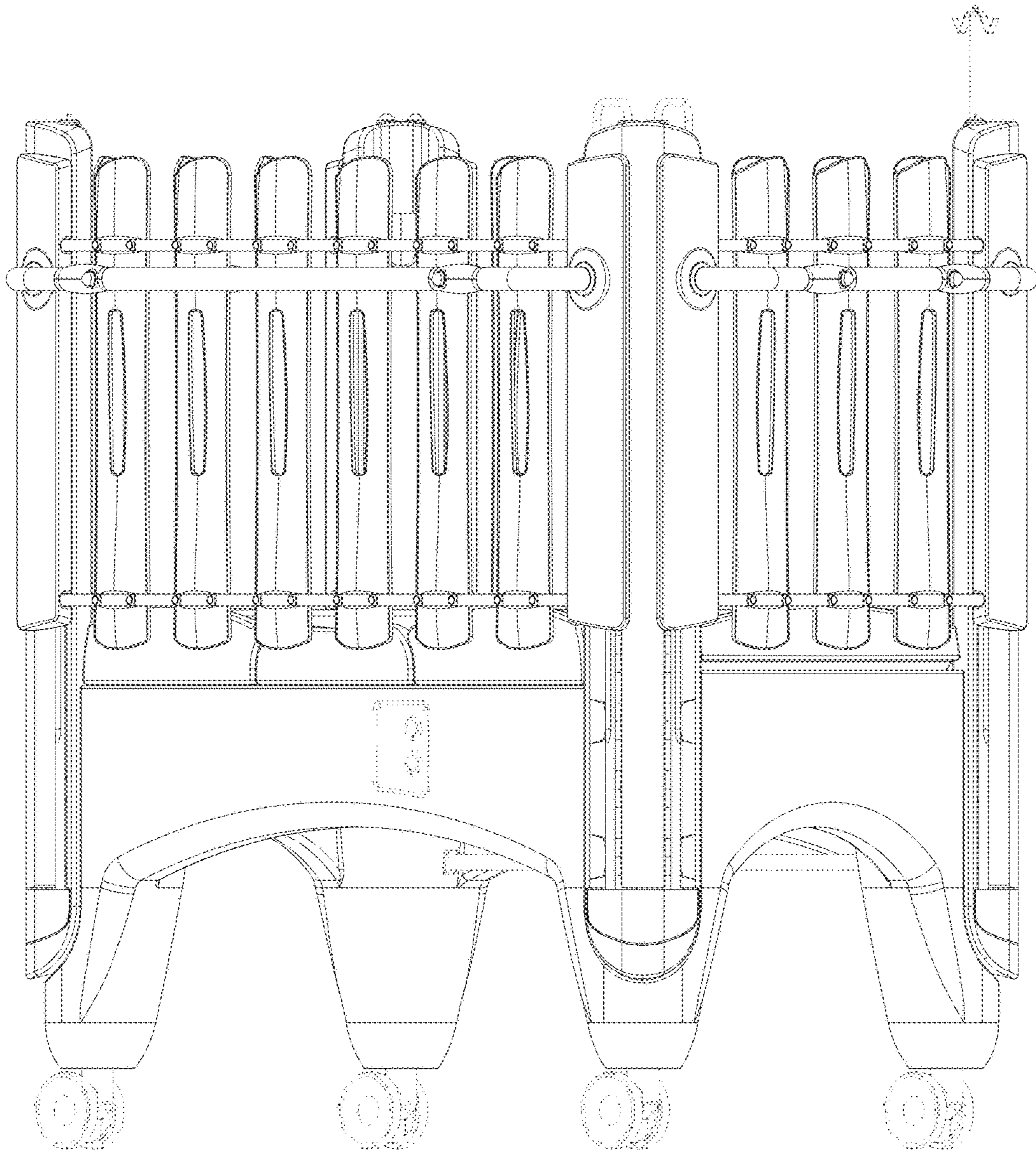


FIG. 8

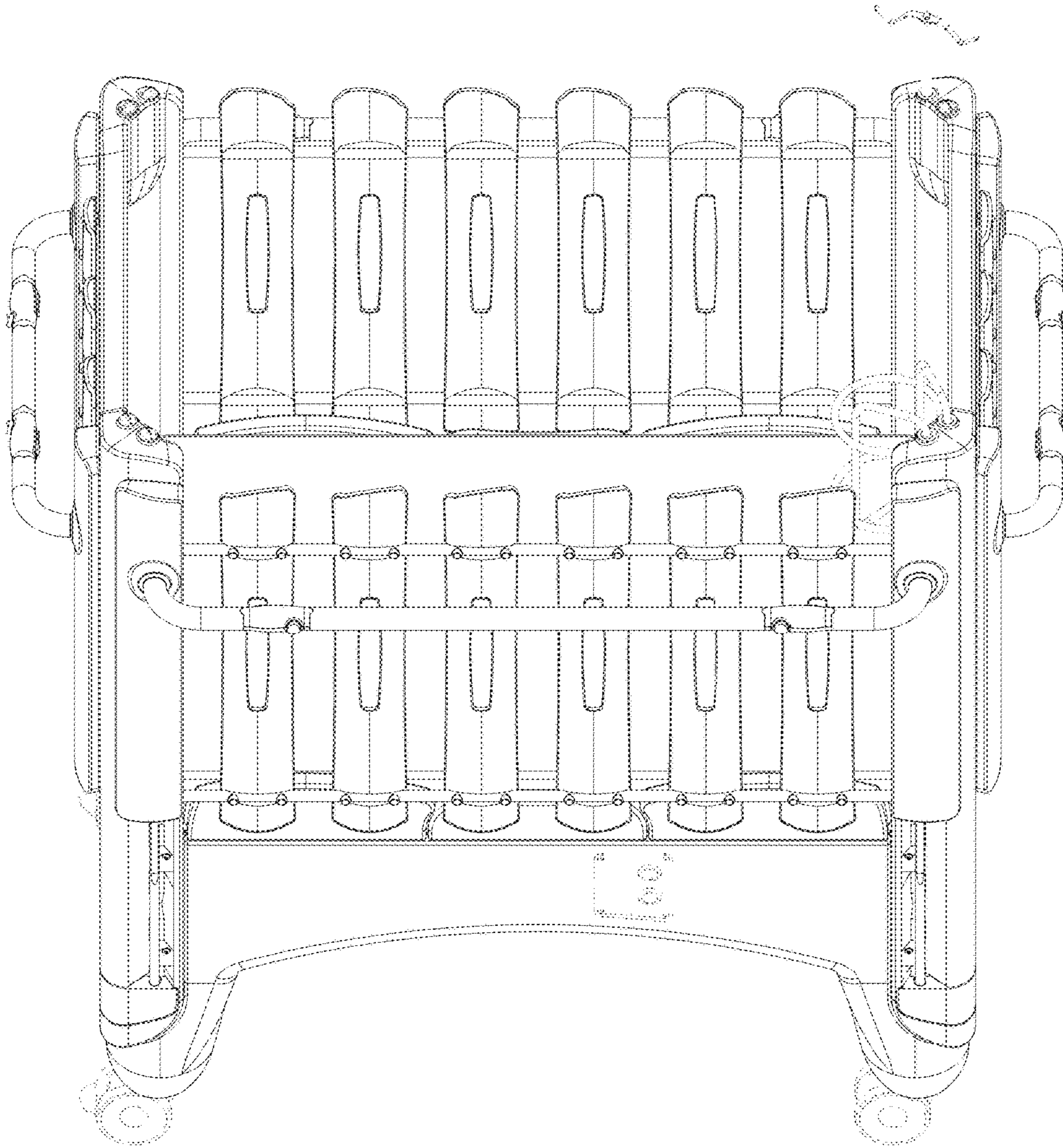


FIG. 9

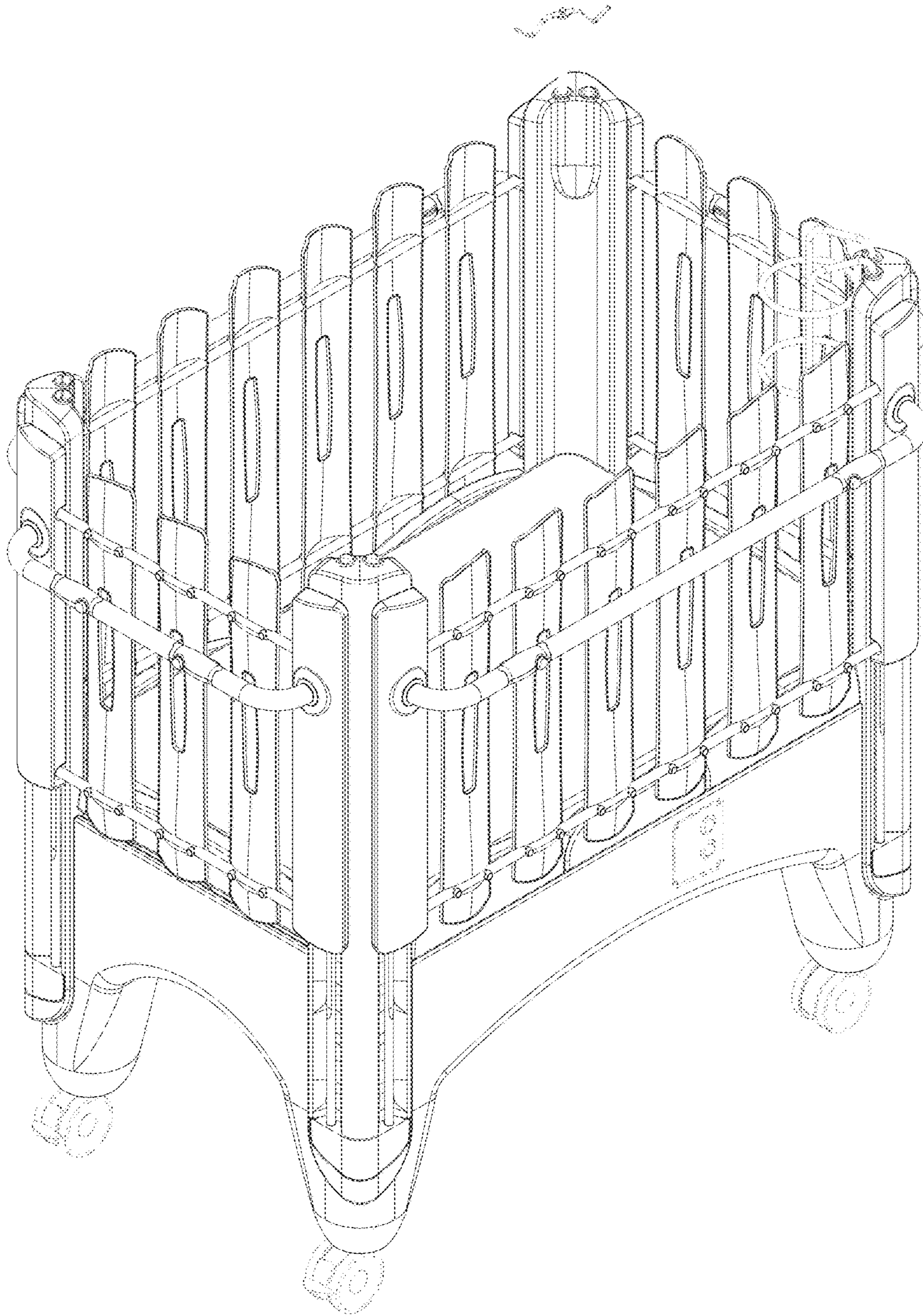


FIG. 10

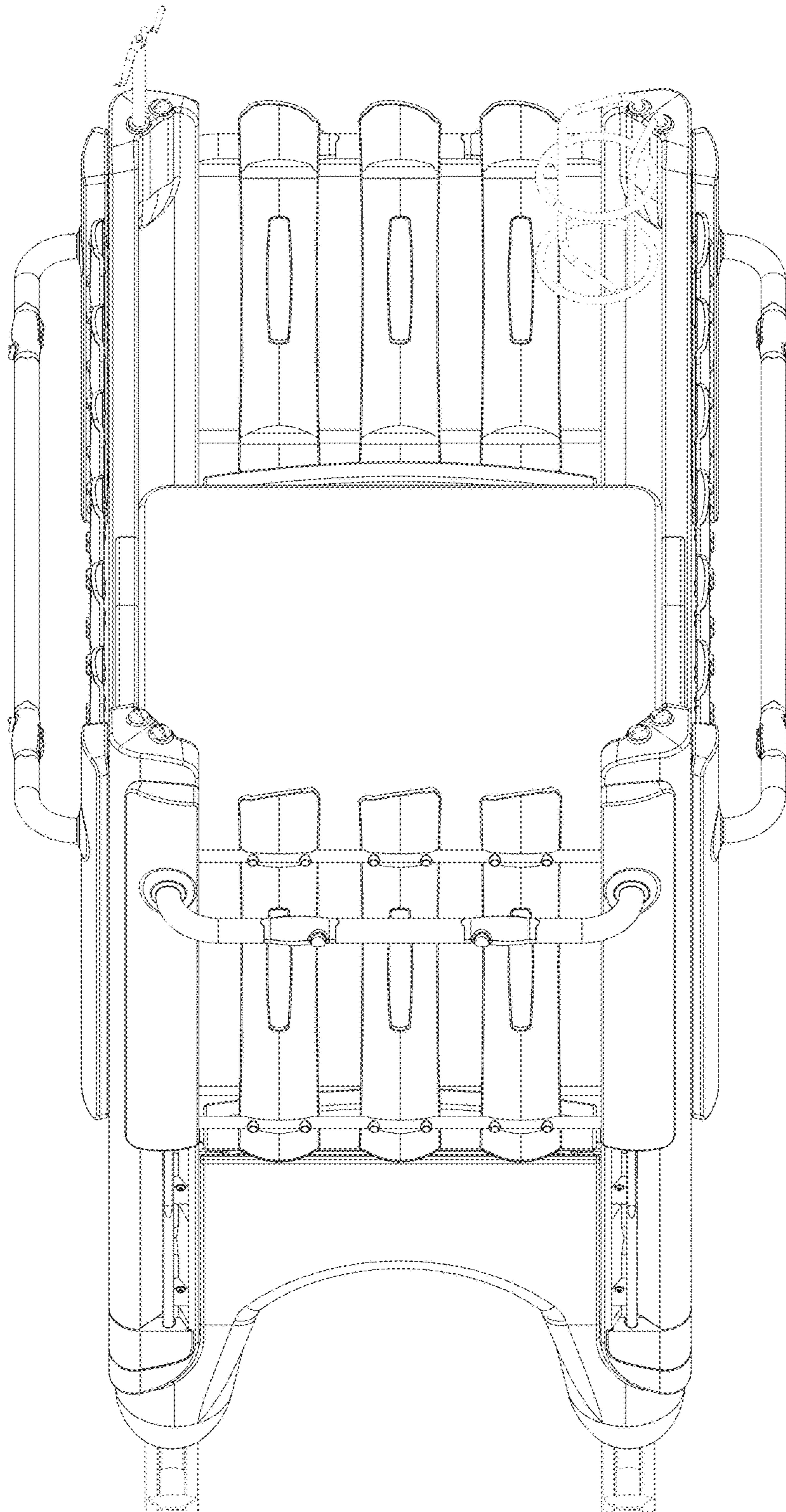


FIG. 11

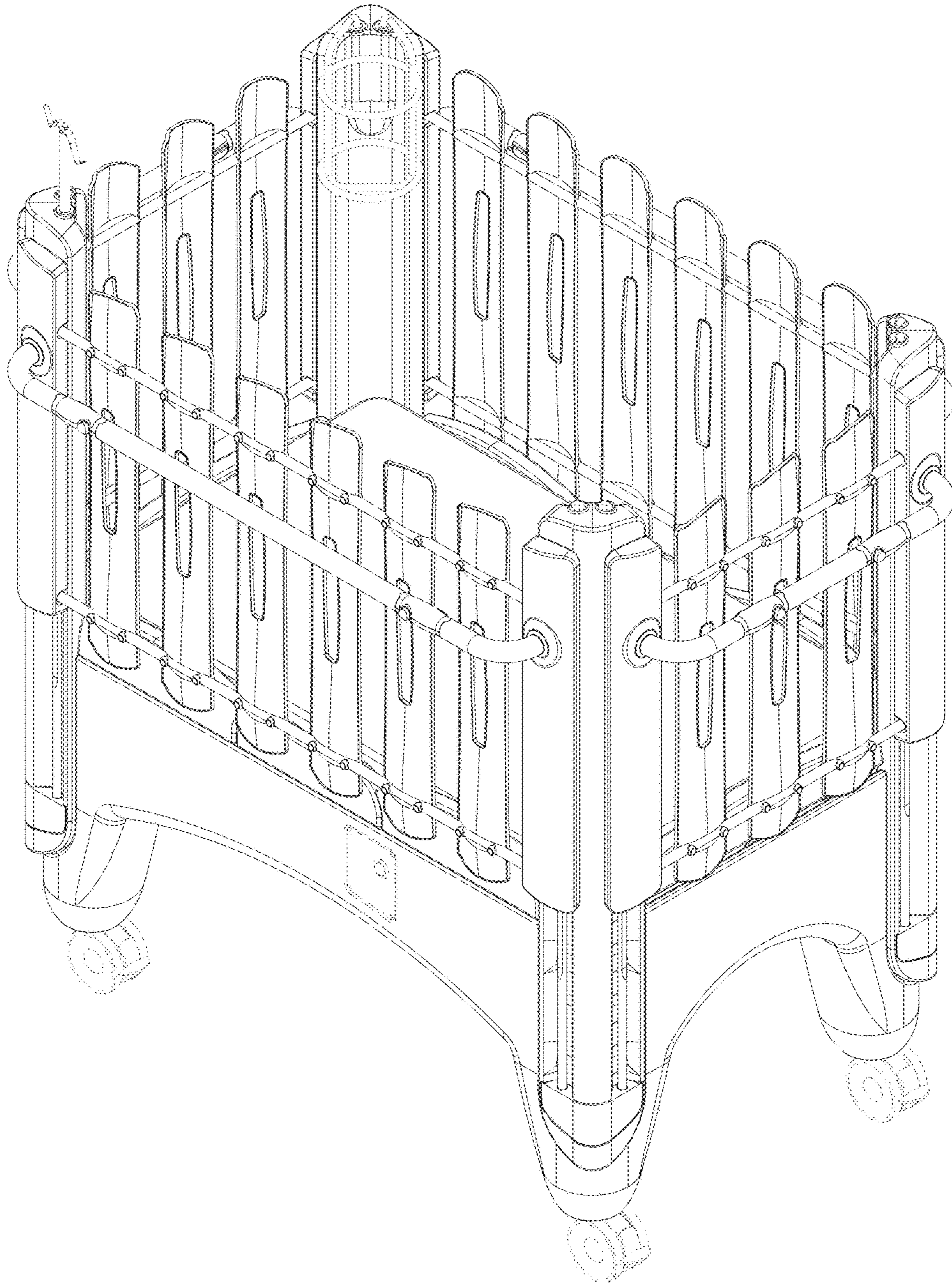


FIG. 12

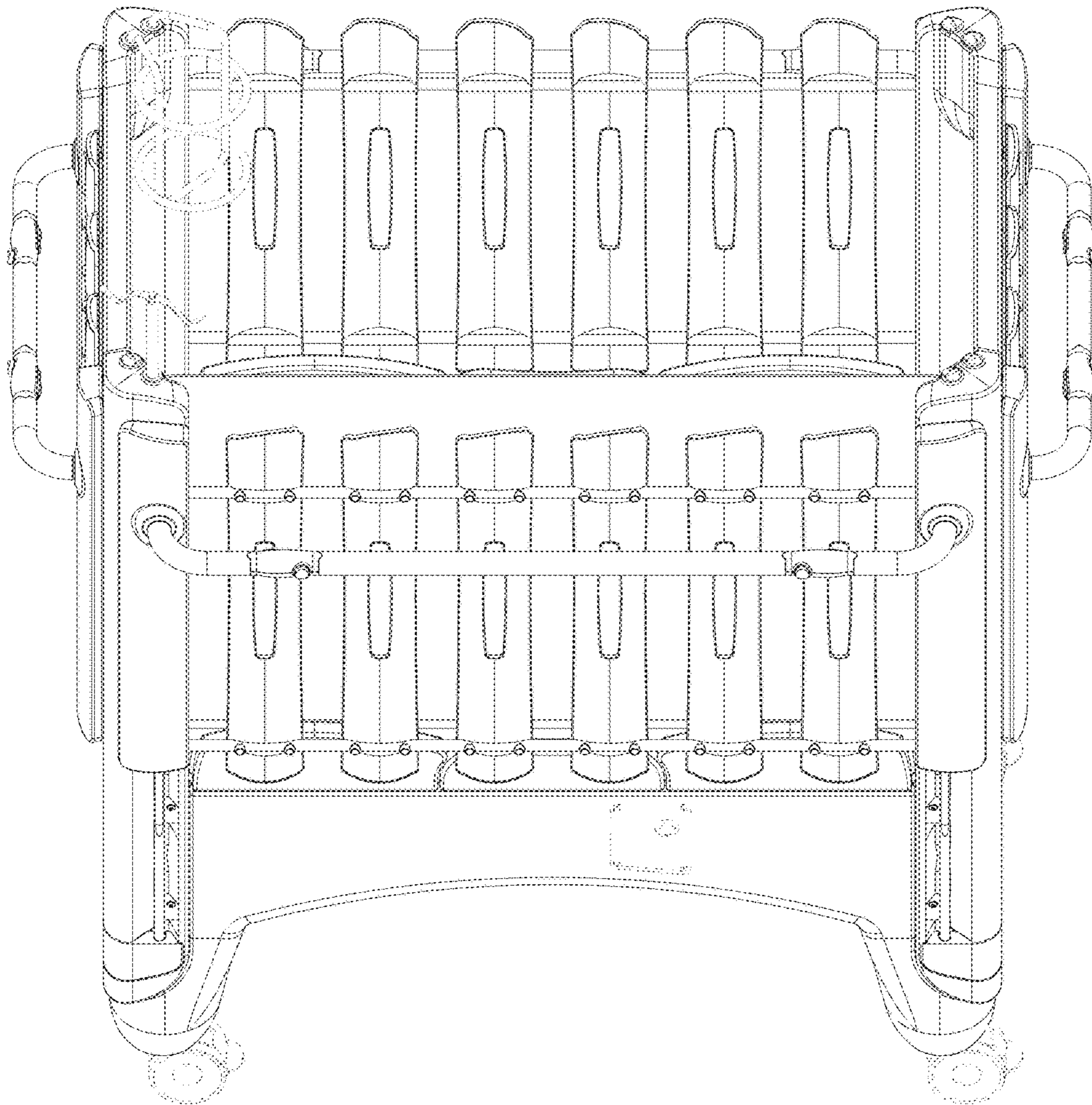


FIG. 13

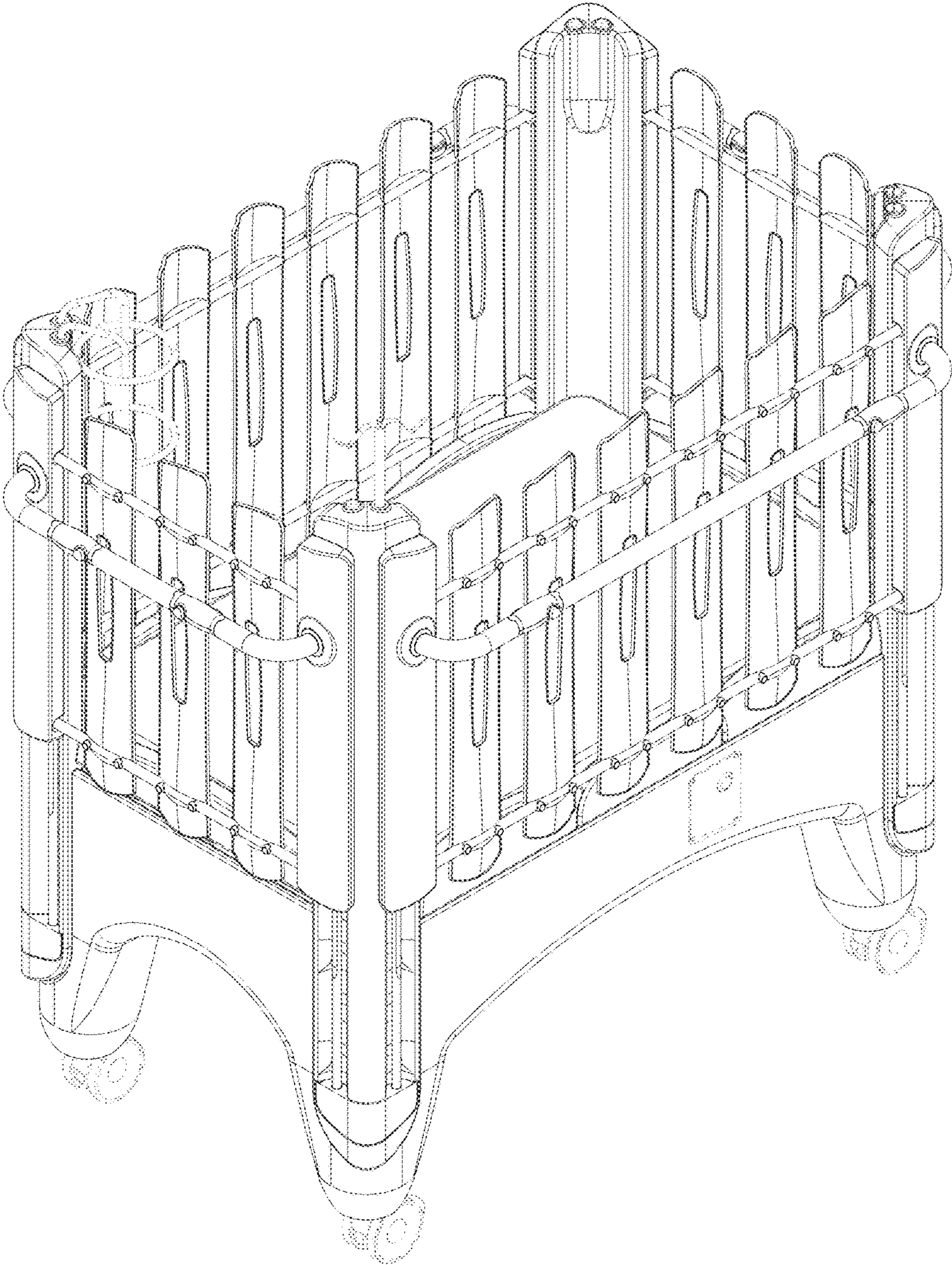


FIG. 14



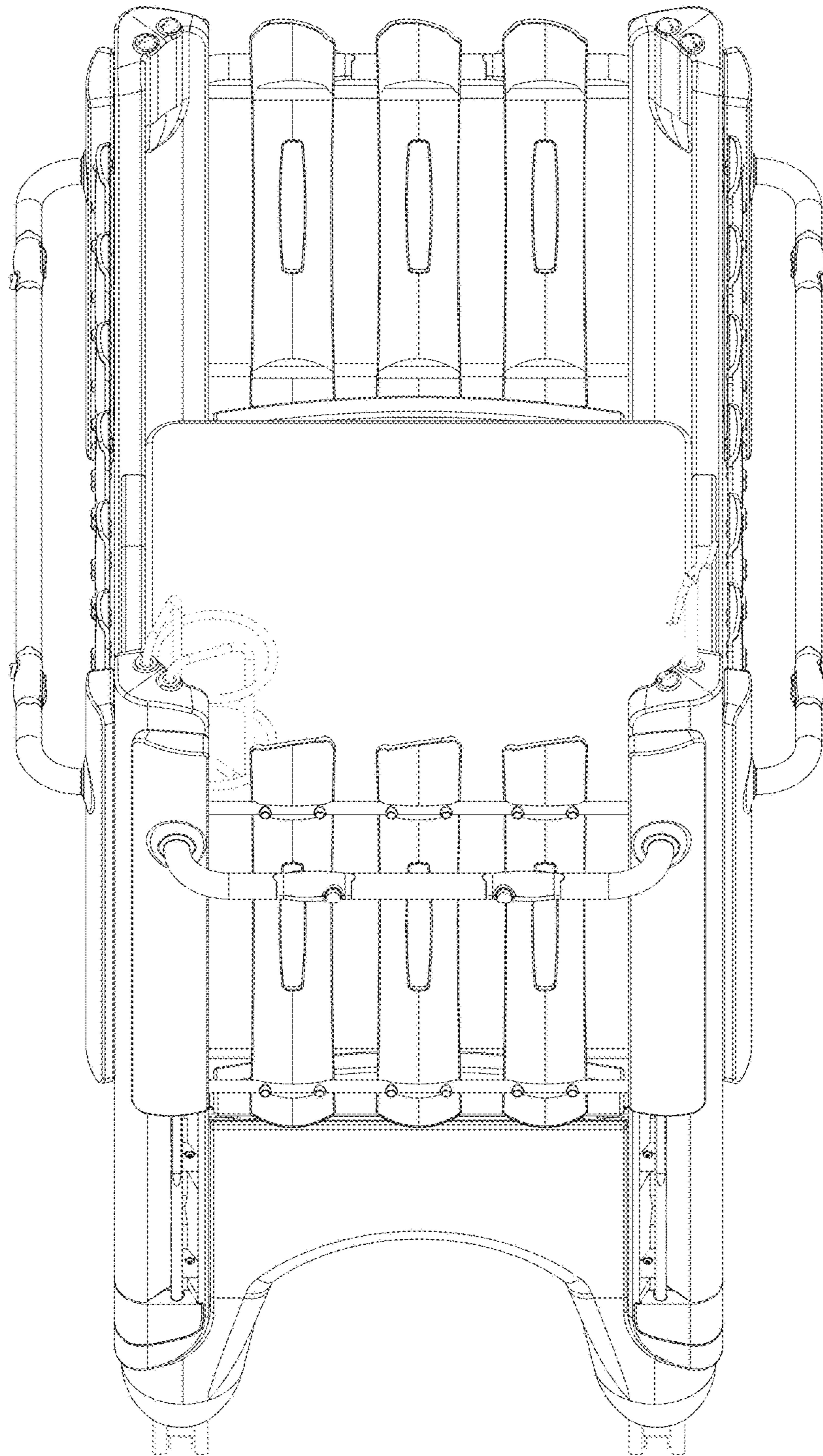


FIG. 15

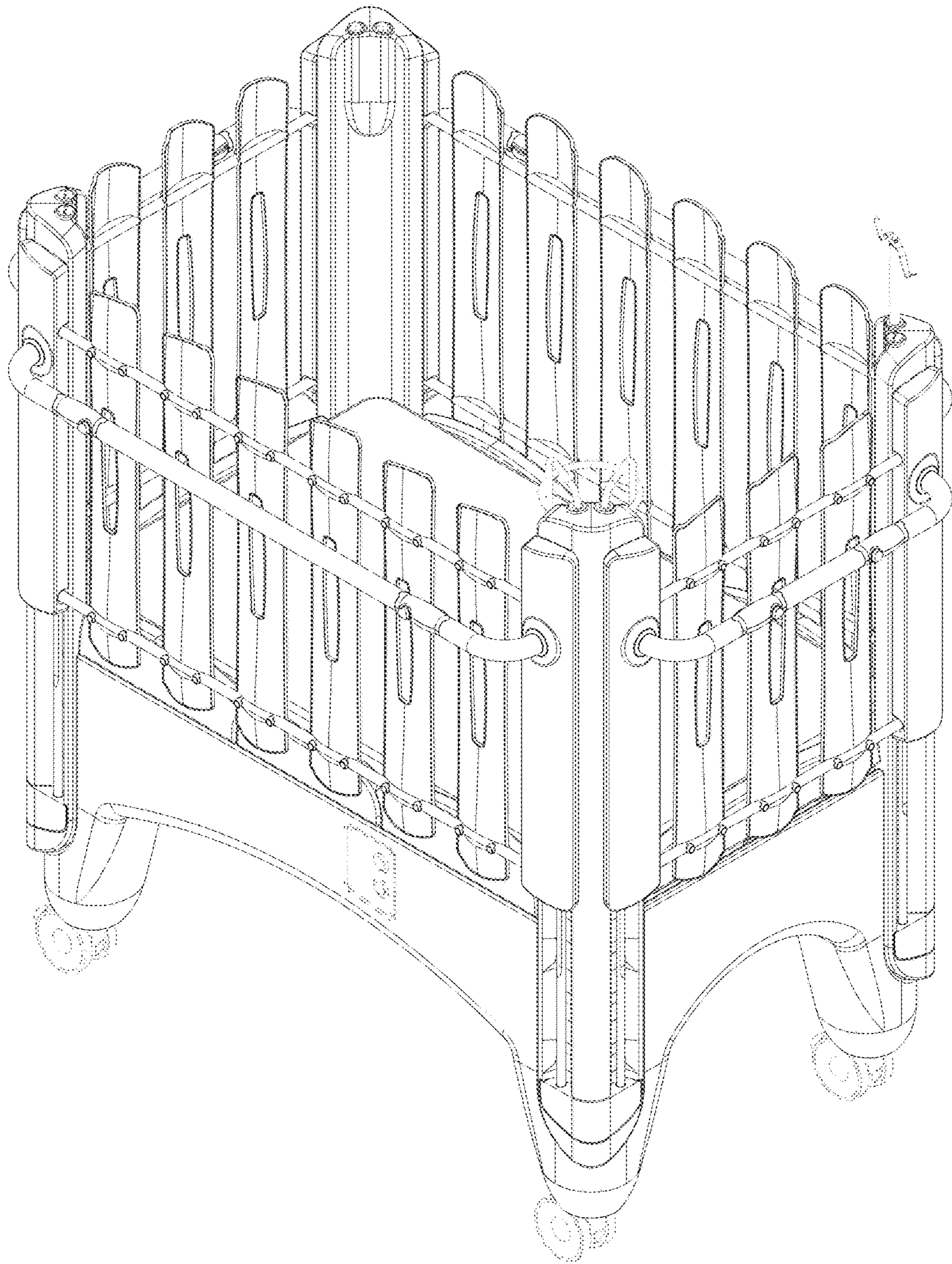


FIG. 16

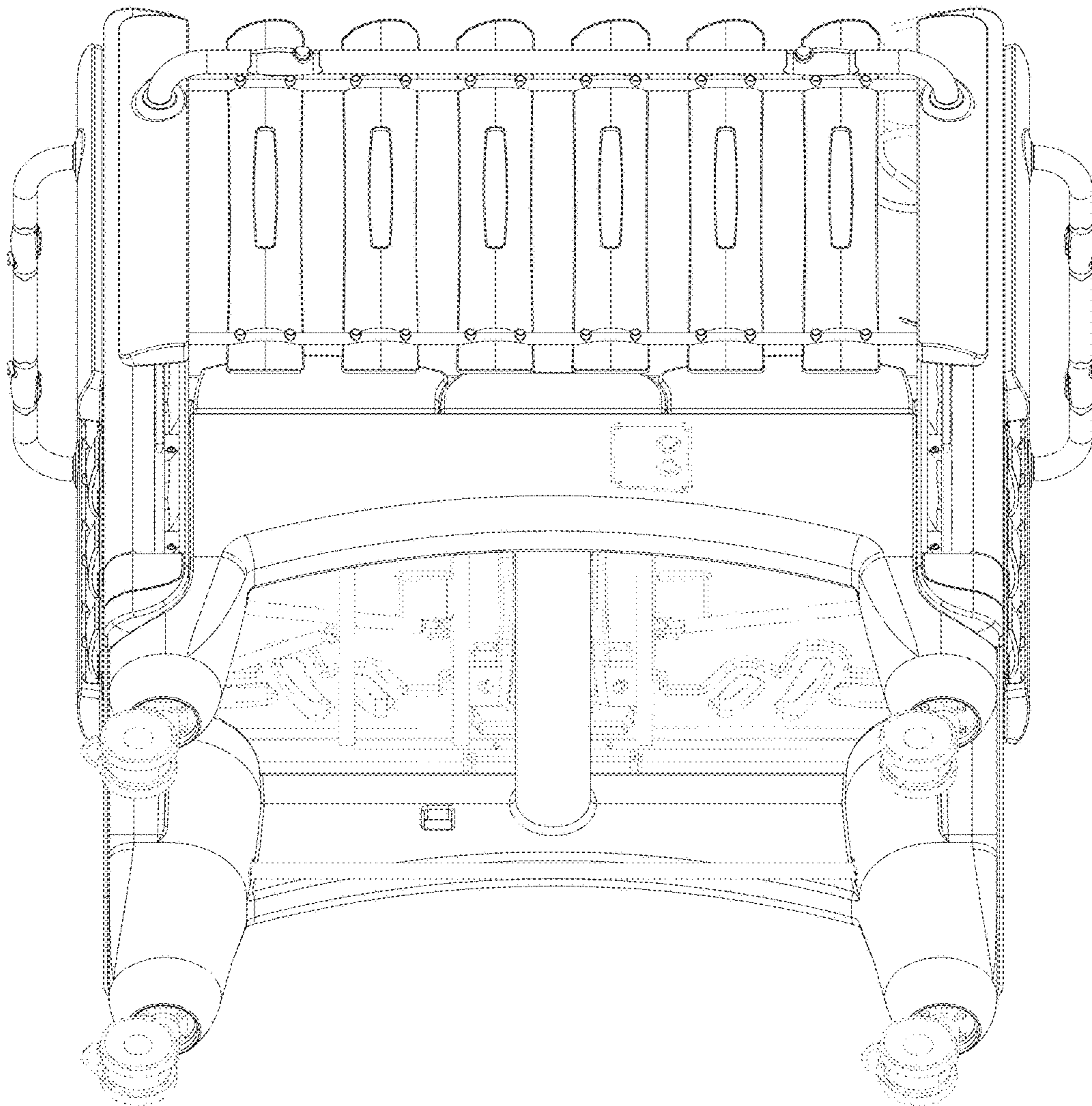


FIG. 17

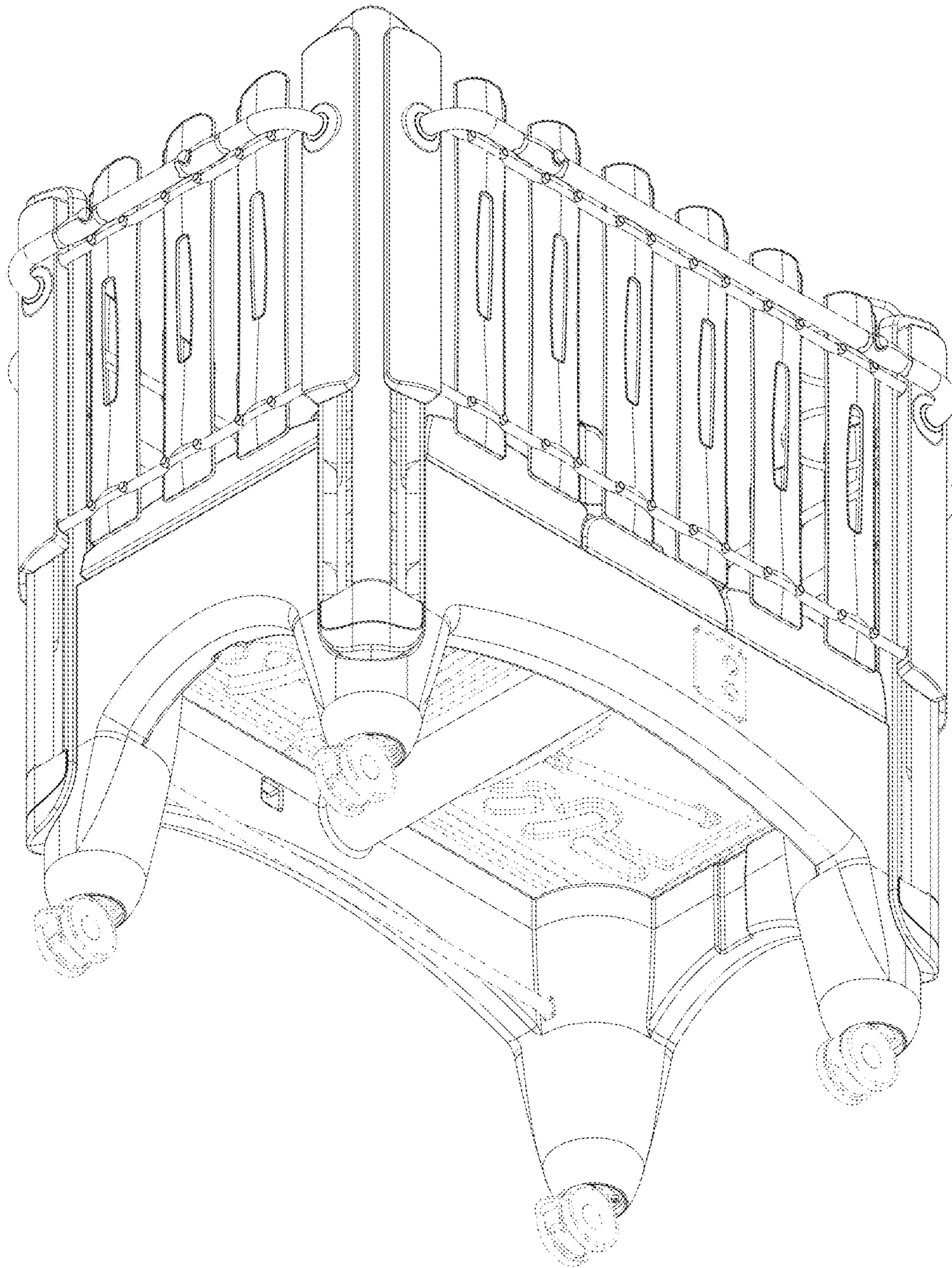


FIG. 18

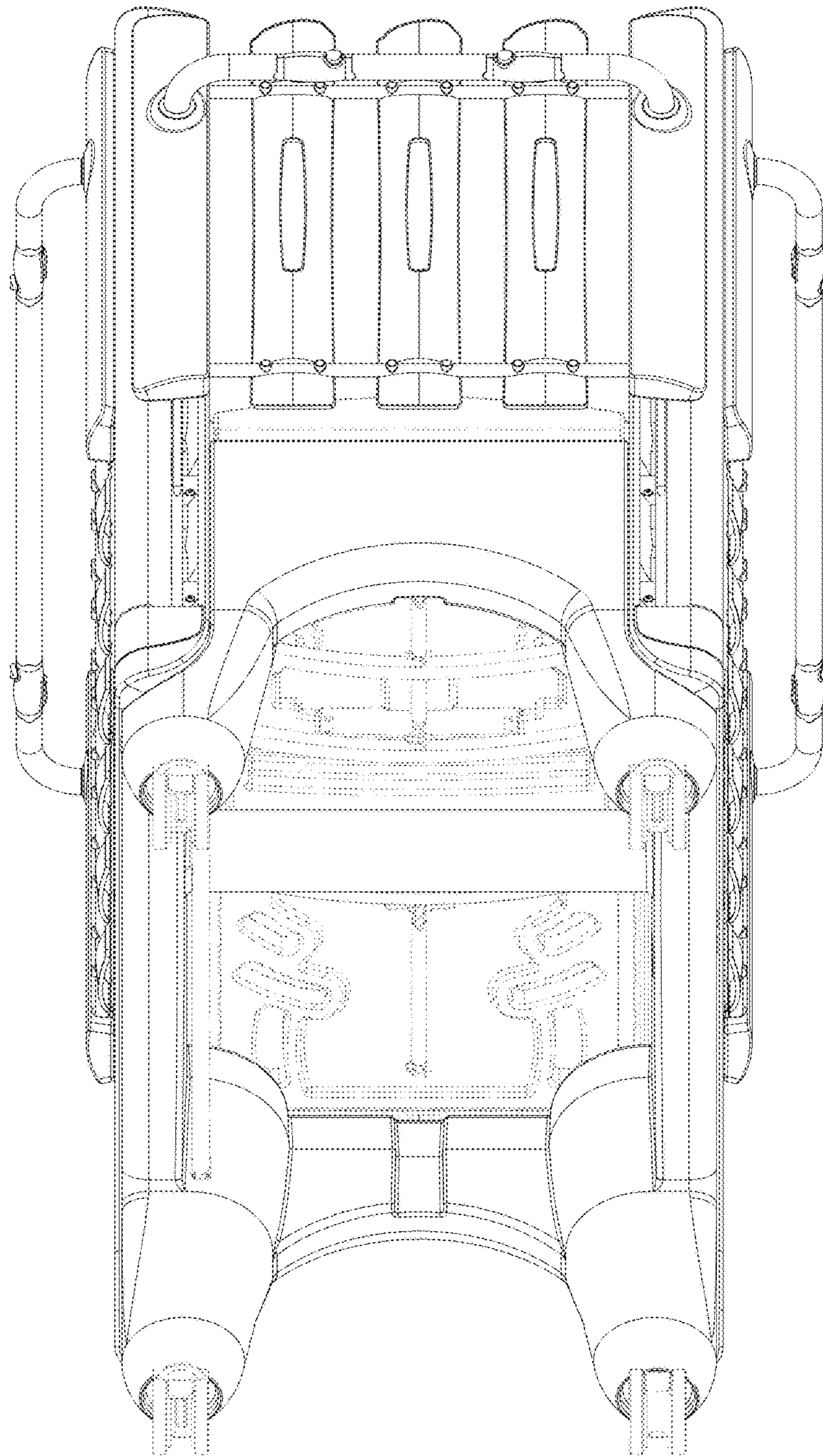


FIG. 19

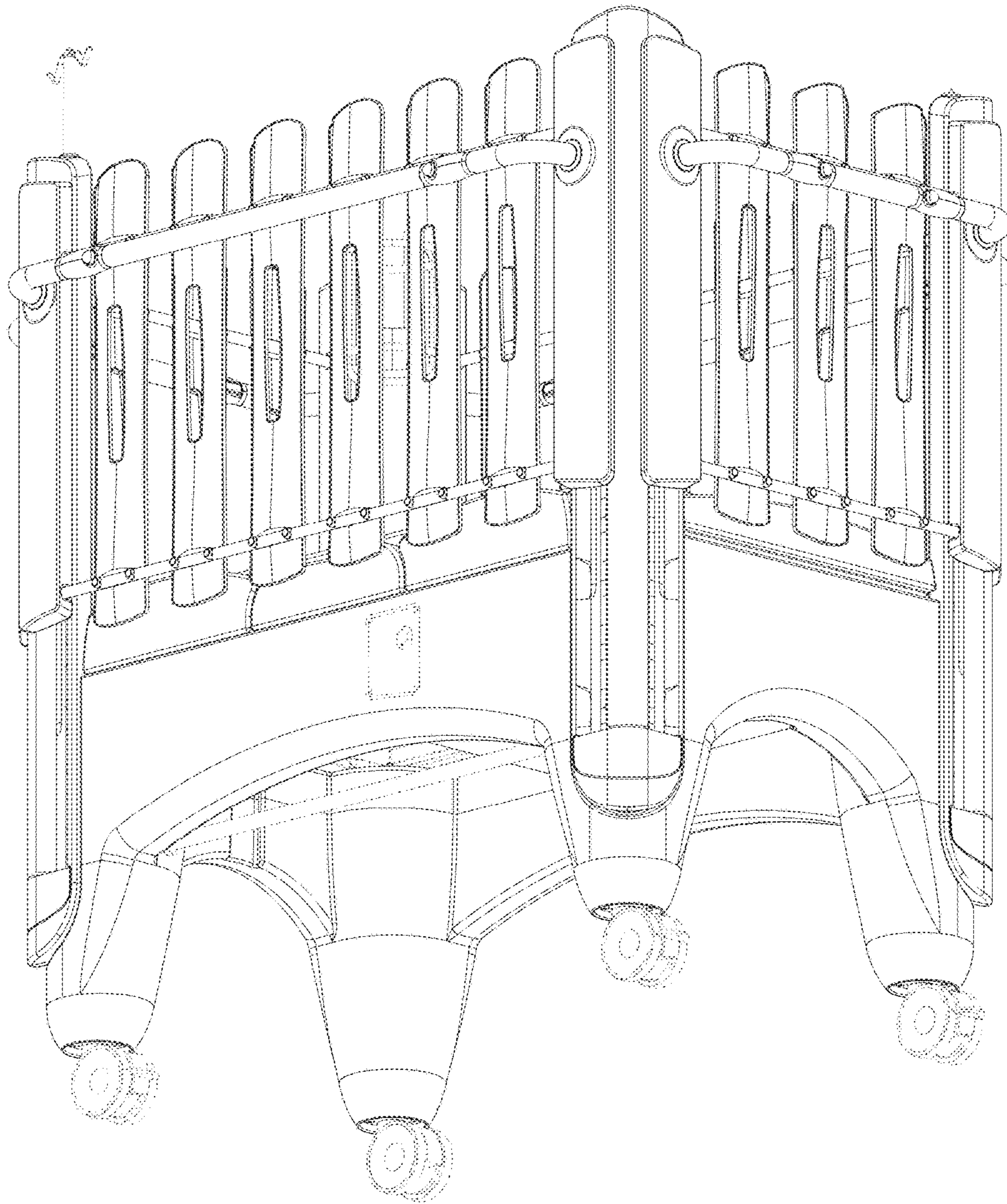


FIG. 20

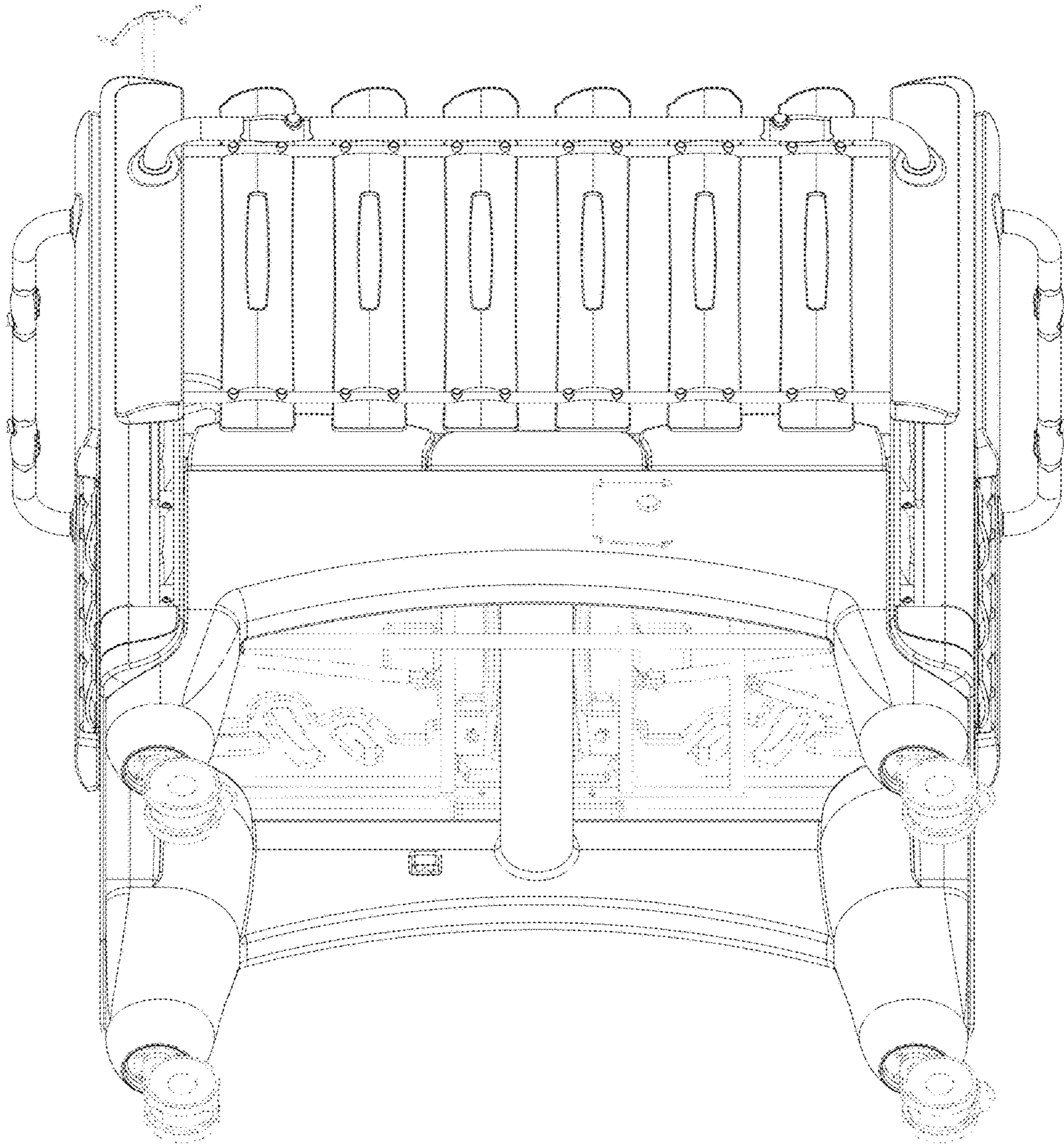


FIG. 21

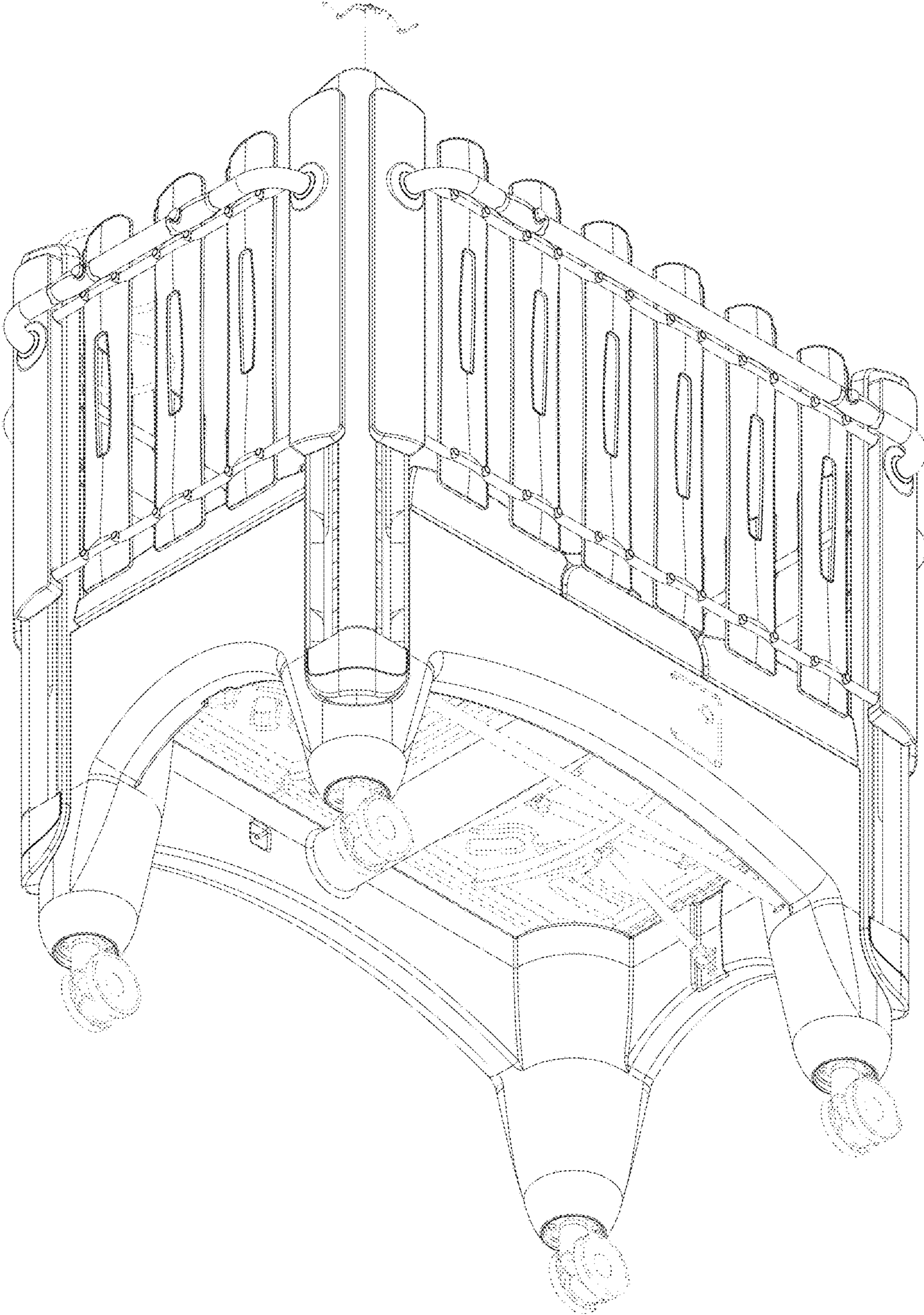


FIG. 22



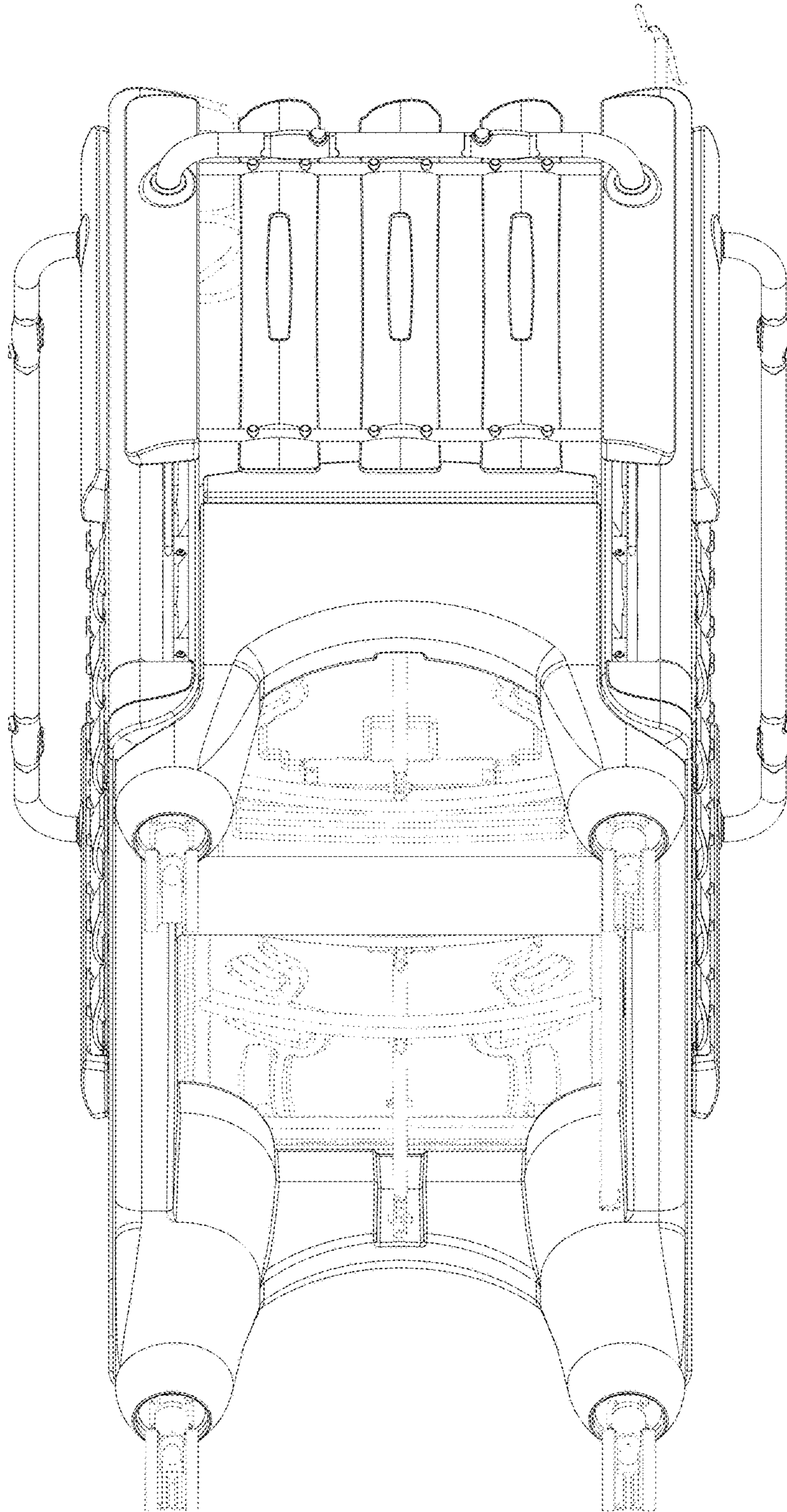


FIG. 23

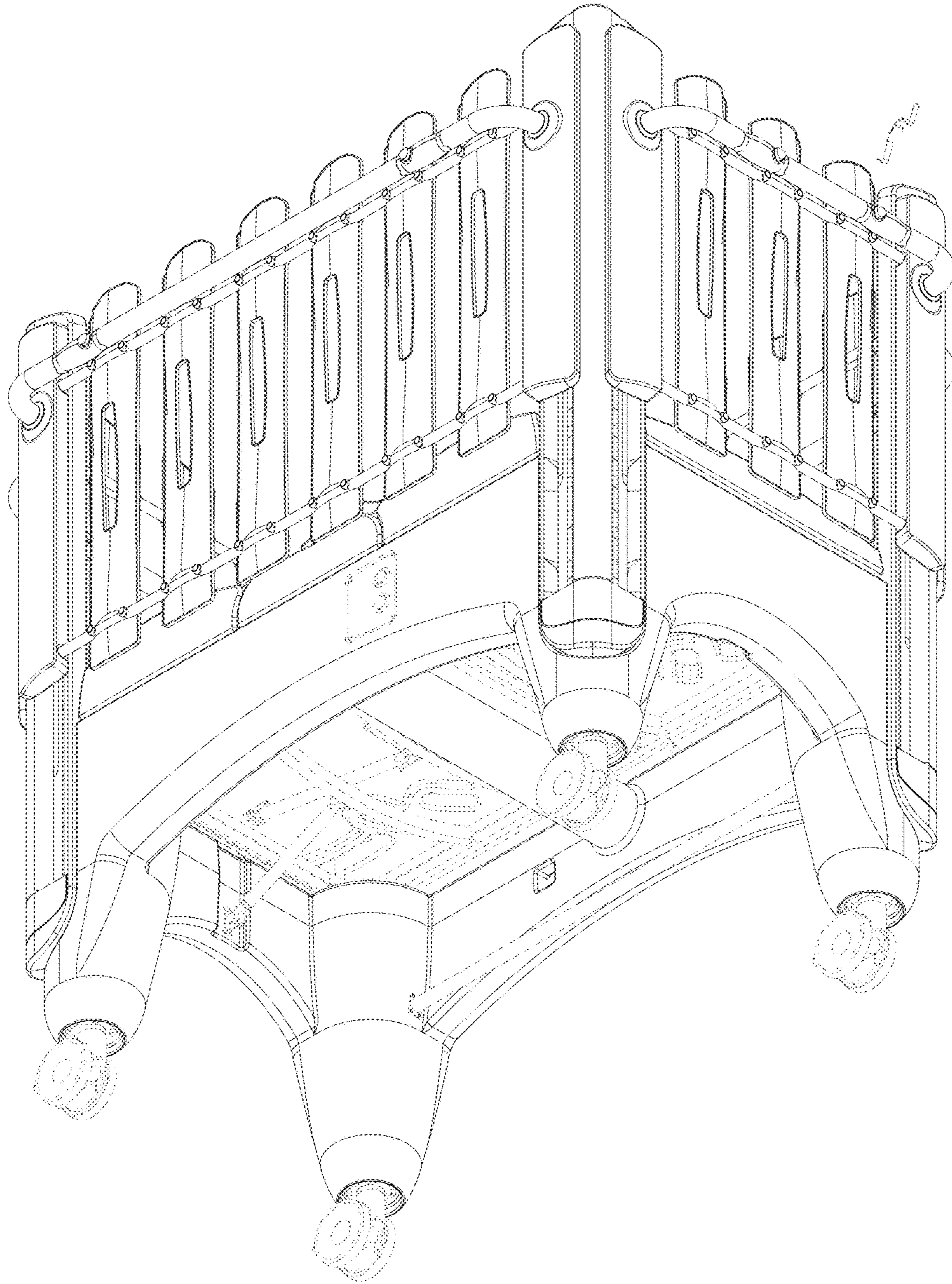


FIG. 24

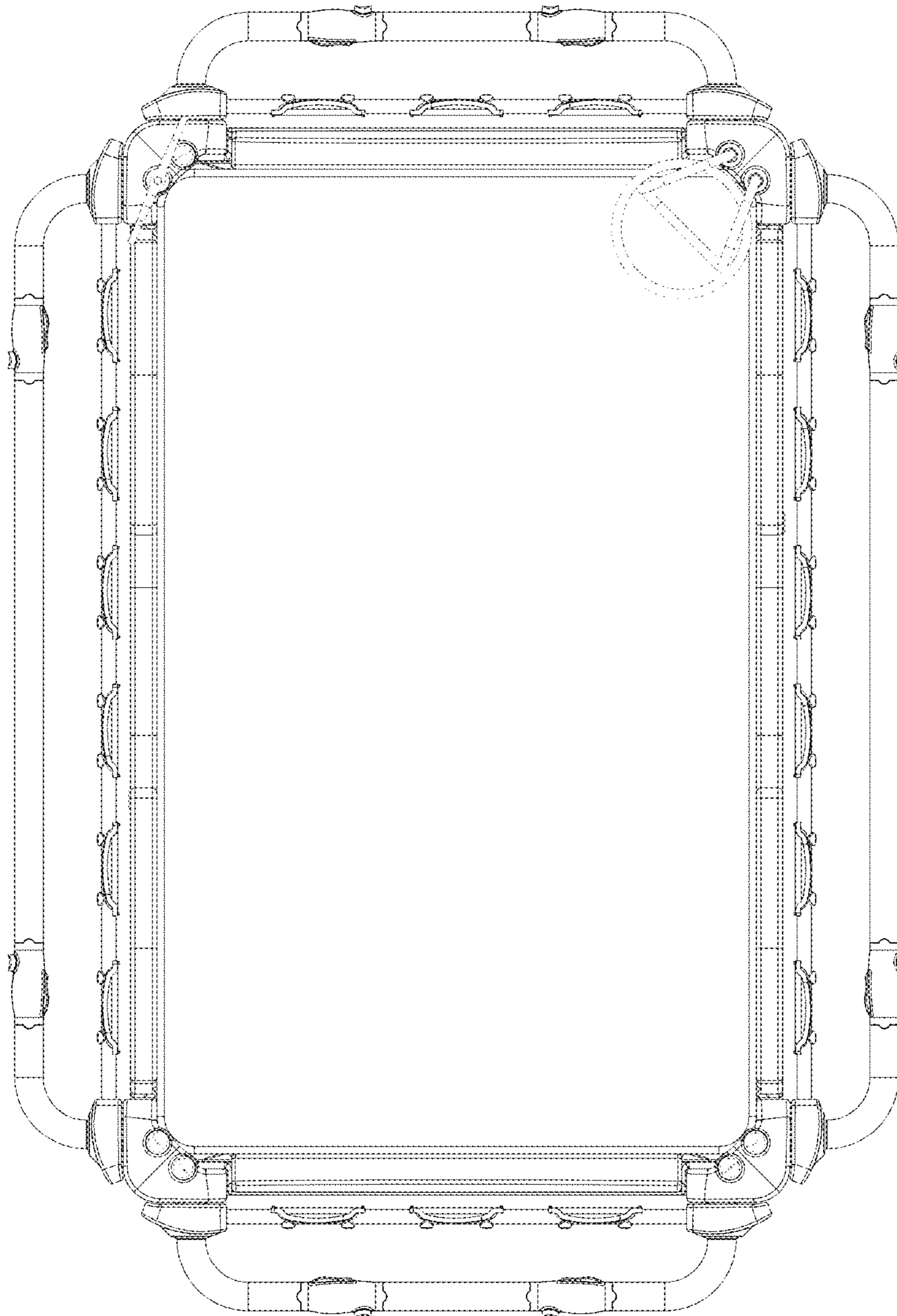


FIG. 25

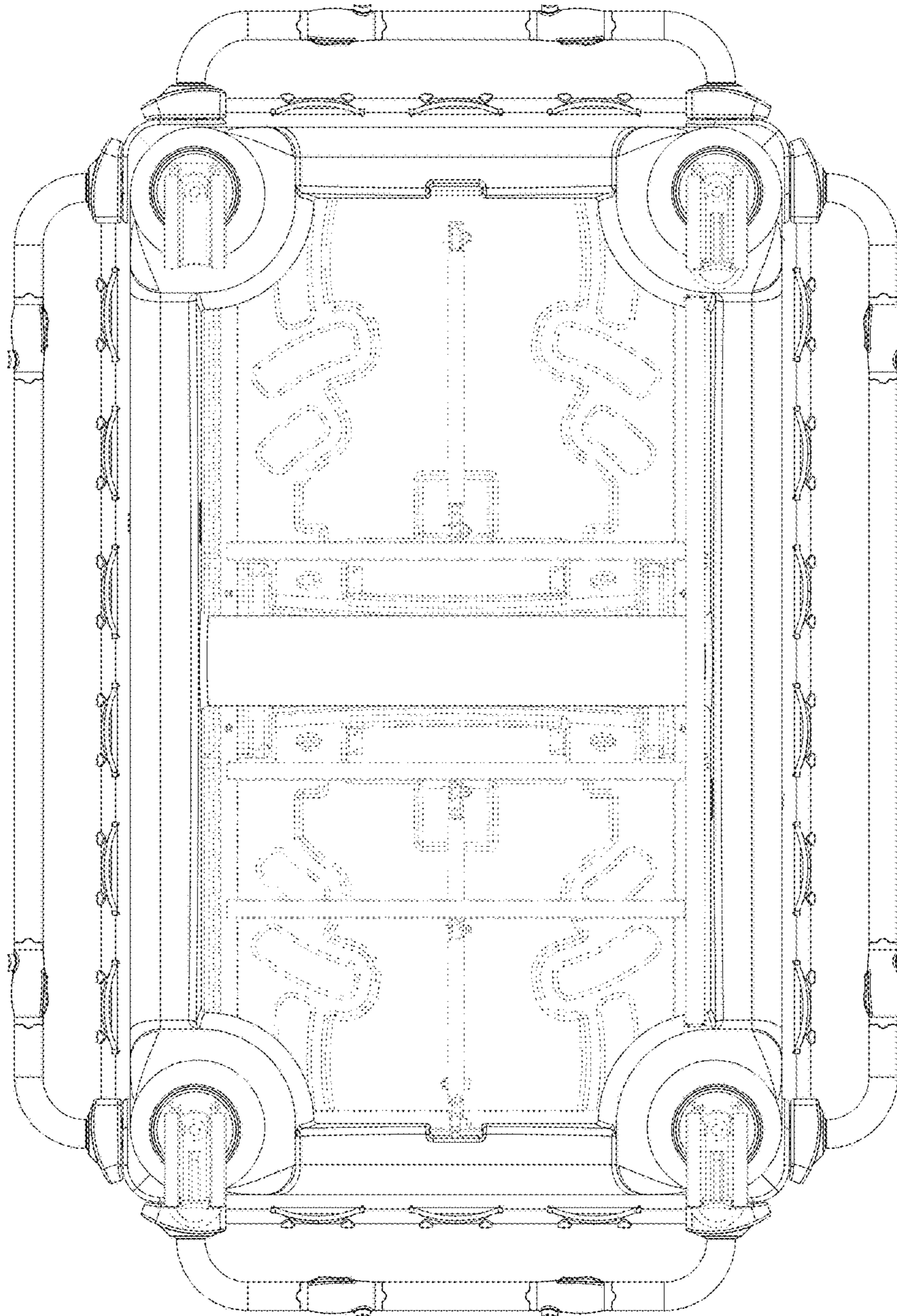


FIG. 26

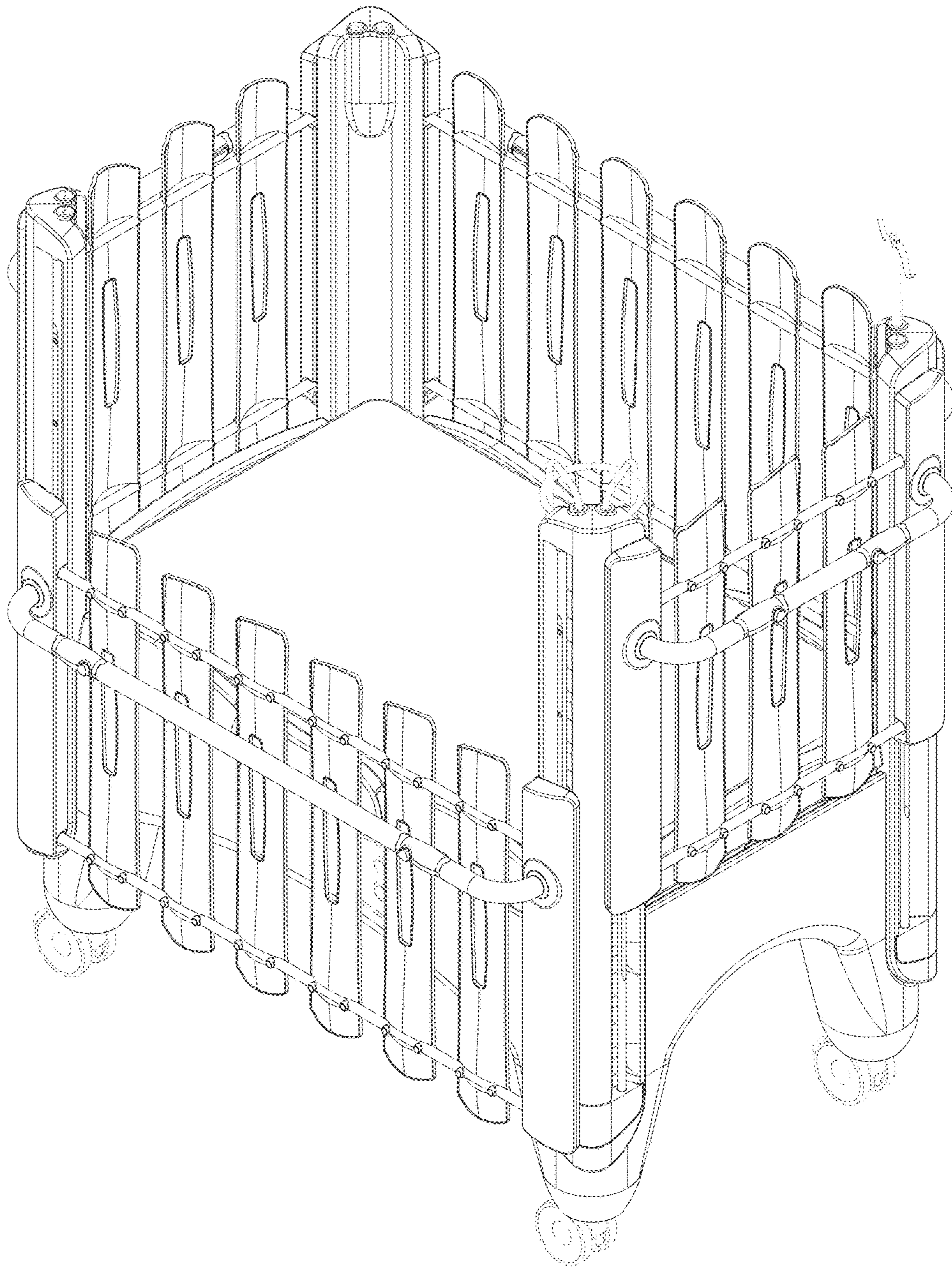


FIG. 27

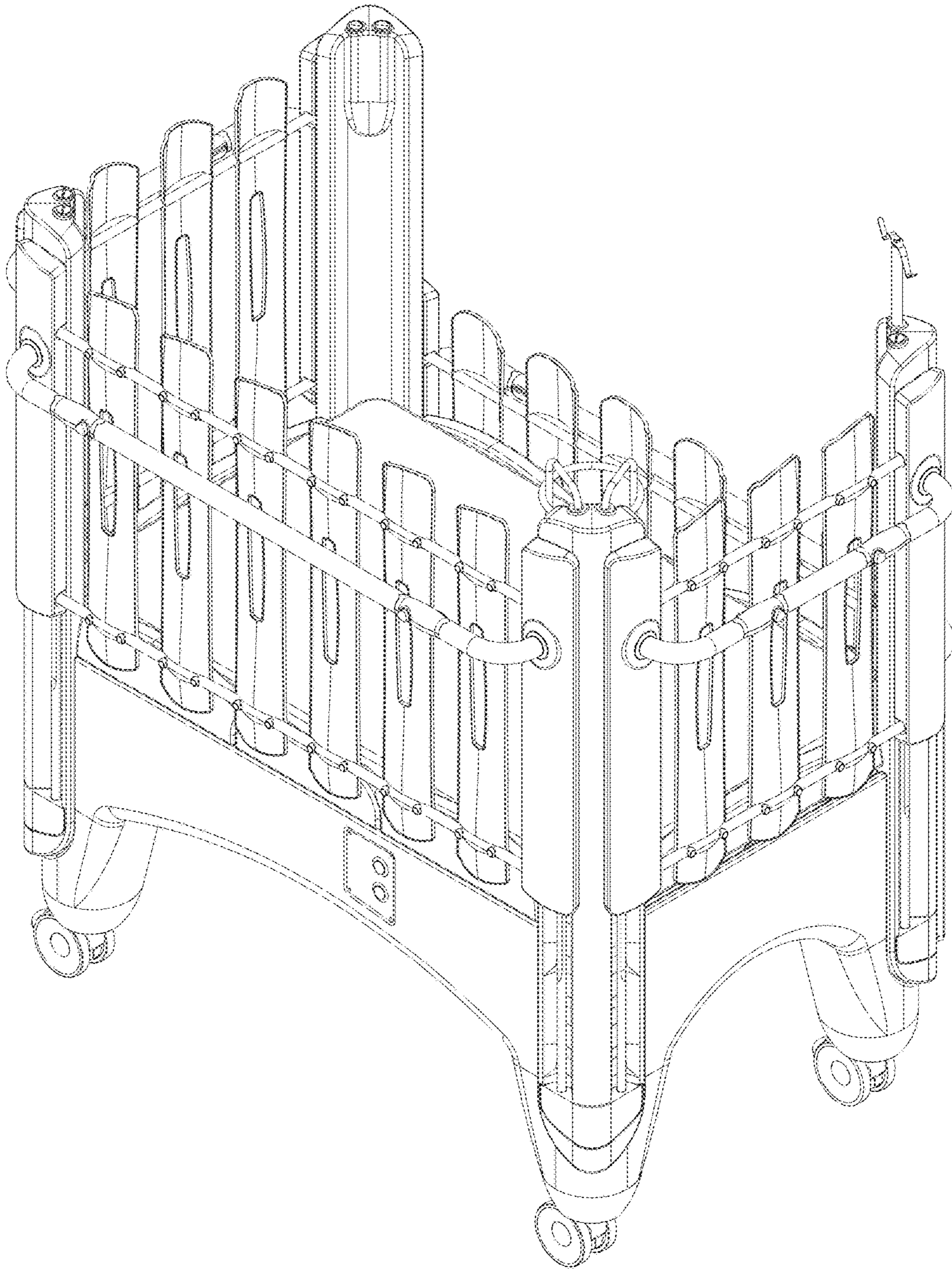


FIG. 28

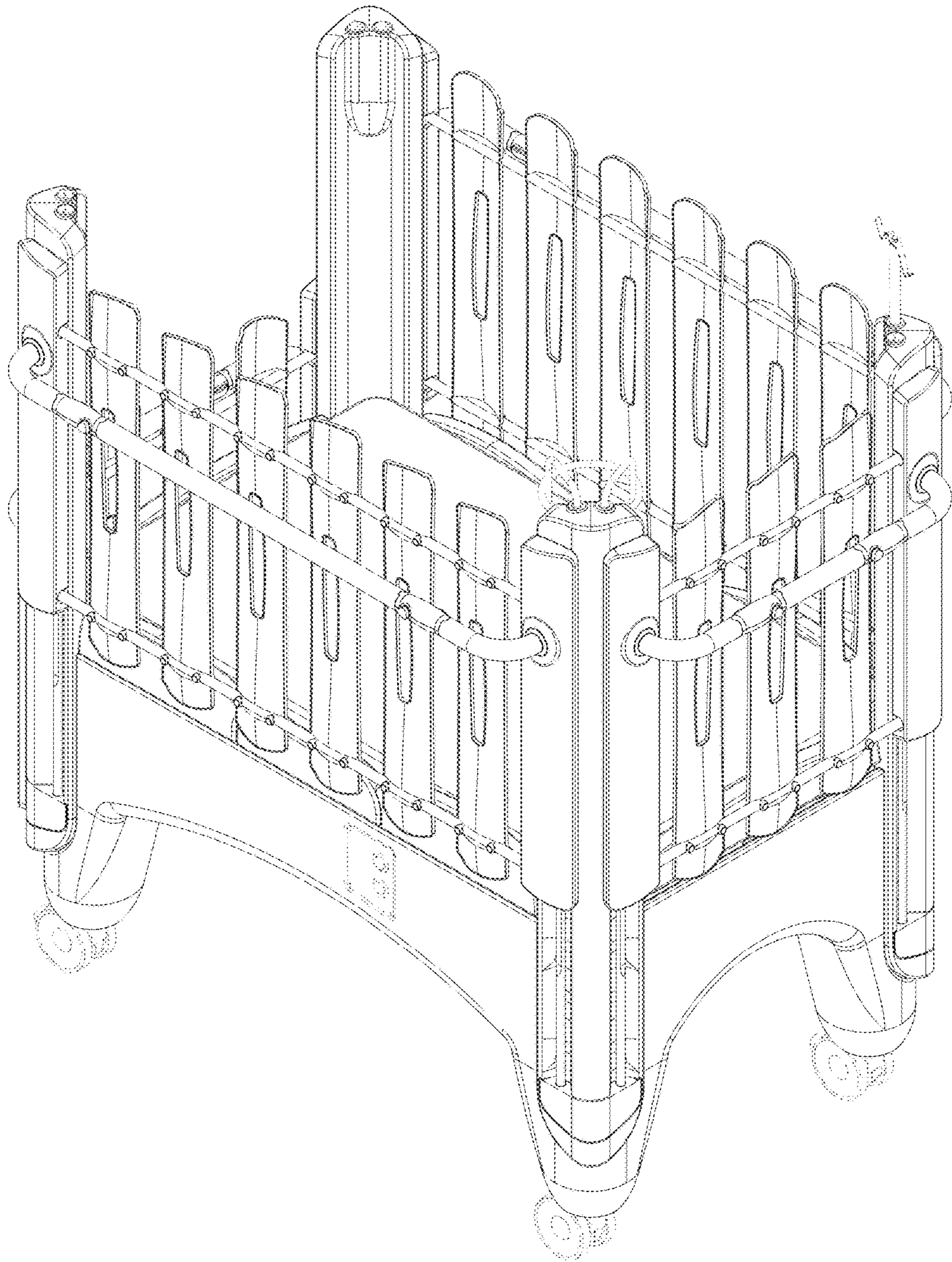


FIG. 29

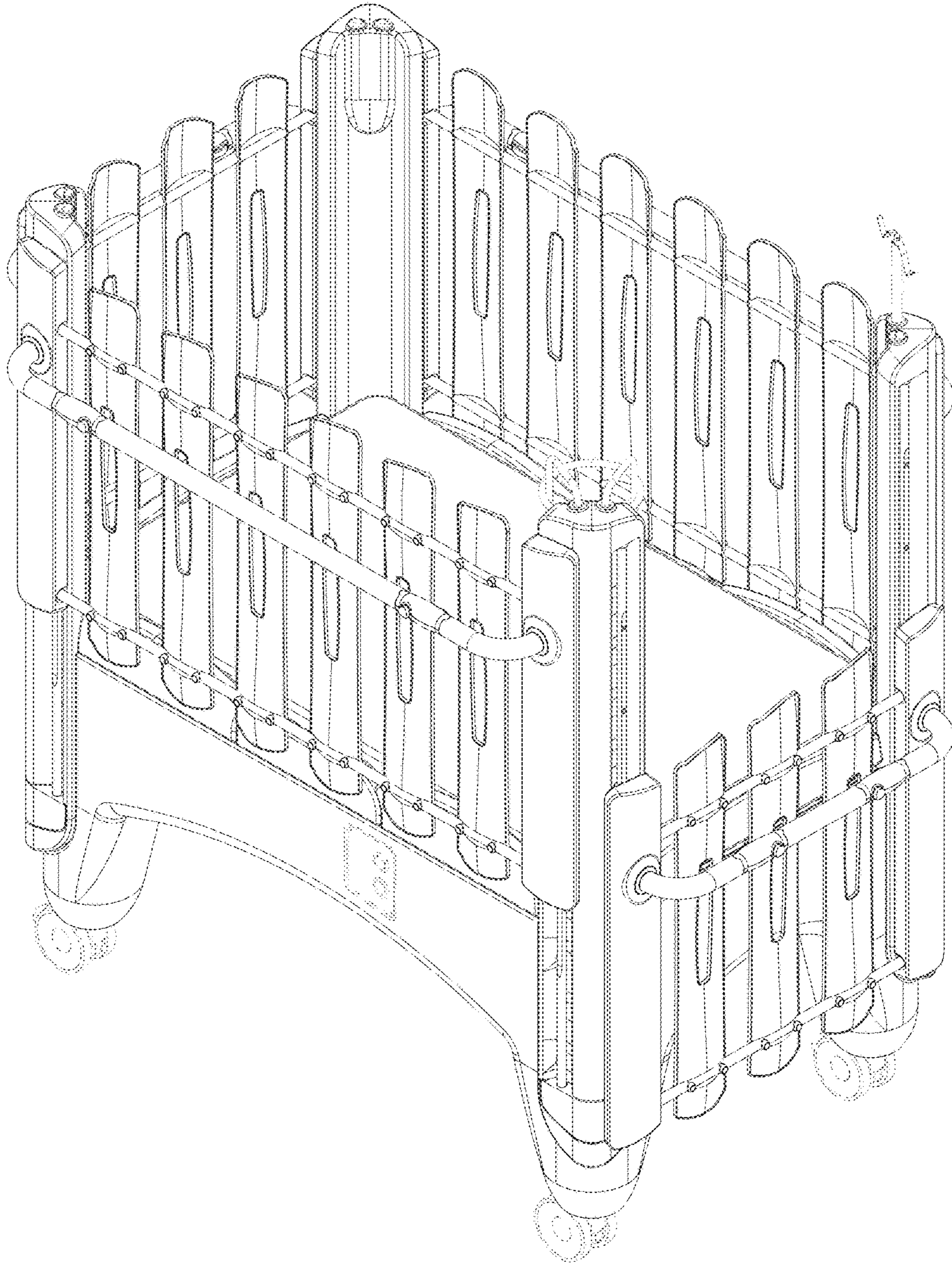


FIG. 30



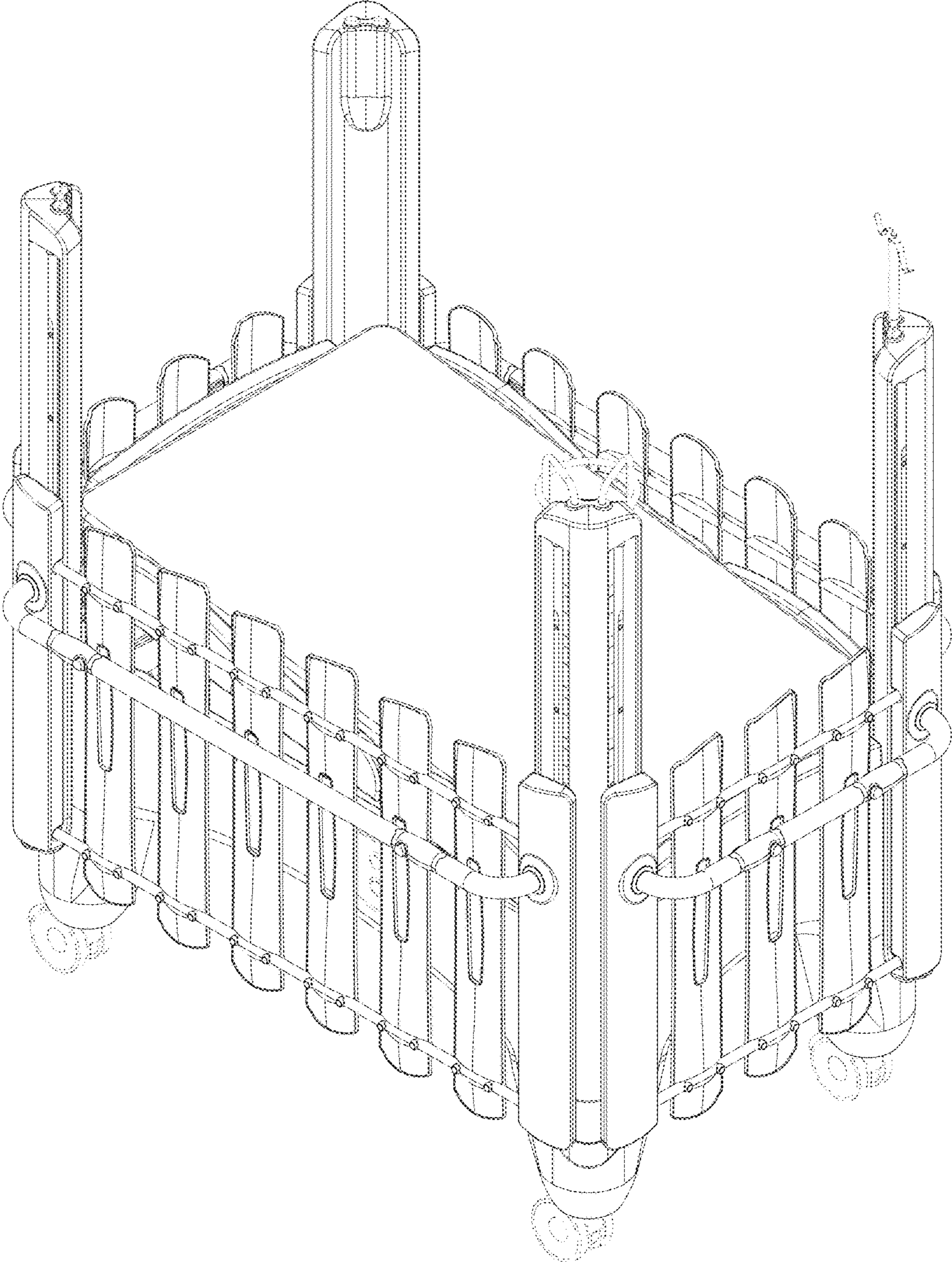


FIG. 31

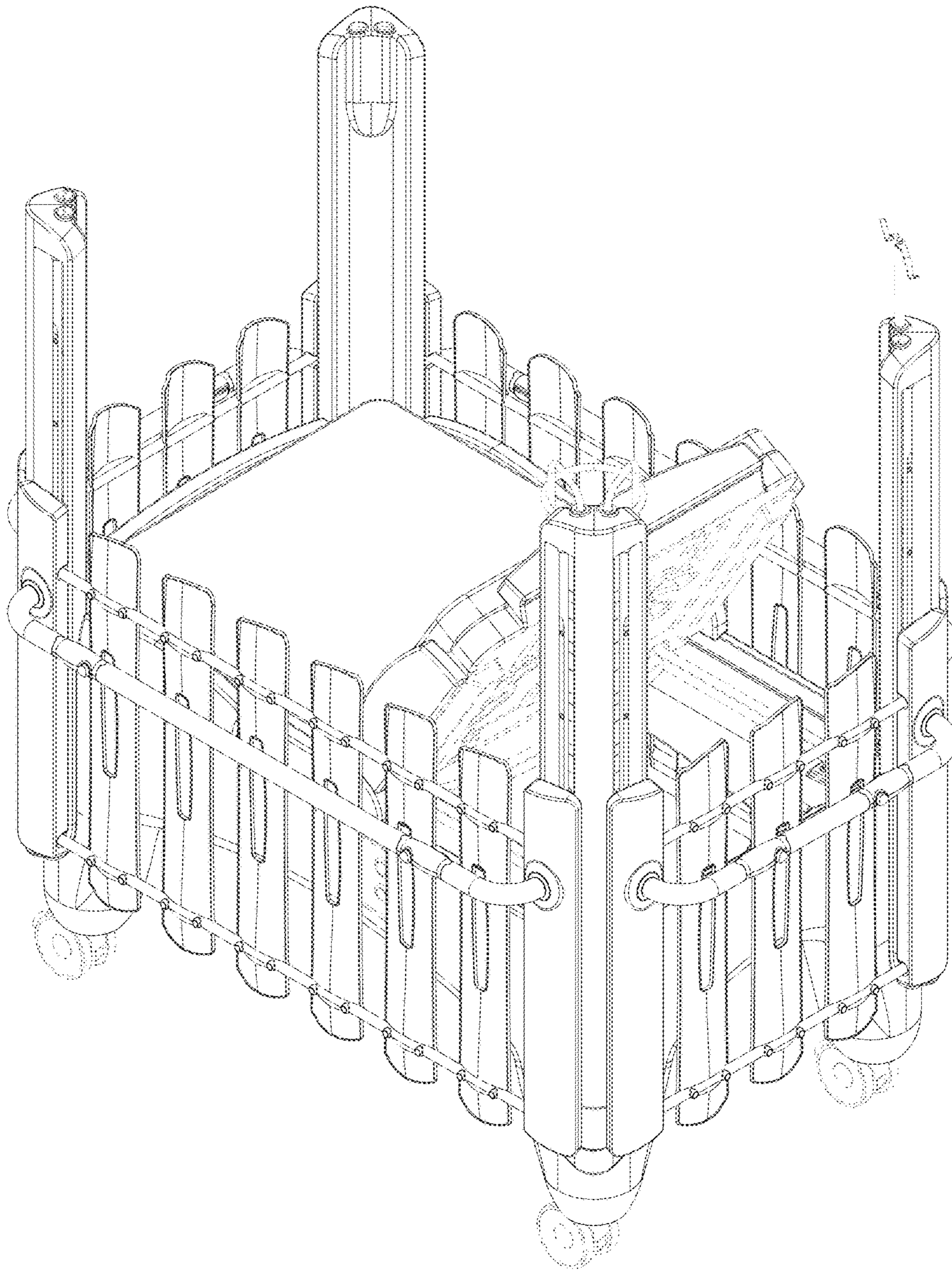


FIG. 32

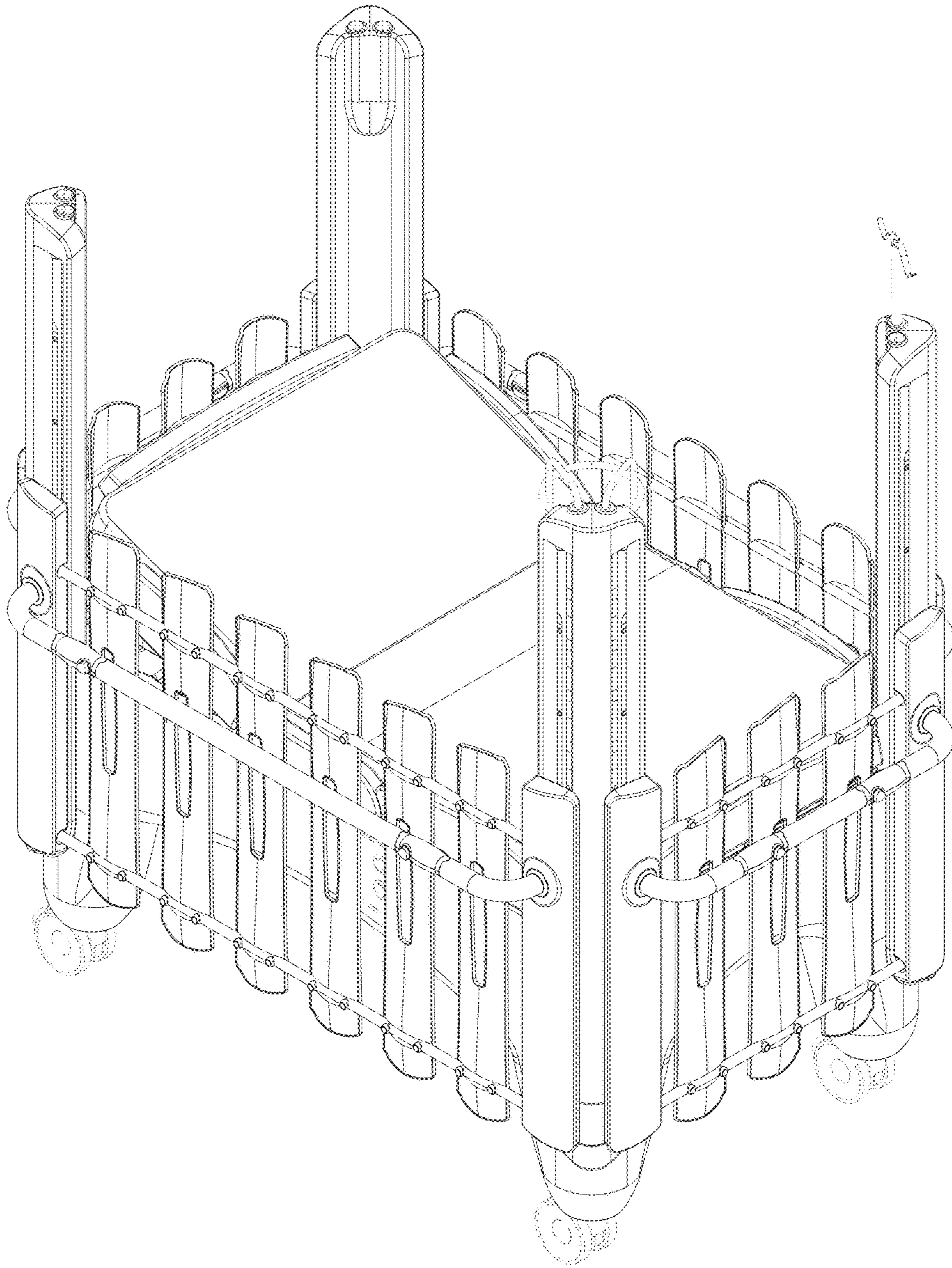


FIG. 33