

US00D836934S

(12) **United States Design Patent**
Gufler

(10) **Patent No.:** **US D836,934 S**

(45) **Date of Patent:** **** Jan. 1, 2019**

(54) **CHAIR**

(71) Applicant: **TON a.s.**, Bystrice pod Hostynem (CZ)

(72) Inventor: **Alexander Gufler**, Vienna (AT)

(73) Assignee: **TON a.s.**, Bystrice pod Hostynem (CZ)

(**) Term: **15 Years**

(21) Appl. No.: **29/614,985**

(22) Filed: **Aug. 24, 2017**

(30) **Foreign Application Priority Data**

Feb. 28, 2017 (EM) 003772342

(51) **LOC (11) Cl.** **06-01**

(52) **U.S. Cl.**
USPC **D6/380**

(58) **Field of Classification Search**

USPC D6/334-336, 366, 371, 372, 373, 374,
D6/375, 380, 716, 716.1, 716.2, 716.3,
D6/716.4

CPC A47C 3/04; A47C 3/12; A47C 4/02; A47C
4/028; A47C 4/03; A47C 7/021; A47C
7/18; A47C 7/24

See application file for complete search history.

(56) **References Cited**

U.S. PATENT DOCUMENTS

3,142,514 A * 7/1964 Ginat A47C 3/12
248/188.1
D207,840 S * 6/1967 Rodrigo D6/366

D465,360 S * 11/2002 Ratza D6/716
D609,037 S * 2/2010 Miller D6/366
D648,553 S * 11/2011 Wilson D6/366
D657,583 S * 4/2012 Wilson D6/366
D690,953 S * 10/2013 Alken D6/380
D706,053 S * 6/2014 Schwamkrug D6/374
D730,097 S * 5/2015 Kubryk D6/716
D794,370 S * 8/2017 Swy D6/366
D794,371 S * 8/2017 Swy D6/716
D815,452 S * 4/2018 Hannoosh D6/380

* cited by examiner

Primary Examiner — Mimosa De

(74) *Attorney, Agent, or Firm* — Fross Zelnick Lehrman
& Zissu, P.C.; Charles T. J. Weigell, Esq.

(57) **CLAIM**

The ornamental design for a chair, as shown and described.

DESCRIPTION

FIG. 1 is a front perspective view of a chair showing my new design;

FIG. 2 is a left side elevational view thereof (with the right side being a mirror image);

FIG. 3 is a rear elevational view thereof;

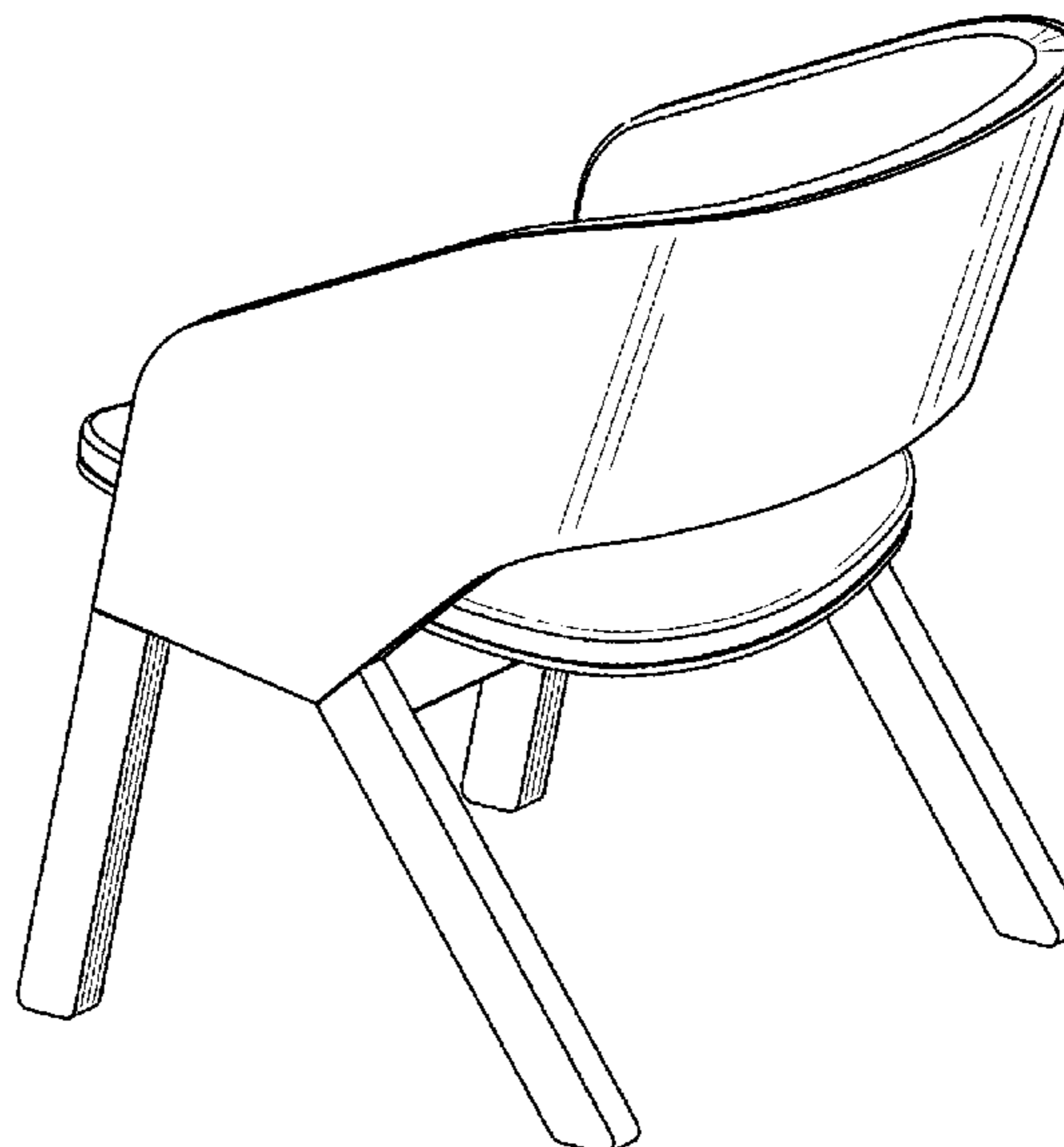
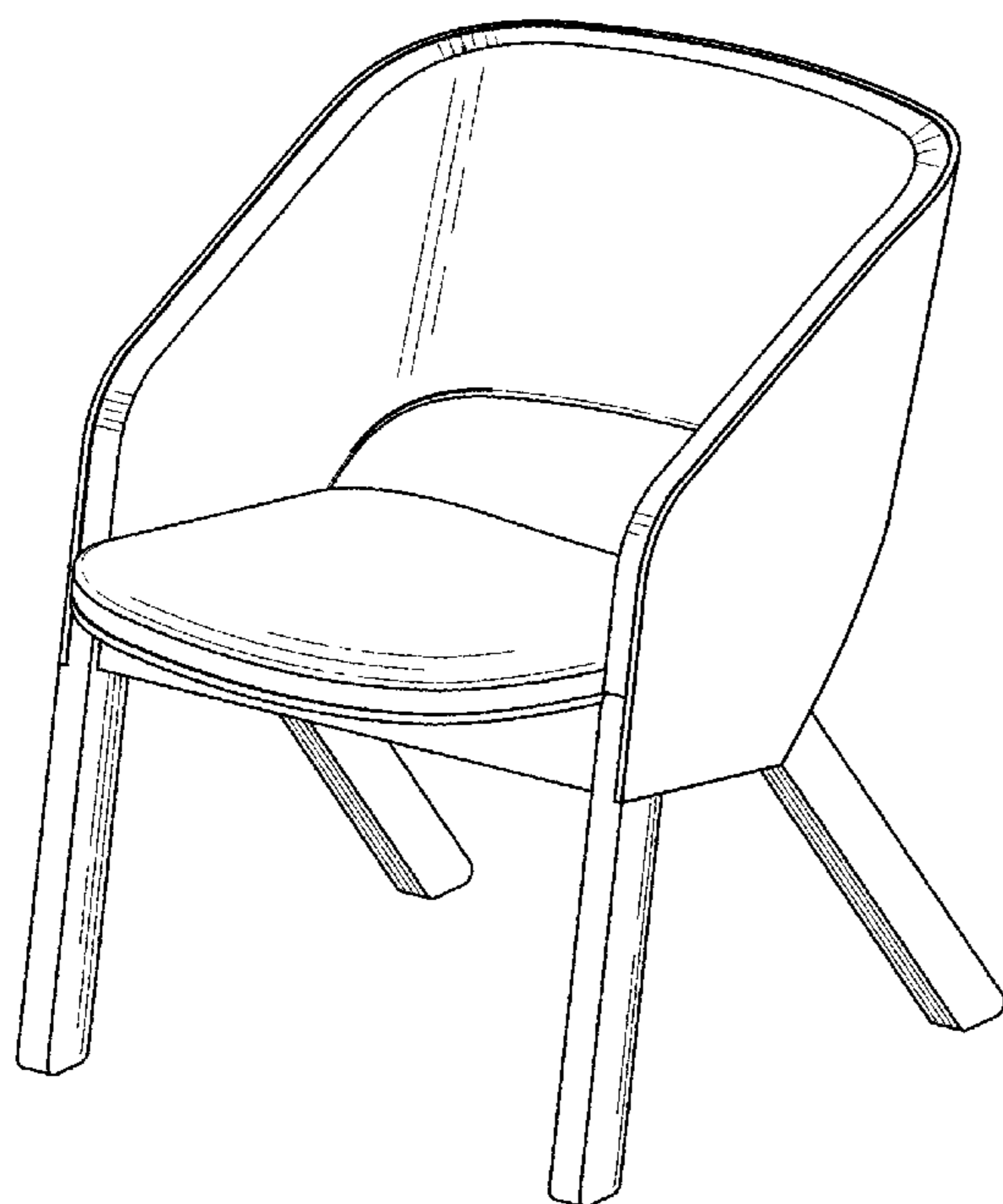
FIG. 4 is a front elevational view thereof;

FIG. 5 is a top plan view thereof;

FIG. 6 is a bottom view thereof; and,

FIG. 7 is a rear, left side prospective view thereof.

1 Claim, 7 Drawing Sheets



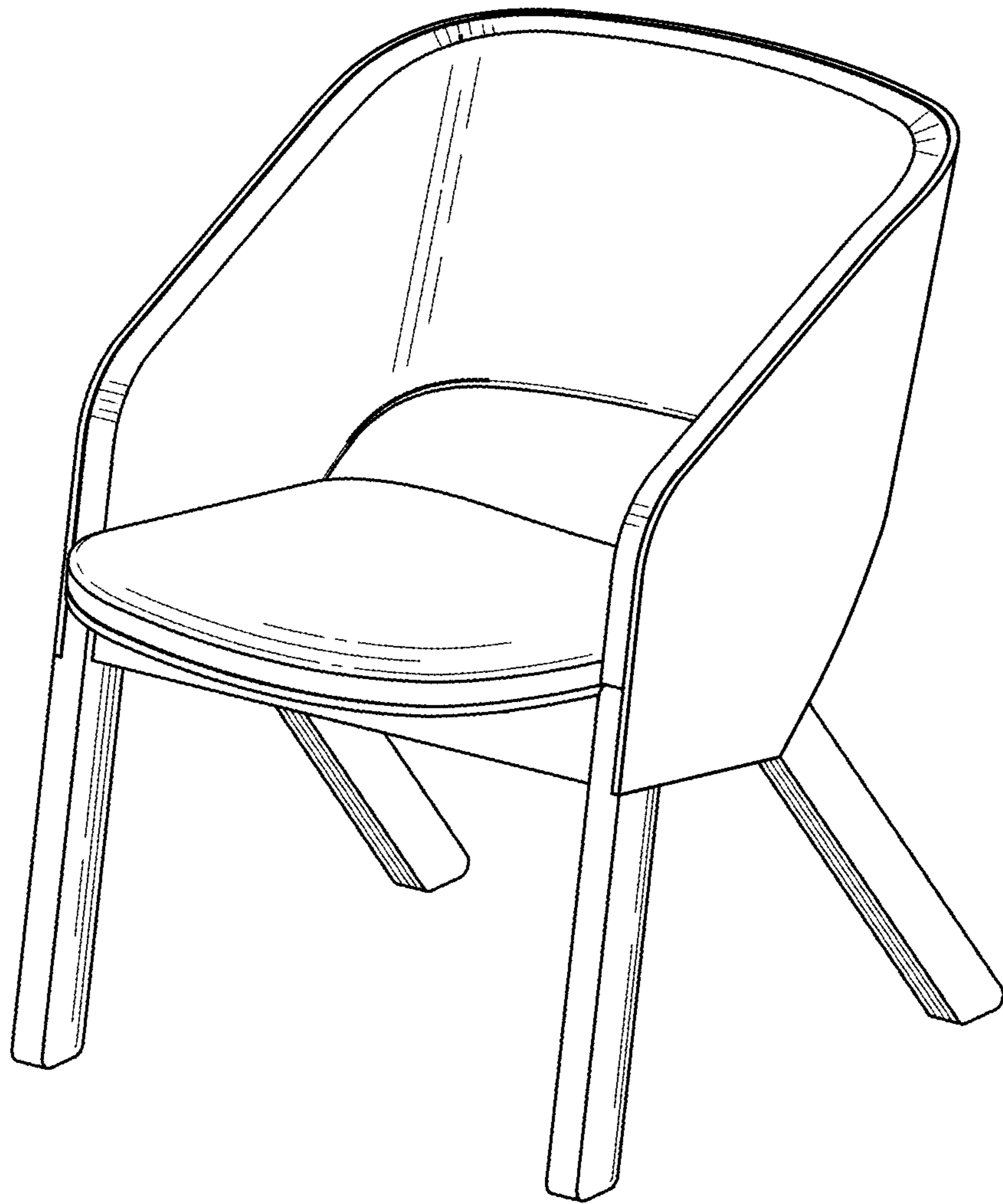


FIG.1

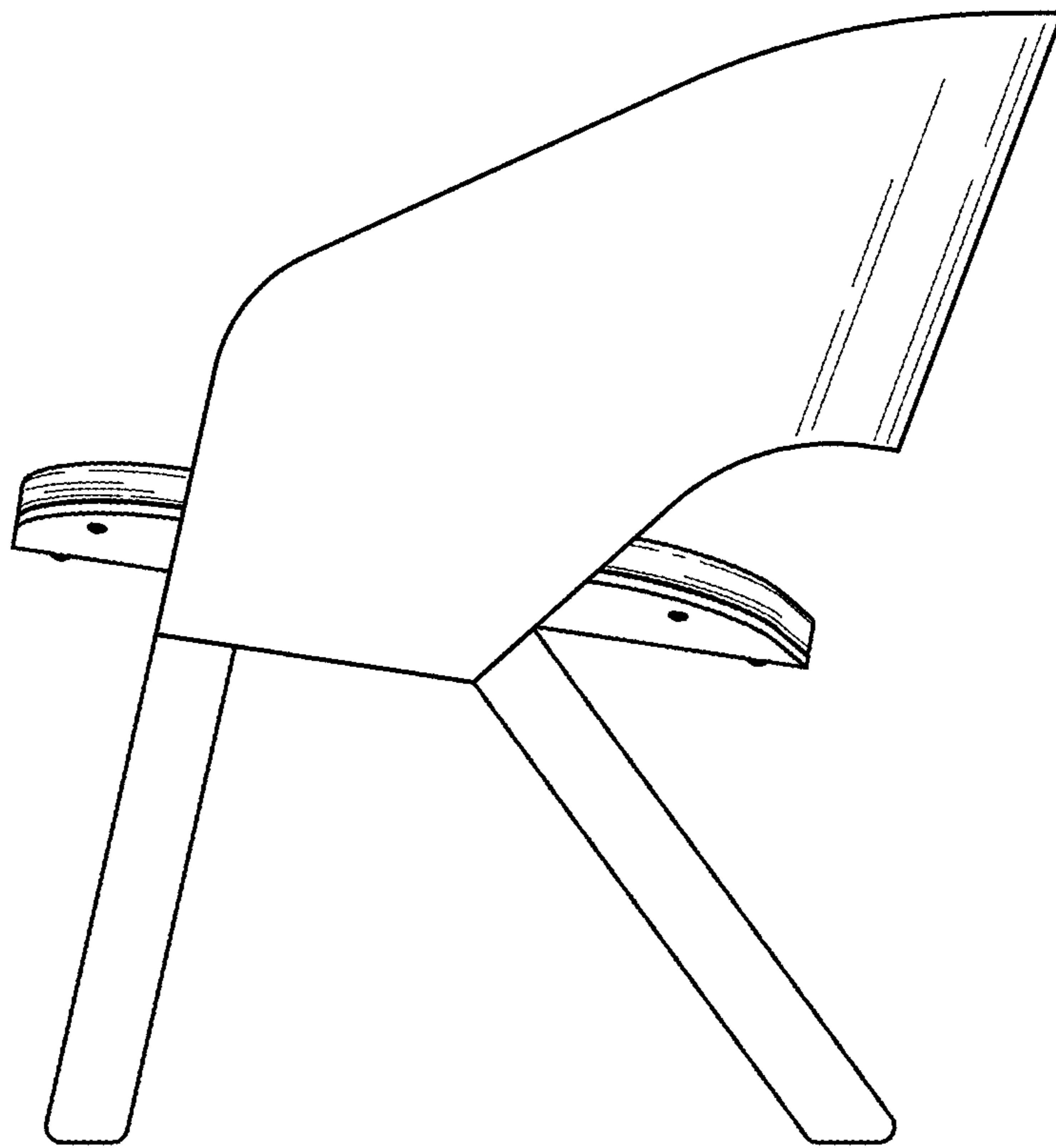


FIG. 2

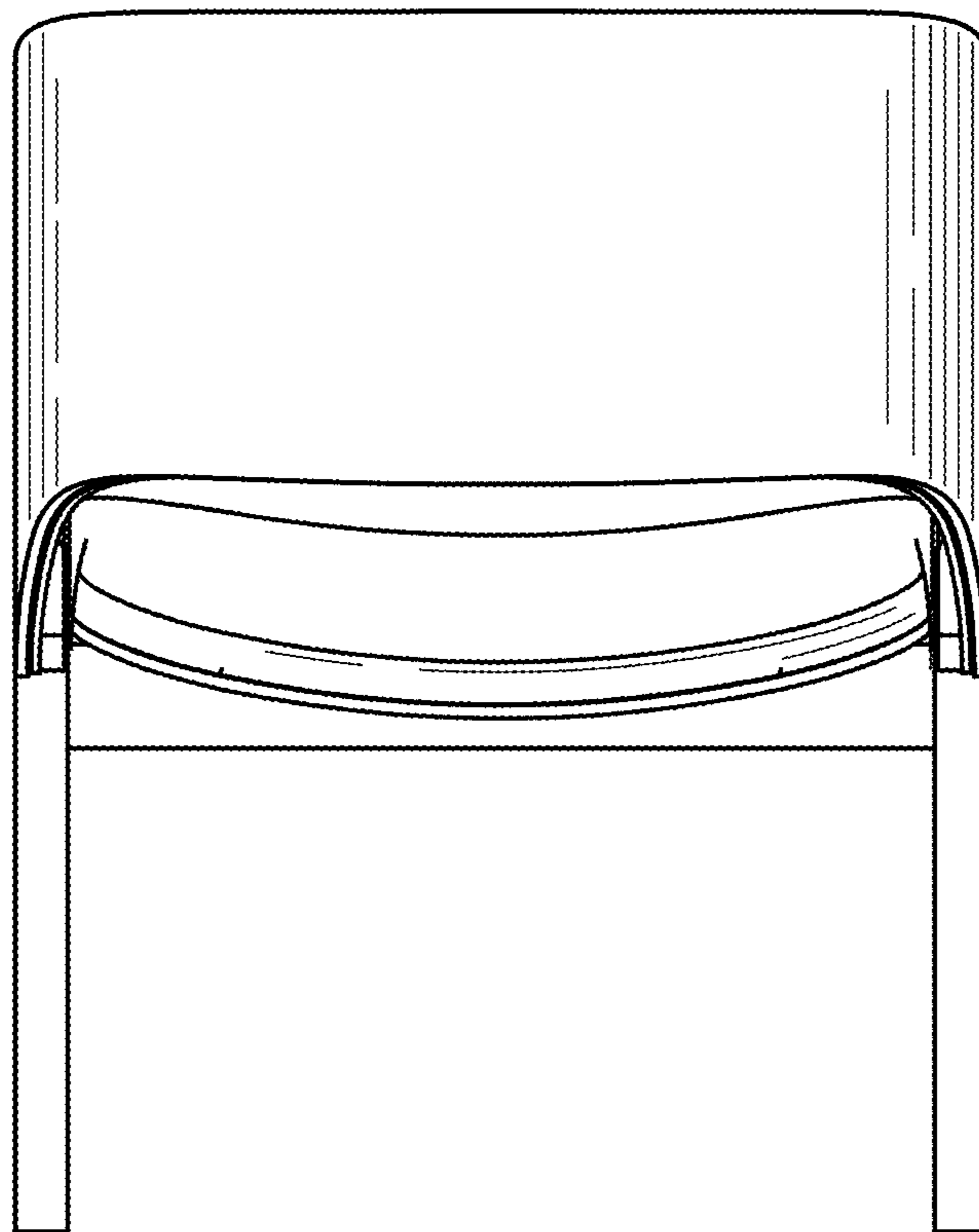


FIG. 3

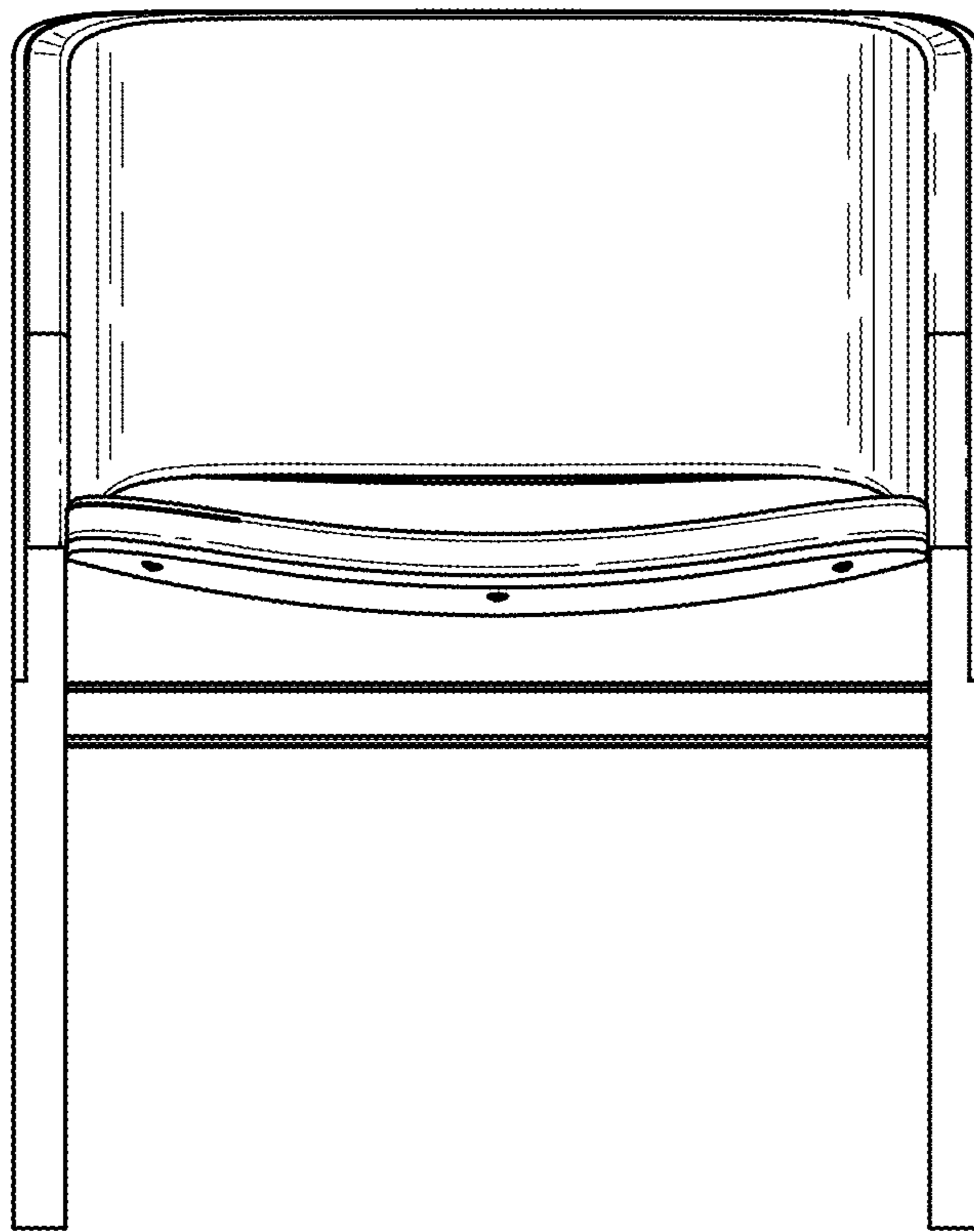


FIG. 4

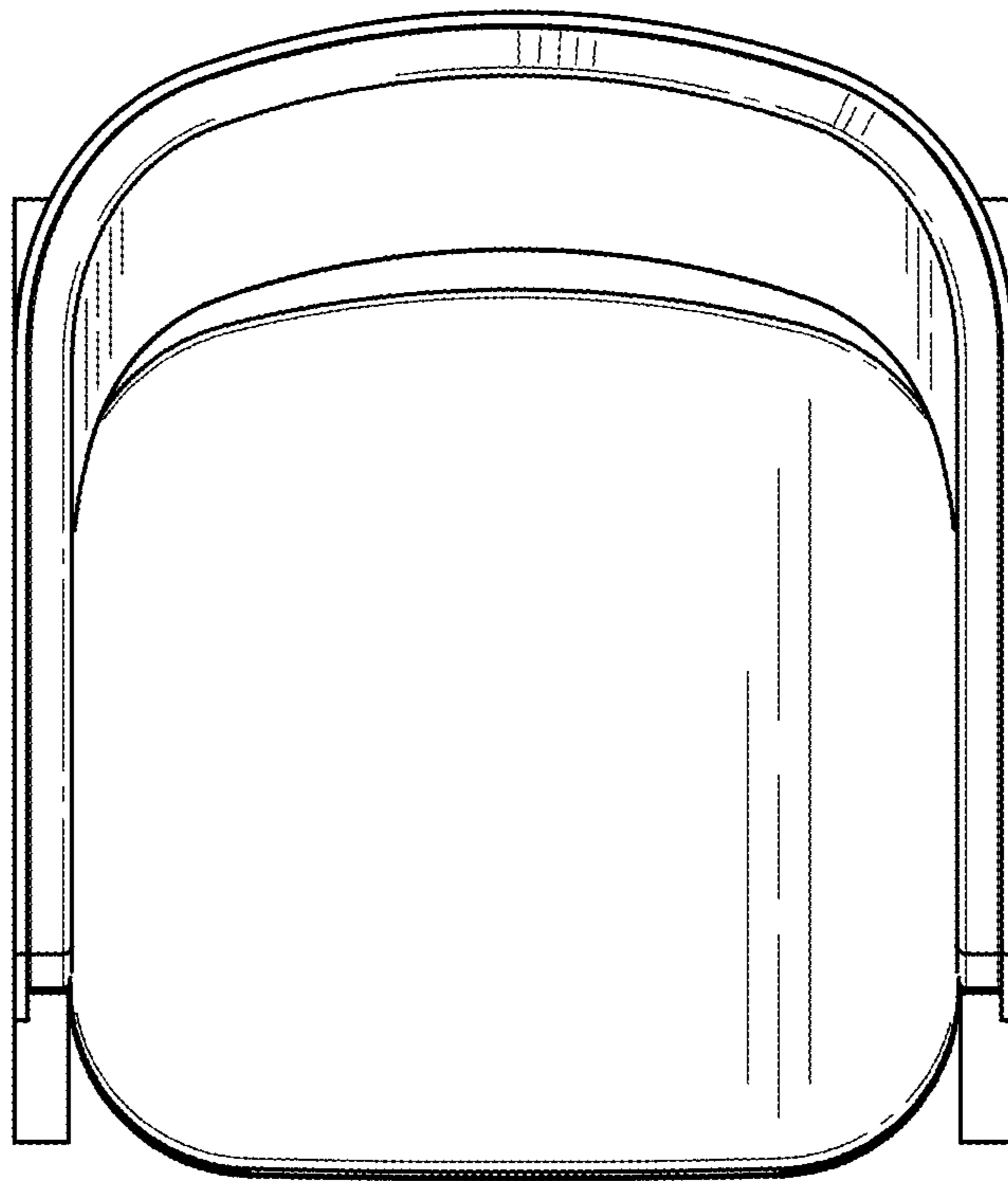


FIG. 5

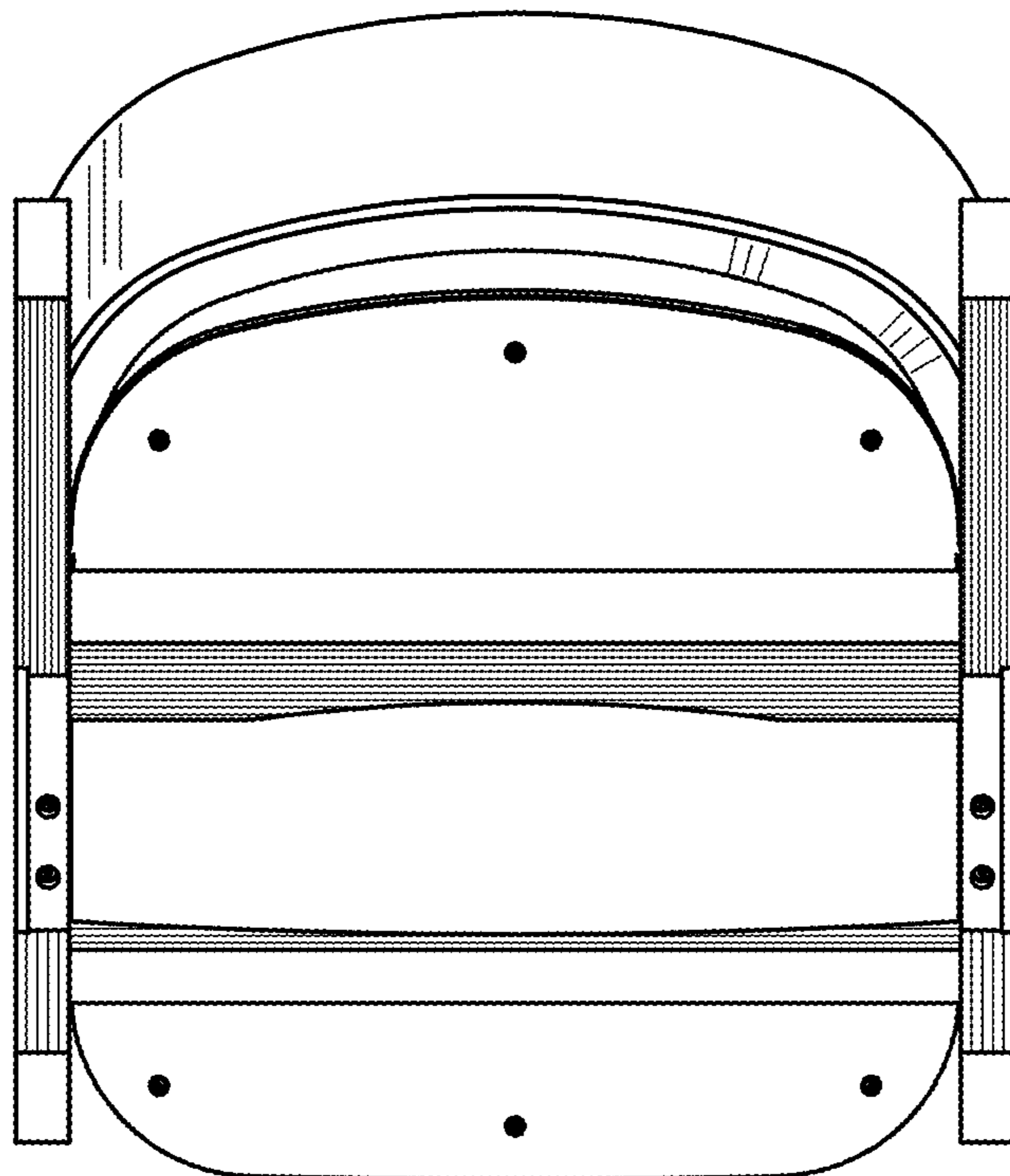


FIG. 6

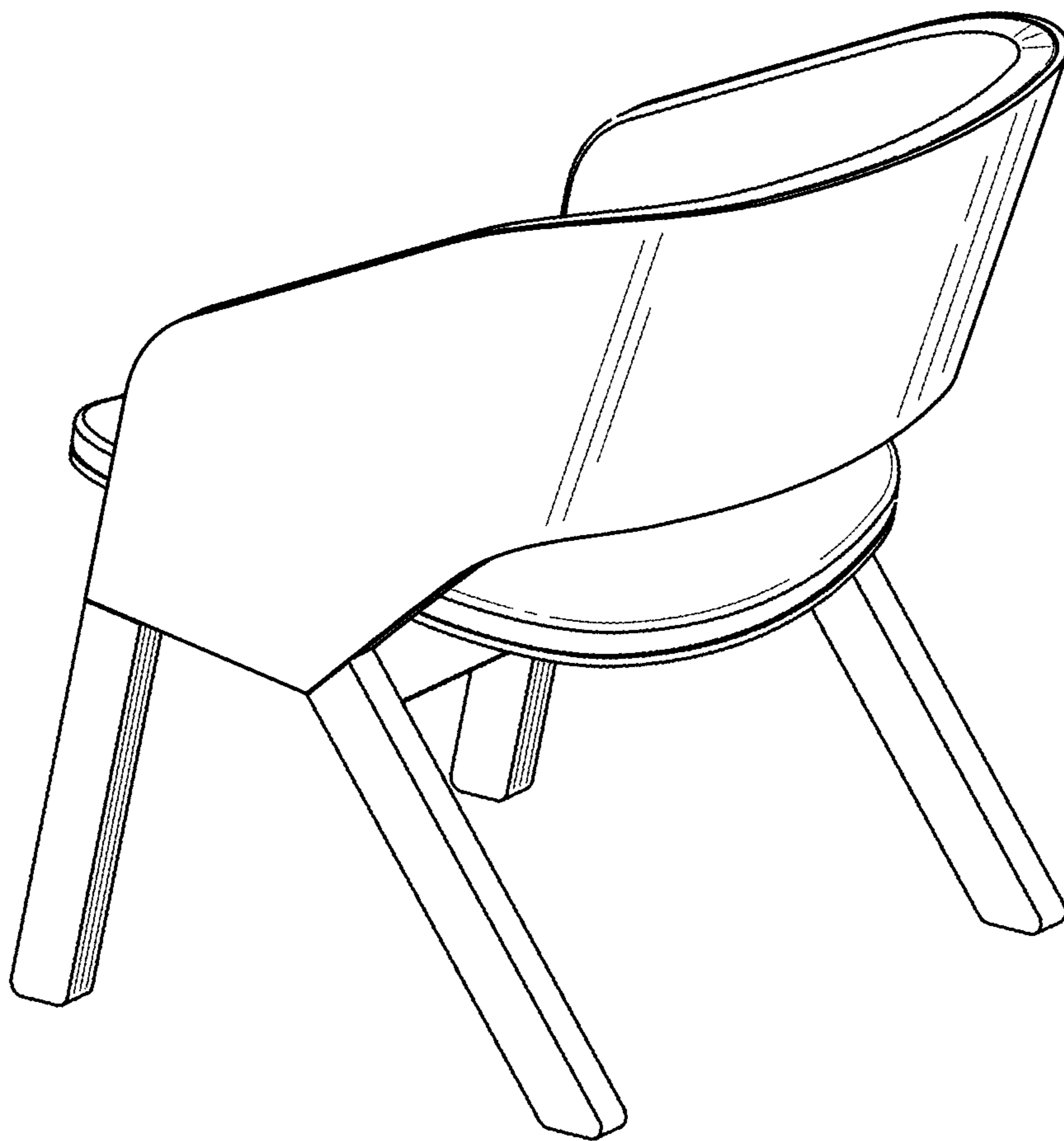


FIG. 7