



US00D836933S

(12) **United States Design Patent** (10) **Patent No.:** **US D836,933 S**  
**Zdanius** (45) **Date of Patent:** **\*\* Jan. 1, 2019**

(54) **SEATING**  
(71) Applicant: **TECNO S.p.A.**, Milan (IT)  
(72) Inventor: **Casimir Algis Zdanius**, New York, NY (US)  
(73) Assignee: **TECNO S.p.A.** (IT)  
(\*\*) Term: **15 Years**  
(21) Appl. No.: **29/604,060**  
(22) Filed: **May 15, 2017**

(30) **Foreign Application Priority Data**

Nov. 15, 2016 (IT) ..... 402016000114988

(51) **LOC (11) Cl.** ..... **06-01**

(52) **U.S. Cl.**  
USPC ..... **D6/375**

(58) **Field of Classification Search**  
USPC ..... D6/334-336, 370, 374, 375, 376, 379, D6/380, 381, 716, 716.1, 716.2, 716.3, D6/716.4, 717

CPC .... A47C 4/03; A47C 3/12; A47C 5/12; A47C 7/16; A47C 11/00; A47C 11/02; A47C 11/005

See application file for complete search history.

(56) **References Cited**

**U.S. PATENT DOCUMENTS**

3,261,640 A \* 7/1966 Straits ..... A47C 3/12 297/119  
D235,297 S \* 6/1975 Schuyler ..... D6/717  
3,990,741 A \* 11/1976 Snyder ..... A47C 11/005 297/248  
D376,937 S \* 12/1996 Skalka ..... D6/717  
D419,341 S \* 1/2000 Chipman ..... D6/381  
D467,101 S \* 12/2002 Hughes ..... D6/717  
D522,281 S \* 6/2006 Schiefer ..... D6/717

D528,831 S \* 9/2006 Rizzi ..... D6/717  
D663,132 S \* 7/2012 Morrison ..... D6/375  
D665,593 S \* 8/2012 Morrison ..... D6/375  
D666,428 S \* 9/2012 Morrison ..... D6/375  
D690,147 S \* 9/2013 Meyer ..... D6/375  
D715,569 S \* 10/2014 Laub ..... D6/375  
D715,570 S \* 10/2014 Laub ..... D6/375  
D715,572 S \* 10/2014 Laub ..... D6/375  
D729,538 S \* 5/2015 Kotilainen ..... D6/375  
D753,405 S \* 4/2016 Coghlan ..... D6/375  
D773,875 S \* 12/2016 Gerard ..... D6/717  
D789,724 S \* 6/2017 Gerard ..... D6/717  
D791,525 S \* 7/2017 Zdanius ..... D6/717

**FOREIGN PATENT DOCUMENTS**

WO WO-2007119243 A2 \* 10/2007 ..... A47C 1/124

\* cited by examiner

*Primary Examiner* — Mimosa De

(74) *Attorney, Agent, or Firm* — Saidman DesignLaw Group, LLC

(57) **CLAIM**

The ornamental design for seating, as shown and described.

**DESCRIPTION**

FIG. 1 is a front perspective view of seating showing my new design;

FIG. 2 is a front view thereof;

FIG. 3 is a rear view thereof;

FIG. 4 is a right side view thereof;

FIG. 5 is a left side view thereof, taken along line 5-5 of FIG. 2;

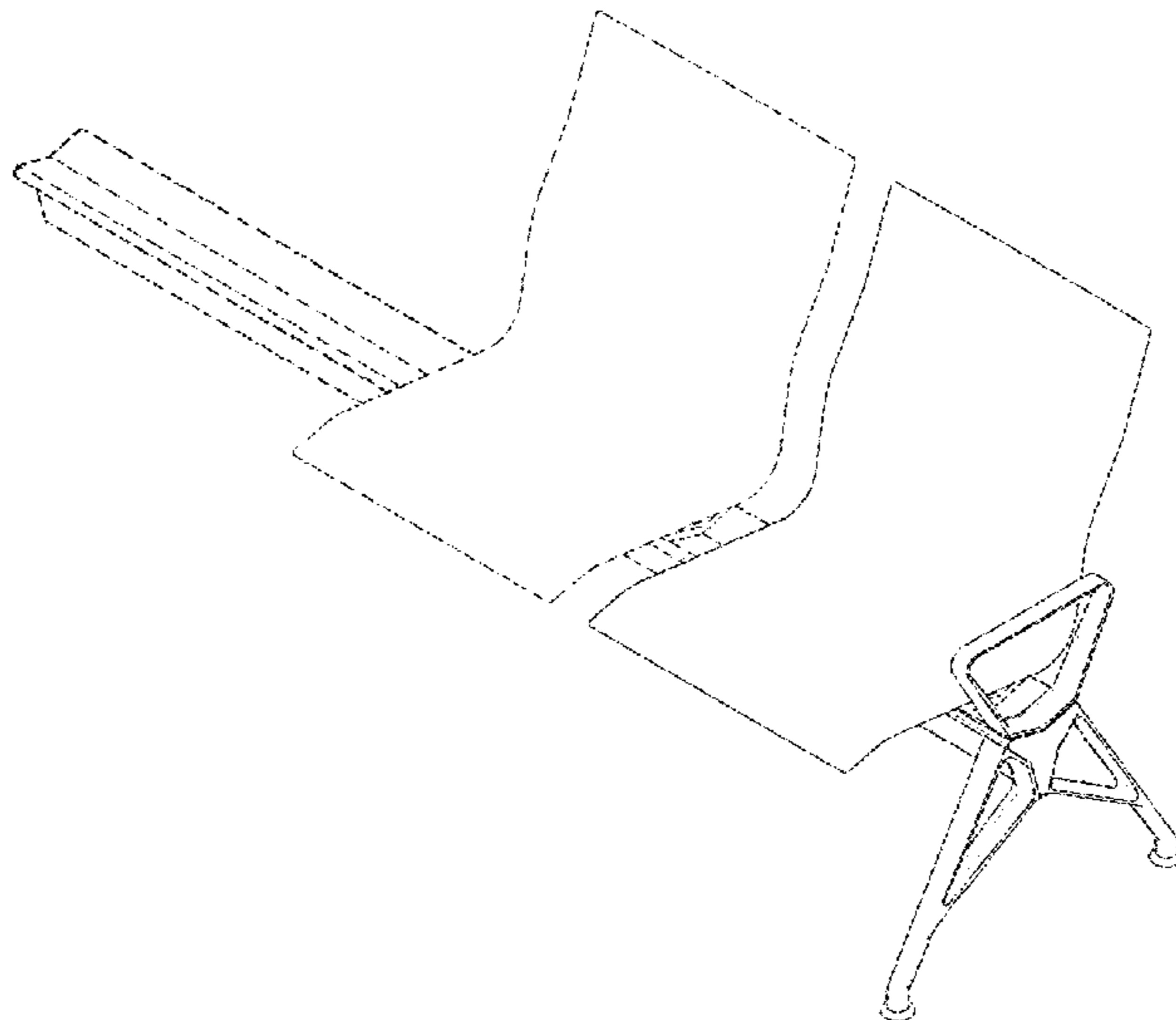
FIG. 6 is a top view thereof; and,

FIG. 7 is a bottom view thereof.

The broken lines illustrate structure or features which form no part of the claimed design.

The dot-dash broken lines illustrate boundaries which form no part of the claimed design.

**1 Claim, 7 Drawing Sheets**



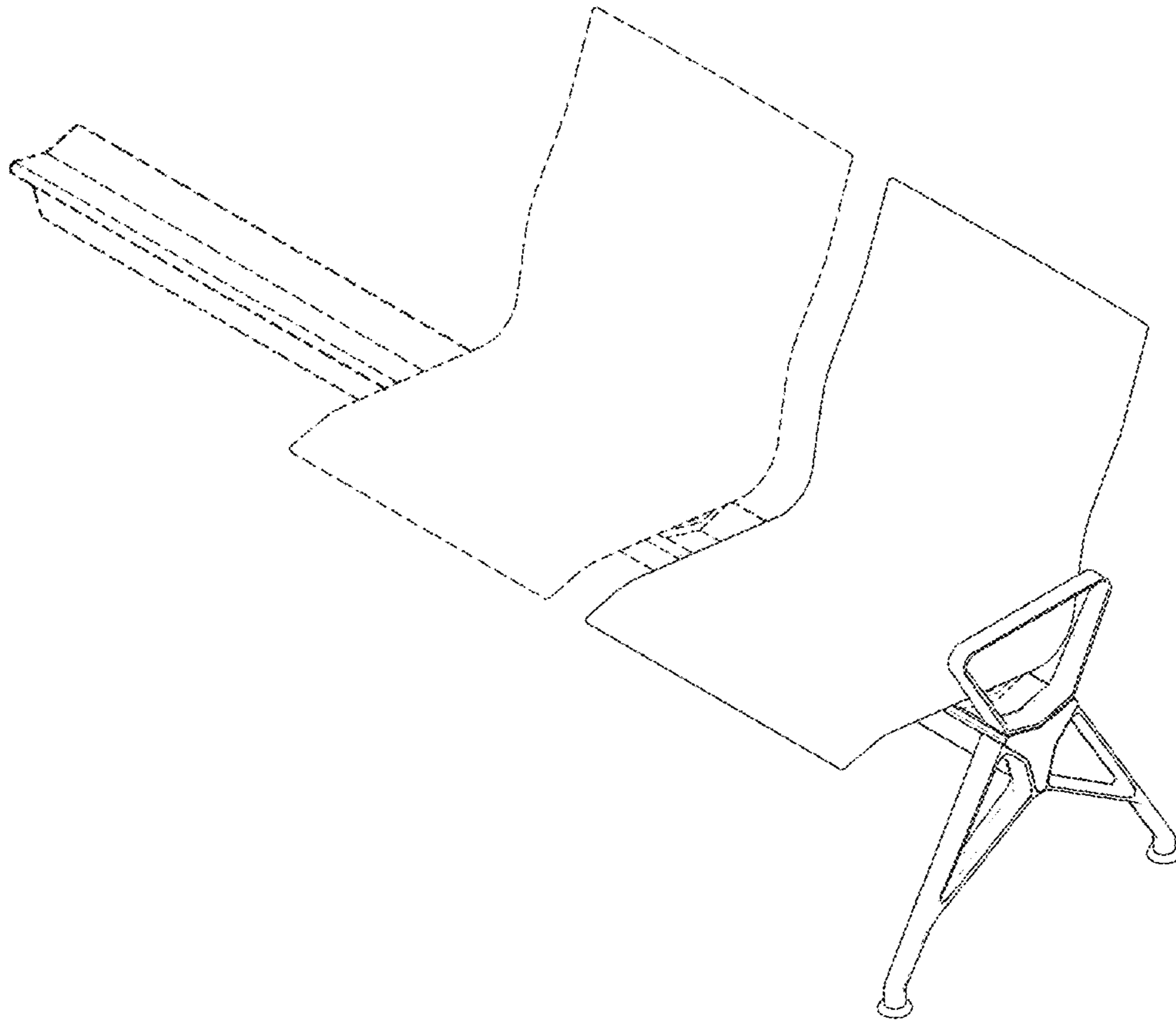


FIG. 1

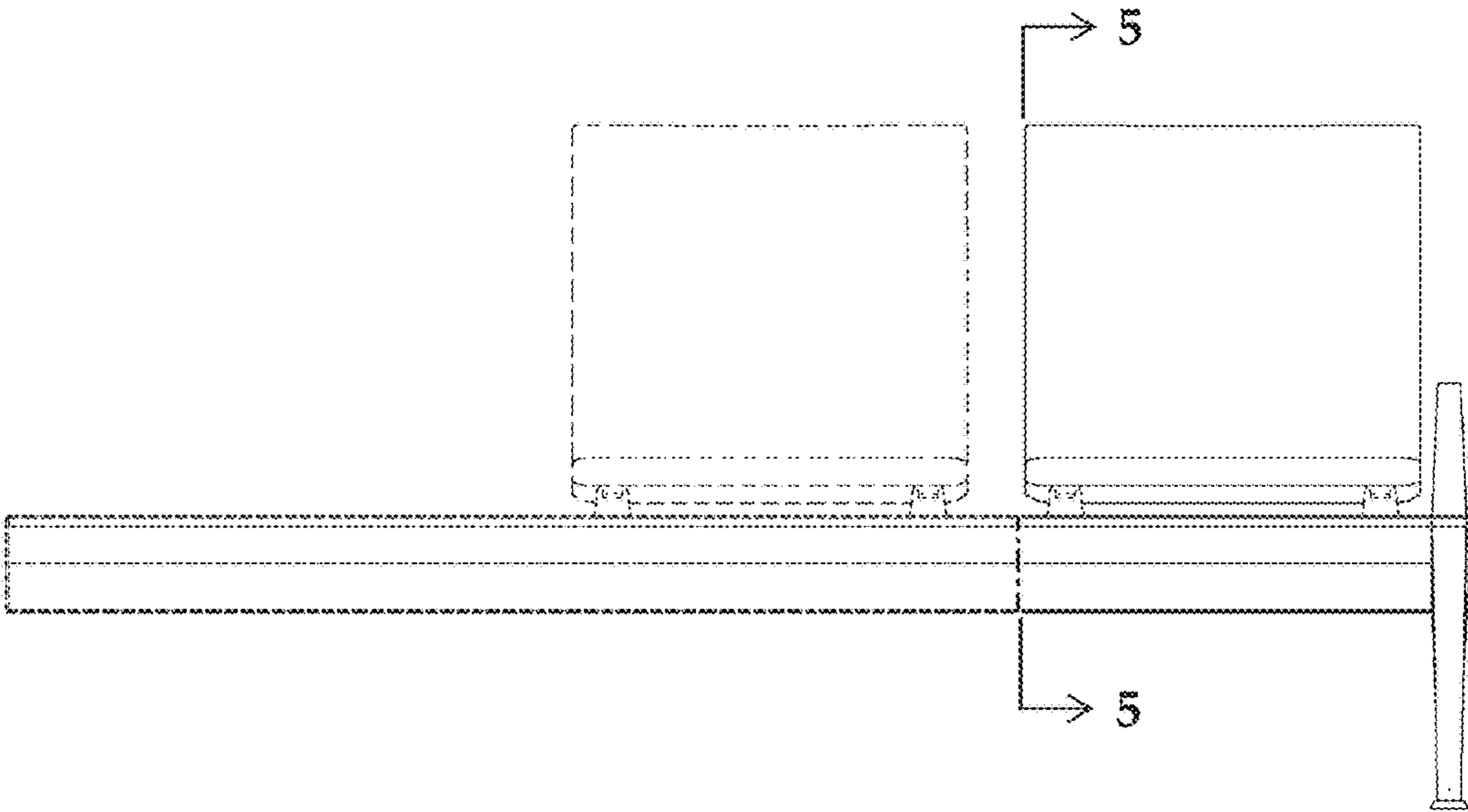


FIG. 2

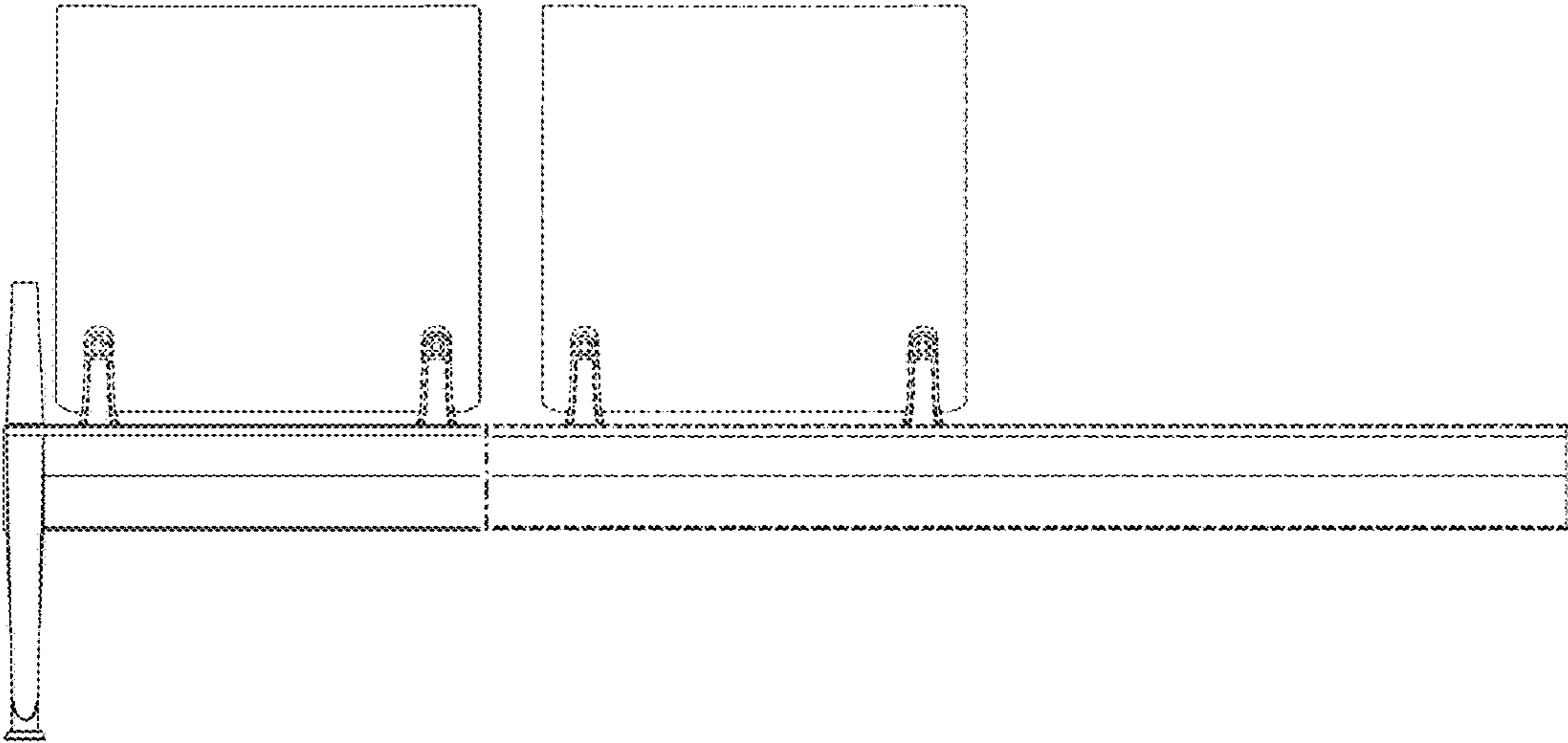


FIG. 3

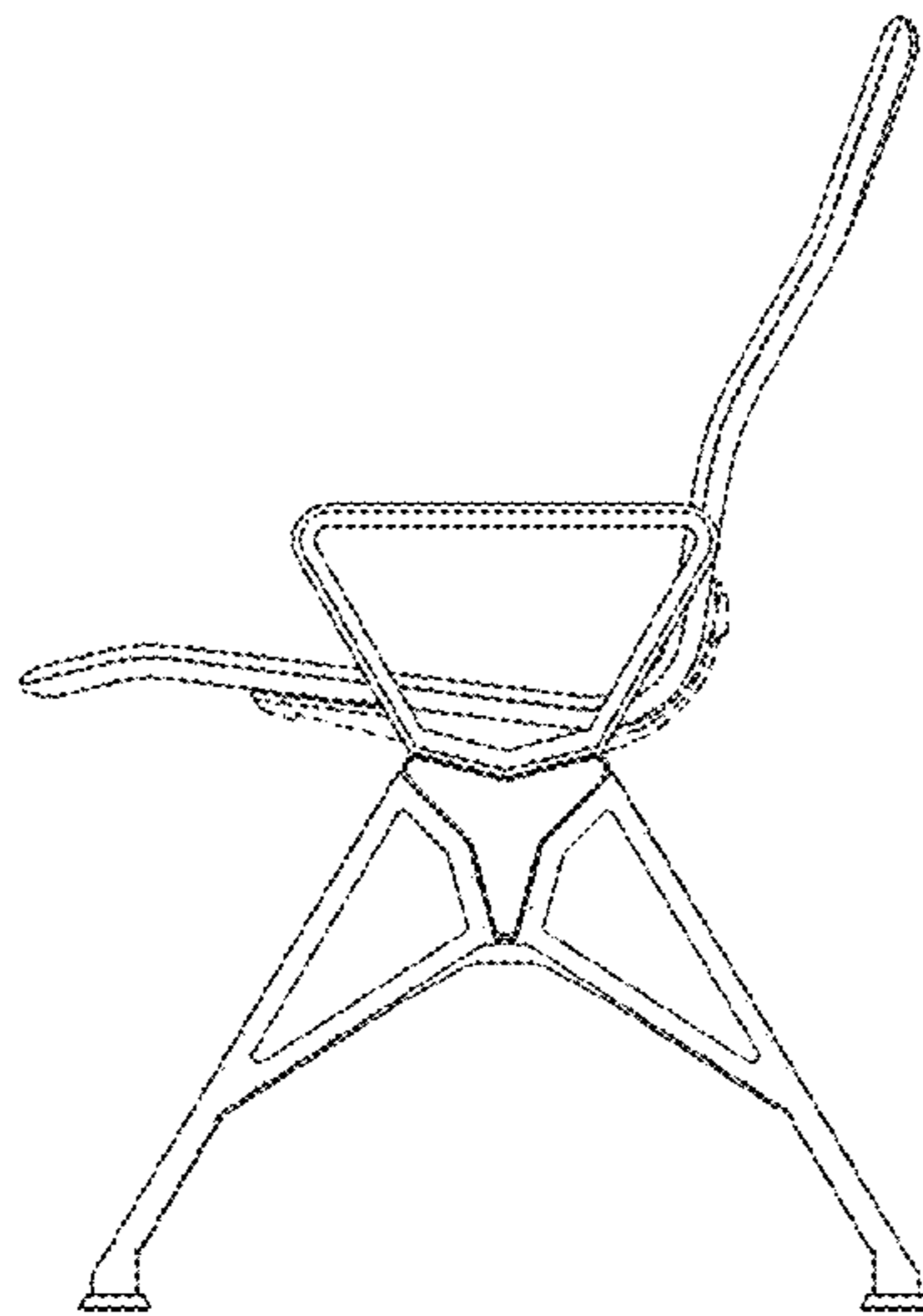


FIG. 4

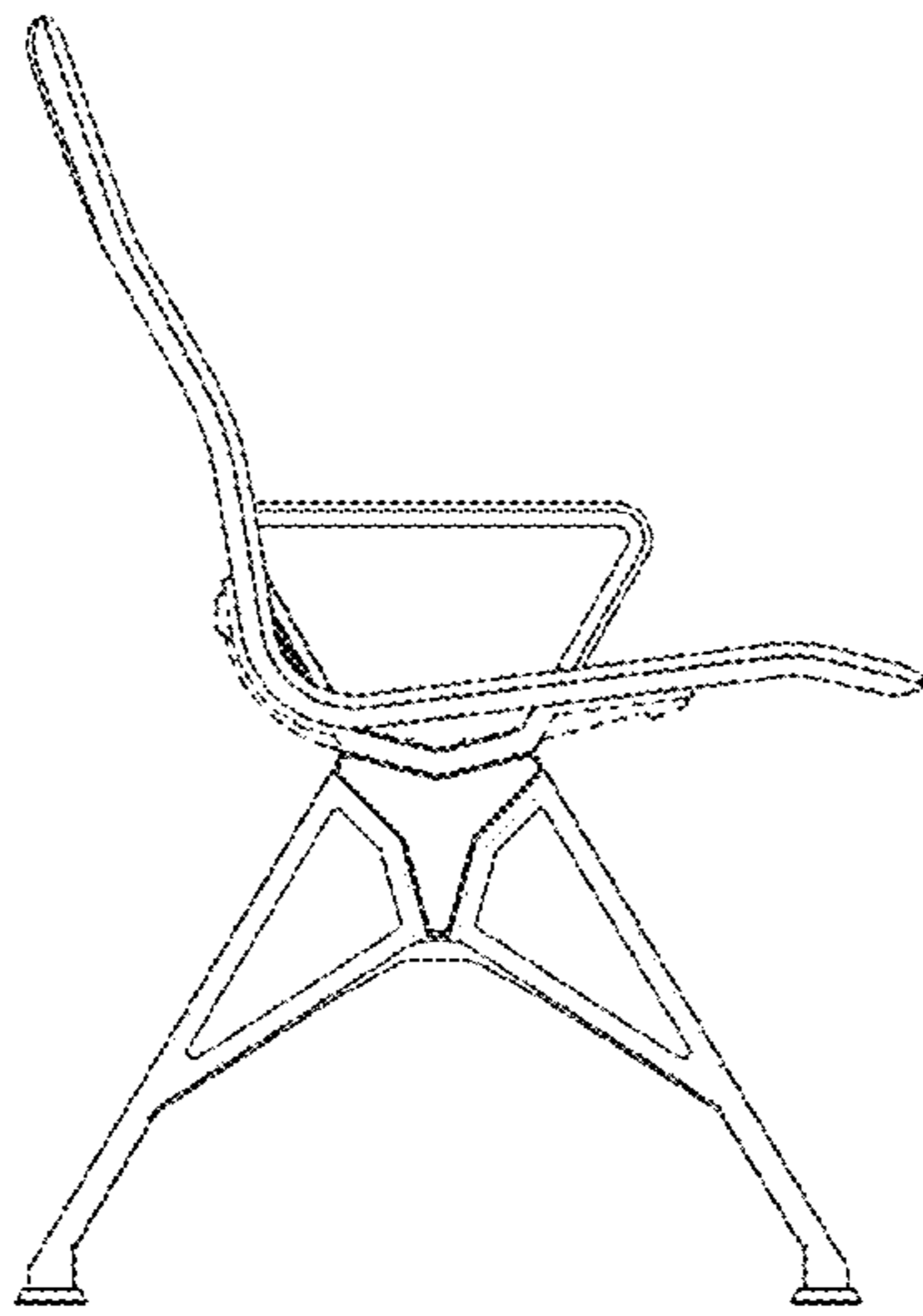


FIG. 5

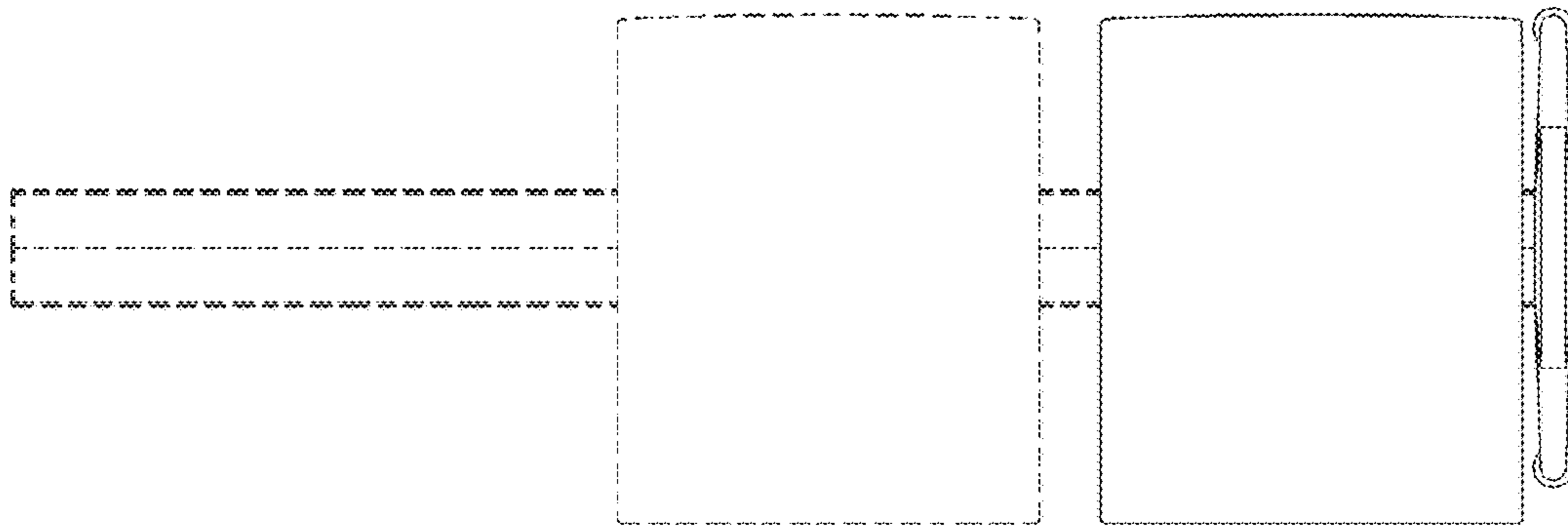


FIG. 6

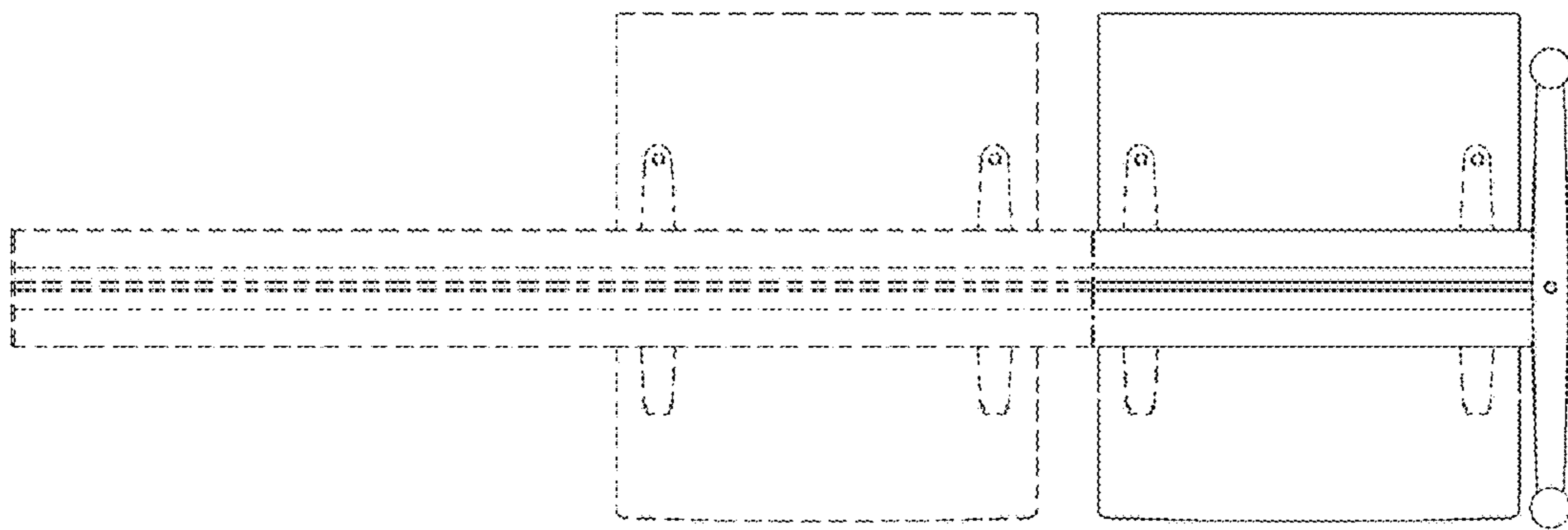


FIG. 7