



US00D836929S

(12) **United States Design Patent** (10) **Patent No.:** **US D836,929 S**
Fletcher et al. (45) **Date of Patent:** **** Jan. 1, 2019**

(54) **STACKABLE CANTILEVER CHAIR**
(71) Applicant: **Virco Manufacturing Corporation**,
Torrance, CA (US)
(72) Inventors: **Scott Fletcher**, Redondo Beach, CA
(US); **Robert J. Mills**, Torrance, CA
(US); **Peter Glass**, Arroyo Grande, CA
(US)
(73) Assignee: **Virco Manufacturing Corporation**,
Torrance, CA (US)

5,868,468 A 2/1999 Wang
D429,926 S 8/2000 Cao
D470,320 S * 2/2003 Schloss D6/375
D471,729 S * 3/2003 Glass D6/375
6,604,784 B1 8/2003 Bosman et al.
D499,260 S * 12/2004 Glass D6/375
D503,559 S * 4/2005 Glass D6/372
D504,026 S * 4/2005 Glass D6/366
D507,893 S * 8/2005 Glass D6/360
D512,252 S 12/2005 Glass et al.

(Continued)

(**) Term: **15 Years**

(21) Appl. No.: **29/580,037**

(22) Filed: **Oct. 5, 2016**

(51) **LOC (11) Cl.** **06-01**

(52) **U.S. Cl.**
USPC **D6/348; D6/375**

(58) **Field of Classification Search**
USPC D6/334-336, 341, 342, 344, 348, 366,
D6/371-375, 376, 379, 380, 716, 708.16,
D6/716.1, 716.2, 716.3, 716.4
CPC A47C 4/02; A47C 4/03; A47C 5/06; A47C
3/12; B60N 2/68

See application file for complete search history.

(56) **References Cited**

U.S. PATENT DOCUMENTS

2,745,468 A 5/1956 Kramer
3,152,836 A 10/1964 Swan
D202,549 S 10/1965 Kramer et al.
D235,709 S * 7/1975 Schier 297/239
D255,184 S * 6/1980 Locher D6/375
D297,288 S 8/1988 Raney
D317,097 S 5/1991 Vogtherr
D344,201 S 2/1994 Schwartz
D355,090 S * 2/1995 Ivicovic D6/716
D383,913 S 9/1997 Ahlstrom

OTHER PUBLICATIONS

Virco.com, Zuma Series Stacking Cantilever Chair, Feb. 10, 2017,
http://virco.com/zuma-series-stacking-cantilever-chair.*

(Continued)

Primary Examiner — David G Muller

Assistant Examiner — Nathan M Johnston

(74) *Attorney, Agent, or Firm* — Knobbe Martens Olson
and Bear, LLP; Robert M. Hupe

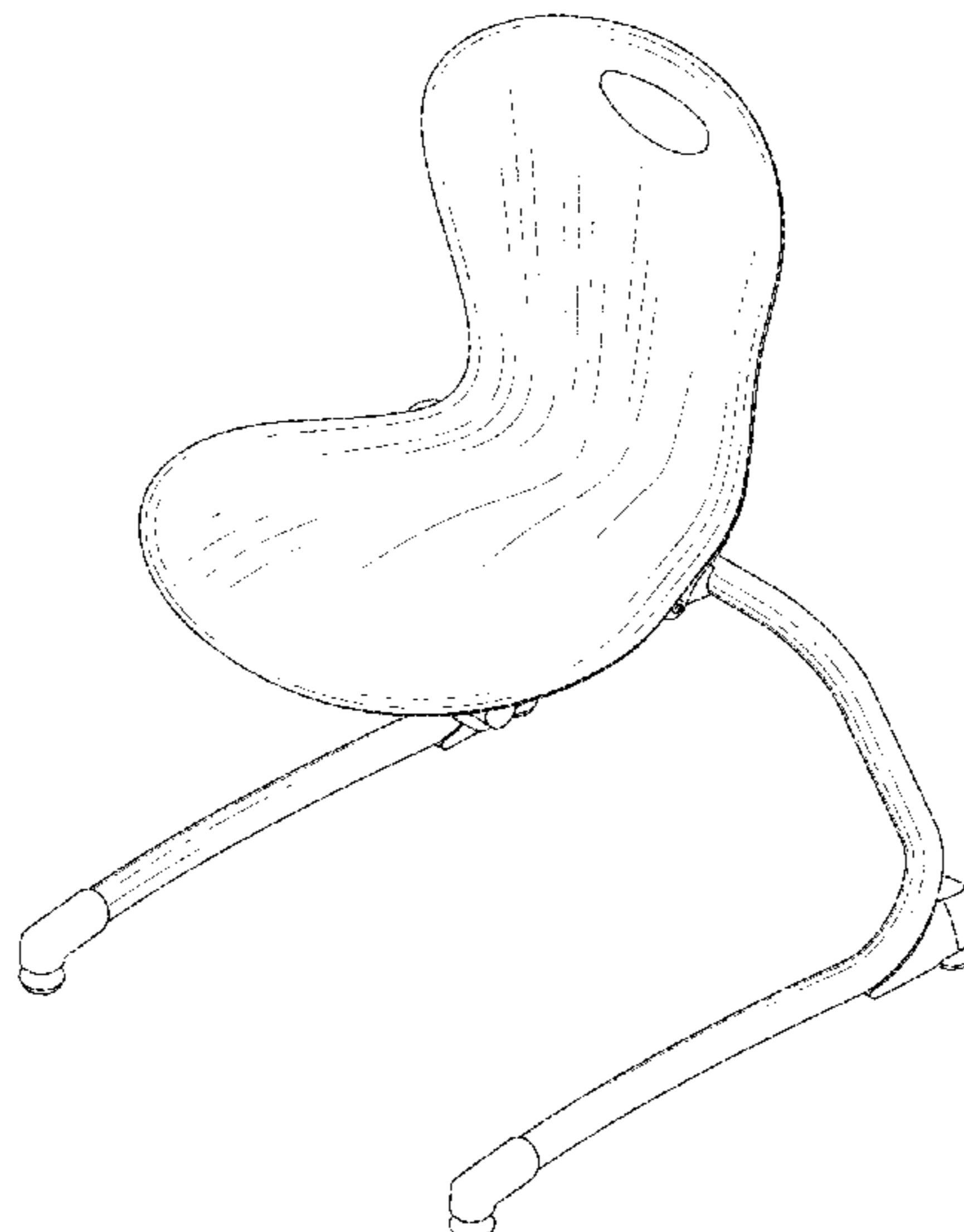
(57) **CLAIM**

The ornamental design for a stackable cantilever chair, as
shown and described.

DESCRIPTION

FIG. 1 is a front, top, right side perspective view of the
stackable cantilever chair showing our new design.
FIG. 2 is a front, bottom, right side perspective view thereof.
FIG. 3 is a front elevation view thereof.
FIG. 4 is a rear elevation view thereof.
FIG. 5 is a left elevation view thereof.
FIG. 6 is a right elevation view thereof.
FIG. 7 is a top plan view thereof; and,
FIG. 8 is a bottom plan view thereof.
Broken lines are used to illustrate portions of the stackable
cantilever chair that form no part of the claimed design.

1 Claim, 8 Drawing Sheets



(56)

References Cited

U.S. PATENT DOCUMENTS

D513,911 S * 1/2006 Glass D6/375
 D514,339 S * 2/2006 Glass D6/366
 D514,343 S 2/2006 Pilcher
 D522,265 S * 6/2006 Glass D6/375
 D526,134 S * 8/2006 Glass D6/348
 D544,230 S * 6/2007 Glass D6/375
 D546,087 S 7/2007 Rashid
 D659,444 S * 5/2012 James D6/375
 D669,279 S 10/2012 Eldoy
 D707,461 S 6/2014 Rada et al.
 D720,953 S 1/2015 Regan et al.
 D742,153 S * 11/2015 Hui D6/375
 D743,180 S * 11/2015 Mehaffey D6/375
 D764,850 S * 8/2016 Davidson D6/375
 D767,296 S * 9/2016 Chen D6/375
 2004/0075328 A1 4/2004 Petty
 2005/0099045 A1 5/2005 Socha et al.
 2005/0275262 A1 * 12/2005 Mills A47C 3/029
 297/271.5
 2008/0100120 A1 * 5/2008 Fletcher A47C 3/12
 297/448.2

2009/0195047 A1 * 8/2009 Bouche A47C 3/04
 297/452.14
 2012/0086258 A1 * 4/2012 Fletcher A47B 91/024
 297/445.1
 2012/0267923 A1 * 10/2012 Bouche A47C 7/68
 297/161
 2013/0082505 A1 4/2013 Schneider et al.
 2014/0077573 A1 * 3/2014 Schneider A47C 3/12
 297/452.14
 2016/0106216 A1 * 4/2016 Mehaffey A47C 3/12
 297/452.14

OTHER PUBLICATIONS

V/S Furniture, Product Information—"PantoSwing-VF Forward-flexing cantilever chair," PSwing-VF-Schul_TY_EN, Feb. 27, 2014.
 Bretford, "Emoji™ Desking + Seating," L16SSEMOJ, 2016.
 Mata Reverse Cantilever Chair, Apr. 2013.
 Image, Ovation Classroom Cantilever Chair, 2016.
 Image, Emoji Cantilever Chair, 2016.
 virco.com, Zuma series stacking cantilever chair, Feb. 10, 2017, available at <http://virco.com/zuma-series-stacking-cantilever-chair>.

* cited by examiner

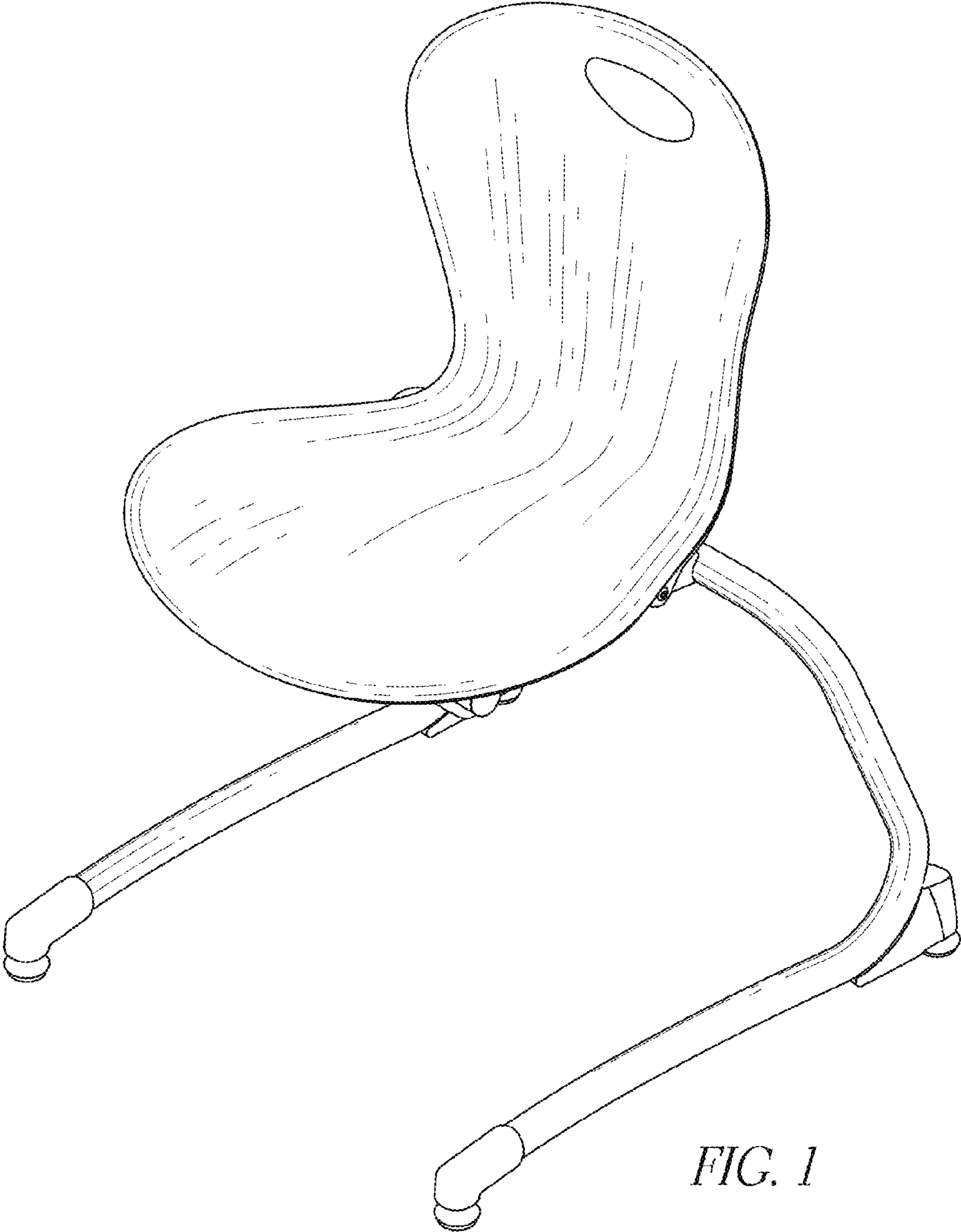


FIG. 1

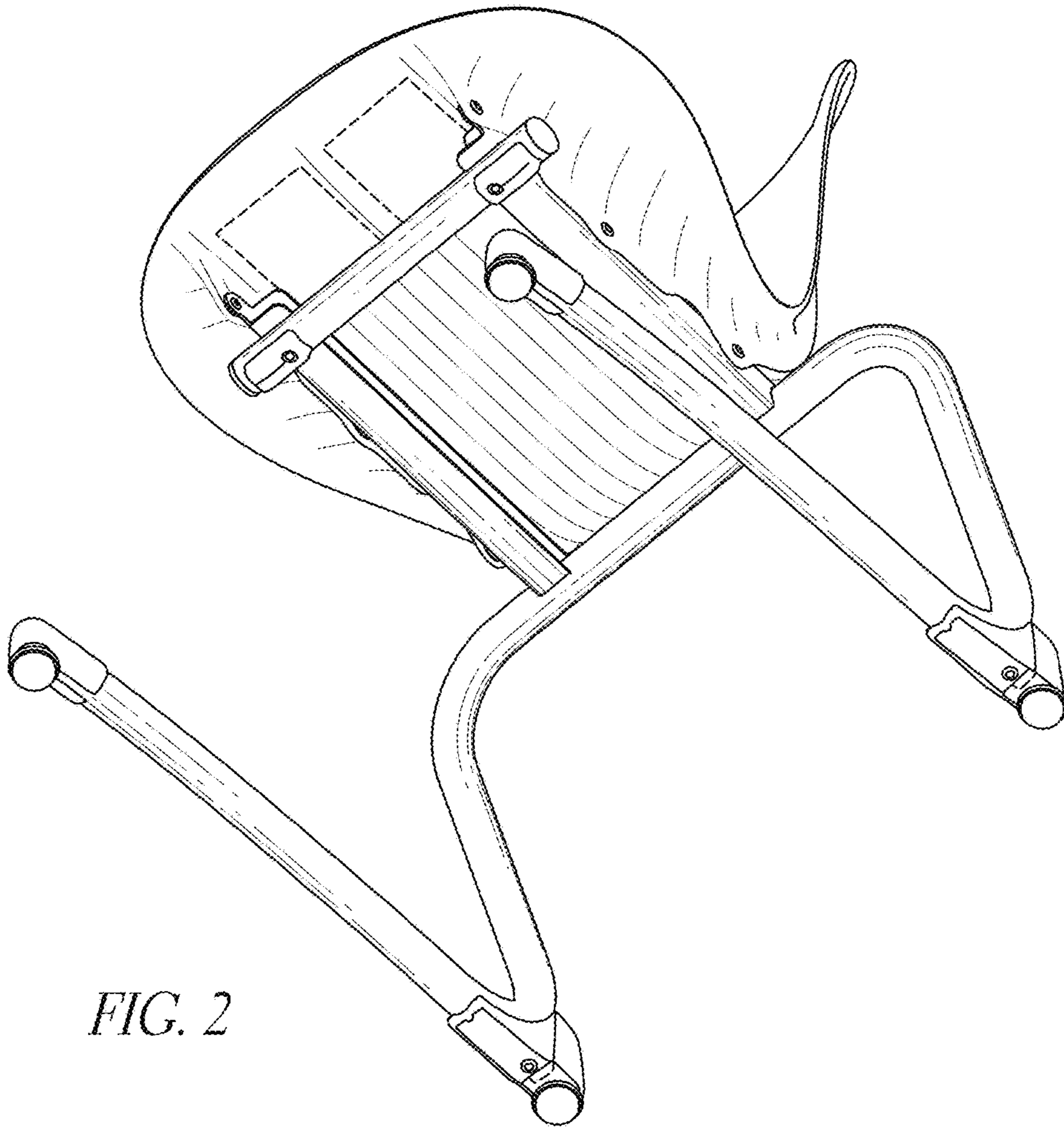


FIG. 2

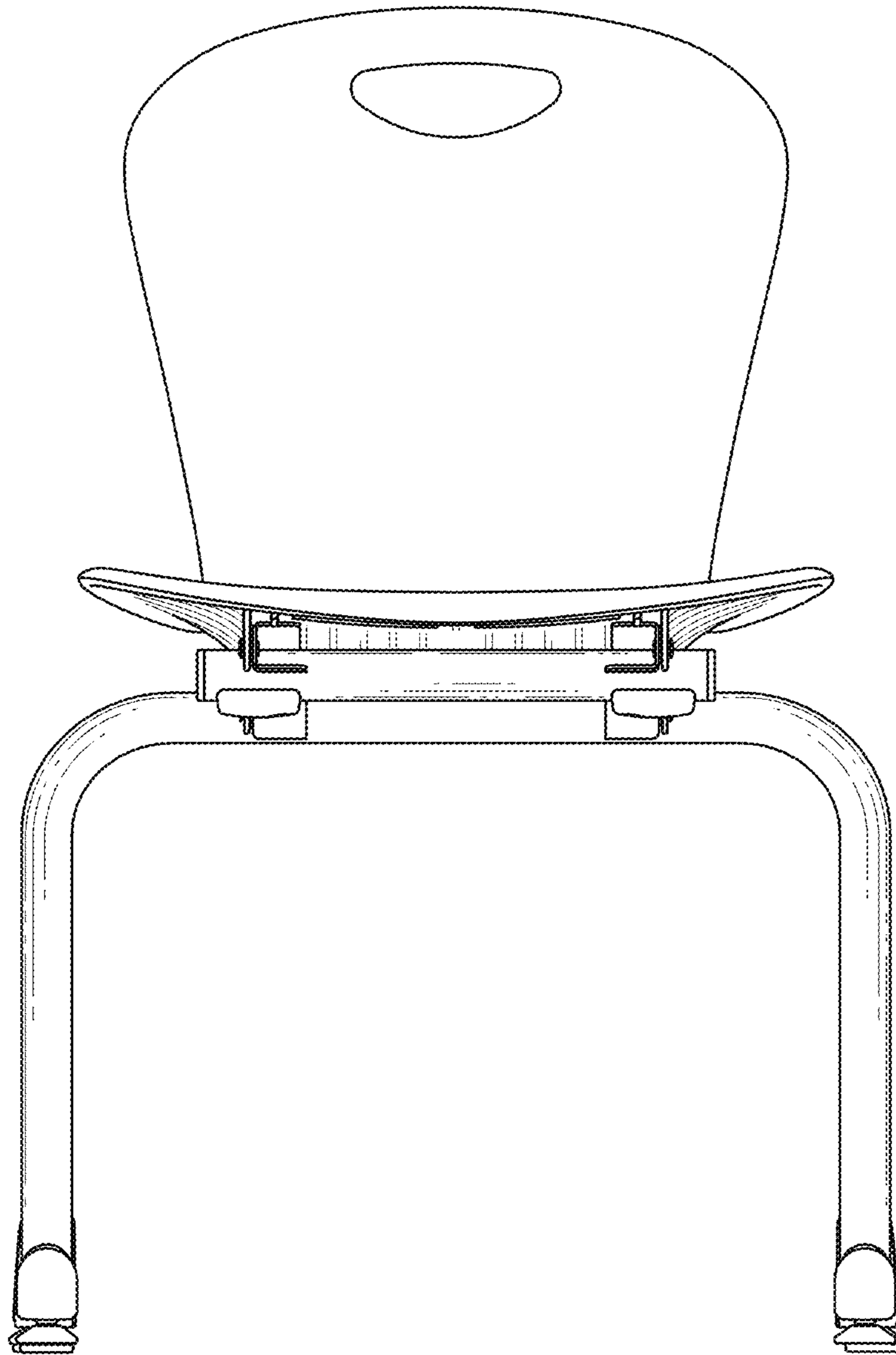


FIG. 3

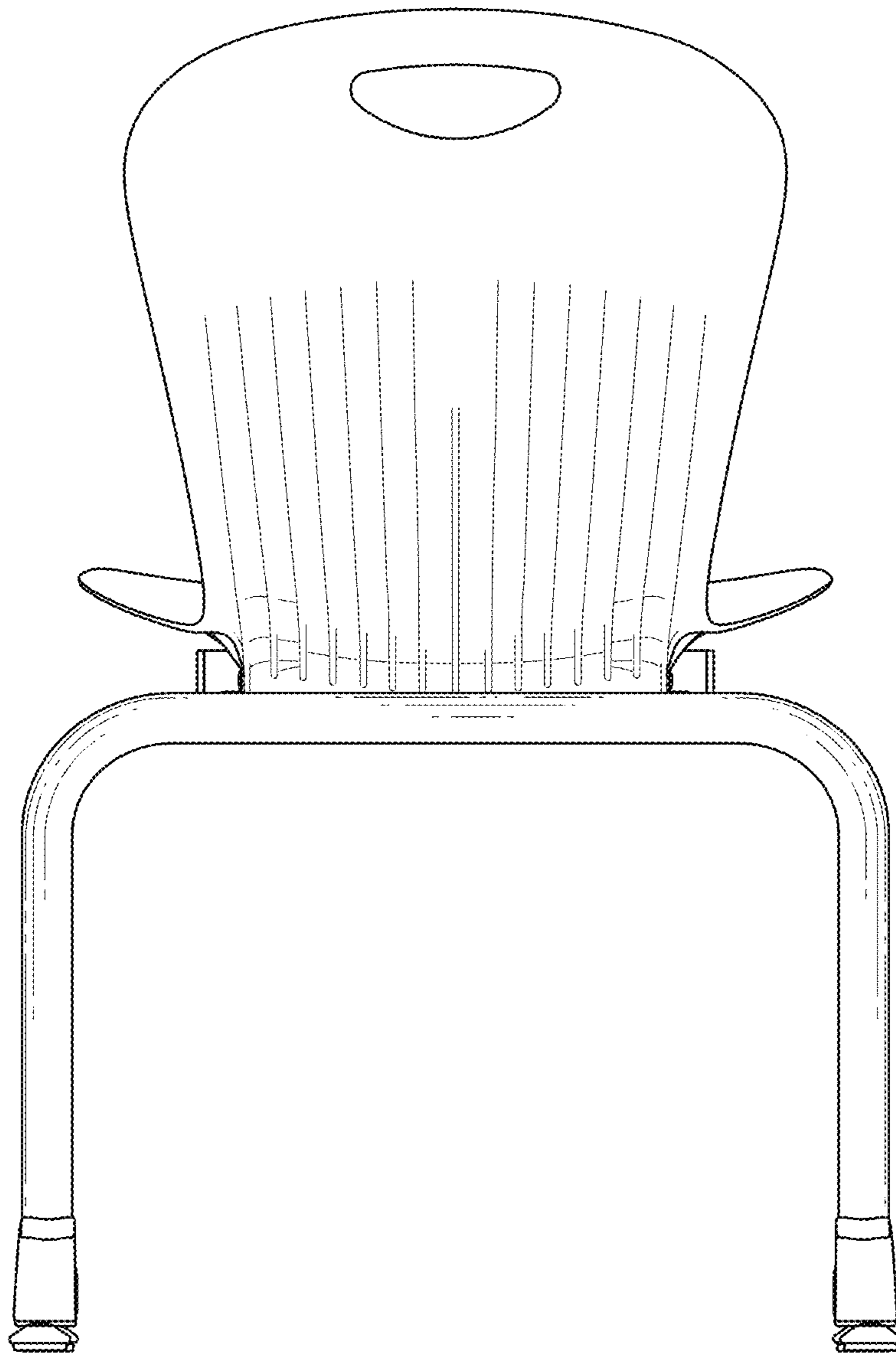


FIG. 4

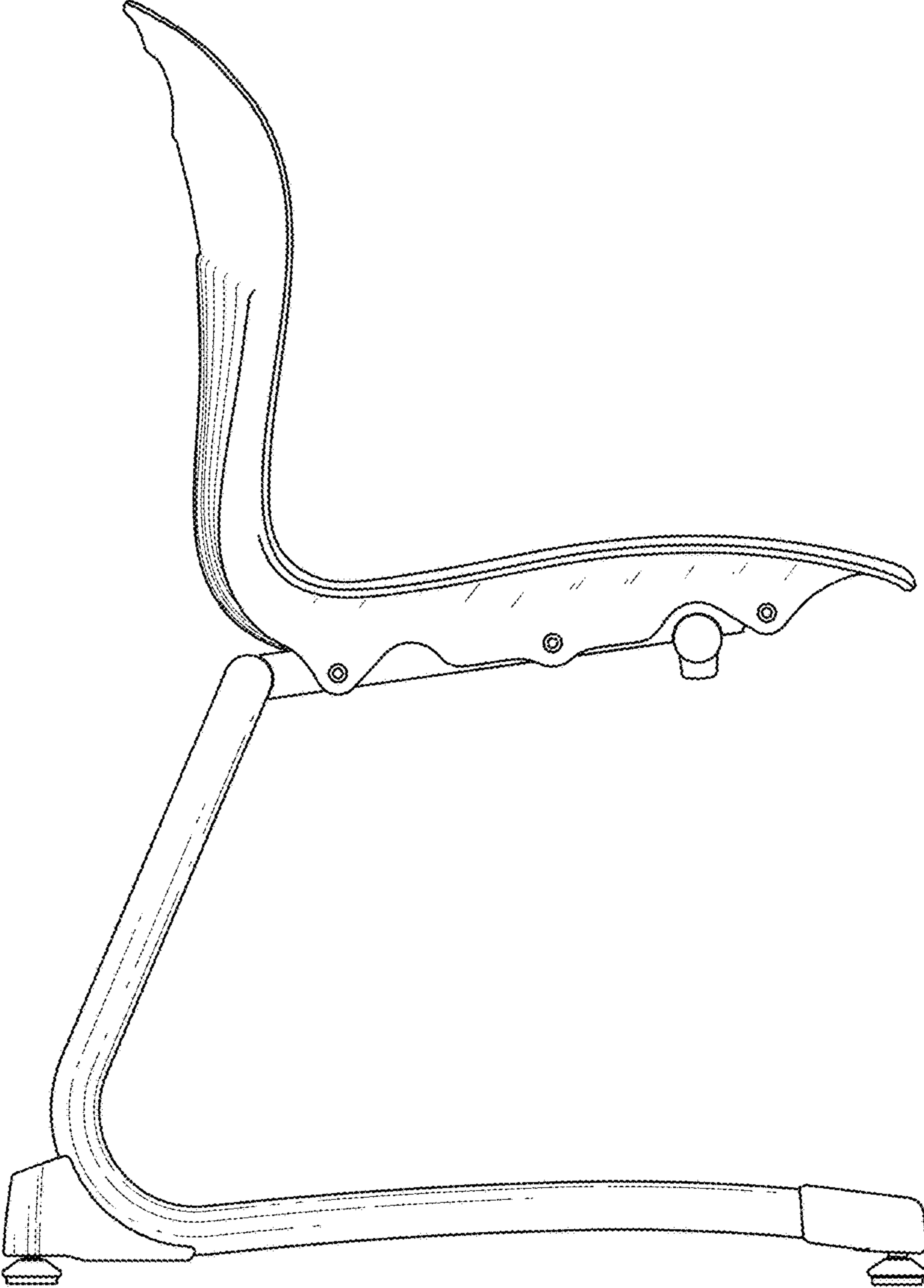


FIG. 5

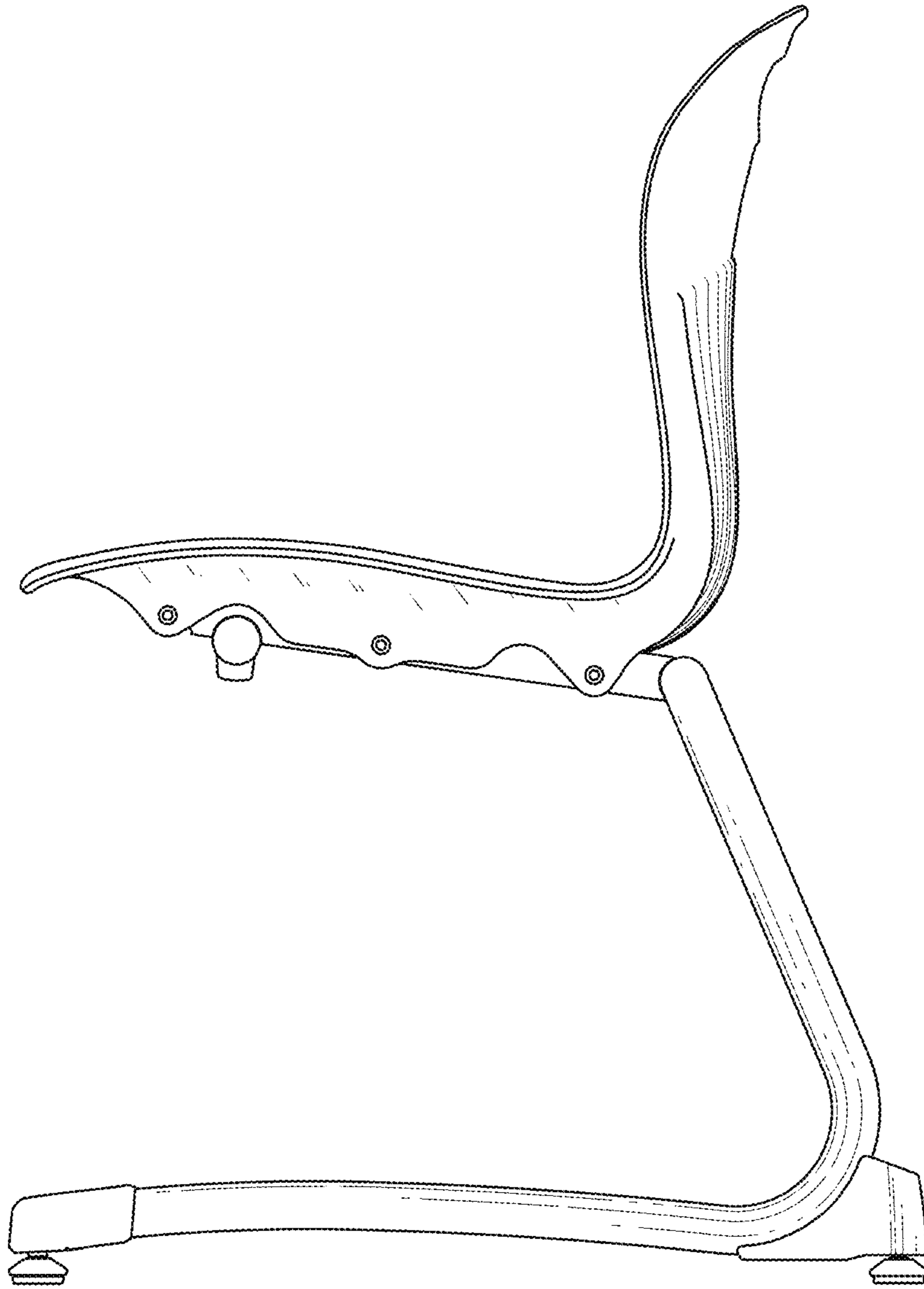


FIG. 6

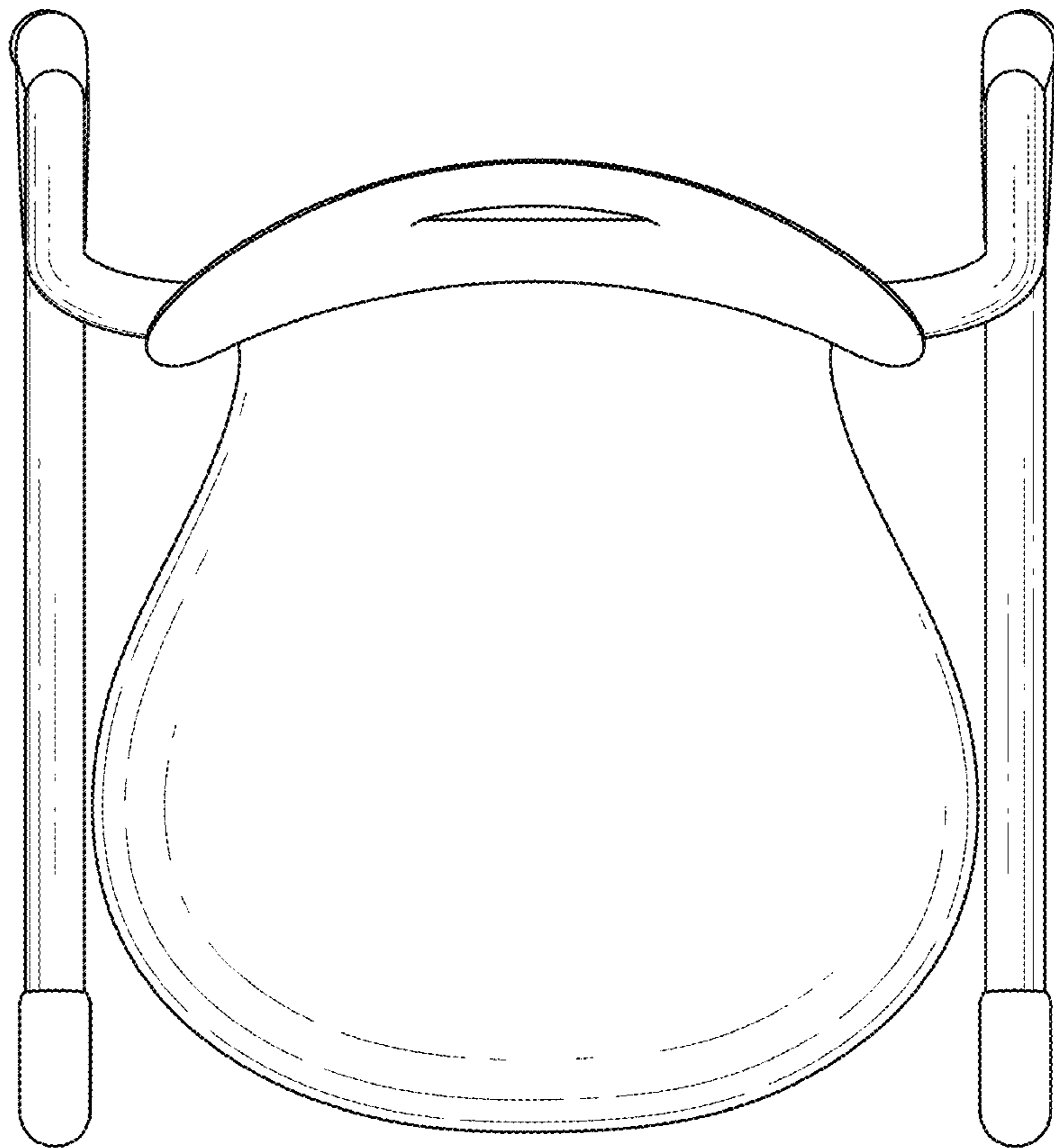


FIG. 7

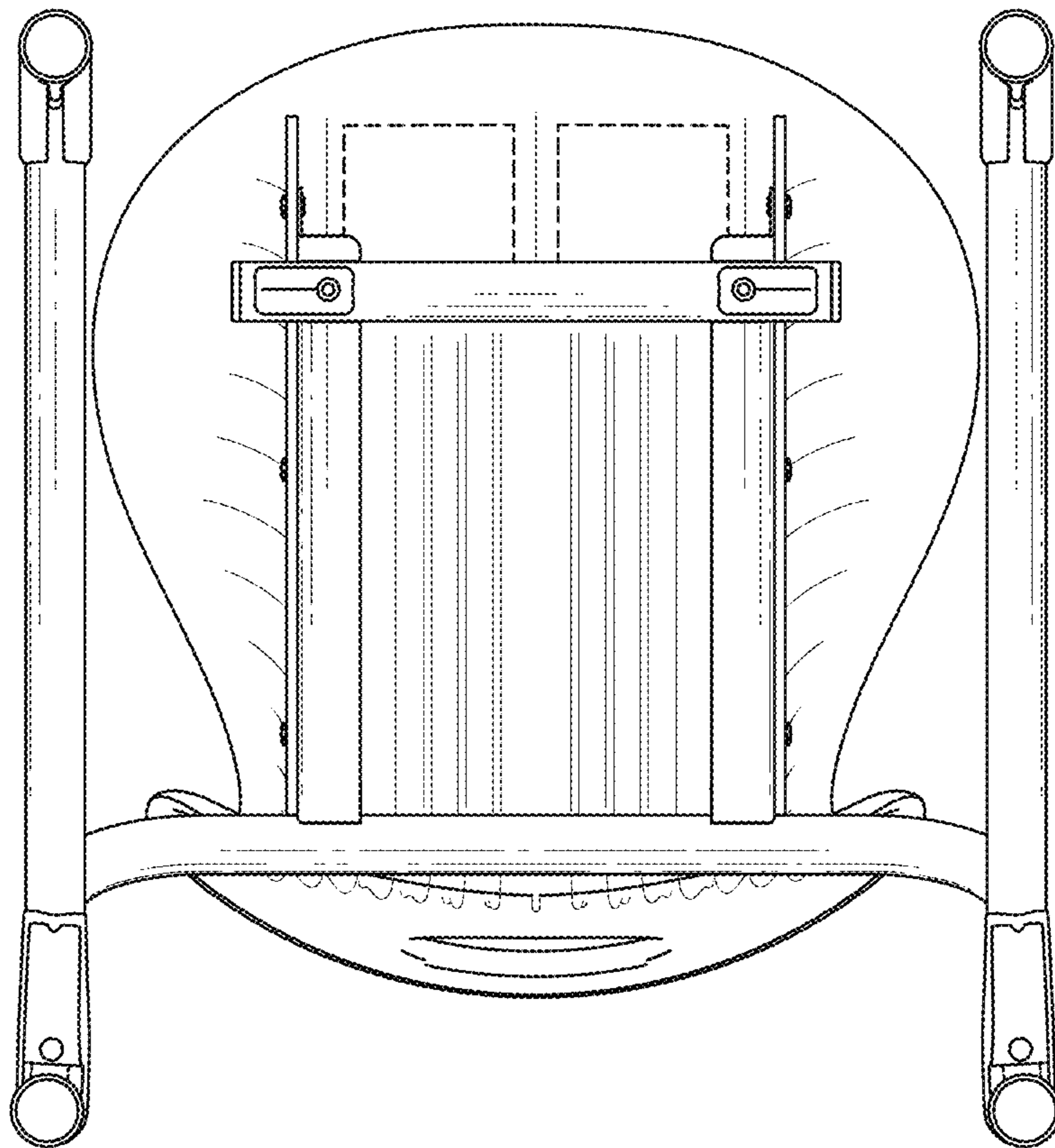


FIG. 8