



US00D836928S

(12) **United States Design Patent**  
**Samikkannu et al.**

(10) **Patent No.:** **US D836,928 S**

(45) **Date of Patent:** **\*\* Jan. 1, 2019**

(54) **TABLE WITH BENCH SEATING**

(71) Applicant: **AmTab Manufacturing Corporation,**  
Aurora, IL (US)

(72) Inventors: **Doss Samikkannu,** Des Plaines, IL  
(US); **Jeremias C. Rivera, Jr.,**  
Elmhurst, IL (US)

(73) Assignee: **Amtab Manufacturing Corporation,**  
Aurora, IL (US)

(\*\*) Term: **15 Years**

(21) Appl. No.: **29/611,865**

(22) Filed: **Jul. 26, 2017**

(51) **LOC (11) Cl.** ..... **06-01**

(52) **U.S. Cl.**  
USPC ..... **D6/337**

(58) **Field of Classification Search**  
USPC ..... D6/334–338, 340–342  
CPC ..... A47B 3/14; A47B 3/002; A47B 3/083;  
A47B 3/087; A47B 2003/145; A47B  
83/02

See application file for complete search history.

(56) **References Cited**

**U.S. PATENT DOCUMENTS**

8,181,583 B2 5/2012 Rivera, Jr. et al.  
8,205,937 B2 6/2012 Rivera, Jr. et al.  
8,479,667 B2 7/2013 Rivera, Jr. et al.

**OTHER PUBLICATIONS**

AmTab Manufacturing Corporation, AmTab American Tables—  
Since 1958, Mobile Table catalog, 2016, specifically pp. 3, 6, 8 and  
9.

*Primary Examiner* — Deanna L Pratt

(74) *Attorney, Agent, or Firm* — Hinshaw & Culbertson  
LLP

(57) **CLAIM**

The ornamental design for a table with bench seating, as  
shown and described.

**DESCRIPTION**

FIG. 1 is a top front perspective view of a table with bench  
seating depicting the new design;

FIG. 2 is a front elevational view of the table depicted in  
FIG. 1;

FIG. 3 is a rear elevational view of the table depicted in FIG.  
1;

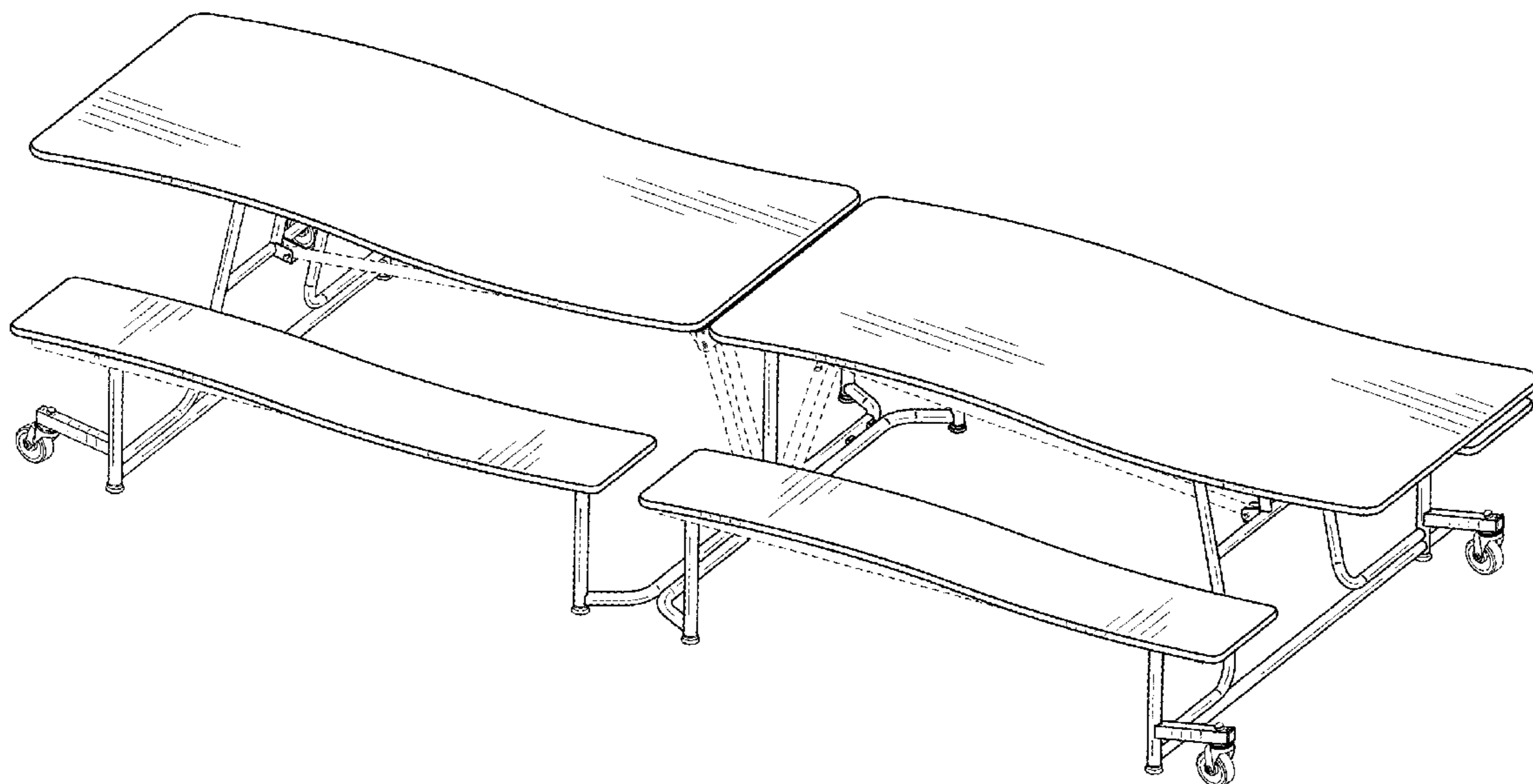
FIG. 4 is a left side elevational view of the table depicted in  
FIG. 1;

FIG. 5 is a right side elevational view of the table depicted  
in FIG. 1;

FIG. 6 is a top plan view of the table depicted in FIG. 1; and,  
FIG. 7 is a bottom plan view of the table depicted in FIG. 1.

The broken lines showing portions of the table frame are for  
the purpose of illustrating portions of the table with bench  
seating that form no part of the claimed design.

**1 Claim, 5 Drawing Sheets**



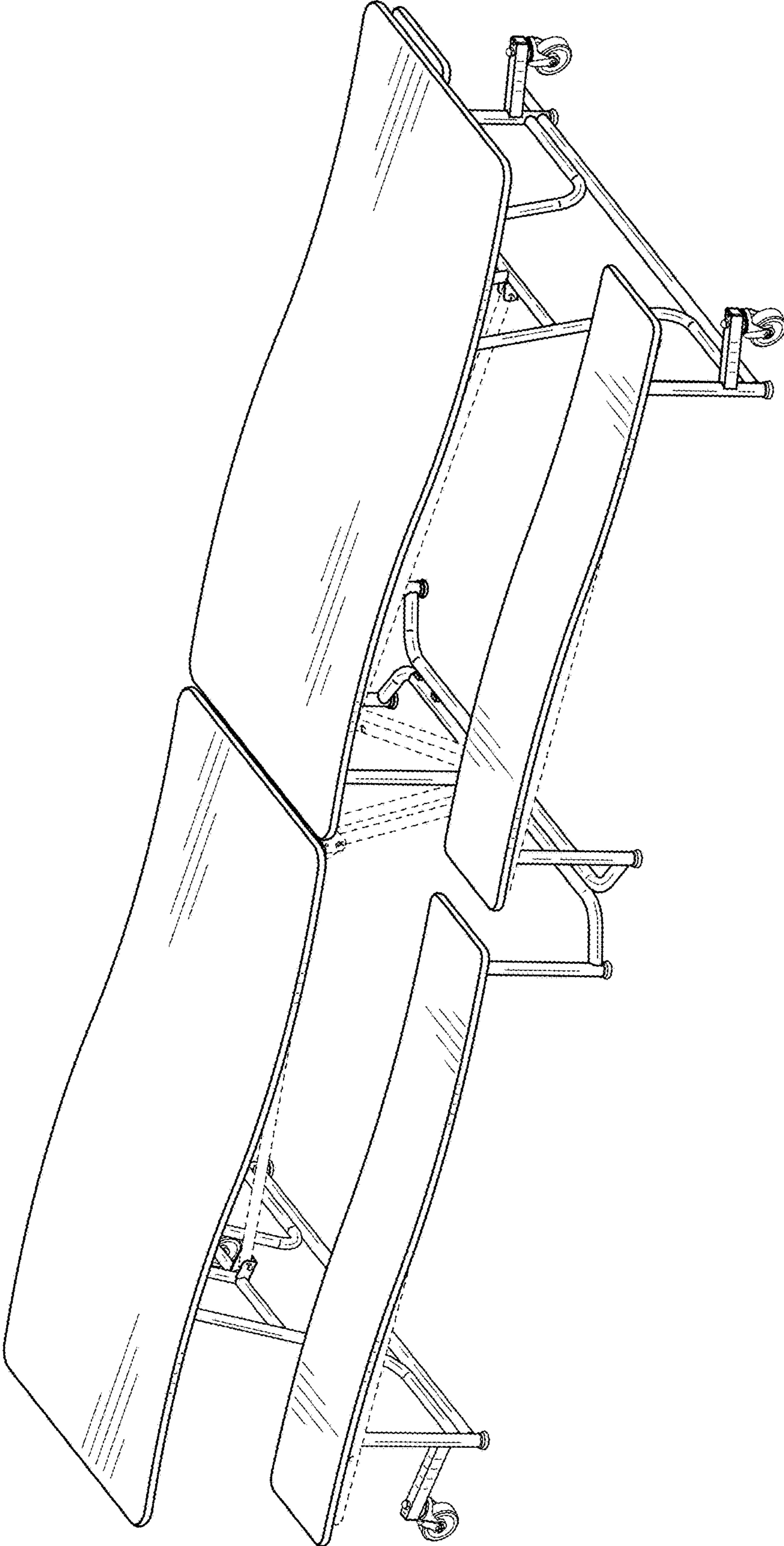


FIG. 1



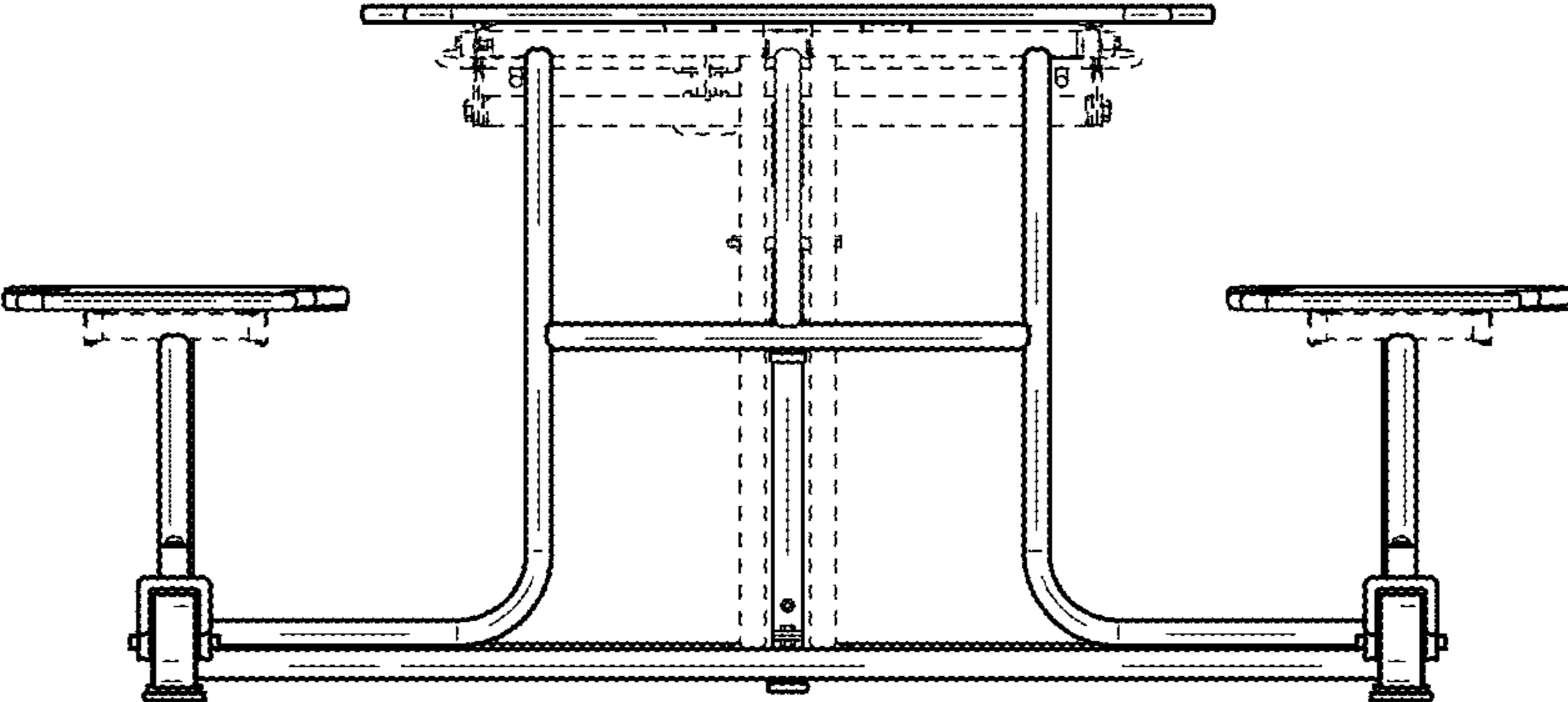


FIG. 4

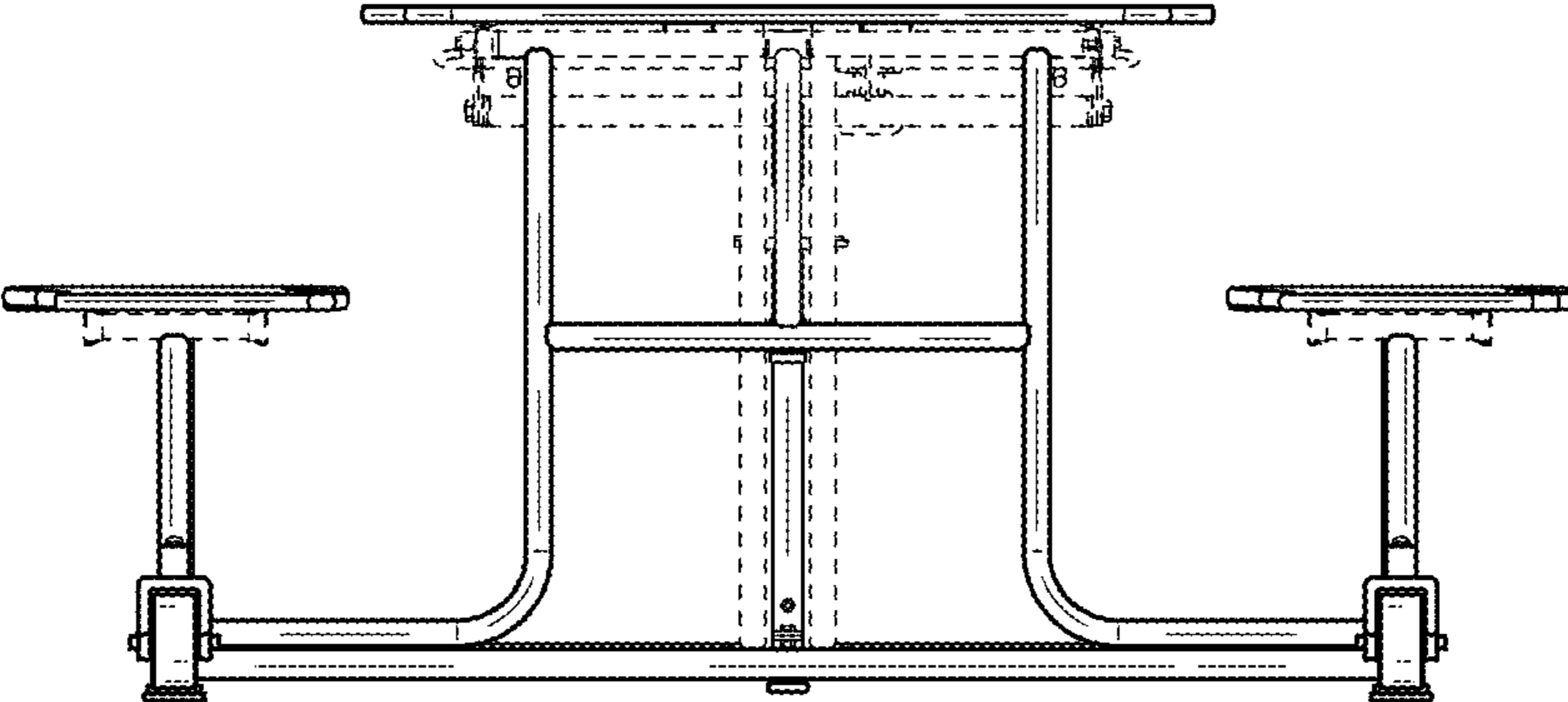


FIG. 5

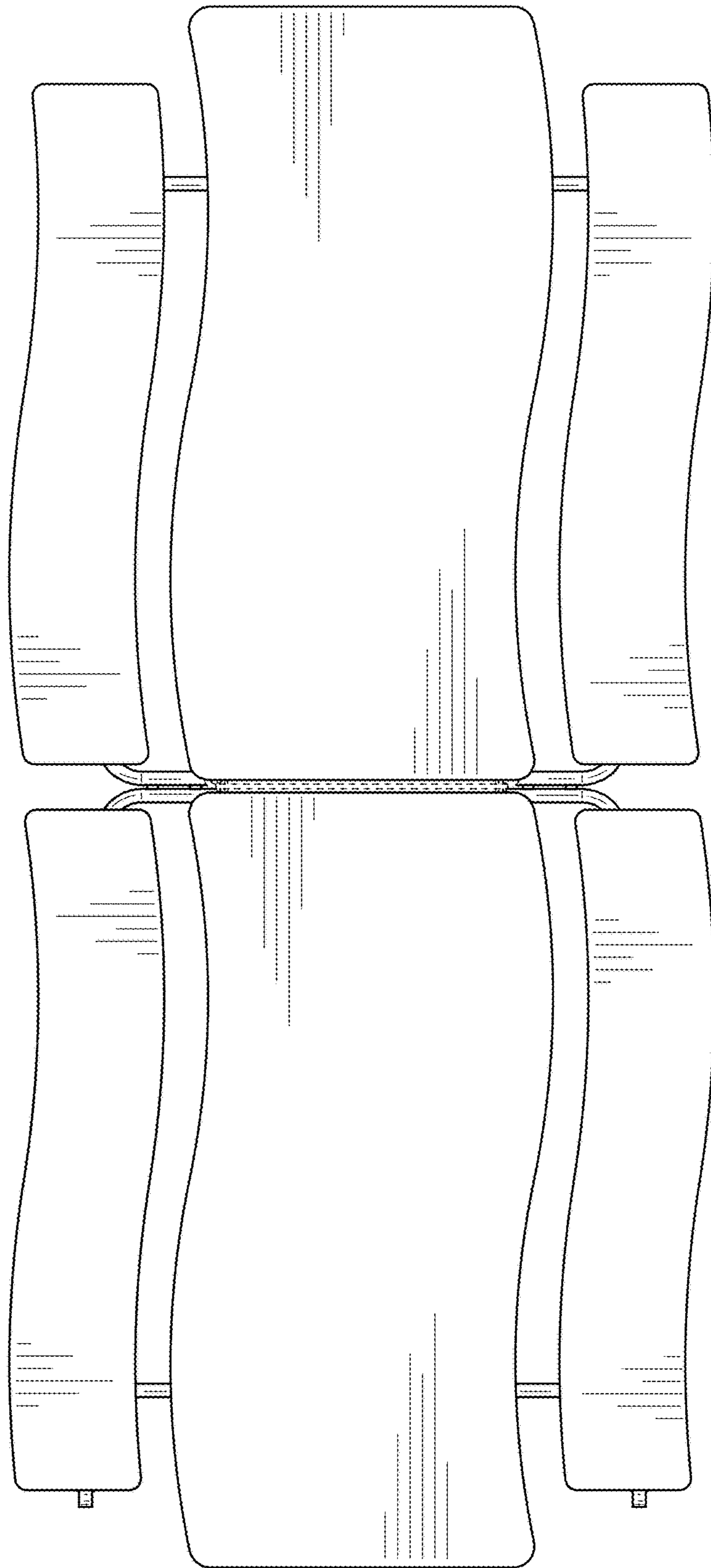


FIG. 6

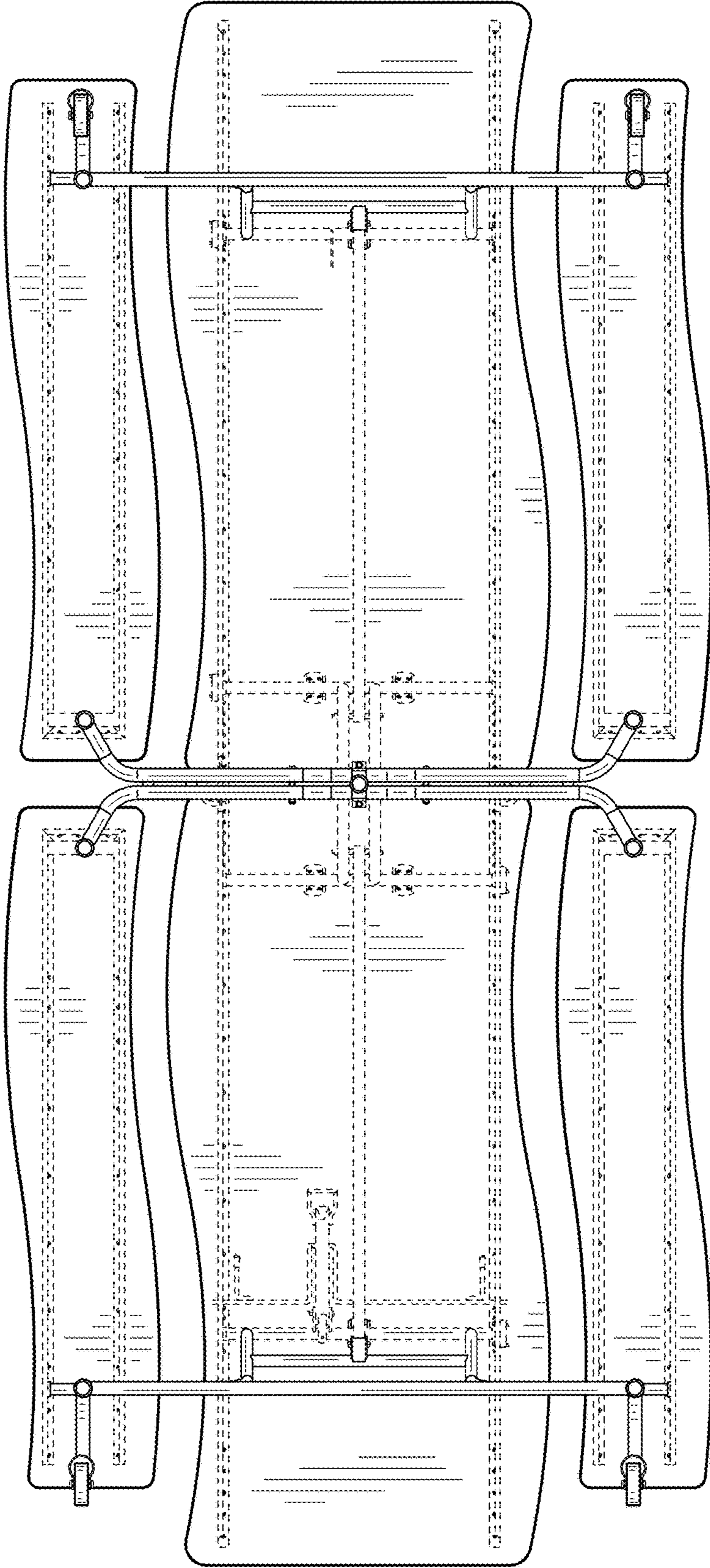


FIG. 7