



US00D836926S

(12) **United States Design Patent**  
**Kanthasamy**

(10) **Patent No.:** **US D836,926 S**  
(45) **Date of Patent:** **\*\* Jan. 1, 2019**

(54) **WINGED SOFA WITH STRAIGHT LEGS**

(71) Applicant: **Abedan Kanthasamy**, Ontario (CA)

(72) Inventor: **Abedan Kanthasamy**, Ontario (CA)

(\*\*) Term: **15 Years**

(21) Appl. No.: **29/629,446**

(22) Filed: **Dec. 13, 2017**

(30) **Foreign Application Priority Data**

Nov. 14, 2017 (CA) ..... 178,213

(51) **LOC (11) Cl.** ..... **06-01**

(52) **U.S. Cl.**  
USPC ..... **D6/335; D6/381**

(58) **Field of Classification Search**  
USPC ..... D6/334, 335, 336, 338, 342, 360, 367,  
D6/368, 369, 371-375, 377, 378, 381,  
D6/382, 383  
CPC ..... A47D 11/005; A47C 4/02; A47C 17/04;  
A47C 17/045; A47C 17/12; A47C 17/13;  
A47C 17/16; A47C 17/22; A47C 17/32  
See application file for complete search history.

(56) **References Cited**

**U.S. PATENT DOCUMENTS**

D180,478 S *	6/1957	Gera	.....	D6/334
D425,711 S *	5/2000	Desombre	.....	D6/334
D431,381 S *	10/2000	Gomez	.....	D6/361
D443,996 S *	6/2001	Nicoletti	.....	D6/335
D444,305 S *	7/2001	Mourgue	.....	D6/335
D446,962 S *	8/2001	Mourgue	.....	D6/335
D498,075 S *	11/2004	Mourgue	.....	D6/335
D509,370 S *	9/2005	Natuzzi	.....	D6/334
D525,045 S *	7/2006	Natuzzi	.....	D6/381
D527,198 S *	8/2006	Nicoletti	.....	D6/381
D571,563 S *	6/2008	Natuzzi	.....	D6/334
D577,211 S *	9/2008	Natuzzi	.....	D6/334
D592,883 S *	5/2009	Natuzzi	.....	D6/381

D600,468 S *	9/2009	Natuzzi	.....	D6/381
D603,618 S *	11/2009	Weiss	.....	D6/381
D610,366 S *	2/2010	Kanthasamy	.....	D6/381

(Continued)

*Primary Examiner* — Deanna L Pratt

(74) *Attorney, Agent, or Firm* — Harness, Dickey & Pierce, P.L.C.

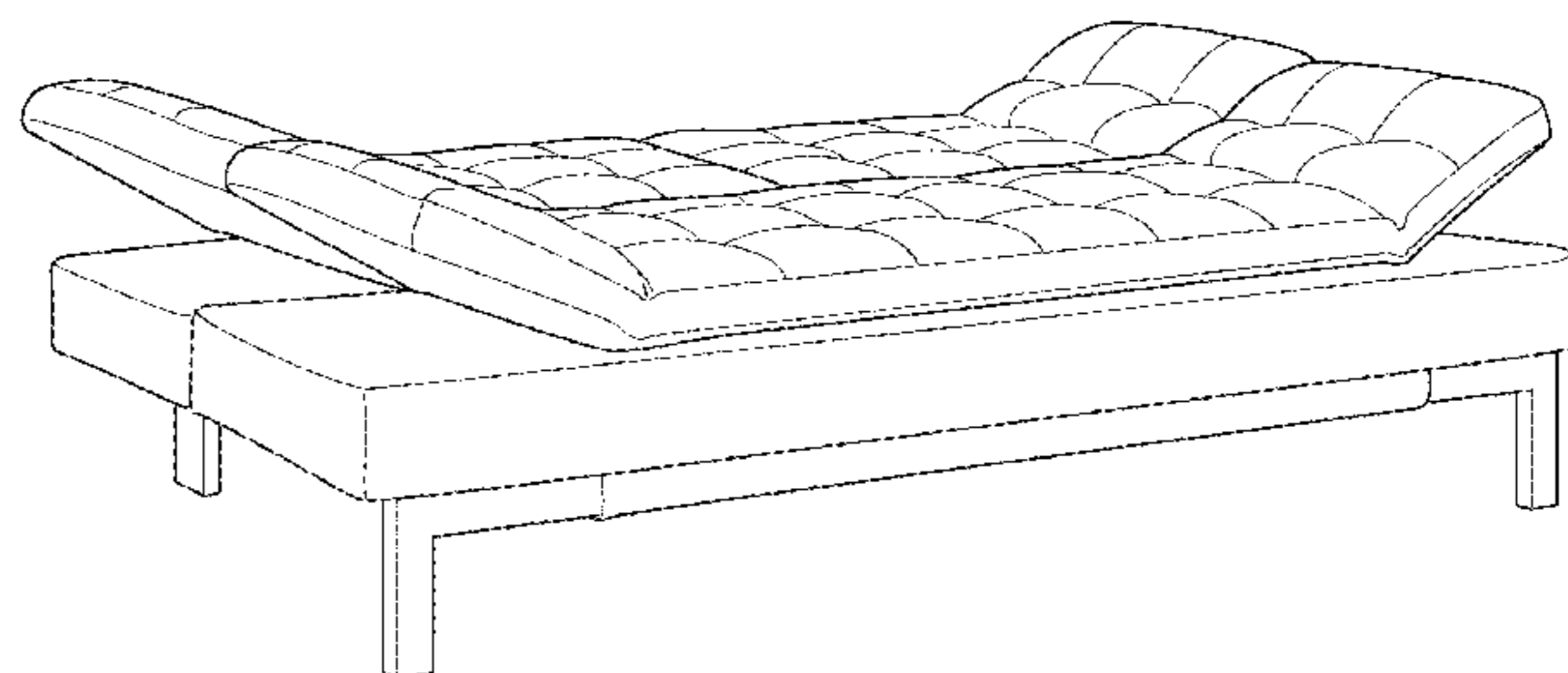
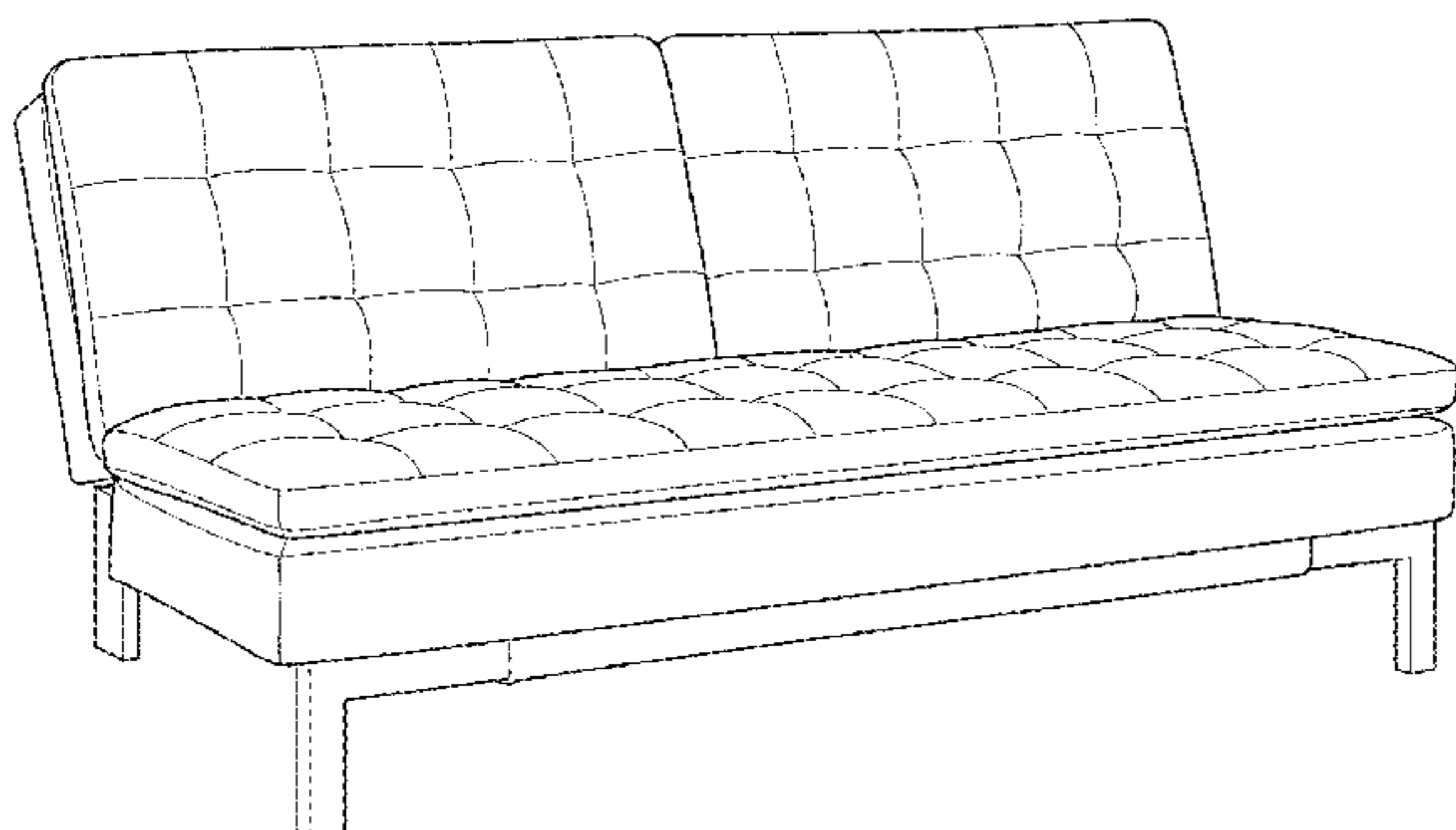
(57) **CLAIM**

The ornamental design for a winged sofa with straight legs, as shown and described.

**DESCRIPTION**

FIG. 1 is a perspective view of a winged sofa with straight legs embodying the design in a first position;  
 FIG. 2 is a perspective view of the winged sofa with straight legs in a second position;  
 FIG. 3 is a perspective view of the winged sofa with straight legs in a third position;  
 FIG. 4 is a perspective view of the winged sofa with straight legs in a fourth position;  
 FIG. 5 is a perspective view of the winged sofa with straight legs in a fifth position;  
 FIG. 6 is a perspective view of the winged sofa with straight legs in a sixth position;  
 FIG. 7 is a perspective view of the winged sofa with straight legs in a seventh position;  
 FIG. 8 is a front view of the winged sofa with straight legs in first position;  
 FIG. 9 is a right side view of the winged sofa with straight legs in first position;  
 FIG. 10 is a left side view of the winged sofa with straight legs in first position;  
 FIG. 11 is a top view of the winged sofa with straight legs in first position;  
 FIG. 12 is a bottom view of the winged sofa with straight legs in first position; and,  
 FIG. 13 is a back view of the winged sofa with straight legs in first position.

**1 Claim, 13 Drawing Sheets**



(56)

**References Cited**

## U.S. PATENT DOCUMENTS

D615,315	S	*	5/2010	Andersen	.....	D6/367
D635,791	S	*	4/2011	Kanhasamy	.....	D6/381
D635,793	S	*	4/2011	Kanhasamy	.....	D6/381
D635,794	S	*	4/2011	Kanhasamy	.....	D6/381
D643,226	S	*	8/2011	Kanhasamy	.....	D6/381
RE43,754	E	*	10/2012	Andersen	.....	D6/381
D675,460	S	*	2/2013	Kanhasamy	.....	D6/381
D676,680	S	*	2/2013	Arko	.....	D6/334
D677,070	S	*	3/2013	Kanhasamy	.....	D6/381
D677,071	S	*	3/2013	Kanhasamy	.....	D6/381
D677,490	S	*	3/2013	Manzoni	.....	D6/381
D686,003	S	*	7/2013	Arko	.....	D6/334
D686,012	S	*	7/2013	Korb	.....	D6/708
D693,163	S	*	11/2013	Kapka	.....	D6/709
D702,953	S	*	4/2014	Beucler	.....	D6/334
D718,552	S	*	12/2014	Kanhasamy	.....	D6/381
D719,755	S	*	12/2014	Kanhasamy	.....	D6/381
D721,242	S	*	1/2015	Sonmez	.....	D6/381
D731,198	S	*	6/2015	Podsiadlo	.....	D6/381
D785,359	S	*	5/2017	Massaud	.....	D6/381
D799,221	S	*	10/2017	Pathiratne	.....	D6/335
D799,222	S	*	10/2017	Pathiratne	.....	D6/335
D804,834	S	*	12/2017	Kanhasamy	.....	D6/335
D810,451	S	*	2/2018	Liu	.....	D6/335

\* cited by examiner

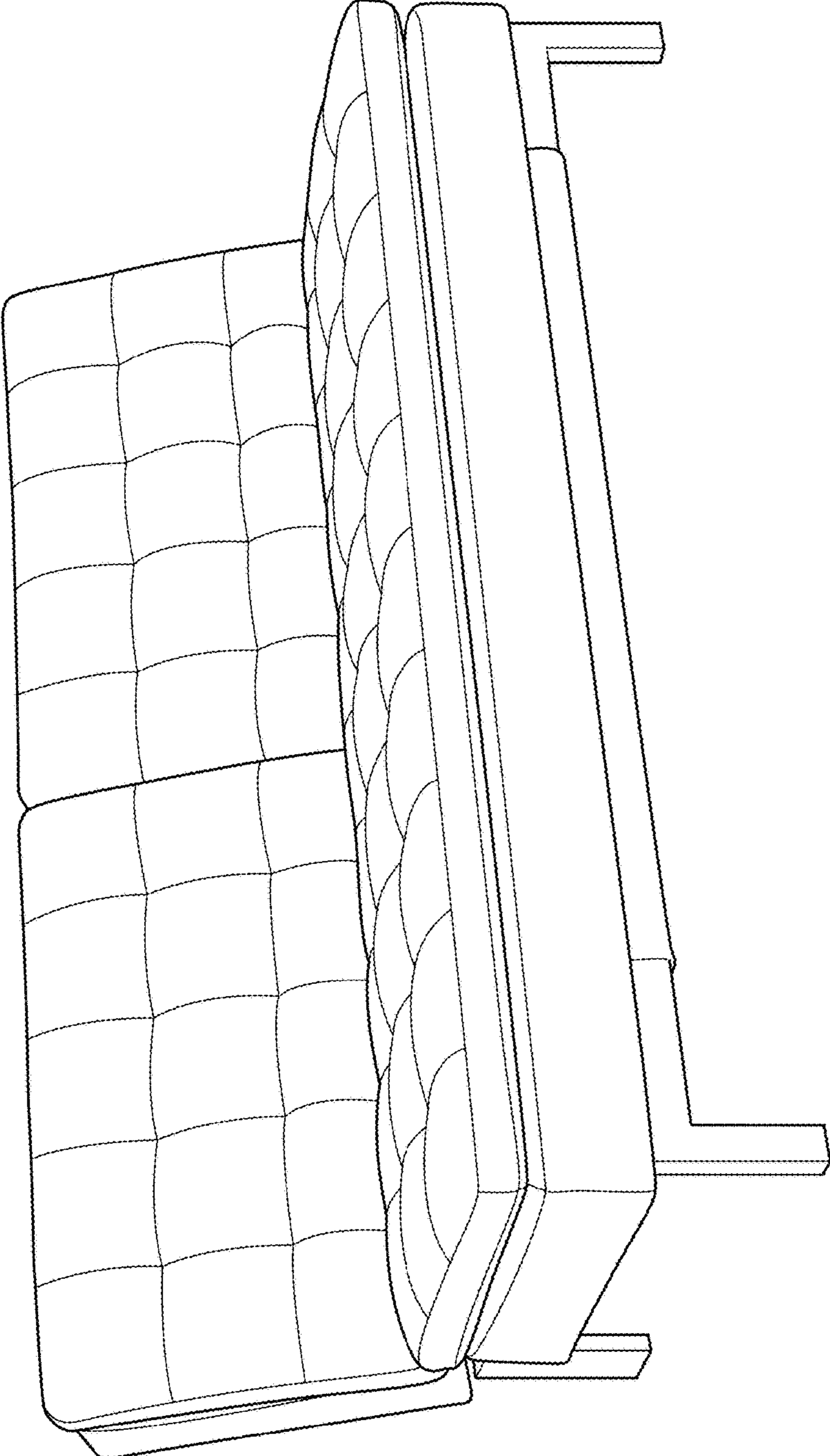


FIGURE 1

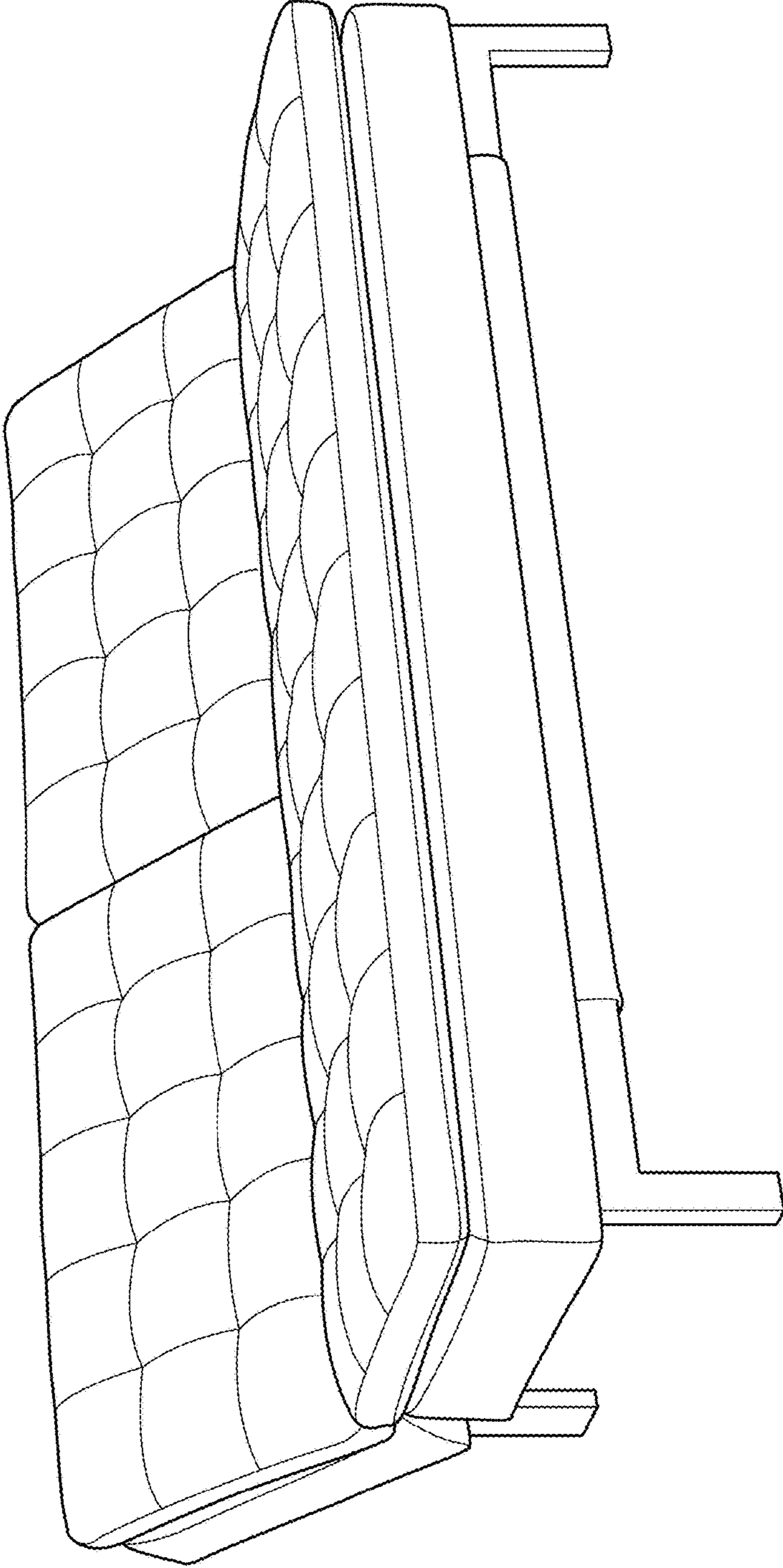


FIGURE 2

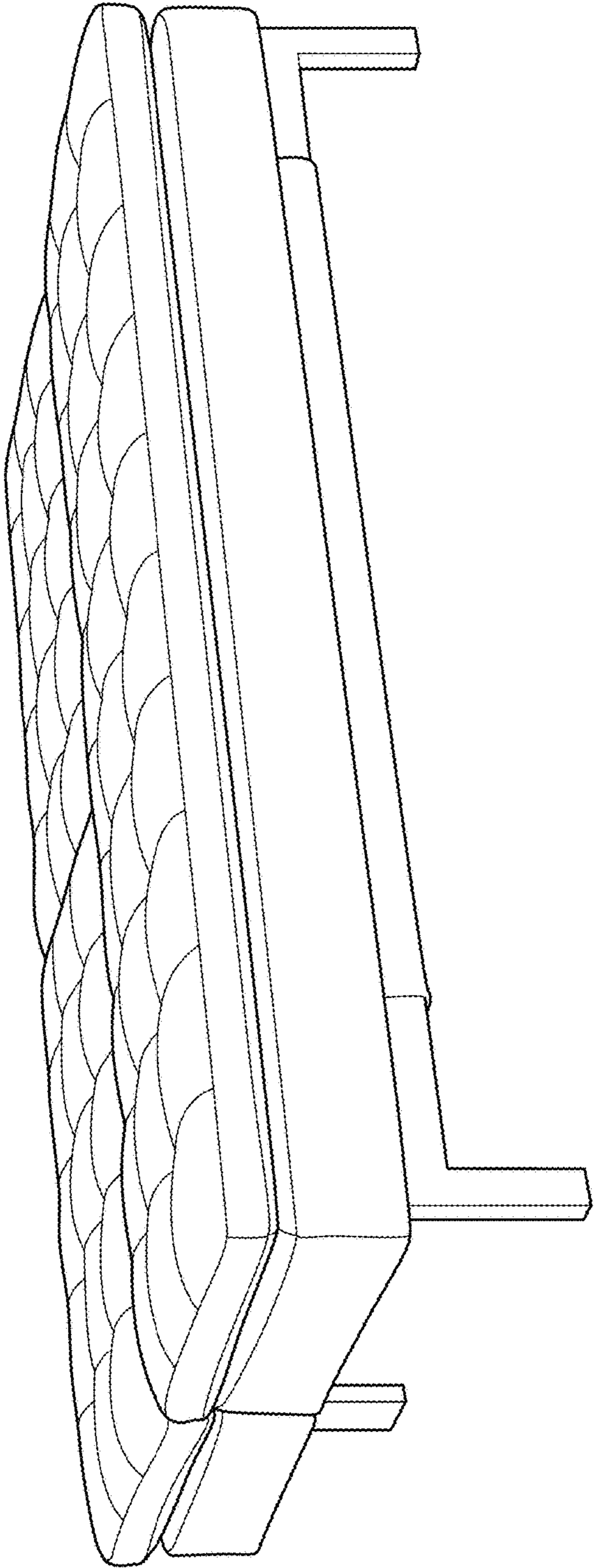


FIGURE 3

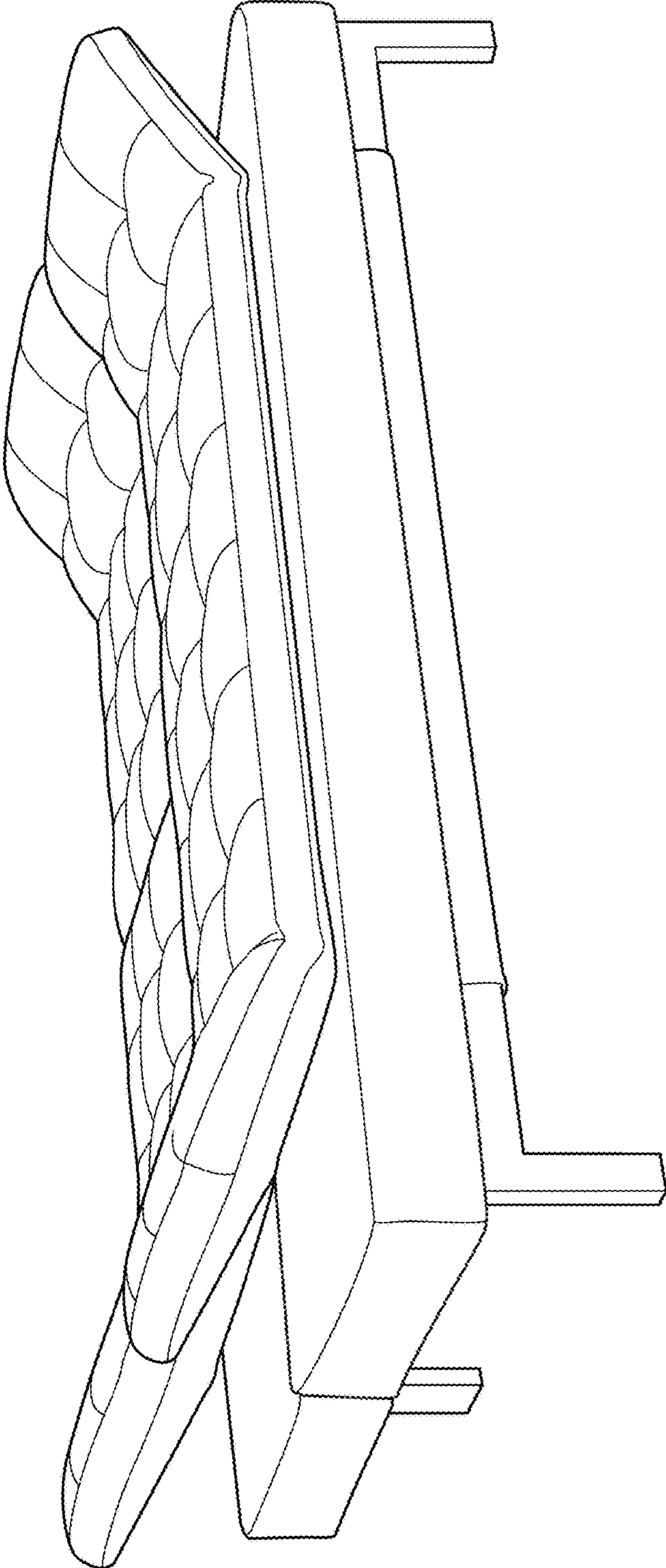


FIGURE 4

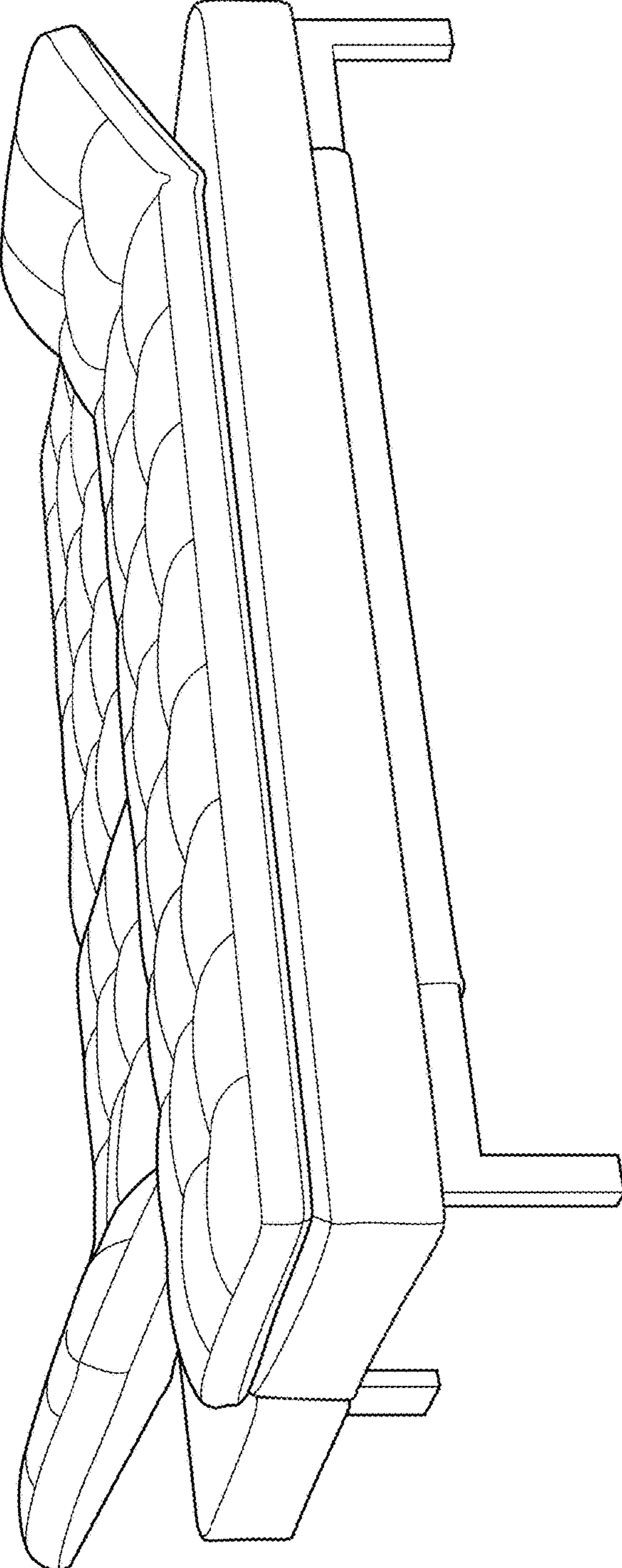


FIGURE 5

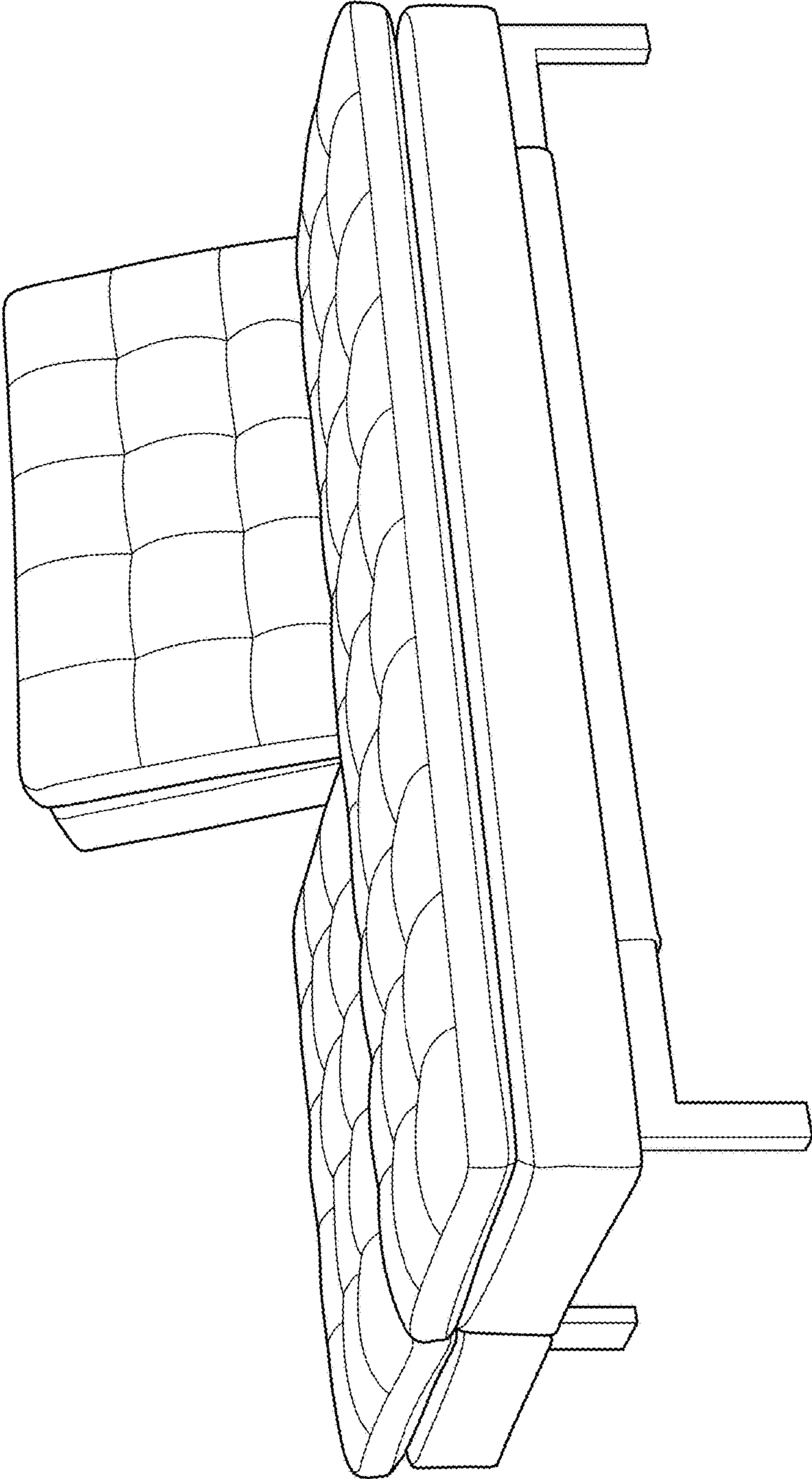


FIGURE 6



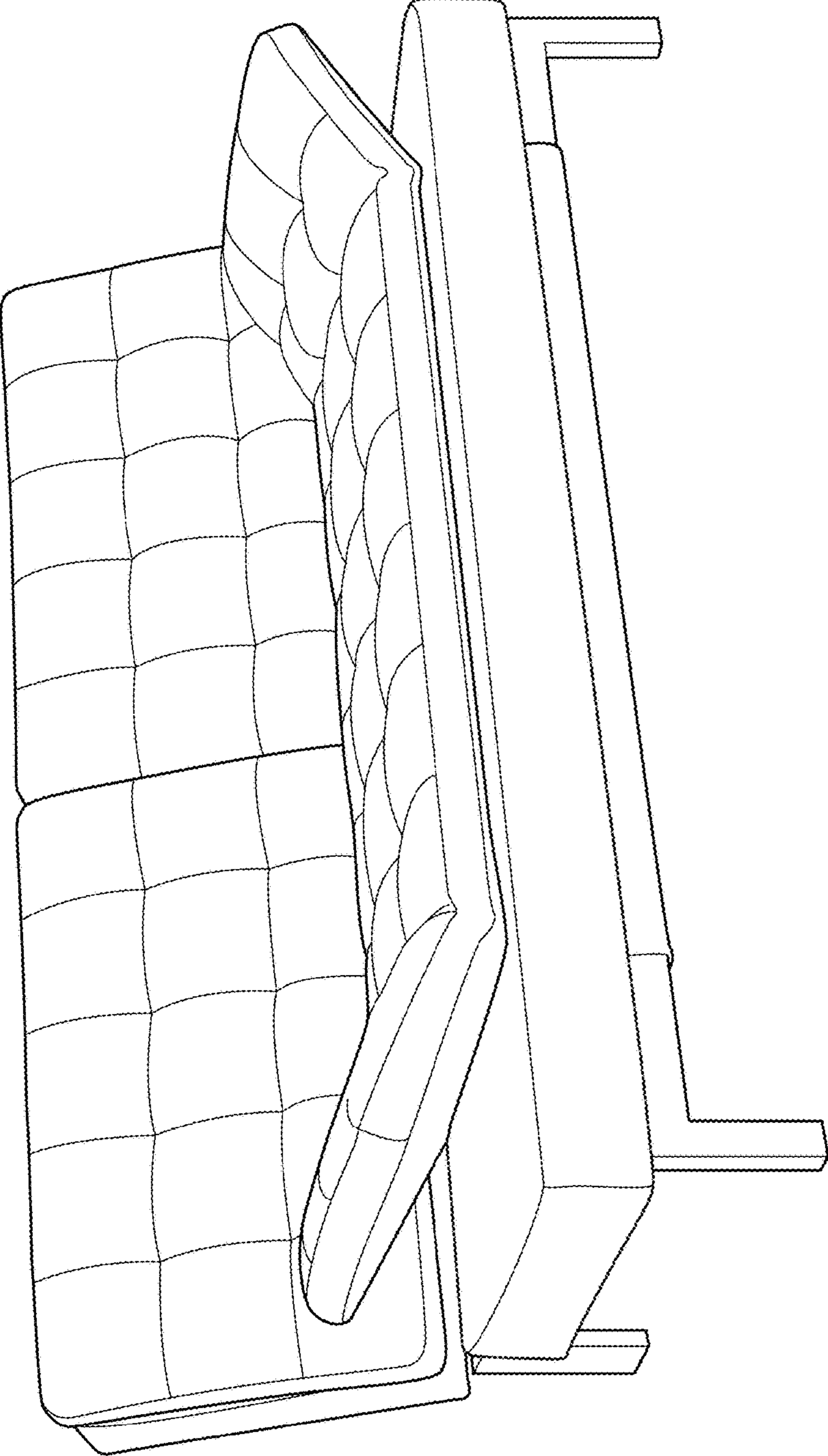


FIGURE 7

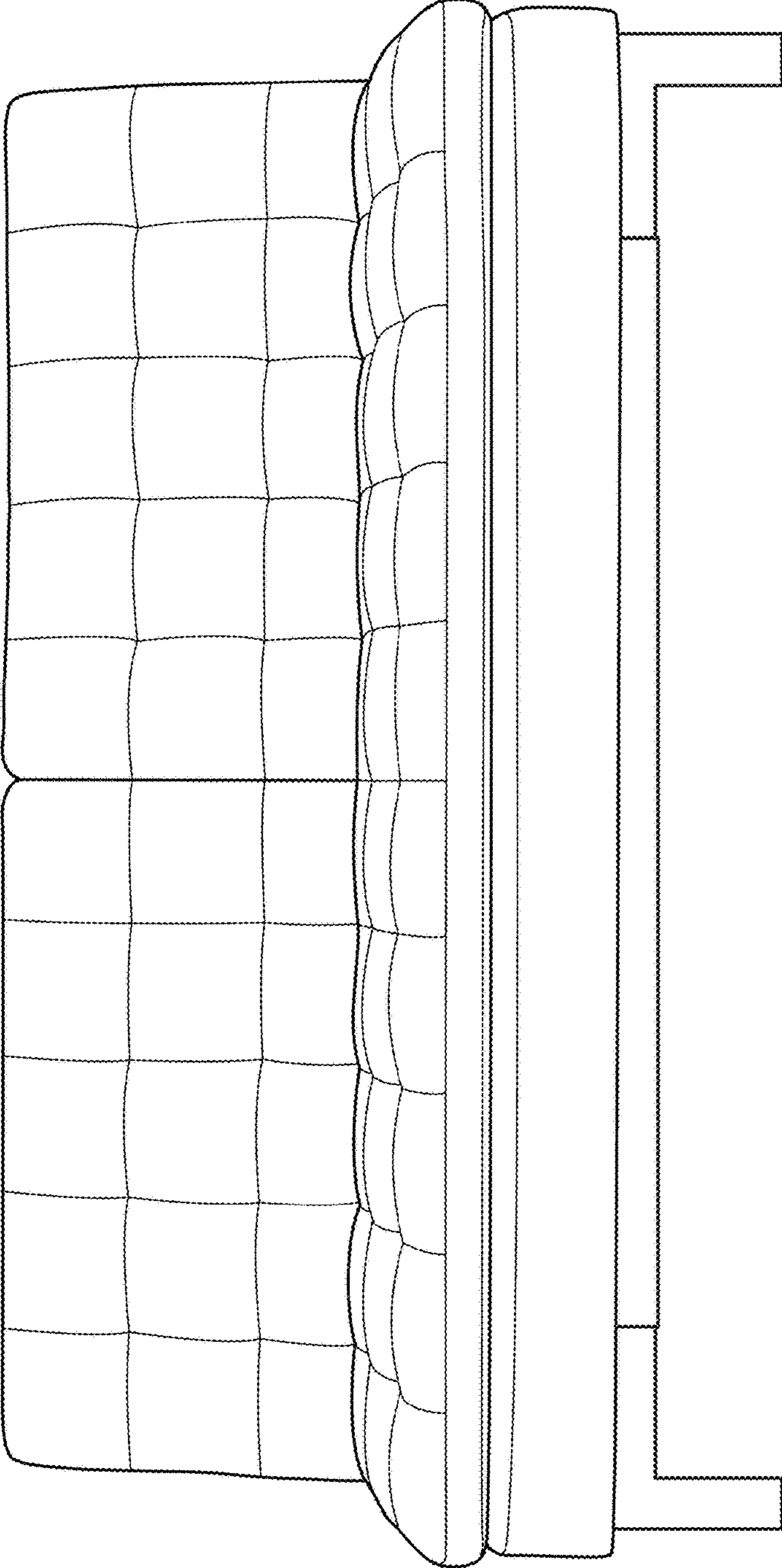


FIGURE 8

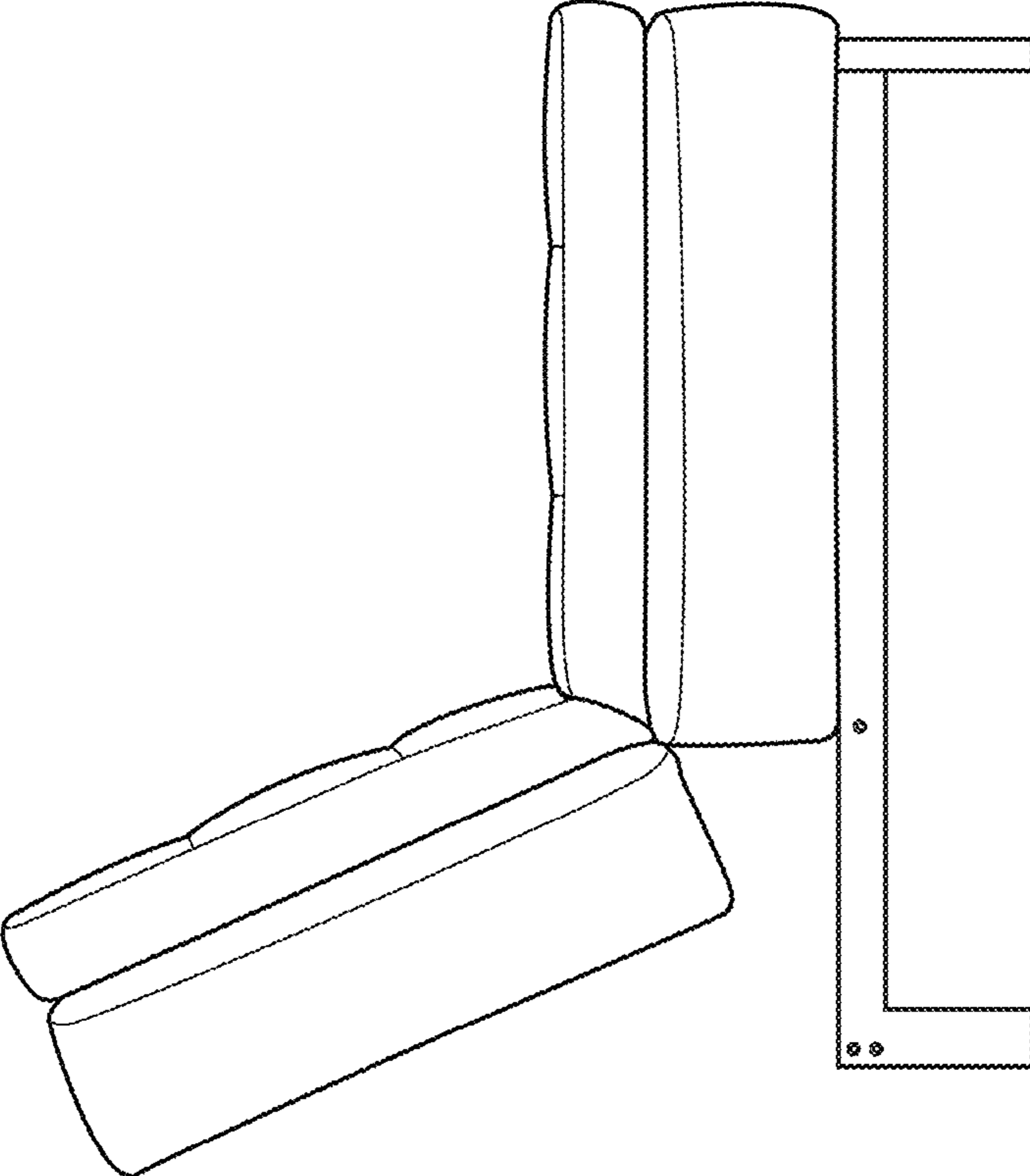


FIGURE 9

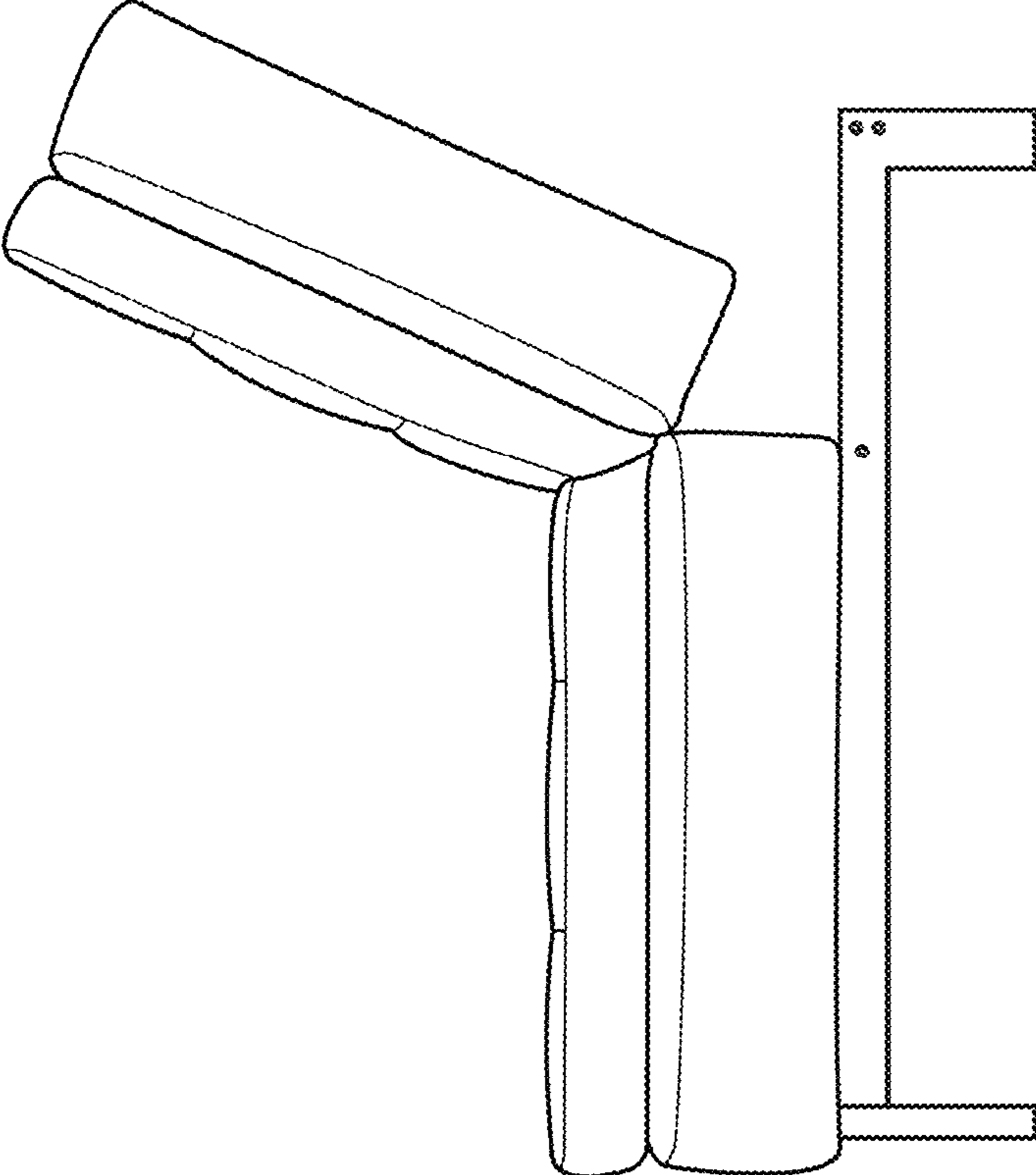


FIGURE 10

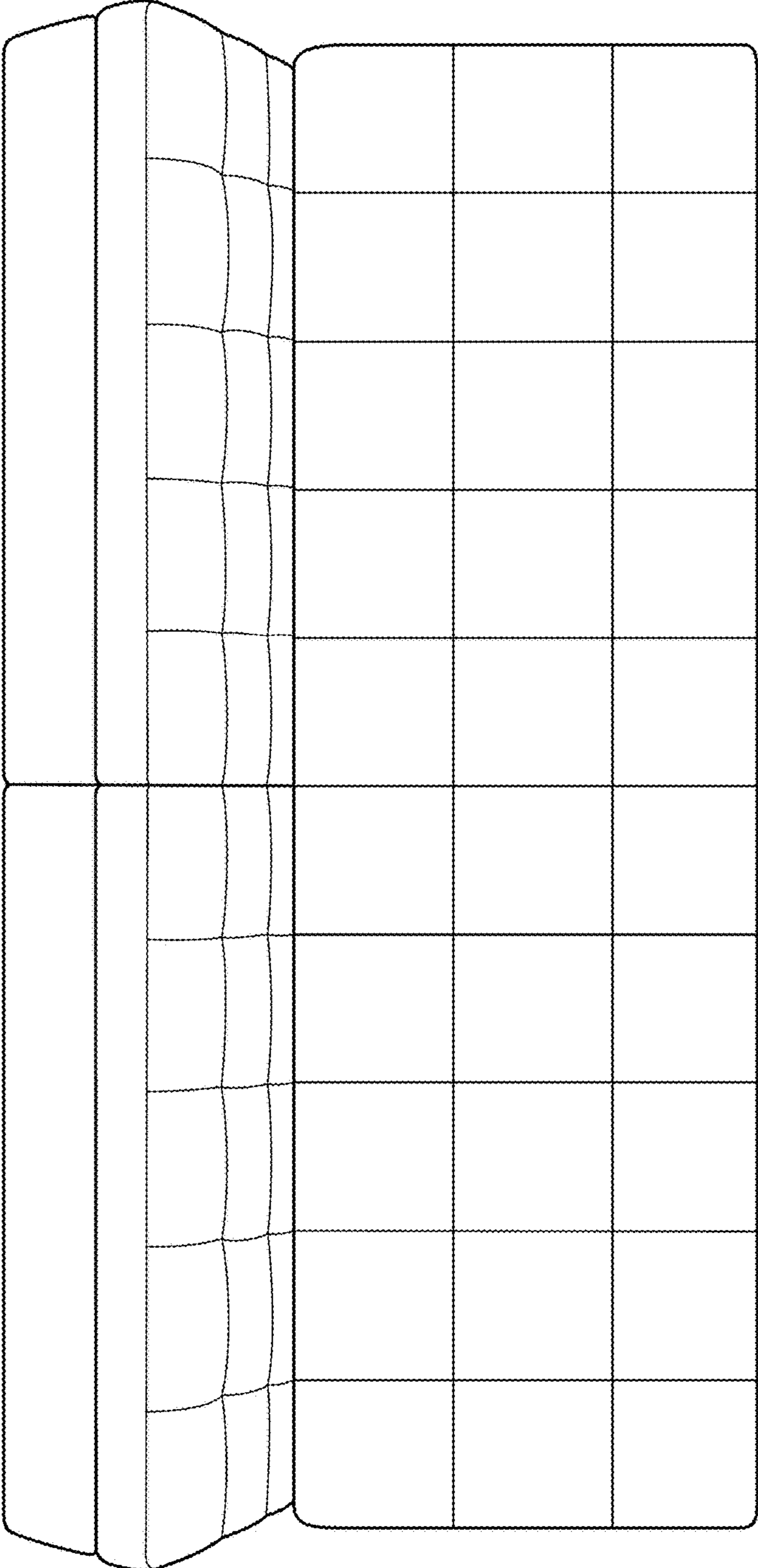


FIGURE 11

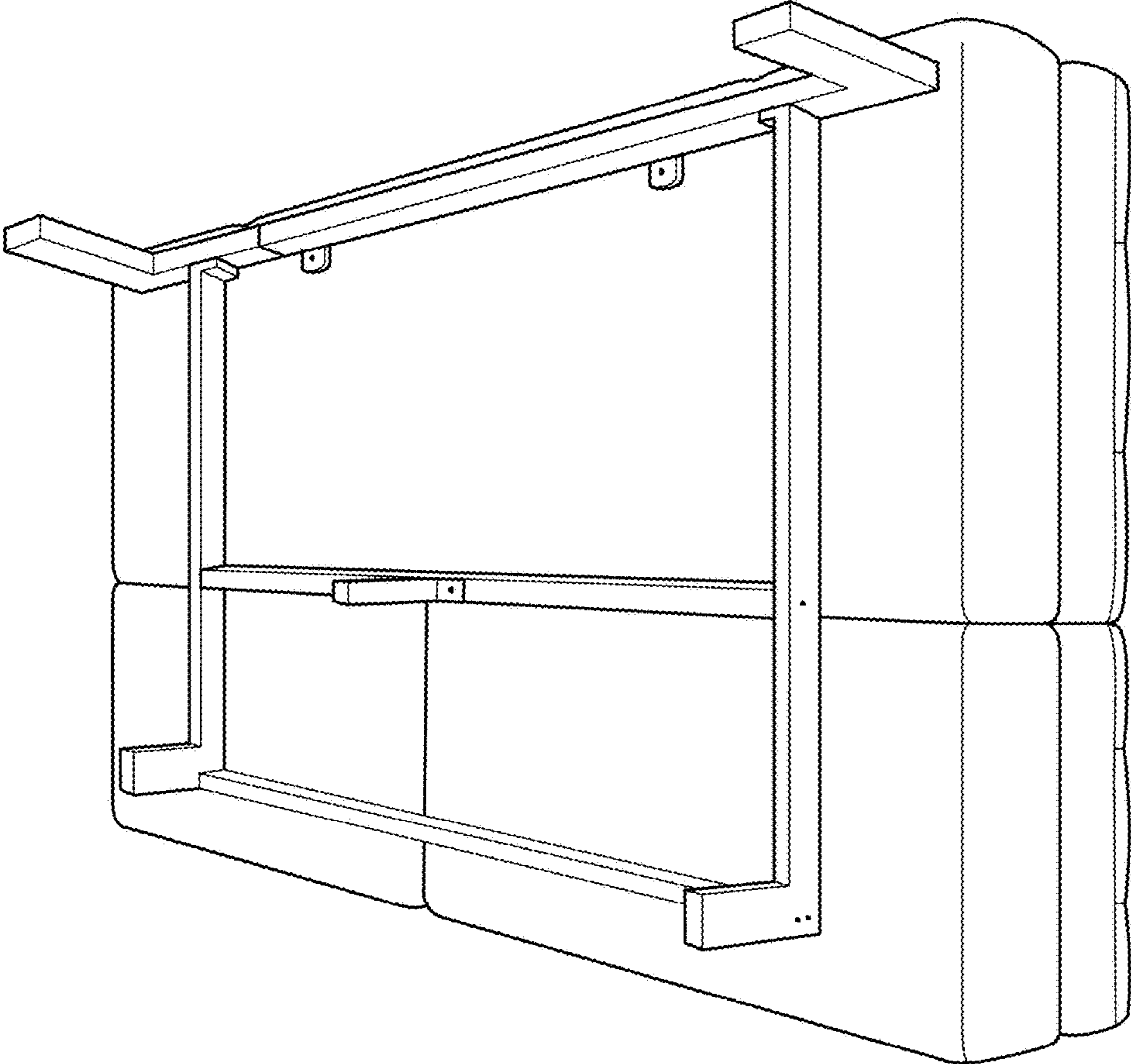


FIGURE 12

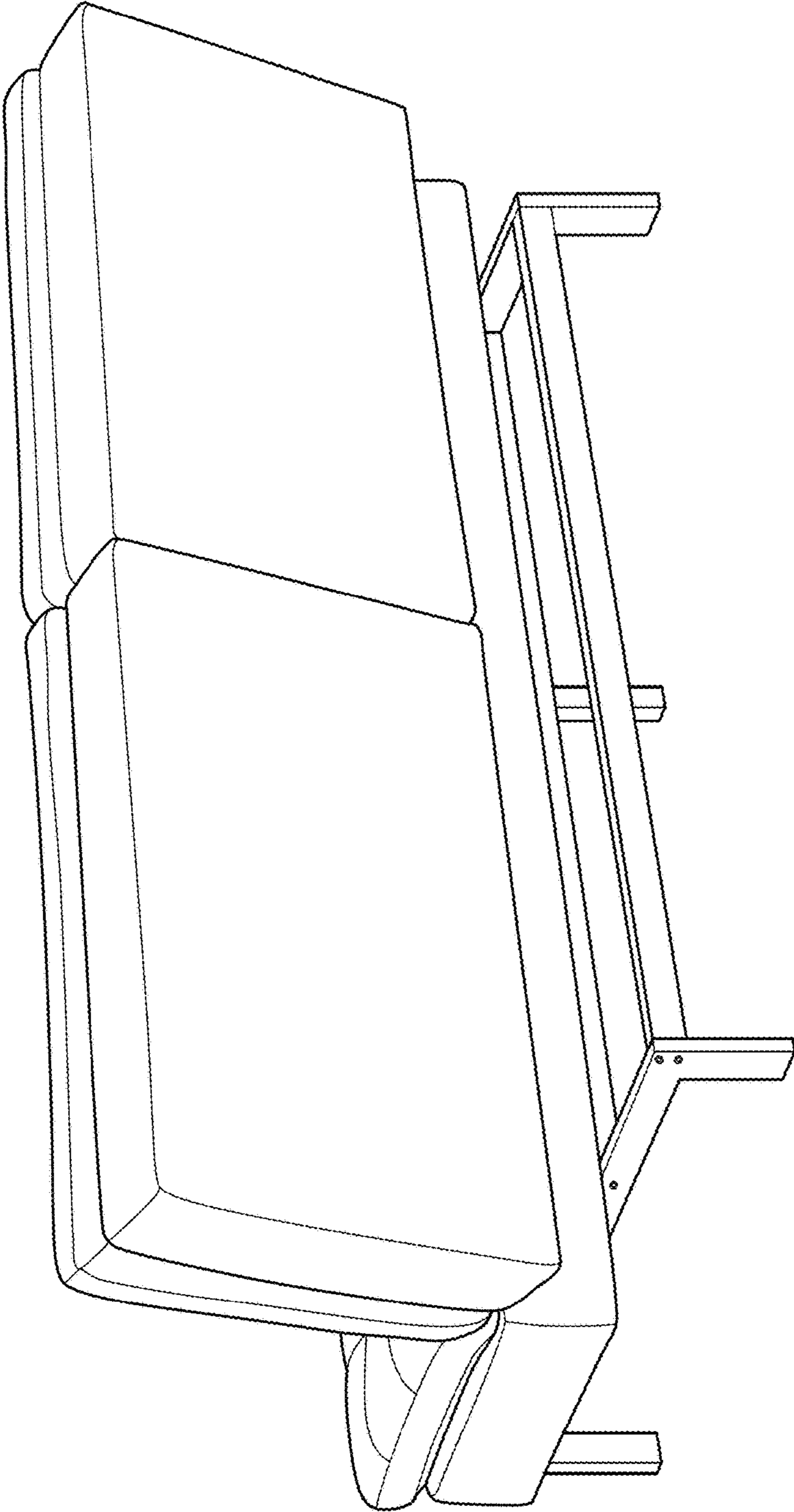


FIGURE 13