



US00D836924S

(12) **United States Design Patent**
Tse

(10) **Patent No.:** **US D836,924 S**
(45) **Date of Patent:** **** Jan. 1, 2019**

(54) **HANGER**

(71) Applicant: **MAINETTI (HK) LIMITED,**
Kowloon (HK)

(72) Inventor: **Bowie Tse,** Kowloon (HK)

(73) Assignee: **MAINETTI (HK) LIMITED,**
Kowloon (HK)

(**) Term: **15 Years**

(21) Appl. No.: **29/622,286**

(22) Filed: **Oct. 16, 2017**

(30) **Foreign Application Priority Data**

Sep. 24, 2017 (HK) 1701886.8

(51) **LOC (11) Cl.** **06-08**

(52) **U.S. Cl.**
USPC **D6/326; D6/318**

(58) **Field of Classification Search**
USPC D6/315-328, 672; 223/85-98; 211/10,
211/13.1, 85.2, 86.01, 87.01, 113
CPC A47G 25/14; A47G 25/28; A47G 25/26;
A47G 25/30; A47G 25/36; A47G 25/50;
A47G 25/442; A47G 25/483; A47G
25/743; A47G 25/4023; A47F 5/0006
See application file for complete search history.

(56) **References Cited**

U.S. PATENT DOCUMENTS

1,758,807 A * 5/1930 Serposs A47G 25/28
223/88
2,496,561 A * 2/1950 Saunders A47G 25/443
223/94
D202,484 S * 10/1965 Helms, Jr. 223/94
D213,149 S * 1/1969 Schier 223/92

D214,968 S * 8/1969 Field D6/315
3,587,949 A * 6/1971 Reller et al. A47G 25/40
223/93
4,717,053 A * 1/1988 Wang A47G 25/4053
211/118
D296,845 S * 7/1988 Kawalek D6/317
D309,834 S * 8/1990 Passini D6/318
D320,313 S * 10/1991 Gatling D6/315
D320,314 S * 10/1991 Evenson D6/318
D501,092 S * 1/2005 Mainetti D6/318
D504,239 S * 4/2005 Gosselin D6/326
7,036,696 B2 * 5/2006 Lam A47G 25/4023
223/94
7,249,699 B2 * 7/2007 Hill A47G 25/4023
223/85
7,828,179 B2 * 11/2010 Sprovieri A47G 25/4023
223/85
D628,817 S * 12/2010 Song D6/326
9,782,031 B2 * 10/2017 Debus A47G 25/28

(Continued)

Primary Examiner — Lauren R Calve

(74) *Attorney, Agent, or Firm* — Rabin & Berdo, P.C.

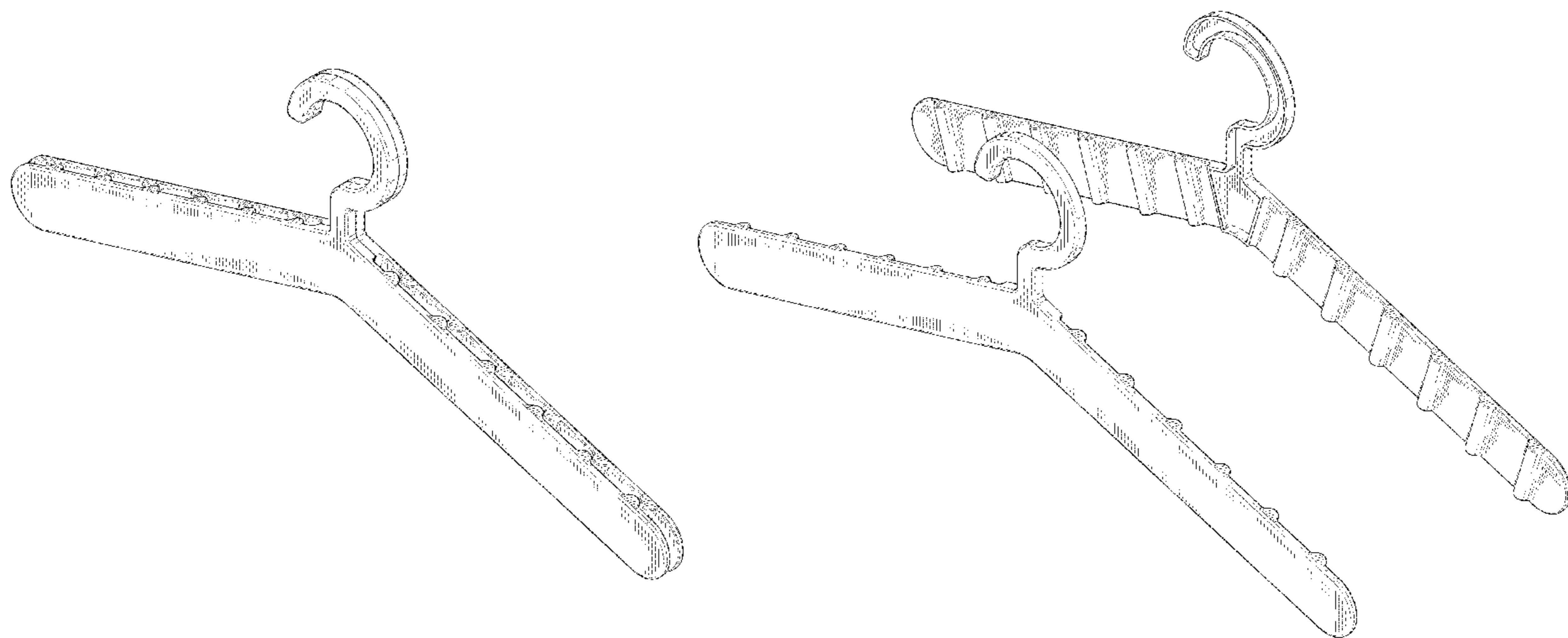
(57) **CLAIM**

The ornamental design for a hanger, as shown.

DESCRIPTION

FIG. 1 is a front view of a hanger showing my new design;
FIG. 2 is a rear view thereof;
FIG. 3 is a left side view thereof;
FIG. 4 is a right side view thereof;
FIG. 5 is a top plan view thereof;
FIG. 6 is a bottom plan view thereof;
FIG. 7 is a perspective view thereof;
FIG. 8 is an exploded perspective view thereof;
FIG. 9 is a front view of one side of the hanger of FIG. 1,
the opposite side removed for clarity of illustration; and,
FIG. 10 is a front view of the other side of the hanger of FIG.
1, the opposite side removed for clarity of illustration.

1 Claim, 8 Drawing Sheets



(56)

References Cited

U.S. PATENT DOCUMENTS

2004/0112929 A1* 6/2004 Frassinelli A47G 25/32
223/85
2005/0092787 A1* 5/2005 Stokes A47G 25/442
223/94
2011/0259926 A1* 10/2011 Hernandez A47G 25/4023
223/85
2018/0035835 A1* 2/2018 Forutanpour A47G 25/4023

* cited by examiner

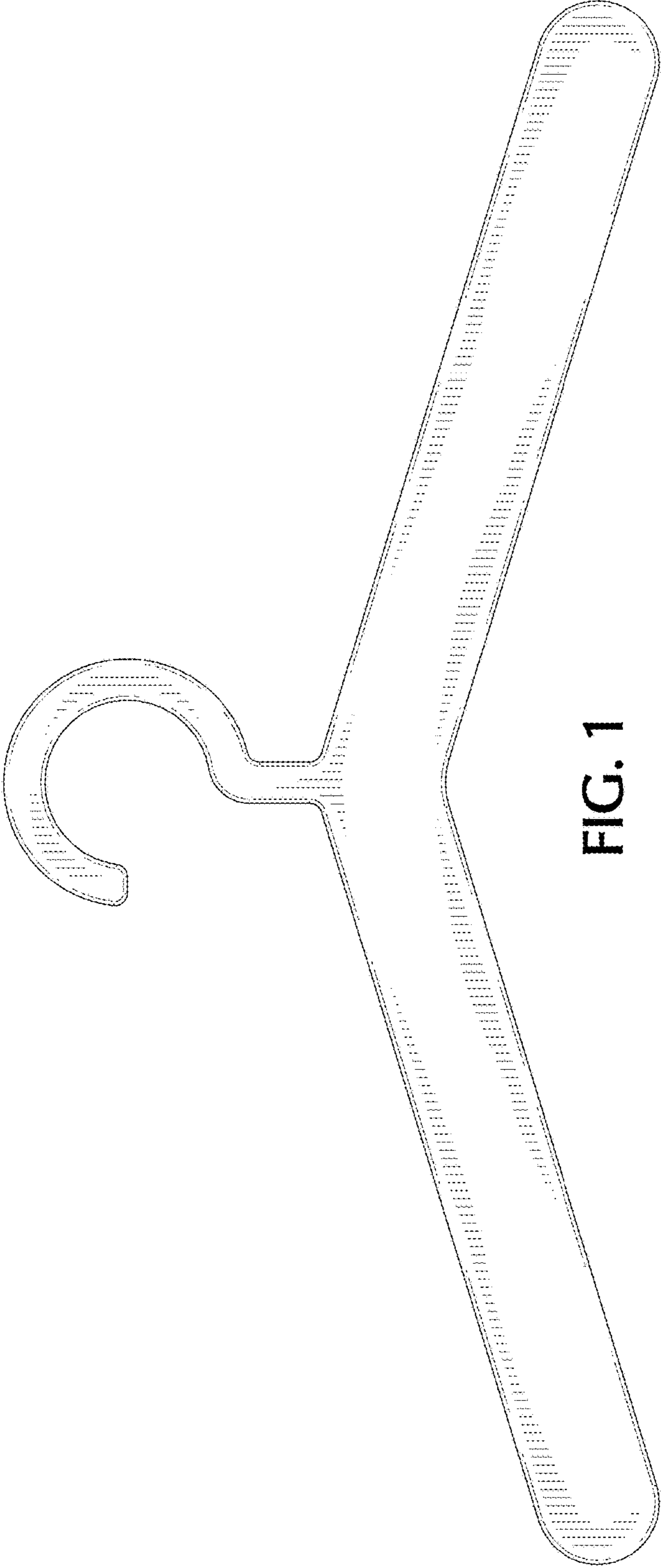


FIG. 1

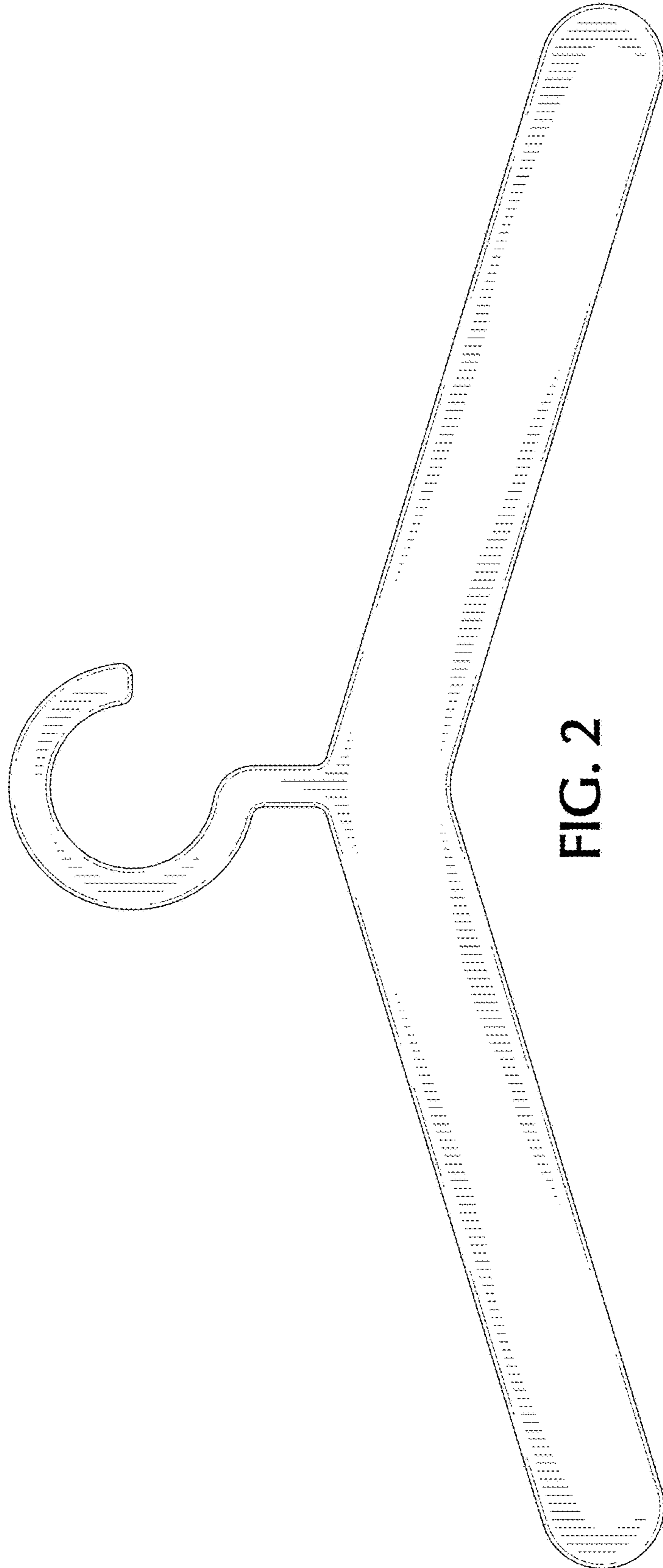


FIG. 2



FIG. 4



FIG. 3

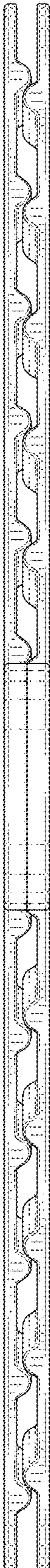


FIG. 5



FIG. 6

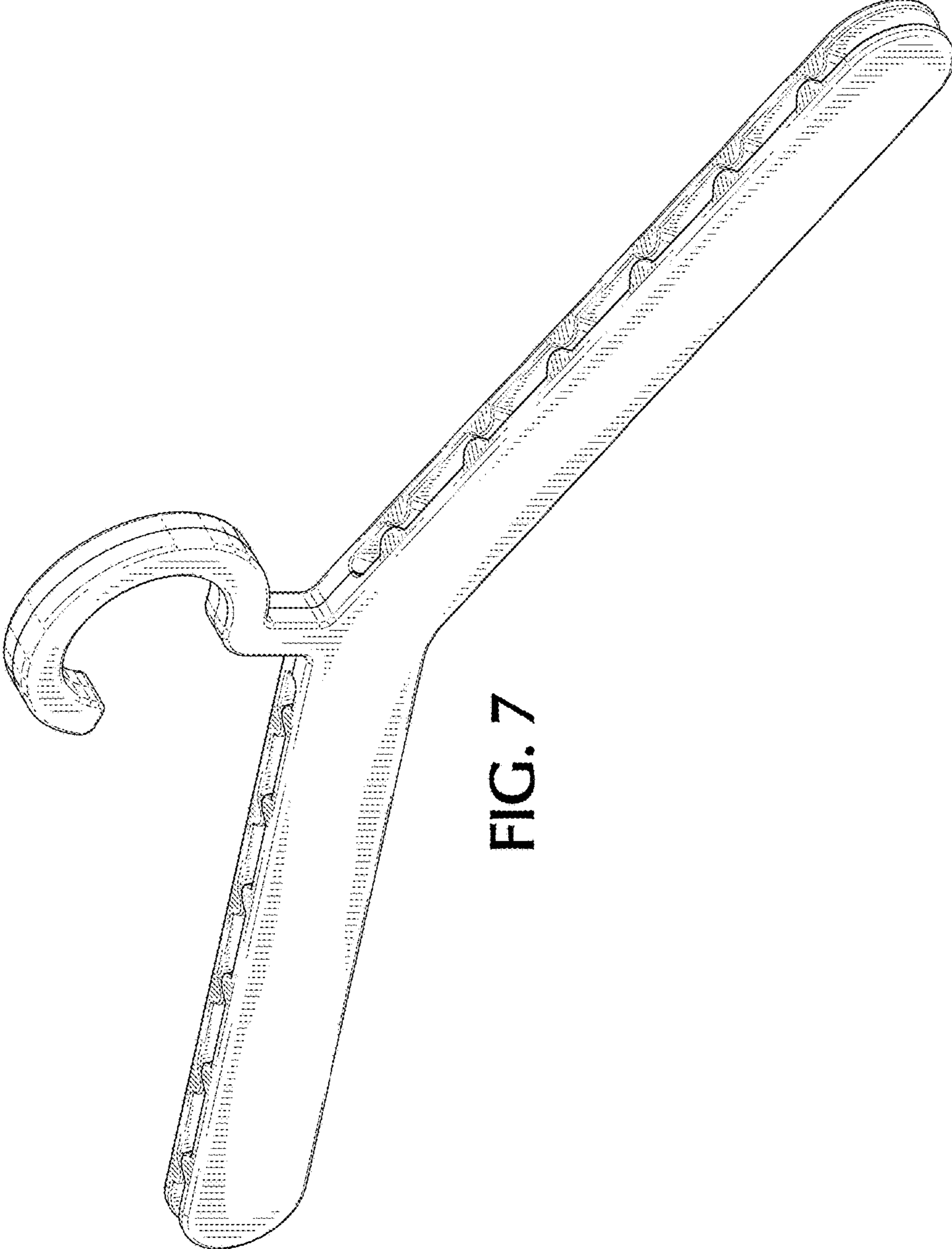


FIG. 7

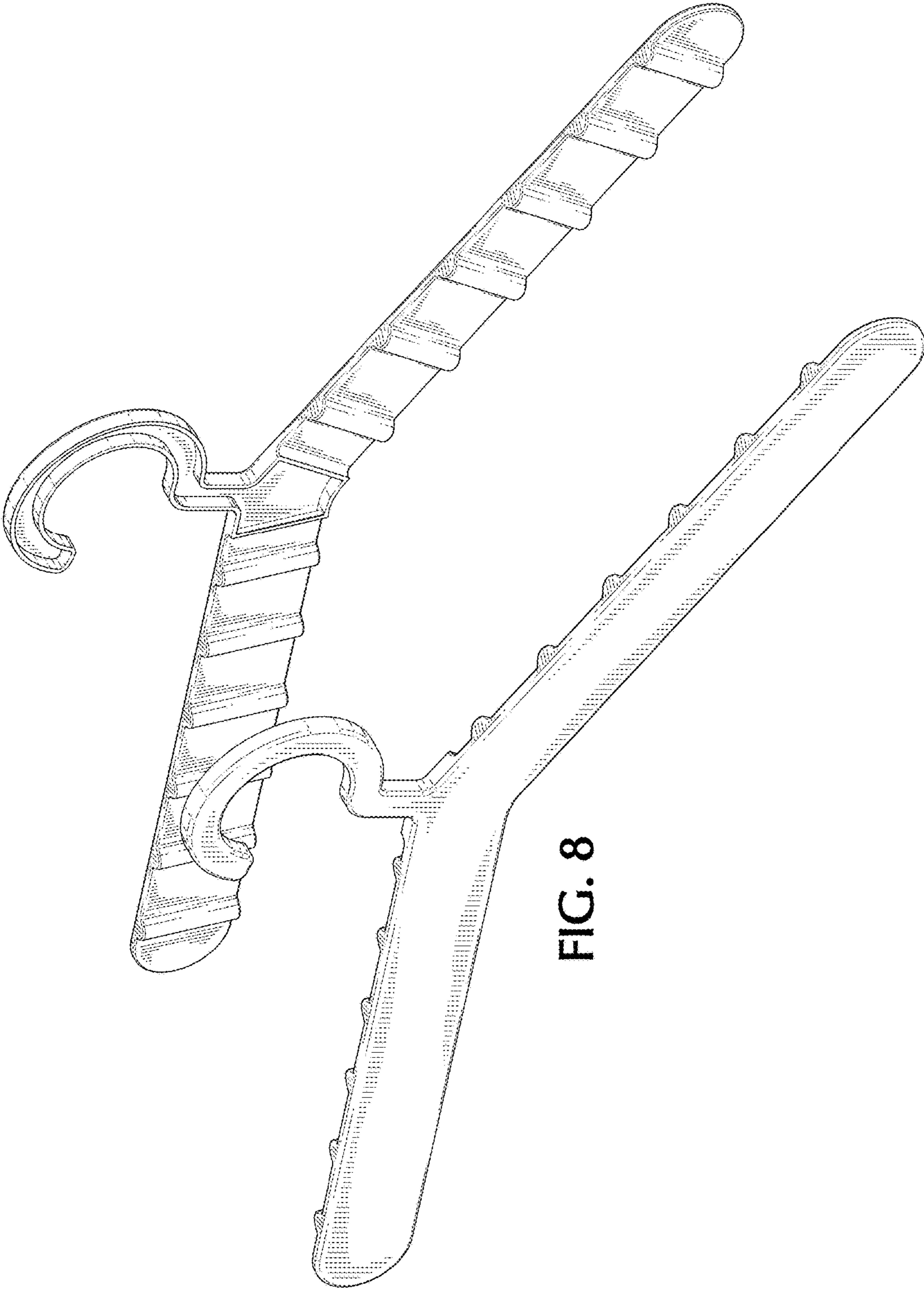


FIG. 8

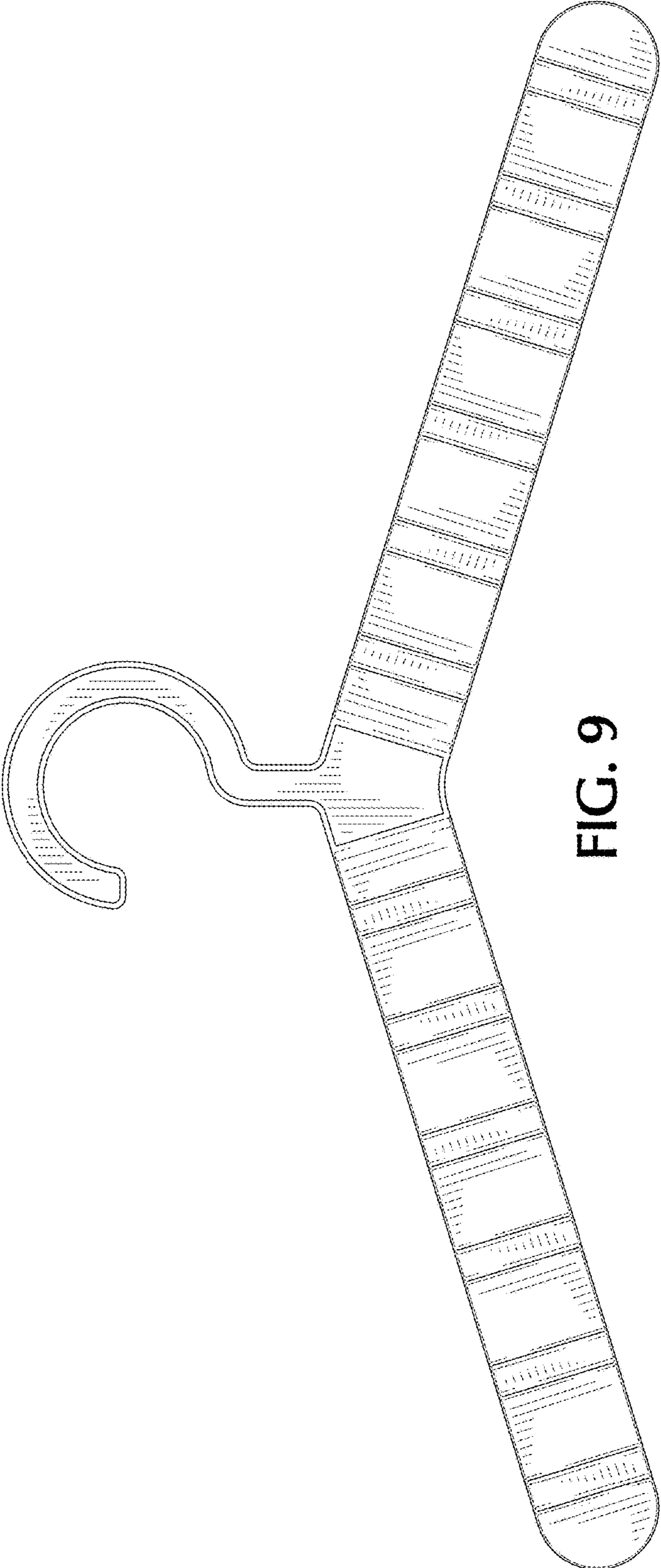


FIG. 9

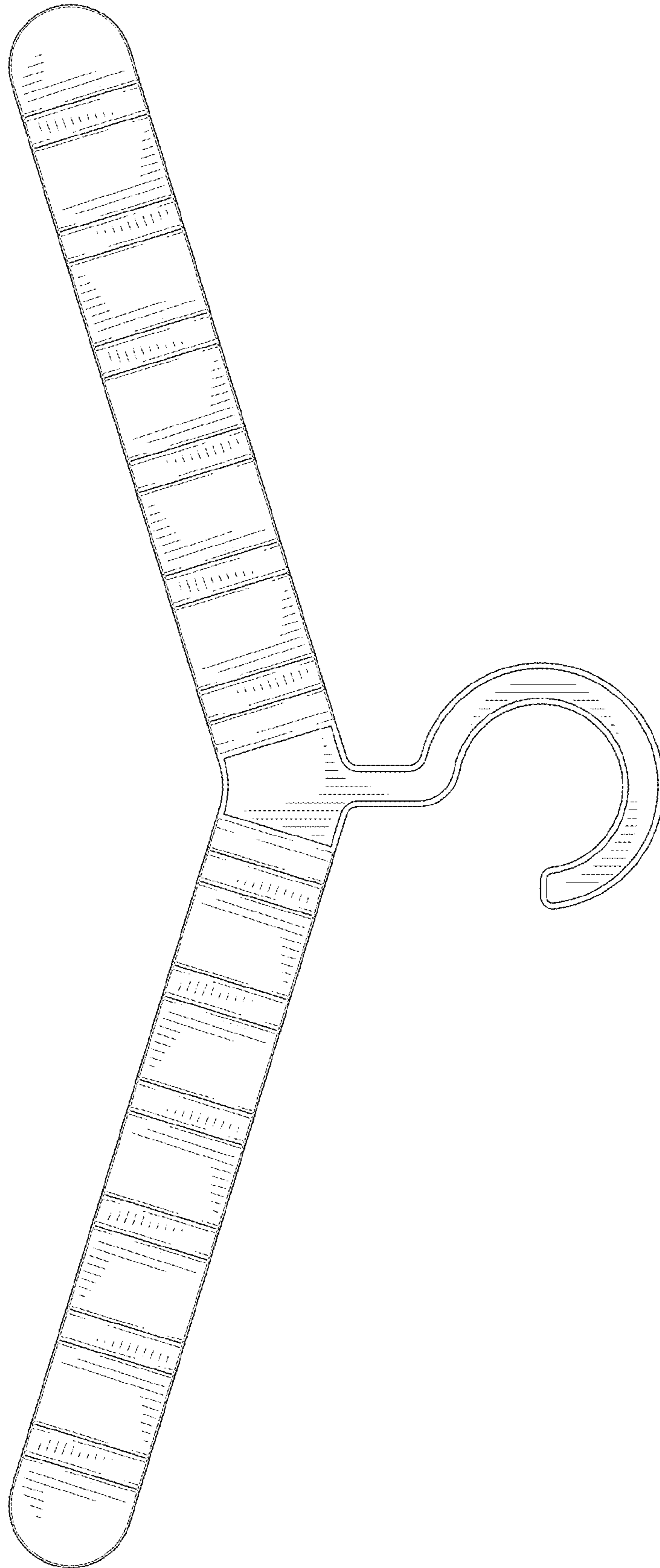


FIG. 10