



US00D836920S

(12) **United States Design Patent**
Richards

(10) **Patent No.:** **US D836,920 S**
(45) **Date of Patent:** **** Jan. 1, 2019**

(54) **COSMETIC BRUSH HANDLE**
(71) Applicant: **e.l.f. Cosmetics, Inc.**, Oakland, CA
(US)

D450,889 S 11/2001 Chang
D450,930 S 11/2001 Mink et al.
D454,001 S 3/2002 Mink et al.
(Continued)

(72) Inventor: **Achelle Richards**, Brooklyn, NY (US)

FOREIGN PATENT DOCUMENTS

(73) Assignee: **e.l.f. Cosmetics, Inc.**, Oakland, CA
(US)

CN 302920546 8/2014
CN 303110425 S 2/2015
(Continued)

(**) Term: **15 Years**

OTHER PUBLICATIONS

(21) Appl. No.: **29/612,333**

(22) Filed: **Jul. 31, 2017**

E.L.F. Brochas para Pintar??? Beautifully Precise Brush Collection [on-line]. Published Oct. 26, 2016; retrieved from the Internet Aug. 19, 2018. URL: <<https://www.bing.com/videos/search?q=elf+beautifully+precise+brushes&&view=detail&mid=6AB5975A9DECC74D6AC56AB5975A9DECC74D6AC5&&FORM=VRDGAR>>. (1 page) (Year: 2016).*

(Continued)

Related U.S. Application Data

(63) Continuation of application No. 15/400,236, filed on Jan. 6, 2017.

(51) **LOC (11) Cl.** **04-02**

(52) **U.S. Cl.**
USPC **D4/138**

(58) **Field of Classification Search**
USPC D4/130, 132, 133, 134, 135, 138, 199;
D28/7

CPC A46B 5/02; A46B 7/00; A46B 7/04; A46B
9/02; A46B 9/021; A46B 2200/1046;
A46B 9/028

See application file for complete search history.

Primary Examiner — Karen E Eldridge Powers

(74) *Attorney, Agent, or Firm* — Amster, Rothstein & Ebenstein LLP

(57) **CLAIM**

The ornamental design for a cosmetic brush handle, as shown and described.

DESCRIPTION

FIG. 1 is a perspective view of an exemplary embodiment of a new design for a cosmetic brush handle;
FIG. 2 is a front elevation view thereof;
FIG. 3 is a rear elevation view thereof;
FIG. 4 is a left side elevation view thereof;
FIG. 5 is a right side elevation view thereof;
FIG. 6 is a top plan view thereof; and,
FIG. 7 is a bottom plan view thereof.

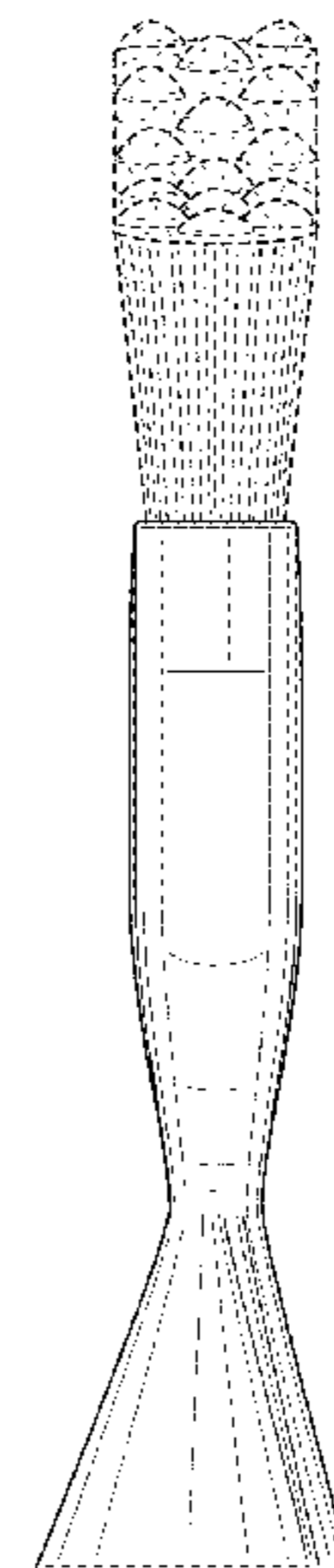
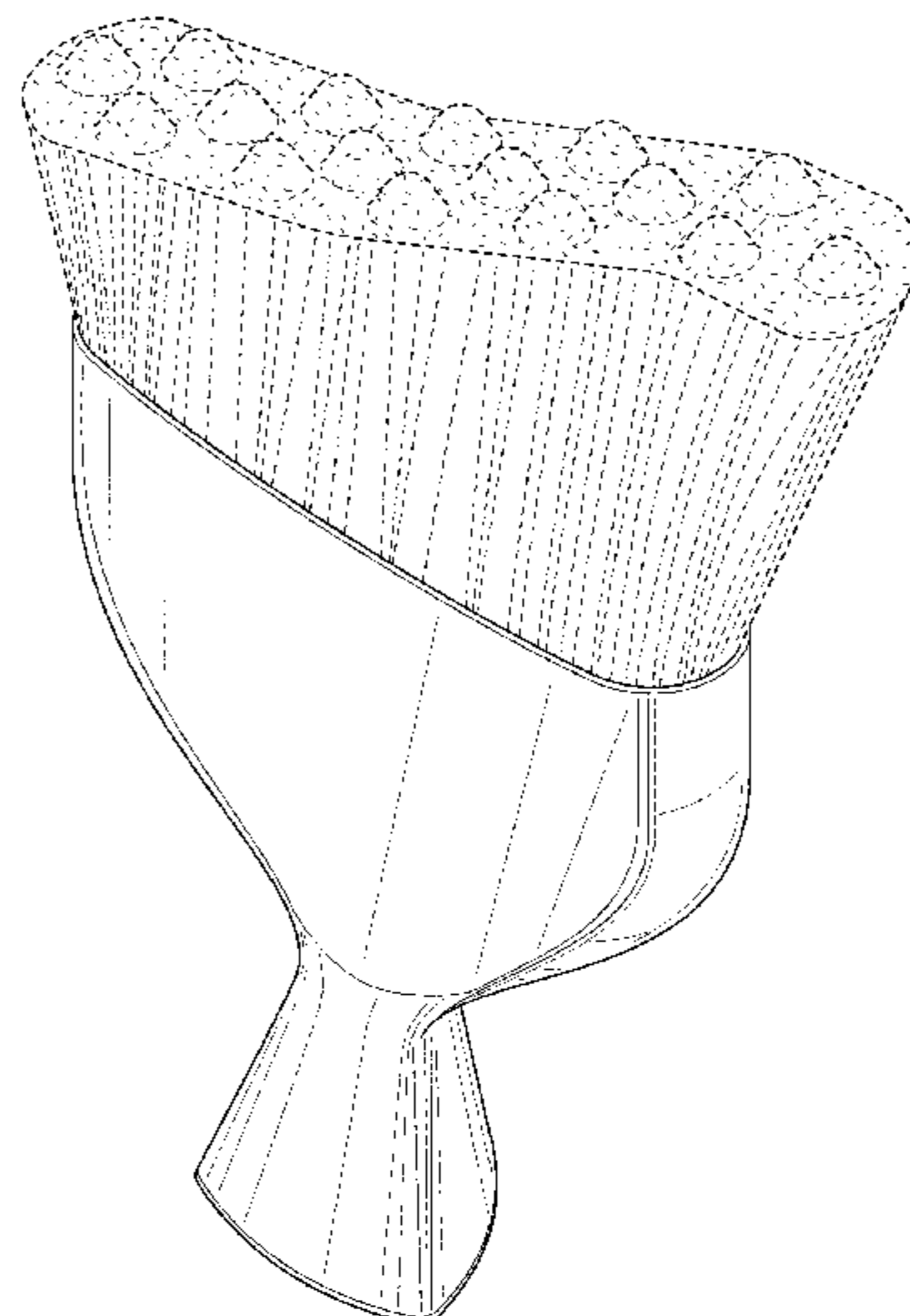
The bristle portion of the cosmetic brush shown in broken lines is to show environment only and does not form part of the claimed design.

1 Claim, 5 Drawing Sheets

(56) **References Cited**

U.S. PATENT DOCUMENTS

1,372,108 A 3/1921 Timmis
1,569,736 A 1/1926 Foppiano
D161,826 S 2/1951 Ferber
2,764,989 A 10/1956 Simmons
3,276,062 A 10/1966 Palumbo
4,076,427 A 2/1978 Anderson
4,791,695 A 12/1988 Kephart
5,926,903 A 7/1999 Kim
6,039,051 A 3/2000 Dorf



(56)

References Cited

OTHER PUBLICATIONS

U.S. PATENT DOCUMENTS

6,513,183	B2	2/2003	Dorf	
D489,403	S	5/2004	Lin	
6,779,532	B2	8/2004	Dorf	
D521,244	S	5/2006	Germany	
D528,304	S	9/2006	Langer	
D529,719	S	10/2006	Langer	
D534,001	S	12/2006	Zemel	
D558,579	S	1/2008	Blasko et al.	
D559,548	S	1/2008	Dovellos	
7,416,080	B1	8/2008	Langer	
D584,513	S	1/2009	Sherman et al.	
D628,393	S	12/2010	Burrige	
D630,437	S	1/2011	Carey	
D632,089	S *	2/2011	Limongi	D4/135
D647,964	S	11/2011	Wang et al.	
8,230,543	B2	7/2012	Shrier et al.	
D667,876	S	9/2012	Xie	
8,256,058	B2	9/2012	Telwar	
D671,168	S	11/2012	Renner et al.	
D696,816	S	12/2013	Kordulla et al.	
8,726,916	B2	5/2014	Park	
D712,481	S	9/2014	Okuku Lira-Nunez et al.	
D714,558	S	10/2014	Mink	
D718,941	S	12/2014	Matsuishi	
9,089,200	B2	7/2015	Telwar et al.	
9,167,891	B2	10/2015	Shaughness	
D749,858	S	2/2016	Snook	
D749,859	S	2/2016	Snook	
D756,127	S	5/2016	Nicoline	
D757,441	S	5/2016	Hwang	
D757,447	S	5/2016	White	
D758,742	S	6/2016	Nicoline	
D761,025	S	7/2016	Hinckley	
D762,990	S *	8/2016	Hwang	D4/138
D766,586	S *	9/2016	Hwang	D4/127
D766,587	S	9/2016	Hwang	
D767,903	S	10/2016	Lim	
D768,998	S	10/2016	Kim et al.	
D776,440	S	1/2017	Jain	
D776,939	S	1/2017	Krohmer et al.	
D776,941	S	1/2017	Nicoline	
D782,730	S	3/2017	Zhang et al.	
9,635,927	B2 *	5/2017	Godin	A46B 9/021
D788,471	S	6/2017	Richards	
D800,457	S	10/2017	Kaicker	
D817,647	S	5/2018	Nicoline	
2004/0168700	A1	9/2004	Dorf	
2004/0205916	A1	10/2004	Byun	
2007/0151061	A1	7/2007	Mink et al.	
2008/0283083	A1	11/2008	Piao	
2010/0037407	A1	2/2010	Telwar	
2013/0125921	A1	5/2013	Celia	
2014/0325779	A1	11/2014	Dansby	
2014/0331422	A1	11/2014	Lim	
2015/0265039	A1	9/2015	Godin	
2016/0262528	A1	9/2016	Kaicker	
2016/0324306	A1	11/2016	Martin et al.	
2017/0188691	A1	7/2017	Richards	

FOREIGN PATENT DOCUMENTS

CN	304060601	*	3/2017
CN	304060603	*	3/2017
CN	304485615	*	2/2018
EM	002731950-0001	*	8/2015
KR	300780017.0000	*	1/2015
KR	30-0801114		6/2015
KR	300801114.0000	*	6/2015
KR	30-0885044		12/2016
KR	300903605.0000	*	4/2017
KR	300903607.0000	*	4/2017
WO	2010004207	A2	1/2010

Achelle Richards (Dunaway) profile synopsis on LinkedIn [on-line]. Retrieved from the Internet Aug. 19, 2018. URL: <https://www.linkedin.com/in/achellerichards>. (4 pages) (Year: 2018).*

Screen shots from video entitled, “*New* e.l.f. Beautifully Precise Brushes | Review and Demo,” posted by Drugstore Maven on Oct. 18, 2016 [on-line]. Retrieved from the Internet Aug. 19, 2018. URL: <https://www.youtube.com/watch?v=FVhDQJITEWM>. (8 pages) (Year: 2016).*

Product review of Beautifully Precise Makeup Brush Collection by e.l.f. by Julianne Carell [on-line]. Published Sep. 6, 2016; retrieved from the Internet Jun. 18, 2018. U RL: <https://www.glamour.com/story/elf-cosmetics-beautifully-precise-makeup-brush-collection-review>. (16 pages) (Year: 2016).

Design U.S. Appl. No. 29/612,330, filed Jul. 31, 2017.

Design U.S. Appl. No. 29/550,653, filed Jan. 6, 2016.

Design U.S. Appl. No. 29/550,654, filed Jan. 6, 2016.

U.S. Appl. No. 62/275,316, filed Jan. 6, 2016.

“Basic Essentials Line & Acrylic Brushes.” Brushes by Karen. Brushes by Karen, Inc., Mar. 8, 2007. Web<http://brushesbykaren.com/cosmetic-brush-catalogue/14-15-acrylic-series-the-bare-essentials->.

“Kabuki Brush.” Chantecaille.com. Chantecaille Beaute, Aug. 1, 2012. Web. <https://www.chantecaille.com/kabuki-brush.html/>.

“Core Collection.” Realtechniques.com.bd. Real techniques, Mar. 25, 2011. Web. <http://www.realtechniques.com.bd/Real-Technique-Core-Collection-p/1403.htm>.

“What Are the Light Transmission Values of the acrylic Sheets Used in Lighting Application?” United States Plastic. United States Plastic Corporation, Apr. 16, 2010. Web. <http://www.unitedstatesplastic.com/knowledgebase/article.aspx?contentkey=873>.

International Search Report of the International Searching Authority relating to International Application No. PCT/US2017/012489, dated Apr. 28, 2017.

Written Opinion relating to International Application No. PCT/US2017/012489, dated Apr. 28, 2017.

“Charlotte Tilbury Magic Complexion Brush”. Bergdorf Goodman. Accessed May 11, 2017. Web. <http://www.bergdorfgoodman.com/Charlotte-Tilbury-Magic-Complexion-Brush/prod118290047/p.prod>.

“Ipcs Blush Brush Professional Angles Contour Brush Face Makeup Tool Cosmetic Brushes”. Lightinthebox.com. Assessed May 12, 2017. Web. <http://www.lightinthebox.com/professional blush brush angled contour brush face make-up tool_p2470063.html?currency=USD&litb_from=paid_adwords_shop >.

“High Quality anti-allergic angled Blush Brush Pro Angled brush. Blush biseaute 49”. Ebay. Accessed May 12, 2017. Web. <https://www.ebay.com/p?iid=17258227720&lpid=82&&&ul_noapp=true&chn=ps>.

“PRO Precision Blush Brush #73”. Sephora Collection. Accessed May 12, 2017. Web. <http://www.sephora.com/pro-precision-bREPlush-brush-73-P313018>.

2 screenshots of “Espoir Pro Tailor Liquid Foundation Korean Brush,” from video posted at https://www.youtube.com/watch?v=Lok45s8sIAU on Aug. 11, 2014.

“Espea Professional Tailored Fit Face Brush”. Pro Tool. Accessed May 17, 2017. Web. <http://www.espoir.com/products/sephora-collection-pro-contour-kabuki-n-degrees-82>.

“Sephora Collection Pro Contour Kabuki No. 82” Accessed Sep. 8, 2017. <https://www.sephora.com.au/products/sephora-collection-pro-contour-kabuki-n-degrees-82>.

The Writing Pen Store, Triangle Pen and Pencil Grip—5 pack. Retrieved from http://www.thewritingpenstore.com/p-1021-triangle-pen-and-pencil-grip-5-pack.aspx?gclid=CJeBjr_qz8oCFYIcHwodPOAJ-Q. Available on Jan. 5, 2016.

Amazon. Faber-Castell 6ct Triangular Handle Paint Brush Set. Retrieved from http://www.amazon.com/Faber-Castell-Triangular-Handle-Paint-Brush/dp/B0017L5EG6. Available on Jan. 5, 2016.

Amazon. Real Techniques 6 ct. Triangle Foundation Brush, 2.86 Ounce. Retrieved from http://www.amazon.com/Real-Techniques-Triangle-Foundation-Brush/dp/B00TX1366SW. Available on Jan. 5, 2016.

(56)

References Cited

OTHER PUBLICATIONS

Amazon. e.l.f. Cosmetics 12 Piece Brush Set. Retrieved from <http://www.amazon.com/1-f-Cosmetics-Piece-Brush-Set/dp/B001HKR6WM>. Available on Jan. 5, 2016.

Real Techniques by Sam & Nic, 301 Flat Contour, [on-line]; [review posted to the Internet approximately around Feb. 10, 2015]; [retrieved from the Internet on Feb. 10, 2017]; URL: <<https://realtechniques.com/301-flat-contour/p/1447>>. (2 pages).

E.l.f. Beautifully Precise Brush Tutorial, [on-line]; [video published to the Internet on Aug. 29, 2016]; [retrieved from the Internet on Feb. 10, 2017]; URL: <<https://www.youtube.com/watch?v=dmr6bZtcILY>>. (3 pages).

E.l.f. Beautifully Precise Airbrush Stipple, [on-line]; [review posted to the Internet approximately around Oct. 10, 2016]; [retrieved from the Internet on Feb. 10, 2017]; URL: <<http://www.elfcosmetics.com/p/Beautifully-Precise-Airbrush-Stipple?Dept=shop-bpt>>. (2 pages).

E.l.f. Beautifully Precise Powder, [on-line]; [Wayback Machine crawl-back date posted to the Internet on Nov. 12, 2016]; [retrieved

from the Internet on Feb. 10, 2017]; URL: <<https://web.archive.org/web/20161112080711/http://www.elfcosmetics.com/p/beautifully-precise-powder-brush?Dept=shop-bpt>>. (1 page).

E.l.f. Beautifully Precise Smudge Brush, [on-line]; [Wayback Machine crawl-back date posted to the Internet on Nov. 12, 2016]; [retrieved from the Internet on Feb. 10, 2017]; URL: <<https://web.archive.org/web/20161112092948/http://www.elfcosmetics.com/p/beautifully-precise-smudge-brush?Dept=shop-bpt>>. (1 page).

E.l.f. Beautifully Precise Eyeliner Brush, [on-line]; [Wayback Machine crawl-back date posted to the Internet on Nov. 12, 2016]; [retrieved from the Internet on Feb. 10, 2017]; URL: <<https://web.archive.org/web/20161112073937/http://www.elfcosmetics.com/p/beautifully-precise-eyeliner-brush?Dept=shop-bpt>>. (1 page).

Real Techniques Bold Metals Makeup Brush . . . , [on-line]; [posted to the Internet on Mar. 26, 2016]; [retrieved from the Internet on Feb. 10, 2017]; URL: <<https://triedandtestedblog.wordpress.com/2016/03/26/real-techniques-bold-metals-makeup-brushcollection-100-101-200-201-202-300-301-review/>>. (5 pages).

* cited by examiner

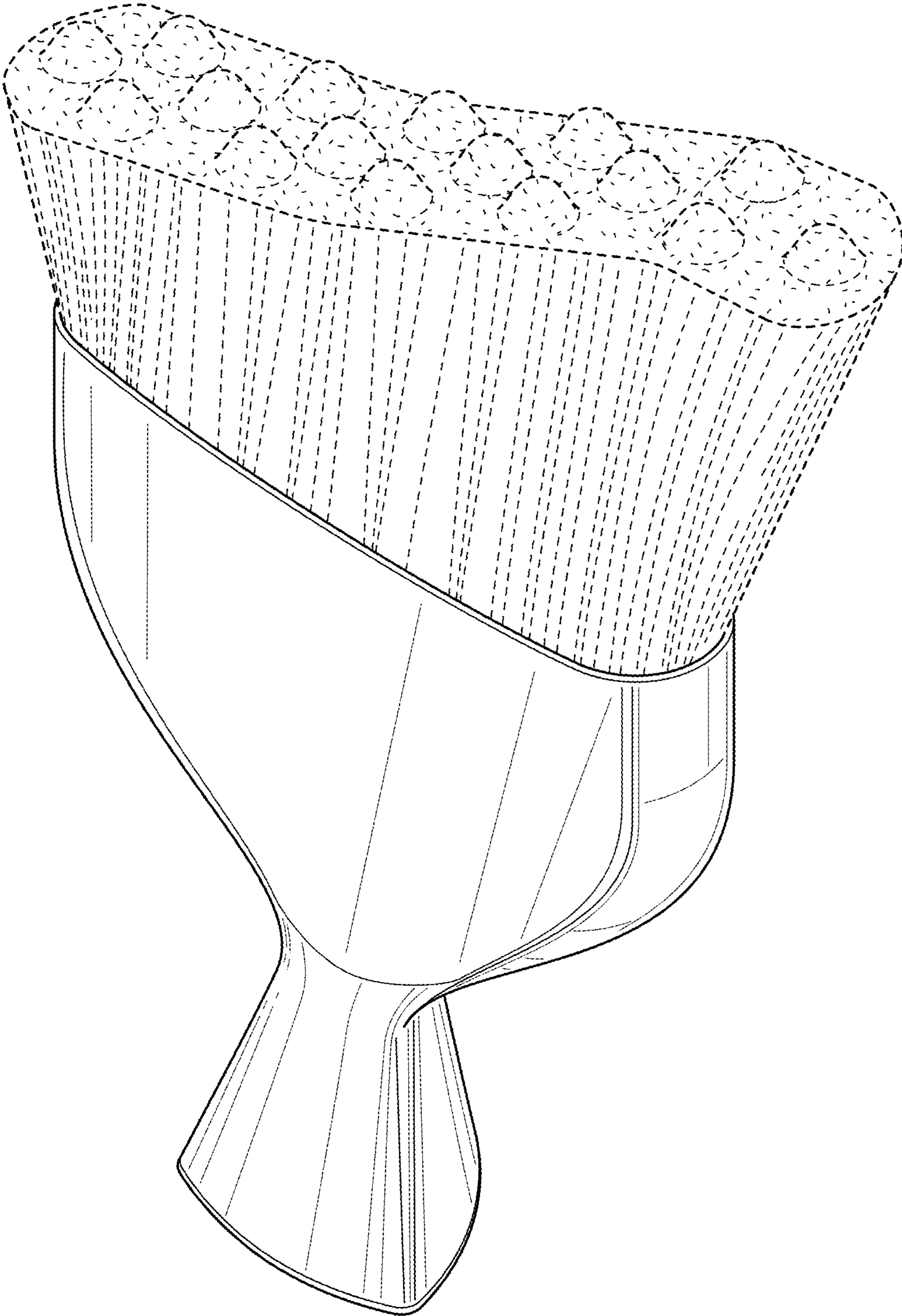


FIG. 1

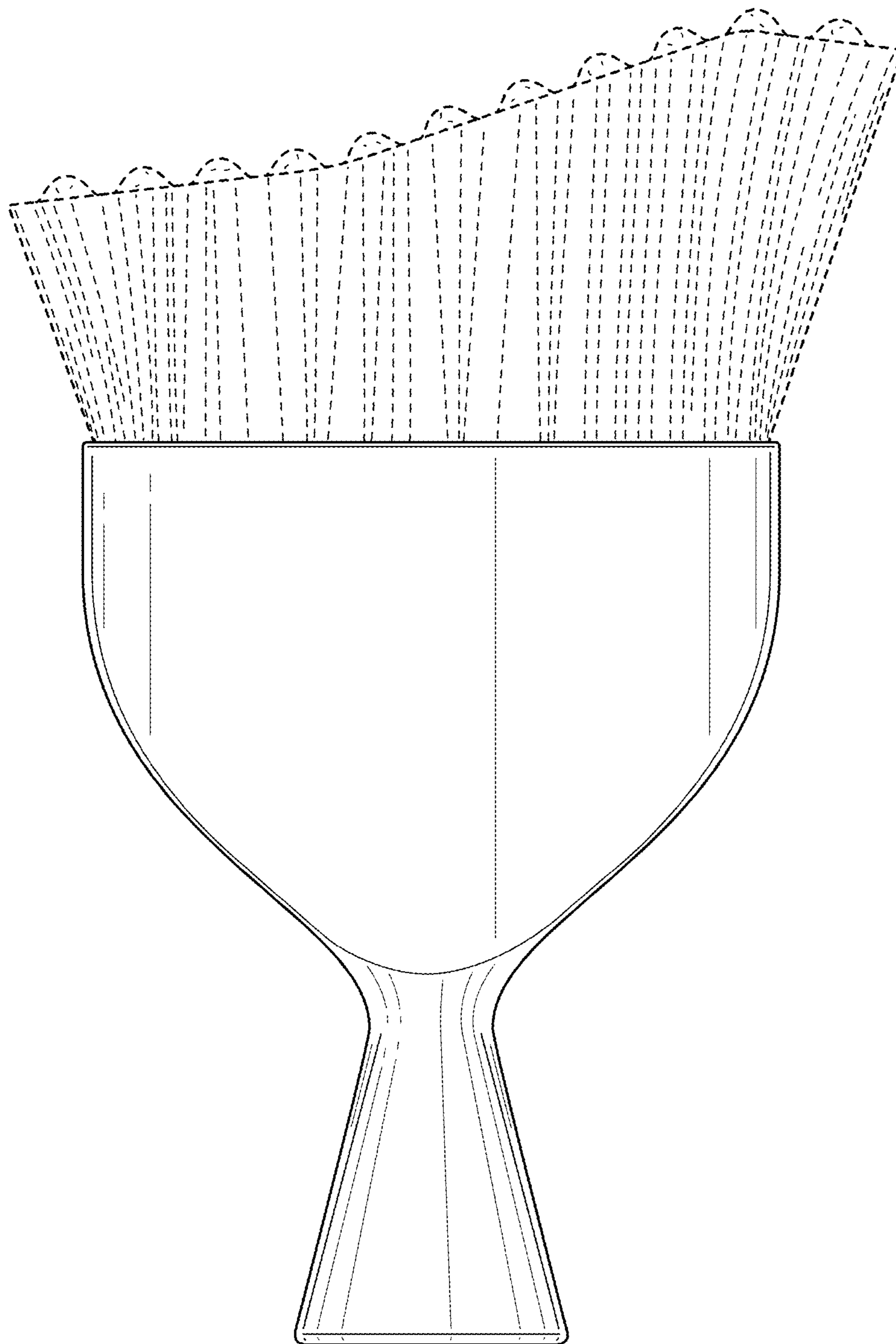


FIG. 2

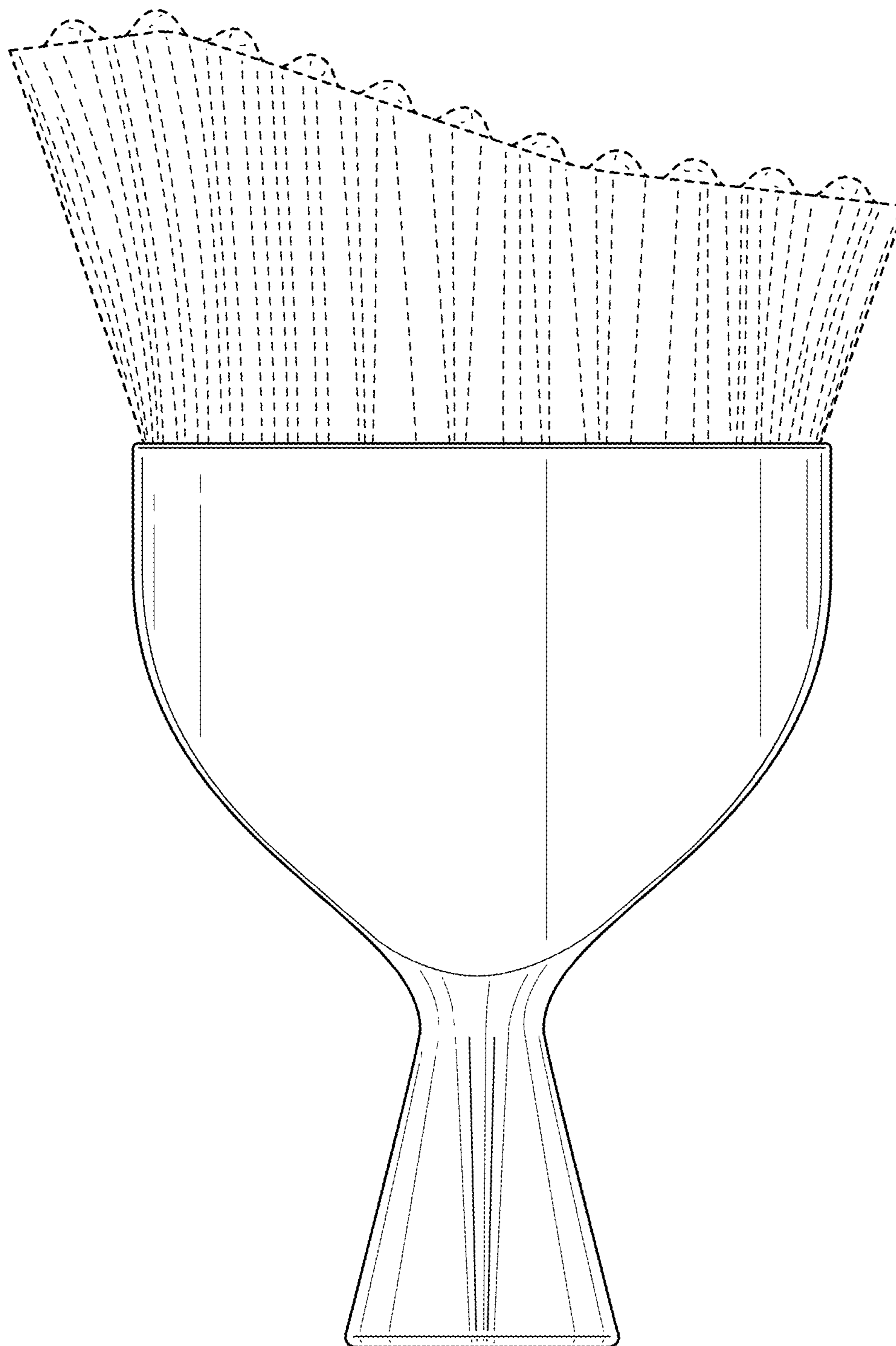


FIG. 3

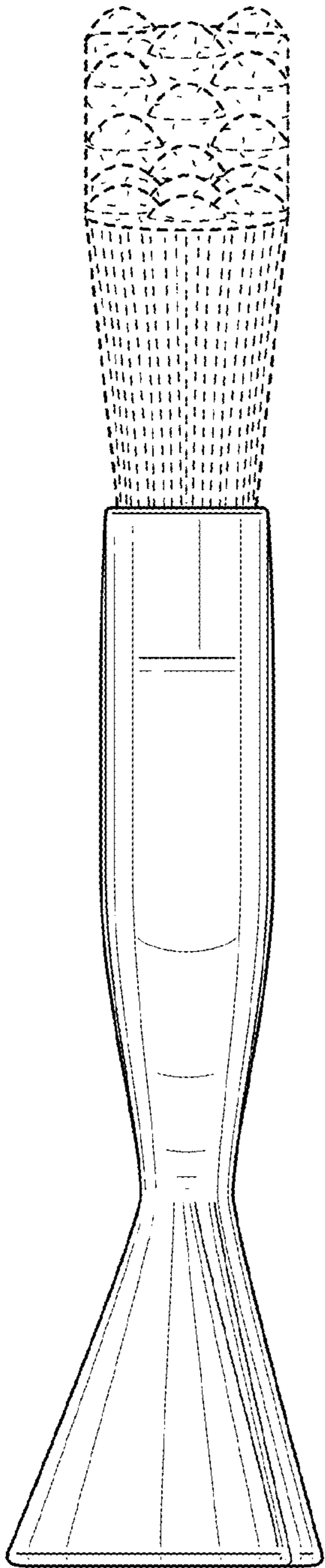


FIG. 4

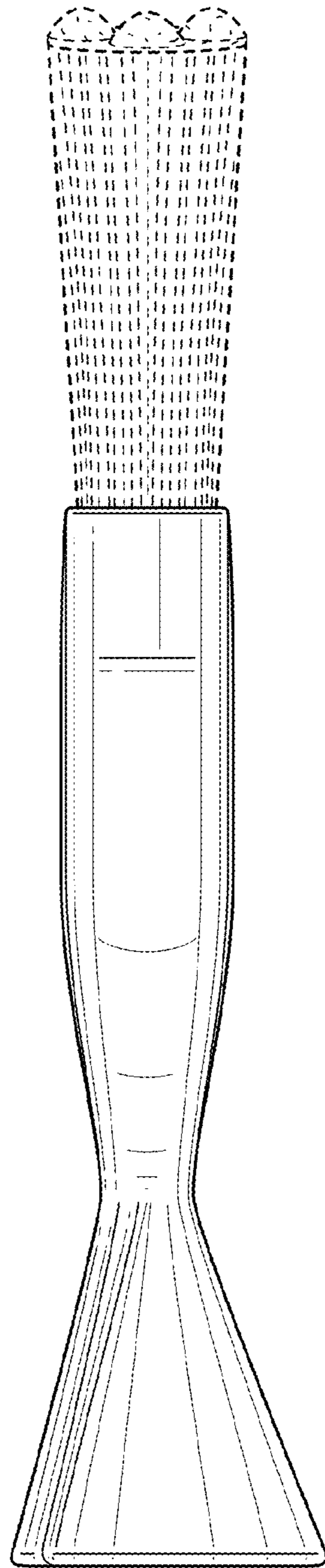


FIG. 5

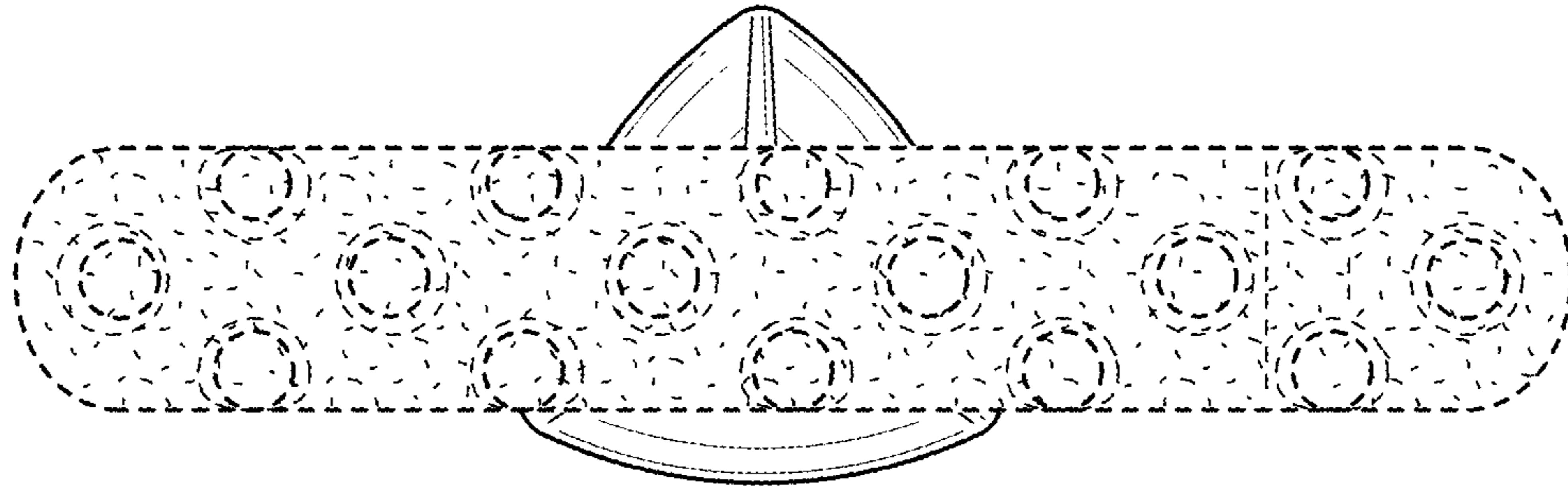


FIG. 6

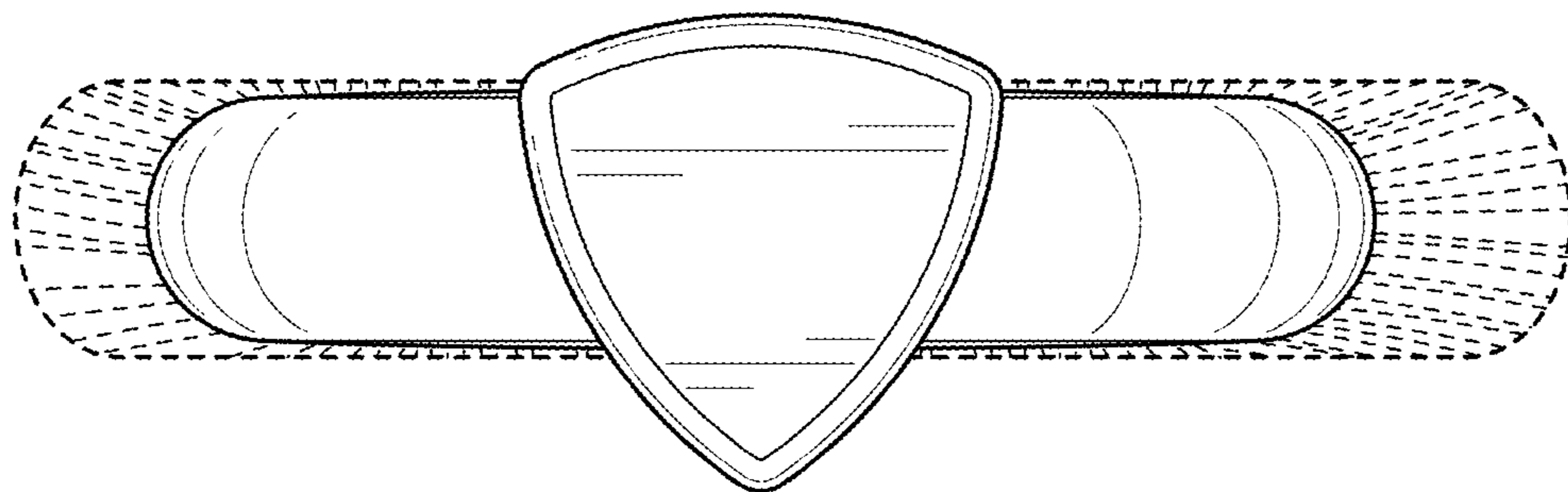


FIG. 7