



US00D836918S

(12) **United States Design Patent** (10) **Patent No.:** **US D836,918 S**
Exley (45) **Date of Patent:** **** Jan. 1, 2019**

(54) **SCRUBBING DEVICE**
(71) Applicant: **Ontel Products Corporation**, Fairfield, NJ (US)

D451,288 S 12/2001 Bean et al.
D458,760 S * 6/2002 Rowe D4/127
6,434,774 B1 8/2002 Castellon
(Continued)

(72) Inventor: **Ross Exley**, Morristown, NJ (US)
(73) Assignee: **Ontel Products Corporation**, Fairfield, NJ (US)

FOREIGN PATENT DOCUMENTS

CA 172854 * 9/2017
EM 003611094-0001 * 1/2017
(Continued)

(**) Term: **15 Years**

OTHER PUBLICATIONS

(21) Appl. No.: **29/586,784**
(22) Filed: **Dec. 7, 2016**
(51) **LOC (11) Cl.** **04-01**
(52) **U.S. Cl.**
USPC **D4/127**; D32/19
(58) **Field of Classification Search**
USPC D4/100, 102, 111, 114, 115, 119, 121,
D4/122, 132, 137, 138, 127; D23/223;
D32/19, 25, 40, 44, 45, 51
CPC A46B 5/00; A46B 5/02; A46B 5/0033;
A46B 7/23; A46B 11/00; A46B 11/0006;
A46B 11/0013; A46B 11/06; A46B
2200/10; A46B 2200/20; A46B 2200/30;
A46B 2200/3086

As Seen on TV Hurricane Spin Scrubber, [on-line]; [review posted to the Internet approximately on Sep. 4, 2017]; [retrieved from the Internet on Jan. 4, 2018]; (2 pgs). (Year: 2017).*
(Continued)

Primary Examiner — Karen S Acker
Assistant Examiner — Jasmine Mlinarcik
(74) *Attorney, Agent, or Firm* — John S. Artz; Dickinson Wright PLLC

See application file for complete search history.

(57) **CLAIM**

The ornamental design for a scrubbing device, as shown and described.

DESCRIPTION

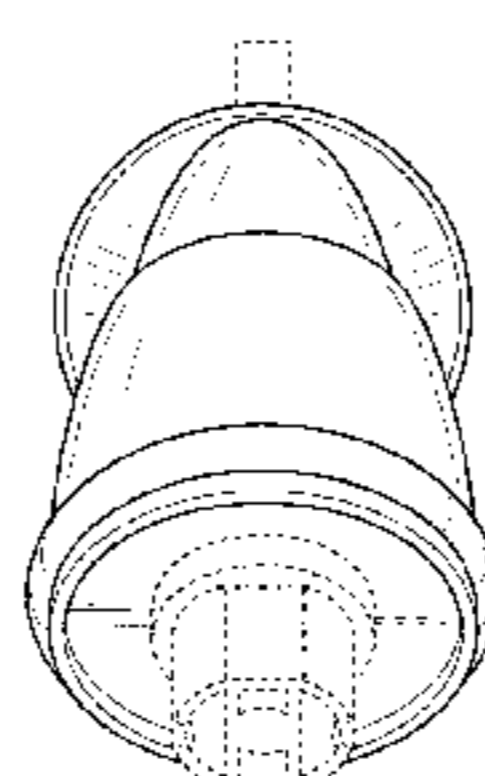
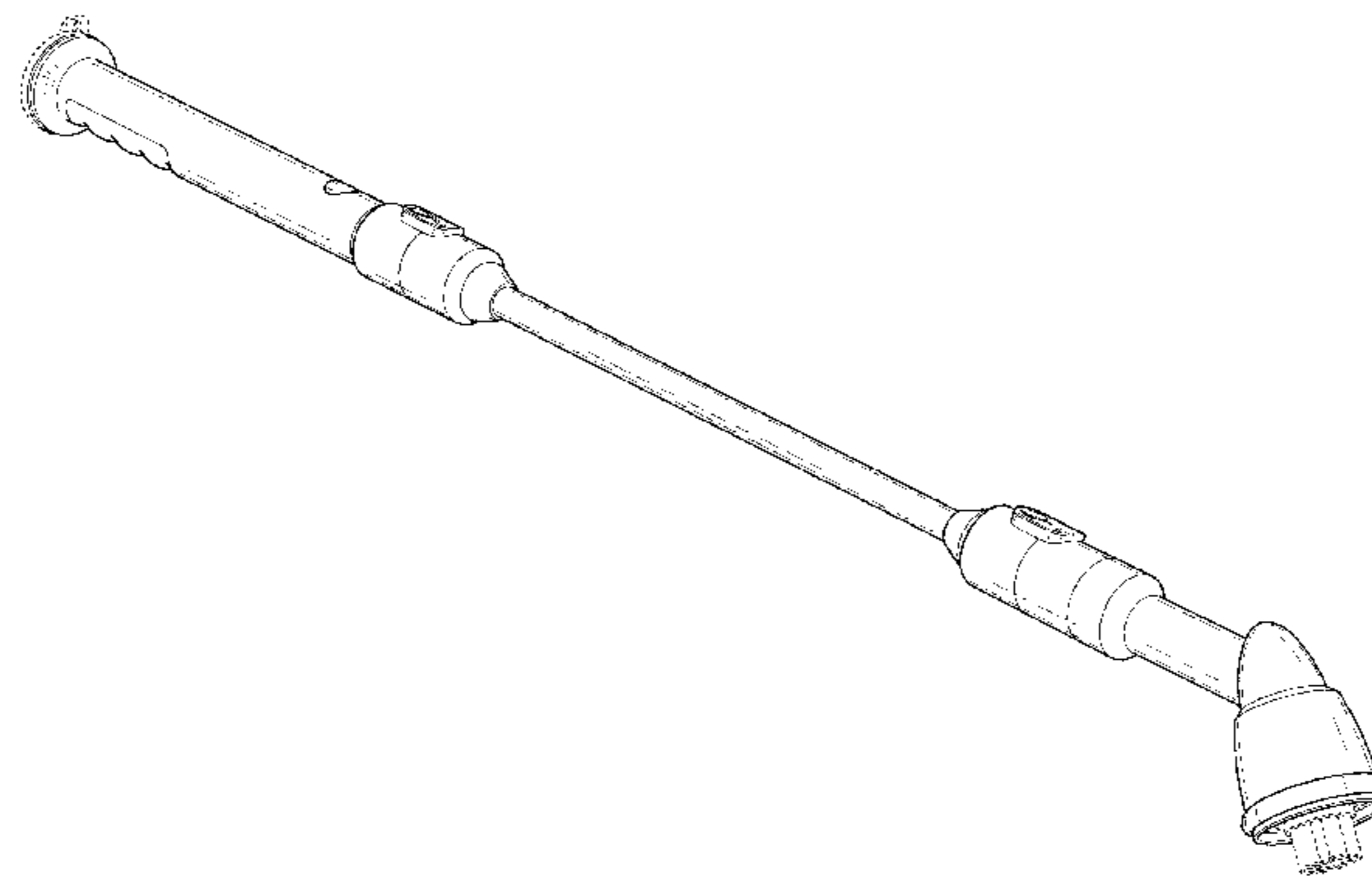
(56) **References Cited**

U.S. PATENT DOCUMENTS

D84,131 S * 5/1931 D'Ayrenx et al. D4/104
3,688,139 A 8/1972 Yaguchi
4,202,068 A 5/1980 Bullard et al.
4,204,292 A 5/1980 Bullard et al.
D270,560 S * 9/1983 Clivio D23/226
4,780,992 A 11/1988 McKervey
D311,645 S * 10/1990 Warwick D4/115
5,511,269 A 4/1996 Watson
5,609,255 A 3/1997 Nichols

FIG. 1 is a perspective view of a scrubbing device;
FIG. 2 is a front view of the scrubbing device of FIG. 1;
FIG. 3 is a back view of the scrubbing device of FIG. 1;
FIG. 4 is a left side view of the scrubbing device of FIG. 1;
FIG. 5 is a right side view of the scrubbing device of FIG. 1;
FIG. 6 is a top view of the scrubbing device of FIG. 1; and,
FIG. 7 is a bottom view of the scrubbing device of FIG. 1.
The broken lines shown in the drawings illustrate portions of the scrubbing device that form no part of the claimed design.

1 Claim, 3 Drawing Sheets



(56)

References Cited

U.S. PATENT DOCUMENTS

D466,183 S * 11/2002 Tse D23/213
D496,512 S * 9/2004 Treacy D32/51
D497,697 S 10/2004 Alsrue et al.
D498,027 S 11/2004 Alsrue et al.
D498,028 S 11/2004 Alsrue et al.
D498,288 S * 11/2004 Chen D23/223
D498,567 S 11/2004 Alsrue et al.
D498,889 S 11/2004 Alsrue et al.
D543,362 S 5/2007 Hall
D597,315 S * 8/2009 Hoffelner D4/118
D600,022 S 9/2009 Busschaert
7,937,792 B2 5/2011 Munn et al.
D645,255 S * 9/2011 Schouten D4/114
D744,757 S * 12/2015 Schouten D4/115
D800,251 S * 10/2017 Feuerstein D23/223
2002/0104177 A1 8/2002 Wong et al.

FOREIGN PATENT DOCUMENTS

JP 3957207 B2 8/2007
RU 00106159 * 12/2017

OTHER PUBLICATIONS

Turbo Scrub, [on-line]; [review posted to the Internet on Dec. 26, 2016]; [retrieved from the Internet on Jan. 4, 2018]; (6 pgs). (Year: 2016).*

Amazon—Quickie Tub N' Tile Power Scrubber <https://www.amazon.com/Quickie-Tub-Tile-Power-Scrubber/dp/B008YRJGBU>.

* cited by examiner

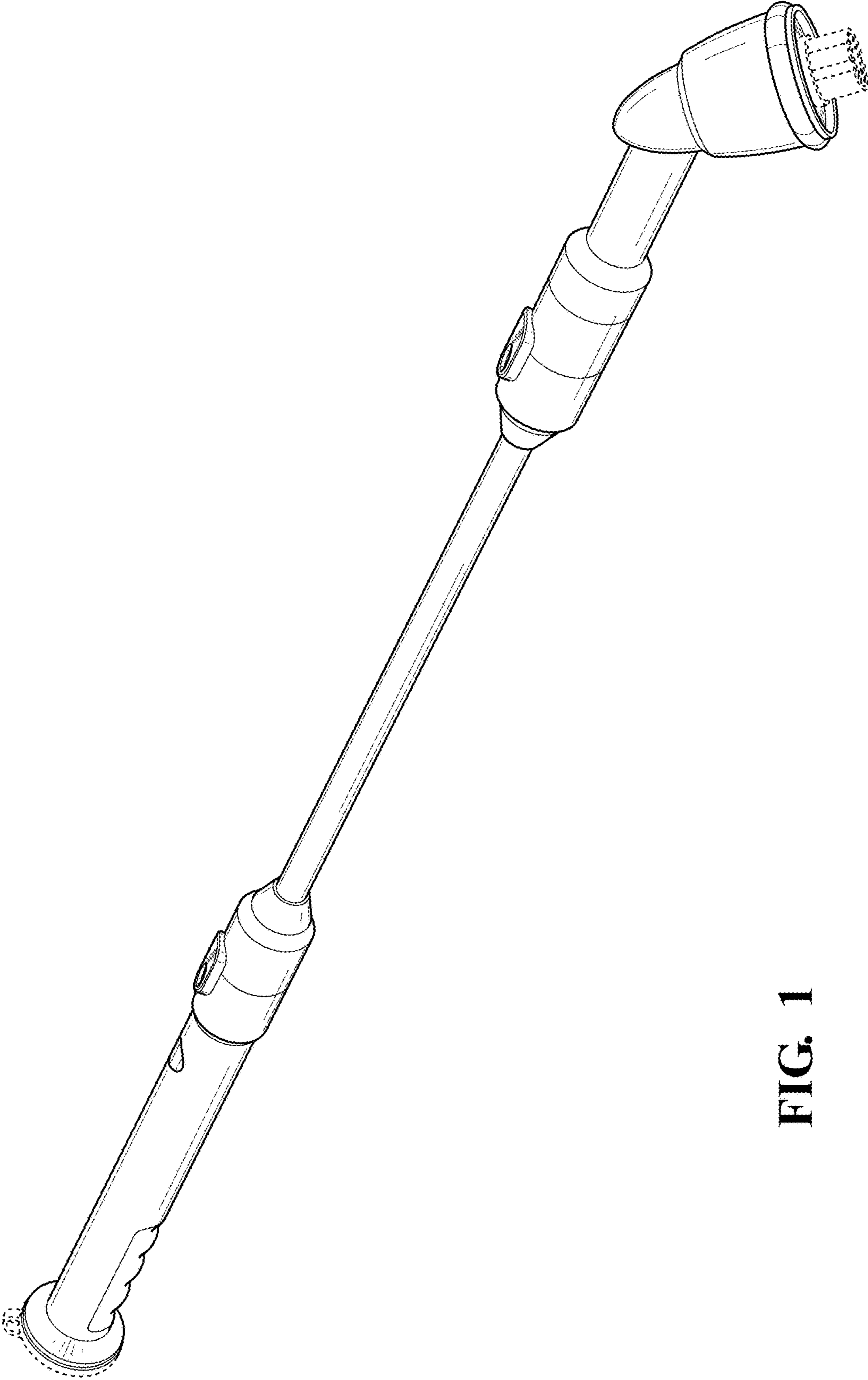


FIG. 1

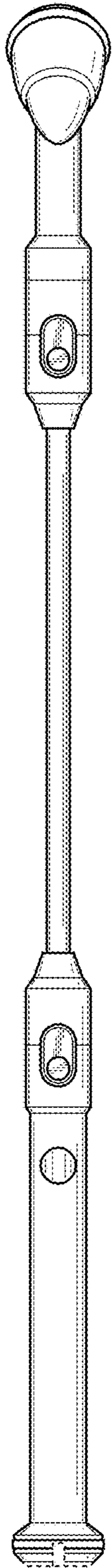


FIG. 2

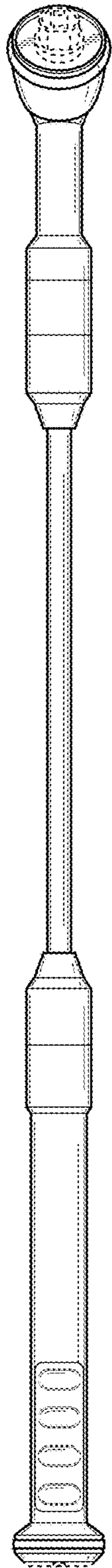


FIG. 3

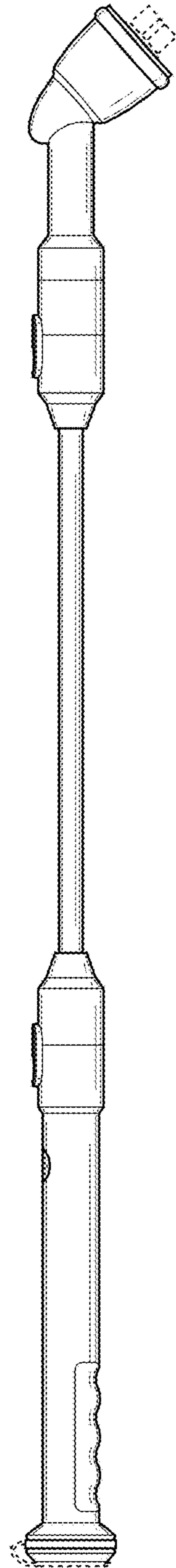


FIG. 4

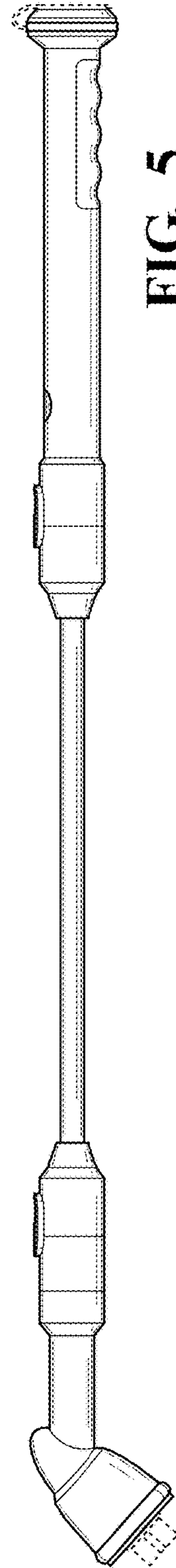


FIG. 5

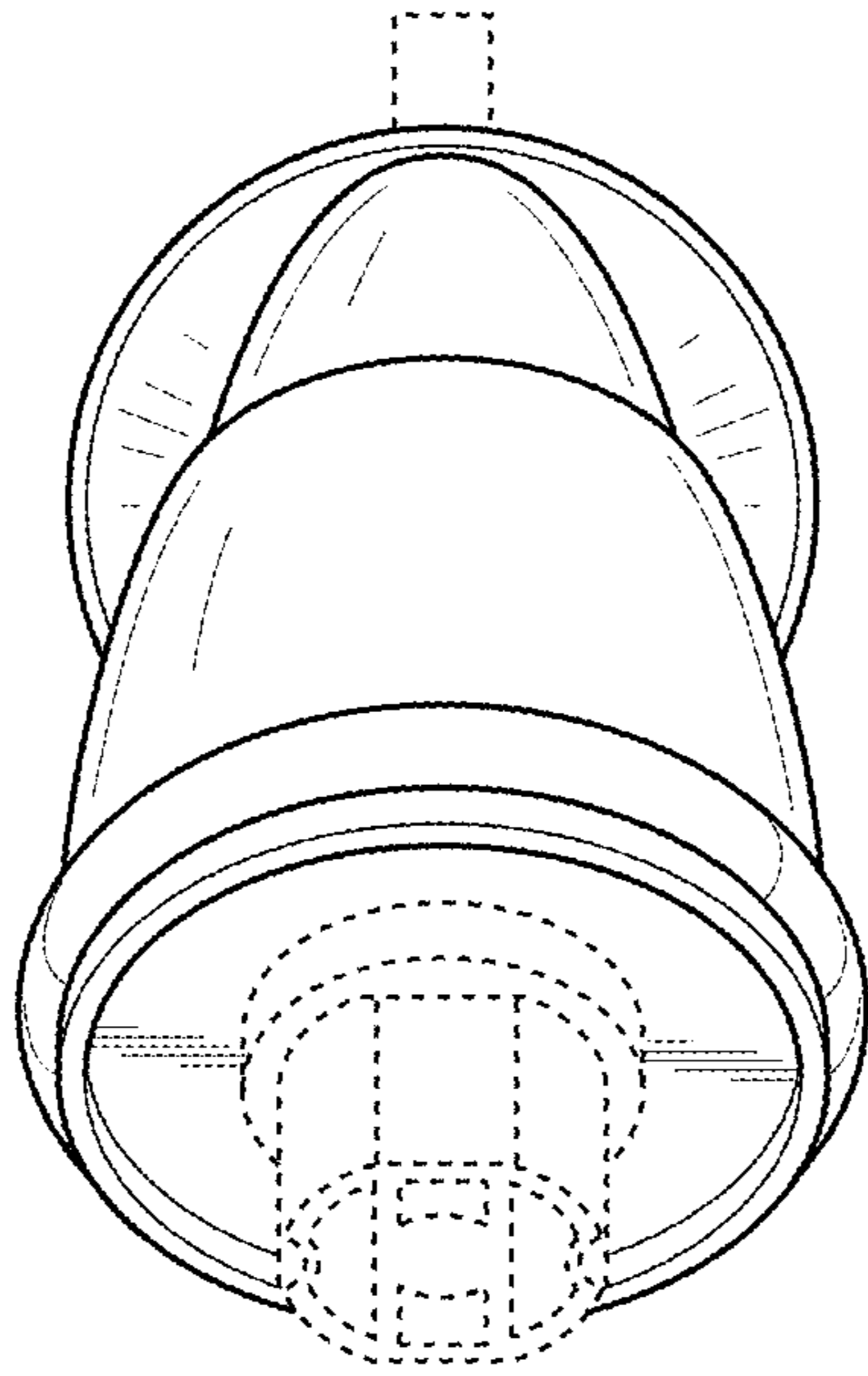


FIG. 6

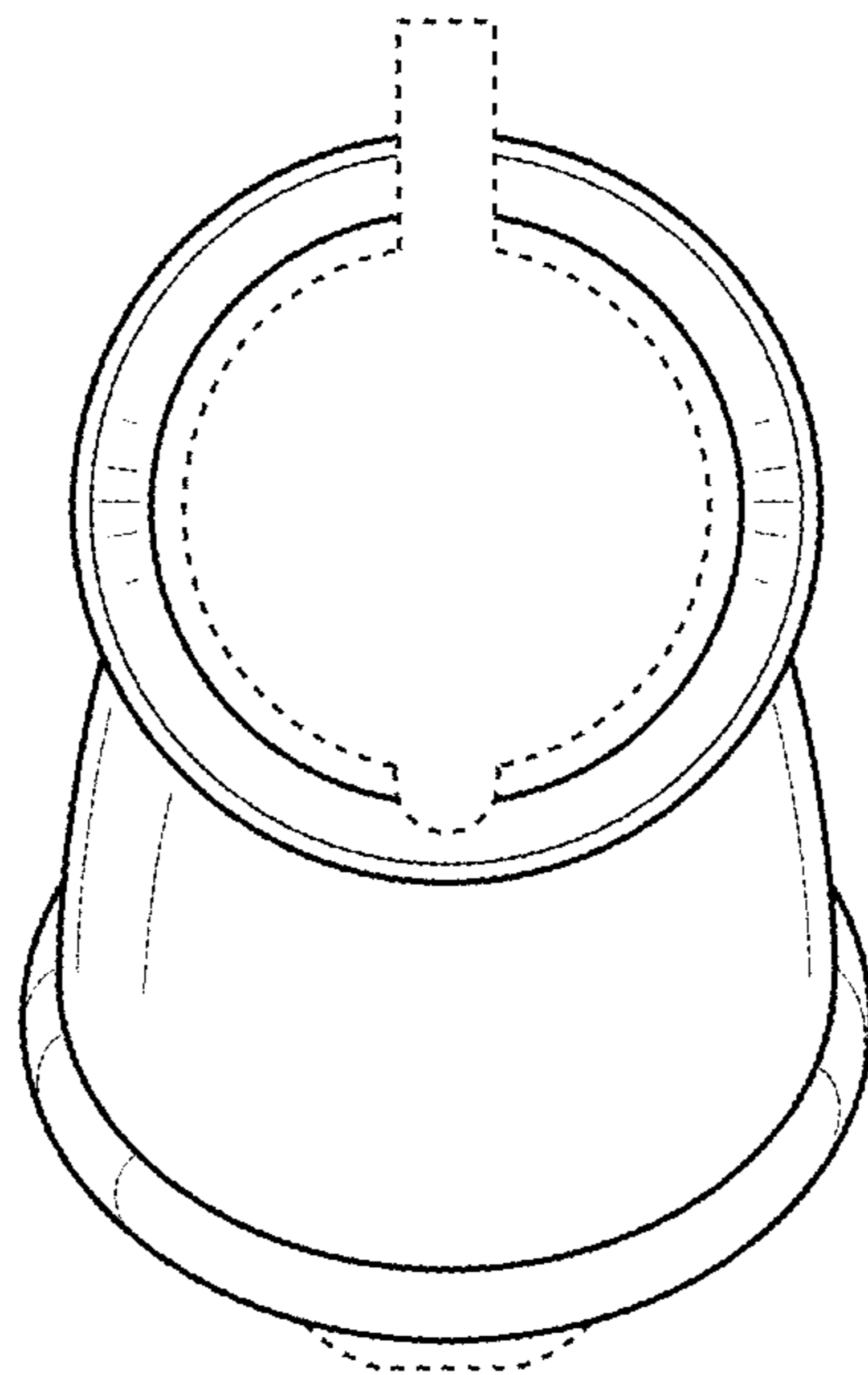


FIG. 7