



US00D836916S

(12) **United States Design Patent**  
**Ebrahimi Afrouzi et al.**

(10) **Patent No.:** **US D836,916 S**  
(45) **Date of Patent:** **\*\* Jan. 1, 2019**

- (54) **SIDE BRUSH**
- (71) Applicants: **Ali Ebrahimi Afrouzi**, San Jose, CA (US); **Shahin Fathi Djalali**, San Francisco, CA (US)
- (72) Inventors: **Ali Ebrahimi Afrouzi**, San Jose, CA (US); **Shahin Fathi Djalali**, San Francisco, CA (US)
- (73) Assignee: **AI Incorporated**, Toronto (CA)
- (\*\*) Term: **15 Years**
- (21) Appl. No.: **29/629,118**
- (22) Filed: **Dec. 11, 2017**
- (51) **LOC (11) Cl.** ..... **04-02**
- (52) **U.S. Cl.**  
USPC ..... **D4/102**
- (58) **Field of Classification Search**  
USPC ..... D4/100, 102, 109, 110, 118, 137, 138;  
D23/377; D32/25, 26, 31, 32; 15/32,  
15/41.1, 49.1, 50.3, 52.1, 53.2, 54, 55,  
15/98, 78, 79.2, 87, 88.3, 179, 180, 184  
CPC ..... A46B 5/00; A46B 13/02; A46B 13/028;  
A46B 13/001; A46B 13/003; A46B  
13/008; A46B 2200/30; A46B 2200/3026;  
A46B 2200/3066; A46B 2200/405; A46B  
9/00; A46B 9/12; A46B 9/028; A46B  
7/08; A46B 7/10; A47L 11/00; A47L  
11/02; A47L 11/04; A47L 11/32; A47L  
2210/00  
See application file for complete search history.

(56) **References Cited**

**U.S. PATENT DOCUMENTS**

- 658,416 A \* 9/1900 Yale ..... A46B 13/001  
15/179
- 3,090,061 A \* 5/1963 Charvat ..... A46B 13/003  
15/207.2

- 3,237,232 A \* 3/1966 Holley ..... A46B 3/22  
15/159.1
- 3,978,539 A \* 9/1976 Yonkers ..... A47L 11/33  
15/42
- 4,107,809 A \* 8/1978 Schuelein ..... A47L 11/33  
15/42
- 4,534,080 A \* 8/1985 Young ..... A46B 7/04  
15/104.066
- 5,045,091 A \* 9/1991 Abrahamson ..... A46B 7/04  
15/183
- D369,447 S \* 4/1996 Mann ..... D32/19
- 5,842,250 A \* 12/1998 Zhadanov ..... A46B 7/08  
15/230.14
- 5,903,951 A \* 5/1999 Ionta ..... A46B 3/005  
15/180
- 5,951,113 A \* 9/1999 Lewis, Jr. .... A46D 3/045  
15/159.1
- 6,001,448 A \* 12/1999 Zigerlig ..... A46B 13/001  
428/67
- 7,310,851 B2 \* 12/2007 Zhadanov ..... A47L 11/164  
15/1.7
- 7,441,298 B2 \* 10/2008 Svendsen ..... A47L 5/30  
15/49.1
- D704,398 S \* 5/2014 Tinius ..... D32/16

(Continued)

*Primary Examiner* — Wan Laymon  
*Assistant Examiner* — Clint A Samuel

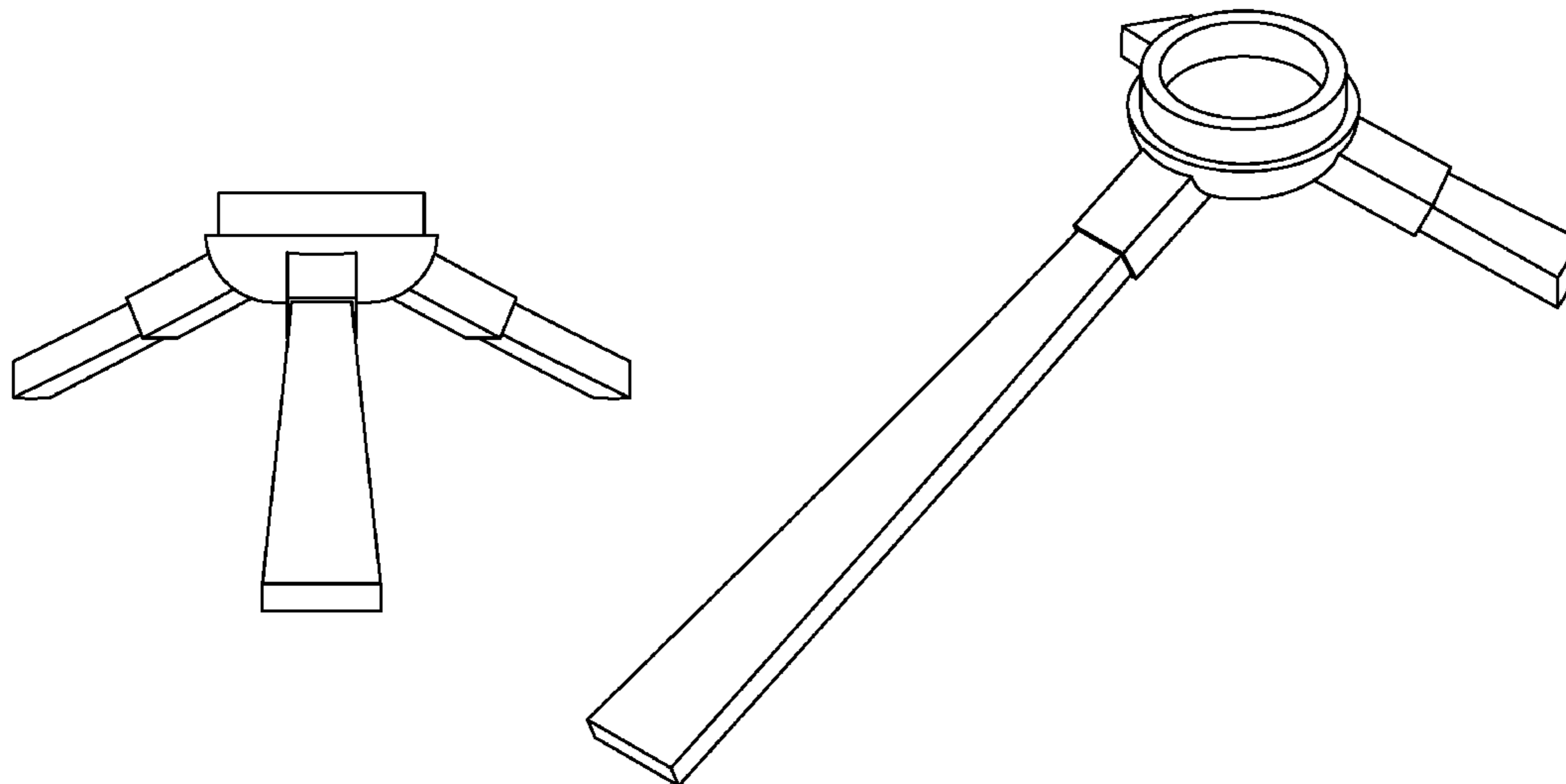
(57) **CLAIM**

The ornamental design for a side brush, as shown and described.

**DESCRIPTION**

FIG. 1 is a front elevation view of a side brush showing our new design;  
FIG. 2 is a rear view thereof;  
FIG. 3 is a side view thereof;  
FIG. 4 is a top view thereof;  
FIG. 5 is a bottom view thereof;  
FIG. 6 is an overhead perspective view thereof; and,  
FIG. 7 is a bottom perspective view thereof.

**1 Claim, 7 Drawing Sheets**



(56)

**References Cited**

U.S. PATENT DOCUMENTS

D716,437 S \* 10/2014 Salisbury ..... D23/377  
 9,211,045 B2 \* 12/2015 Li ..... A47L 11/4058  
 2004/0200024 A1 \* 10/2004 Yamin ..... B60S 3/066  
 15/230.16  
 2005/0039278 A1 \* 2/2005 Riach ..... B60B 35/003  
 15/87  
 2009/0260171 A1 \* 10/2009 Sajakorpi ..... A46B 3/08  
 15/180  
 2013/0302751 A1 \* 11/2013 Maxa ..... A46B 13/008  
 433/166  
 2013/0318733 A1 \* 12/2013 Weil ..... A46B 13/003  
 15/168  
 2014/0067116 A1 \* 3/2014 Moon ..... A47L 9/2873  
 700/245  
 2014/0101874 A1 \* 4/2014 Du Maire ..... E01H 1/053  
 15/87  
 2014/0130290 A1 \* 5/2014 Jang ..... A47L 9/108  
 15/319

2014/0223678 A1 \* 8/2014 Chiu ..... A47L 11/4066  
 15/98  
 2014/0352086 A1 \* 12/2014 Scholten ..... A47L 11/4013  
 15/21.1  
 2015/0342431 A1 \* 12/2015 Zydek ..... A47L 11/4038  
 15/366  
 2016/0075024 A1 \* 3/2016 Ozick ..... A47L 5/30  
 700/253  
 2016/0143496 A1 \* 5/2016 Penner ..... A47L 9/04  
 15/383  
 2016/0166052 A1 \* 6/2016 Kasper ..... A46B 13/001  
 15/179  
 2016/0193987 A1 \* 7/2016 Favagrossa ..... A46B 7/10  
 15/53.2  
 2016/0206165 A1 \* 7/2016 Kim ..... A47L 9/0444  
 2016/0316982 A1 \* 11/2016 Kim ..... A47L 9/2857  
 2017/0215666 A1 \* 8/2017 Won ..... A47L 5/30  
 2017/0325648 A1 \* 11/2017 Huang ..... A47L 11/4038  
 2017/0354303 A1 \* 12/2017 Kastensson ..... A46B 13/008

\* cited by examiner

FIG. 1

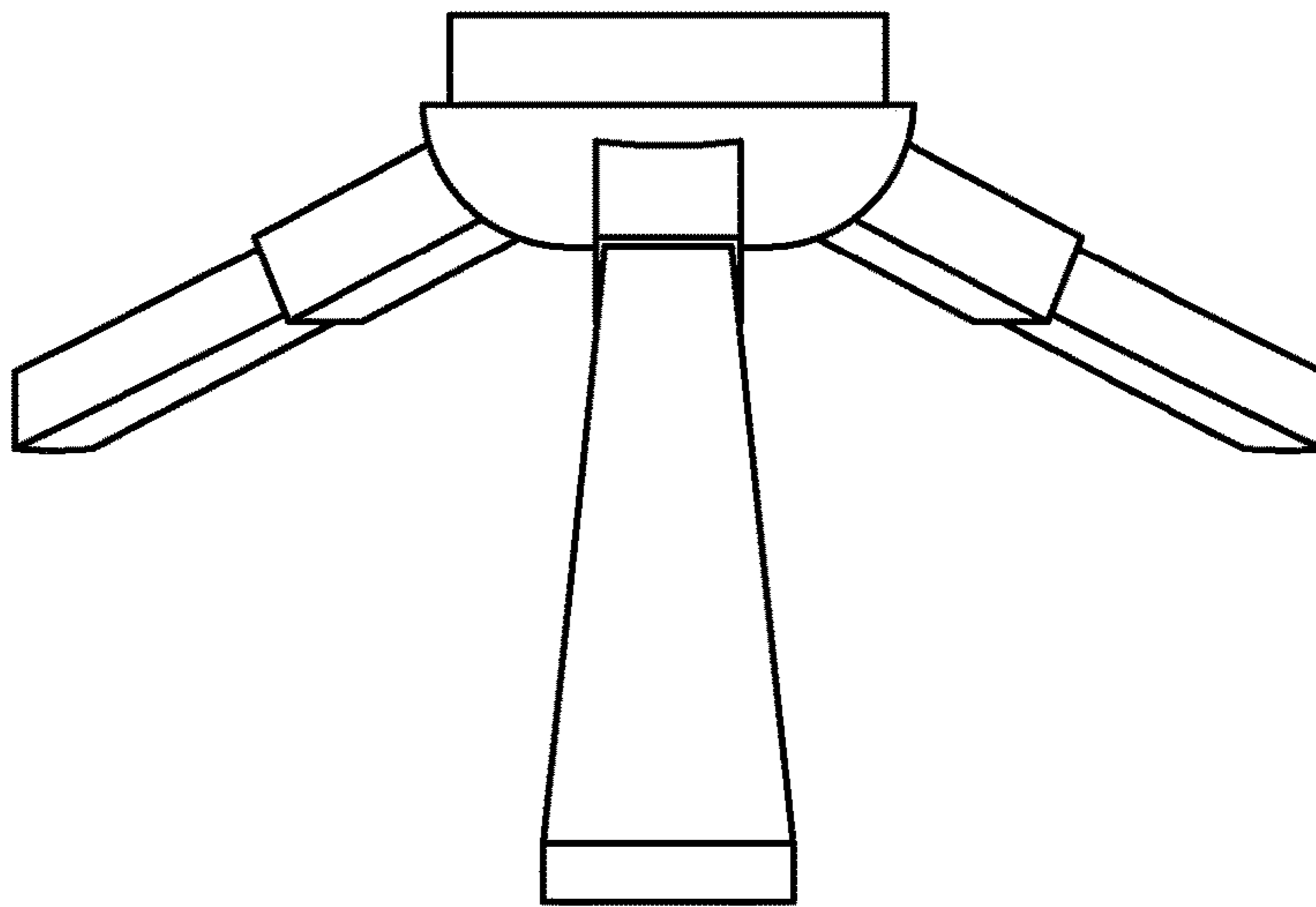


FIG. 2

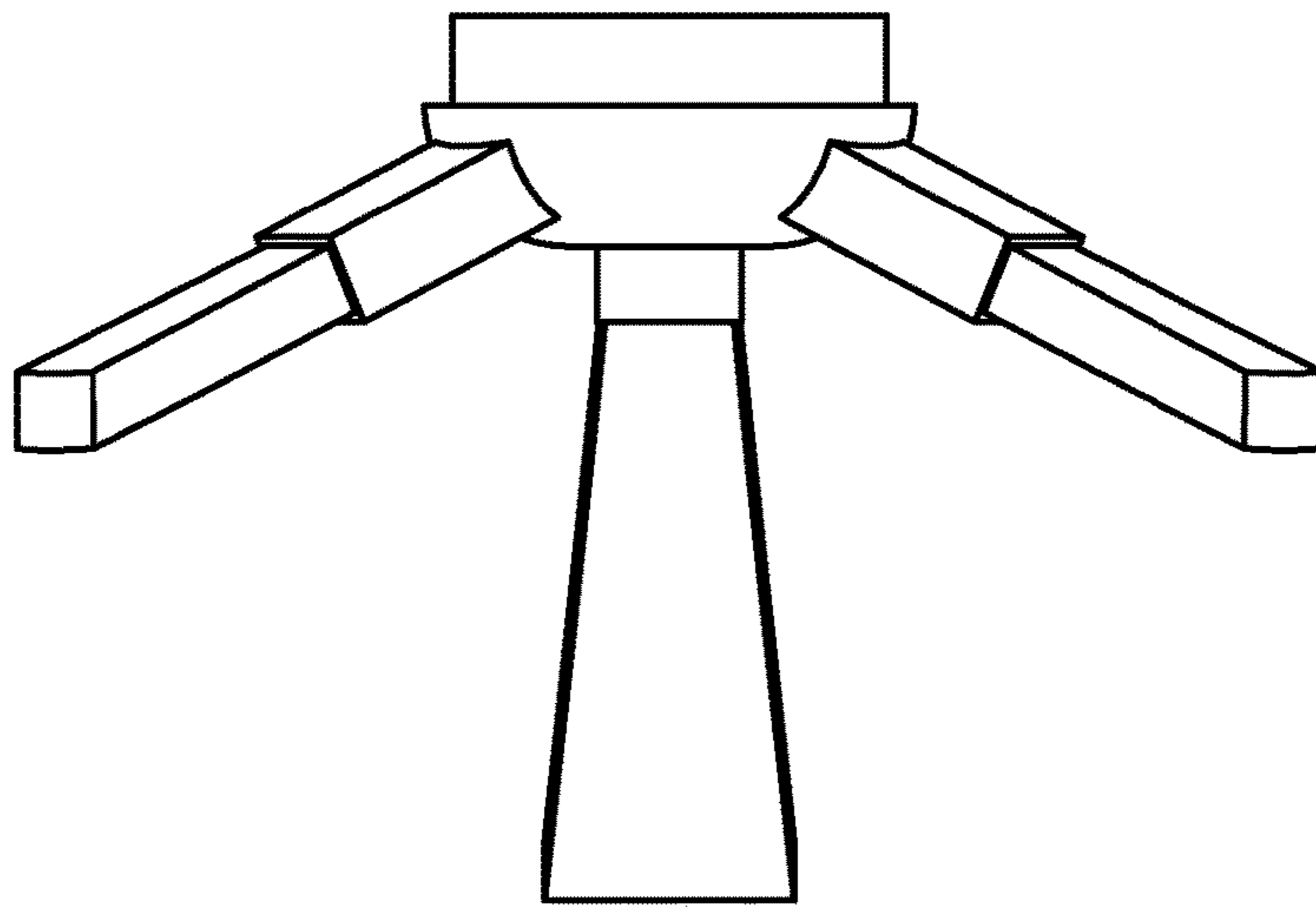


FIG. 3

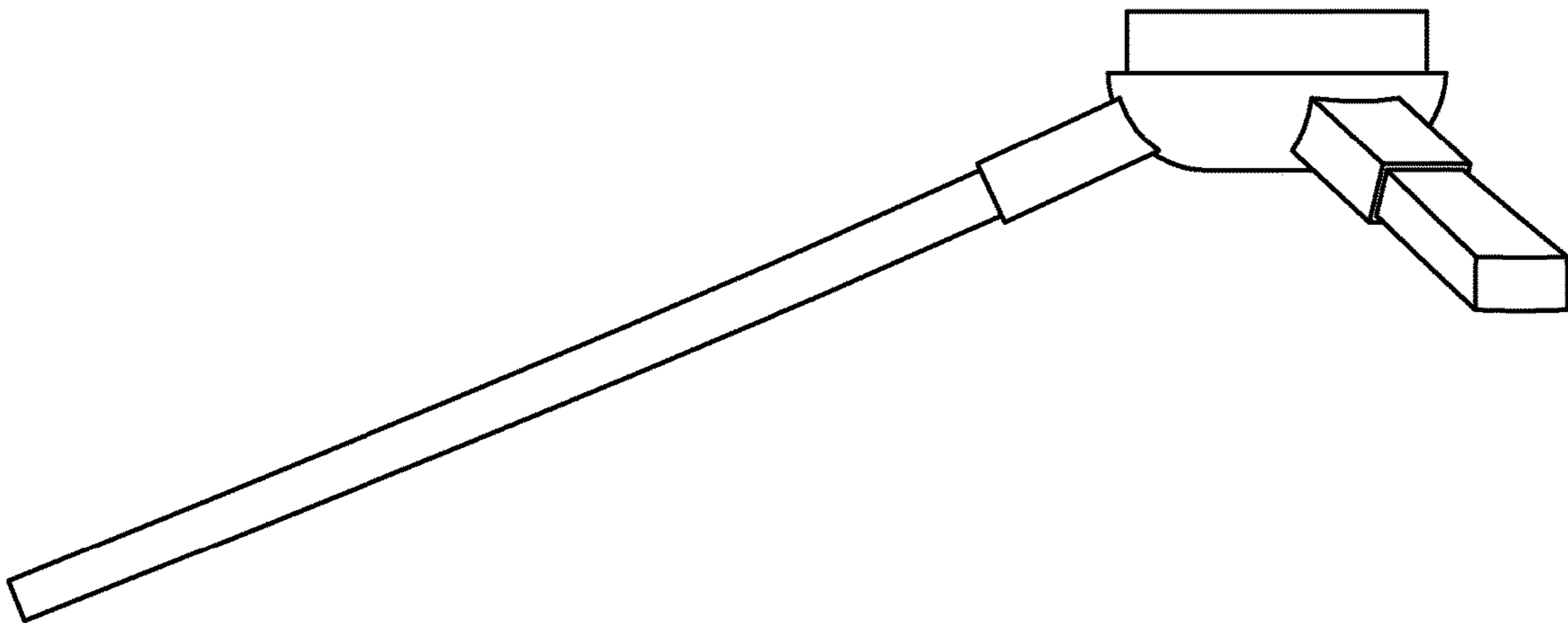


FIG. 4

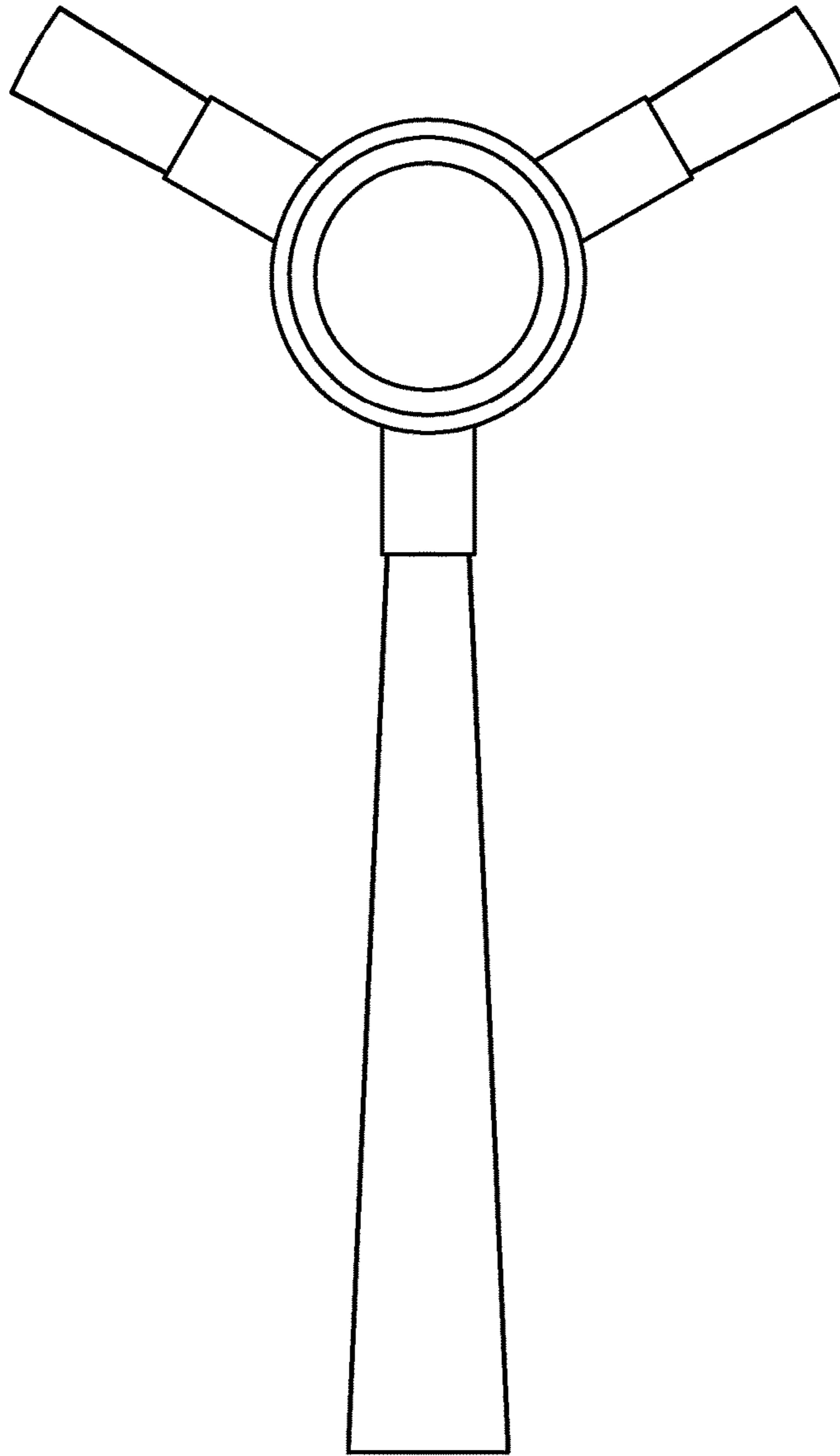


FIG. 5

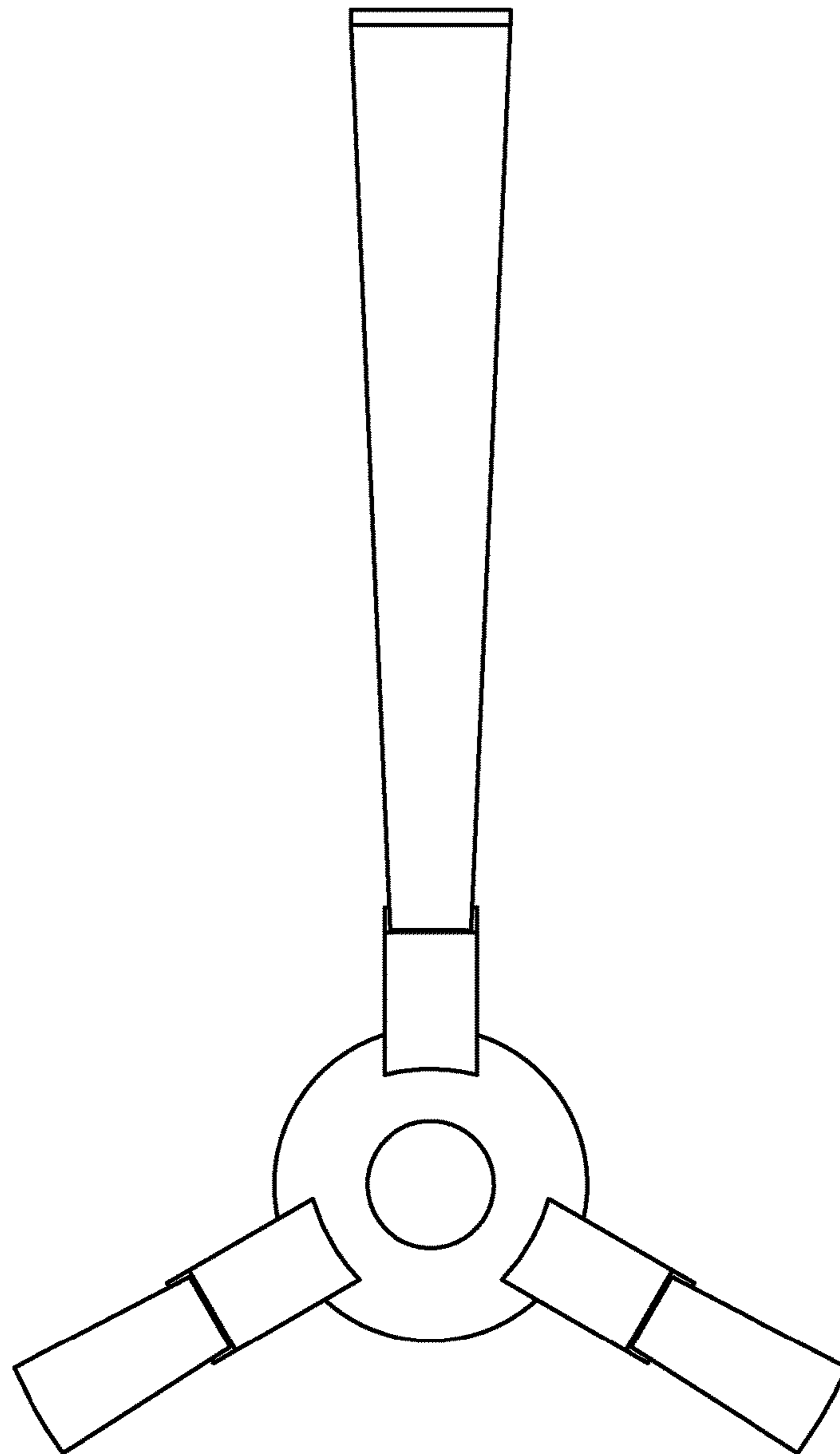


FIG. 6

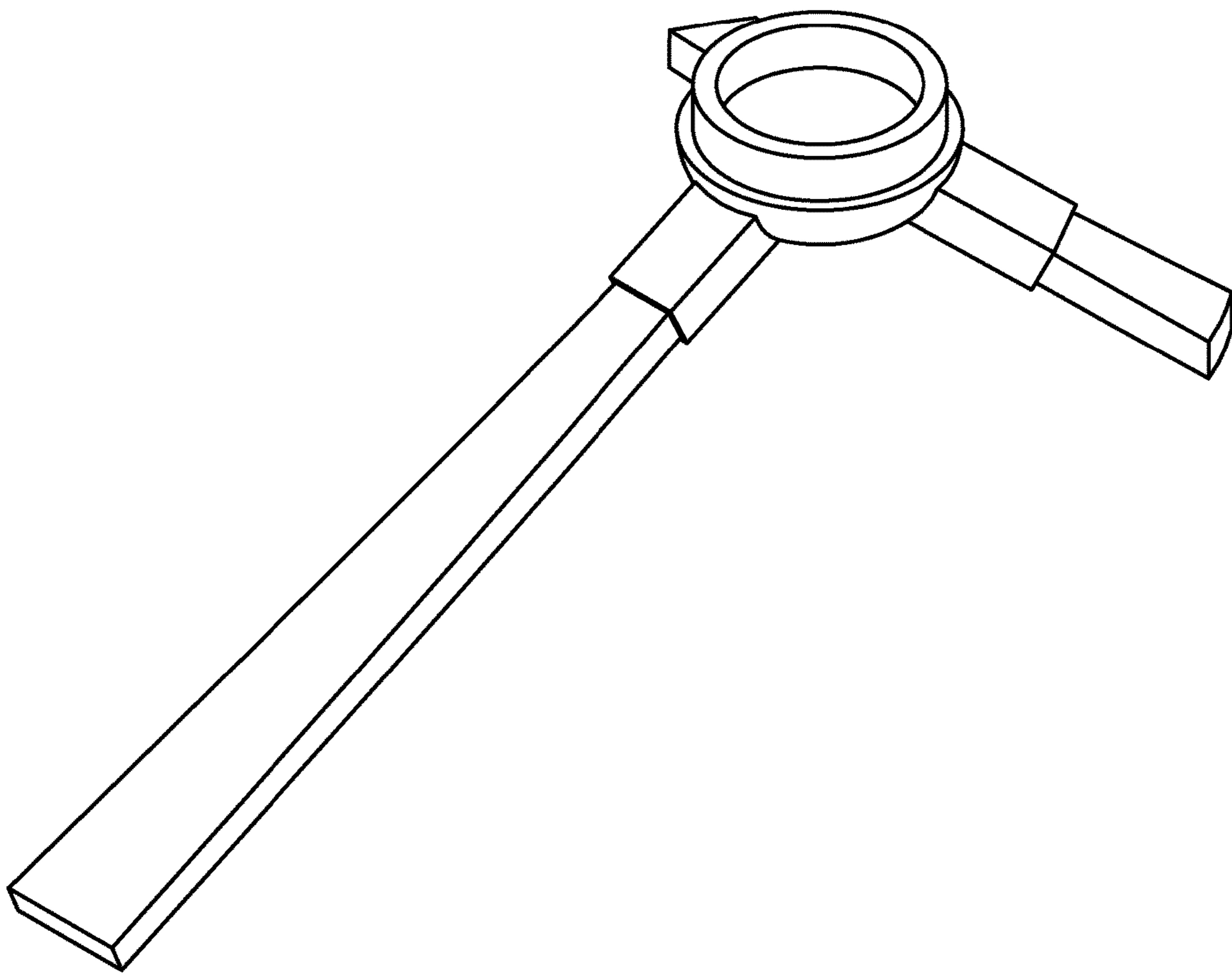




FIG. 7

