



US00D836914S

(12) **United States Design Patent** (10) **Patent No.:** **US D836,914 S**
Reinhart (45) **Date of Patent:** **** Jan. 1, 2019**

(54) **STACKABLE LID**
(71) Applicant: **Creative Plastic Concepts, LLC,**
Sycamore, OH (US)
(72) Inventor: **Nickolas Reinhart,** Findlay, OH (US)
(73) Assignee: **Creative Plastic Concepts, LLC,**
Sycamore, OH (US)
(**) Term: **15 Years**
(21) Appl. No.: **29/619,121**
(22) Filed: **Sep. 27, 2017**
(51) **LOC (11) Cl.** **03-01**
(52) **U.S. Cl.**
USPC **D3/318**
(58) **Field of Classification Search**
USPC D3/273, 294, 289, 318
CPC B65D 2543/00194; B65D 21/0209; B65D
2543/00296
See application file for complete search history.

D765,411 S 9/2016 Reinhart
D773,821 S 12/2016 Reinhart
D776,932 S 1/2017 Reinhart
D792,105 S * 7/2017 Reinhart D3/318
2016/0107803 A1 4/2016 Reinhart
2017/0107015 A1 4/2017 Reinhart

* cited by examiner

Primary Examiner — Holly H Baynham
(74) *Attorney, Agent, or Firm* — Jacob M. Ward; Ward
Law Office LLC

(57) **CLAIM**

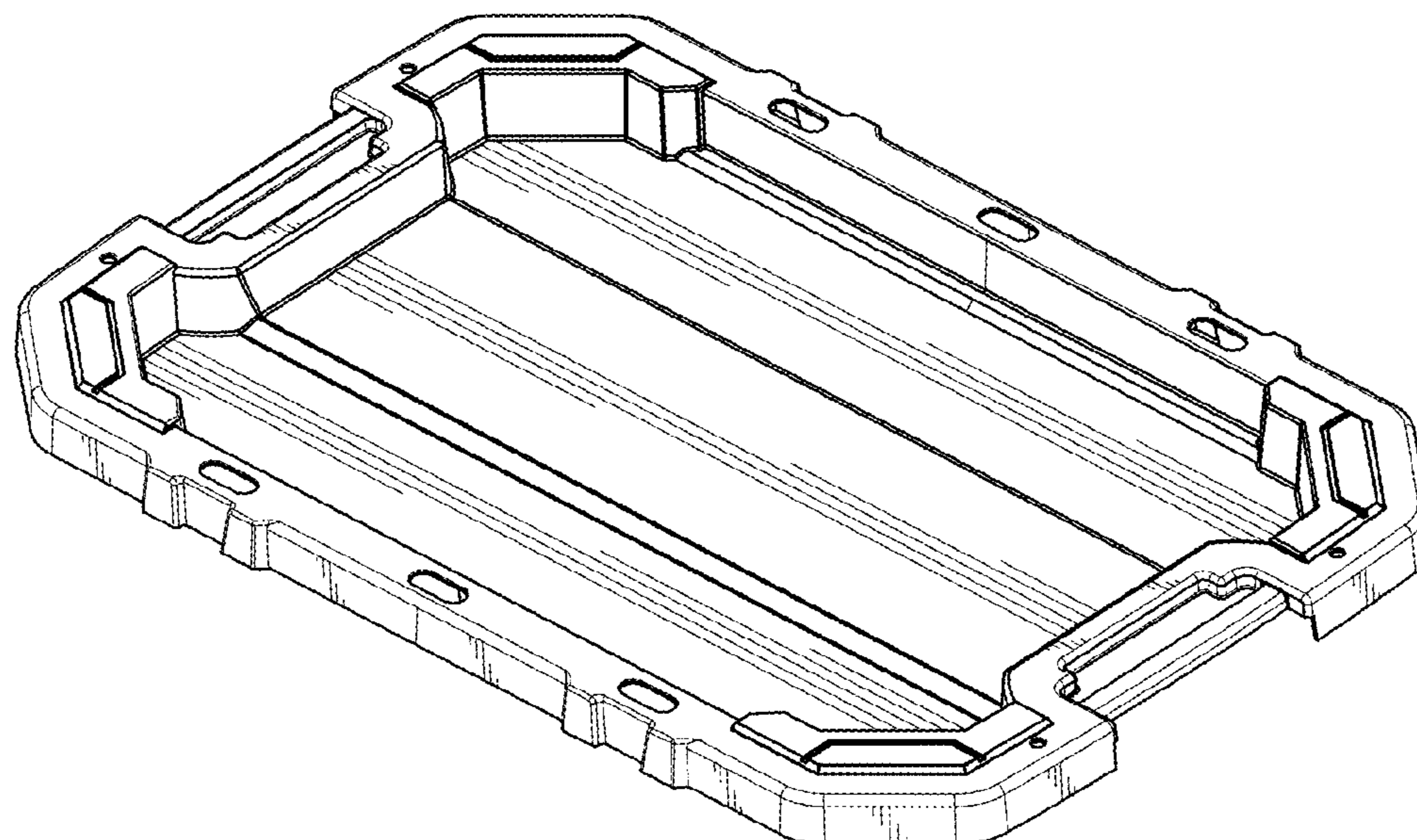
The ornamental design for a stackable lid, as shown and described.

DESCRIPTION

FIG. 1 is a top perspective view of a stackable lid;
FIG. 2 is a bottom perspective view thereof;
FIG. 3 is a top plan view thereof;
FIG. 4 is a bottom plan view thereof;
FIG. 5 is a right side elevational view thereof; and,
FIG. 6 is a front elevational view thereof.
A left side elevational view is not shown because it is identical the right side elevational view shown in FIG. 5. A rear elevational view is not shown because it is identical to the front elevational view shown in FIG. 6.
The ornamental design which is claimed is shown in solid lines in the drawings.

1 Claim, 3 Drawing Sheets

(56) **References Cited**
U.S. PATENT DOCUMENTS
D648,538 S * 11/2011 Reinhart D3/318
D744,239 S * 12/2015 Reinhart D3/302
D744,240 S 12/2015 Reinhart
D765,397 S 9/2016 Reinhart
D765,407 S 9/2016 Reinhart
D765,408 S 9/2016 Reinhart
D765,409 S 9/2016 Reinhart
D765,410 S 9/2016 Reinhart



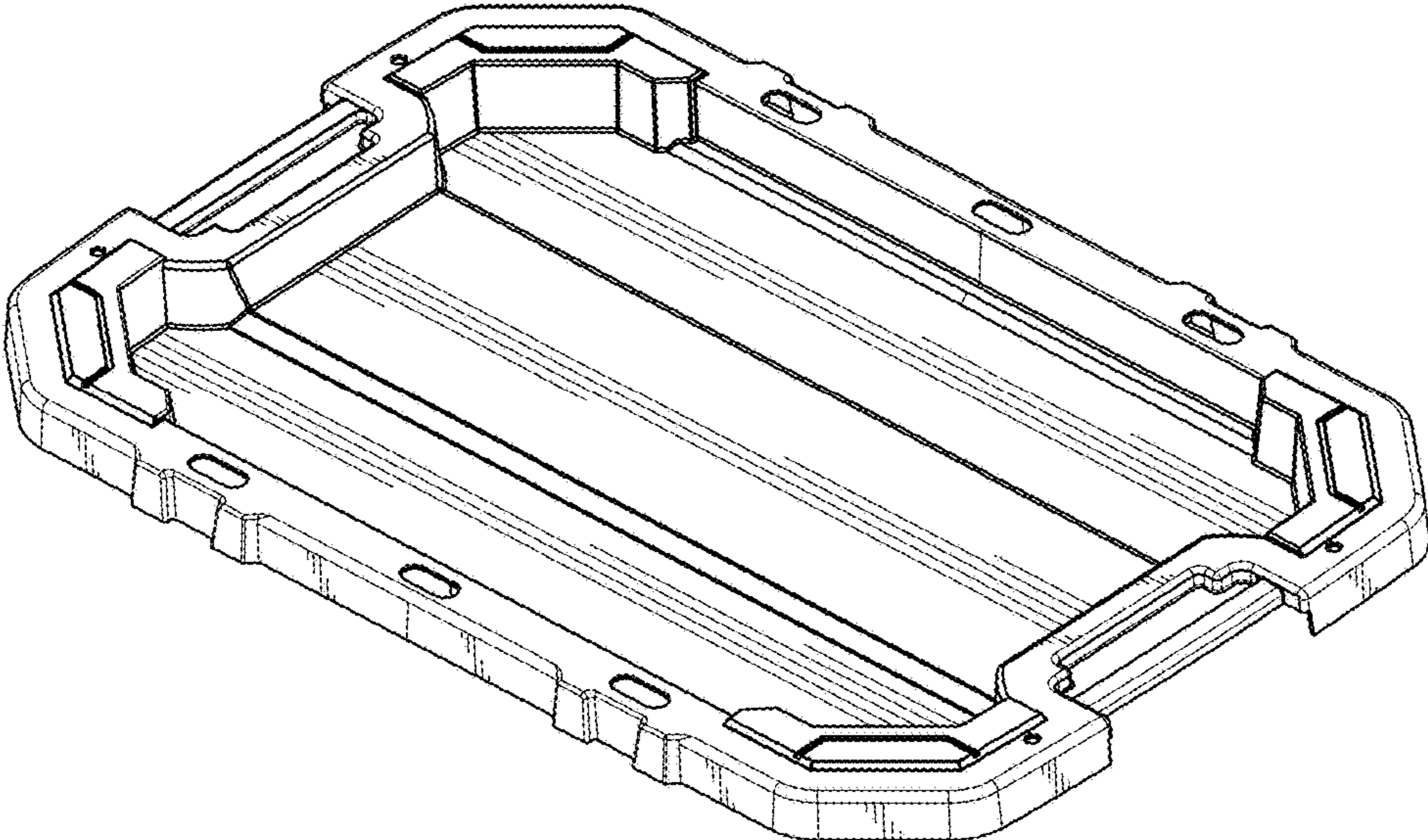


FIG. 1

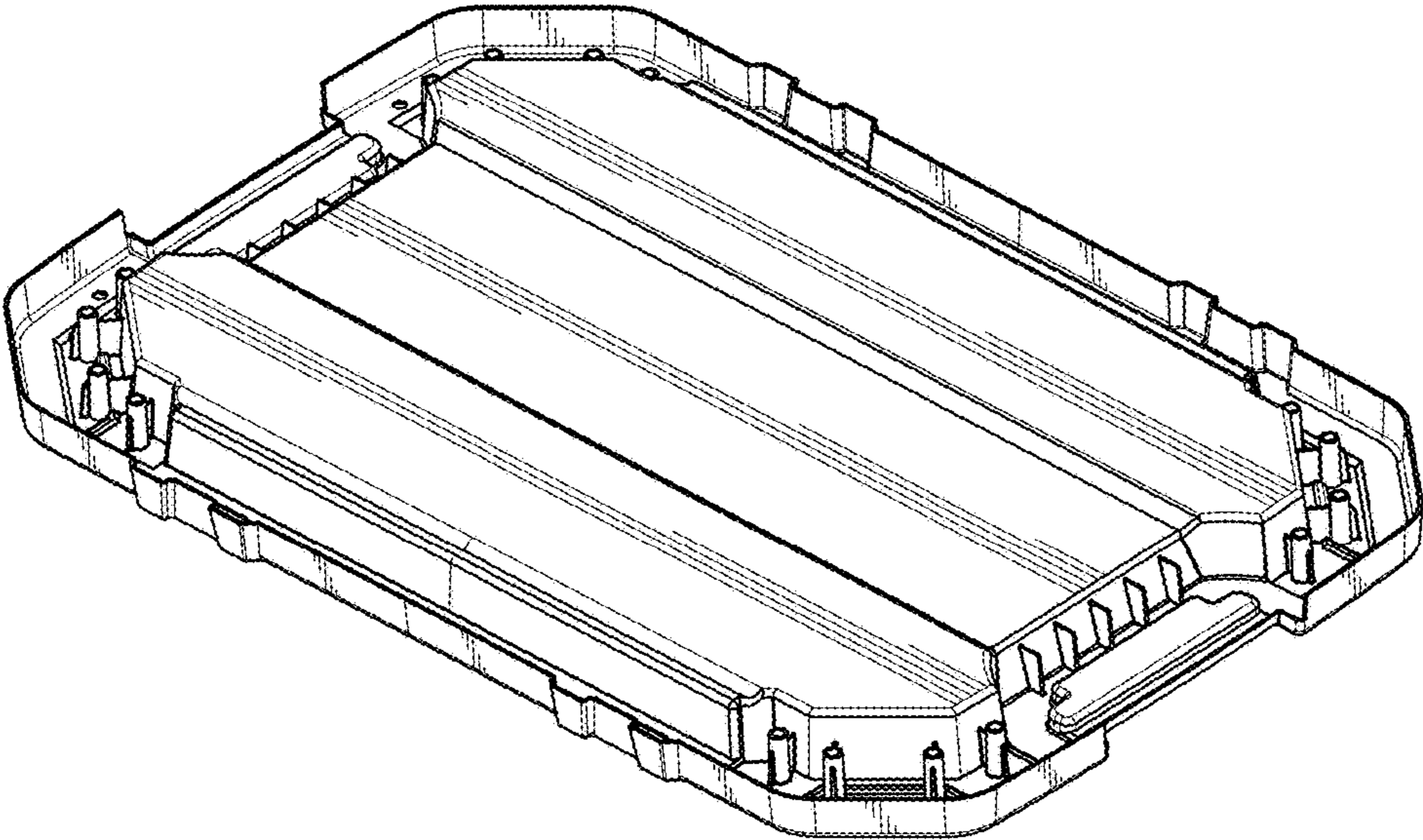


FIG. 2

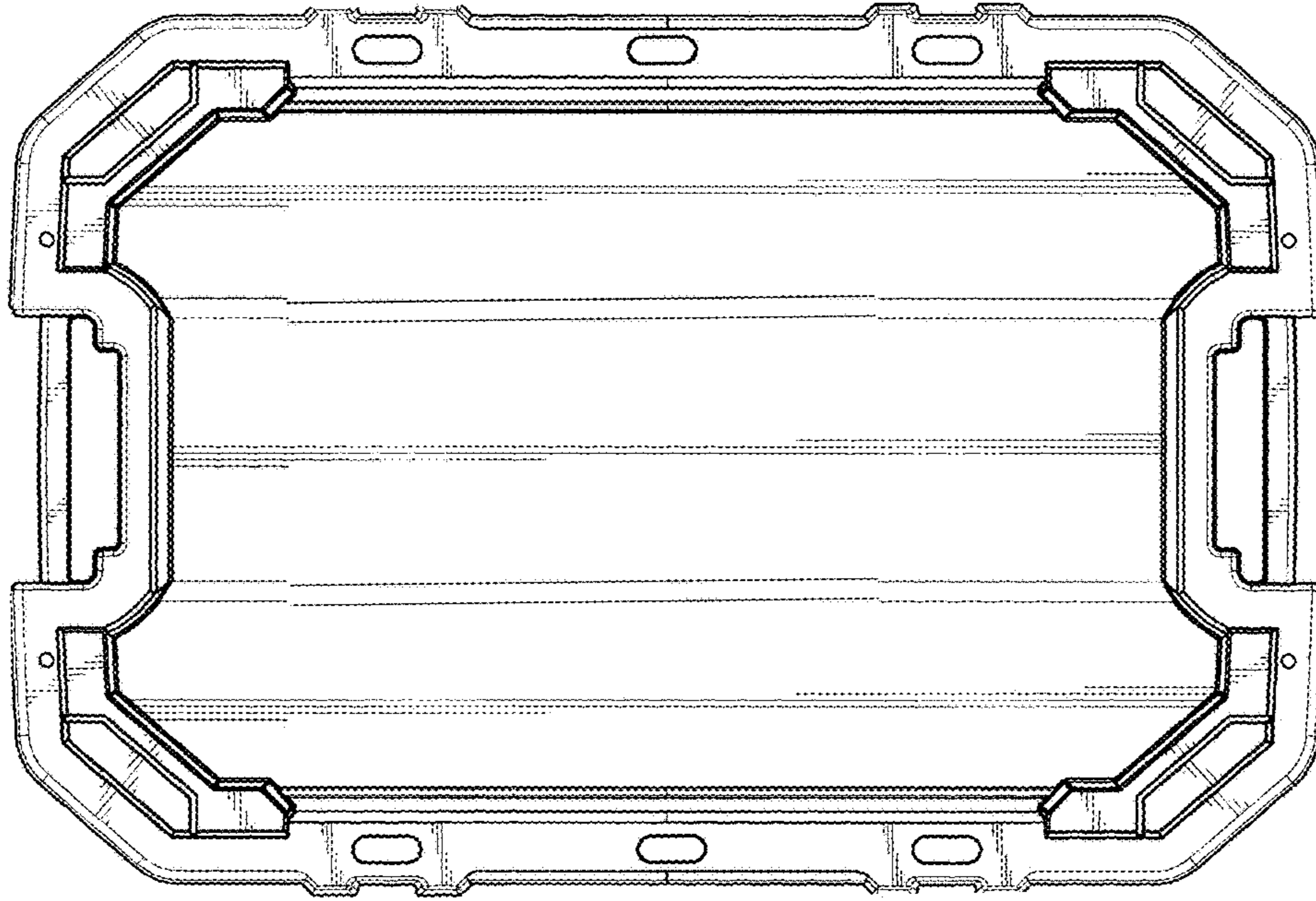


FIG. 3

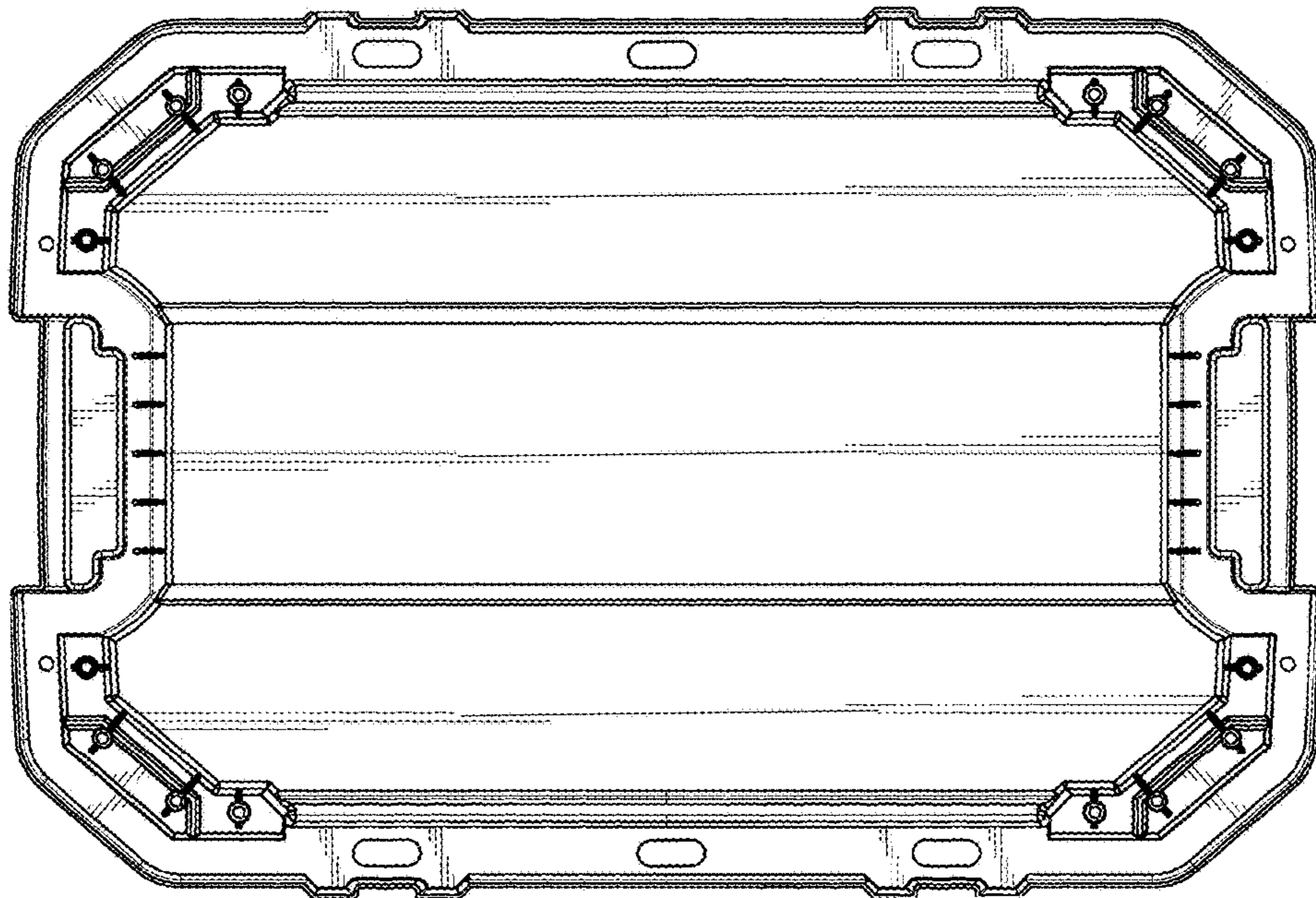


FIG. 4

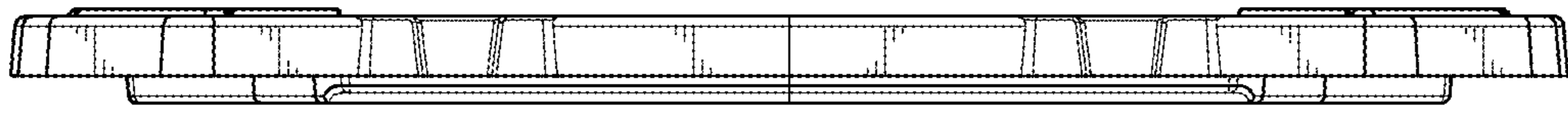


FIG. 5

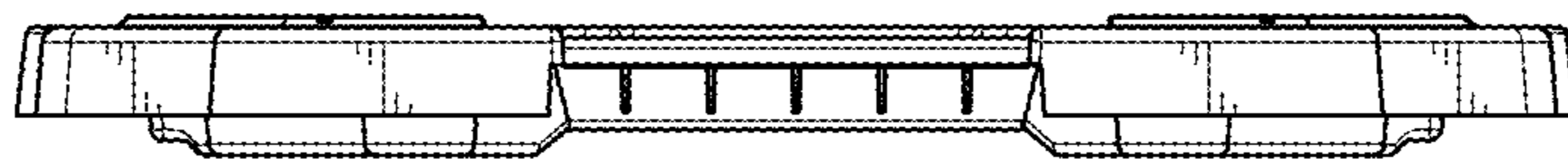


FIG. 6