



US00D836913S

(12) **United States Design Patent**  
**Wahl**

(10) **Patent No.:** **US D836,913 S**

(45) **Date of Patent:** **\*\* Jan. 1, 2019**

(54) **PROTECTIVE COVER FOR A HANDBAG**

D723,267 S \* 3/2015 Basha ..... D3/232  
D776,431 S \* 1/2017 Braendle ..... D3/318

(71) Applicant: **Batnut Holding AS**, Mjølkeråen (NO)

\* cited by examiner

(72) Inventor: **Christianne Wahl**, New York, NY (US)

*Primary Examiner* — Holly H Baynham

(73) Assignee: **Batnut Holding AS**, Mjølkeråen (NO)

(74) *Attorney, Agent, or Firm* — Abelman, Frayne & Schwab

(\*\*) Term: **15 Years**

(21) Appl. No.: **29/618,230**

(22) Filed: **Sep. 20, 2017**

(57) **CLAIM**

(30) **Foreign Application Priority Data**

The ornamental design for a protective cover for a handbag, as shown and described.

Mar. 20, 2017 (NO) ..... 20170233

(51) **LOC (11) Cl.** ..... **03-01**

(52) **U.S. Cl.**

USPC ..... **D3/318**

(58) **Field of Classification Search**

USPC ..... D3/232–233, 240–243, 245–246, 318

CPC ..... A45C 2003/007; A45C 3/08; A45C 5/00;

A45C 7/00; A45C 9/00; A45C 11/20;

A45C 1/024

See application file for complete search history.

(56) **References Cited**

**U.S. PATENT DOCUMENTS**

D292,846 S \* 11/1987 Kim ..... D3/246

D438,375 S \* 3/2001 Terry ..... D3/233

**DESCRIPTION**

FIG. 1 is a front, right and top perspective view of the protective cover for a handbag showing the new design;

FIG. 2 is a front elevation view thereof, the rear elevation view being a mirrored image thereof;

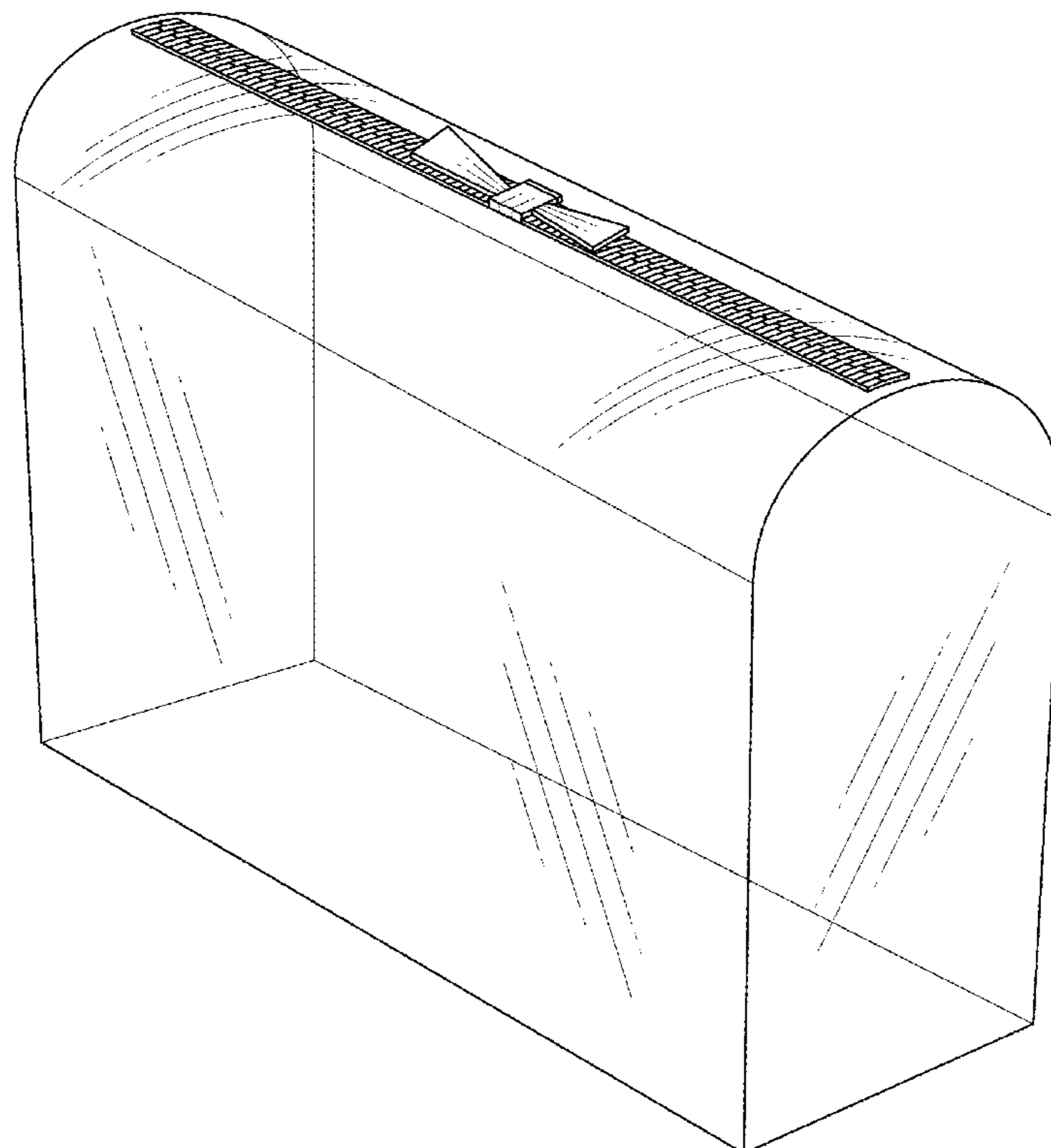
FIG. 3 is a right side elevation view thereof, the left side elevation view being a mirrored image thereof;

FIG. 4 is a top plan view thereof; and,

FIG. 5 is a bottom view thereof.

The front and rear panels, left and right panels, and bottom panel of the protective cover for a handbag are made of a transparent material.

**1 Claim, 3 Drawing Sheets**



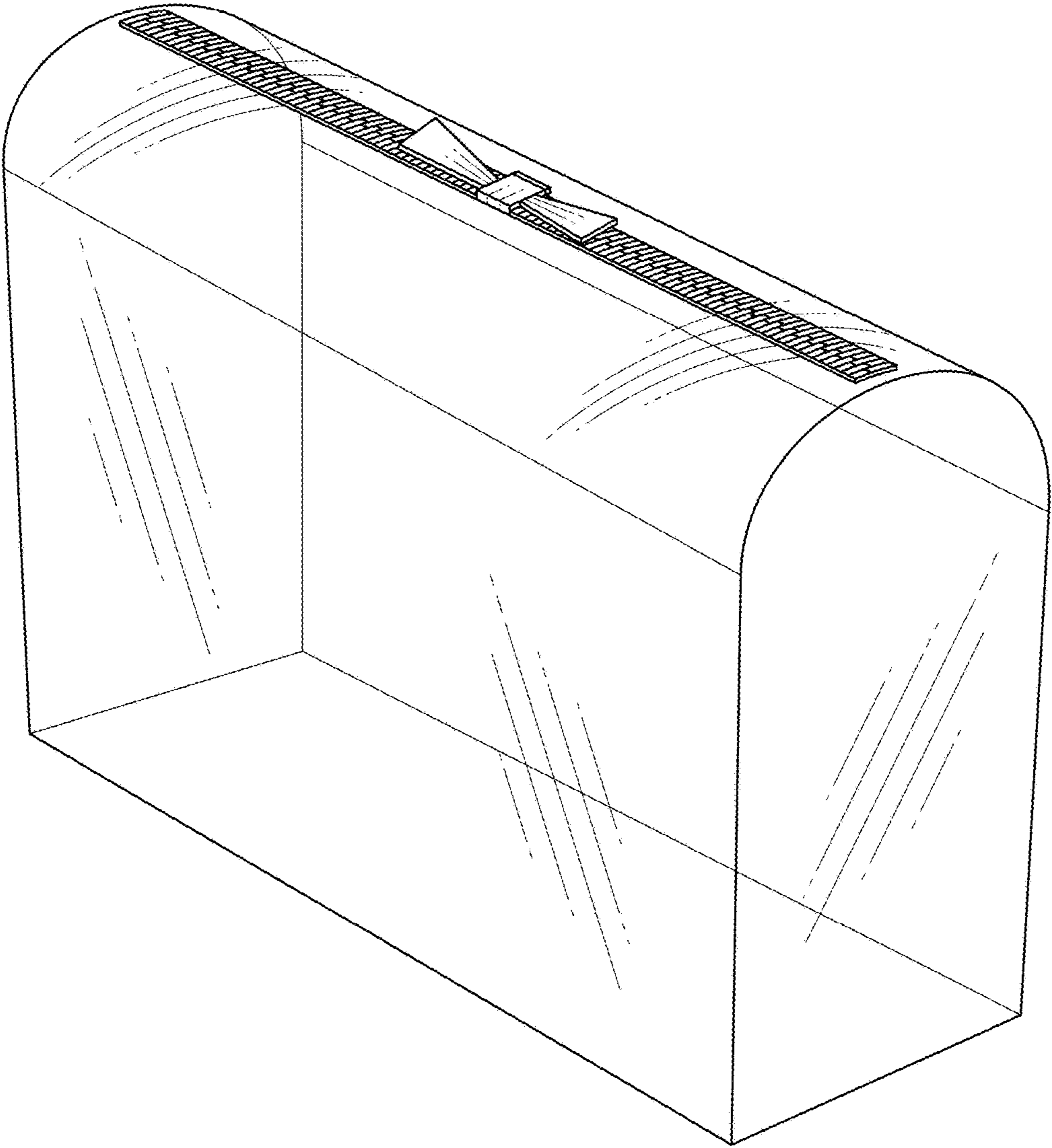


FIG. 1

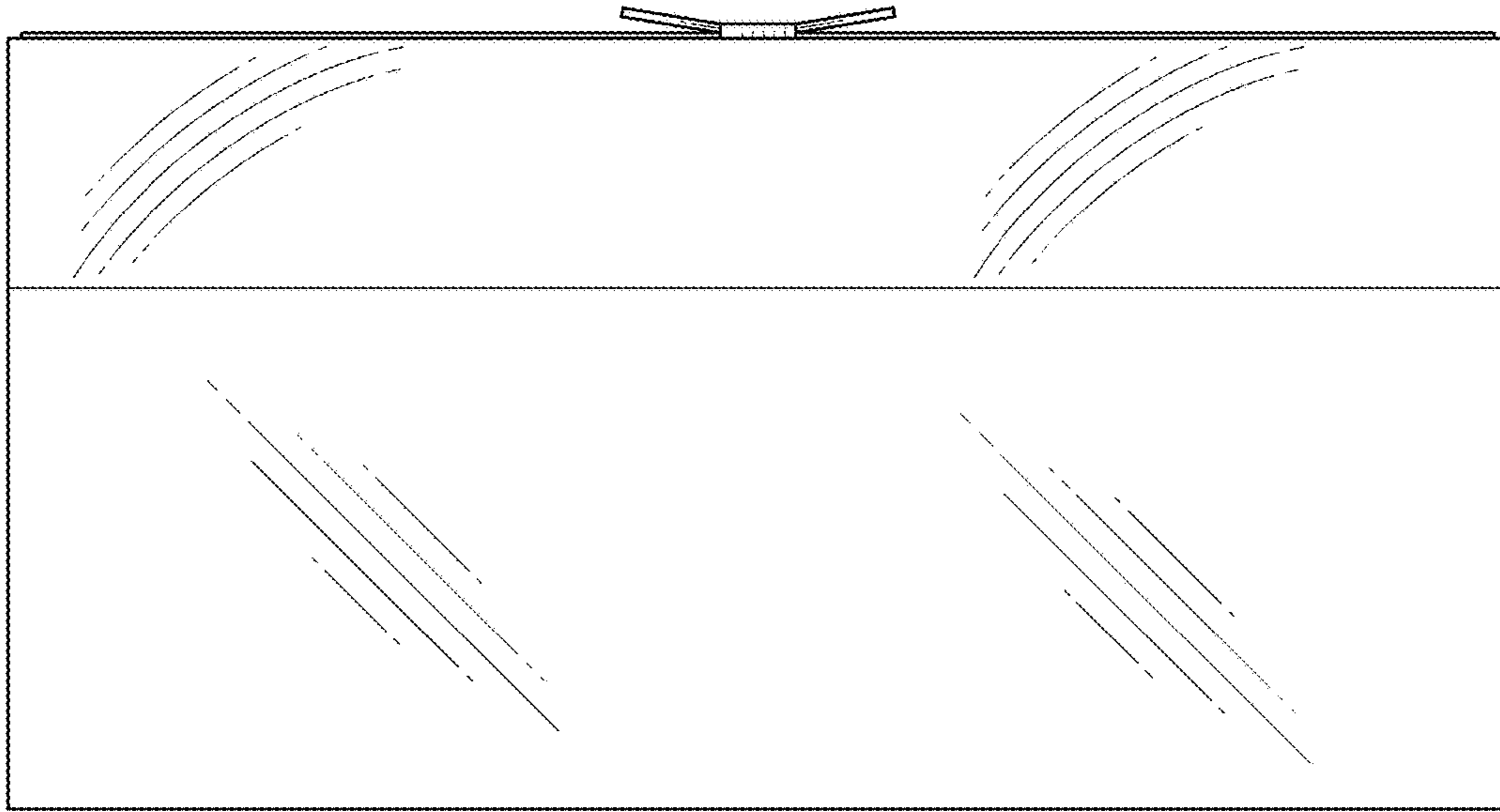


FIG. 2

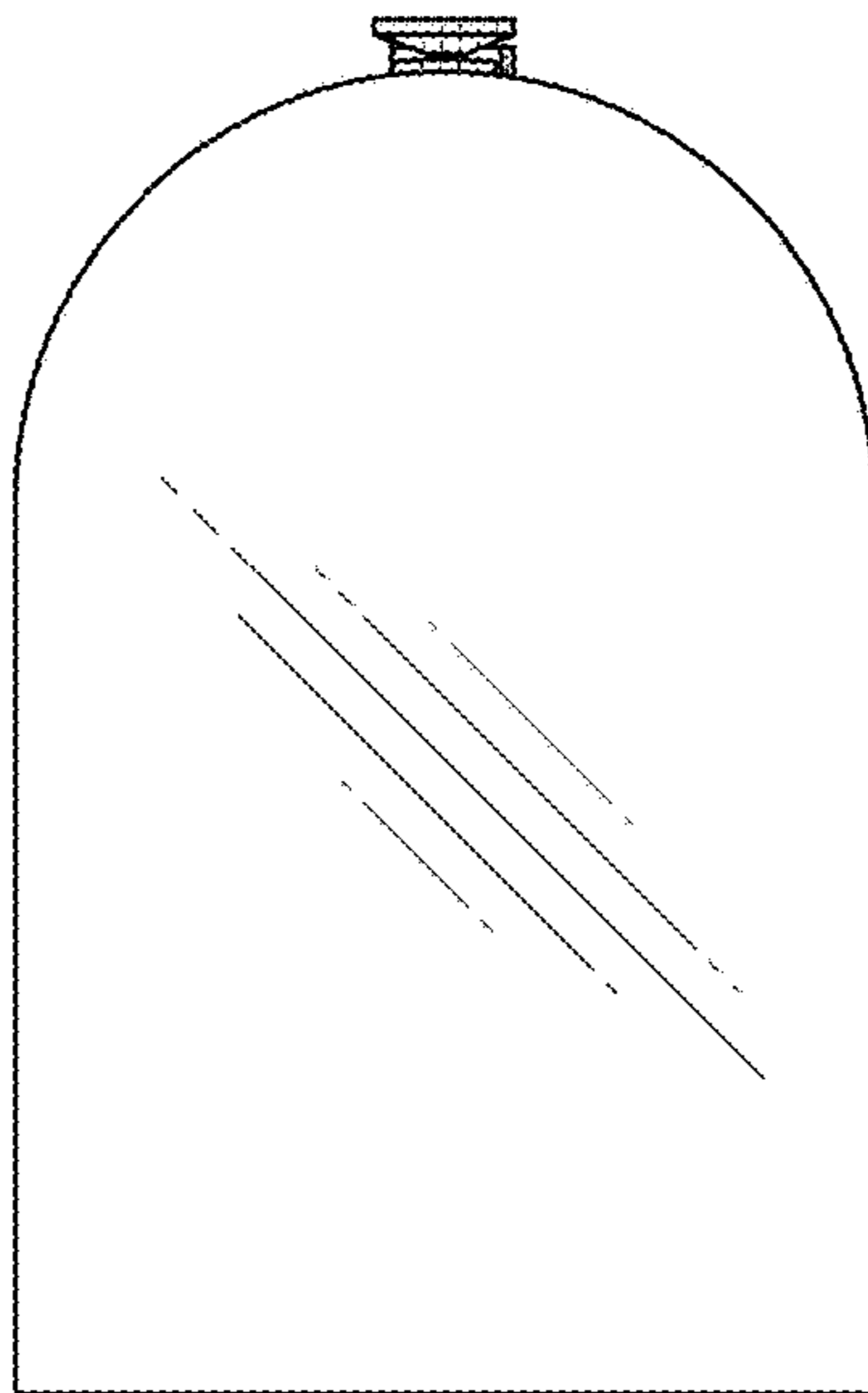


FIG. 3

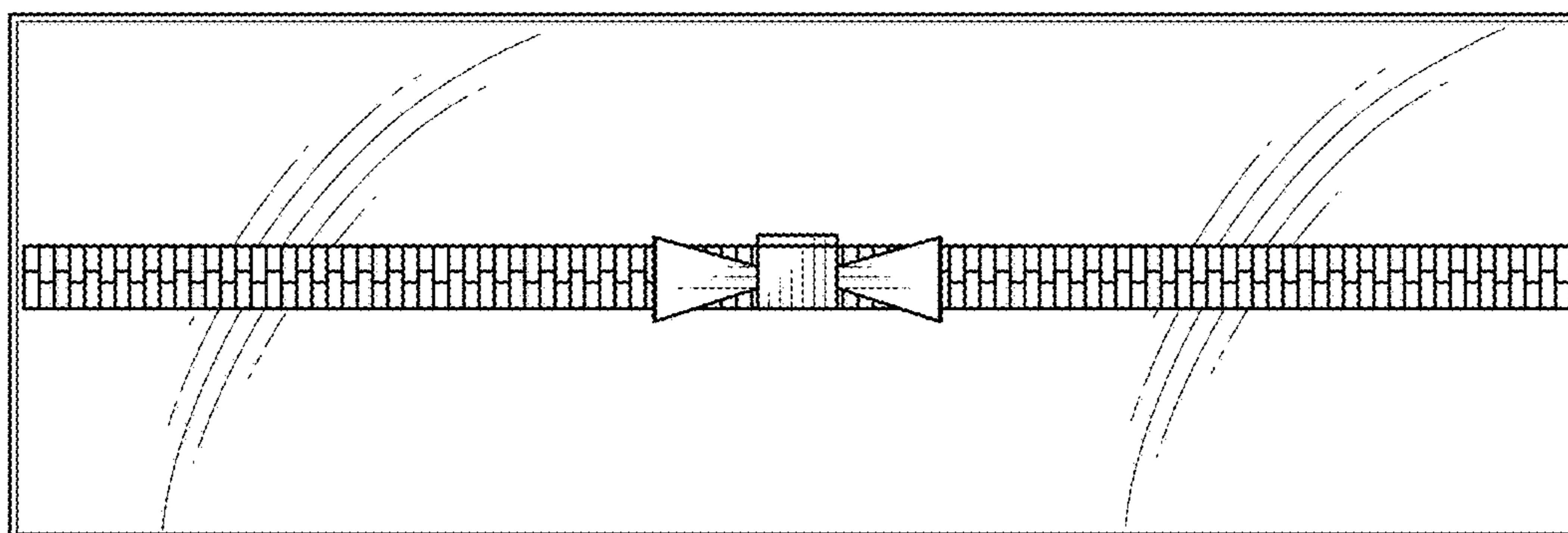


FIG. 4

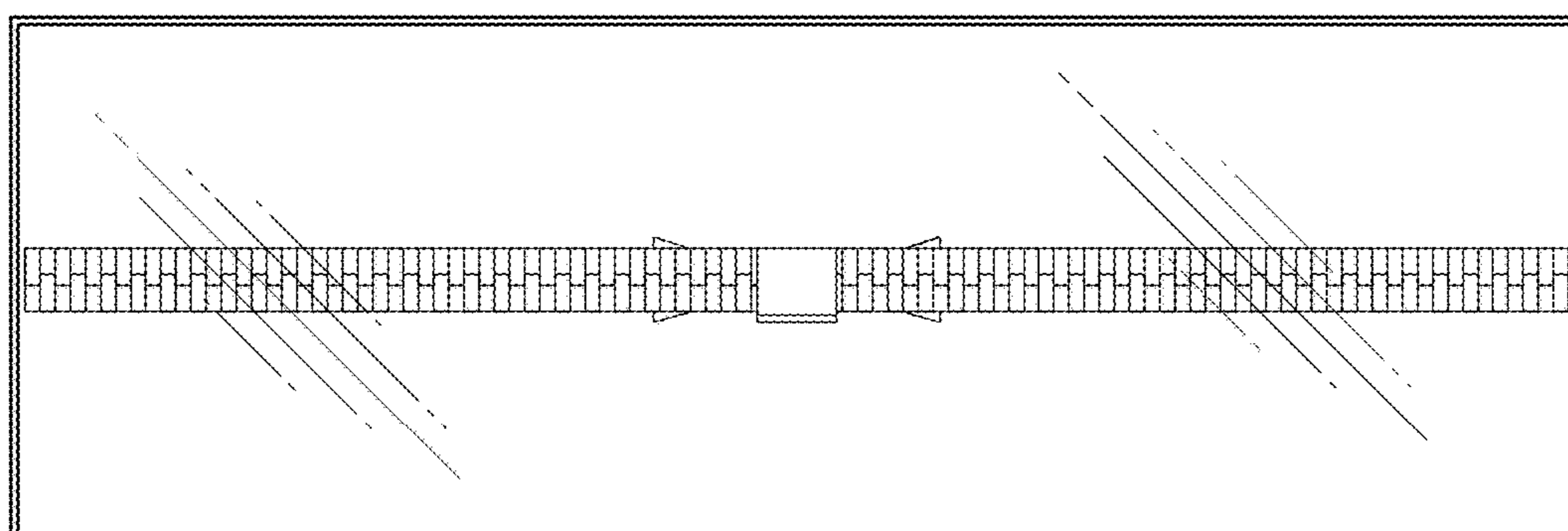


FIG. 5