



US00D836911S

(12) **United States Design Patent** (10) **Patent No.:** **US D836,911 S**  
**Soto-Camacho et al.** (45) **Date of Patent:** **\*\* Jan. 1, 2019**

(54) **STORAGE BIN**

(71) Applicant: **mimish, Inc.**, Brooklyn, NY (US)

(72) Inventors: **Andrea Soto-Camacho**, Brooklyn, NY (US); **Jennifer LaForest**, Brooklyn, NY (US)

(73) Assignee: **mimish, Inc.**, Brooklyn, NY (US)

(\*\*) Term: **15 Years**

(21) Appl. No.: **29/625,491**

(22) Filed: **Nov. 9, 2017**

(51) **LOC (11) Cl.** ..... **03-01**

(52) **U.S. Cl.**  
 USPC ..... **D3/304**

(58) **Field of Classification Search**  
 USPC ..... D3/304, 305, 306, 307-309, 315-316;  
 D32/36-37; D34/12, 14  
 CPC ..... B65D 1/38; B65D 11/00; B65D 11/20;  
 B65D 1/00; B65D 1/22; B65D 63/18  
 See application file for complete search history.

(56) **References Cited**

U.S. PATENT DOCUMENTS

D256,423	S	*	8/1980	Bacskay	.....	220/908
D469,229	S	*	1/2003	Melkert	.....	D32/37
D532,567	S	*	11/2006	Yang	.....	D32/37
D589,219	S	*	3/2009	Knox	.....	D32/31
D675,442	S	*	2/2013	Hawkins	.....	D3/304
D690,891	S	*	10/2013	Barre	.....	D32/37

8,573,429	B2	*	11/2013	Hawkins	.....	B65D 25/34 211/128.1
D699,411	S	*	2/2014	Duvigneau	.....	D32/37
D706,508	S	*	6/2014	Duvigneau	.....	D32/37
D761,509	S	*	7/2016	Cohen	.....	D32/37
D785,885	S	*	5/2017	Jensen	.....	D32/37
D785,886	S	*	5/2017	Jensen	.....	D32/37
D802,925	S	*	11/2017	Cassel	.....	D3/304
D814,726	S	*	4/2018	Jensen	.....	D32/37
D824,126	S	*	7/2018	Barre	.....	D06F 95/004 D32/37

\* cited by examiner

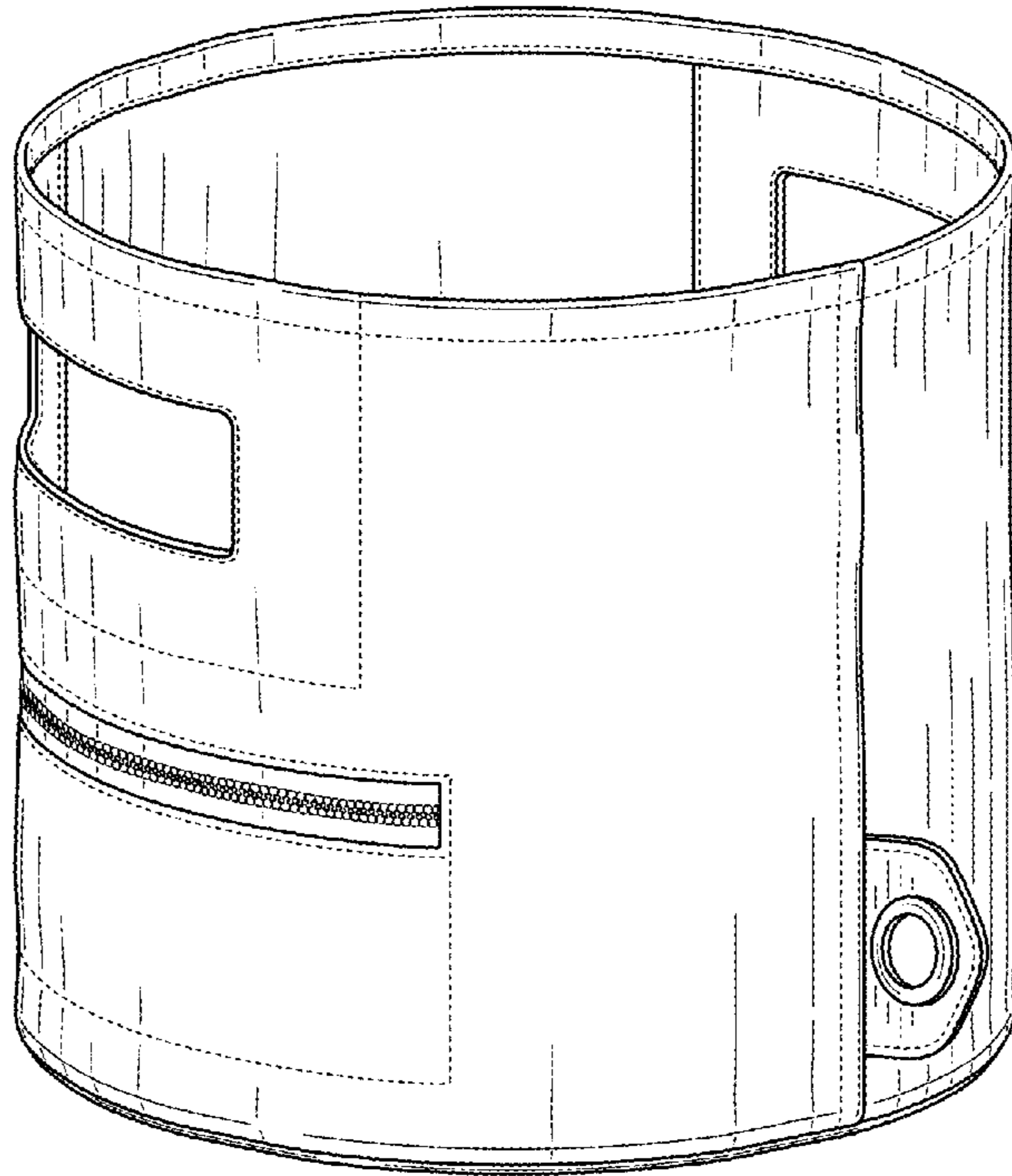
*Primary Examiner* — Kelley A Donnelly  
 (74) *Attorney, Agent, or Firm* — Sheppard, Mullin, Richter & Hampton LLP

(57) **CLAIM**  
 We claim the ornamental design for a storage bin, as shown and described.

**DESCRIPTION**

FIG. 1 is a right perspective view of a first embodiment of a storage bin in accordance with our new design.  
 FIG. 2 is a front elevational view of the storage bin of FIG. 1.  
 FIG. 3 is rear elevational view of the storage bin of FIG. 1.  
 FIG. 4 is a right side elevational view of the storage bin of FIG. 1.  
 FIG. 5 is a left side elevational view of the storage bin of FIG. 1.  
 FIG. 6 is a top plan view of the storage bin of FIG. 1; and,  
 FIG. 7 is a bottom plan view of the storage bin of FIG. 1.

**1 Claim, 4 Drawing Sheets**



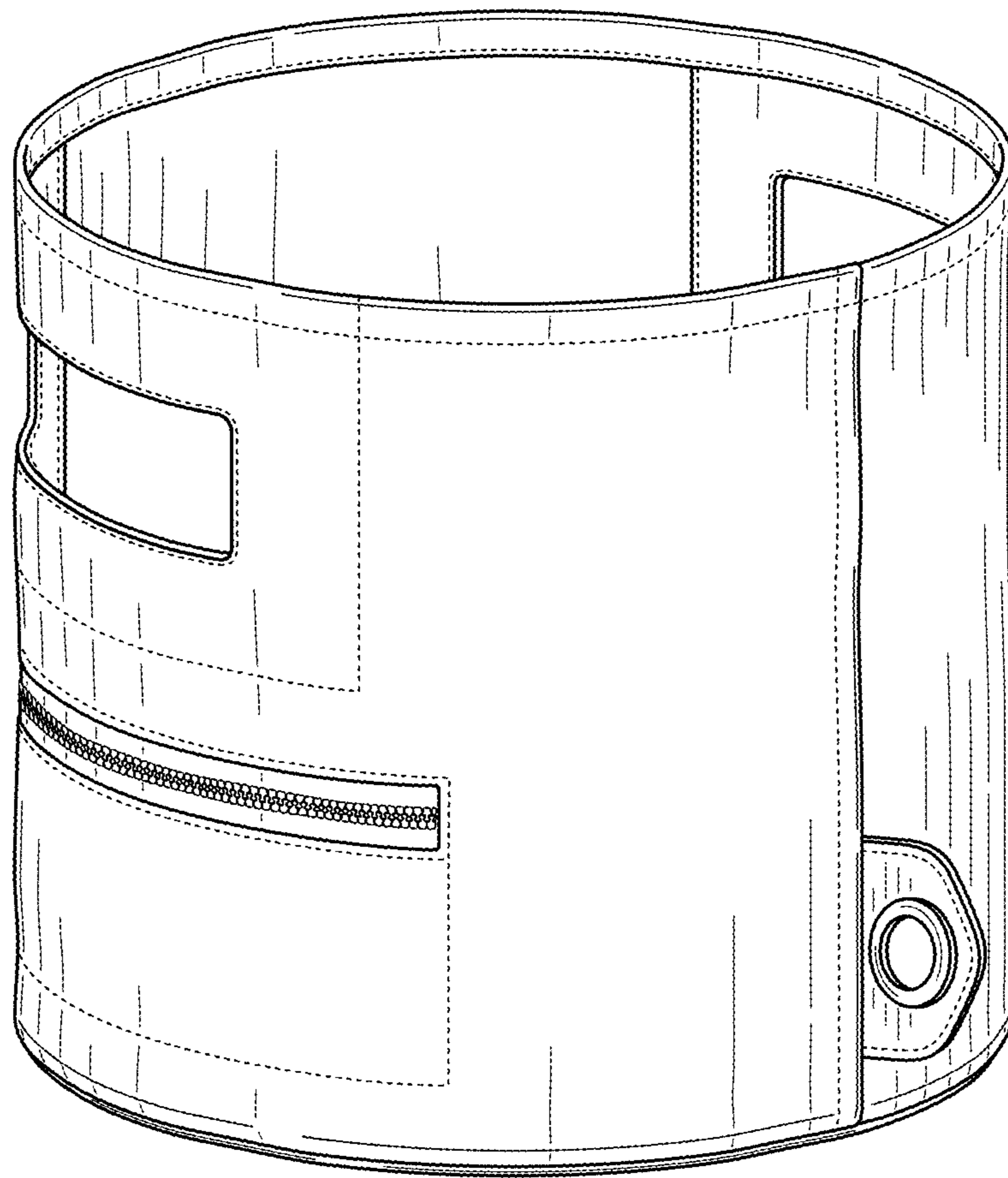


FIG. 1

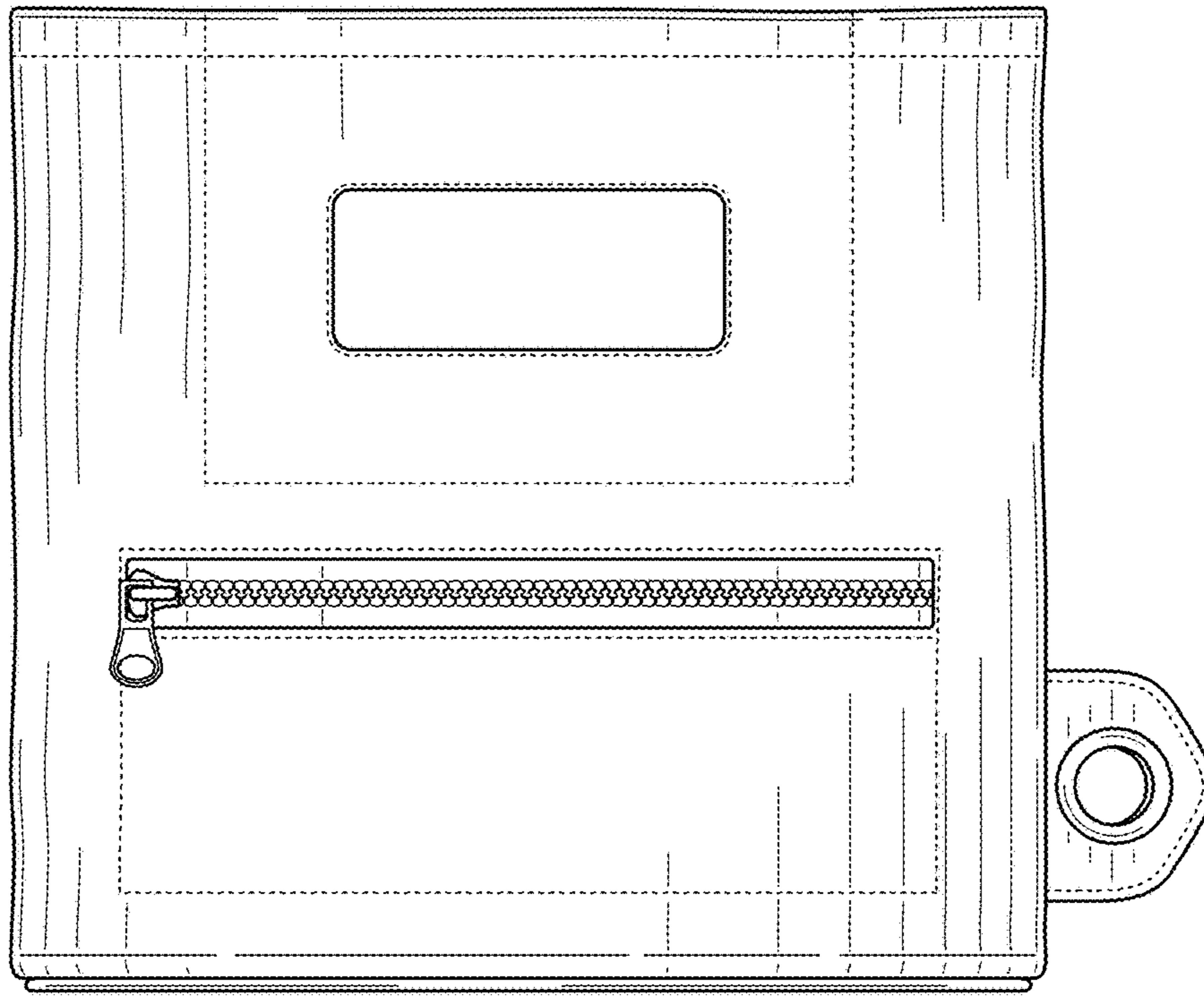


FIG. 2

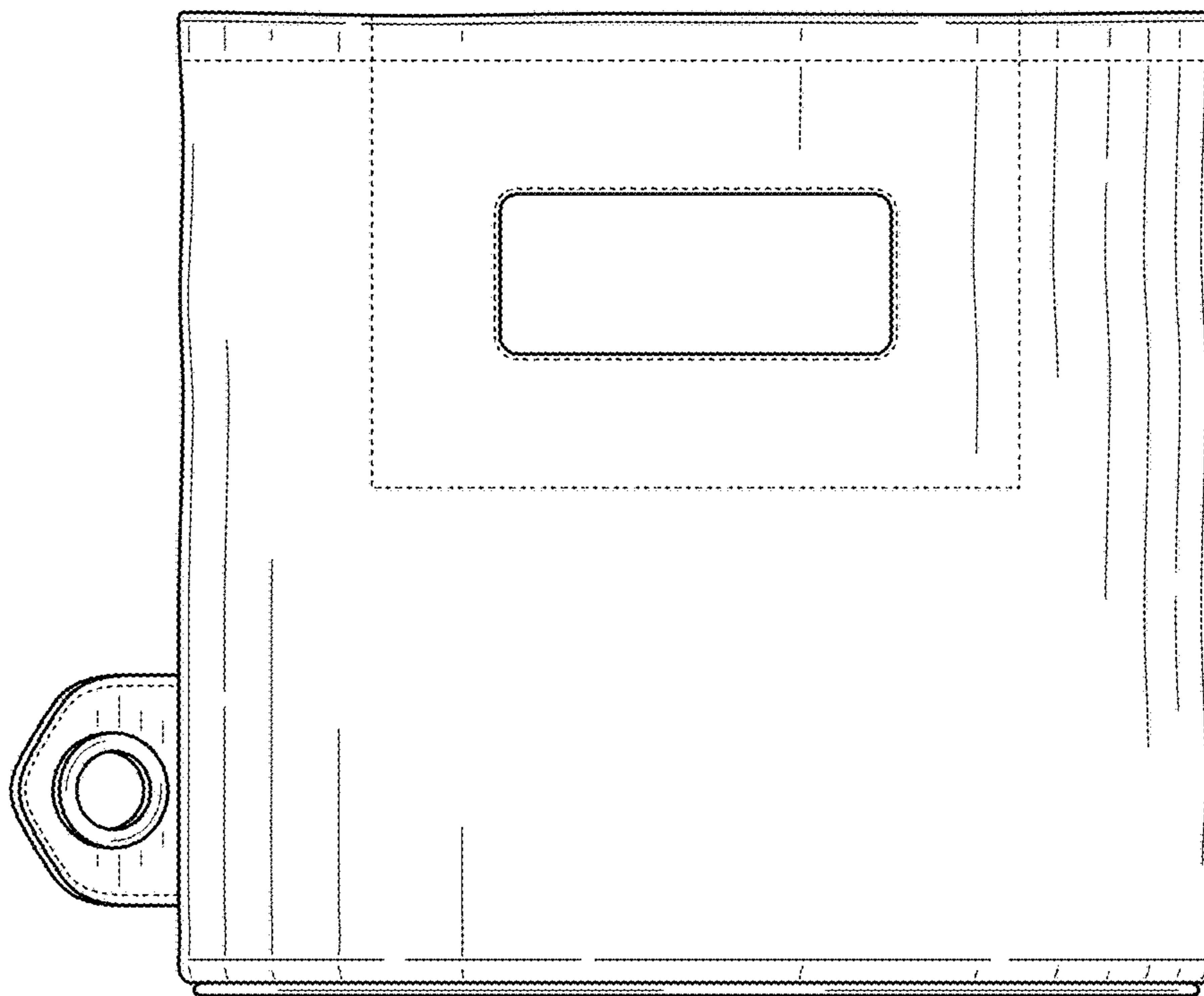


FIG. 3

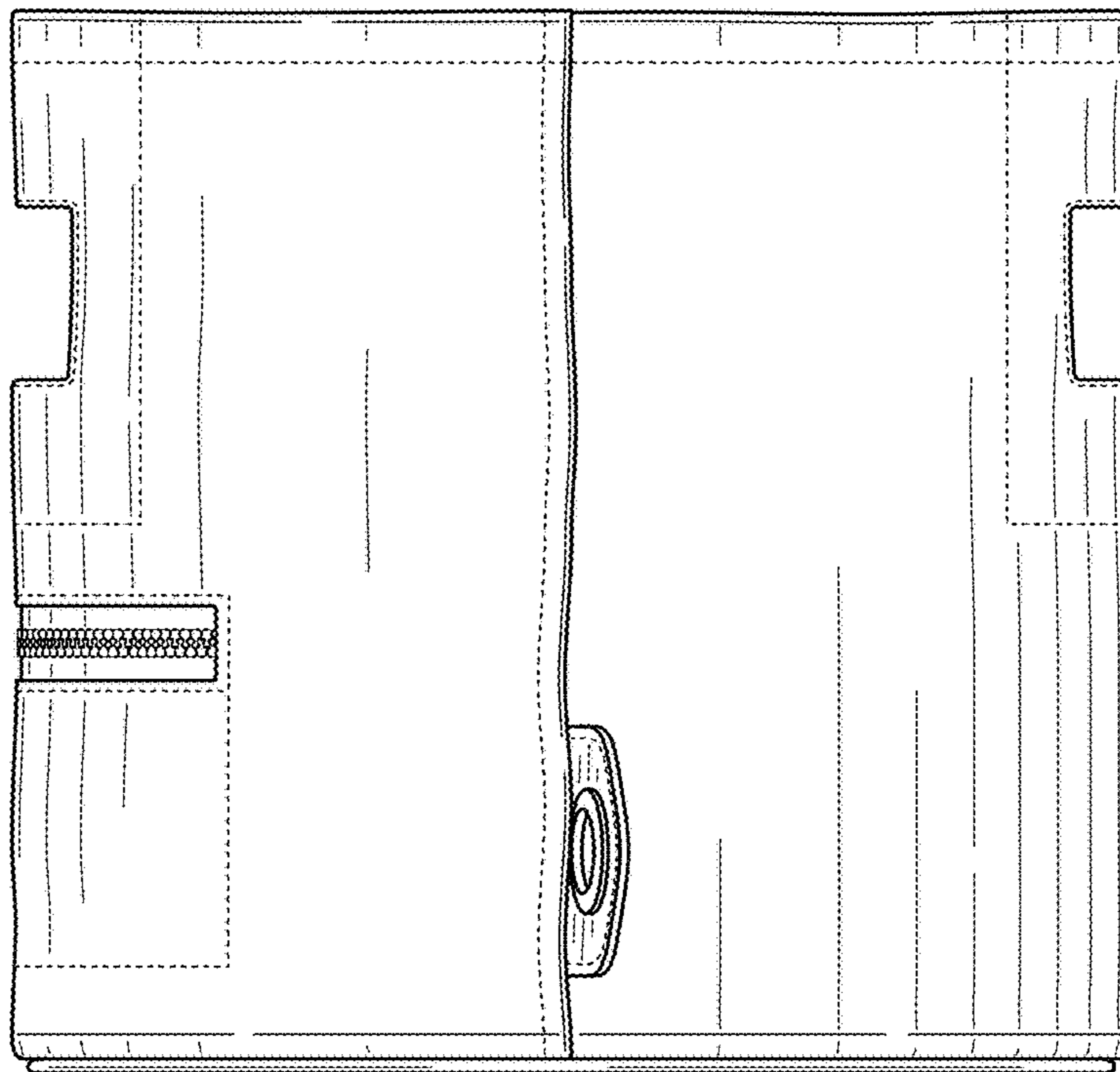


FIG. 4

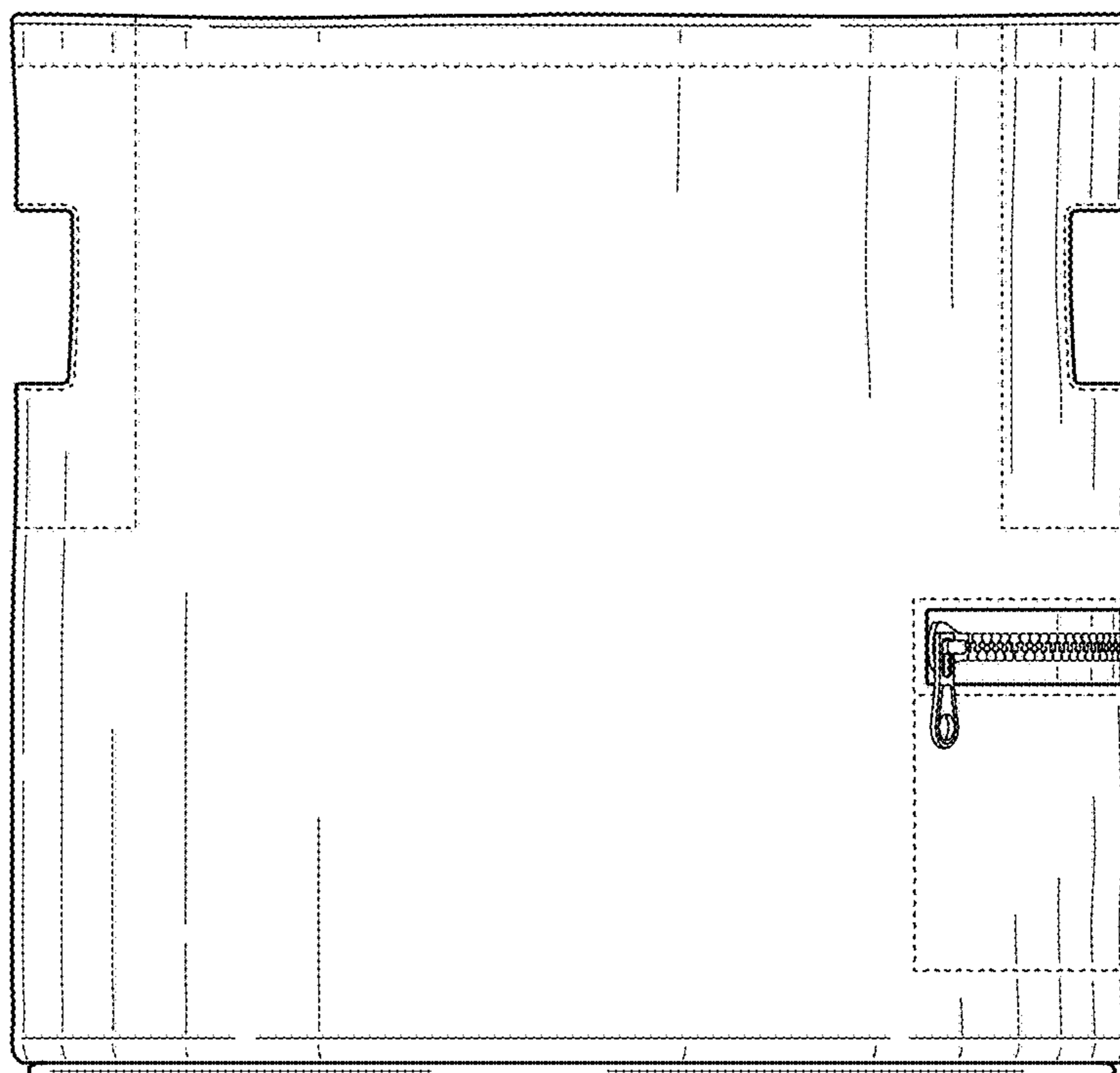


FIG. 5

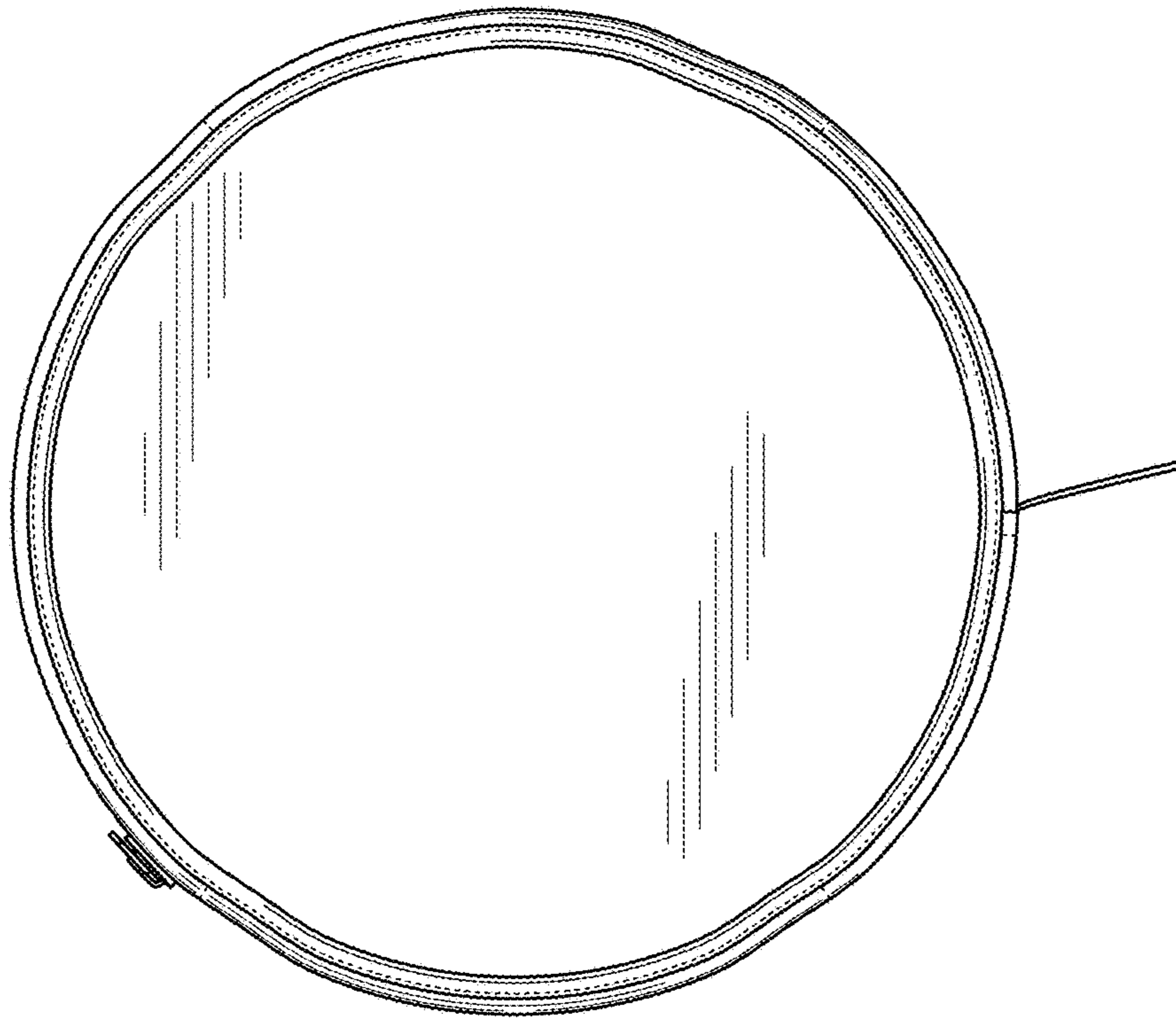


FIG. 6

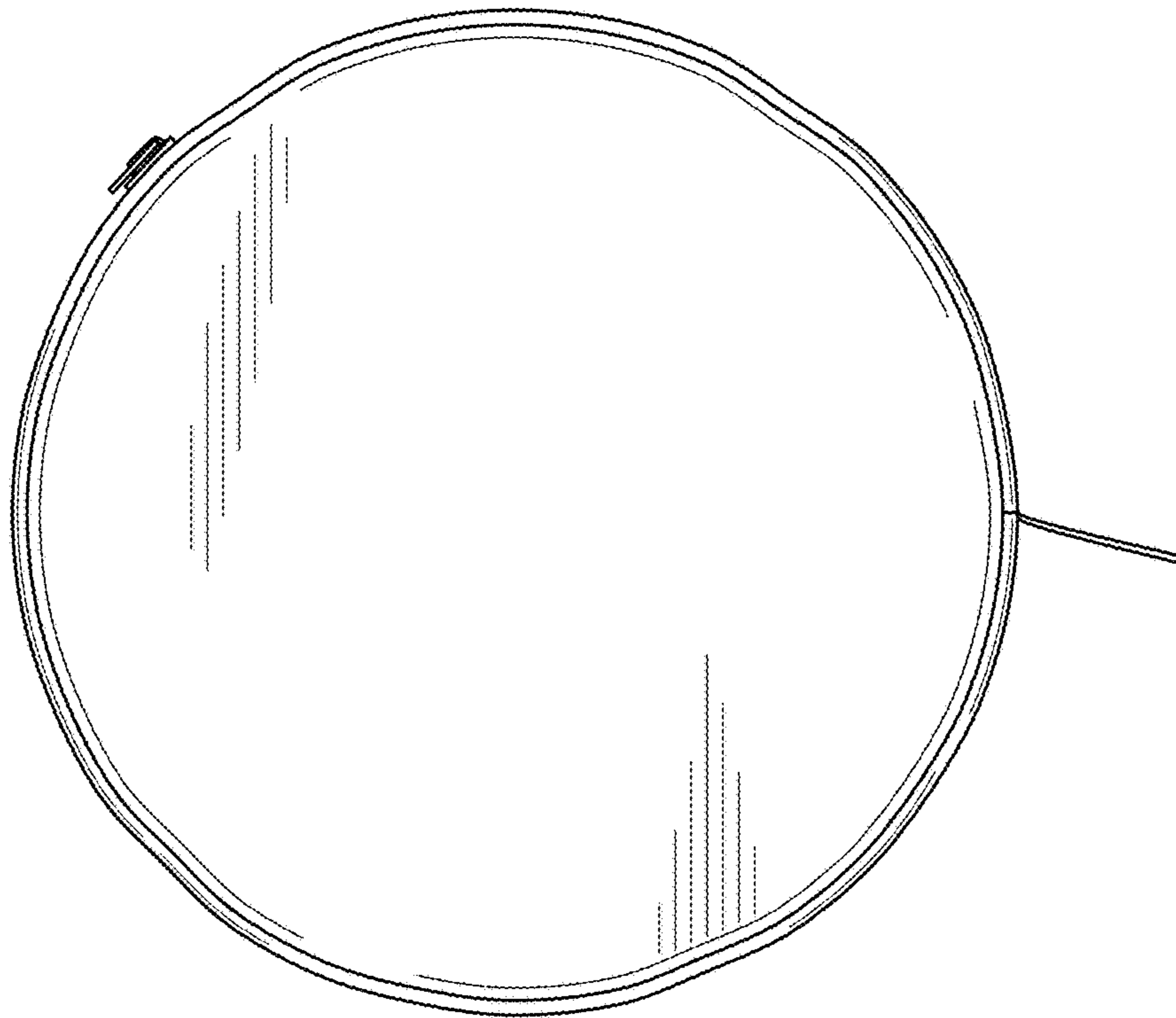


FIG. 7