



US00D836910S

(12) **United States Design Patent** (10) **Patent No.:** **US D836,910 S**
Spiegel et al. (45) **Date of Patent:** **** Jan. 1, 2019**

(54) **CASE FOR ENCAPSULATING A ROLL OF COINS**

(71) Applicant: **Numismatic Guaranty Corporation (NGC)**, Sarasota, FL (US)

(72) Inventors: **Max Spiegel**, Sarasota, FL (US); **Joseph R Yanarella, Jr.**, Wellington, FL (US); **Stephen Lam**, Hong Kong (CN)

(**) Term: **15 Years**

(21) Appl. No.: **29/579,780**

(22) Filed: **Oct. 3, 2016**

(51) **LOC (11) Cl.** **03-01**

(52) **U.S. Cl.**

USPC **D3/302**

(58) **Field of Classification Search**

USPC D3/201, 272, 273, 302, 315, 316, 903;
D9/414, 424, 432; D6/663, 667, 672,
D6/675, 675.3, 682, 683, 512, 678, 678.2;
D7/612, 703, 408; D99/34, 35, 28;
215/26-28; 312/114; 220/62.22;
229/904.1, 406; 206/0.8, 0.81, 0.815,
206/0.82, 586, 807, 811

CPC .. B65D 21/0222; B65D 1/24; B65D 81/3261;
B65D 1/36; B65D 81/3294

See application file for complete search history.

(56) **References Cited**

U.S. PATENT DOCUMENTS

D212,413 S * 10/1968 Lacoste D9/560
D244,085 S * 4/1977 Giddings D9/432
D287,821 S * 1/1987 Holewinski D9/414
D332,917 S * 2/1993 McDevitt D9/423
D340,154 S * 10/1993 Endelman D6/659
D354,831 S * 1/1995 Anderson D99/35
D426,087 S * 6/2000 Walls, Jr. D17/24

(Continued)

OTHER PUBLICATIONS

NGC Releases Second Generation of Certified Coins, available Feb. 23, 2017, [online], [site visited Jan. 18, 2018]. Available from internet, <URL: <http://www.coinnews.net/wp-content/uploads/2017/02/NGC-Certified-Roll-hologram.jpg> (Year: 2017).*

(Continued)

Primary Examiner — Cathron C Brooks

Assistant Examiner — W. A. Teddy Falloway

(74) *Attorney, Agent, or Firm* — Patent GC LLC;
Alexander Franco

(57) **CLAIM**

The ornamental design for a case for encapsulating a roll of coins, as shown and described.

DESCRIPTION

FIG. 1 is a perspective view of the case for encapsulating a roll of coins.

FIG. 2 is an elevation view of a back side of the case showing a hologram on the surface of the back side. An encircled portion of the case is shown in an enlarged view in FIG. 8.

FIG. 3 is an elevation view of the front side of the case showing a certification label secured along an interior wall.

FIG. 4 is an elevation view of the left side of the case.

FIG. 5 is an elevation view of the right side of the case.

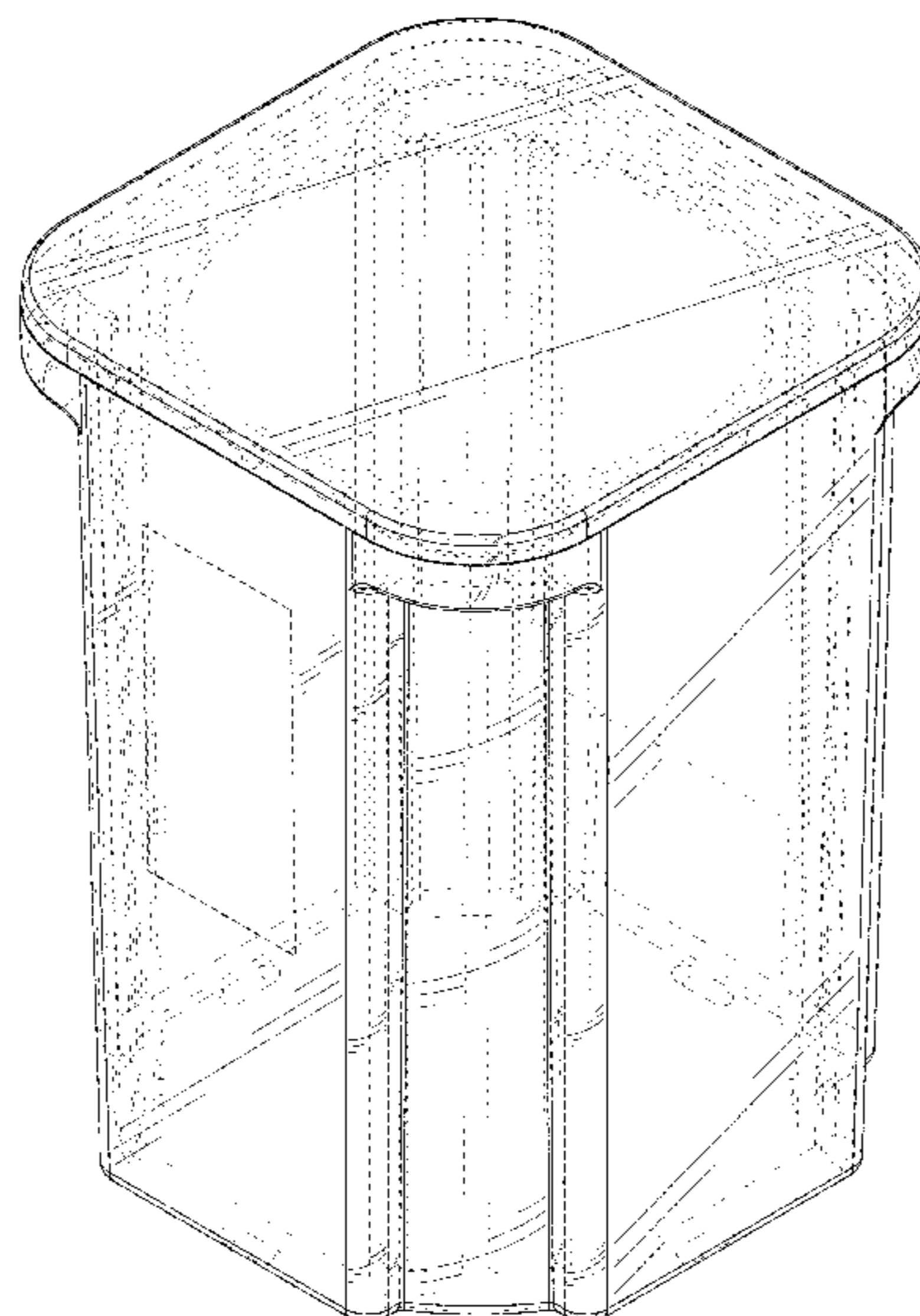
FIG. 6 is a plan view of the top side of the case.

FIG. 7 is a plan view of the bottom side of the case; and,

FIG. 8 is an enlarged view of the encircled portion of FIG. 2.

In the drawings, the broken lines showing a rectangular hologram on the back side of the case and a rectangular certification label on the front side of the case illustrate environmental structure. All other broken lines illustrate portions of the case. The broken lines form no part of the claimed design.

1 Claim, 8 Drawing Sheets



(56)

References Cited

U.S. PATENT DOCUMENTS

D430,981 S * 9/2000 Walls, Jr. D6/661
 D455,335 S * 4/2002 Cort D8/374
 D461,654 S * 8/2002 Tamburello D6/661
 D462,294 S * 9/2002 Walsh D11/143
 D474,046 S * 5/2003 Brown, III D6/661
 6,874,650 B2 * 4/2005 Welsh B65D 21/0222
 220/508
 D564,258 S * 3/2008 Palmer D6/675
 D610,448 S * 2/2010 Drozek D9/424
 D646,579 S * 10/2011 Rahe D9/560
 D669,777 S * 10/2012 Brown D9/424
 D680,858 S * 4/2013 Clark D9/414
 D696,051 S * 12/2013 Scatterday D6/680.2
 D696,110 S * 12/2013 Bergbohm D9/424
 D704,549 S * 5/2014 Liu D9/418
 D726,071 S * 4/2015 Aoyama D11/155
 D782,772 S * 3/2017 Crane D99/34
 D796,948 S * 9/2017 Lam D9/420

D801,808 S * 11/2017 Irimia D9/432
 D807,168 S * 1/2018 Bouveret D9/425
 2004/0118737 A1 * 6/2004 Welsh B65D 21/0222
 206/508
 2005/0092633 A1 * 5/2005 Baechle B65D 61/00
 206/320

OTHER PUBLICATIONS

Silver Krugerrands, available Mar. 26, 2017, [online], [site visited Jan. 18, 2018]. Available from internet, <URL: <http://www.silverbars.co.za/category/silver-coins/certified-roll-of-20-2017-south-africa-1-oz-silver-krugerrand/> (Year: 2017).*

“CoinLink7™ Coin Collecting News” available on <http://www.coinlink.com/News/whats-new/pcgs-announces-innovative-ro>, dated Mar. 27, 2008, 2 pages.

“NGC Certified Rolls” available on <https://www.ngccoin.com/coin-grading/holders/certified-rolls.aspx>, dated Jan. 31, 2015, 3 pages.

* cited by examiner

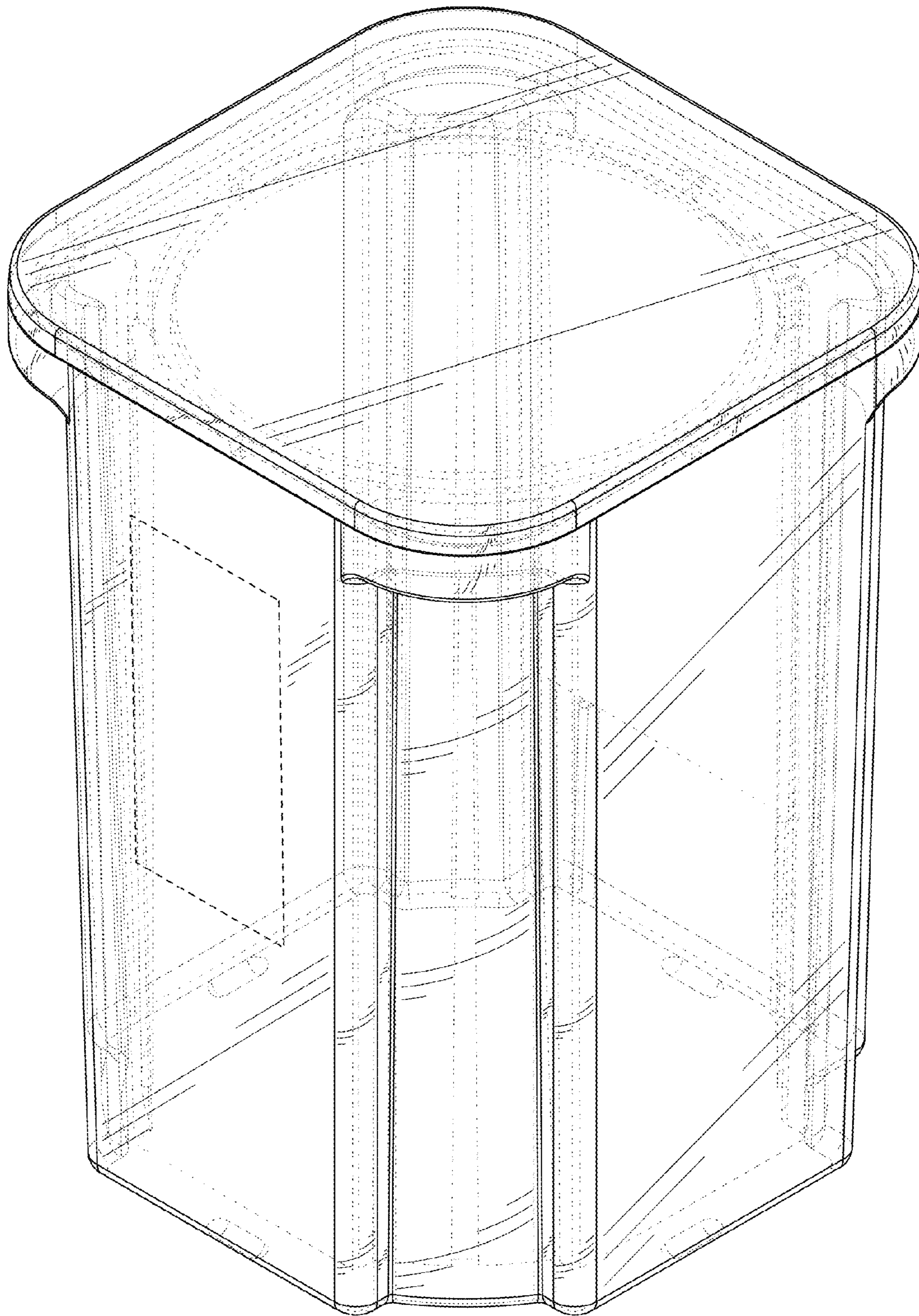


FIG. 1

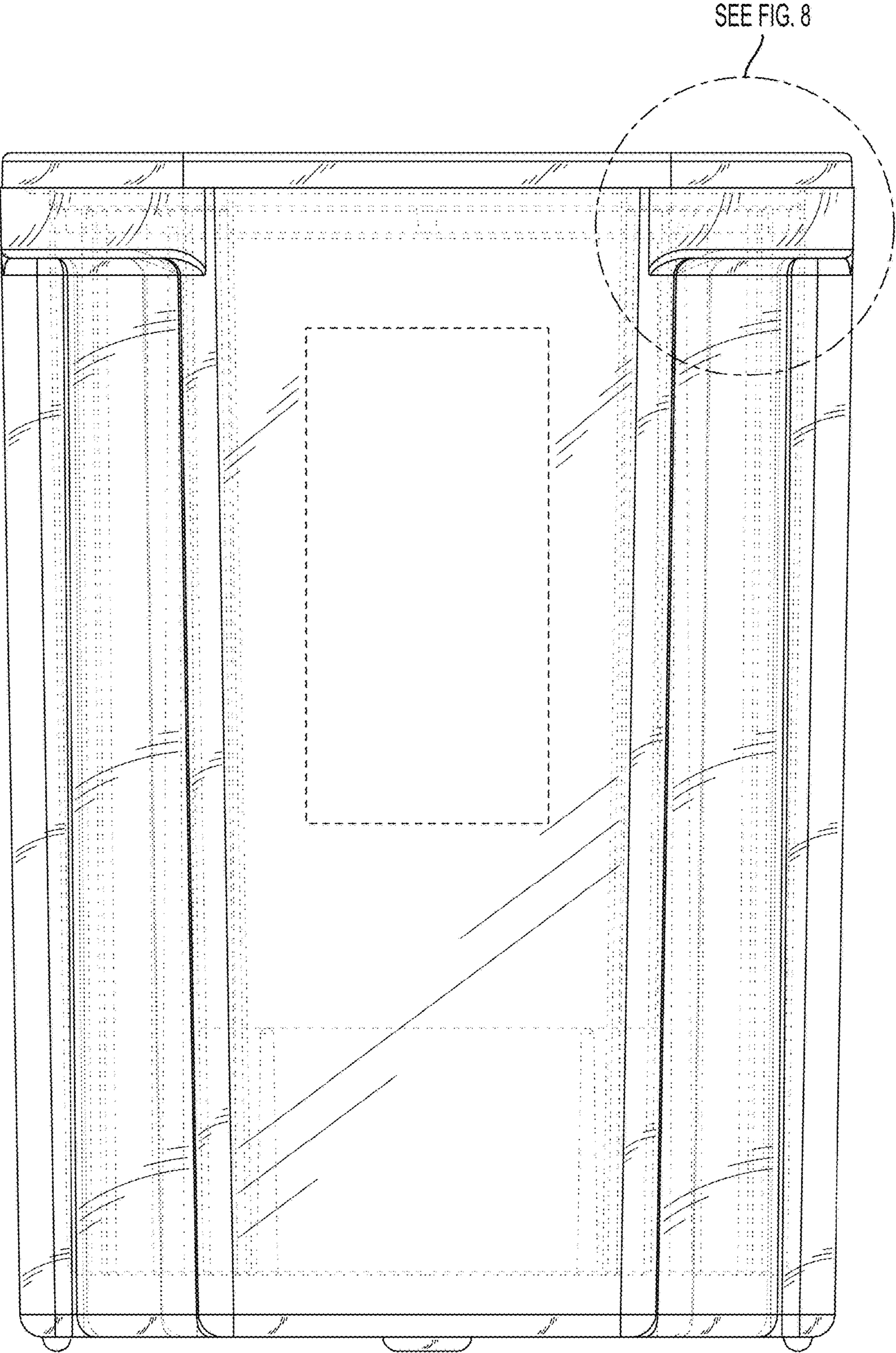


FIG. 2

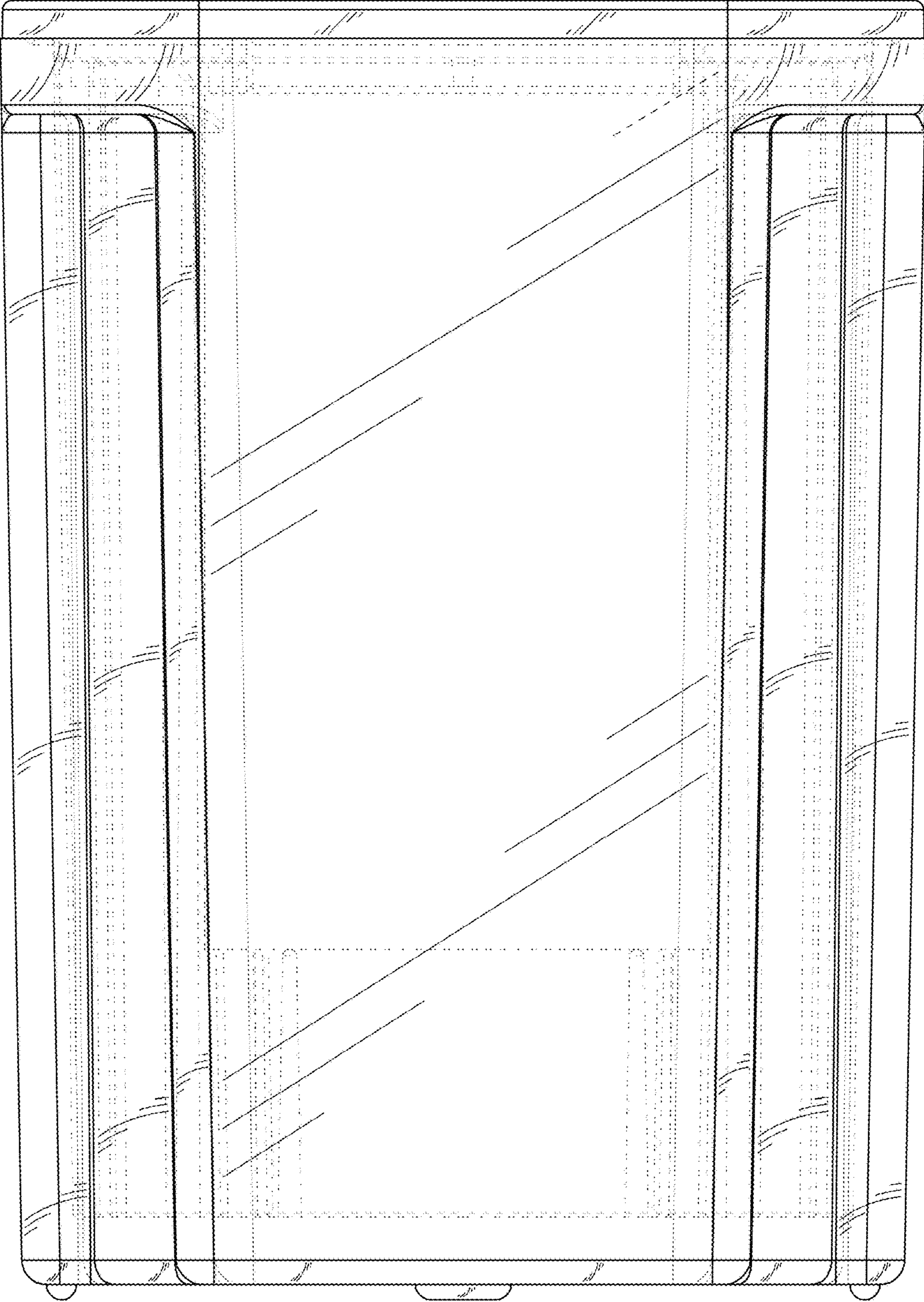


FIG. 3

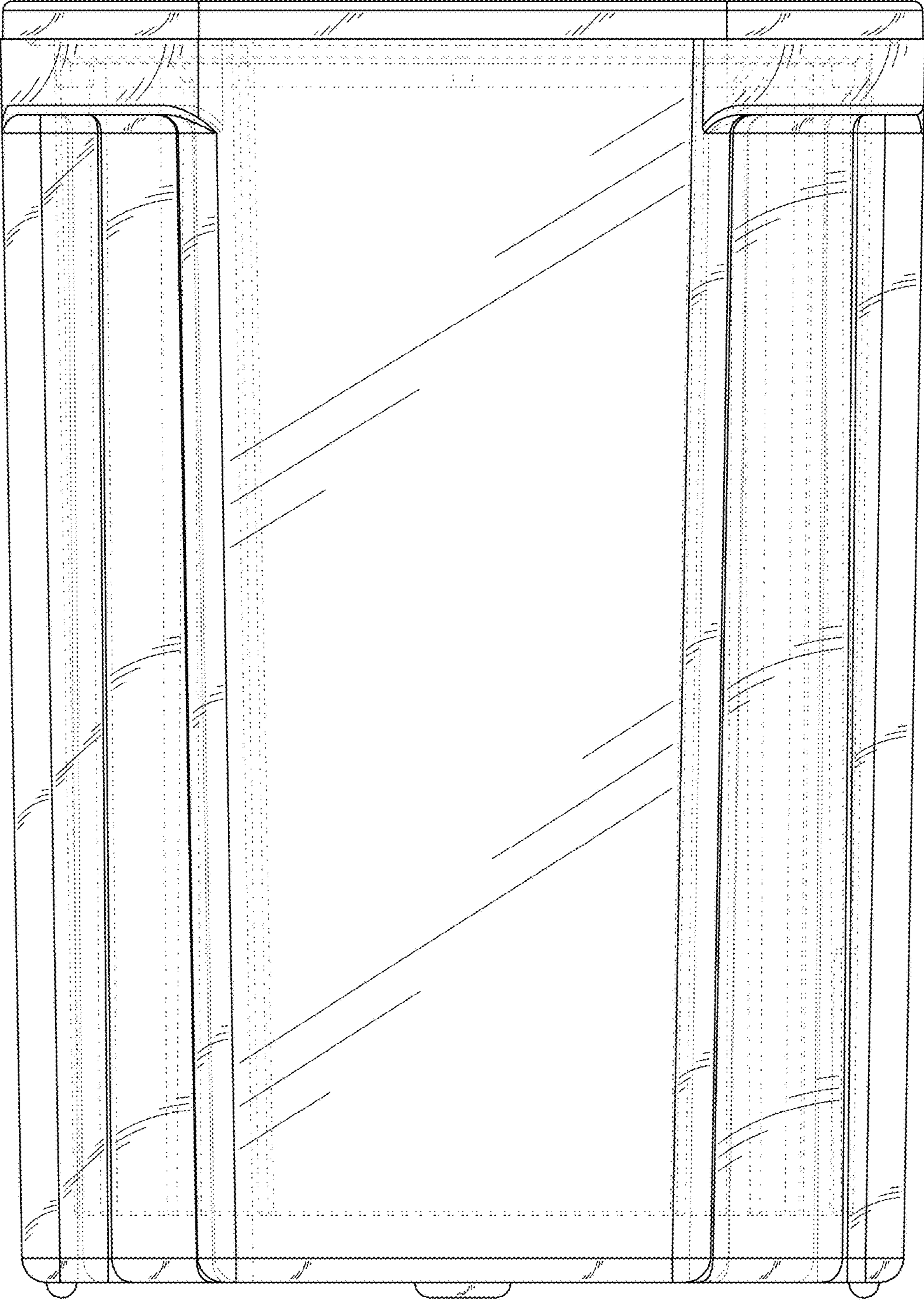


FIG. 4

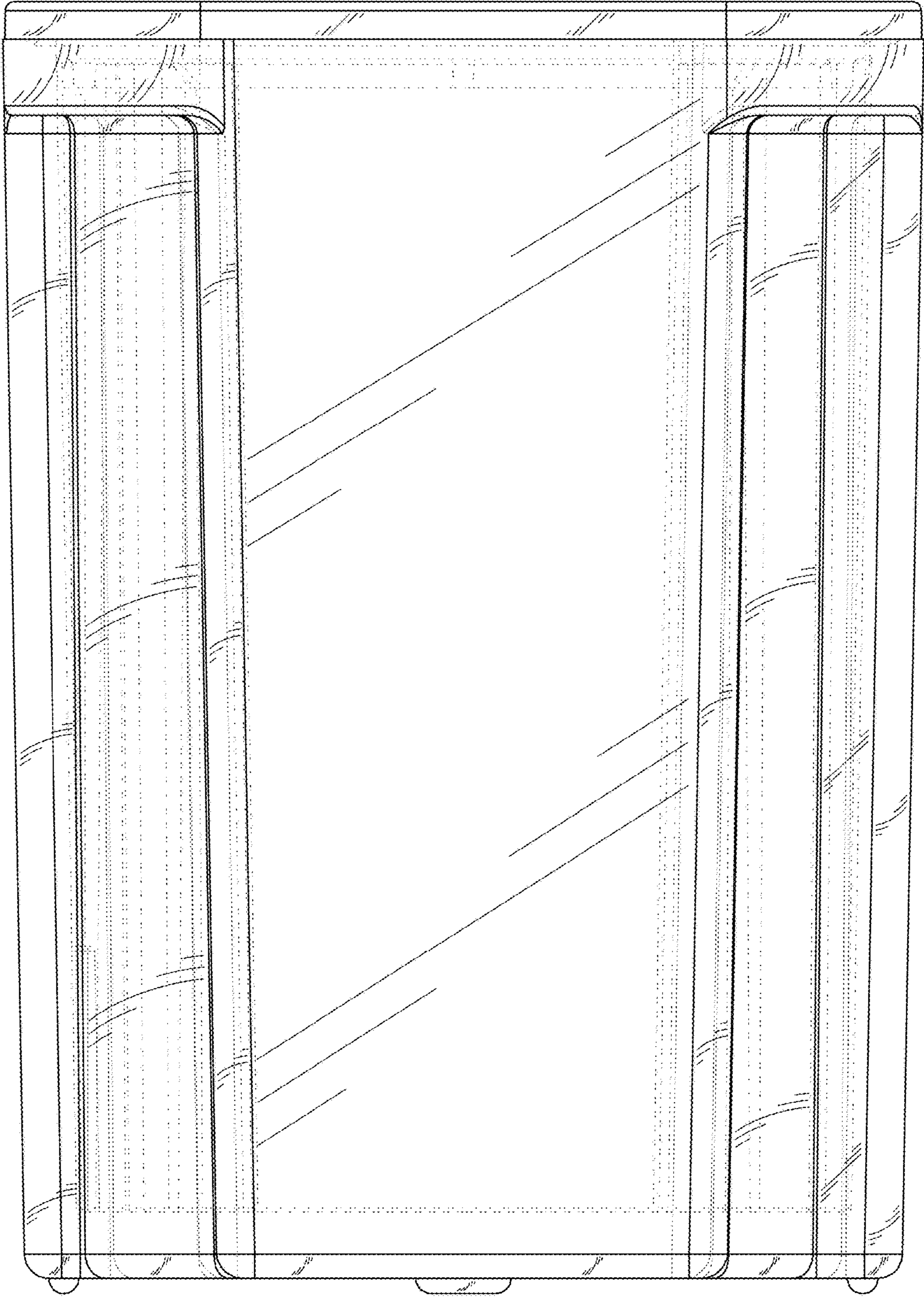


FIG. 5

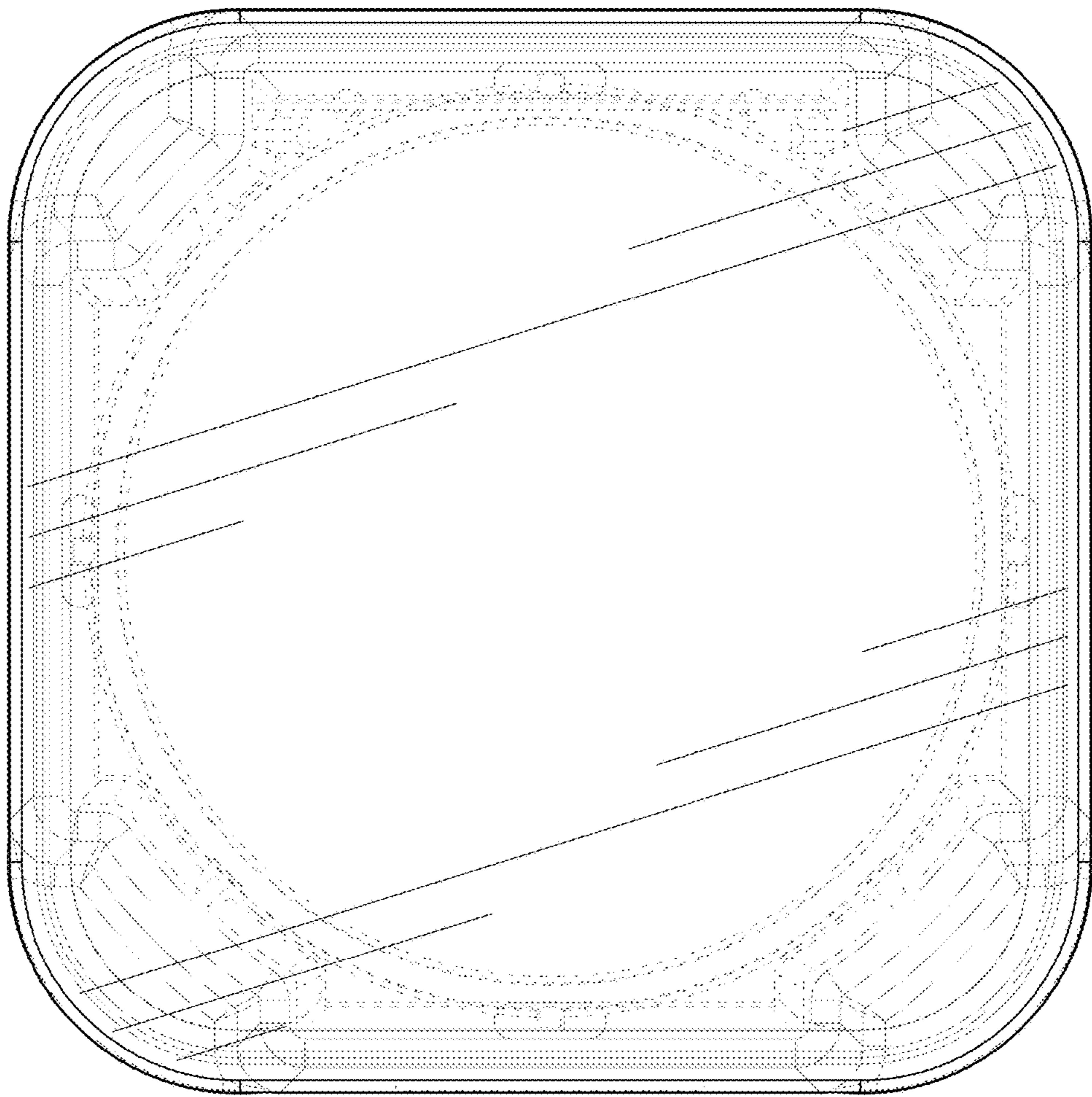


FIG. 6

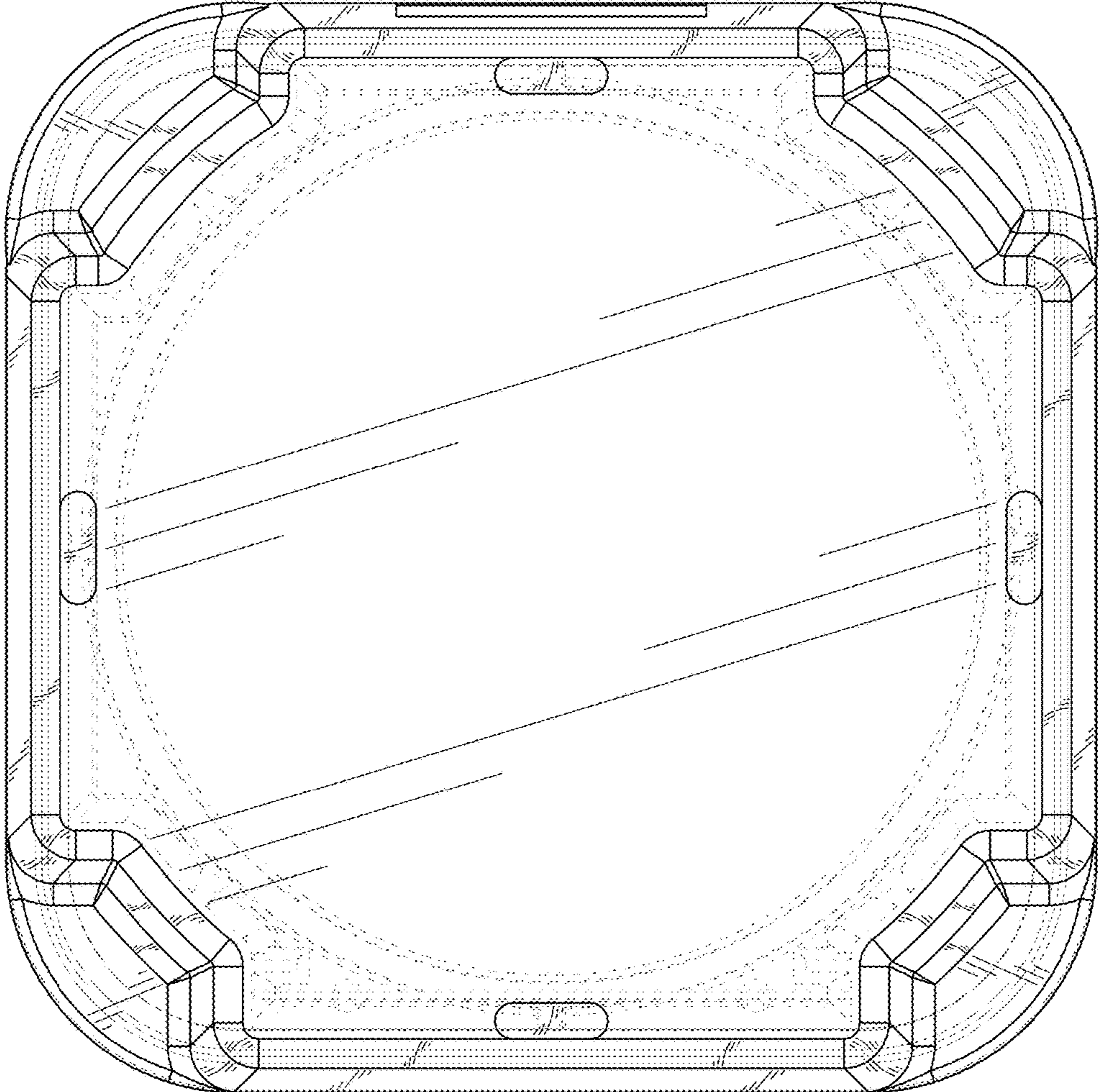


FIG. 7

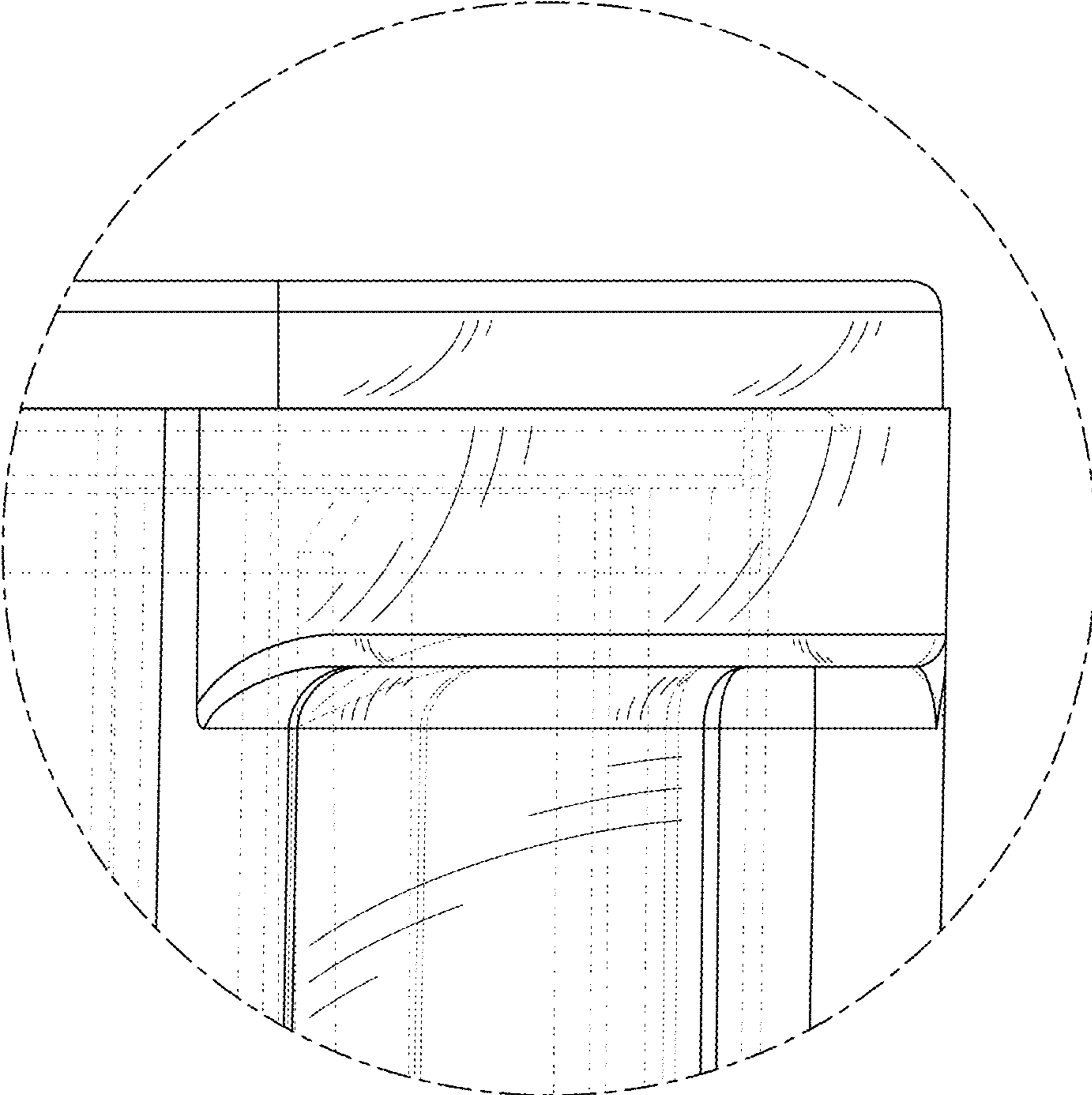


FIG. 8