



US00D836909S

(12) **United States Design Patent** (10) **Patent No.:** **US D836,909 S**
Karl (45) **Date of Patent:** **** Jan. 1, 2019**

(54) **LUGGAGE** D788,461 S * 6/2017 Tonelli D3/279
D789,691 S 6/2017 Burns
(71) Applicant: **Samsonite IP Holdings S.a r.l.**, D807,638 S * 1/2018 Xu D3/279
Luxembourg (LU) (Continued)

(72) Inventor: **Philip J. Karl**, Rehoboth, MA (US)
(73) Assignee: **Samsonite IP Holdings S.a r.l.**,
Luxembourg (LU)

FOREIGN PATENT DOCUMENTS

CN 303991589 1/2017
EM 002121632-0001 10/2012
(Continued)

(**) Term: **15 Years**

OTHER PUBLICATIONS

(21) Appl. No.: **29/599,590**

Amazon, "Samsonite Stryde Hardside Carry on Glider, Blue Slate",
Earliest review Mar. 14, 2017. (<https://www.amazon.com/Samsonite-Stryde-Hardside-Carry-Glider/dp/B01LWP6X5M/>) (Year: 2017).*
(Continued)

(22) Filed: **Apr. 5, 2017**

(51) **LOC (11) Cl.** **03-01**

(52) **U.S. Cl.**
USPC **D3/279**

(58) **Field of Classification Search**
USPC D3/269, 272, 273, 274, 276, 277, 279,
D3/280, 281, 283, 284, 285, 289, 302,
D3/900, 902, 904, 271.2
CPC A45C 5/00; A45C 5/03; A45C 2005/032;
A45C 5/08; A45C 5/14; A45C 2009/005
See application file for complete search history.

Primary Examiner — Jennifer Rivard
Assistant Examiner — April Rivas
(74) *Attorney, Agent, or Firm* — Dorsey & Whitney LLP

(57) **CLAIM**

The ornamental design for a luggage, as shown and described.

DESCRIPTION

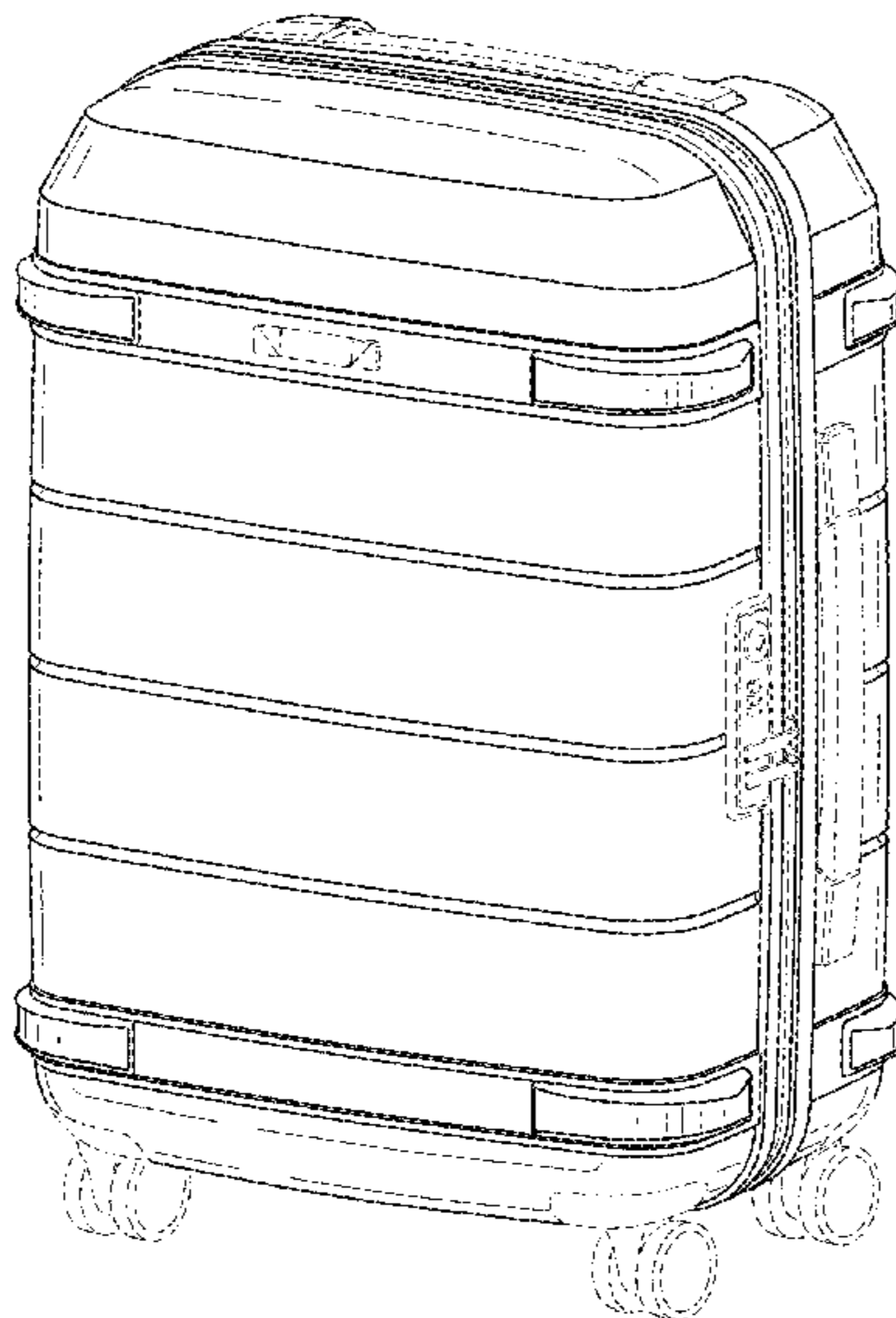
(56) **References Cited**

U.S. PATENT DOCUMENTS

D427,434 S * 7/2000 King D3/276
D438,381 S 3/2001 Sijmons
6,325,189 B1 * 12/2001 King A45C 3/001
190/119
D454,430 S 3/2002 Sijmons
D538,534 S 3/2007 Sijmons
D547,549 S * 7/2007 Johansson D3/276
D623,856 S * 9/2010 Pezzini D3/279
D690,510 S * 10/2013 Fux B62B 1/18
D3/270
D732,823 S 6/2015 Baron
D755,518 S 5/2016 Sijmons
D762,977 S * 8/2016 Xu D3/279

FIG. 1 shows a front perspective view of a luggage;
FIG. 2 shows a front elevation view of the luggage of FIG. 1;
FIG. 3 shows a rear elevation view of the luggage of FIG. 1;
FIG. 4 shows a right elevation view of the luggage of FIG. 1;
FIG. 5 shows a left elevation view of the luggage of FIG. 1;
FIG. 6 shows a top view of the luggage of FIG. 1; and,
FIG. 7 shows a bottom view of the luggage of FIG. 1.
The broken lines in FIGS. 1-7 illustrate portions of the luggage and form no part of the claimed design.

1 Claim, 7 Drawing Sheets



(56)

References Cited

U.S. PATENT DOCUMENTS

D809,297 S * 2/2018 Ehret D3/279
D817,638 S * 5/2018 Salander D3/279
2003/0196860 A1* 10/2003 Be A45C 5/02
190/18 A

FOREIGN PATENT DOCUMENTS

EM	002319996-0001	10/2013
EM	002344622-0002	11/2013
EM	002454595-0001	4/2014
EM	002576728-0012	11/2014
EM	002576728-0013	11/2014
EM	002619155-0001	1/2015
EM	002872192-0005	11/2015
EM	003105741-0002	5/2016
EM	003919026-0001	5/2017
HK	15008651-M005	4/2015
HK	15023981-M006	11/2015

OTHER PUBLICATIONS

Amazon, "Coolife Luggage 3 Piece Set Suitcase Spinner Hardshell . . .", First on sale Dec. 12, 2016. (<https://www.amazon.com/Coolife-Suitcase-Hardshell-Lightweight-champagne/dp/B01NAIO3EW>) (Year: 2016).*

* cited by examiner

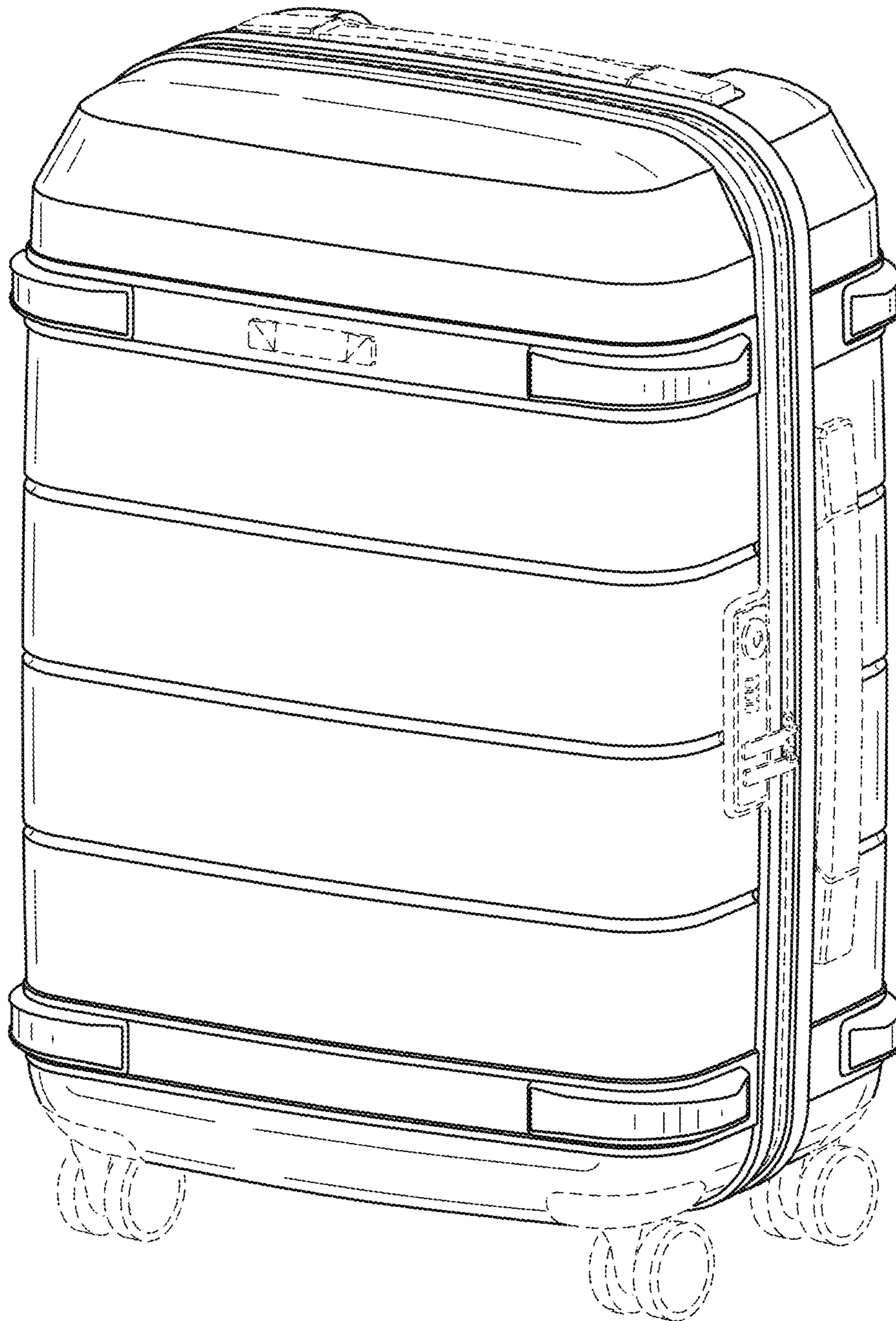


FIG. 1

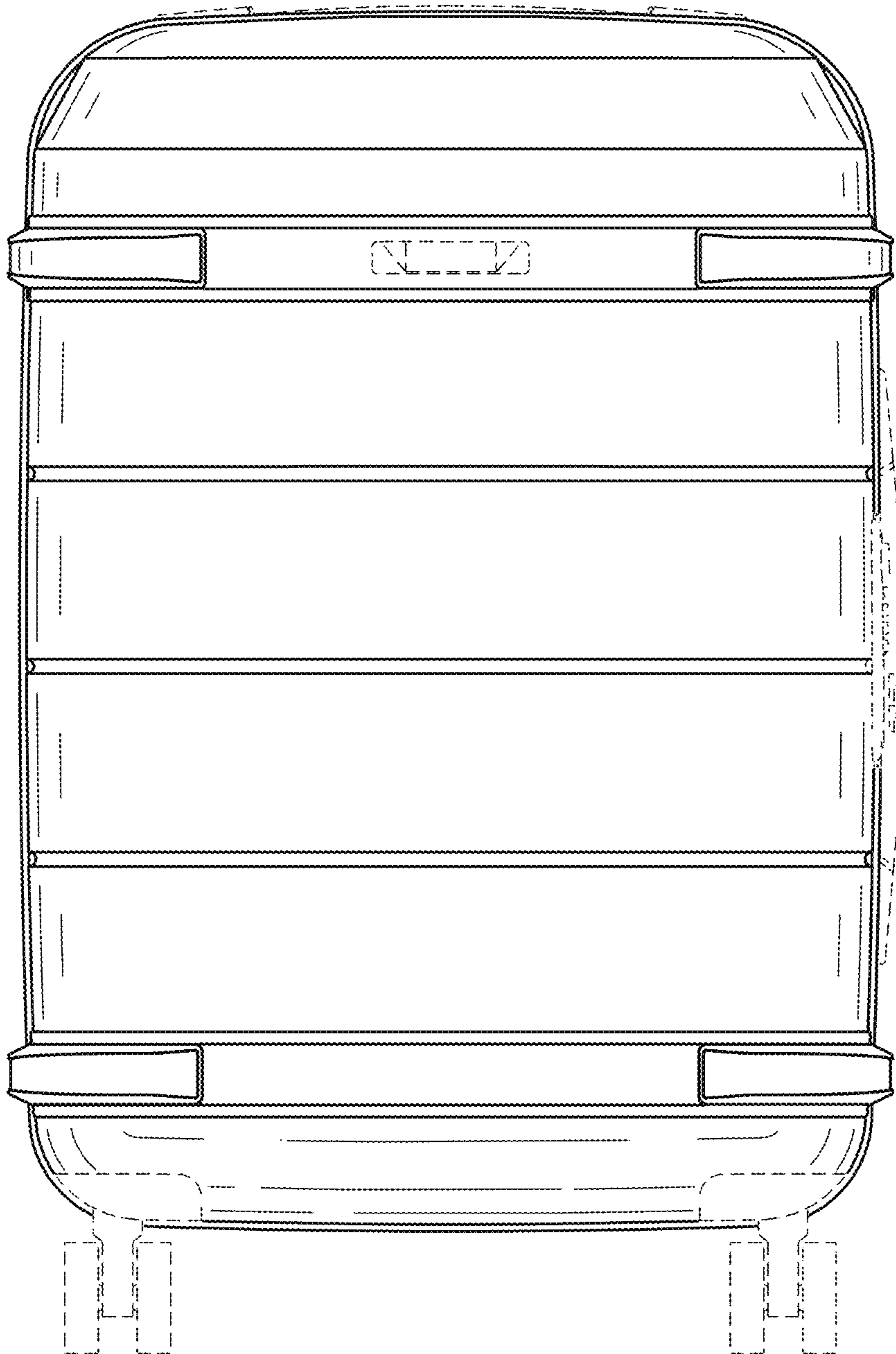


FIG. 2

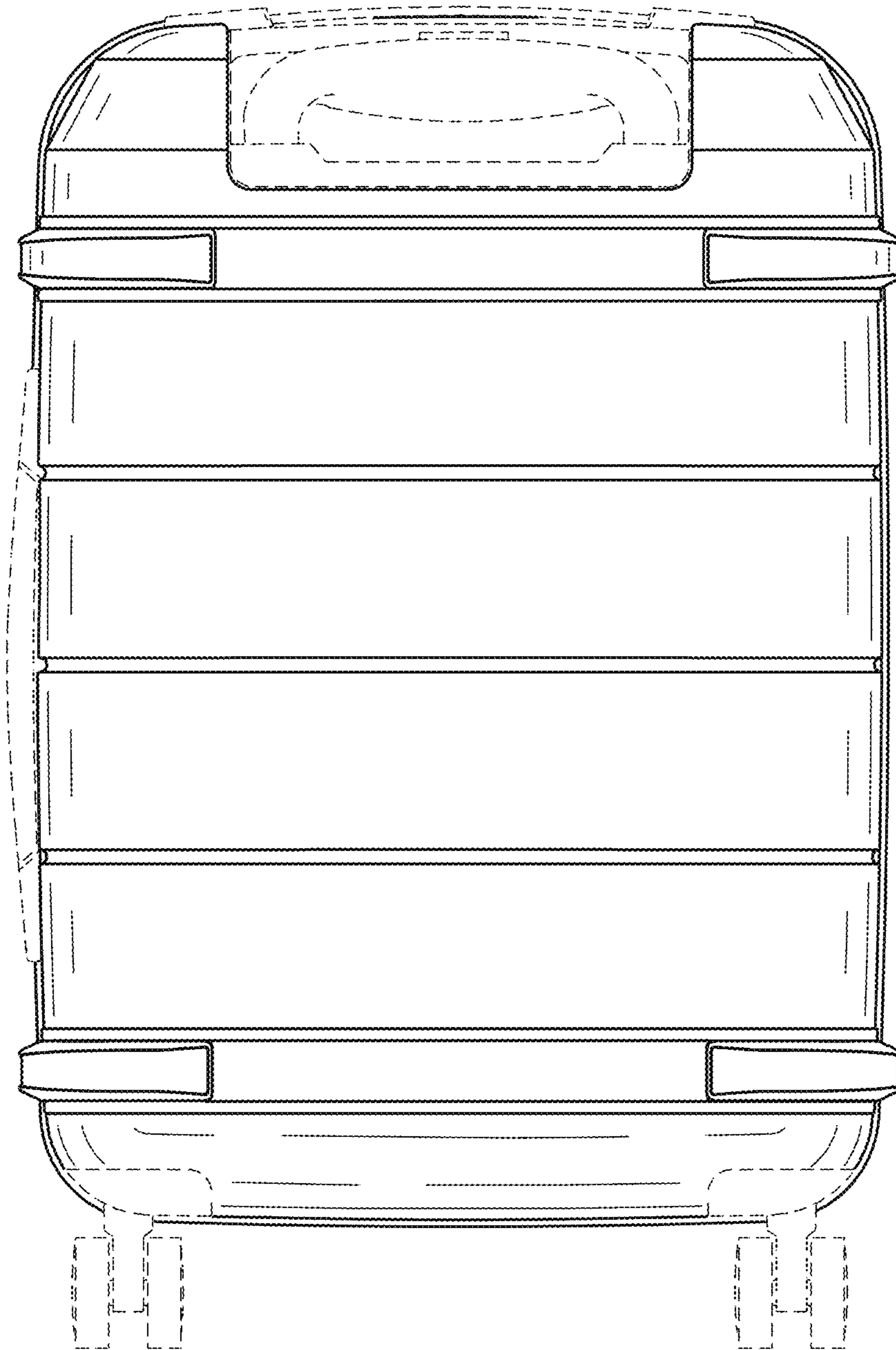


FIG. 3

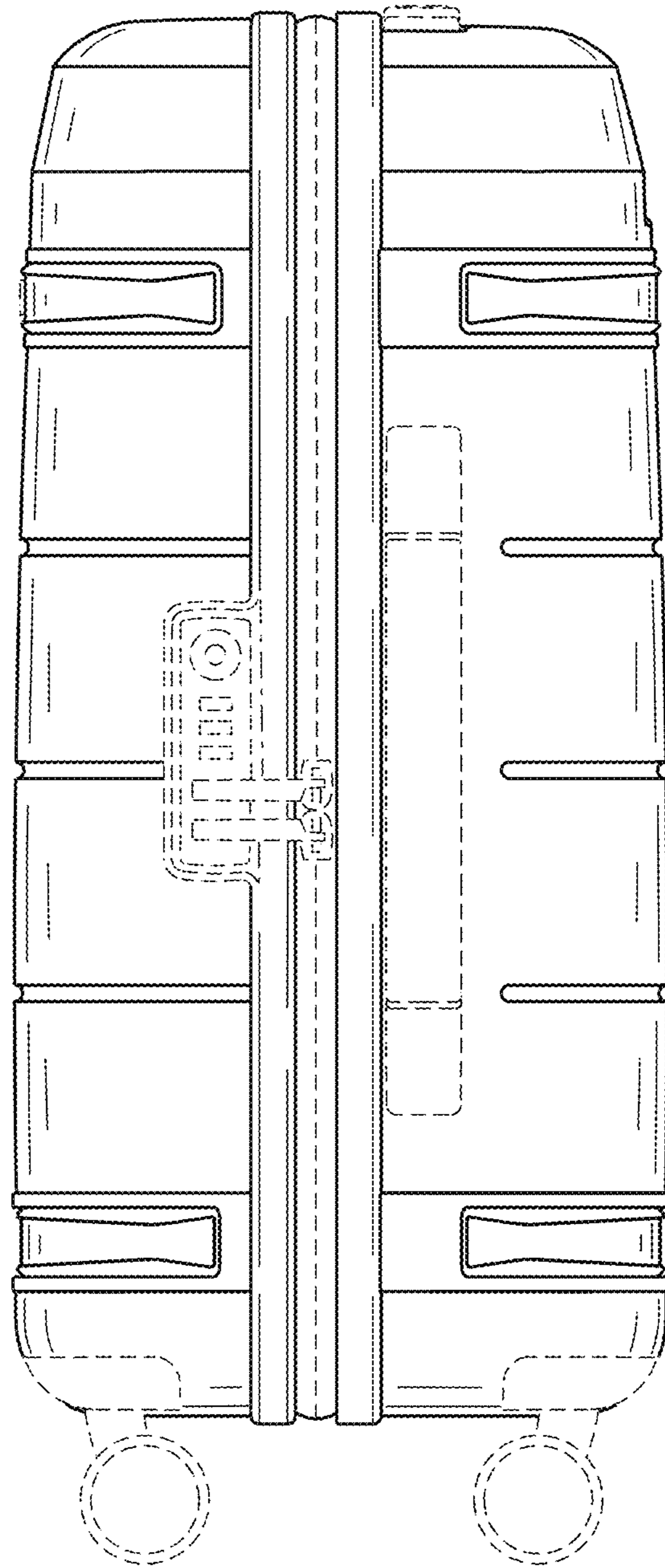


FIG. 4

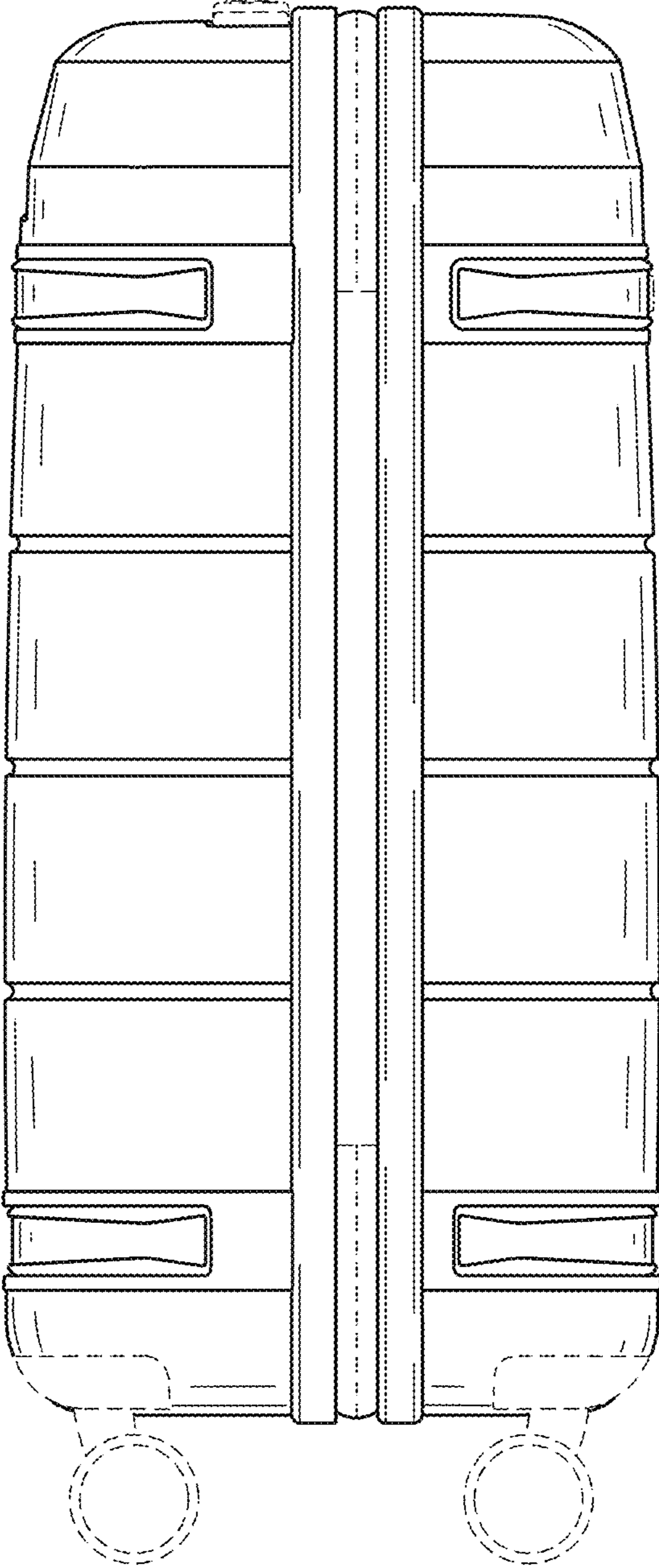


FIG. 5

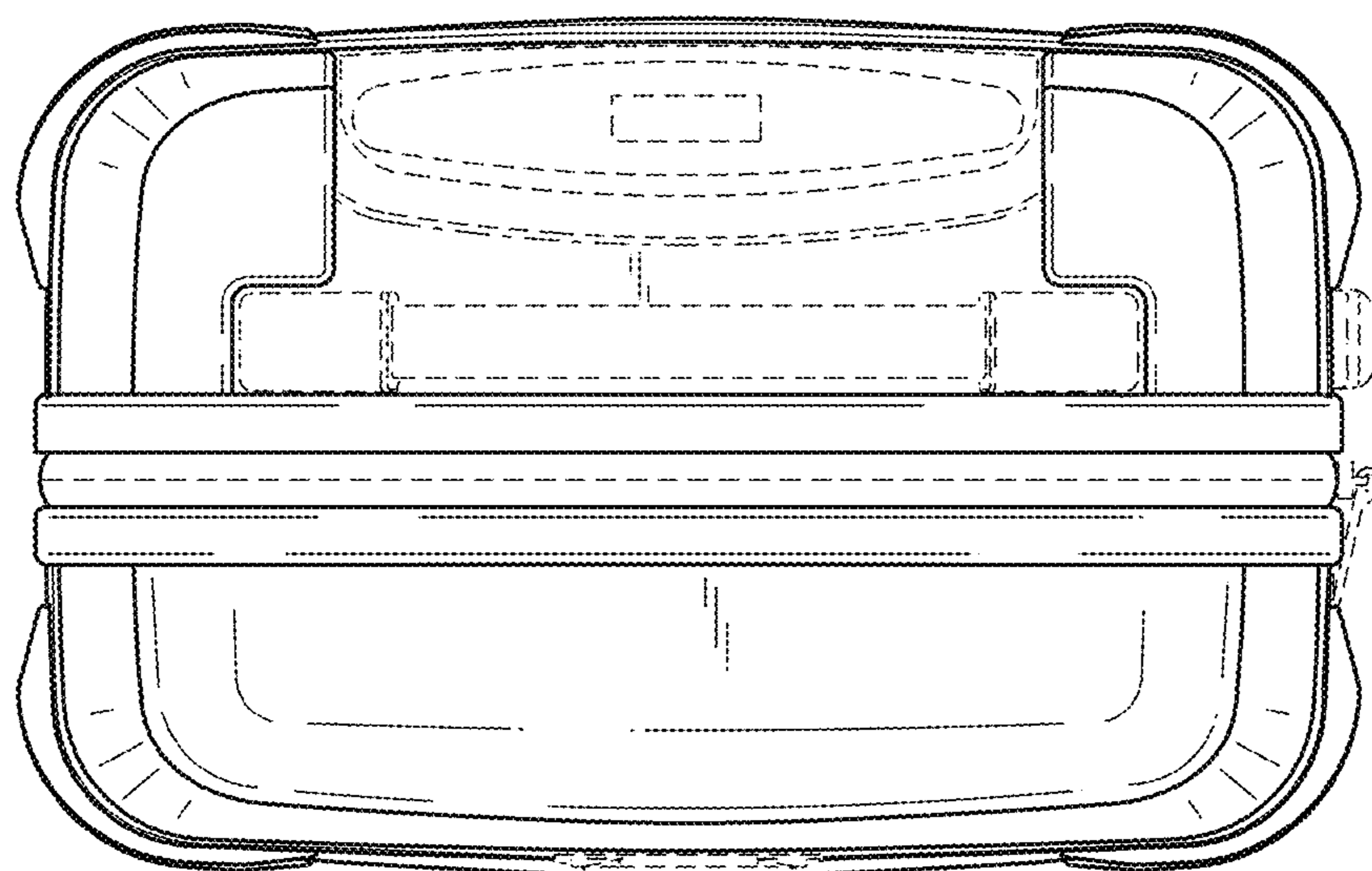


FIG. 6

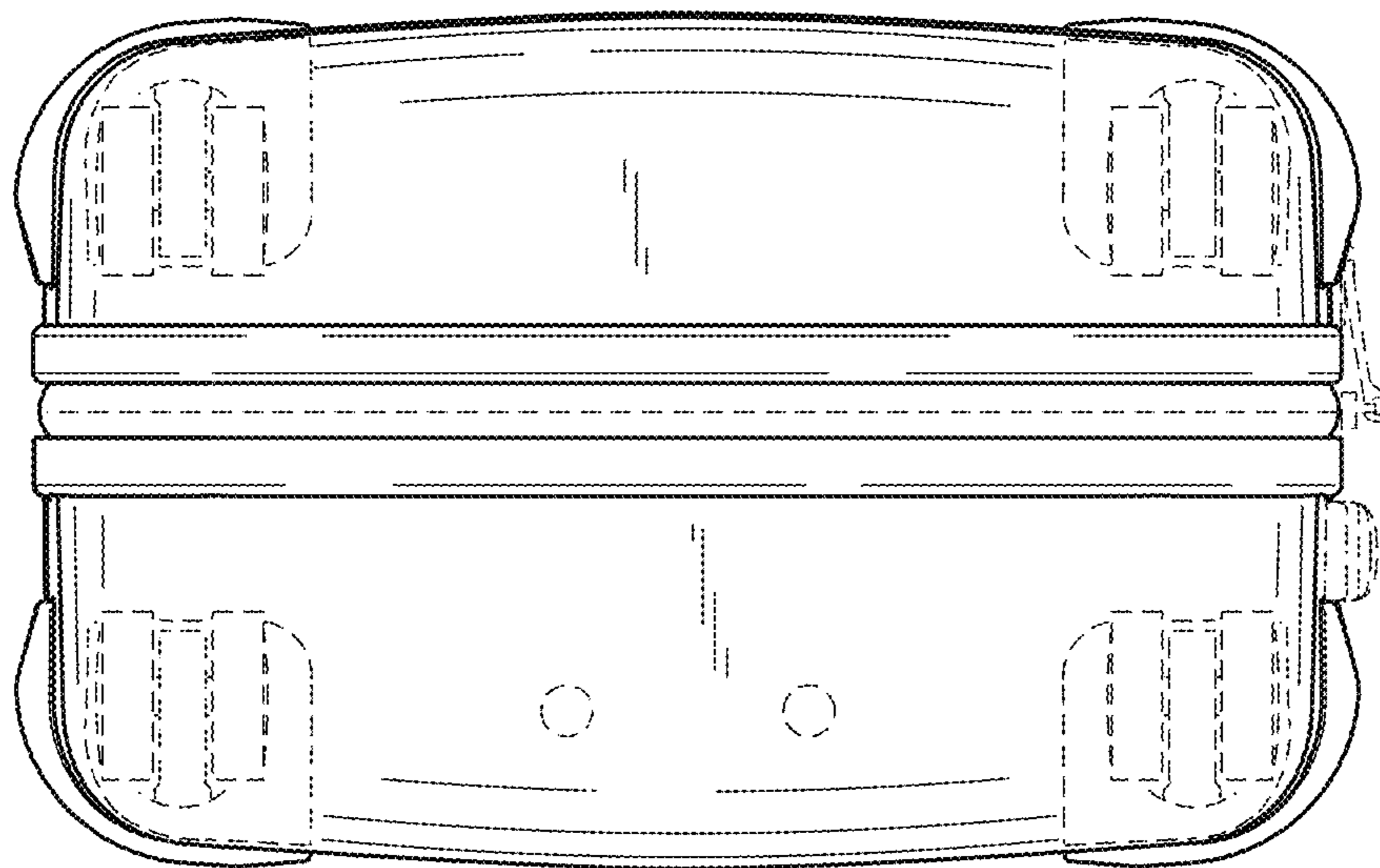


FIG. 7