



US00D836906S

(12) **United States Design Patent** (10) **Patent No.:** **US D836,906 S**  
**Benson et al.** (45) **Date of Patent:** **\*\* Jan. 1, 2019**

(54) **LOCK RING**

(71) Applicant: **RK Family Trust & CNG Solid Trust,**  
Glen Iris (AU)

(72) Inventors: **Richard Lucius Benson,** Highton  
(AU); **I-Chi Rex Kuo,** Mount Waverley  
(AU); **Charles Wijaya Ng,** South Yarra  
(AU)

(73) Assignee: **RK Family Trust & CNG Solid Trust,**  
Glen Iris (AU)

(\*\*) Term: **15 Years**

(21) Appl. No.: **29/624,968**

(22) Filed: **Nov. 6, 2017**

(51) **LOC (11) Cl.** ..... **03-01**

(52) **U.S. Cl.**  
USPC ..... **D3/207**

(58) **Field of Classification Search**  
USPC ..... D3/207-212; 70/456 B, 457, 458, 408,  
70/456 R, 459; D13/168; D8/347, 382,  
D8/356; D10/104; D14/496, 411;  
206/37.1; D21/604, 605, 656, 658, 659;  
24/3.6, 598.3; D11/11, 79, 81, 82, 87  
(Continued)

(56) **References Cited**

**U.S. PATENT DOCUMENTS**

99,891 A \* 2/1870 Hattersley ..... A44B 15/00  
70/459  
296,763 A \* 4/1884 Lucas ..... A44B 15/00  
70/459

(Continued)

*Primary Examiner* — Ralf Seifert

(74) *Attorney, Agent, or Firm* — Michael G. Johnston;  
Moore & Van Allen PLLC

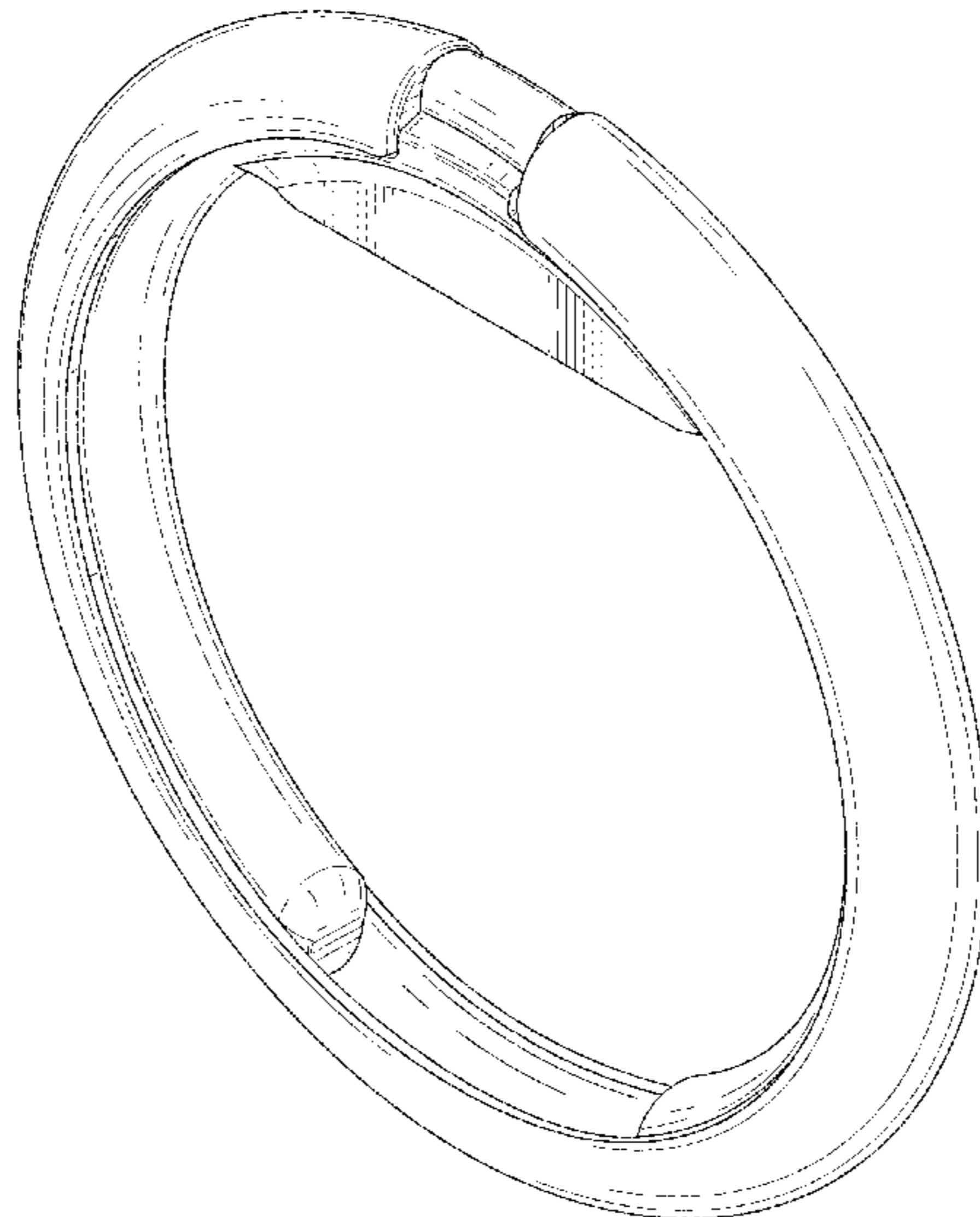
(57) **CLAIM**

The ornamental design for a lock ring, as shown and described.

**DESCRIPTION**

FIG. 1 is a front perspective view of an embodiment of a lock ring in a first locked position showing my new design. FIG. 2 is a rear perspective view of the lock ring as shown in FIG. 1 showing my new design. FIG. 3 is a front elevation view of the lock ring as shown in FIG. 1 showing my new design. FIG. 4 is a rear elevation view of the lock ring as shown in FIG. 1 showing my new design. FIG. 5 is a right side elevation view of the lock ring as shown in FIG. 1 showing my new design. FIG. 6 is a left side elevation view of the lock ring as shown in FIG. 1 showing my new design. FIG. 7 is a top plan view of the lock ring as shown in FIG. 1 showing my new design. FIG. 8 is a bottom plan view of the lock ring as shown in FIG. 1 showing my new design. FIG. 9 is a front perspective view of the lock ring as shown in FIG. 1 in a second unlocked position showing my new design. FIG. 10 is a rear perspective view of the lock ring as shown in FIG. 9 showing my new design. FIG. 11 is a front elevation view of the lock ring as shown in FIG. 9 showing my new design. FIG. 12 is a rear elevation view of the lock ring as shown in FIG. 9 showing my new design. FIG. 13 is a right side elevation view of the lock ring as shown in FIG. 9 showing my new design. FIG. 14 is a left side elevation view of the lock ring as shown in FIG. 9 showing my new design. FIG. 15 is a top plan view of the lock ring as shown in FIG. 9 showing my new design; and, FIG. 16 is a bottom plan view of the lock ring as shown in FIG. 9 showing my new design.

**1 Claim, 12 Drawing Sheets**



(58) **Field of Classification Search**  
 CPC ..... H04B 1/034; F04B 15/00; E05B 19/00;  
 E05B 19/04; A44B 15/00; A44B 15/002;  
 A44B 15/005; A44B 15/007; B21L 3/00  
 See application file for complete search history.

(56) **References Cited**

U.S. PATENT DOCUMENTS

338,268 A \* 3/1886 Henry ..... A44B 15/00  
 70/459  
 1,399,207 A \* 12/1921 Goozey ..... A44B 15/00  
 24/574.1  
 1,442,096 A \* 1/1923 Robinson ..... A44C 5/2014  
 24/598.3  
 2,188,367 A \* 1/1940 Loercher ..... A44B 15/00  
 70/459  
 2,224,073 A \* 12/1940 Augenstein ..... A44B 15/00  
 24/598.3  
 2,227,419 A \* 1/1941 Anderson ..... A44B 15/00  
 70/459

2,499,591 A \* 3/1950 Kraft ..... A44B 15/00  
 24/598.3  
 2,604,775 A \* 7/1952 Le Blanc ..... A44B 15/00  
 24/3.6  
 2,877,640 A \* 3/1959 Anderson ..... A44B 15/00  
 24/598.2  
 2,915,891 A \* 12/1959 Vealey ..... A44B 15/00  
 174/173  
 3,559,733 A \* 2/1971 Kilgore ..... E21B 33/1216  
 166/134  
 3,776,009 A \* 12/1973 MacGlashan ..... A44B 15/00  
 70/459  
 4,425,772 A \* 1/1984 Brewer ..... A44B 15/00  
 70/456 R  
 5,996,191 A \* 12/1999 Christler ..... A44B 15/00  
 24/36  
 D486,056 S \* 2/2004 Kelleghan ..... D8/356  
 D708,090 S \* 7/2014 Burns ..... D11/87  
 9,474,335 B2 \* 10/2016 Heller ..... A44B 15/002  
 9,810,256 B2 \* 11/2017 Blizzard ..... F16B 45/04  
 9,854,879 B2 \* 1/2018 Barr ..... A44B 15/00

\* cited by examiner

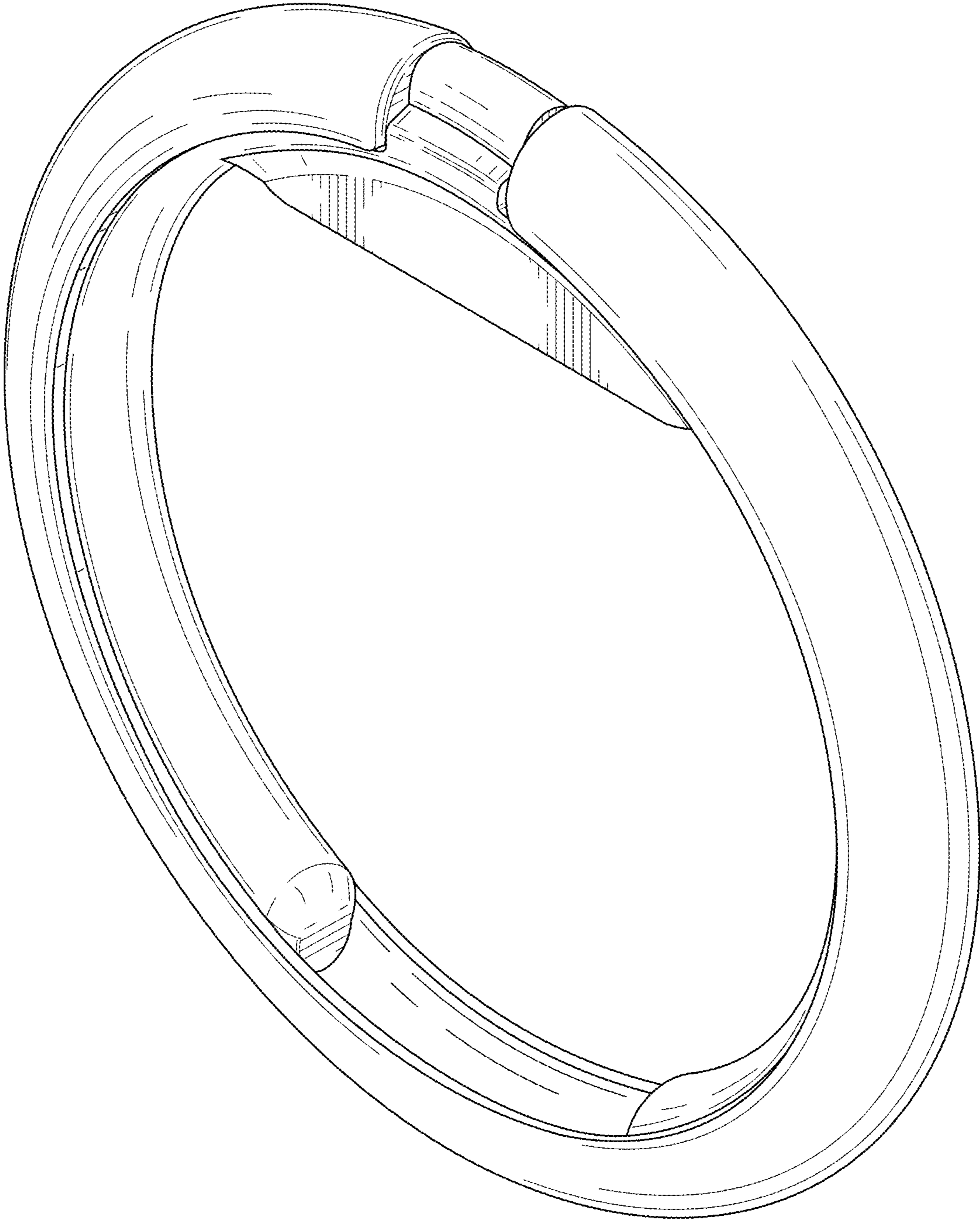


FIG. 1



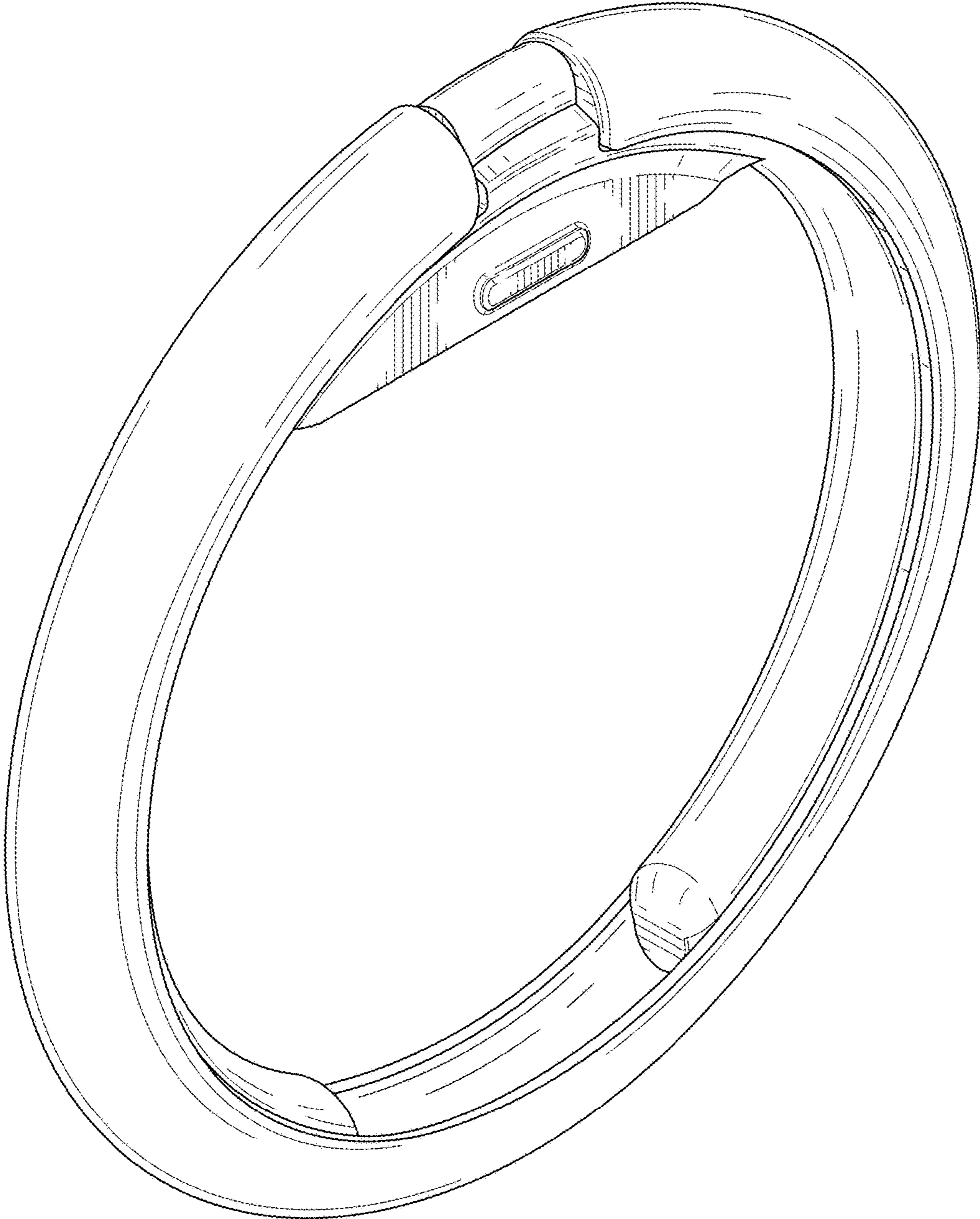


FIG. 2

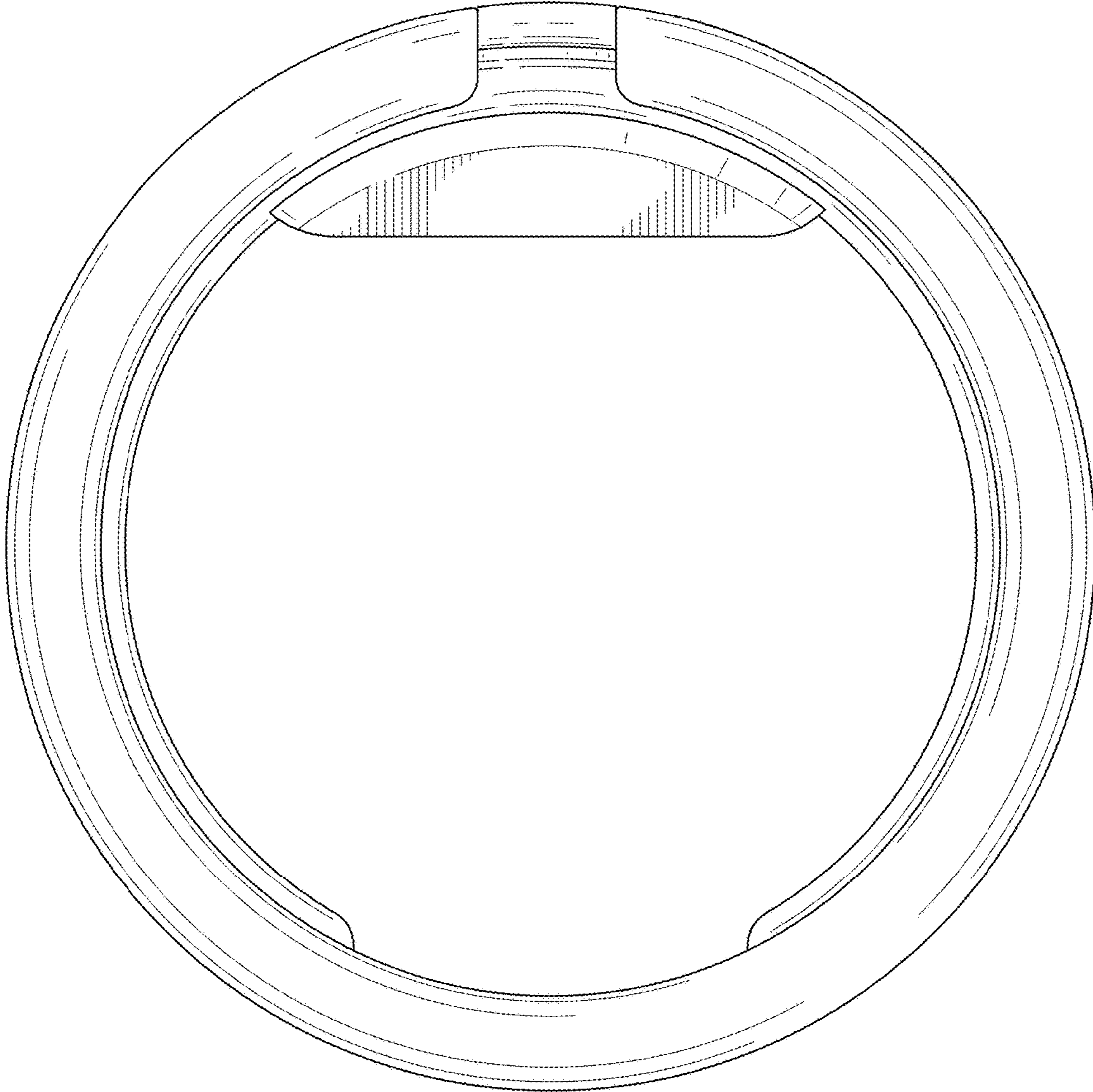


FIG. 3

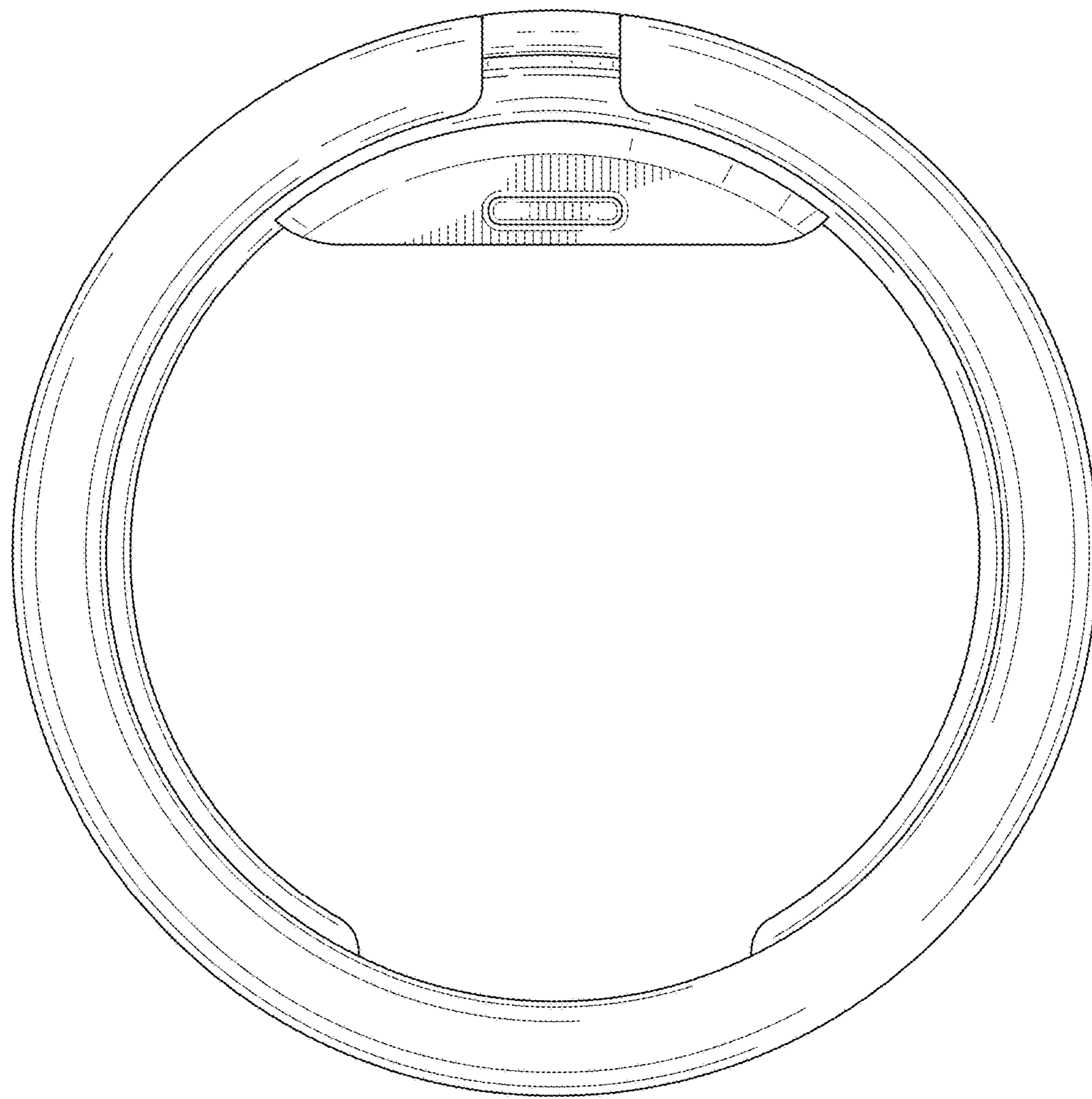
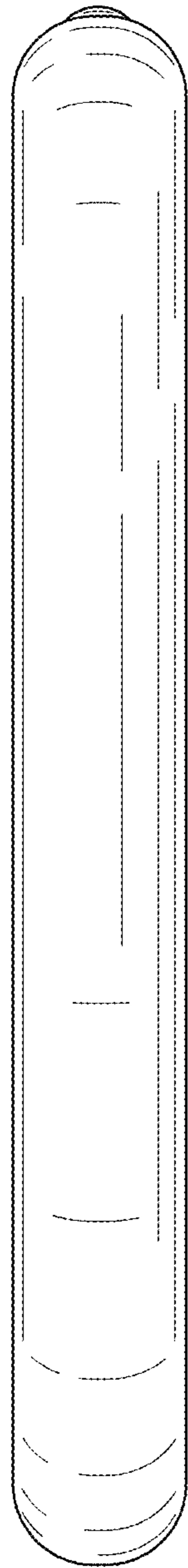
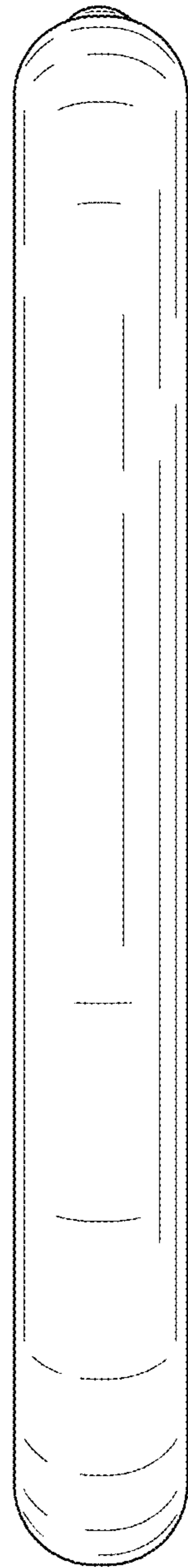


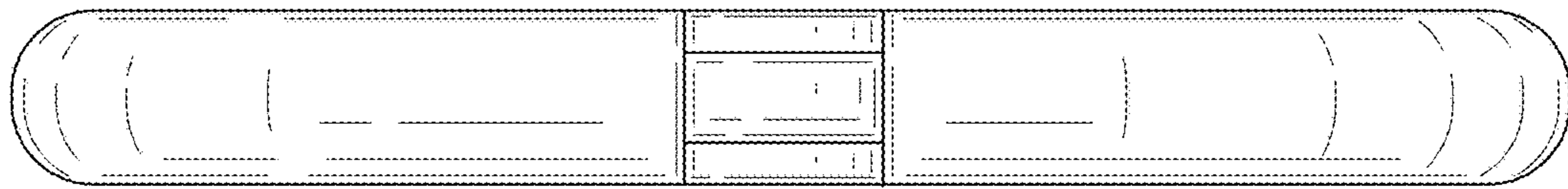
FIG. 4



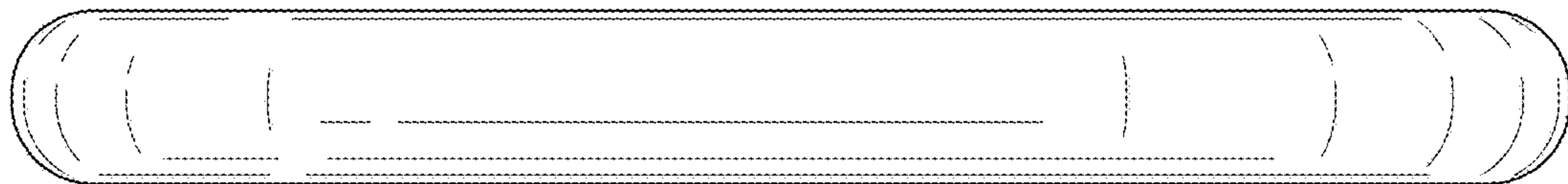
**FIG. 5**



**FIG. 6**



**FIG. 7**



**FIG. 8**



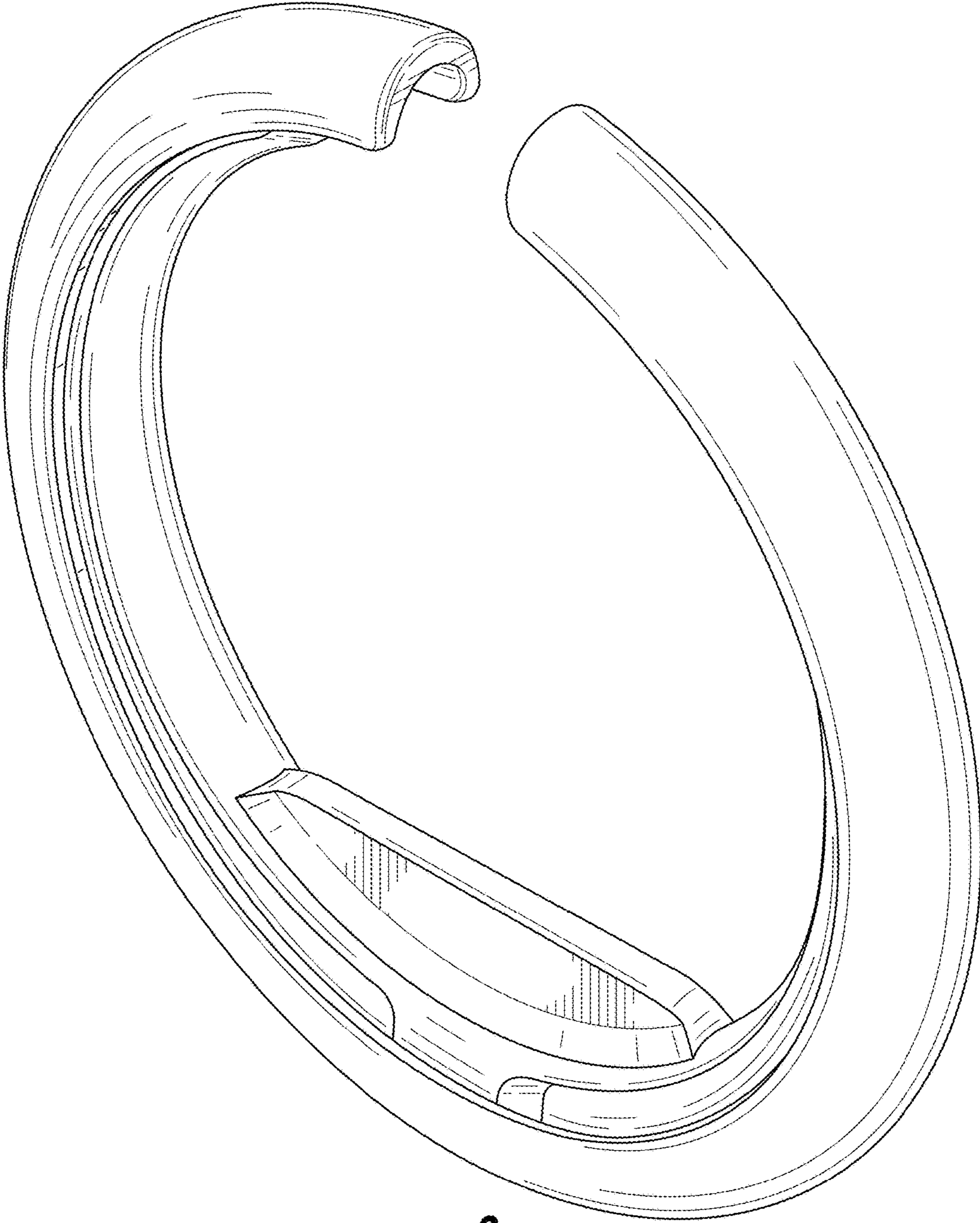
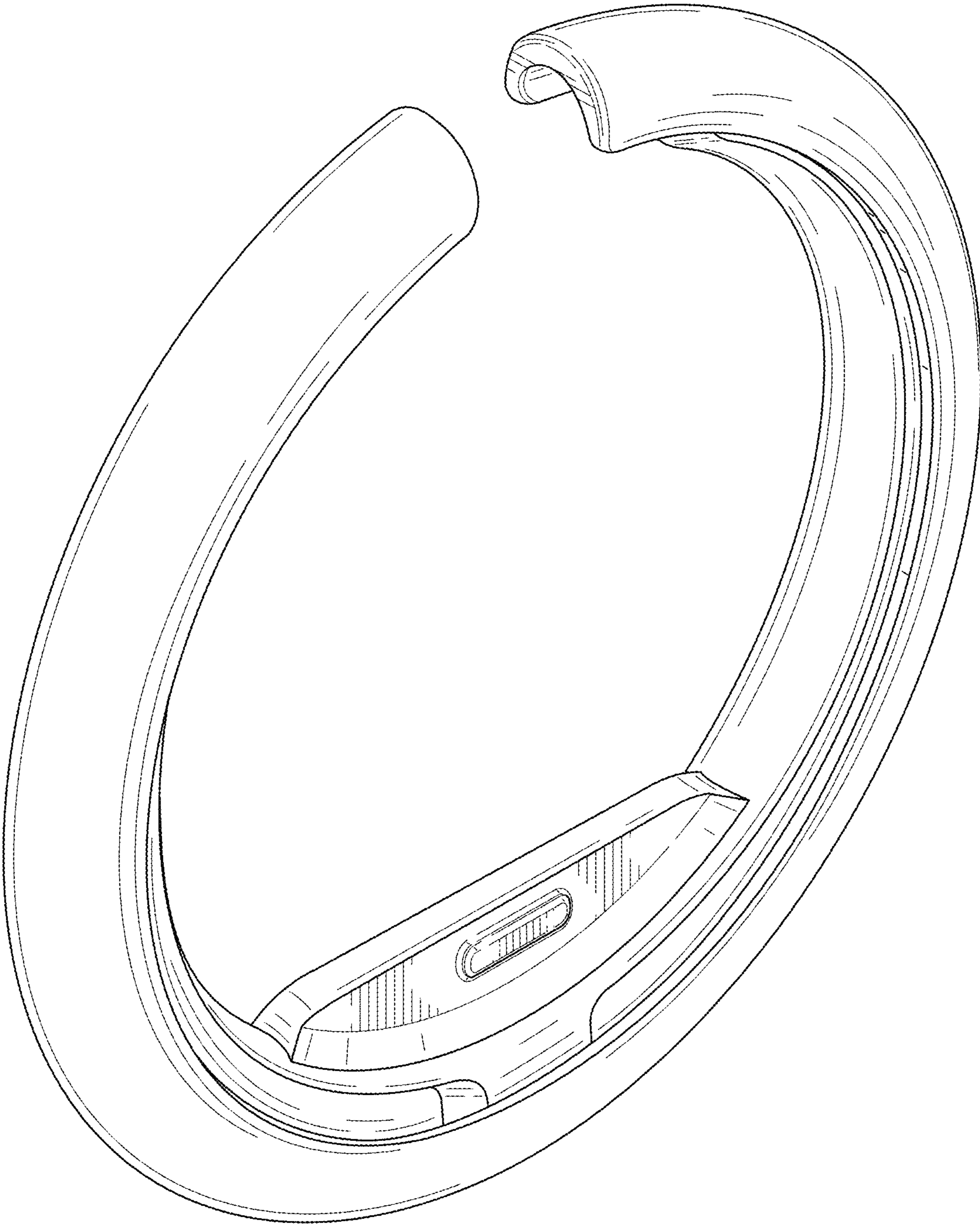


FIG. 9



**FIG. 10**

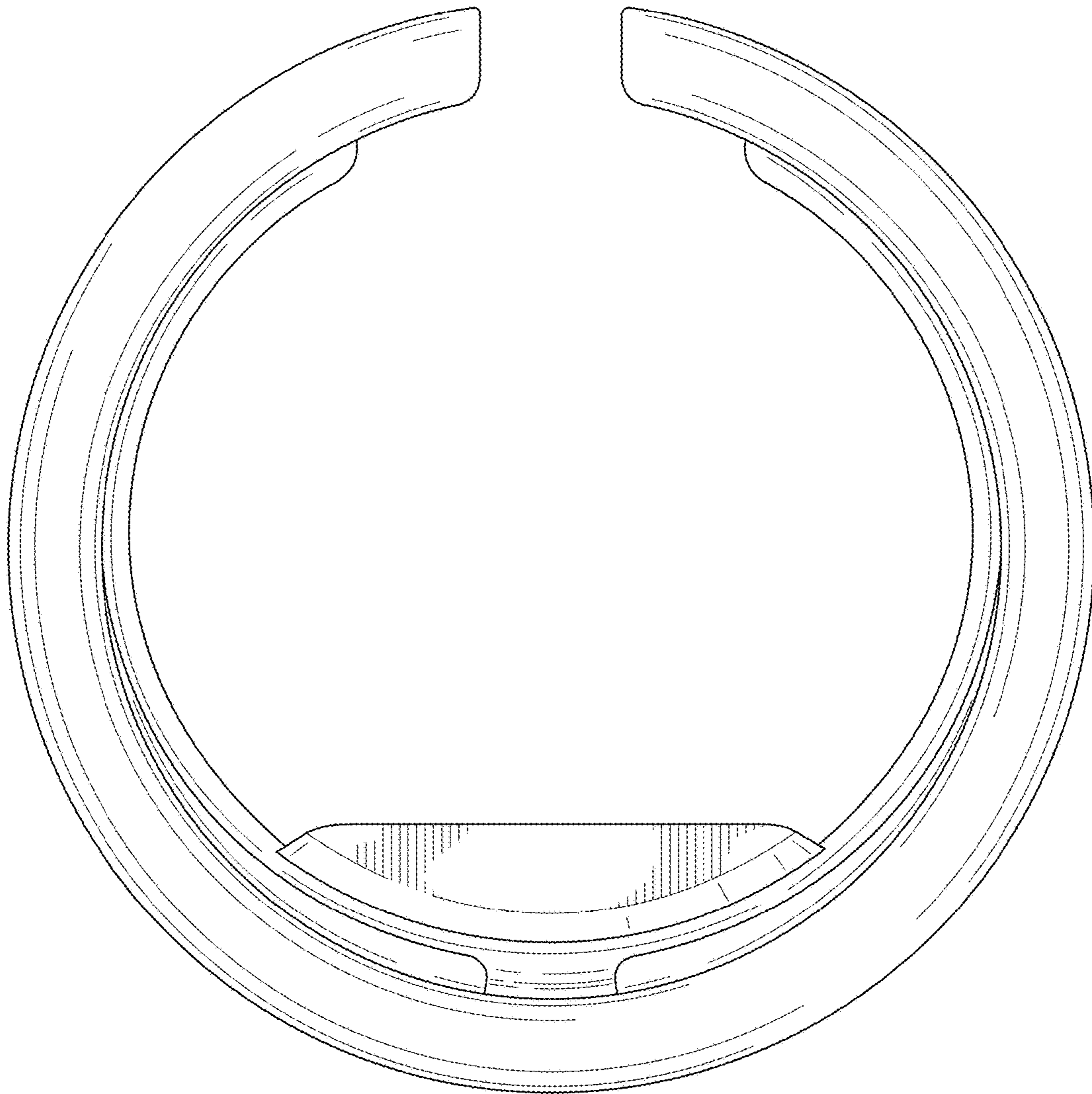


FIG. 11

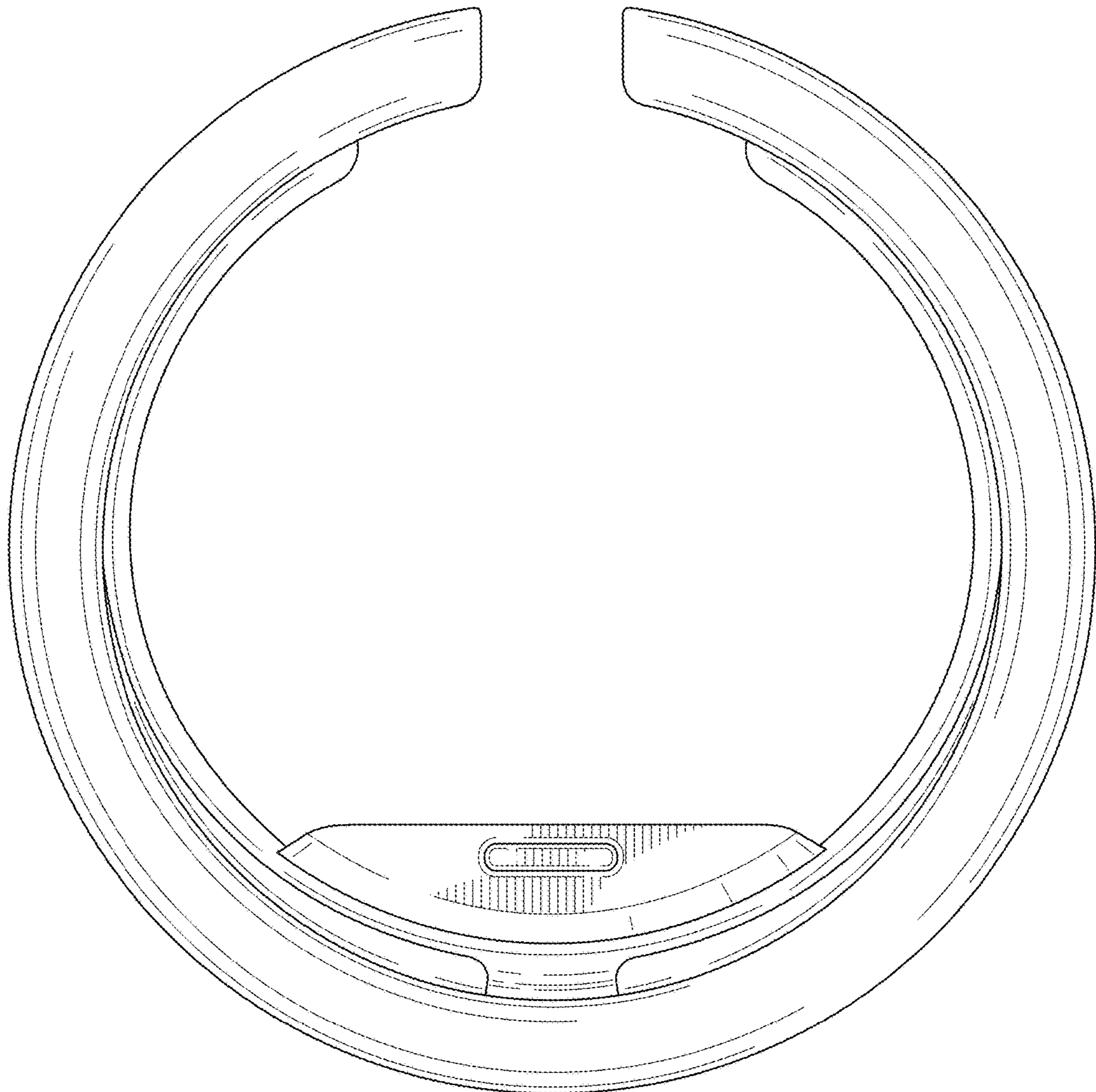
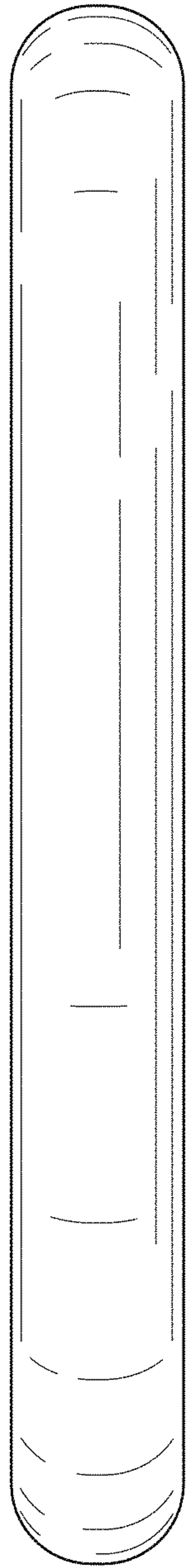
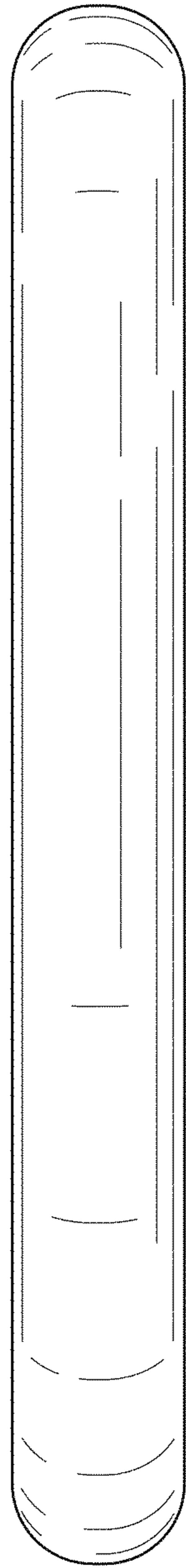


FIG. 12





**FIG. 13**



**FIG. 14**



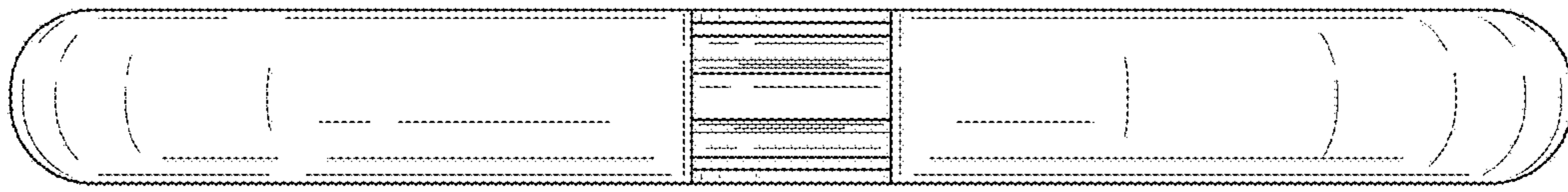


FIG. 15

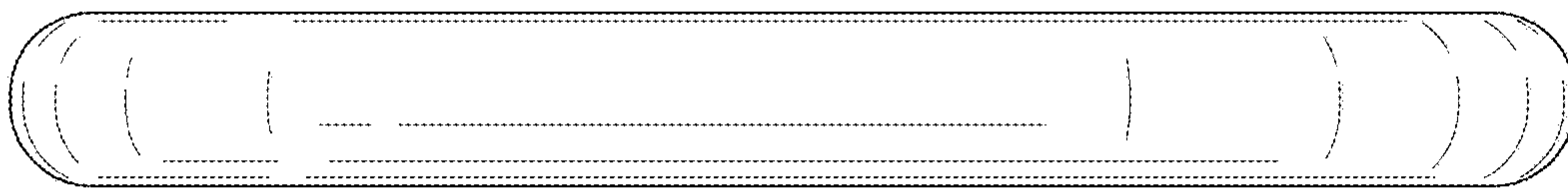


FIG. 16