



US00D836905S

(12) **United States Design Patent**  
**Kehoe**

(10) **Patent No.:** **US D836,905 S**  
(45) **Date of Patent:** **\*\* Jan. 1, 2019**

(54) **FLASK WITH FUNNEL**

(71) Applicant: **PRODUCT SPECIALTIES INC.,**  
Whitby (CA)

(72) Inventor: **Martin Kehoe, Whitby (CA)**

(73) Assignee: **PRODUCT SPECIALTIES INC.,**  
Whitby, Ontario (CA)

(\*\*) Term: **15 Years**

(21) Appl. No.: **29/627,055**

(22) Filed: **Nov. 22, 2017**

(30) **Foreign Application Priority Data**

Jul. 21, 2017 (CA) ..... 176061

(51) **LOC (11) Cl.** ..... **09-02**

(52) **U.S. Cl.**  
USPC ..... **D3/202**

(58) **Field of Classification Search**

USPC .... D3/201, 202; D7/625, 619.1, 619.2, 509,  
D7/510; D9/560, 517, 523, 526, 529,  
D9/715, 719, 436, 447

(Continued)

(56) **References Cited**

**U.S. PATENT DOCUMENTS**

D341,084 S \* 11/1993 Bareiss ..... D9/516  
D345,916 S \* 4/1994 Bondewel ..... D9/516

(Continued)

*Primary Examiner* — John Windmuller

*Assistant Examiner* — Steven J Czyz

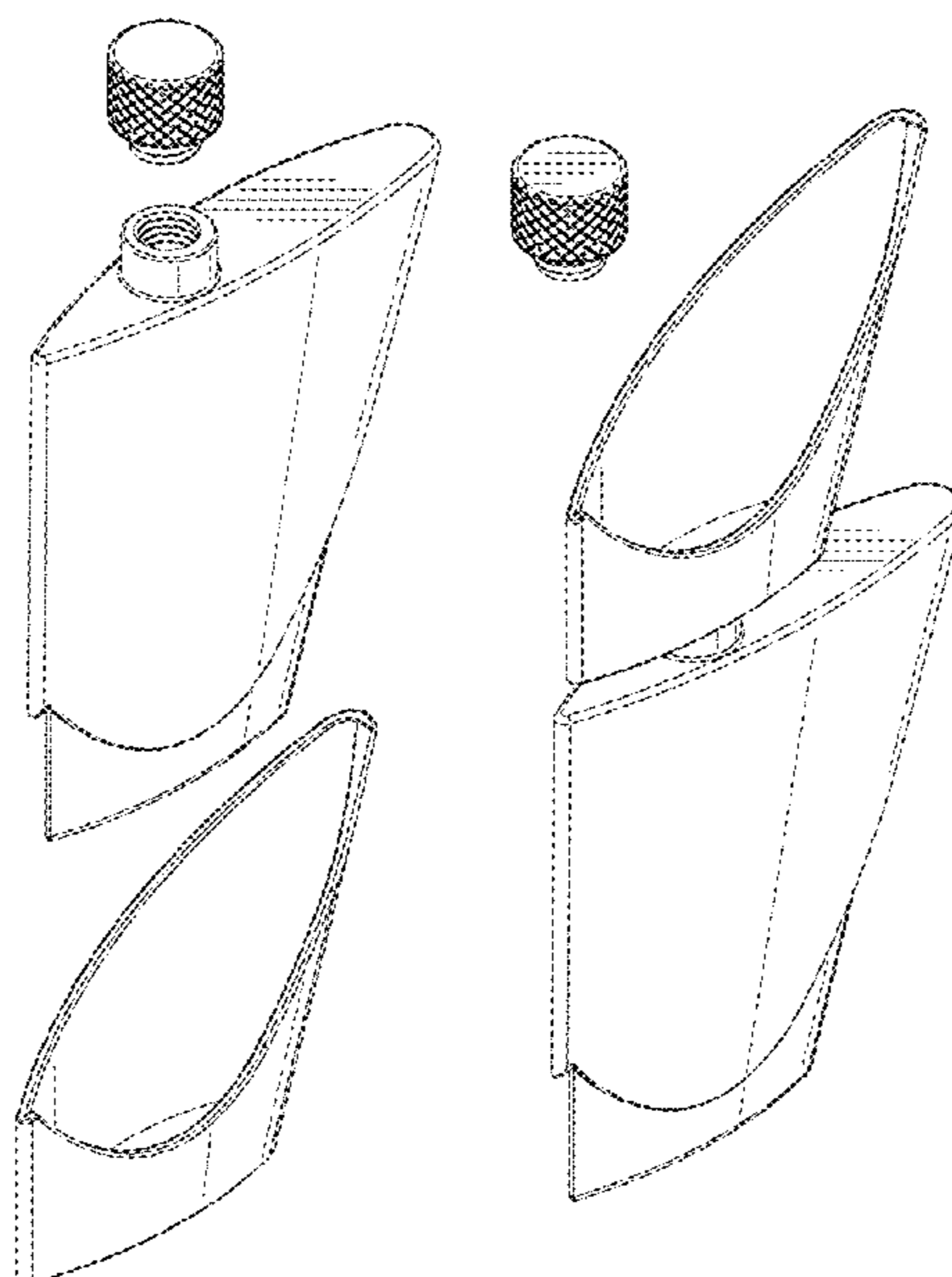
(57) **CLAIM**

The ornamental design for a flask with funnel, as shown and described.

**DESCRIPTION**

FIG. 1 is an exploded front and right perspective view of a flask with funnel;  
FIG. 2 is an exploded top plan view thereof;  
FIG. 3 is an exploded front and left perspective view thereof;  
FIG. 4 is an exploded right side view thereof;  
FIG. 5 is an exploded front view thereof;  
FIG. 6 is an exploded left side view thereof;  
FIG. 7 is an exploded bottom and right perspective view thereof;  
FIG. 8 is an exploded bottom and left perspective view thereof;  
FIG. 9 is bottom view thereof;  
FIG. 10 is a front and left perspective view of the flask with funnel;  
FIG. 11 is a top view thereof;  
FIG. 12 is a left and rear perspective view thereof;  
FIG. 13 is a front view thereof;  
FIG. 14 is a left side view thereof;  
FIG. 15 is a rearview thereof;  
FIG. 16 is a bottom, left, and front perspective view thereof;  
FIG. 17 is a bottom view thereof;  
FIG. 18 is a bottom, left, and rear perspective view thereof;  
FIG. 19 is a front right perspective view of the flask with funnel, shown with the cap removed and the funnel in use;  
FIG. 20 is a top view thereof;  
FIG. 21 is a front and left perspective view thereof;  
FIG. 22 is a right side view thereof;  
FIG. 23 is a front view thereof;  
FIG. 24 is a left side view thereof;  
FIG. 25 is a front, right, and bottom perspective view thereof;  
FIG. 26 is a bottom view thereof; and,  
FIG. 27 is a front, left, and bottom perspective view thereof.  
The broken lines depict portions of the article that form no part of the claimed design.

**1 Claim, 19 Drawing Sheets**



(58) **Field of Classification Search**

CPC ..... B65D 1/02; B65D 1/0223; B65D 41/04;  
B65D 41/26; B65D 2501/00; B65D  
2501/0081; A45F 3/16; A45F 2003/166  
See application file for complete search history.

(56) **References Cited**

U.S. PATENT DOCUMENTS

D389,742	S	*	1/1998	Toleman	.....	D9/523
D521,230	S	*	5/2006	Linz	.....	D3/202
D533,185	S	*	12/2006	Ishida	.....	D14/203.2
D604,165	S	*	11/2009	Gilbert	.....	D9/443
D614,497	S	*	4/2010	Pola	.....	D9/443
D641,255	S	*	7/2011	Williams	.....	D9/719
D702,433	S	*	4/2014	Romley	.....	D3/202
D718,044	S	*	11/2014	Vargo	.....	D3/202
D720,620	S	*	1/2015	Gerard	.....	D9/522
D746,261	S	*	12/2015	Silvera	.....	D14/207
D812,894	S	*	3/2018	Hume	.....	D3/202

\* cited by examiner

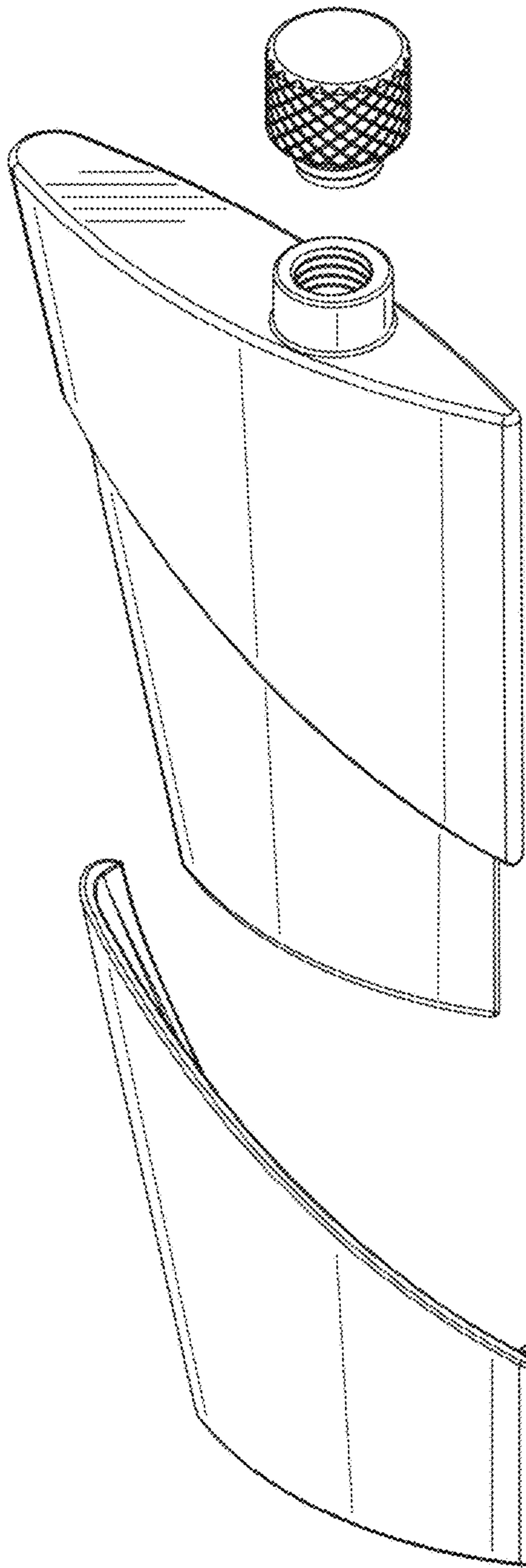


Fig 1.

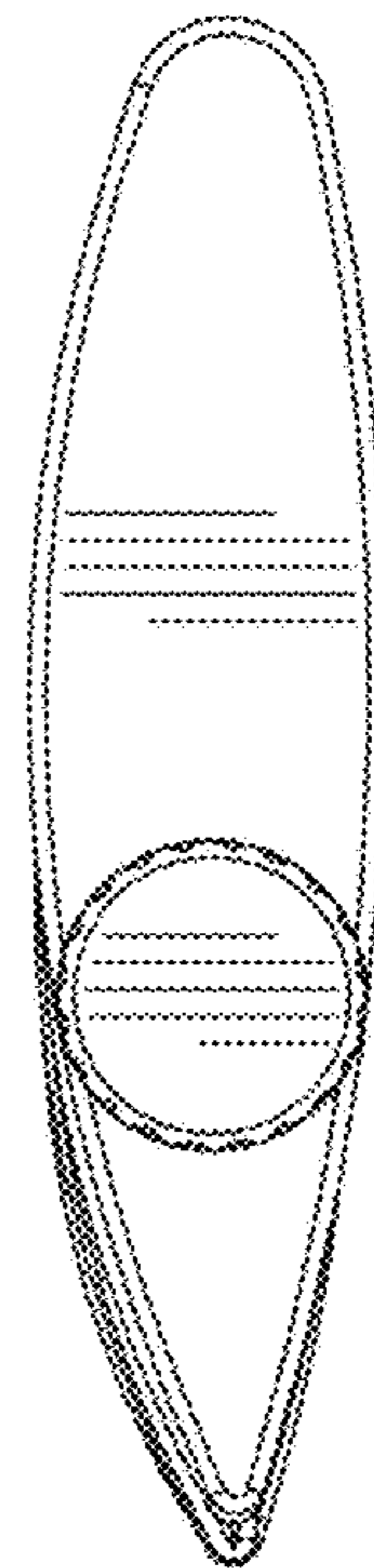


Fig 2.

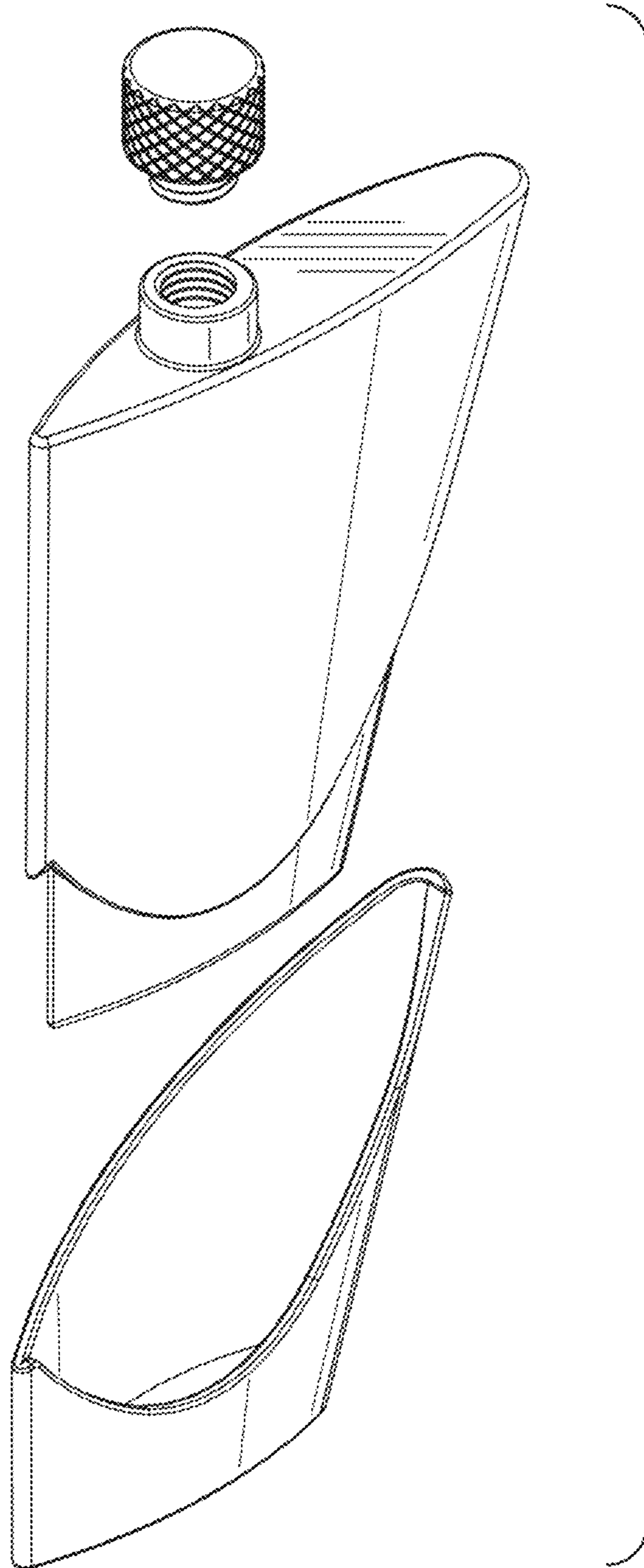


Fig 3.

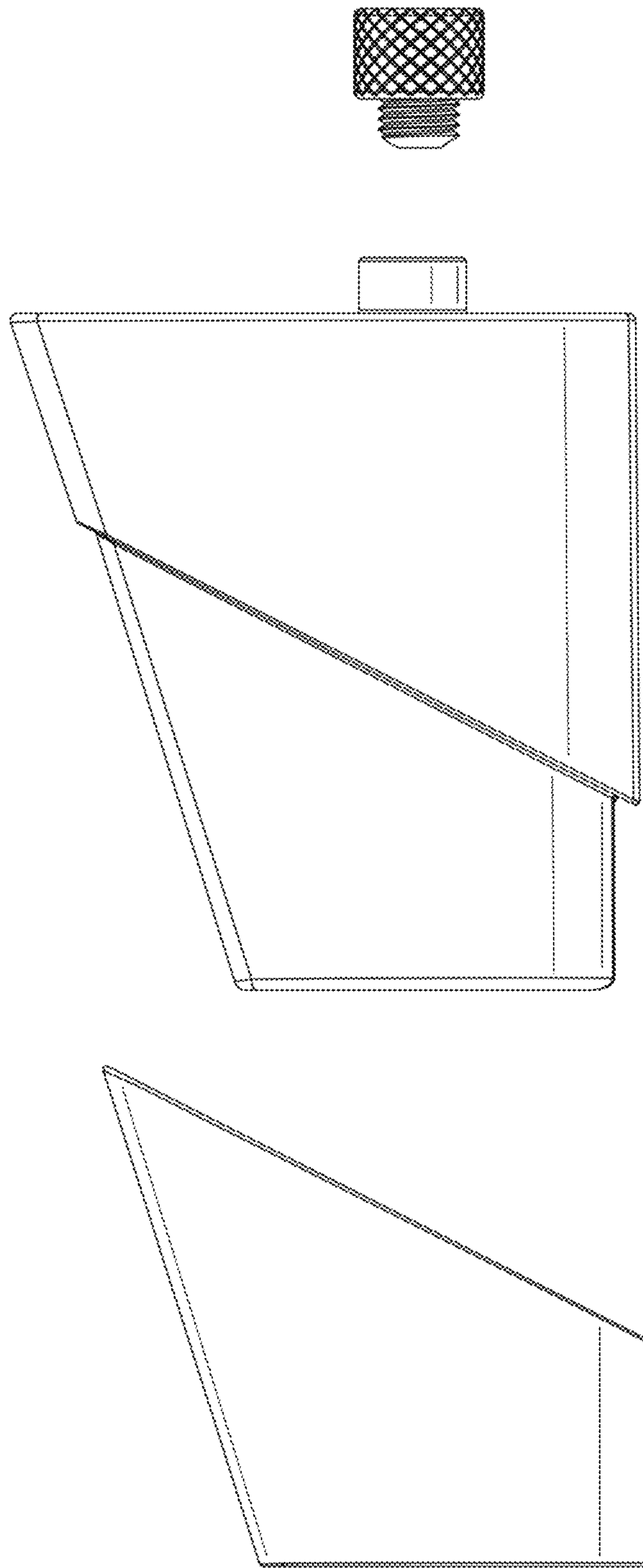


Fig 4.

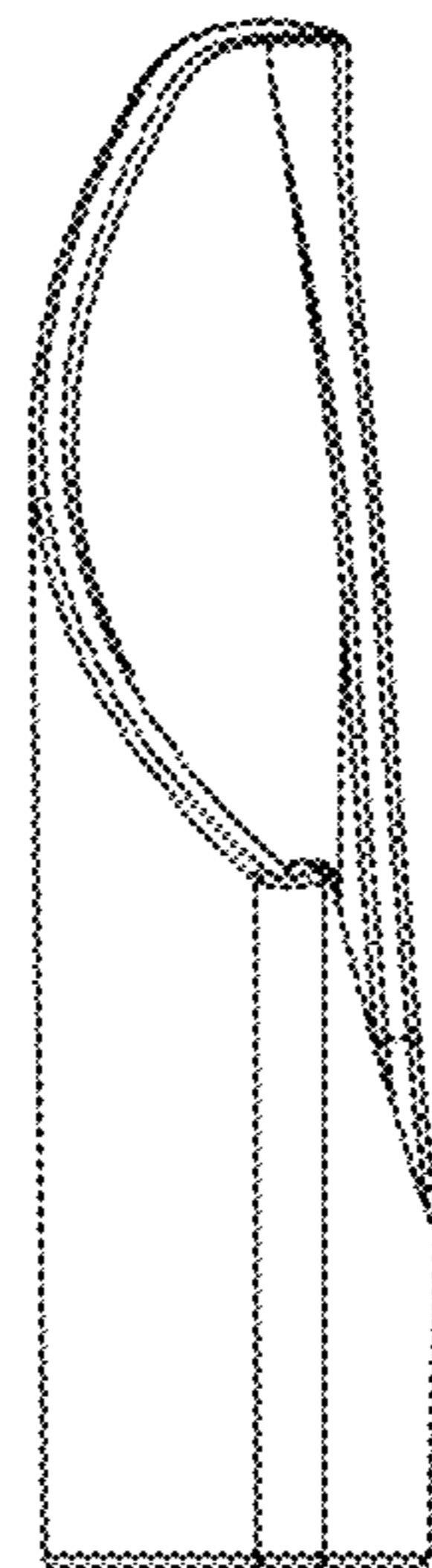
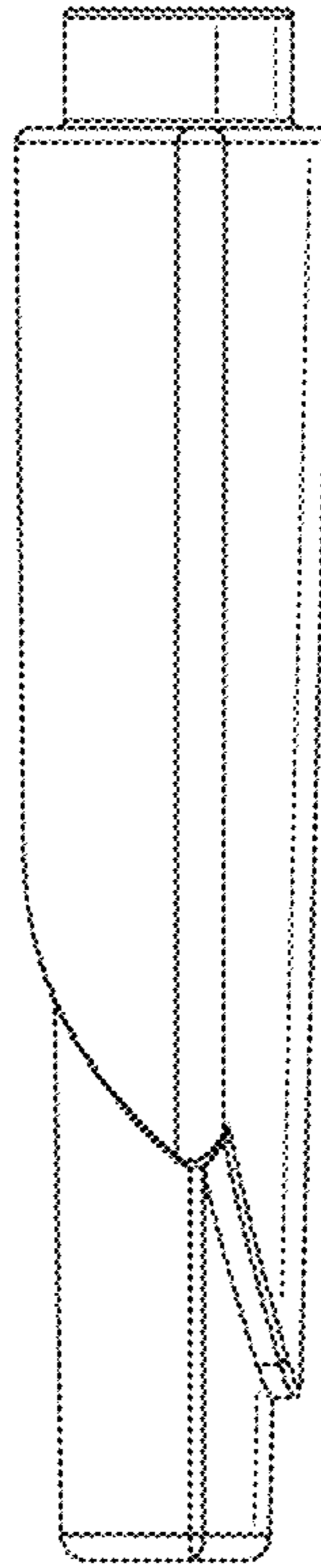
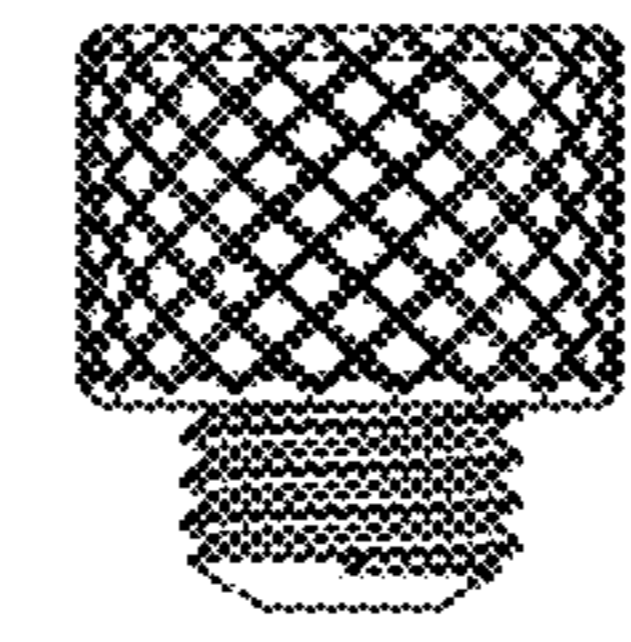
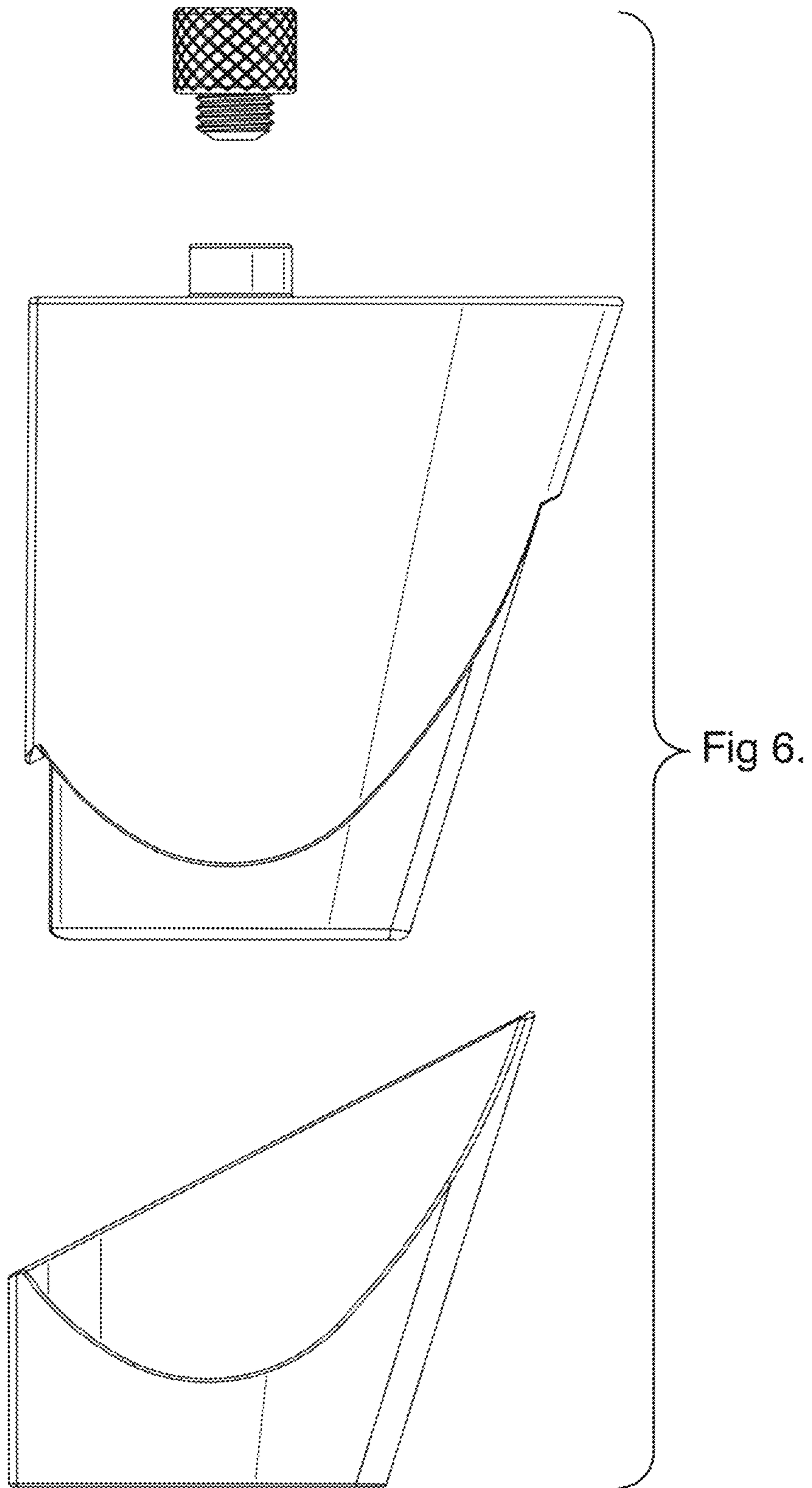
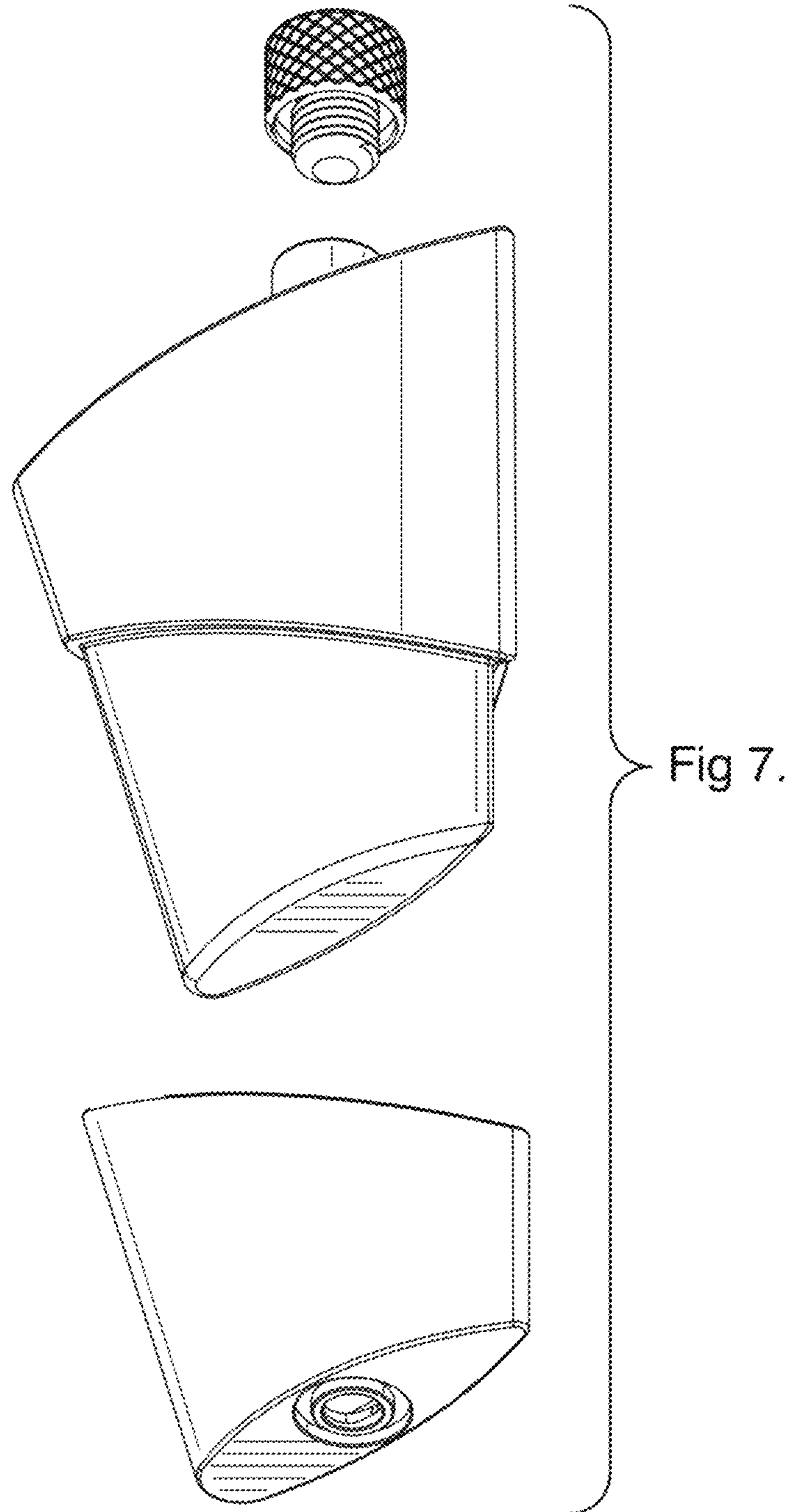


Fig 5.







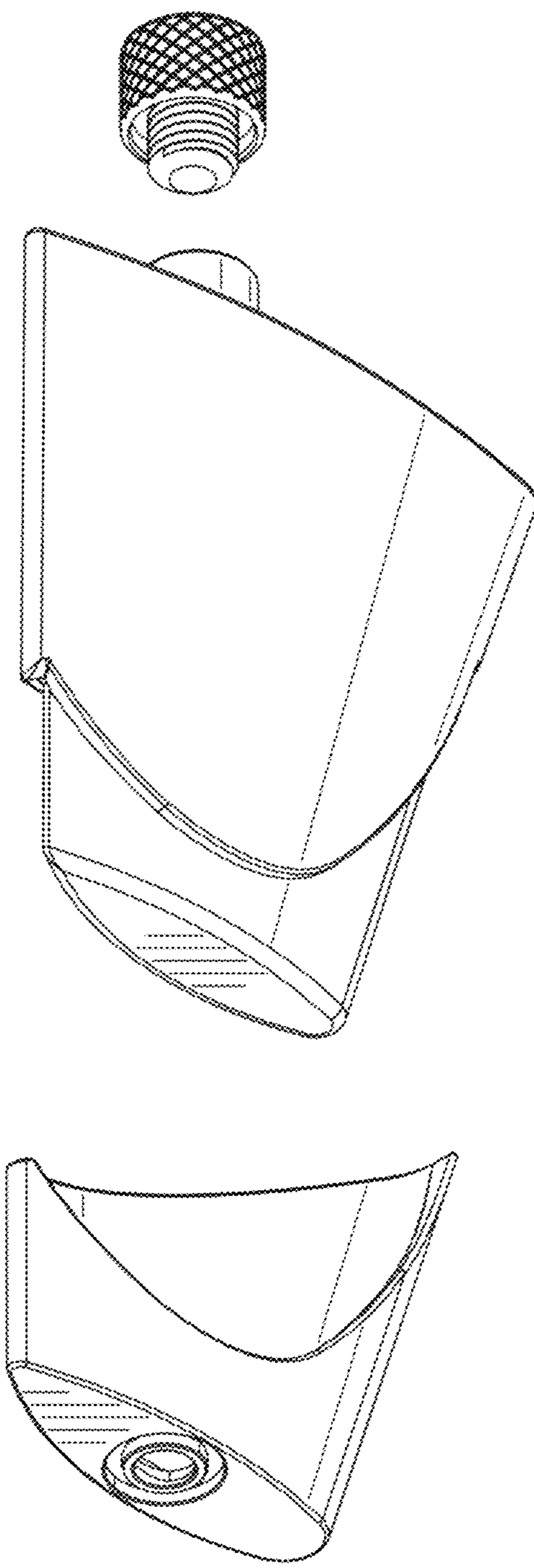


Fig 8.

Fig 9.

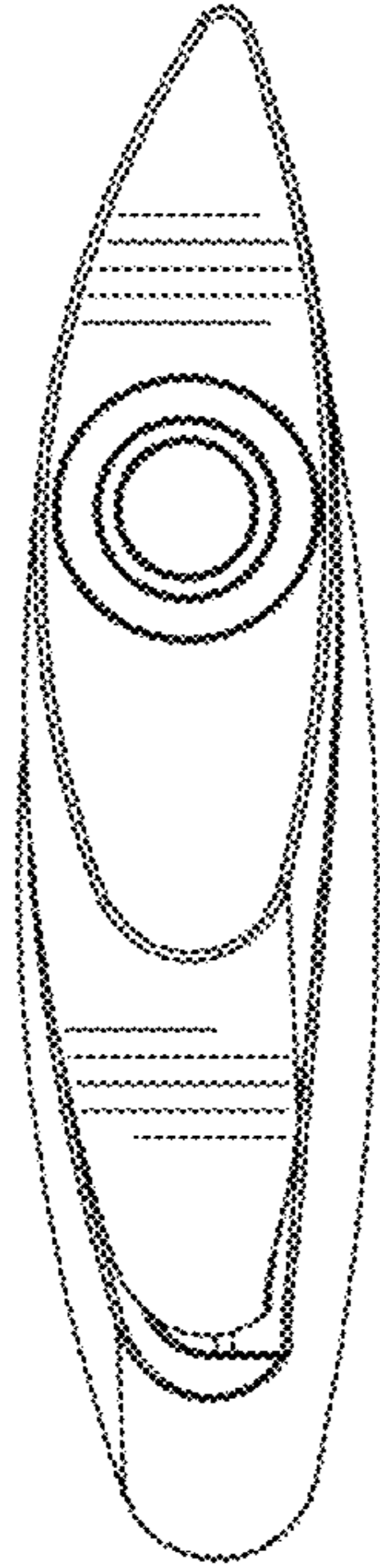


Fig 10.

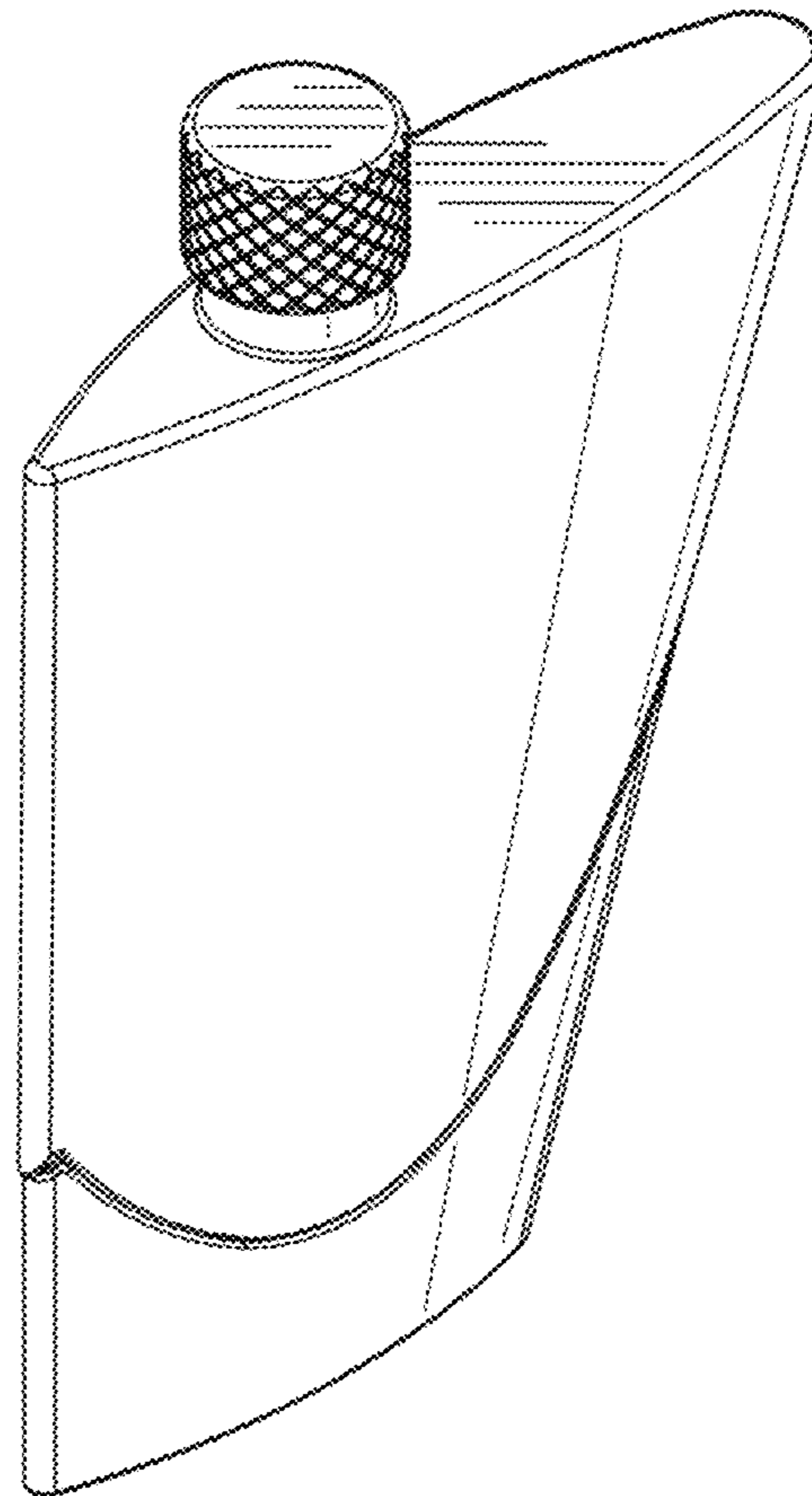


Fig 11.

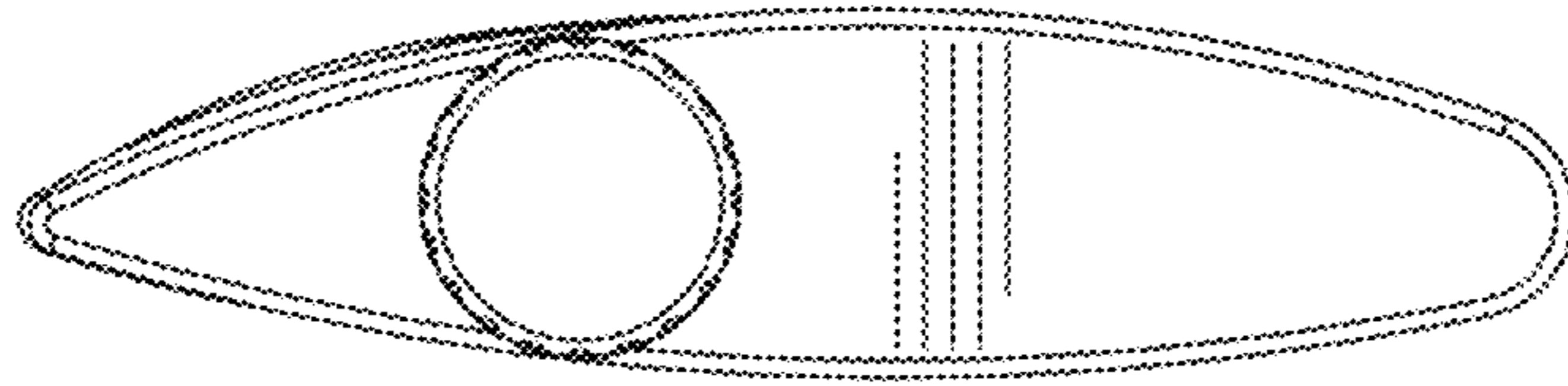


Fig 12.

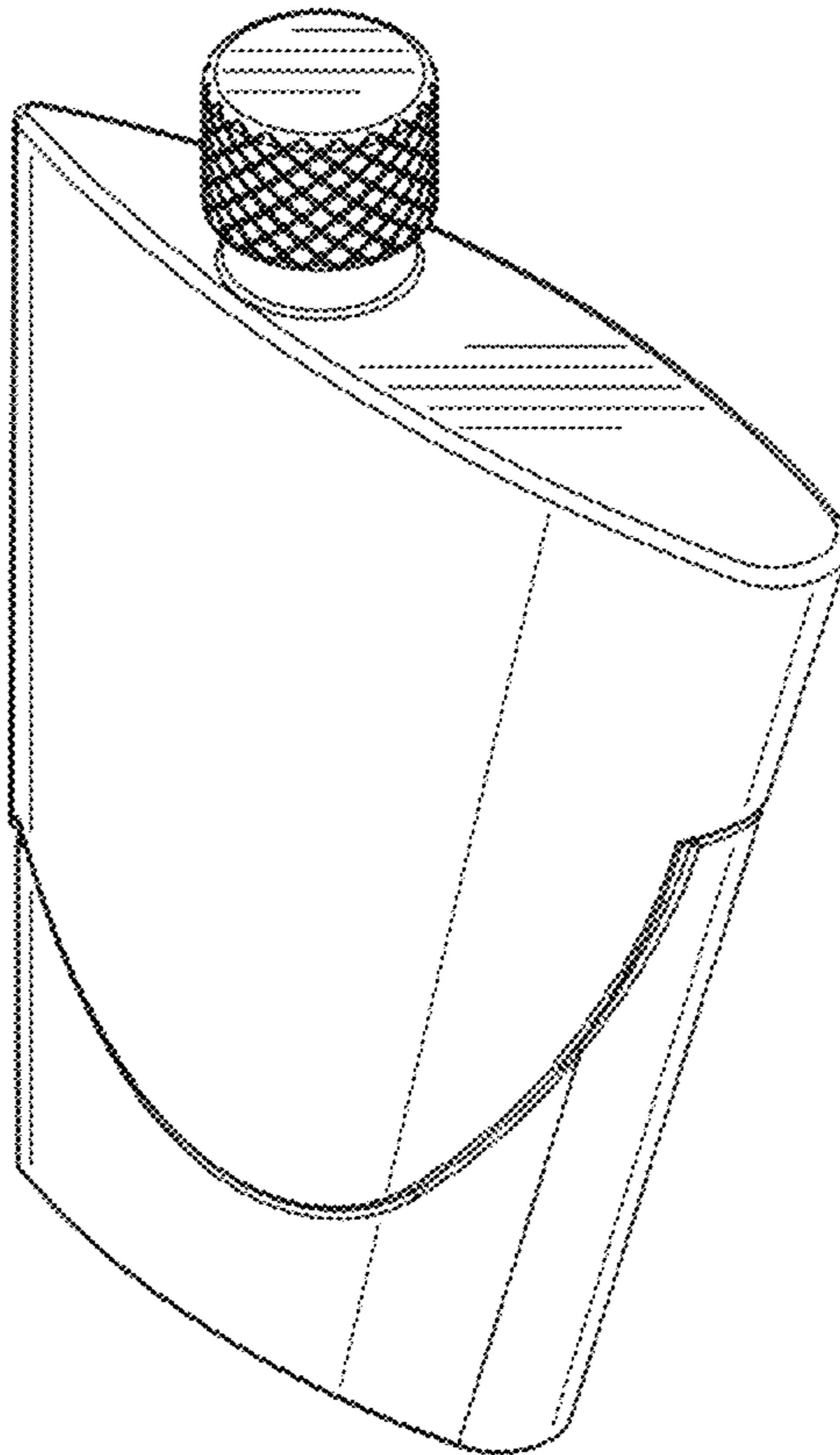


Fig 13.

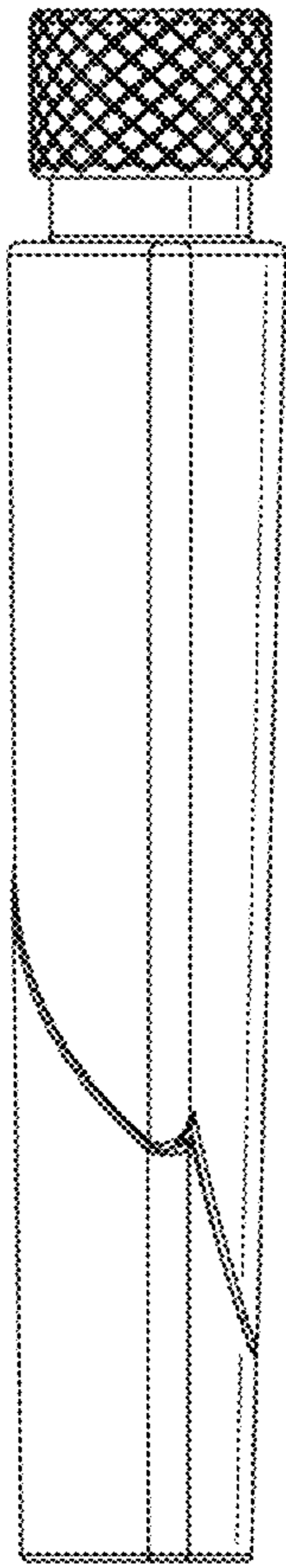


Fig 14.

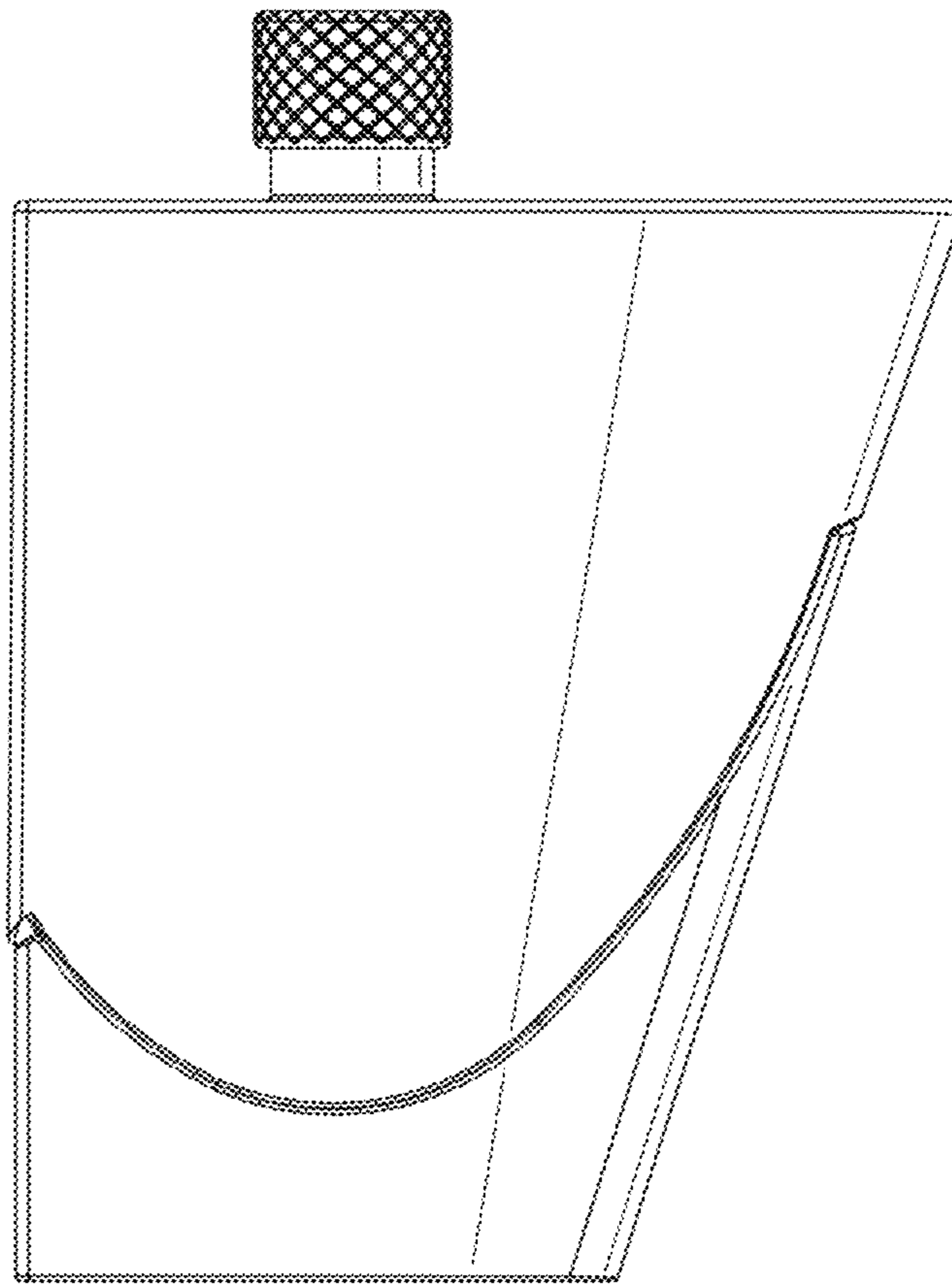


Fig 15.

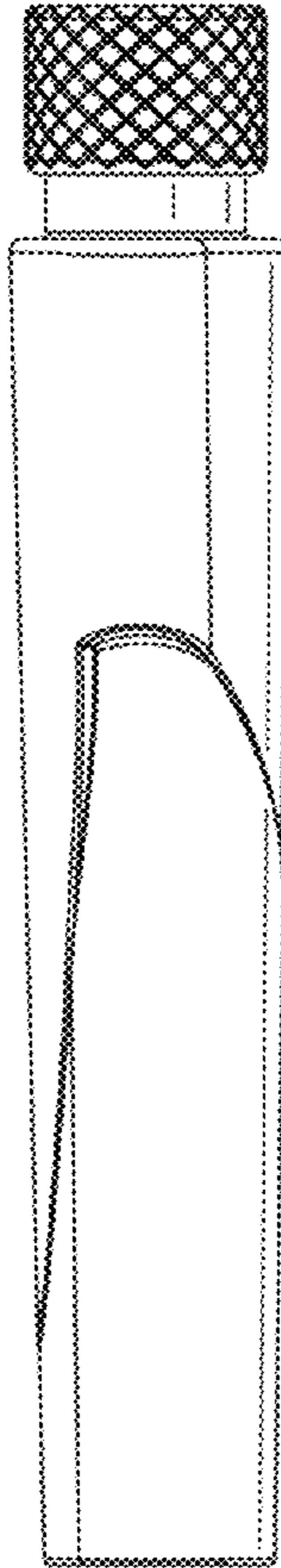


Fig 16.

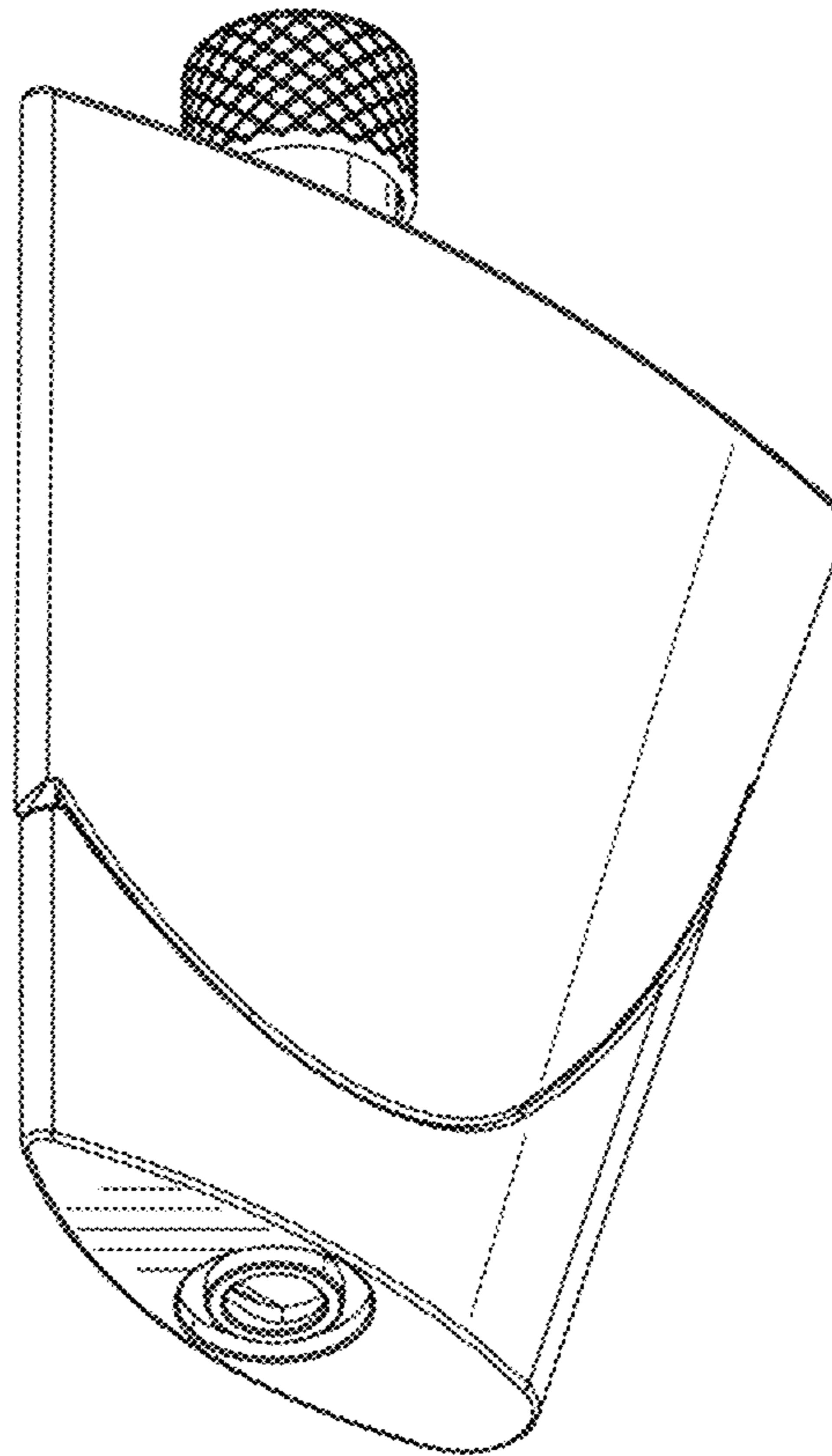


Fig 17.

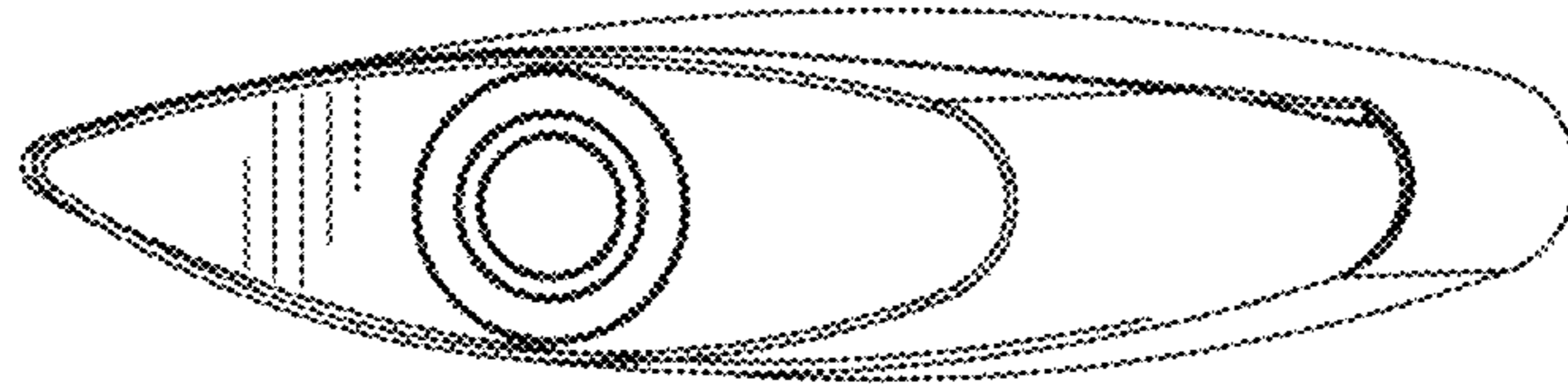
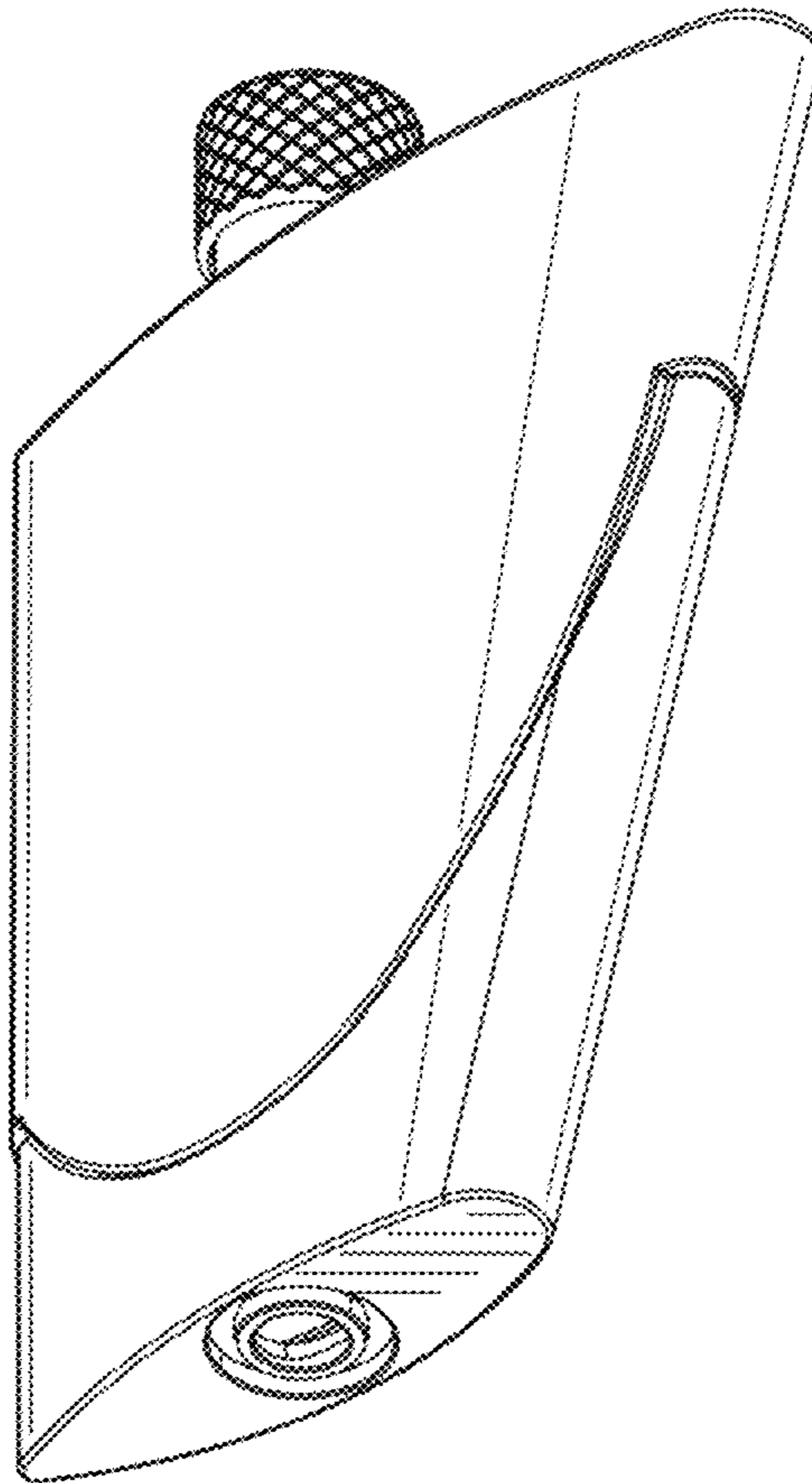


Fig 18.



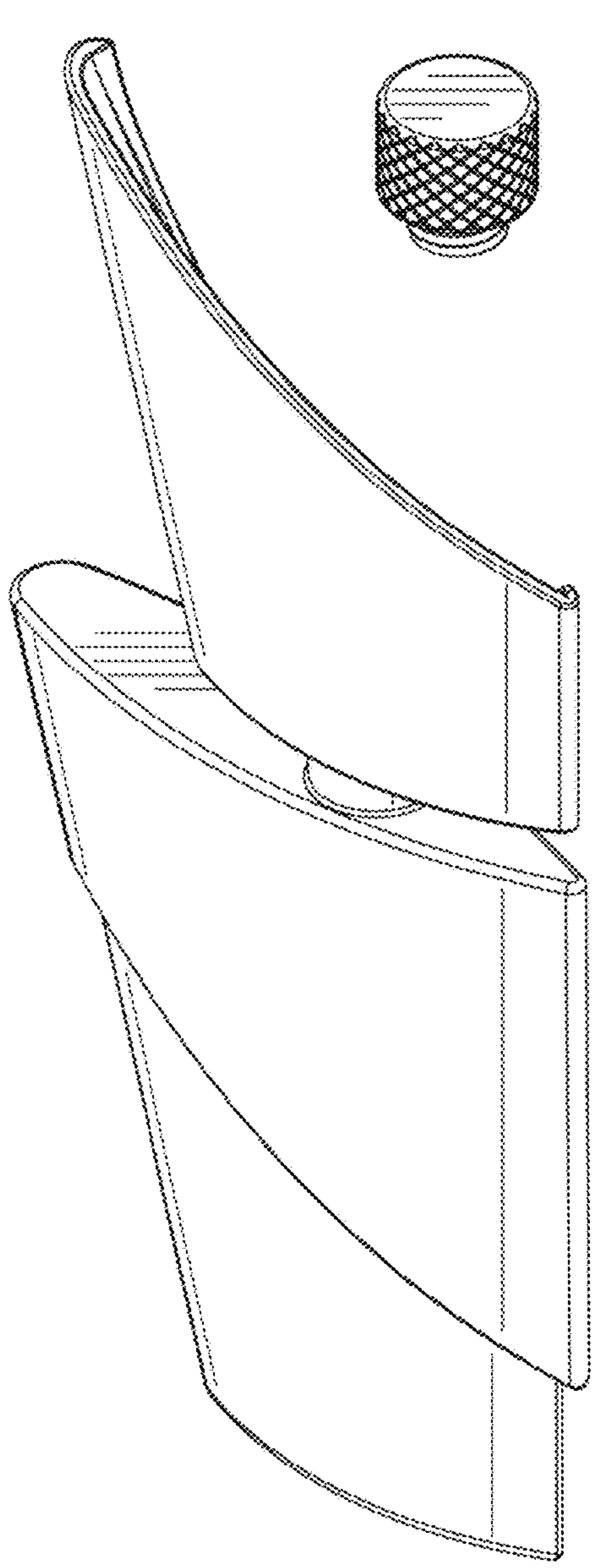


Fig 19.

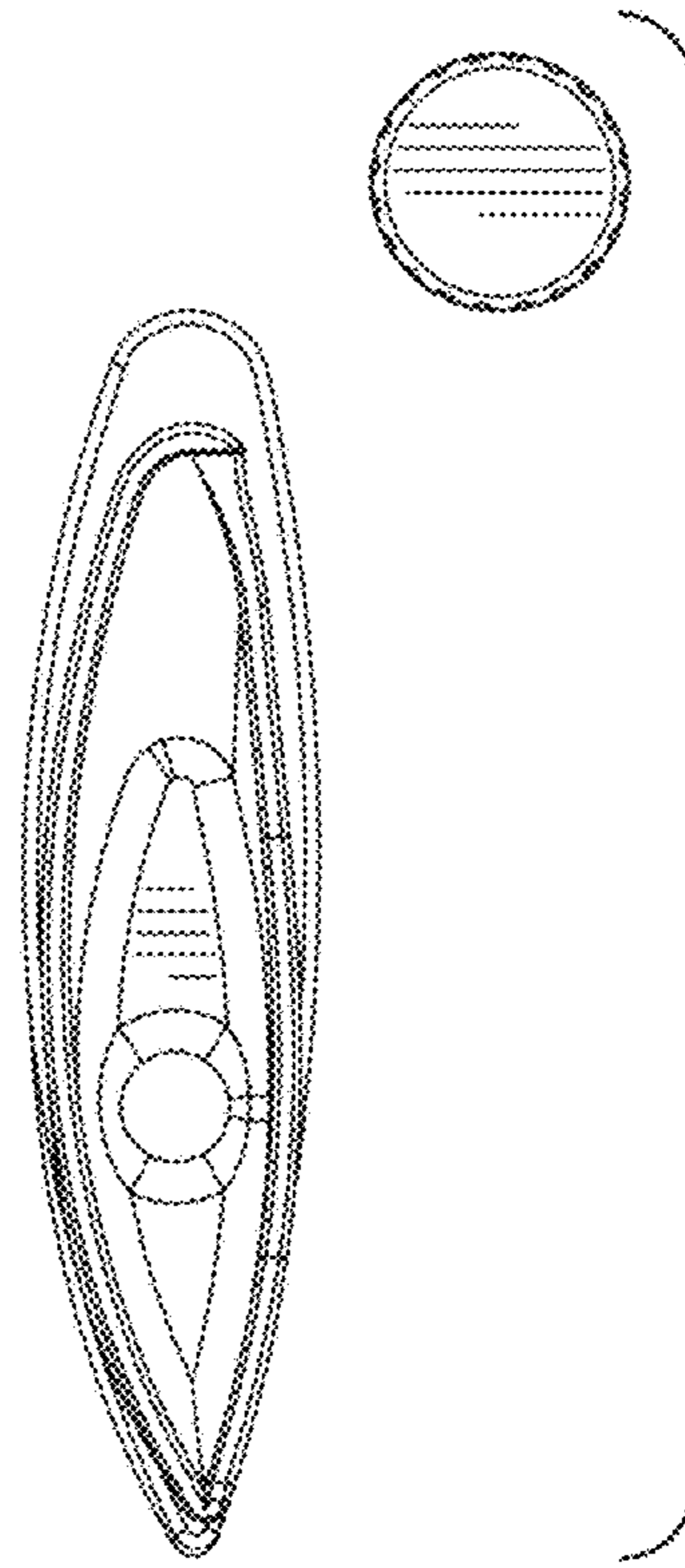


Fig 20.

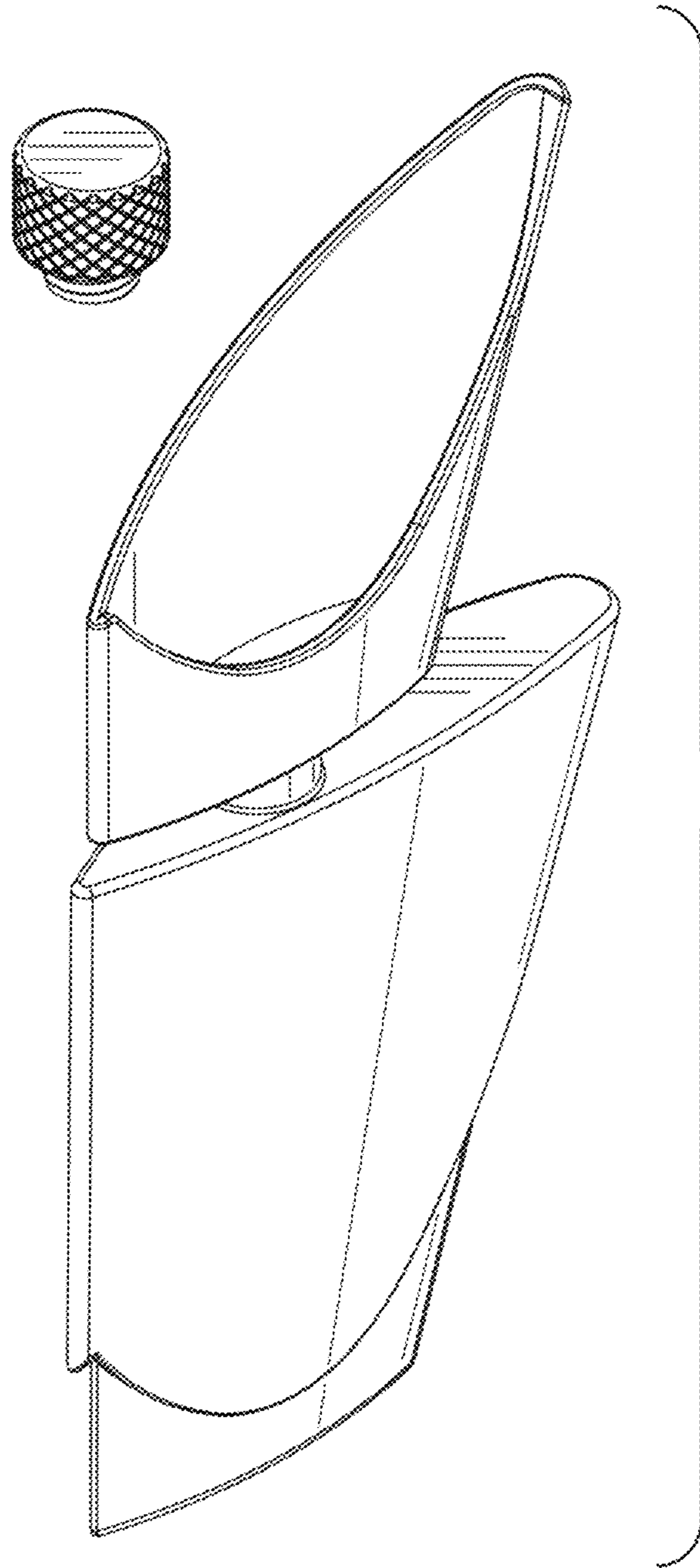
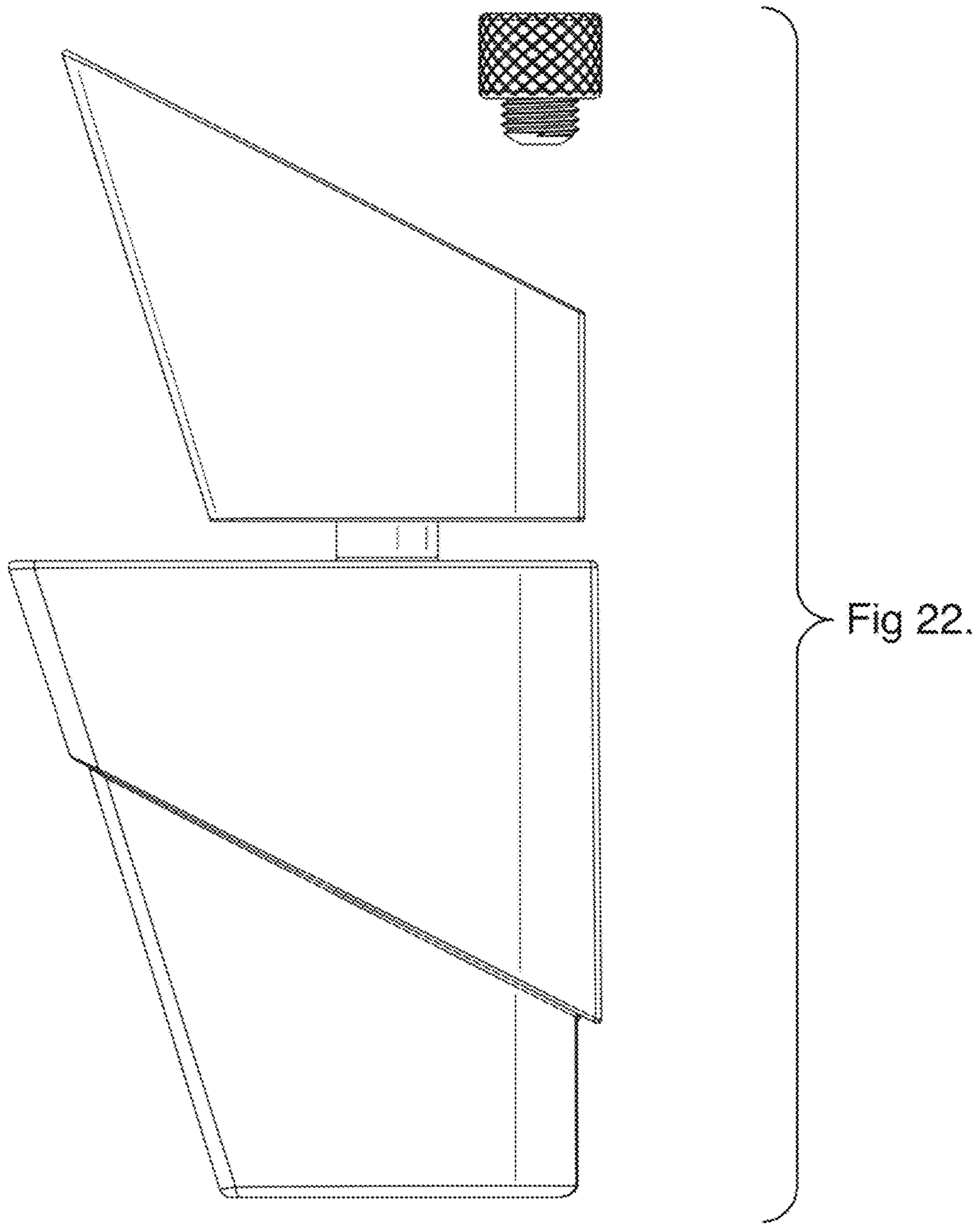


Fig 21.





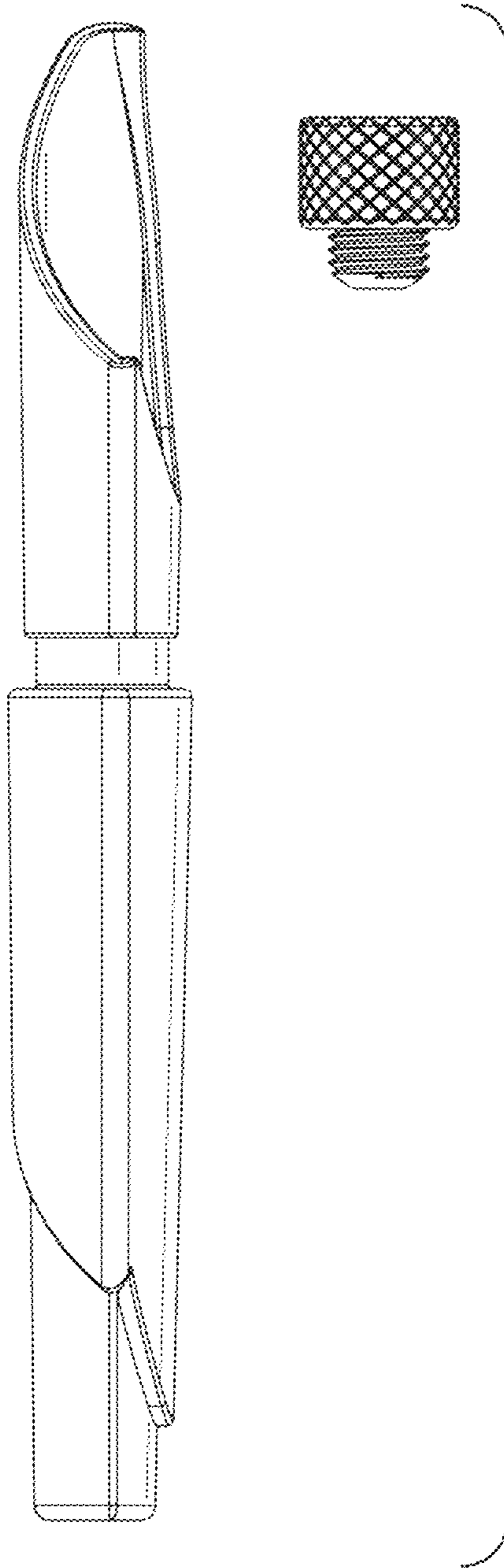
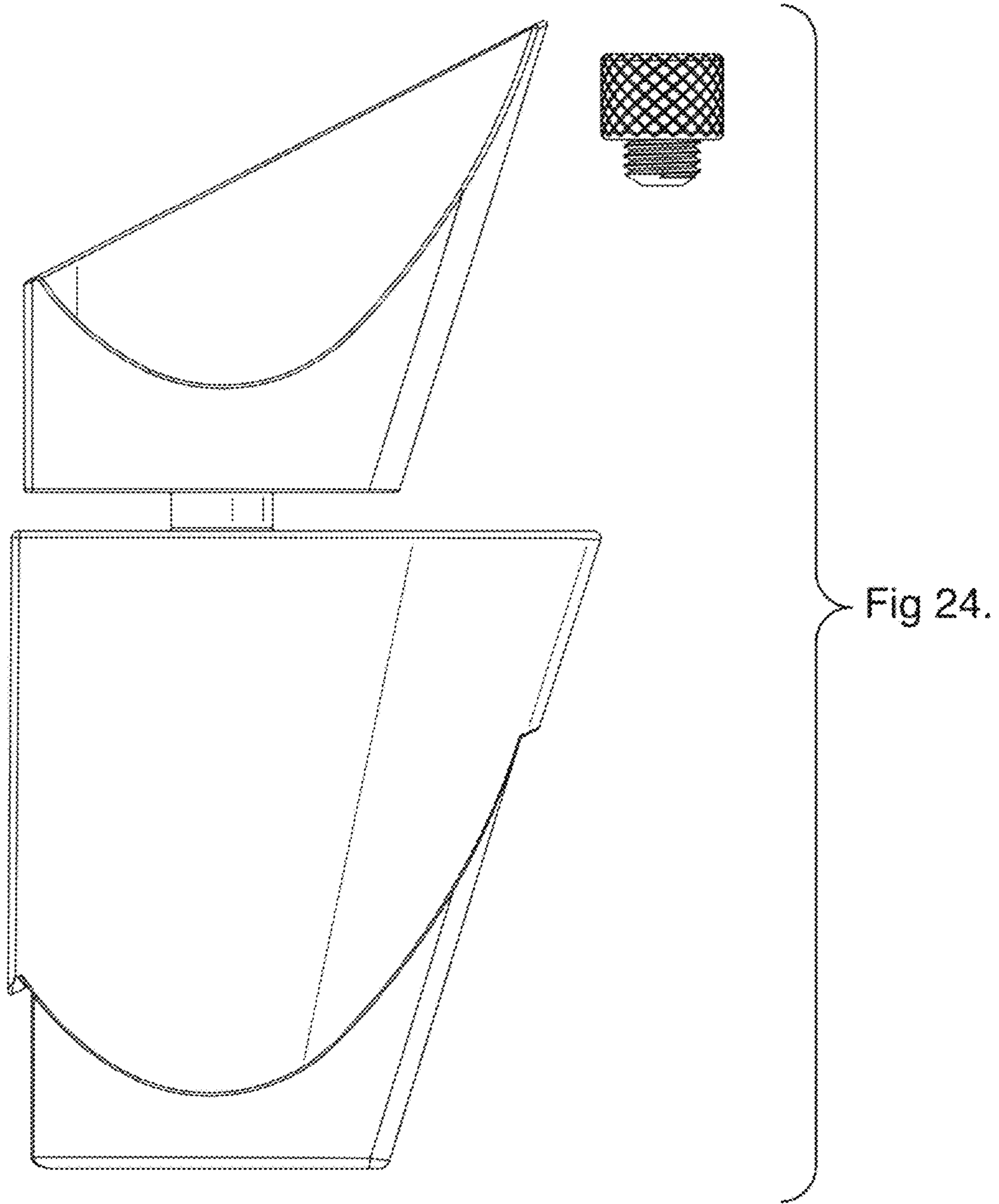


Fig 23.



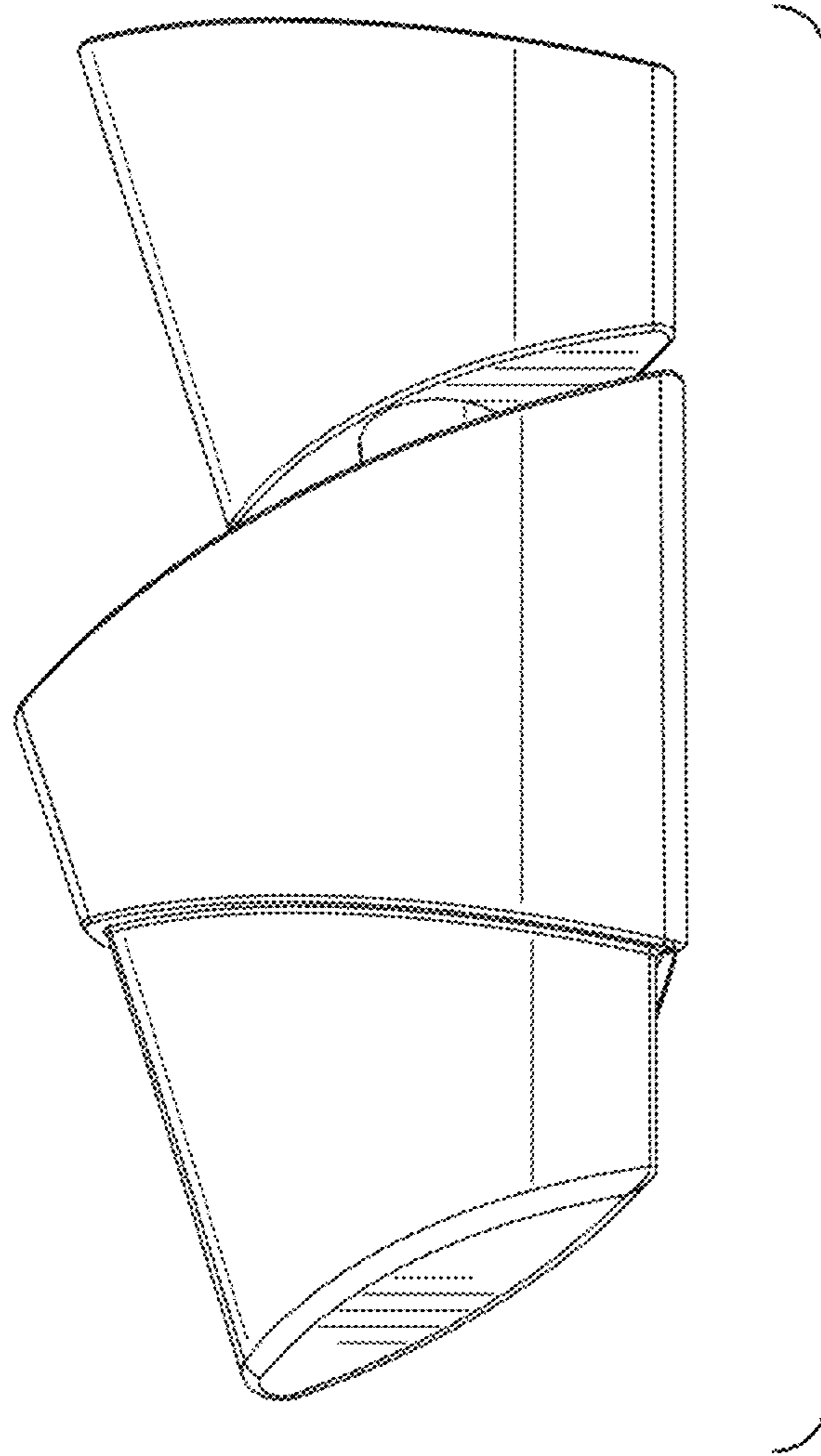
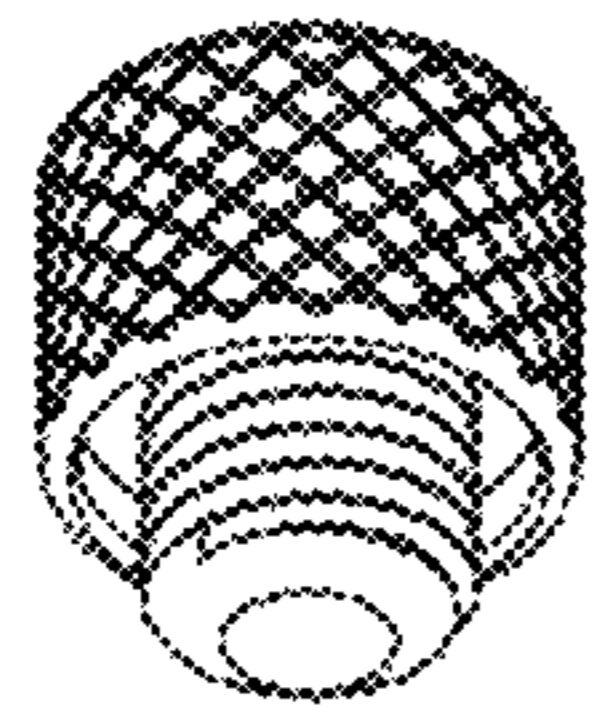


Fig 25.

