



US00D836904S

(12) **United States Design Patent** (10) **Patent No.:** **US D836,904 S**
Arman (45) **Date of Patent:** **** Jan. 1, 2019**

(54) **FLASK**
(71) Applicant: **Justin Arman**, New Braunfels, TX (US)
(72) Inventor: **Justin Arman**, New Braunfels, TX (US)
(**) Term: **15 Years**
(21) Appl. No.: **29/623,832**
(22) Filed: **Oct. 27, 2017**
(51) **LOC (11) Cl.** **09-02**
(52) **U.S. Cl.**
USPC **D3/202**
(58) **Field of Classification Search**
USPC D3/201, 202; D7/625, 619.1, 619.2, 509, D7/510; D9/560, 517, 523, 526, 529, D9/668, 715, 719, 436, 447
CPC B65D 1/02; B65D 1/0223; B65D 41/04; B65D 41/26; B65D 2501/00; B65D 2501/0081; A45F 3/16; A45F 2003/166
See application file for complete search history.

6,964,345 B2 * 11/2005 Wetherell, Jr. B65D 1/0223 215/10
D512,638 S * 12/2005 Baron D9/523
D521,230 S * 5/2006 Linz D3/202
D522,872 S * 6/2006 Lascaux D9/544
D533,185 S * 12/2006 Ishida D14/203.2
D539,150 S * 3/2007 Leoncavallo D9/454
D562,138 S * 2/2008 Warner D9/522
D589,355 S * 3/2009 Rica D9/544
D598,644 S * 8/2009 Solari D3/202
D653,847 S * 2/2012 Seals D3/202
D693,227 S * 11/2013 Gonzalez Rodriguez D9/544
D702,433 S * 4/2014 Romley D3/202
D718,044 S * 11/2014 Vargo D3/202
D720,620 S * 1/2015 Gerard D9/522
D730,317 S * 5/2015 Silvera D14/207
D736,517 S * 8/2015 Lee D3/202
D746,261 S * 12/2015 Silvera D14/207
D758,868 S * 6/2016 Bretschneider D9/520
D775,530 S * 1/2017 Gayner D9/563
D795,076 S * 8/2017 Andran D9/546
D802,431 S * 11/2017 Thompson D9/541

(Continued)

Primary Examiner — John Windmuller
Assistant Examiner — Steven J Czyz
(74) *Attorney, Agent, or Firm* — Grossman, Tucker, Perreault & Pflieger, PLLC

(56) **References Cited**

U.S. PATENT DOCUMENTS

D53,666 S * 7/1919 Schwidetzky D9/522
1,846,720 A * 2/1932 Guild B65D 39/08 220/291
D254,596 S * 4/1980 Spigelman D9/522
D260,367 S * 8/1981 Grip D9/571
4,750,629 A * 6/1988 Young B29C 49/6436 206/37
D340,864 S * 11/1993 De Rothschild D9/522
D388,331 S * 12/1997 Haner D9/571
D396,009 S * 7/1998 Reubens D9/530
D407,210 S * 3/1999 Lauth, III D3/202
D413,432 S * 9/1999 Much D3/202
D423,370 S * 4/2000 Lewin D9/516

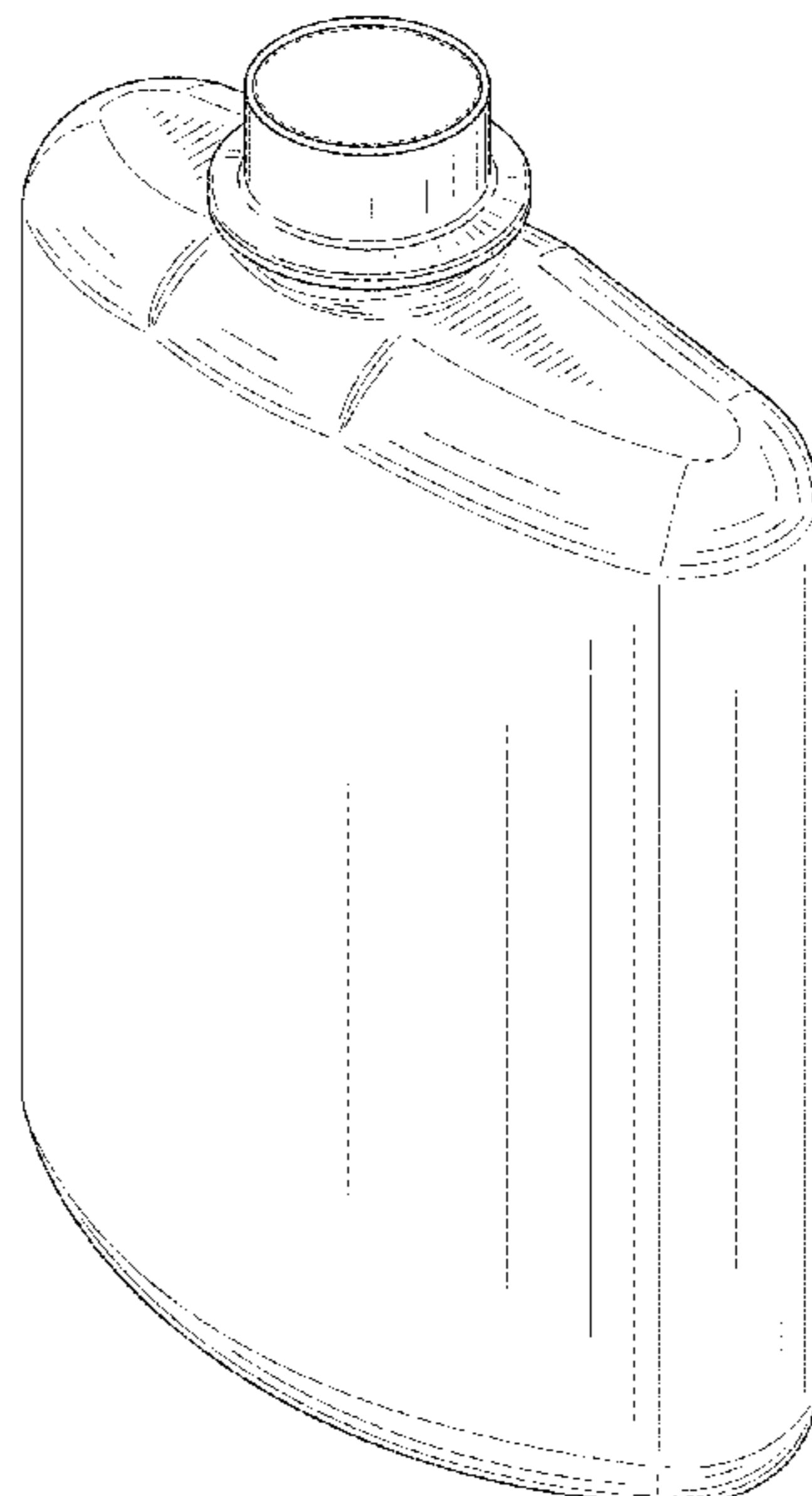
(57) **CLAIM**

The ornamental design for a flask, as shown and described.

DESCRIPTION

FIG. 1 is a perspective view of a flask of the present invention;
FIG. 2 is a front view thereof;
FIG. 3 is a rear view thereof;
FIG. 4 is a top view thereof;
FIG. 5 is a bottom view thereof;
FIG. 6 is a left view thereof; and,
FIG. 7 is a right view thereof.

1 Claim, 7 Drawing Sheets



(56)

References Cited

U.S. PATENT DOCUMENTS

D812,894 S *	3/2018	Hume	D3/202
D815,542 S *	4/2018	Harris	D9/574
D816,983 S *	5/2018	LiCalsi	D3/202
D818,370 S *	5/2018	Harris	D9/574
2002/0139797 A1 *	10/2002	Danze	A45C 7/005
			220/4.27
2004/0020950 A1 *	2/2004	Overbay	A45F 3/18
			224/148.7
2005/0247732 A1 *	11/2005	Duke	B65D 75/5883
			222/183

* cited by examiner

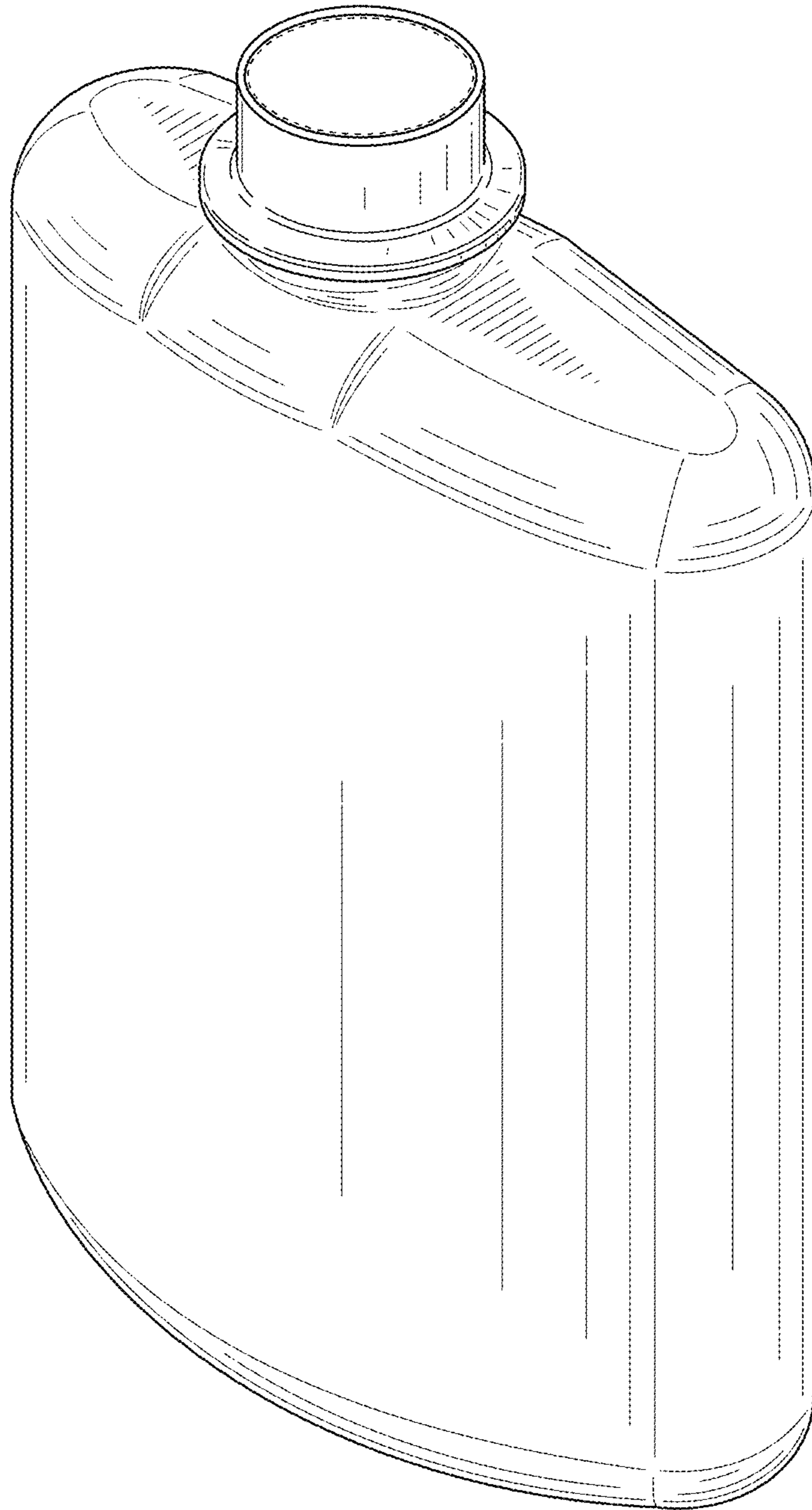


FIG. 1

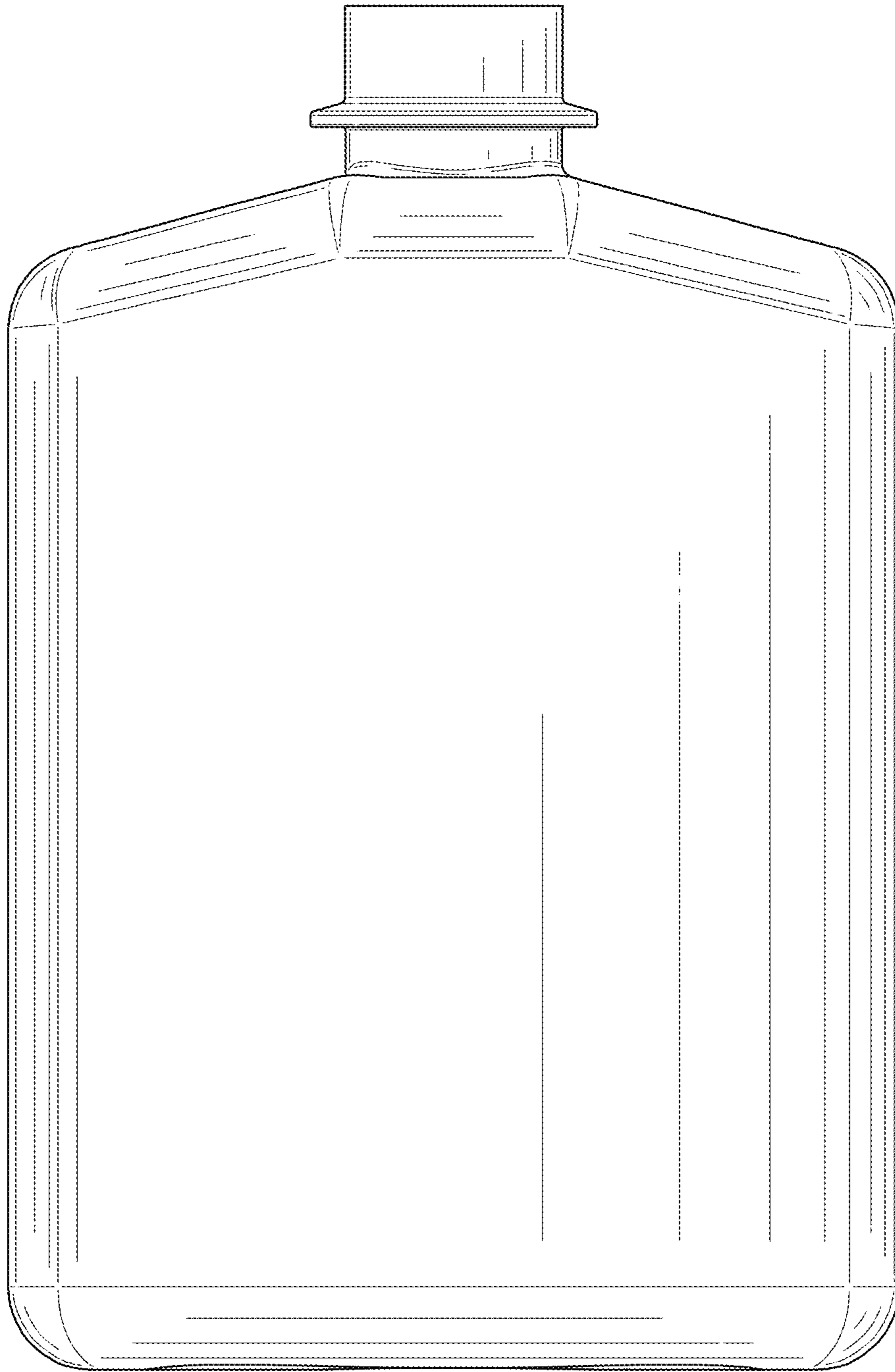


FIG. 2

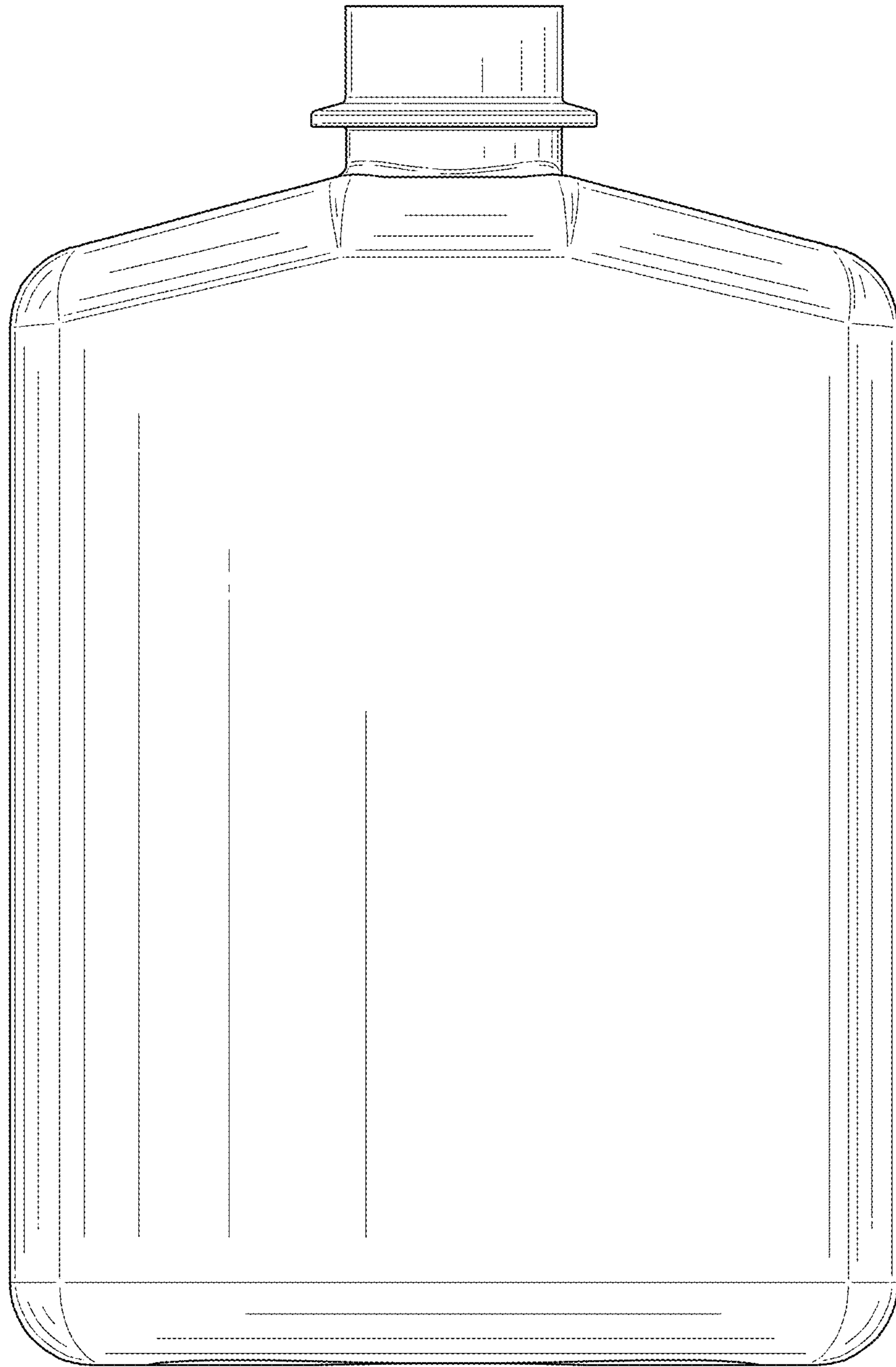


FIG. 3

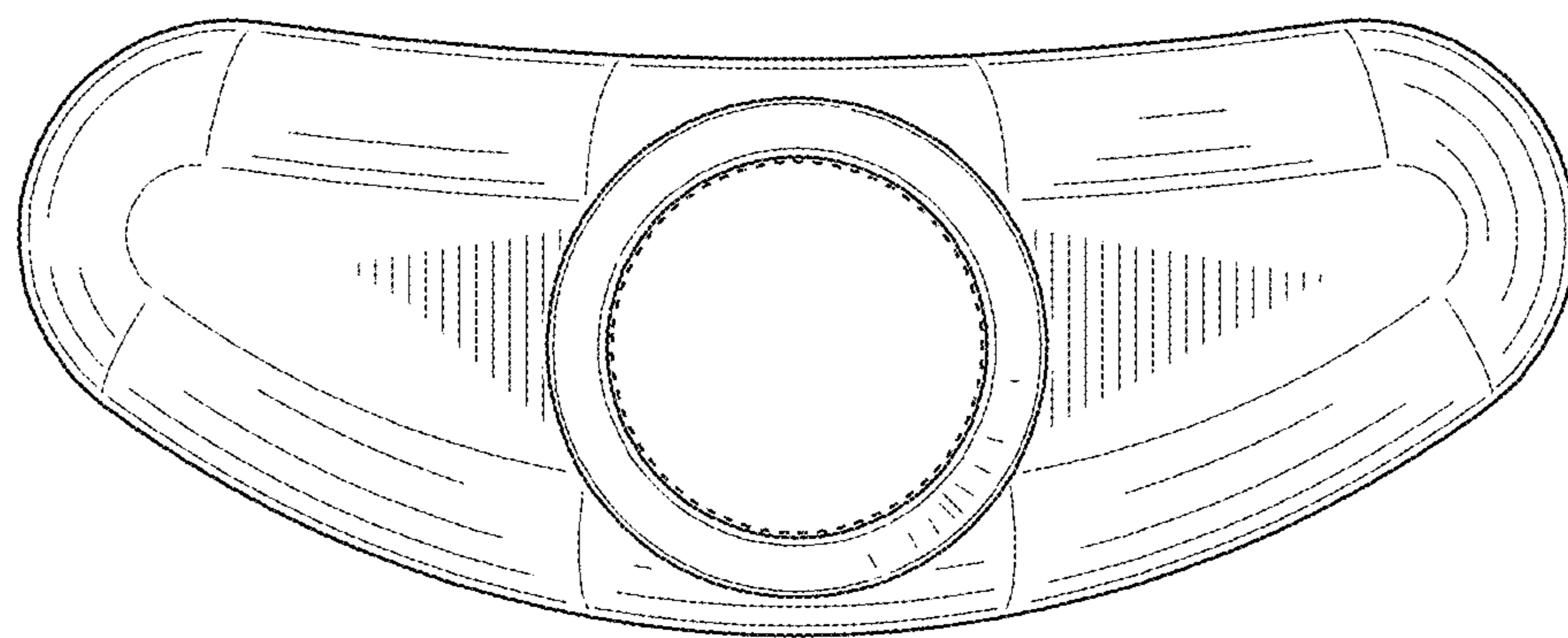


FIG. 4

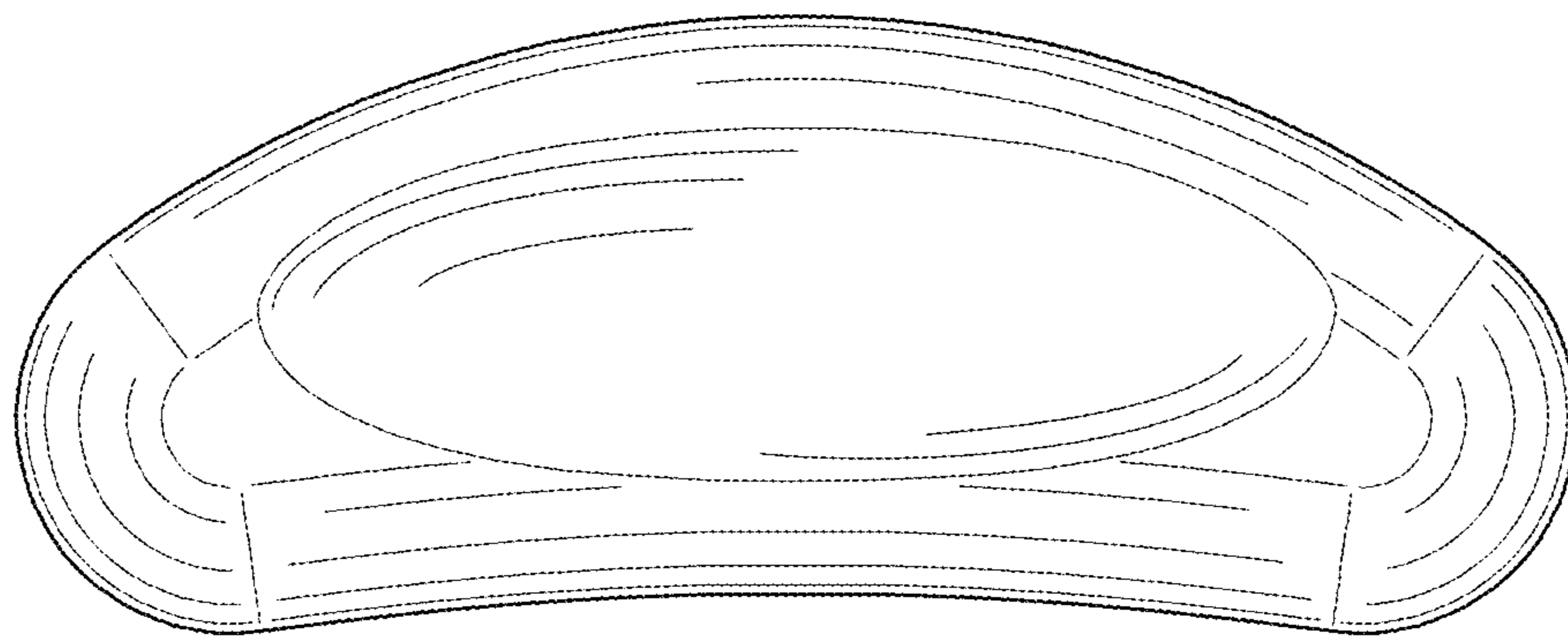


FIG. 5

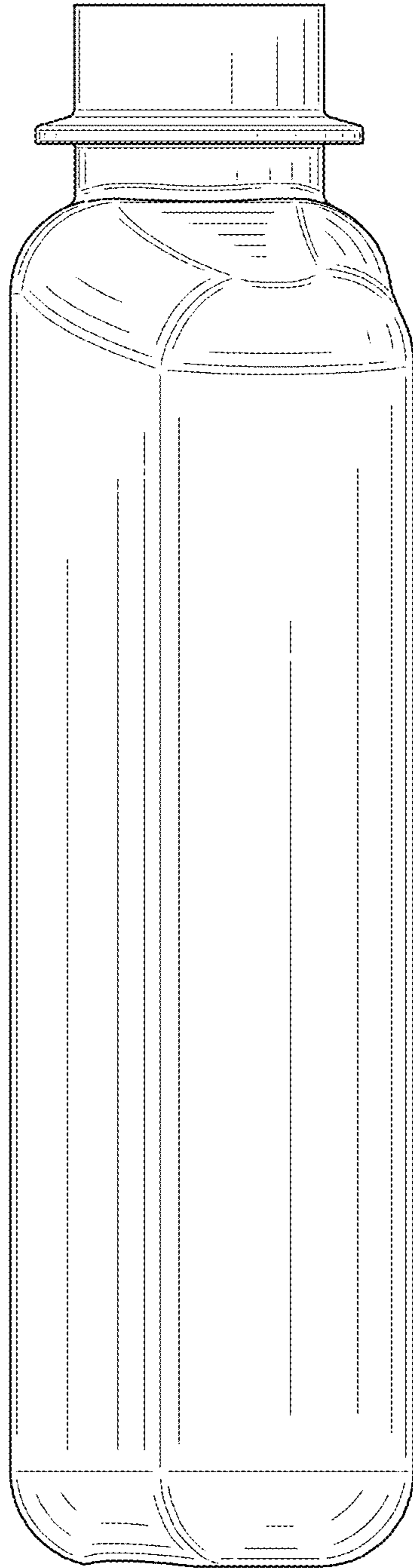


FIG. 6

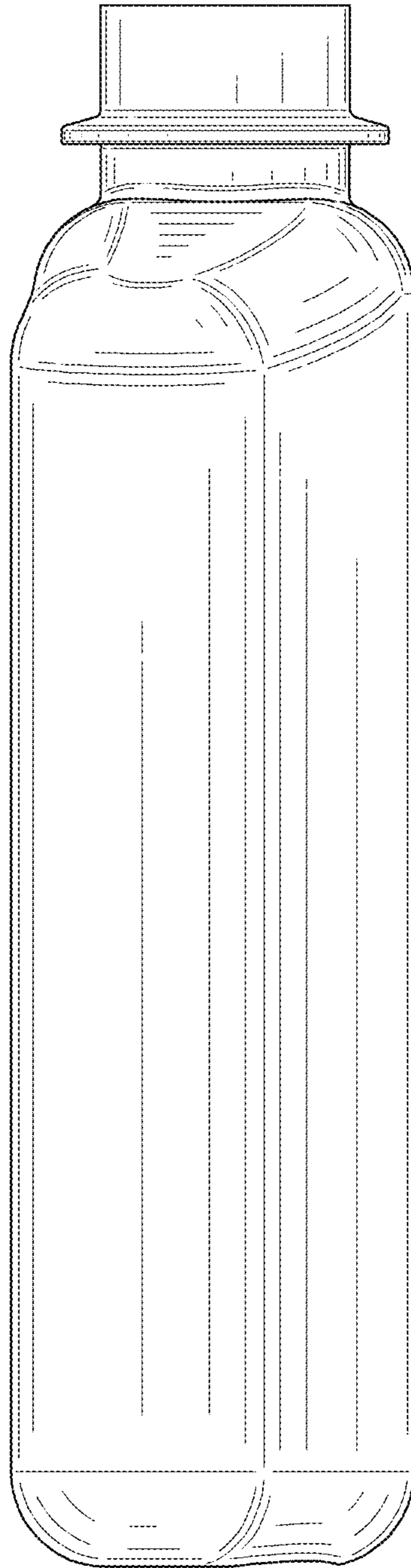


FIG. 7