



US00D836903S

(12) **United States Design Patent** (10) **Patent No.:** **US D836,903 S**
Lindsey (45) **Date of Patent:** **** *Jan. 1, 2019**

(54) **SHOE SAFETY STRAP**

(71) Applicant: **Perry T Lindsey**, Omaha, NE (US)

(72) Inventor: **Perry T Lindsey**, Omaha, NE (US)

(*) Notice: This patent is subject to a terminal disclaimer.

(**) Term: **15 Years**

(21) Appl. No.: **29/595,802**

(22) Filed: **Mar. 2, 2017**

Related U.S. Application Data

(63) Continuation-in-part of application No. 29/558,134, filed on Mar. 15, 2016.

(51) **LOC (11) Cl.** **02-07**

(52) **U.S. Cl.**
USPC **D2/978**

(58) **Field of Classification Search**
USPC D2/896, 901, 929, 946, 976, 978;
D29/122; D24/189, 190, 192
CPC ... A61F 13/00; A41D 13/0562; A43B 5/0415;
A43B 11/00; A43B 23/00
See application file for complete search history.

(56) **References Cited**

U.S. PATENT DOCUMENTS

- 4,489,719 A * 12/1984 Lapenskie A61F 13/066
36/89
- 4,991,234 A * 2/1991 Greenberg A41D 20/00
2/16
- 5,845,374 A * 12/1998 Briggs A63B 71/146
2/161.2
- D414,027 S * 9/1999 Andrews D2/978
- D435,145 S * 12/2000 Lindsey D29/100
- 6,205,623 B1 * 3/2001 Shepard A44B 18/0049
24/30.5 R

- 6,298,524 B1 * 10/2001 Officer A44B 18/00
24/30.5 R
- 7,096,544 B2 * 8/2006 Lusardi A45F 5/12
24/306
- 7,356,888 B2 * 4/2008 Chao A45F 5/00
24/306

(Continued)

OTHER PUBLICATIONS

“Attmu 50 pcs Reusable Fastening Cable Ties.” Found online Jan. 11, 2018 at [www.amazon.com](https://www.amazon.com/Attmu-Reusable-Fastening-Microfiber-6-Inch/dp/B00O9VKVFK/ref=sr_1_1_sspa?ie=UTF8&qid=1515694090&sr=8-1-spons&keywords=hook+and+loop+ties&psc=1). Page dated Oct. 8, 2014. Retrieved from URL: https://www.amazon.com/Attmu-Reusable-Fastening-Microfiber-6-Inch/dp/B00O9VKVFK/ref=sr_1_1_sspa?ie=UTF8&qid=1515694090&sr=8-1-spons&keywords=hook+and+loop+ties&psc=1 (Year: 2014).*

(Continued)

Primary Examiner — Garth Rademaker
Assistant Examiner — Katelin G Kloberg
(74) *Attorney, Agent, or Firm* — Sturm & Fix LLP

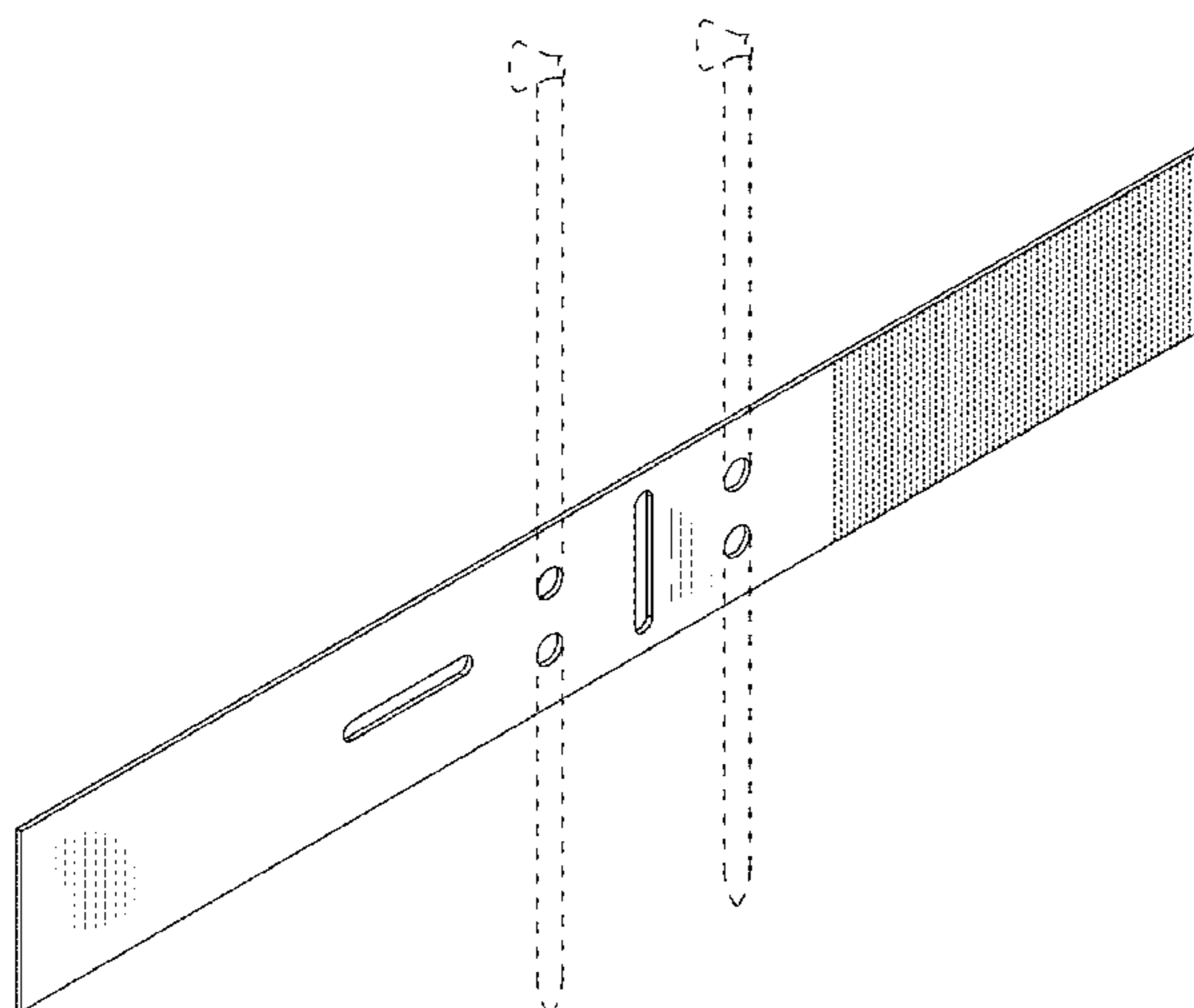
(57) **CLAIM**

The ornamental design for a shoe safety strap, as shown and described.

DESCRIPTION

FIG. 1 is a perspective view of the shoe safety strap showing my new design;
FIG. 2 is a top plan view thereof;
FIG. 3 is a bottom plan view thereof;
FIG. 4 is a front elevational view thereof;
FIG. 5 is a rear elevational view thereof;
FIG. 6 is a right side elevational view thereof; and,
FIG. 7 is a left side elevational view thereof.
The broken lines present in FIG. 1 represent environmental subject matter that forms no part of the claimed design.
The shading shown in the drawings represents a three-dimensional hook-and-loop texture on the surface of the claimed design and is not intended to indicate an ornamental surface pattern.

1 Claim, 4 Drawing Sheets



(56)

References Cited

U.S. PATENT DOCUMENTS

8,458,864 B1 * 6/2013 Patton A61F 5/3792
24/16 R
9,492,615 B1 * 11/2016 Barnard A61M 5/16804
D783,207 S * 4/2017 Lindsey D29/101.1
2005/0198872 A1 * 9/2005 Correa A43B 3/0031
36/136

OTHER PUBLICATIONS

“Cannon UPFPS4 Pedal Straps.” Found online Jan. 12, 2018 at [www.amazon.com](https://www.amazon.com/Cannon-UPFPS4-Pedal-Straps/dp/B00065UQTE/ref=sr_1_244?ie=UTF8&qid=1515799291&sr=8-244&keywords=%22pedal+strap%22). Page dated Dec. 22, 2011. Retrieved from URL: https://www.amazon.com/Cannon-UPFPS4-Pedal-Straps/dp/B00065UQTE/ref=sr_1_244?ie=UTF8&qid=1515799291&sr=8-244&keywords=%22pedal+strap%22 (Year: 2011).*

“MSR Classic Snowshoe Strap Kit.” Found online Jan. 12, 2018 at [www.amazon.com](https://www.amazon.com/MSR-Classic-Snowshoe-Strap-Black/dp/B008DUOFJG/ref=sr_1_9?ie=UTF8&qid=1515798143&sr=8-9&keywords=%22shoe+strap%22). Page dated Feb. 15, 2016. Retrieved from URL: https://www.amazon.com/MSR-Classic-Snowshoe-Strap-Black/dp/B008DUOFJG/ref=sr_1_9?ie=UTF8&qid=1515798143&sr=8-9&keywords=%22shoe+strap%22 (Year: 2016).*

“Scosche Rhythm + Replacement Strap.” Found online Jan. 11, 2018 at [www.amazon.com](https://www.amazon.com/Scosche-Rhythm-Replacement-Strap-Optical/dp/B00XM1F6SA?th=1). Page dated Jan. 8, 2016. Retrieved from URL: <https://www.amazon.com/Scosche-Rhythm-Replacement-Strap-Optical/dp/B00XM1F6SA?th=1> (Year: 2016).*

* cited by examiner

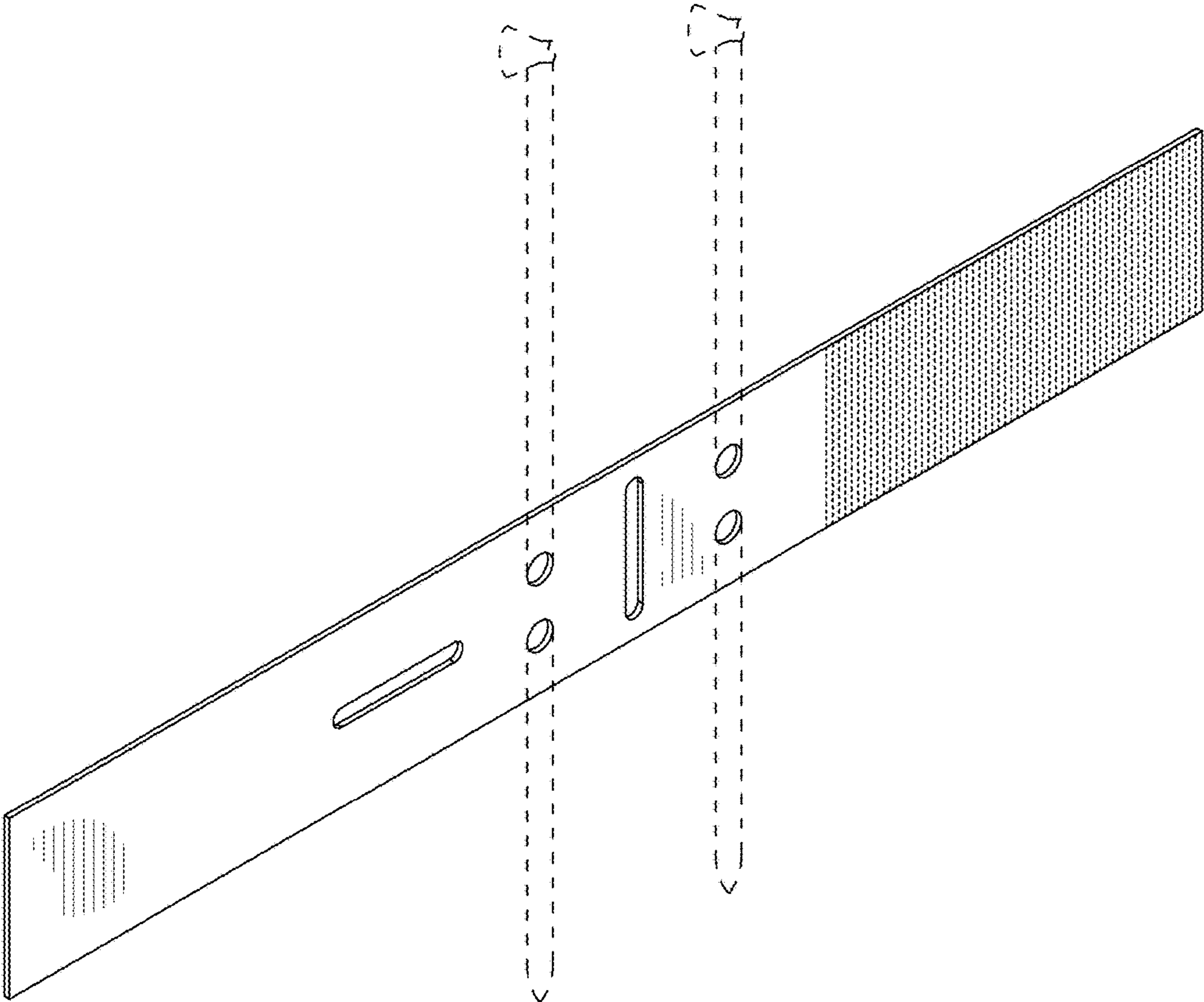


FIG. 1

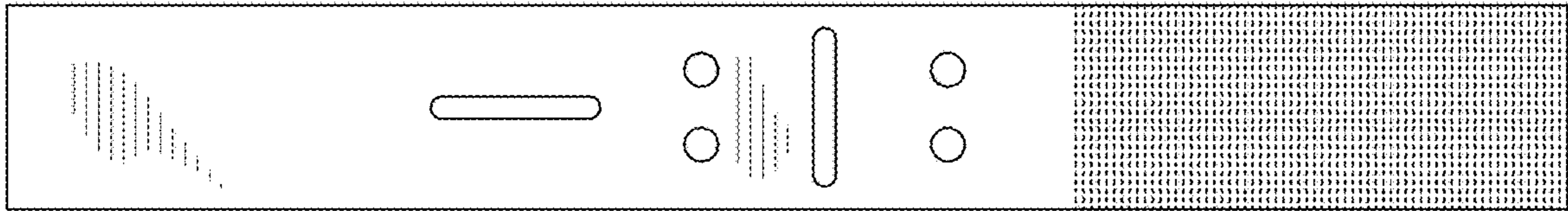


FIG. 2

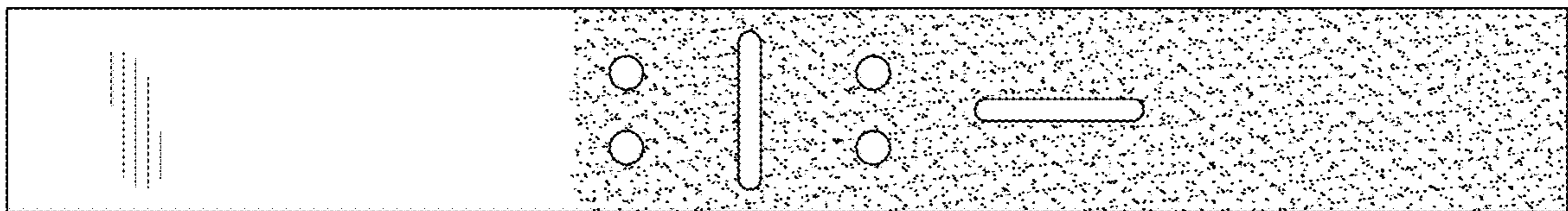


FIG. 3

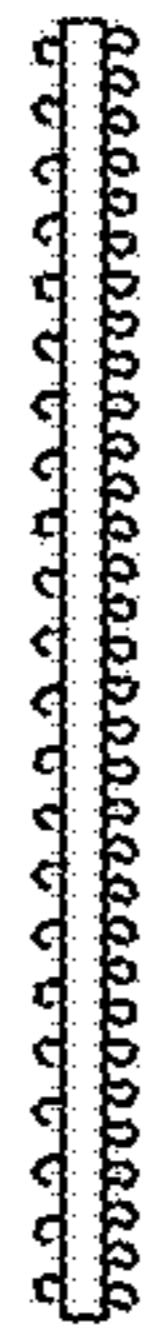


FIG. 4

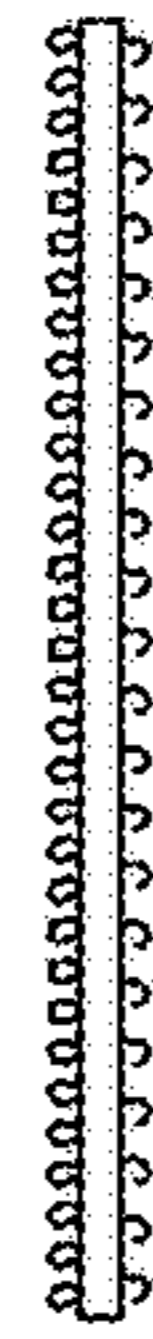


FIG. 5



FIG. 6



FIG. 7