



US00D836889S

(12) **United States Design Patent**
Azizova

(10) **Patent No.:** **US D836,889 S**
(45) **Date of Patent:** **** Jan. 1, 2019**

(54) **GARMENT**

- (71) Applicant: **NIKE, Inc.**, Beaverton, OR (US)
- (72) Inventor: **Valentina Azizova**, Portland, OR (US)
- (73) Assignee: **NIKE, Inc.**, Beaverton, OR (US)
- (**) Term: **15 Years**

(21) Appl. No.: **29/623,456**

(22) Filed: **Oct. 25, 2017**

(51) **LOC (11) Cl.** **02-02**

(52) **U.S. Cl.**

USPC **D2/840**

(58) **Field of Classification Search**

USPC D2/700, 706, 707, 708, 728, 731, 840,
D2/841

CPC A41C 3/00; A41C 3/0007; A41C 3/0014;
A41C 3/0021; A41C 3/0057; A41C 3/08;
A41D 1/04; A41D 1/18; A41D 13/0015;
A41D 2400/38

See application file for complete search history.

(56) **References Cited**

U.S. PATENT DOCUMENTS

D671,296 S *	11/2012	Iamartino	D2/708
D765,948 S *	9/2016	McManus	D2/708
D783,930 S *	4/2017	Rothert	D2/708
D801,008 S *	10/2017	Harris	D2/840
9,788,579 B2 *	10/2017	Miller	A41C 3/0057
D821,700 S *	7/2018	Flower	D2/706

OTHER PUBLICATIONS

Berry Two Tone Double Strap Tank Top, Aug. 30, 2017, www.limelush.com, 5 pages. Available at: <https://www.limelush.com/berry-two-tone-double-strap-tank-top/>.

* cited by examiner

Primary Examiner — Karen S Acker

Assistant Examiner — Jasmine Mlinarcik

(74) *Attorney, Agent, or Firm* — Shook, Hardy and Bacon L.L.P.

(57) **CLAIM**

The ornamental design for a garment, as shown and described.

DESCRIPTION

FIG. 1 is a front perspective view of a garment showing my design;

FIG. 2 is a front view thereof;

FIG. 3 is a rear view thereof;

FIG. 4 is a first side view thereof;

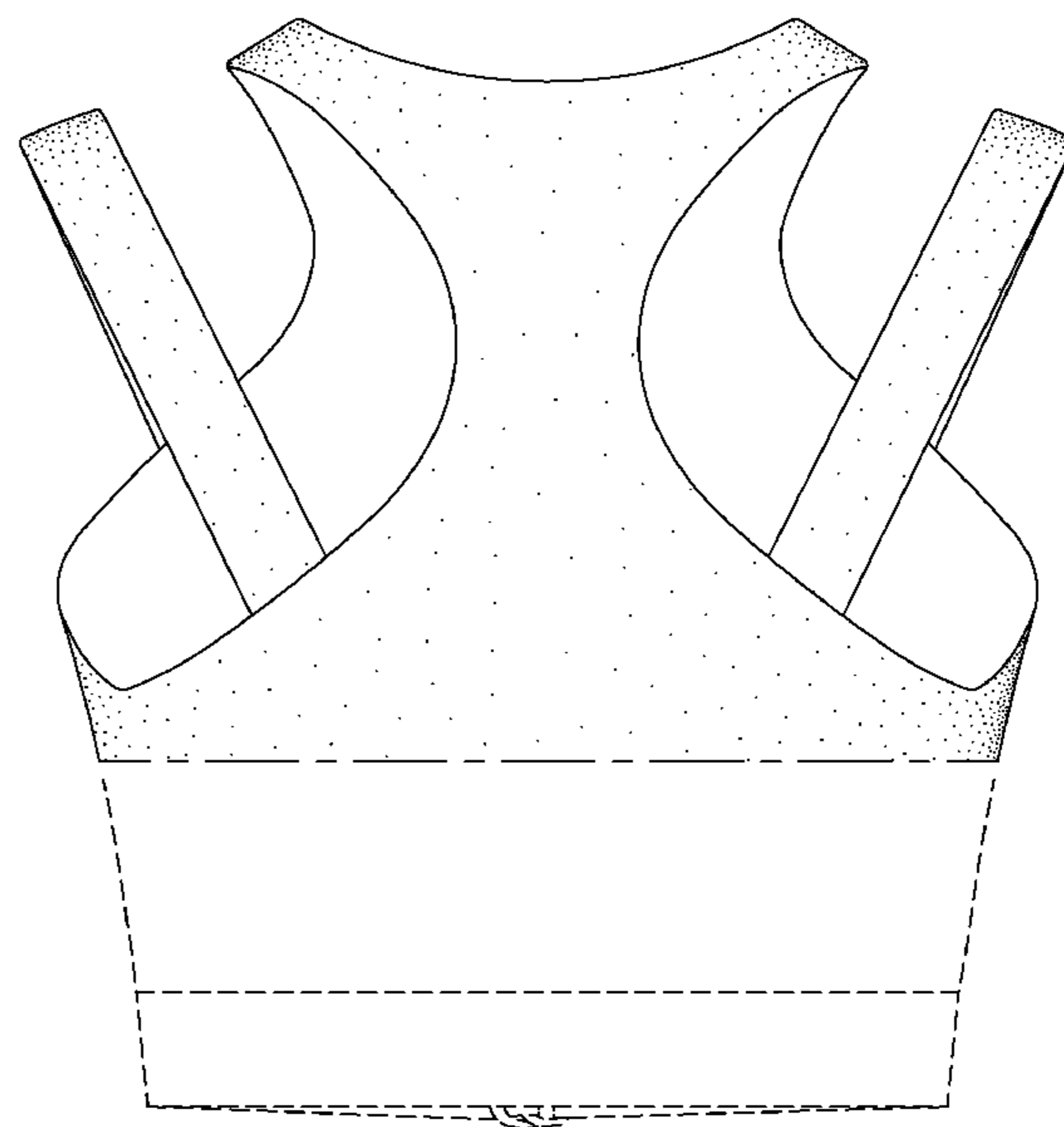
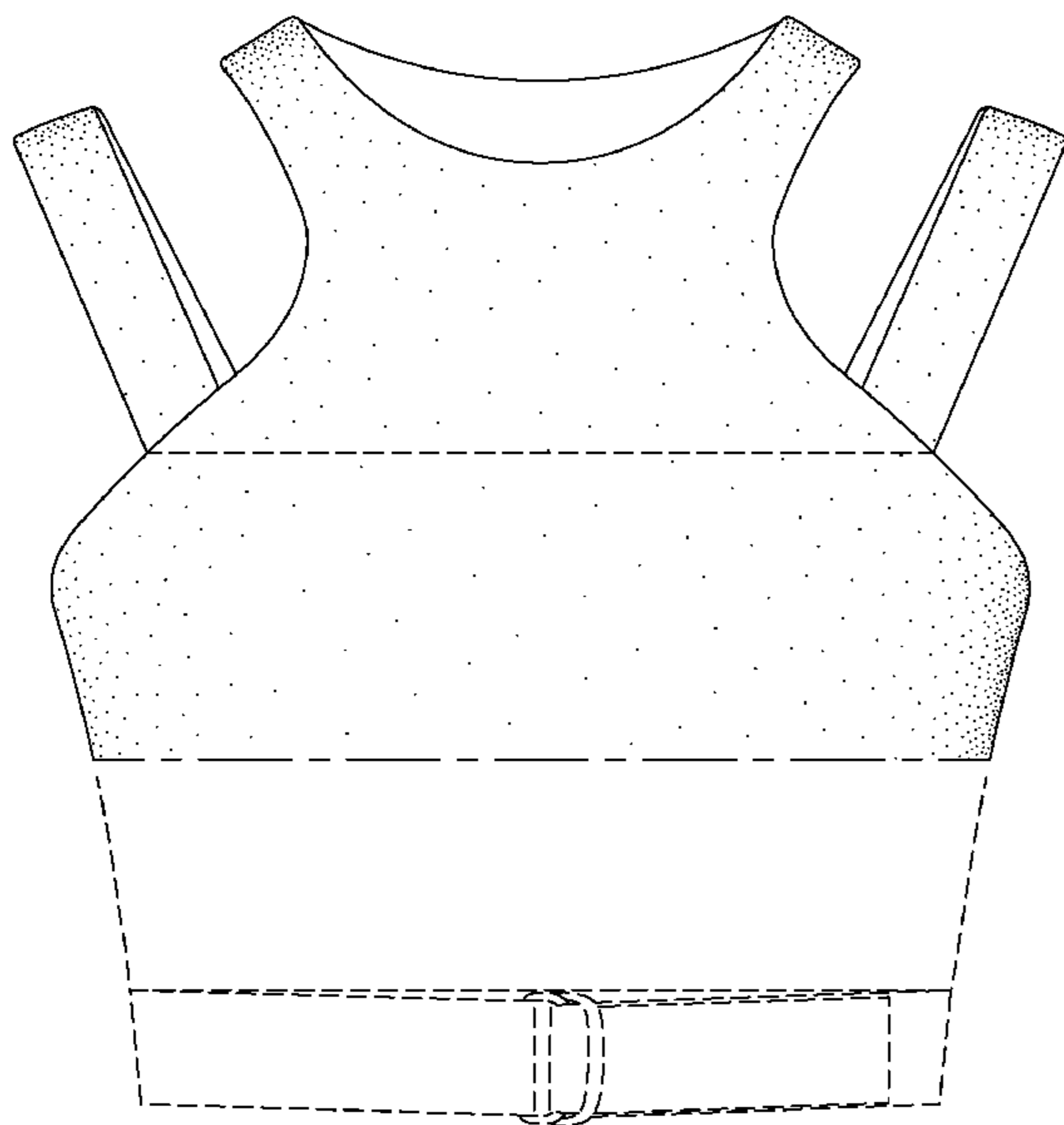
FIG. 5 is a second side view thereof;

FIG. 6 is a top view thereof; and,

FIG. 7 is a bottom view thereof.

The long-and-short broken lines define the bounds of the claim and form no part thereof. The even-length broken lines depict an environmental feature on the garment and the environmental structure of the lower part of the garment that form no part of the claimed design. The unshaded interior of the garment is a portion of the garment that forms no part of the claimed design.

1 Claim, 6 Drawing Sheets



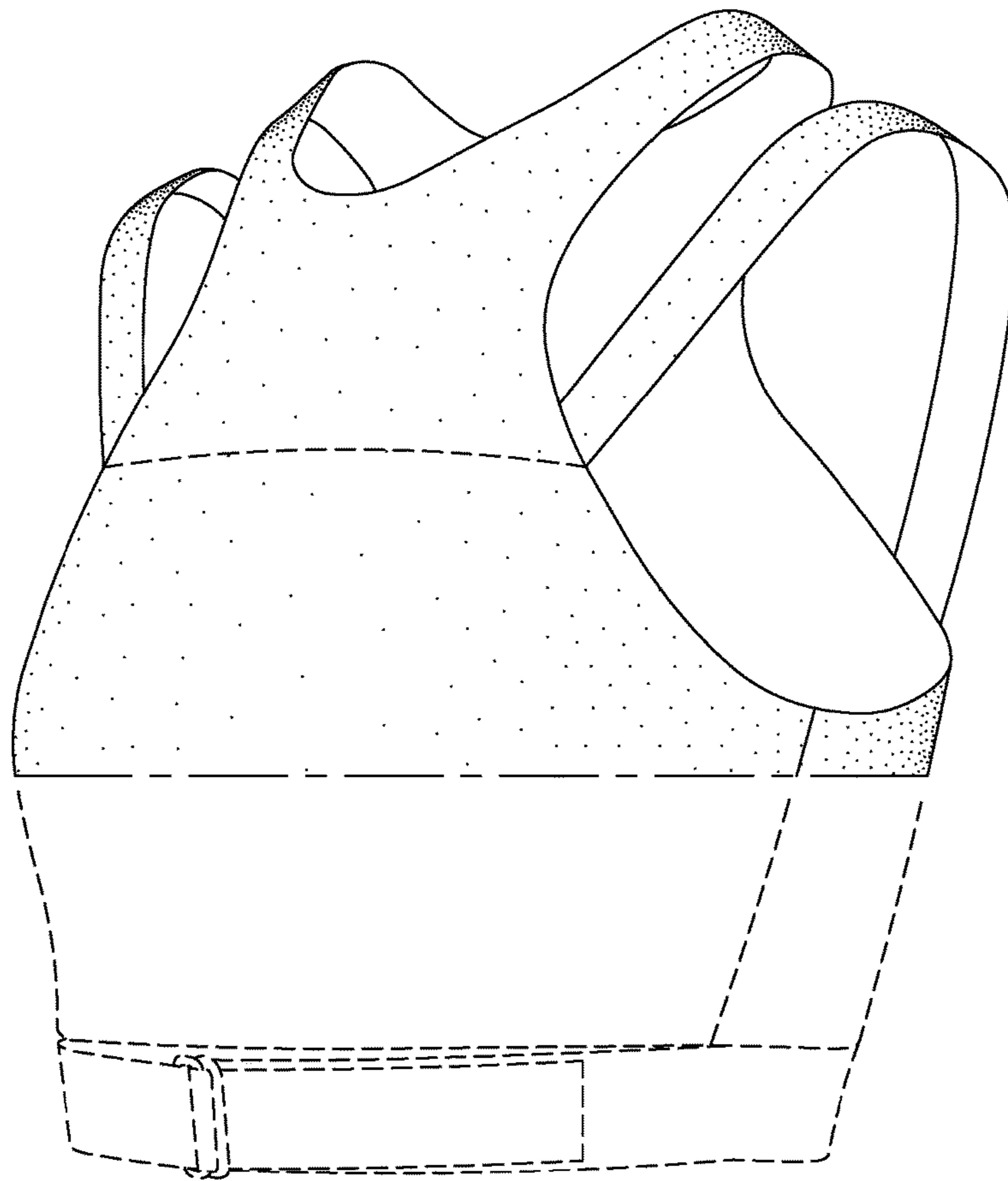


FIG. 1.

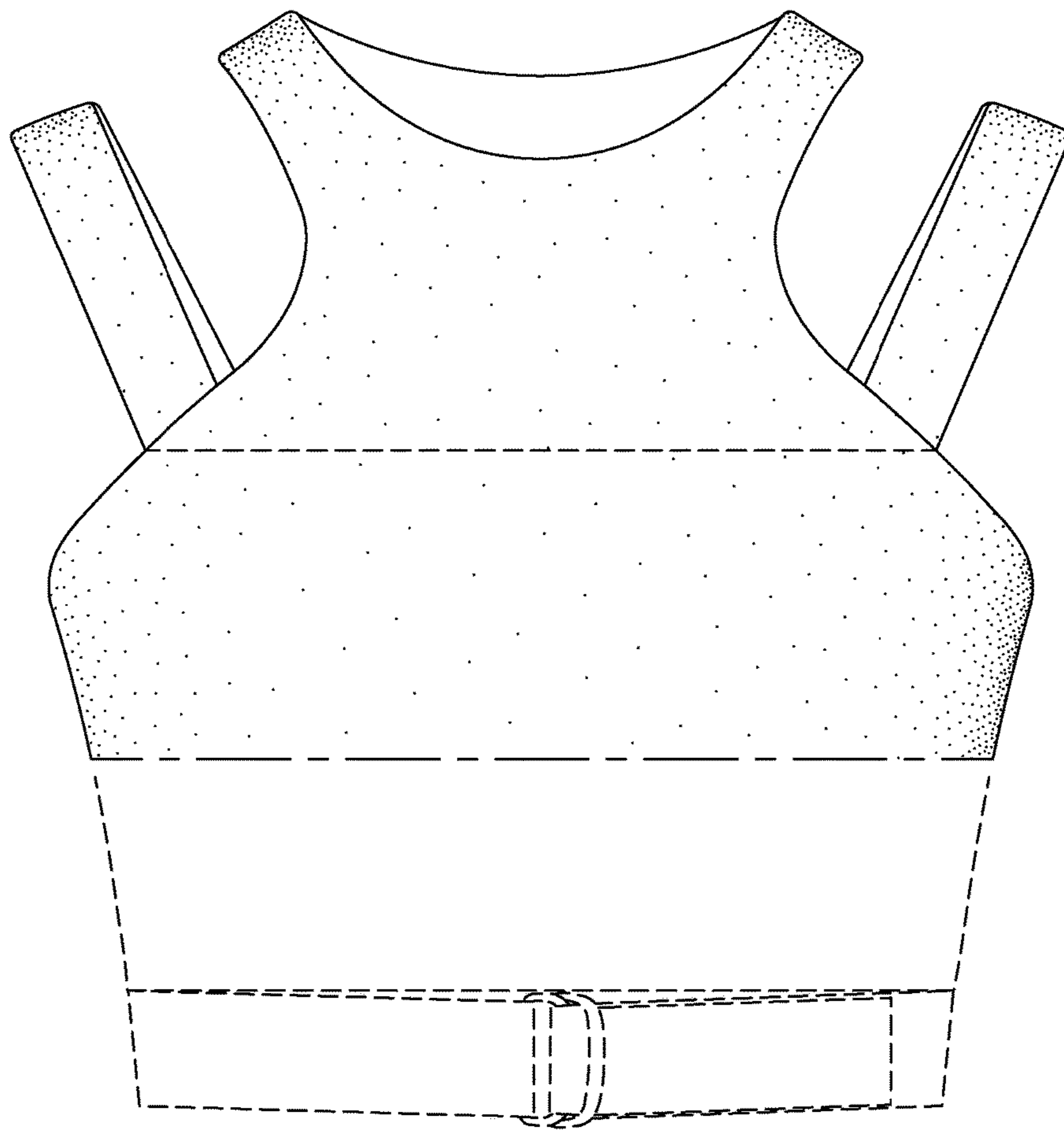


FIG. 2.

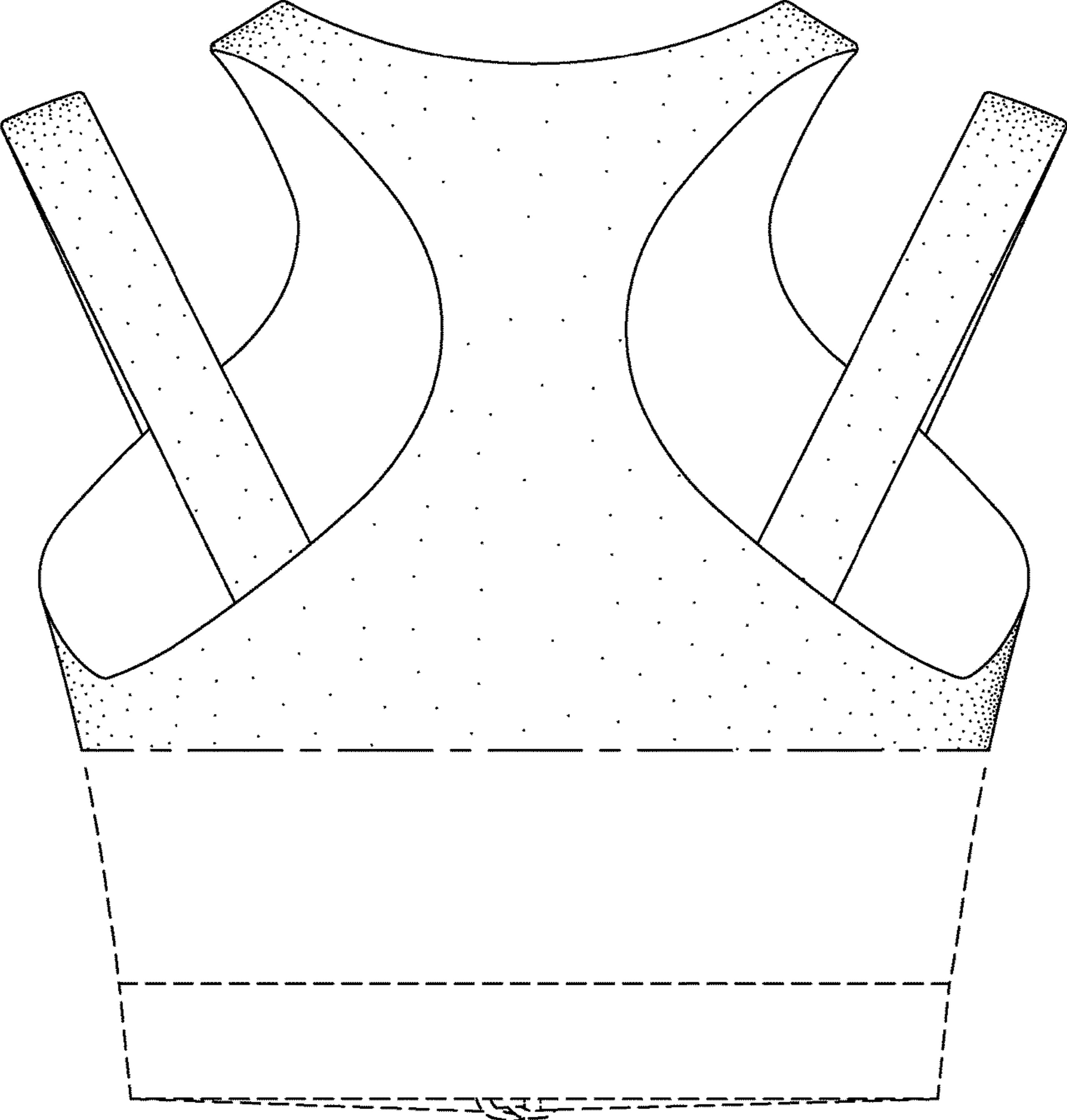


FIG. 3.

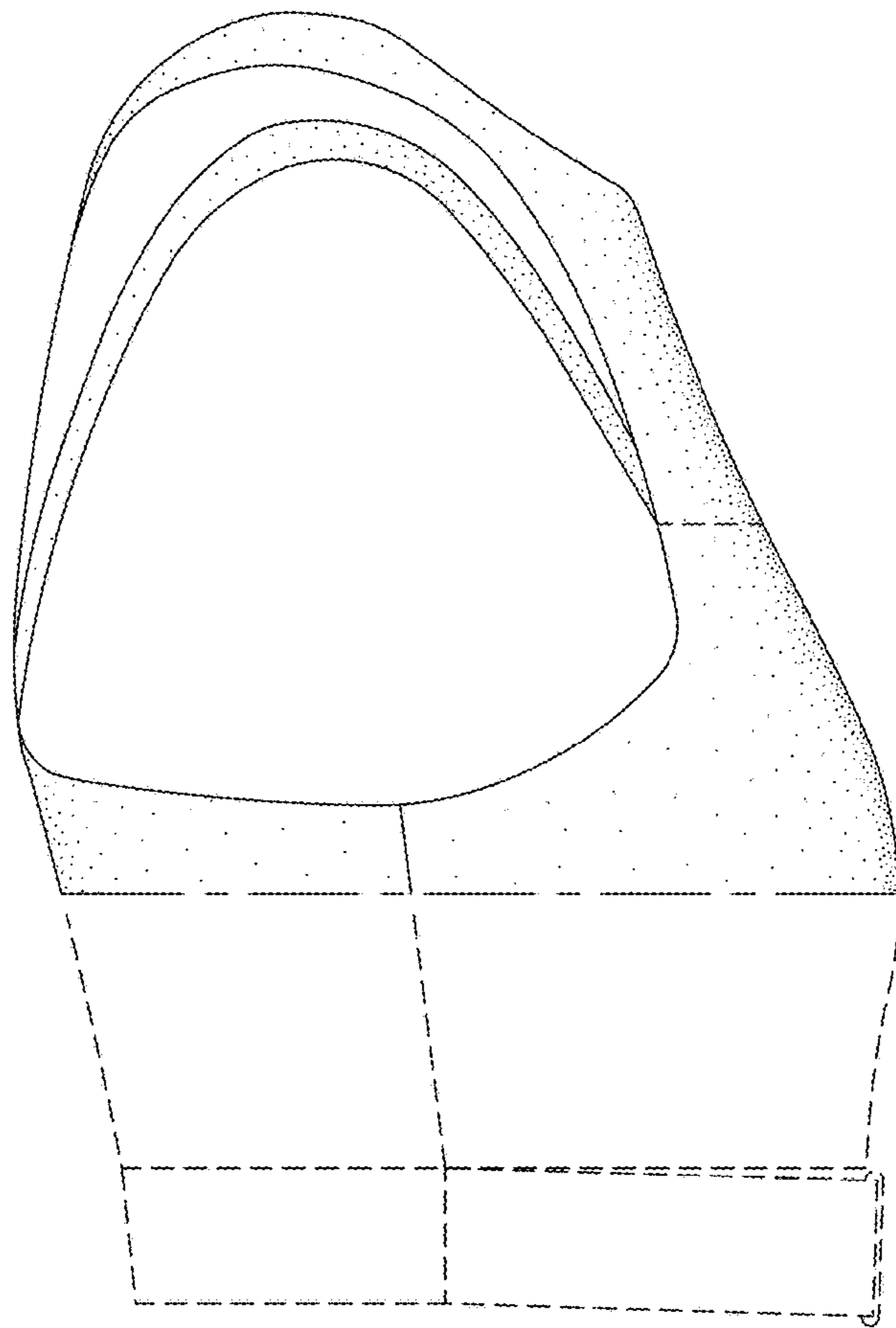


FIG. 4.

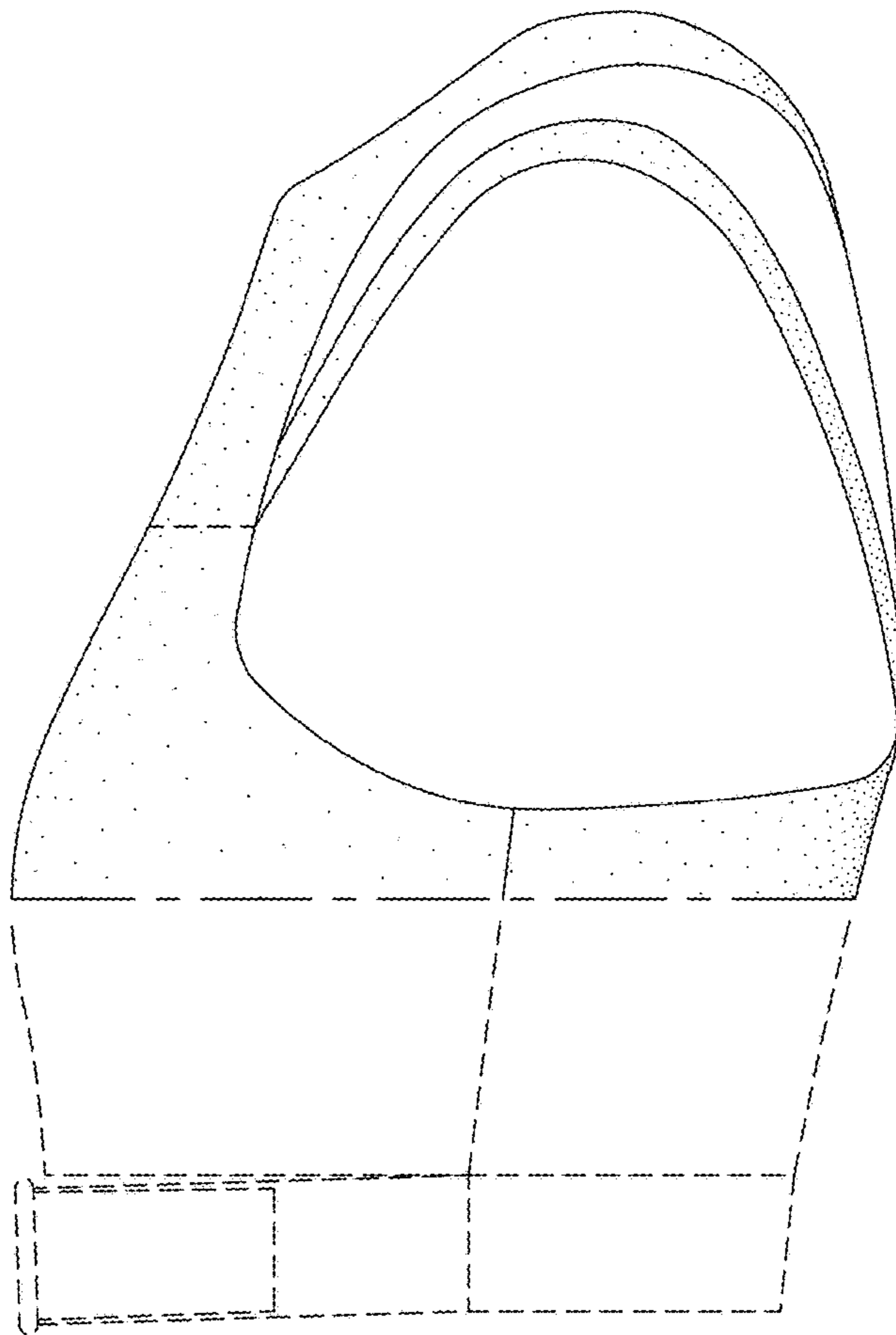


FIG. 5.

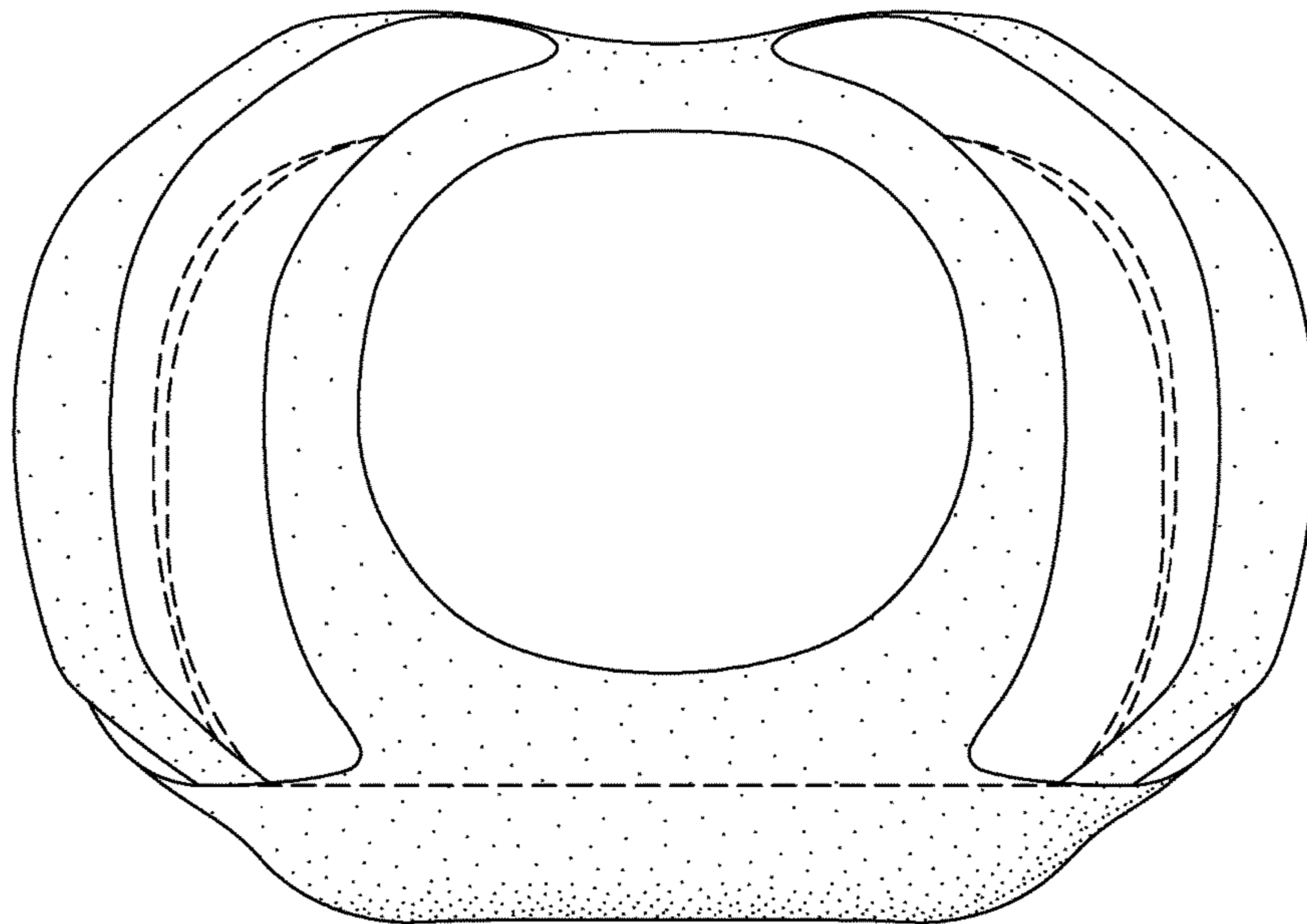


FIG. 6.

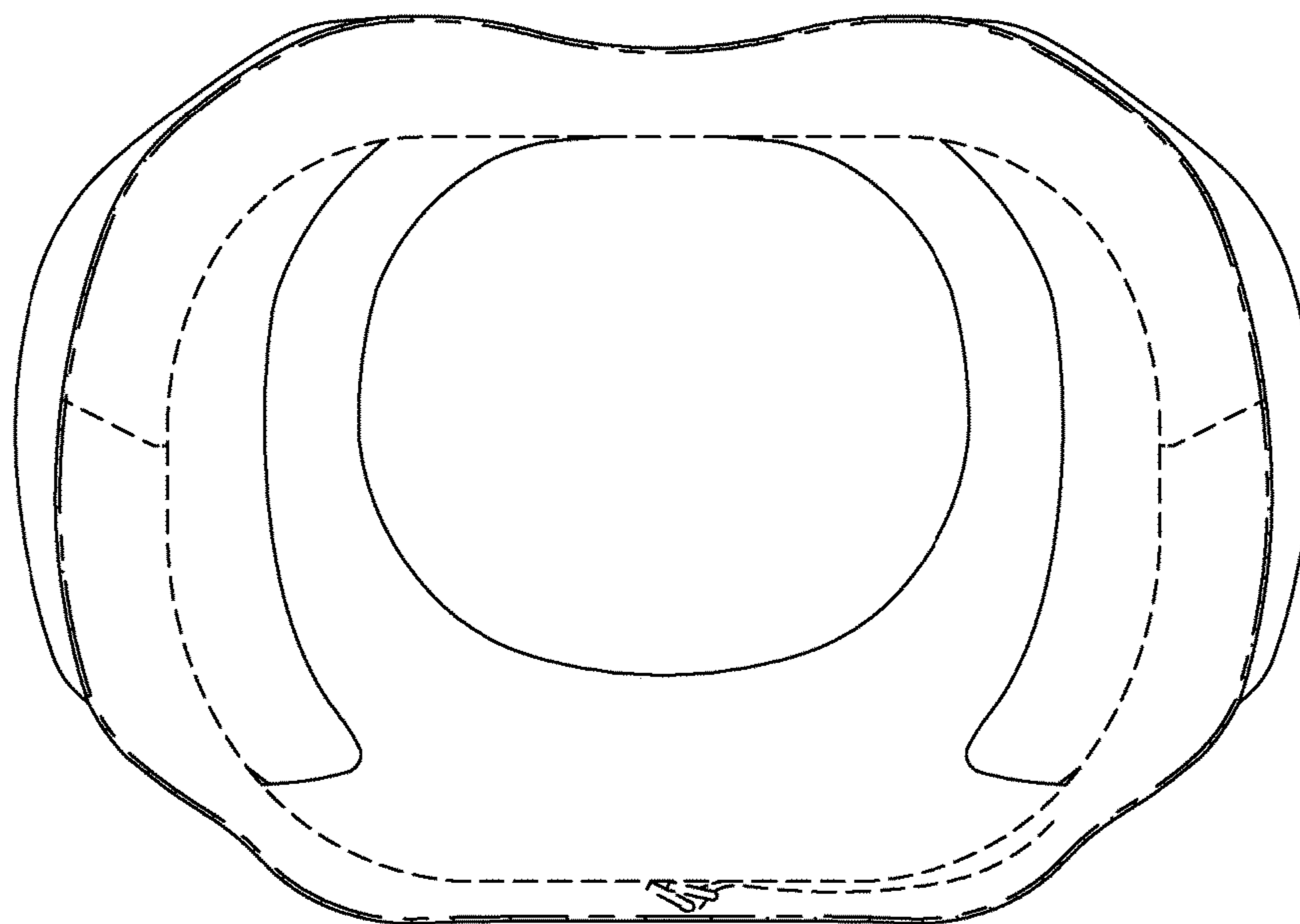


FIG. 7.