



US00D836883S

(12) **United States Design Patent** (10) **Patent No.:** **US D836,883 S**  
**Vorel et al.** (45) **Date of Patent:** **\*\* Jan. 1, 2019**

(54) **GARMENT**

(71) Applicant: **NIKE, Inc.**, Beaverton, OR (US)

(72) Inventors: **Michael Vorel**, Beaverton, OR (US);  
**Kenny McIver**, Beaverton, OR (US)

(73) Assignee: **NIKE, Inc.**, Beaverton, OR (US)

(\*\*) Term: **15 Years**

(21) Appl. No.: **29/597,253**

(22) Filed: **Mar. 15, 2017**

(51) **LOC (11) Cl.** ..... **02-02**

(52) **U.S. Cl.**  
USPC ..... **D2/731**

(58) **Field of Classification Search**  
USPC ..... D2/717, 731, 840, 828  
CPC ..... A41D 13/0015  
See application file for complete search history.

(56) **References Cited**

**U.S. PATENT DOCUMENTS**

D7,732 S *	9/1874	Martin	.....	D5/7
D118,425 S *	1/1940	Kops	.....	D2/702
5,210,877 A *	5/1993	Newman	.....	A41D 1/067 2/115
D447,876 S *	9/2001	Seth-Cimini	.....	D5/53
7,636,950 B2 *	12/2009	Melhart	.....	A41D 13/0015 2/69
D654,660 S *	2/2012	Jones	.....	D2/717
D690,906 S *	10/2013	Lambertz	.....	D2/717
D696,488 S *	12/2013	Kenney	.....	D2/840
D744,203 S *	12/2015	Murphy	.....	D2/840
D750,348 S *	3/2016	Hammer	.....	D2/742
D753,894 S *	4/2016	Yoo	.....	D2/717
D759,346 S *	6/2016	Lomax	.....	D2/731
D783,949 S *	4/2017	Lomax	.....	D2/858
D785,906 S *	5/2017	Darmour	.....	D2/731
D799,793 S *	10/2017	Darmour	.....	D2/828
D804,143 S *	12/2017	Morag	.....	D2/717
D824,141 S *	7/2018	Binger	.....	D2/717

D824,142 S \* 7/2018 Sickert ..... D2/717

\* cited by examiner

*Primary Examiner* — Kevin K Rudzinski

(74) *Attorney, Agent, or Firm* — Shook, Hardy and Bacon L.L.P.

(57) **CLAIM**

The ornamental design for a garment, as shown and described.

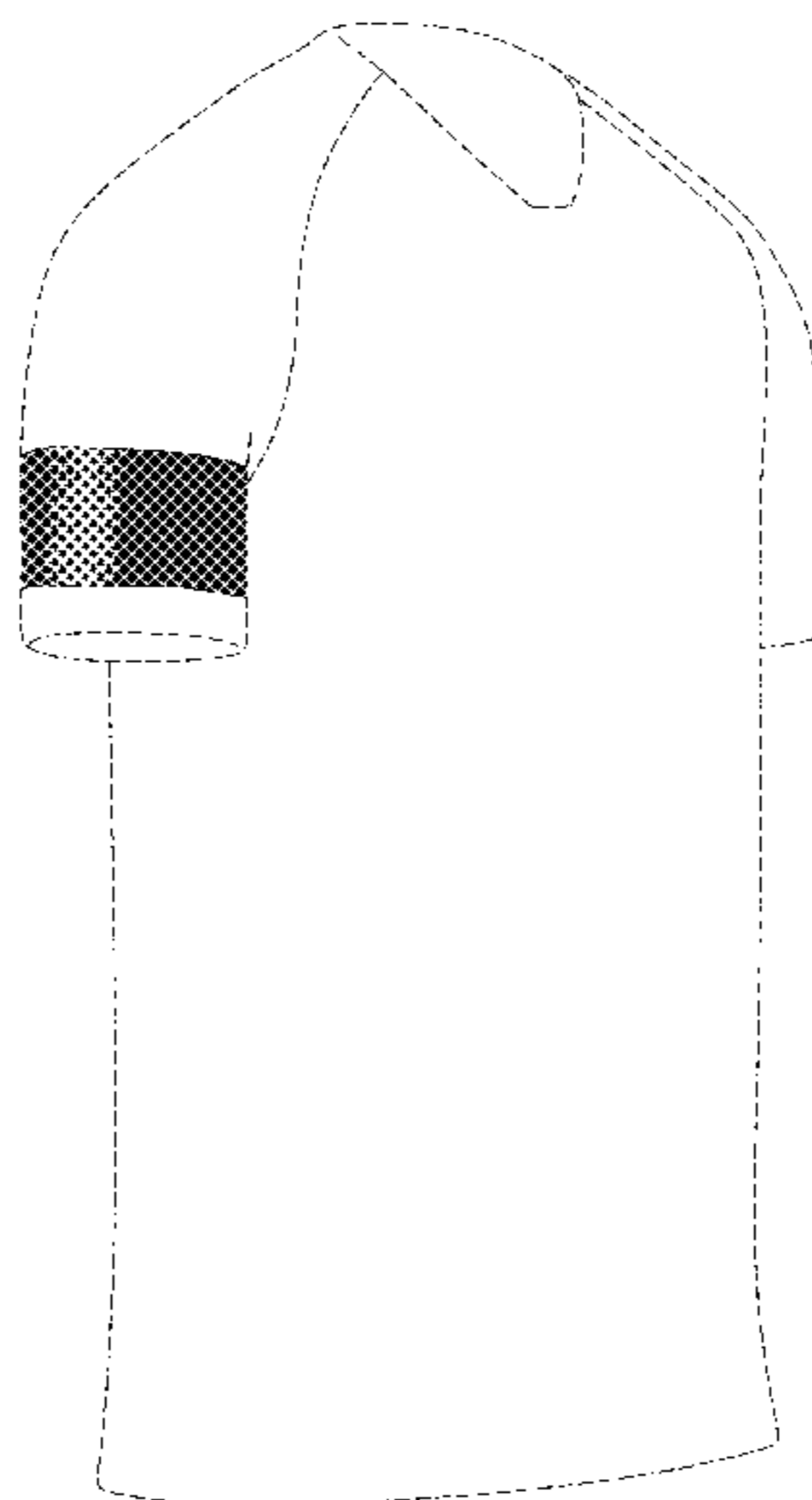
**DESCRIPTION**

FIG. 1 is a front perspective view of a garment showing our new design according to a first embodiment;  
 FIG. 2 is a front view thereof;  
 FIG. 3 is a side view thereof;  
 FIG. 4 is a rear view thereof;  
 FIG. 5 is a front perspective view of a garment showing our new design according to a second embodiment;  
 FIG. 6 is a front view thereof;  
 FIG. 7 is a side view thereof;  
 FIG. 8 is a rear view thereof;  
 FIG. 9 is a front perspective view of a garment showing our new design according to a third embodiment;  
 FIG. 10 is a front view thereof;  
 FIG. 11 is a side view thereof;  
 FIG. 12 is a rear view thereof;  
 FIG. 13 is a front perspective view of a garment showing our new design according to a fourth embodiment;  
 FIG. 14 is a front view thereof;  
 FIG. 15 is a side view thereof; and,  
 FIG. 16 is a rear view thereof.

The long and short broken lines are unclaimed boundaries of the claimed design. It is understood that the claimed design extends to these boundaries but does not include the boundaries.

The even-length broken lines shown in the drawings are directed to environment and form no part of the claimed design.

**1 Claim, 16 Drawing Sheets**



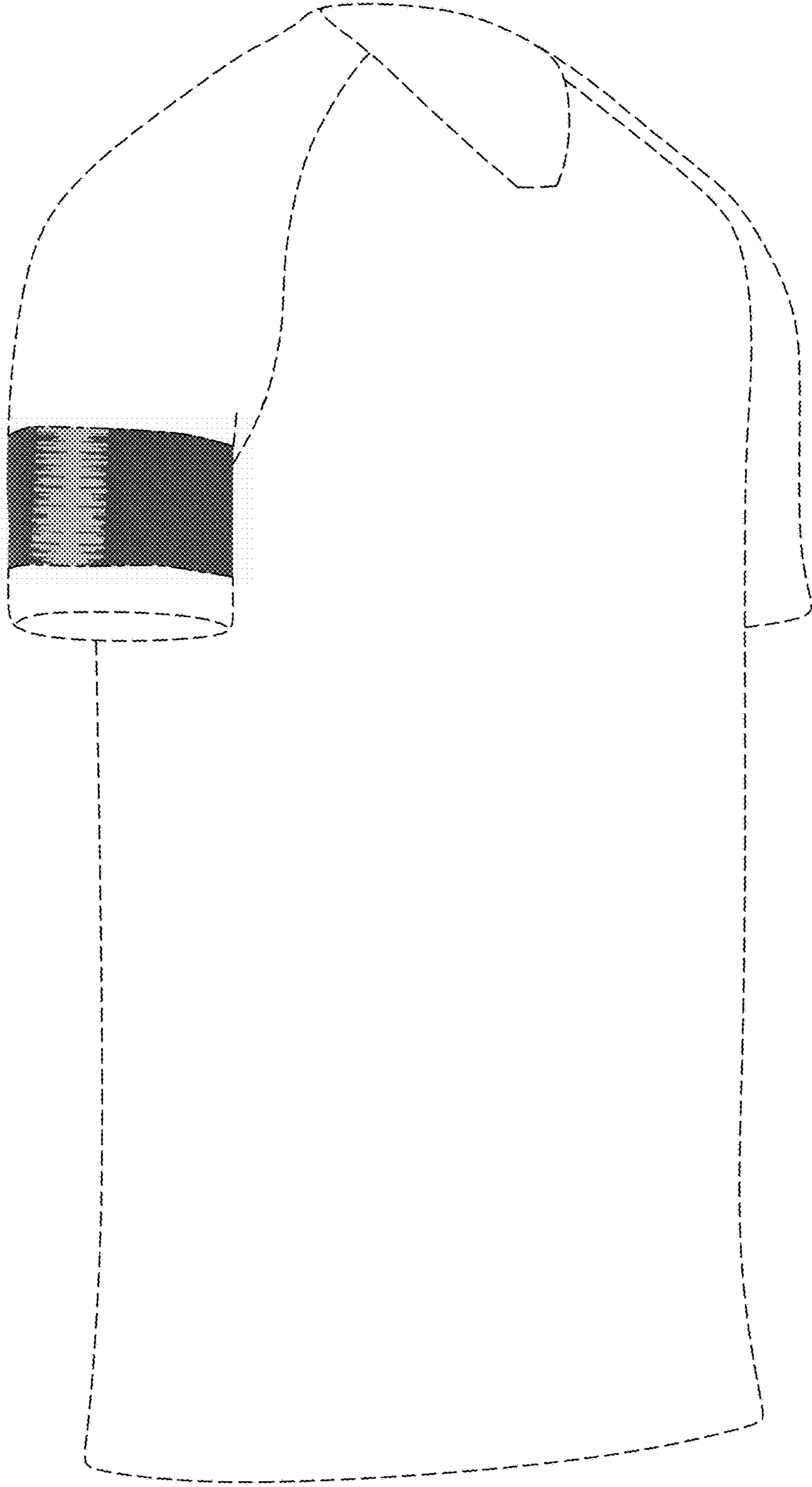


FIG. 1

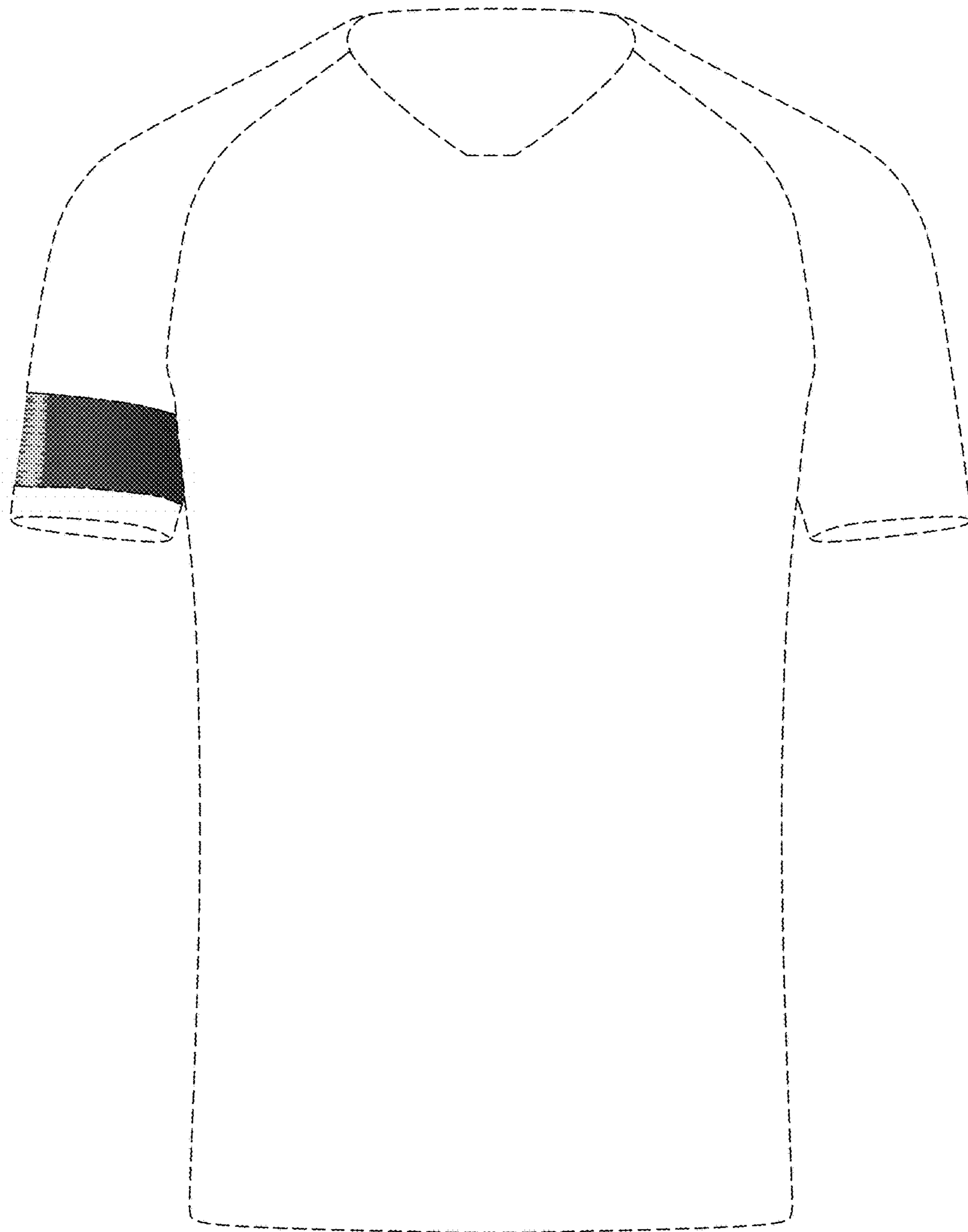


FIG. 2

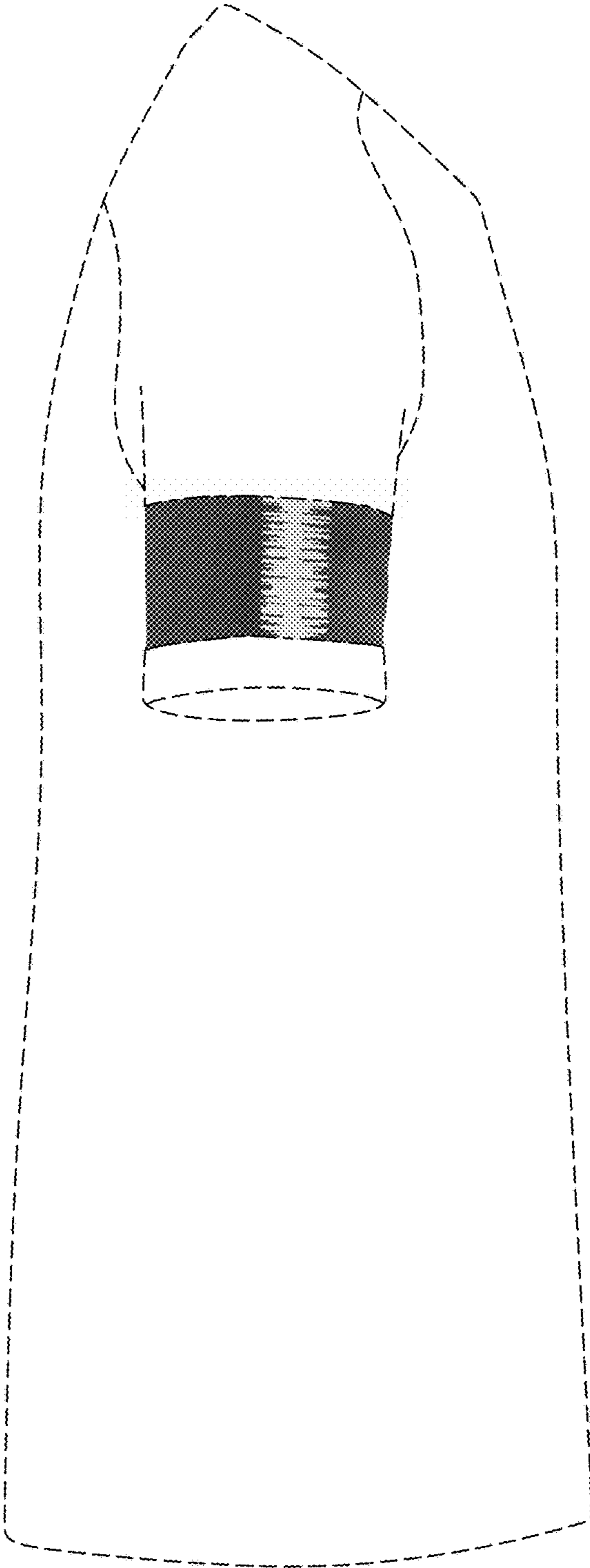


FIG. 3

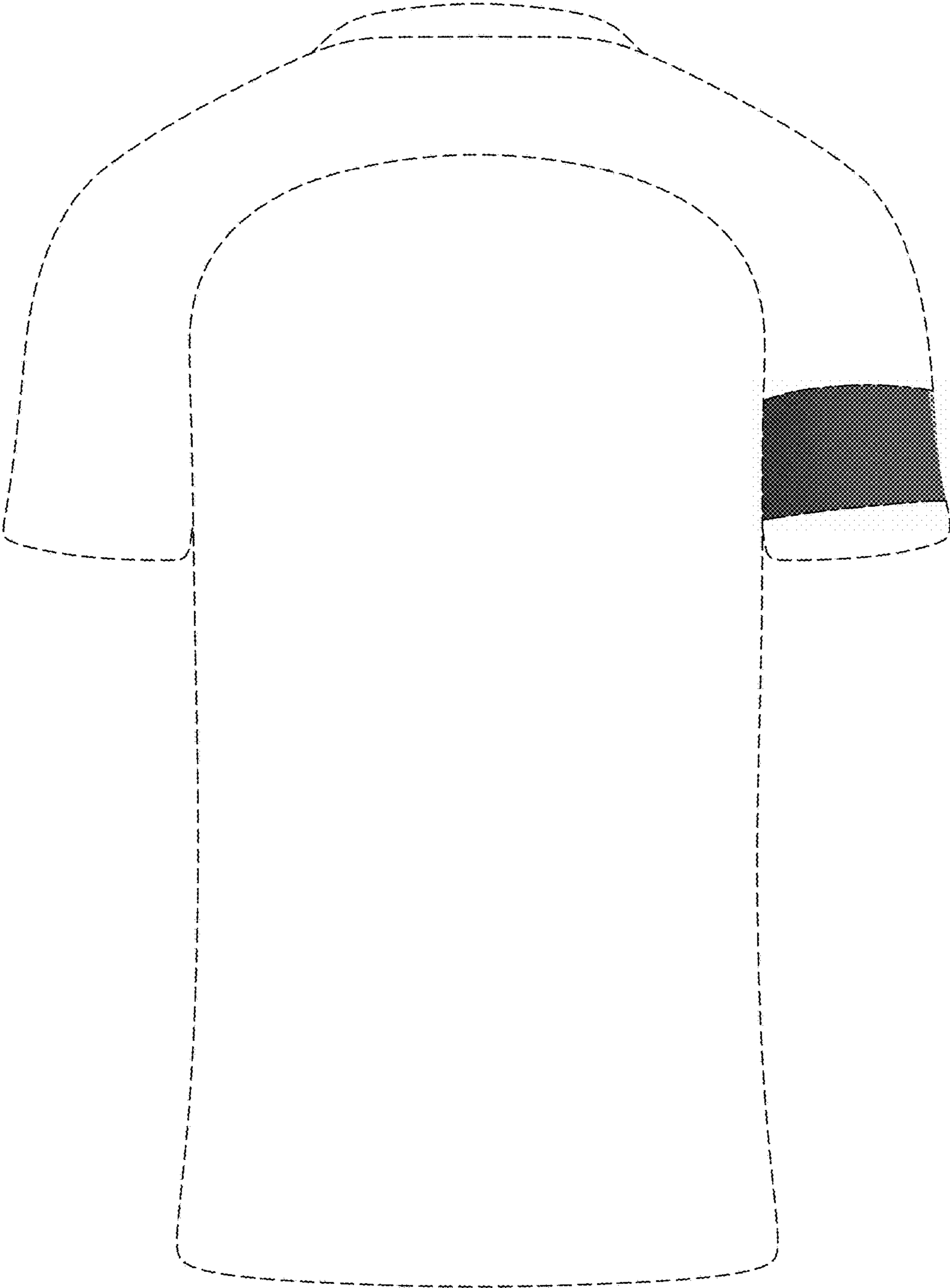


FIG. 4

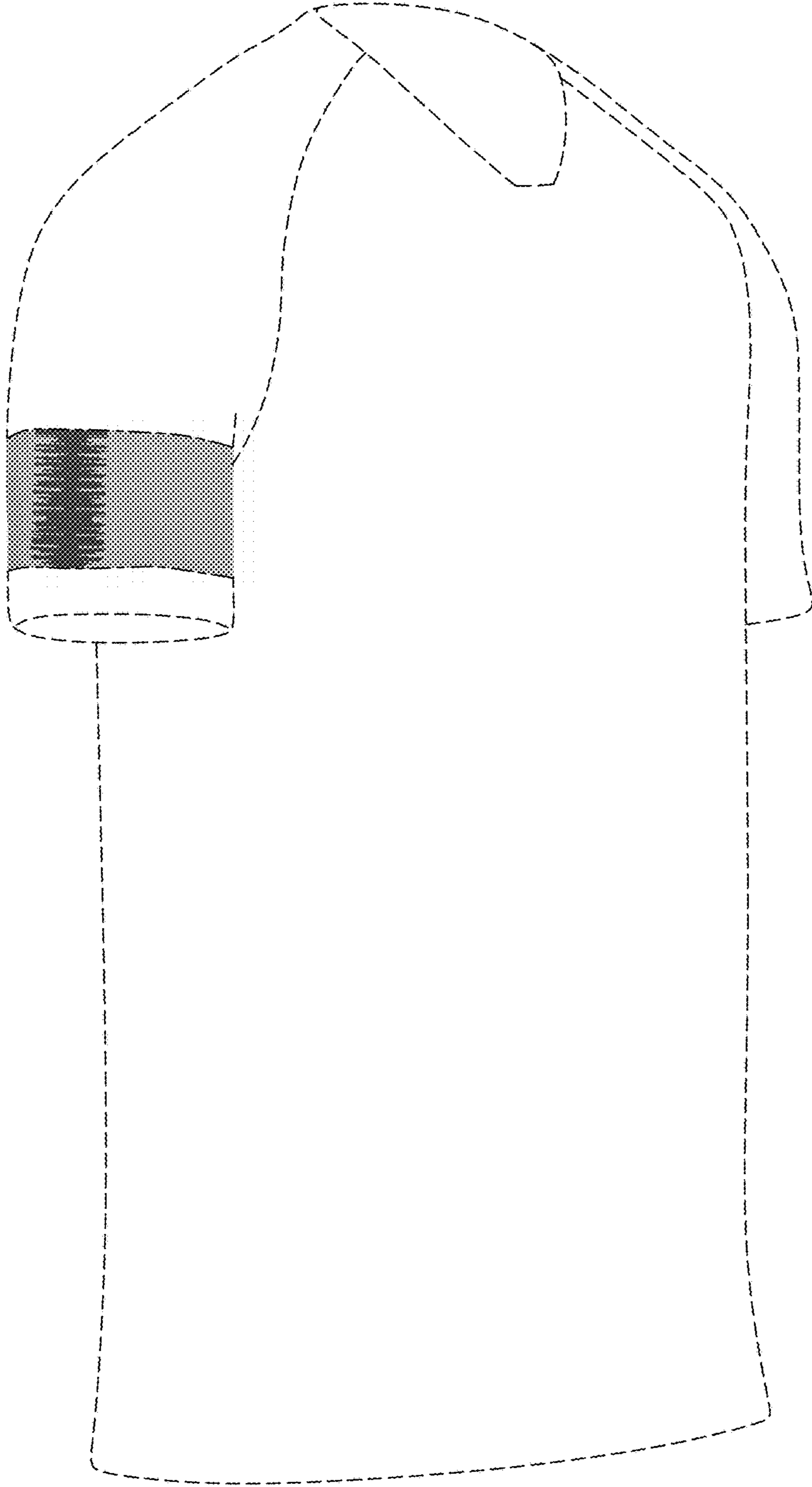


FIG. 5

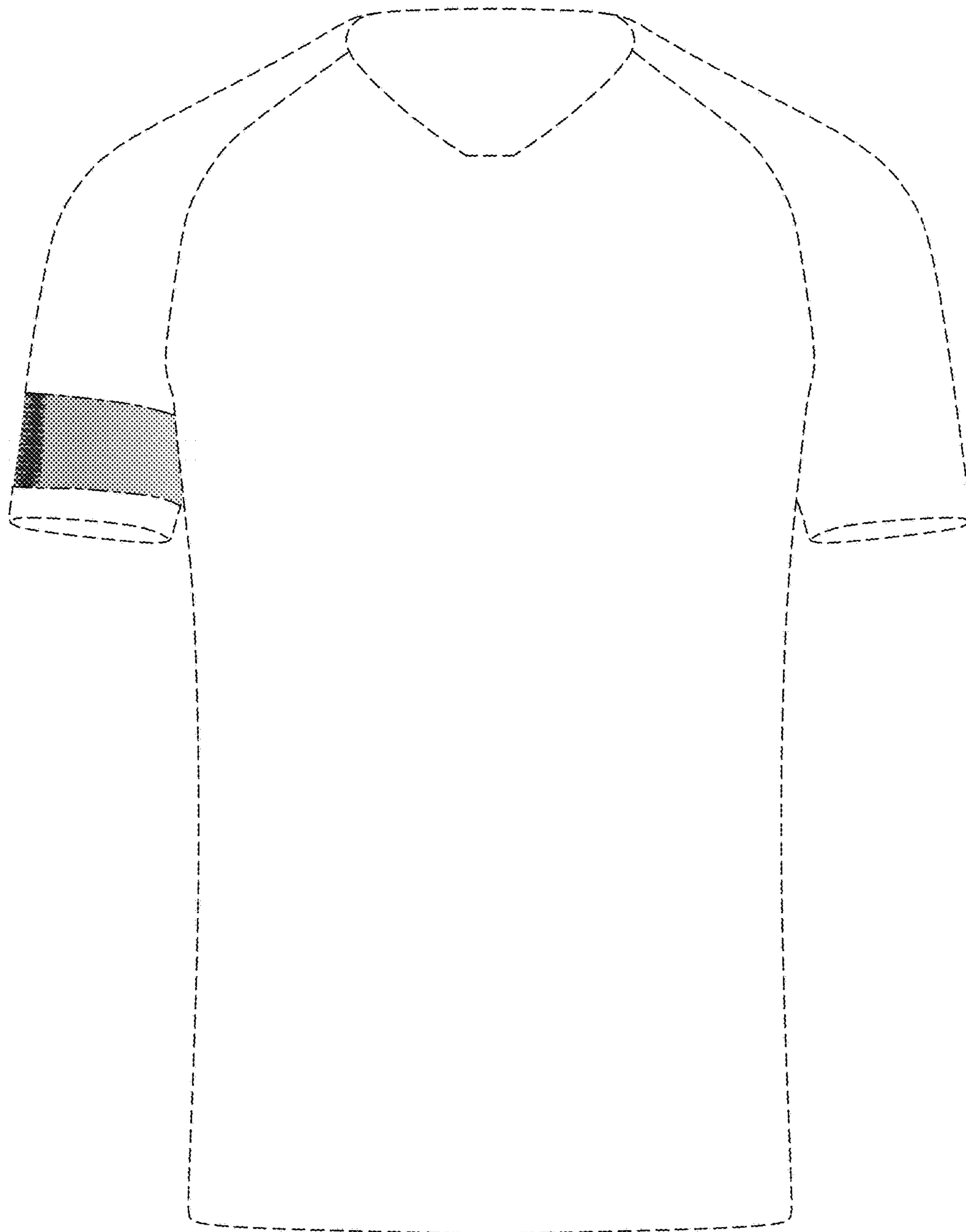


FIG. 6

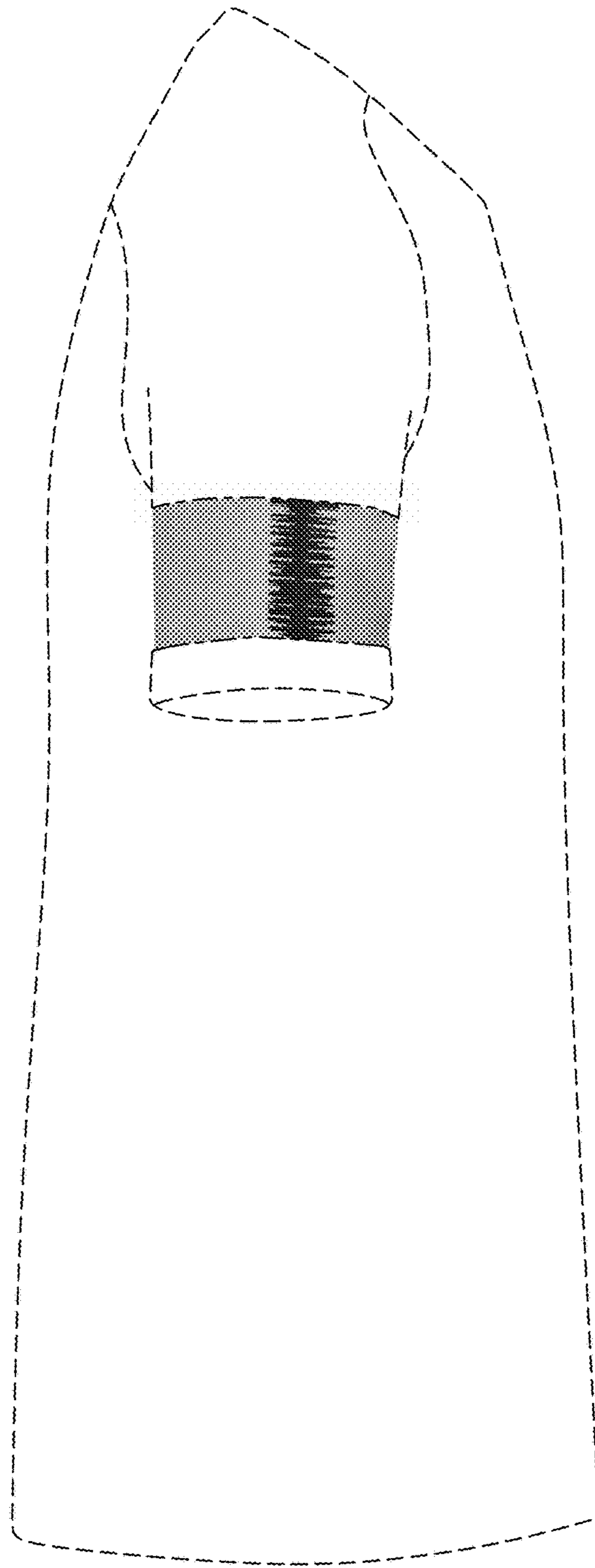


FIG. 7



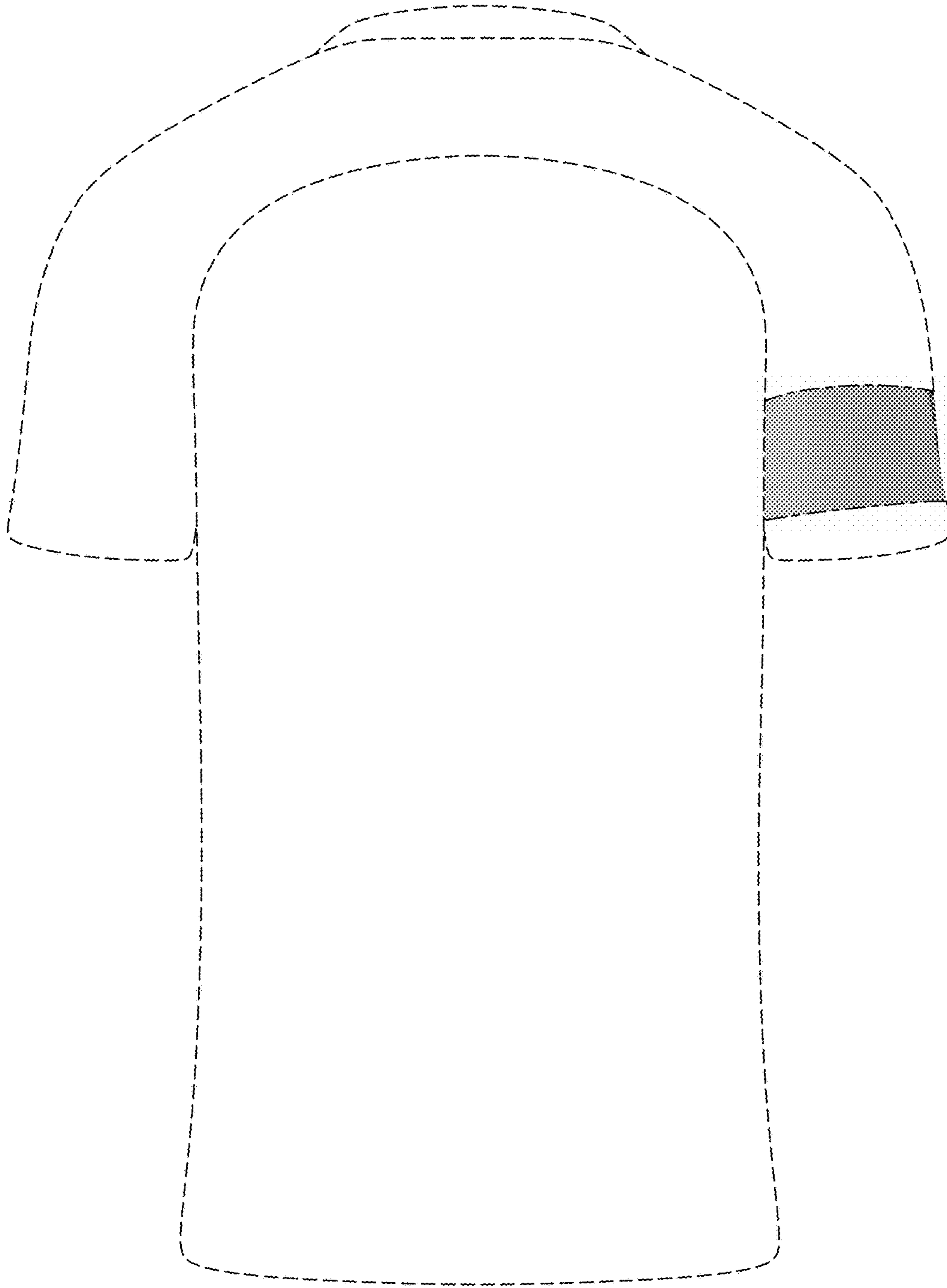


FIG. 8

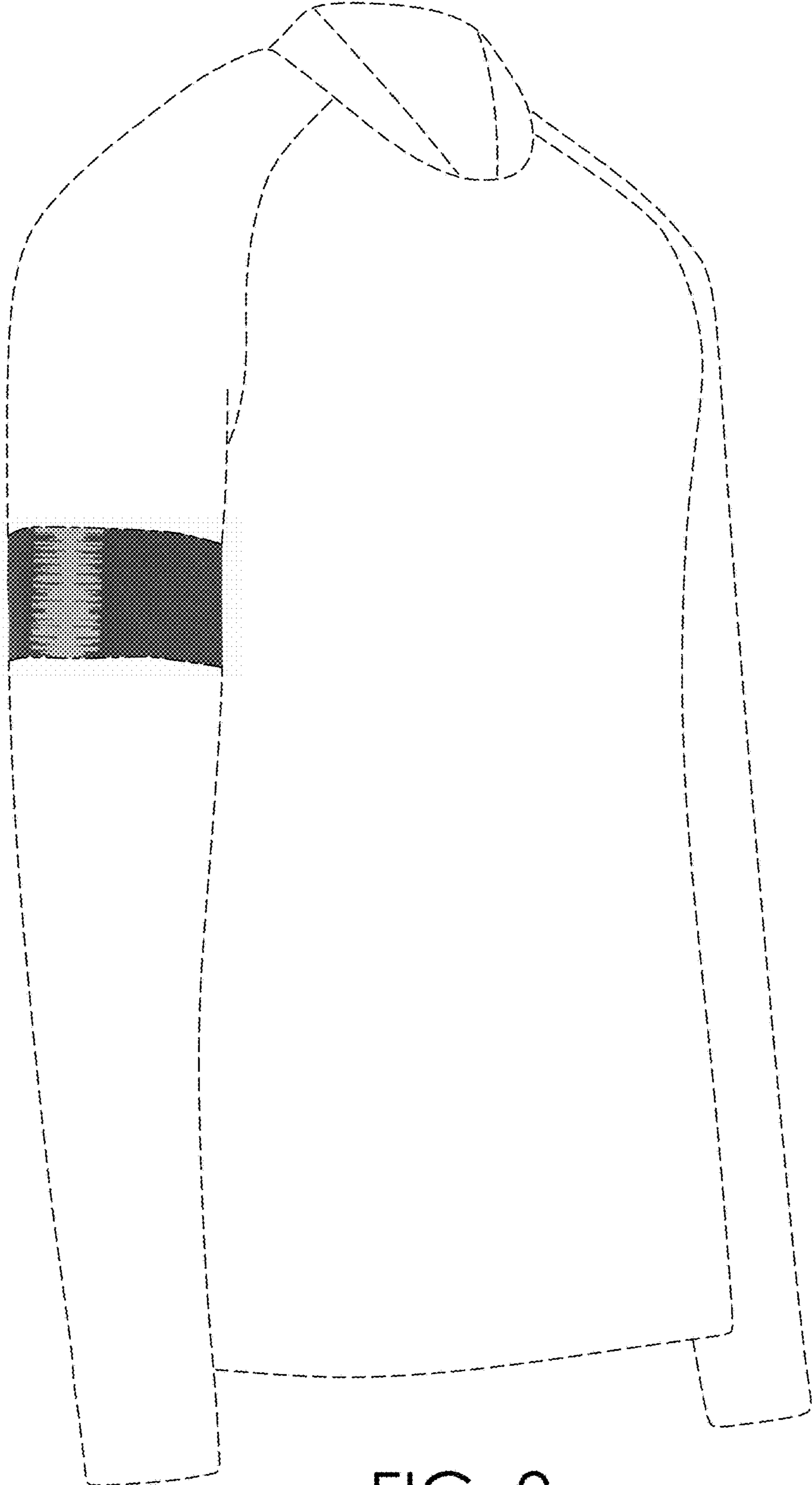


FIG. 9

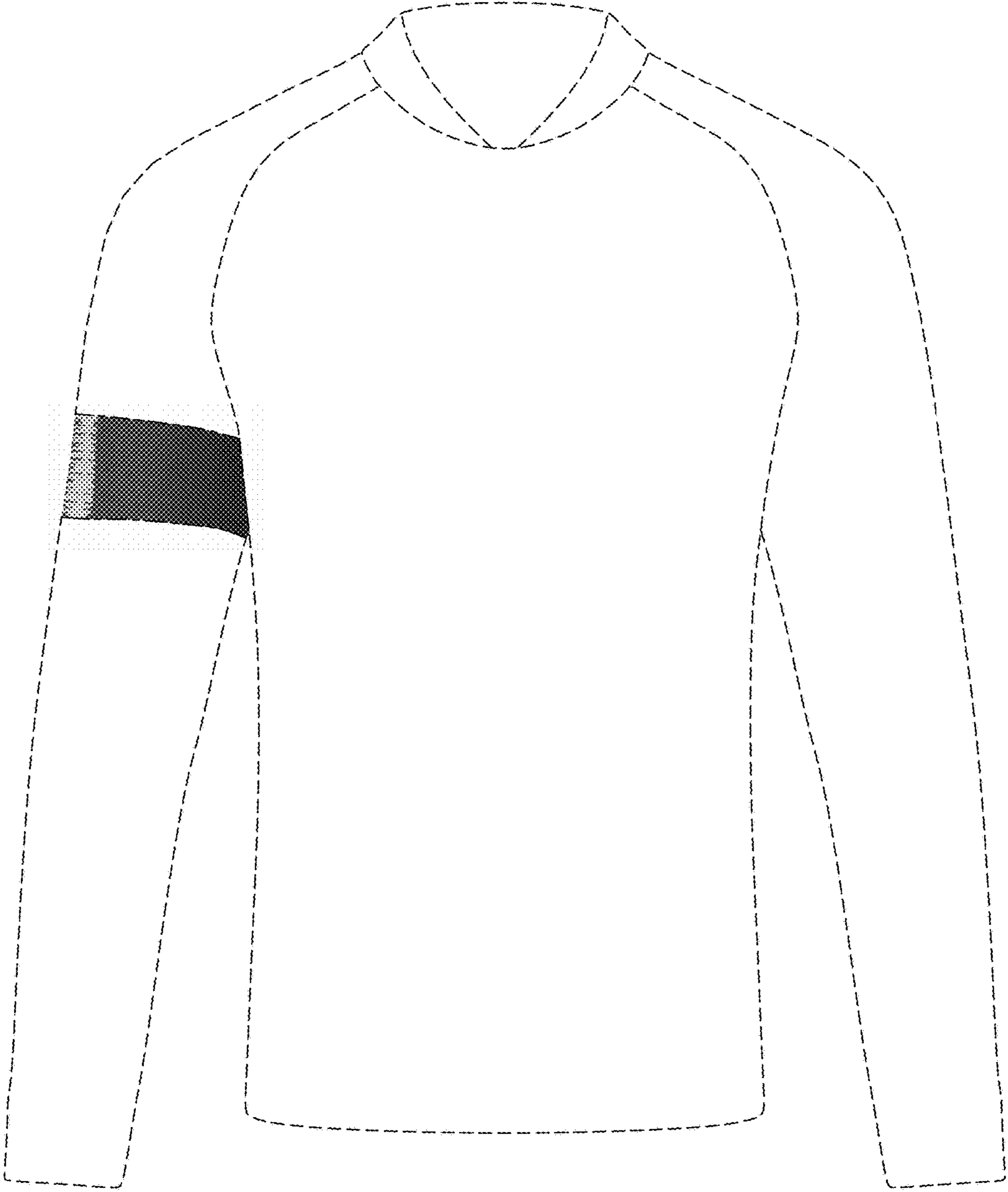


FIG. 10

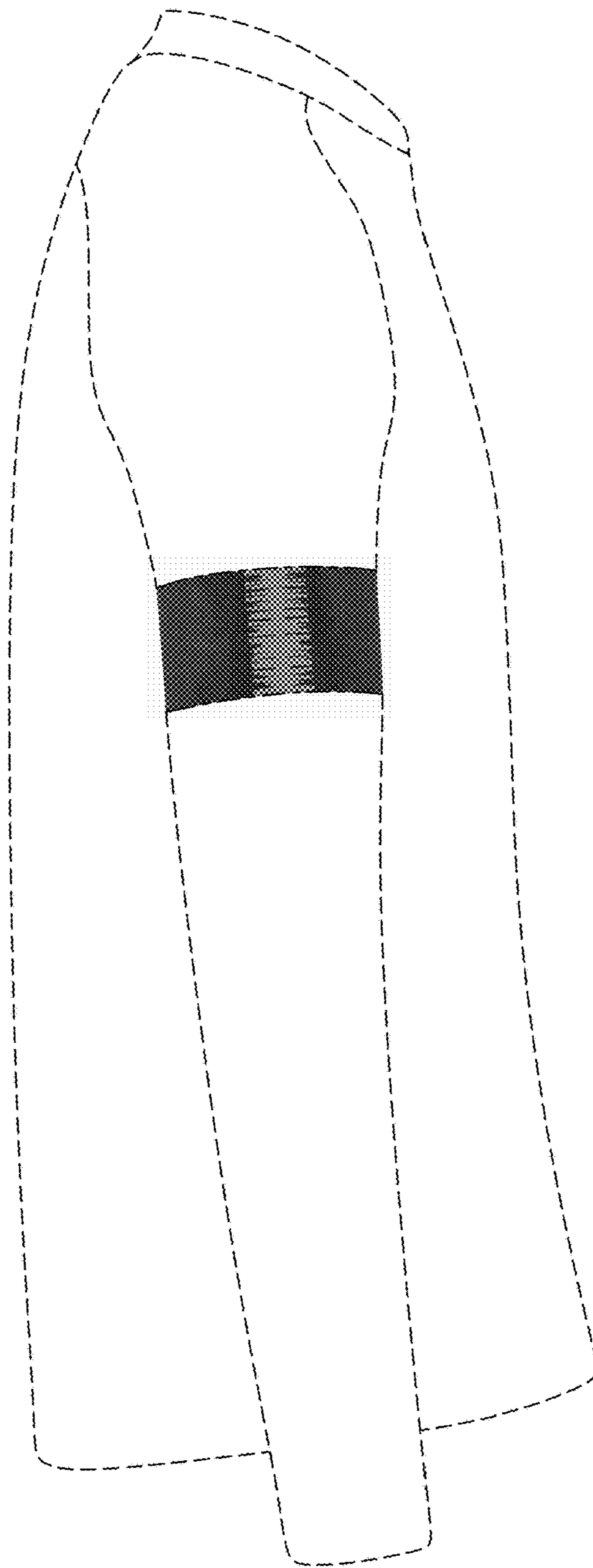


FIG. 11

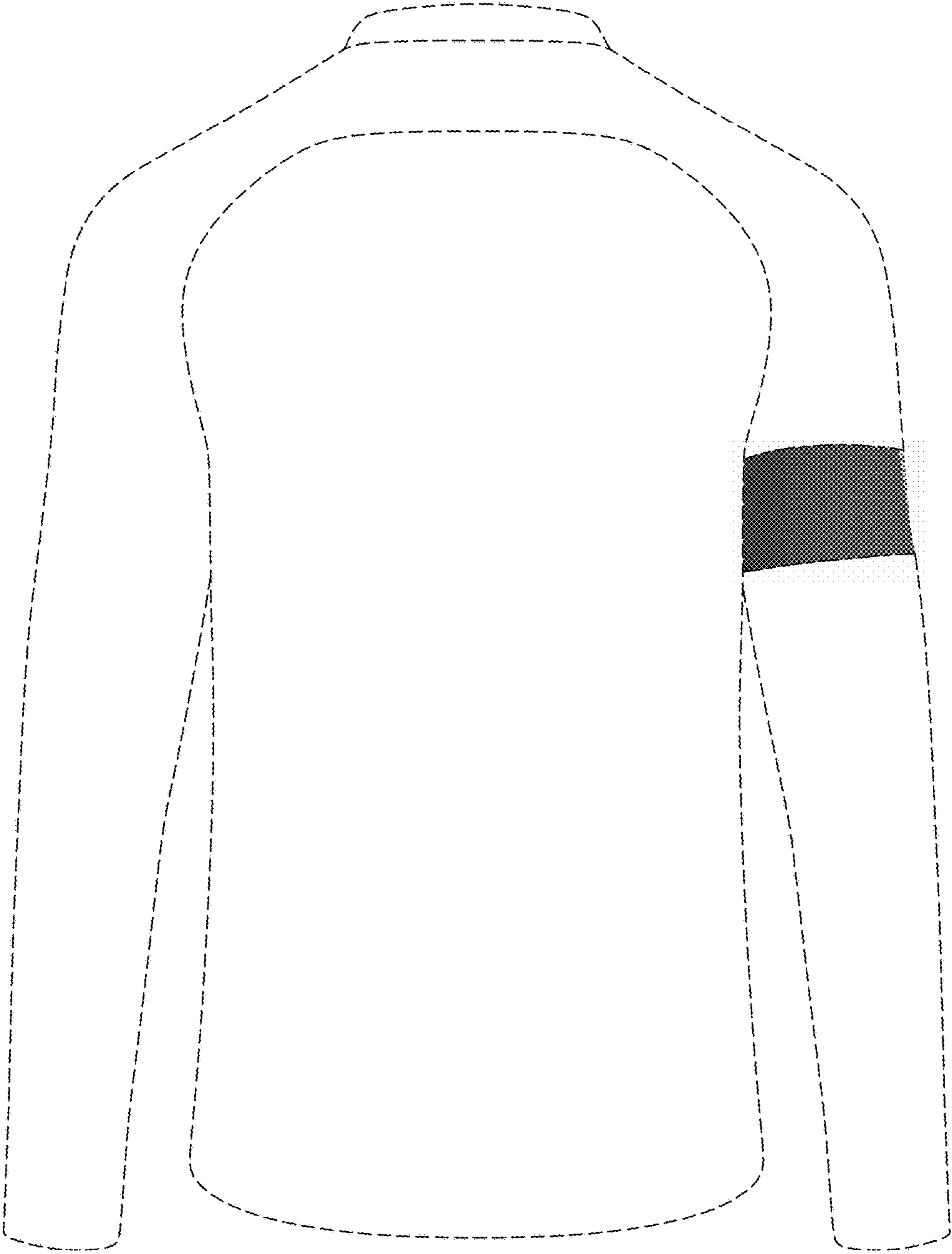


FIG. 12

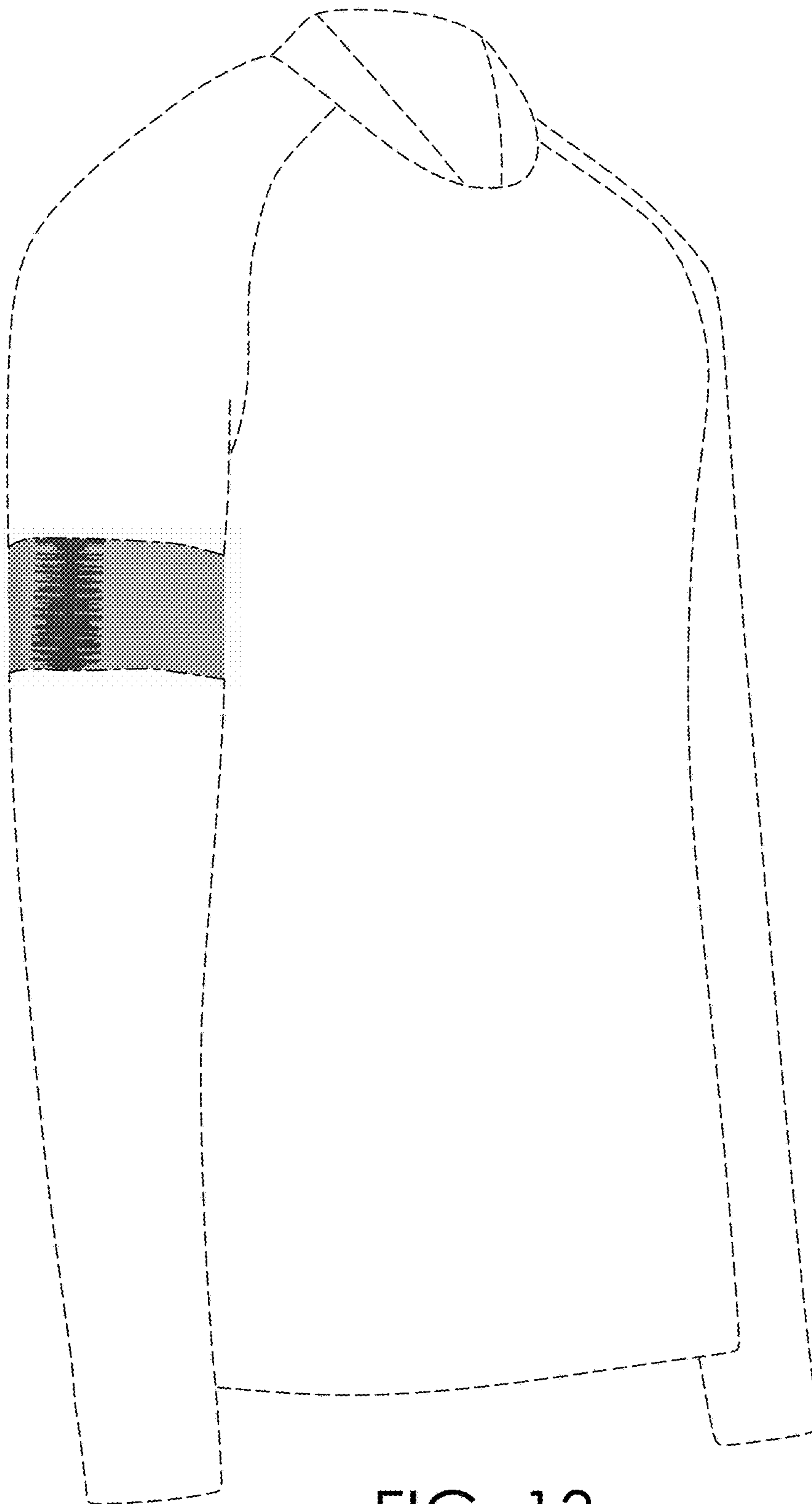


FIG. 13

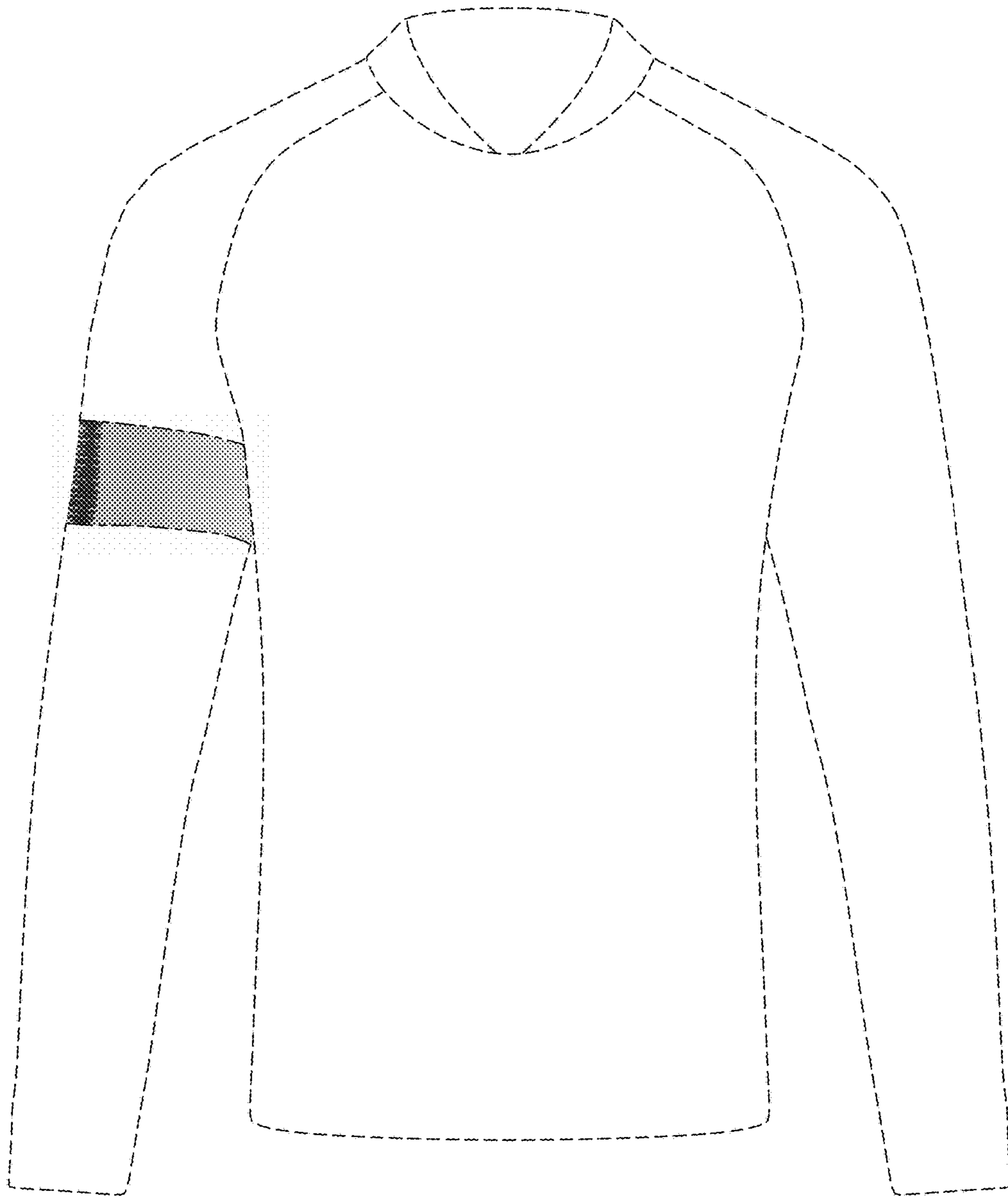


FIG. 14

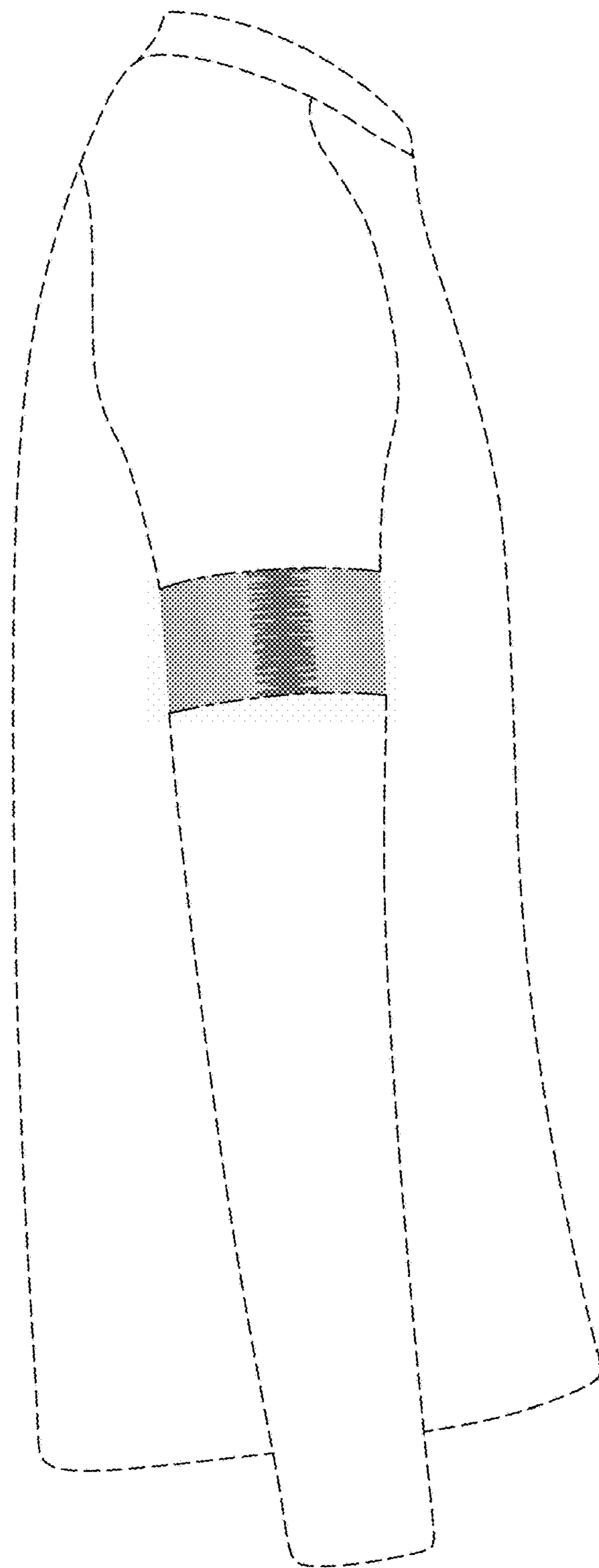


FIG. 15



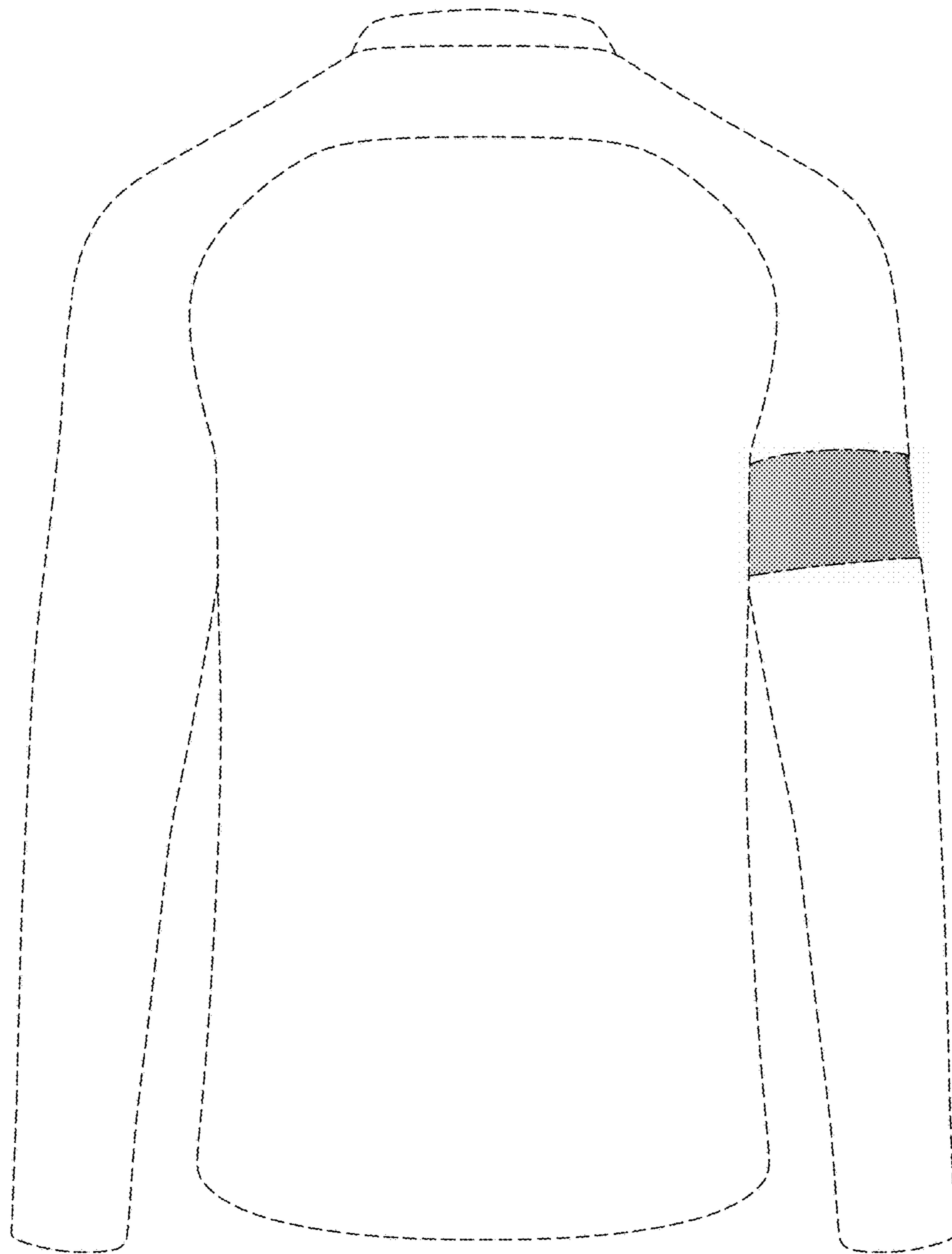


FIG. 16