



US00D836882S

(12) **United States Design Patent**
Raub

(10) **Patent No.:** **US D836,882 S**
(45) **Date of Patent:** **** Jan. 1, 2019**

(54) **POULTRY FEED BLOCK**

DESCRIPTION

- (71) Applicant: **Ridley USA Inc.**, Mankato, MN (US)
- (72) Inventor: **Randy Raub**, Mankato, MN (US)
- (73) Assignee: **Ridley USA Inc.**, Mankato, MN (US)
- (**) Term: **15 Years**
- (21) Appl. No.: **29/606,888**
- (22) Filed: **Jun. 8, 2017**
- (51) **LOC (11) Cl.** **01-01**
- (52) **U.S. Cl.**
USPC **D1/121; D1/100**
- (58) **Field of Classification Search**
USPC D1/100-130, 199; 426/5, 104, 249, 275,
426/660; D24/101-104; 273/429;
D9/707; D28/8.1; D14/433
(Continued)

FIG. 1 is a top, front, right perspective view of a first embodiment of a poultry feed block;
 FIG. 2 is a front view thereof, the bottom and back views being identical to FIG. 2;
 FIG. 3 is a top view thereof;
 FIG. 4 is a right side thereof, the left side view being identical to FIG. 4;
 FIG. 5 is a top, front, right perspective view of a second embodiment of a poultry feed block;
 FIG. 6 is a front view thereof, the bottom and back views being identical to FIG. 6;
 FIG. 7 is a top view thereof;
 FIG. 8 is a right side thereof, the left side view being identical to FIG. 8;
 FIG. 9 is a top, front, right perspective view of a third embodiment of a poultry feed block;
 FIG. 10 is a front view thereof, the bottom and back views being identical to FIG. 10;
 FIG. 11 is a top view thereof;
 FIG. 12 is a right side thereof, the left side view being identical to FIG. 12;
 FIG. 13 is a top, front, right perspective view of a fourth embodiment of a poultry feed block;
 FIG. 14 is a front view thereof, the bottom and back views being identical to FIG. 14;
 FIG. 15 is a top view thereof;
 FIG. 16 is a right side thereof, the left side view being identical to FIG. 16;
 FIG. 17 is a top, front, right perspective view of a fifth embodiment of a poultry feed block;
 FIG. 18 is a front view thereof, the bottom and back views being identical to FIG. 18;
 FIG. 19 is a top view thereof;
 FIG. 20 is a right side thereof, the left side view being identical to FIG. 20;
 FIG. 21 is a top, front, right perspective view of a sixth embodiment of a poultry feed block;
 FIG. 22 is a front view thereof, the bottom and back views being identical to FIG. 2s;
 FIG. 23 is a top view thereof;

(Continued)

(56) **References Cited**

U.S. PATENT DOCUMENTS

- D11,261 S * 6/1879 Ecker D28/8.2
 - 547,721 A * 10/1895 Hazel 52/437
- (Continued)

OTHER PUBLICATIONS

“Toy Houses Made of Wooden Blocks.” Dreamstime. Oct. 6, 2016. Web. Mar. 30, 2018. <<https://www.dreamstime.com/ stock-photo-toy-houses-made-wooden-blocks-city-suburbs-cubes-isolated-white-background-image96629034>>.*
 (Continued)

Primary Examiner — Katie Jane Stofko
 (74) *Attorney, Agent, or Firm* — Oppedahl Patent Law Firm LLC

(57) **CLAIM**

The ornamental design for a poultry feed block, as shown and described.

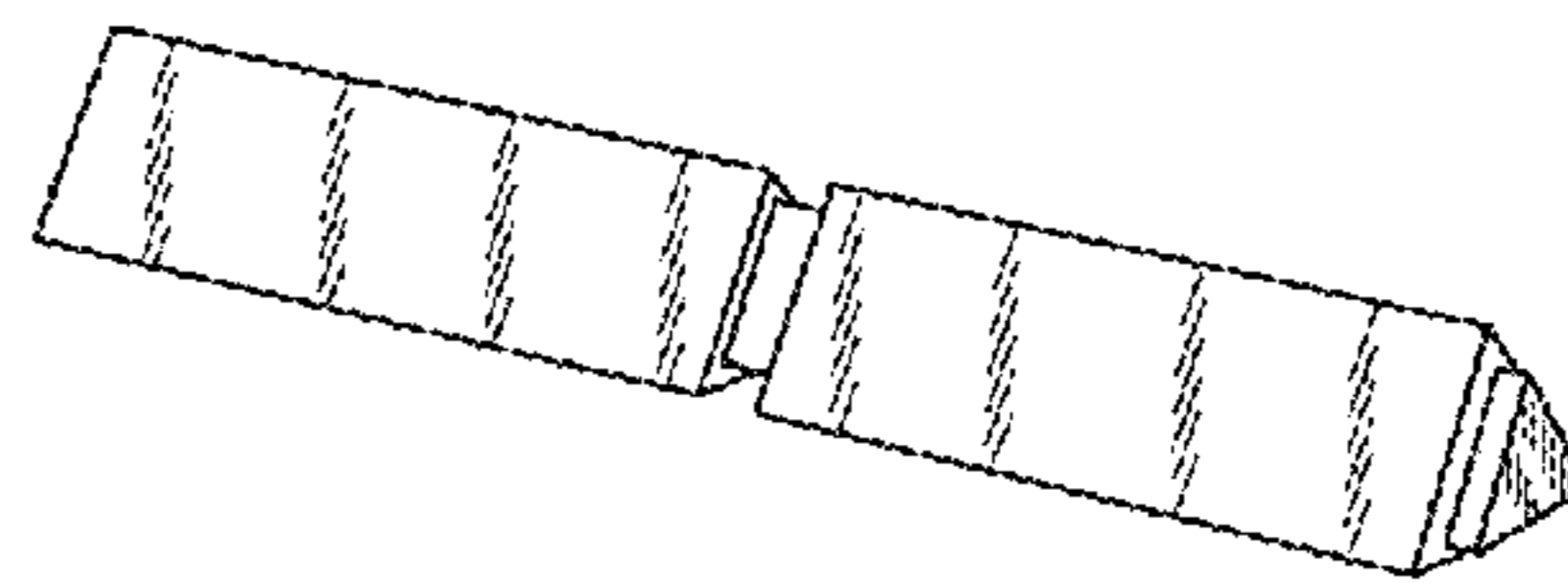
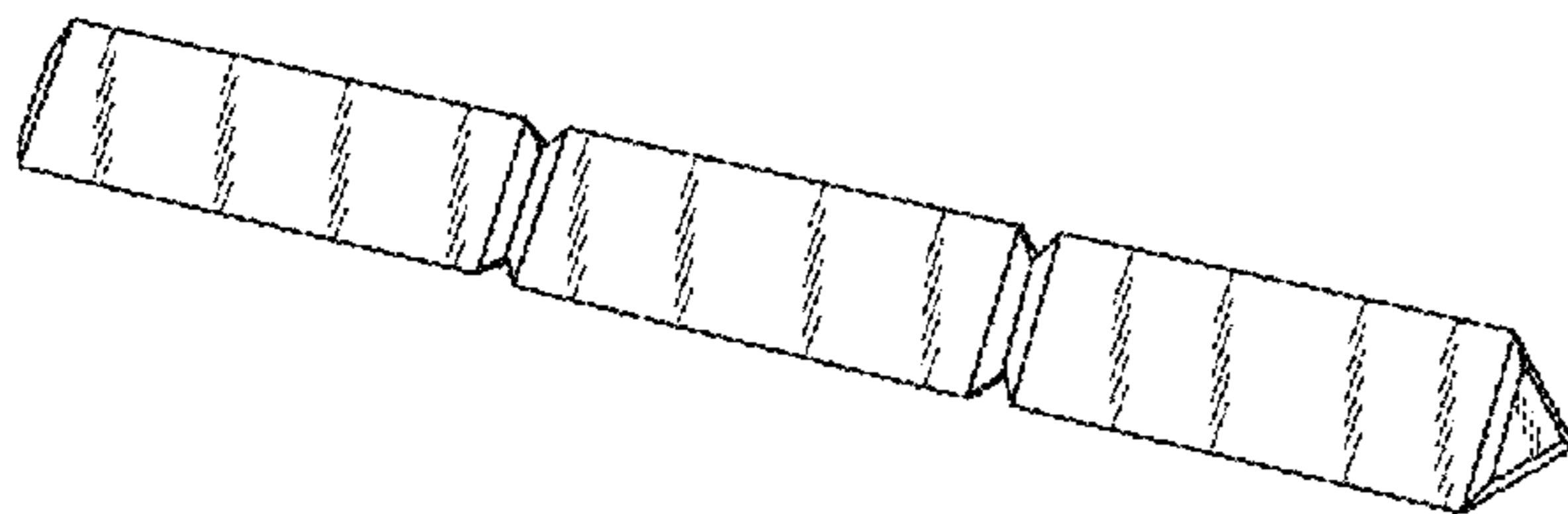


FIG. 24 is a right side thereof, the left side view being identical to FIG. 24;
 FIG. 25 is a top, front, right perspective view of a seventh embodiment of a poultry feed block;
 FIG. 26 is a front view thereof, the bottom and back views being identical to FIG. 26;
 FIG. 27 is a top view thereof;
 FIG. 28 is a right side thereof, the left side view being identical to FIG. 28;
 FIG. 29 is a top, front, right perspective view of an eighth embodiment of a poultry feed block;
 FIG. 30 is a front view thereof, the bottom and back views being identical to FIG. 30;
 FIG. 31 is a top view thereof;
 FIG. 32 is a right side thereof, the left side view being identical to FIG. 32;
 FIG. 33 is a top, front, right perspective view of a ninth embodiment of a poultry feed block;
 FIG. 34 is a front view thereof, the bottom and back views being identical to FIG. 34;
 FIG. 35 is a top view thereof;
 FIG. 36 is a right side thereof, the left side view being identical to FIG. 36;
 FIG. 37 is a top, front, right perspective view of a tenth embodiment of a poultry feed block;
 FIG. 38 is a front view thereof, the bottom and back views being identical to FIG. 38;
 FIG. 39 is a top view thereof;
 FIG. 40 is a right side thereof, the left side view being identical to FIG. 40;
 FIG. 41 is a top, front, right perspective view of an eleventh embodiment of a poultry feed block;
 FIG. 42 is a front view thereof, the bottom and back views being identical to FIG. 42;
 FIG. 43 is a top view thereof;
 FIG. 44 is a right side thereof, the left side view being identical to FIG. 44;
 FIG. 45 is a top, front, right perspective view of a twelfth embodiment of a poultry feed block;
 FIG. 46 is a front view thereof, the bottom and back views being identical to FIG. 46;
 FIG. 47 is a top view thereof; and,
 FIG. 48 is a right side thereof, the left side view being identical to FIG. 48.

1 Claim, 6 Drawing Sheets

(58) **Field of Classification Search**

CPC . A23G 3/54; A23G 4/20; A23G 3/343; A23G 3/36; A23G 3/28; A61K 9/2072; A61K 9/2095

See application file for complete search history.

(56)

References Cited

U.S. PATENT DOCUMENTS

D124,755	S *	1/1941	Voorhis	206/509
D206,429	S *	12/1966	Eckelman	D1/121
3,416,931	A *	12/1968	Posegate	A23B 4/0056 426/249
3,677,167	A *	7/1972	Berg	A23B 4/064 53/111 RC
4,196,809	A *	4/1980	Tonrey	B65D 77/2064 206/459.5
4,215,104	A	7/1980	Ullman et al.	
4,348,949	A *	9/1982	Selleck	A21B 3/13 426/391
D310,579	S *	9/1990	Ni	D24/103
D327,661	S *	7/1992	Cowan	D11/19
D375,181	S	11/1996	Tourney et al.	
5,755,177	A	5/1998	Michehl	
5,958,487	A *	9/1999	Emberger	A23B 4/064 426/129
D428,232	S	7/2000	Thornberg	
D522,711	S	6/2006	Nakata	
D522,712	S	6/2006	Nakata	
D522,713	S	6/2006	Nakata	
D556,426	S	12/2007	Slessor et al.	
D586,076	S	2/2009	Scavino	
7,685,967	B2	3/2010	Hoogland	
D632,027	S	2/2011	Johnston et al.	
D637,732	S *	5/2011	Galano	D24/225
D650,146	S *	12/2011	Cheung	D1/102
D658,347	S	5/2012	Gottardi B. Maia	
D682,466	S *	5/2013	Cantelmo	D28/4
D715,019	S	10/2014	Rosenberg	
D742,616	S	11/2015	Enoch et al.	
D744,192	S	12/2015	Cole et al.	
D772,525	S	11/2016	Enoch et al.	
D784,651	S *	4/2017	Loacker	D1/121
2009/0297569	A1 *	12/2009	Hurwitz	A61K 8/02 424/401
2012/0174867	A1	7/2012	Campbell	

OTHER PUBLICATIONS

Yasin, Mahathir Mohd. "Toblerone." Shutterstock. Apr. 22, 2015. Web. Sep. 6, 2018. <<http://www.shutterstock.com/image-photo/kuala-lumpur-malaysia-april-22nd-2015-271707743>>.*
 Jobs, Chris. "Tootsie Roll." Alamo. May 15, 2017. Web. Sep. 6, 2018. <<https://www.alamy.com/stock-photo-tootsie-roll-141107102.html>>.*
 "Bollards." Barling's Woodworks. Jan. 25, 2014. Web. Sep. 6, 2018. <<http://web.archive.org/web/20140125065110/http://www.barlings.com.au/Bollards/bollards.html>>.*
 "Snap-Lock Beads." JustDisney.com. Apr. 16, 2016. Web. Sep. 6, 2018. <<https://www.justdisney.com/store/Vintage-Walt-Disney-Productions-11lco-Pre-school-Toys-19-Snap-lock-Beads-152537165039.html>>.*
 Ridley USA Inc. "Poultry Feed Block" Design U.S. Appl. No. 29/606,882, filed Jun. 8, 2017; the specification, drawings, and filing receipt are attached hereto.
 "Brick External Cladding." Steel Construction Info. Nov. 4, 2012. Web. Mar. 27, 2018. <https://www.steelconstruction.info/Intl_waling>.

* cited by examiner

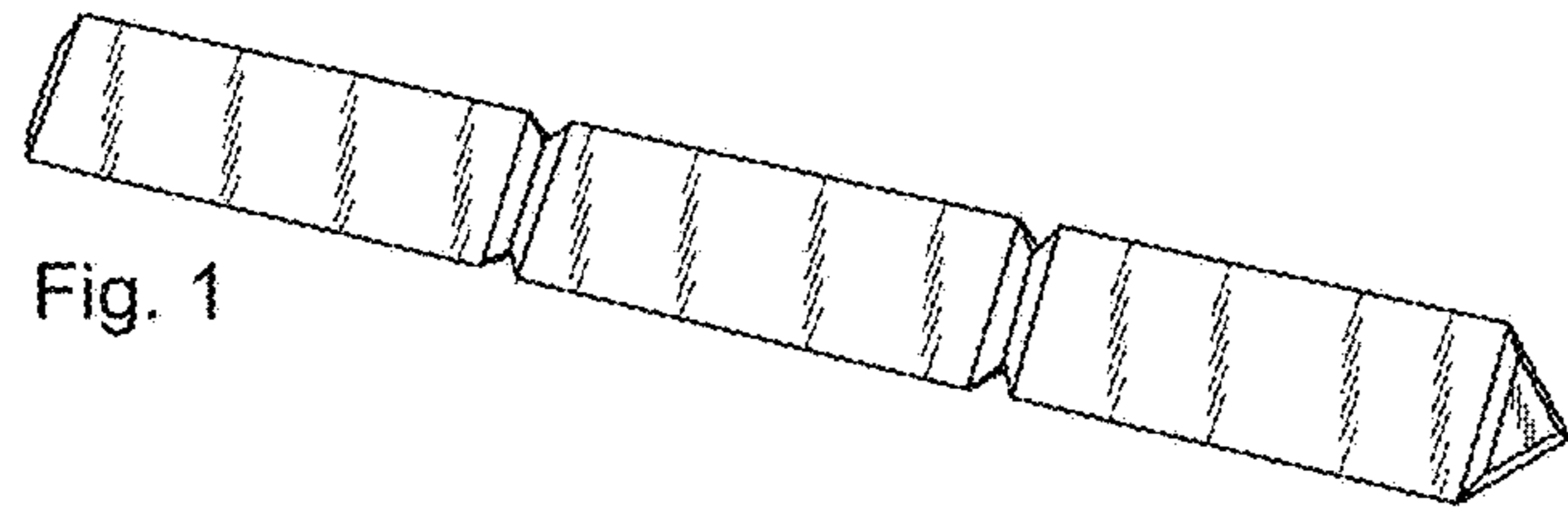


Fig. 1

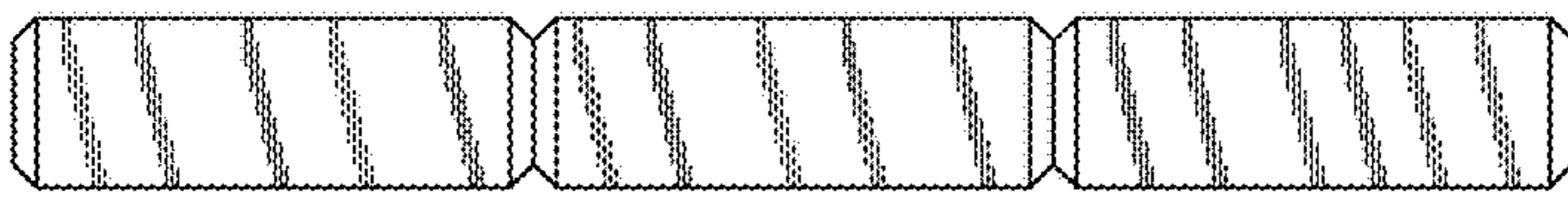


Fig. 2

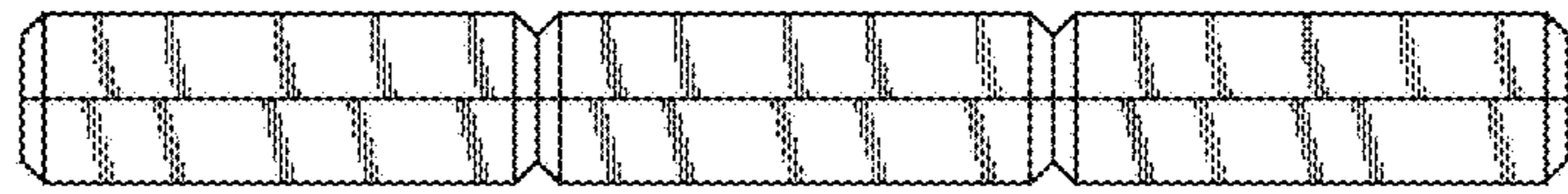


Fig. 3

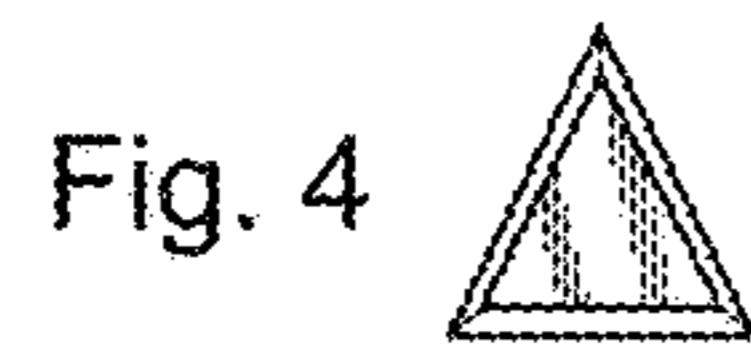


Fig. 4

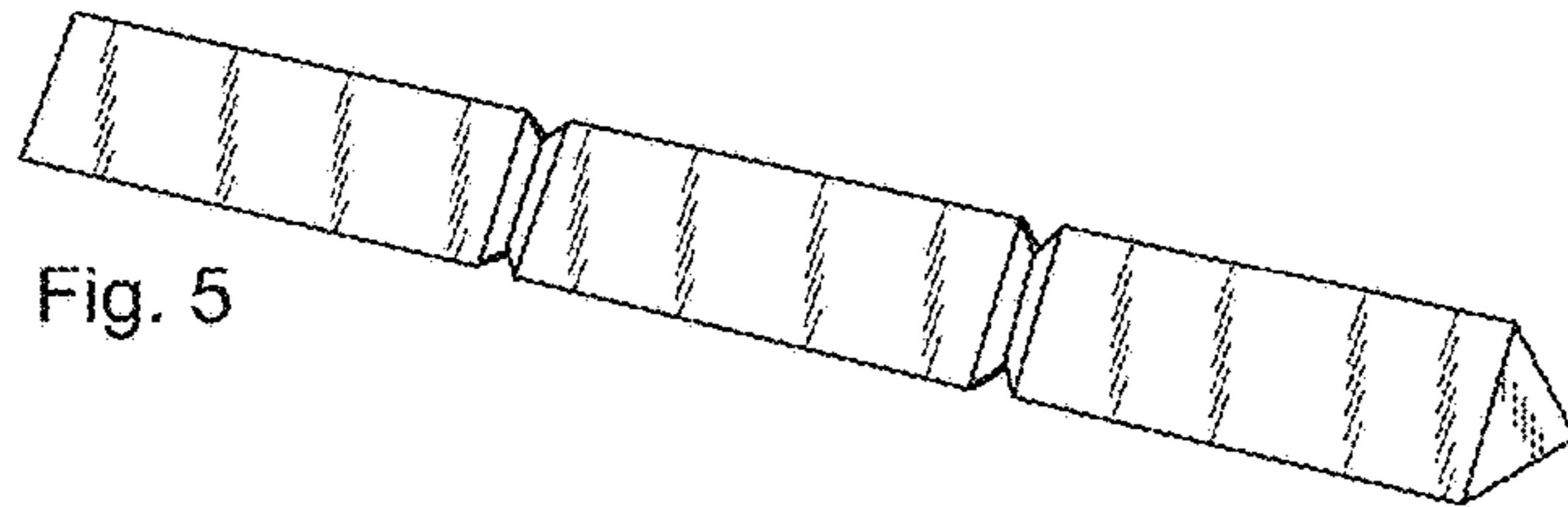


Fig. 5



Fig. 6

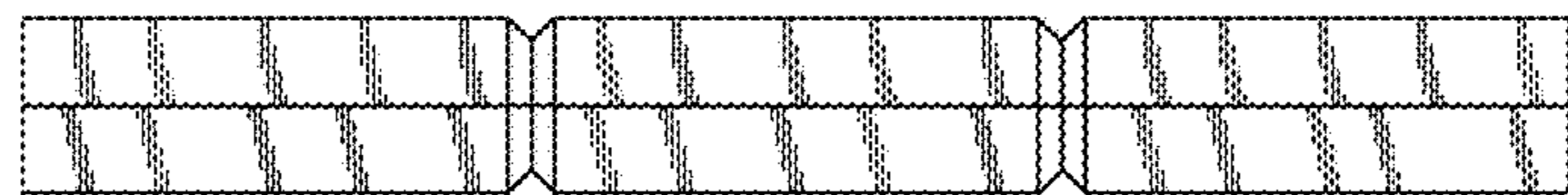


Fig. 7

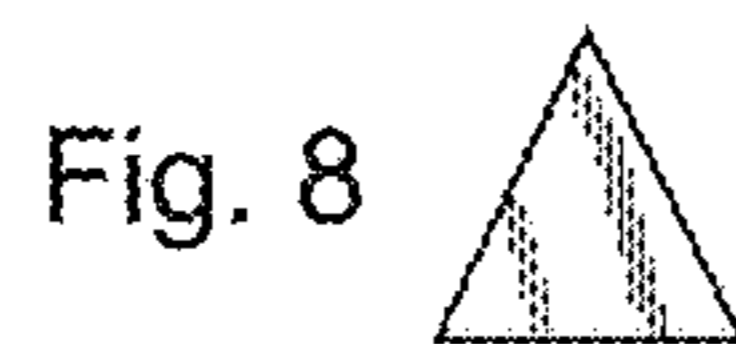
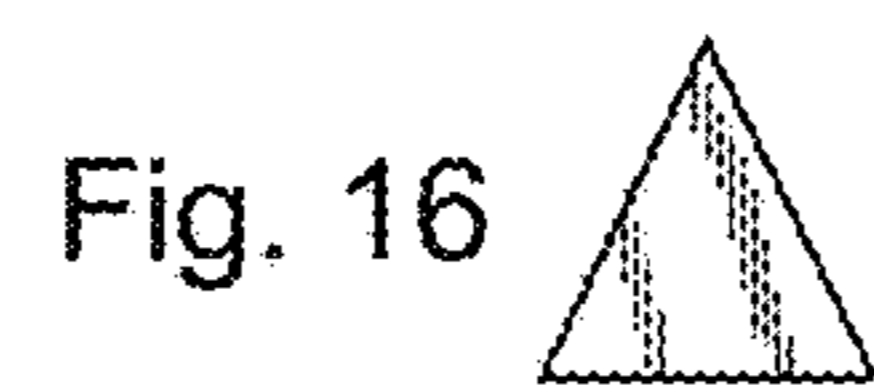
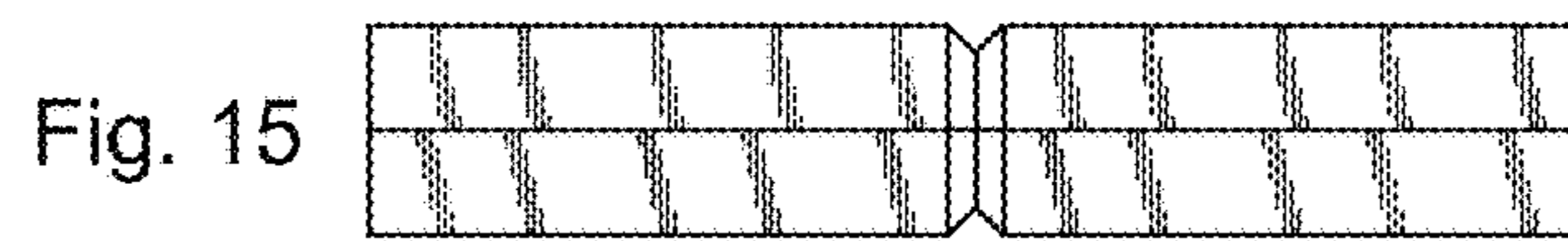
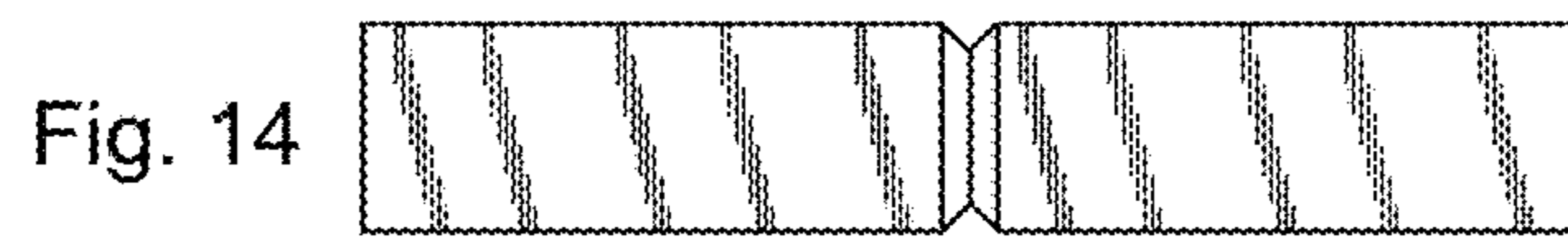
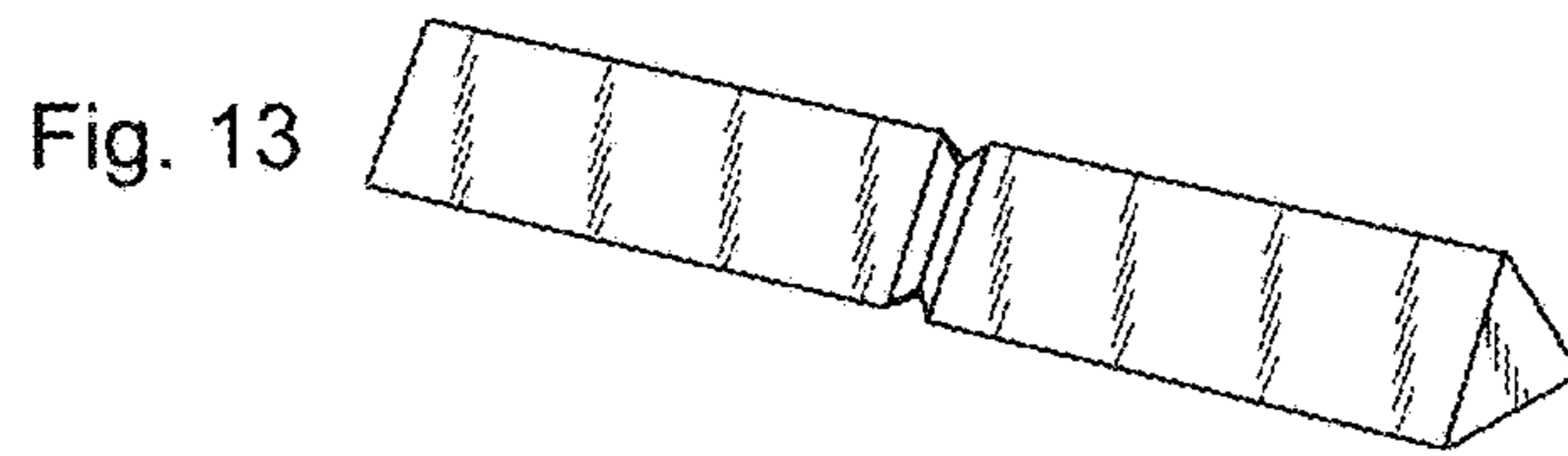
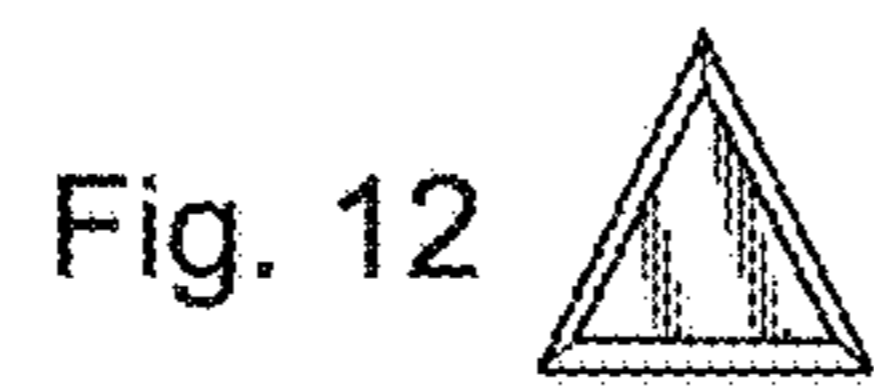
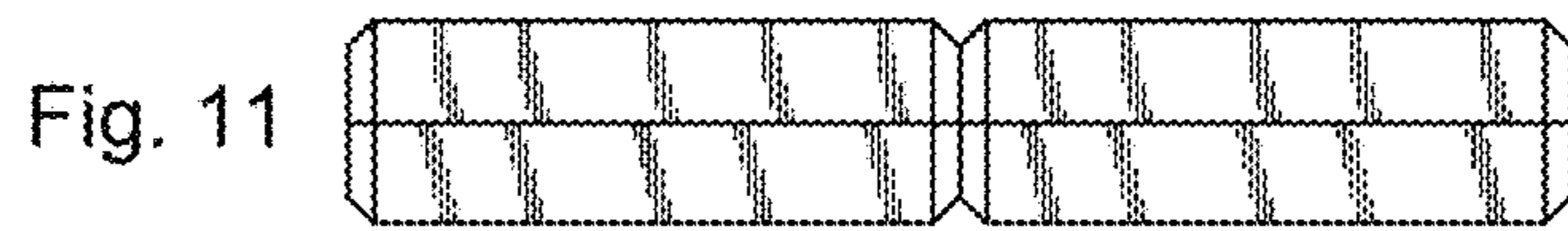
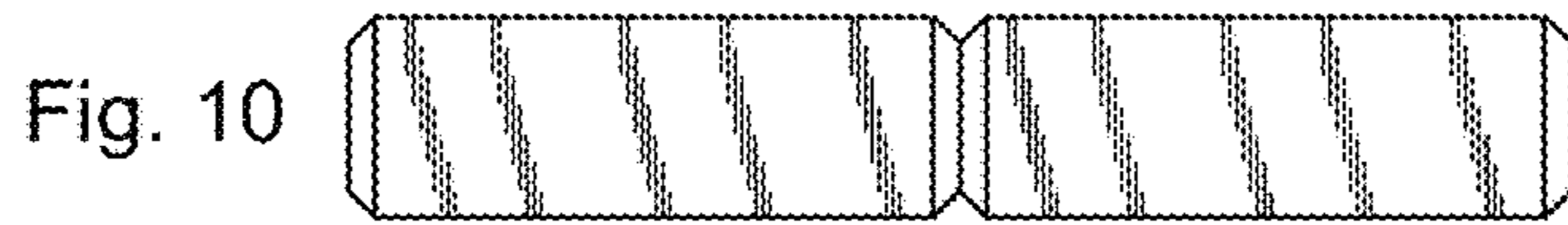
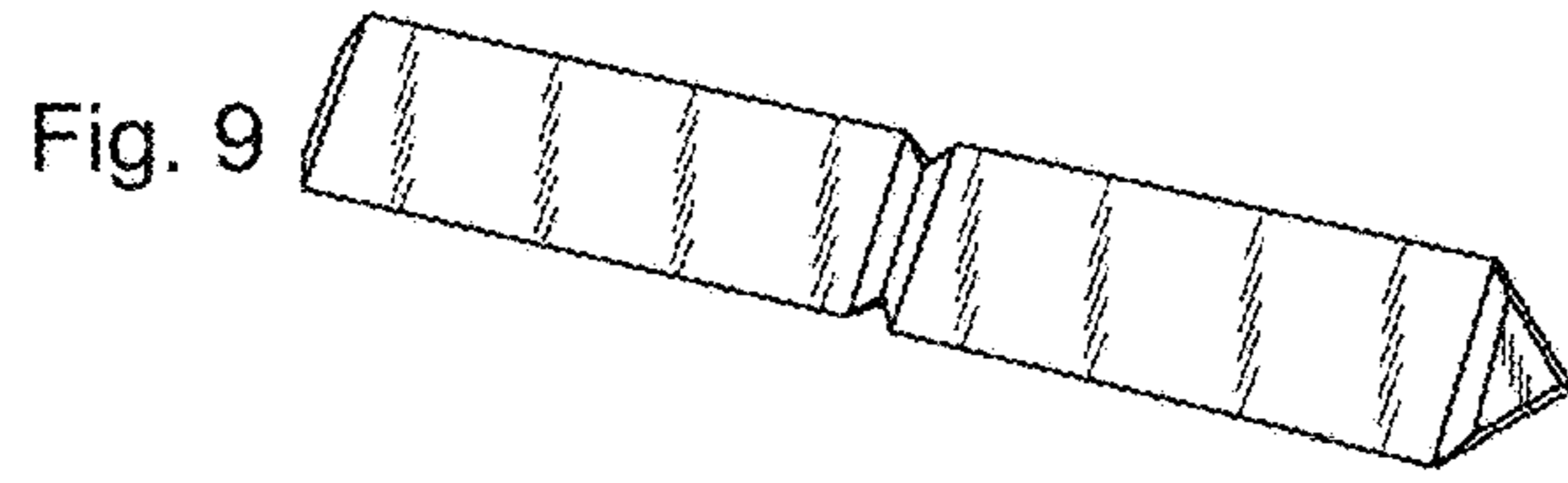


Fig. 8



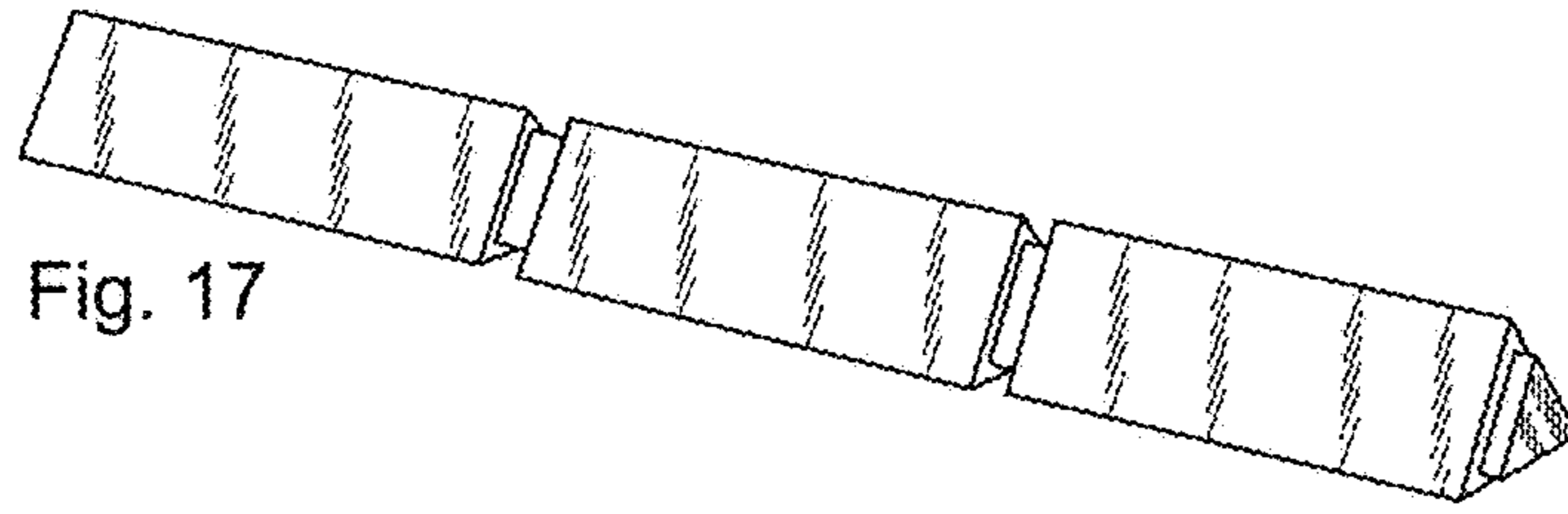


Fig. 17

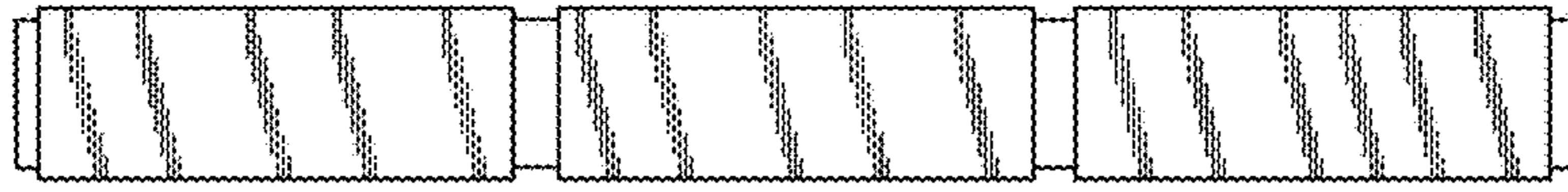


Fig. 18

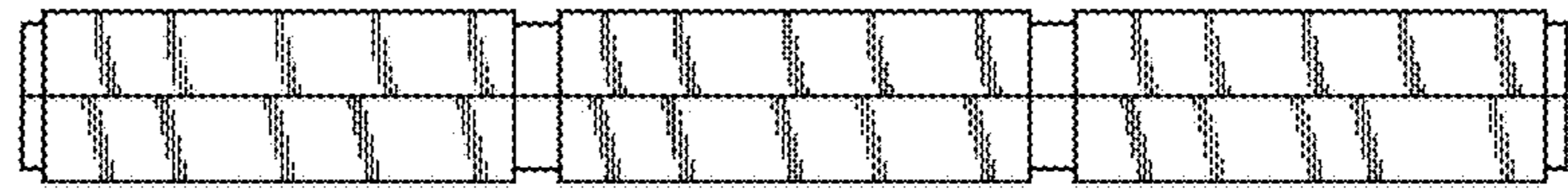


Fig. 19

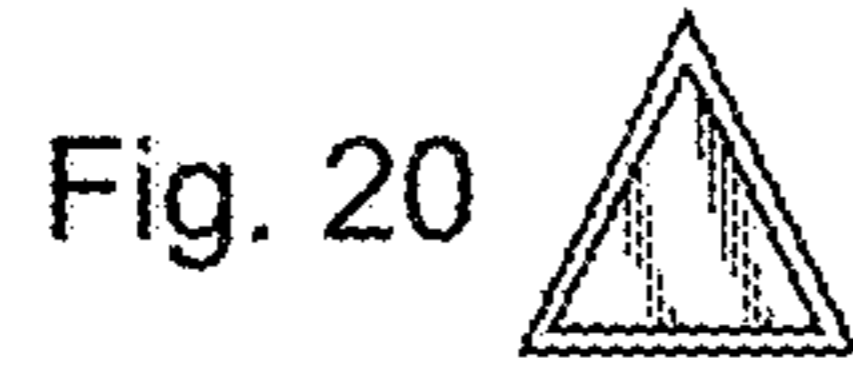


Fig. 20

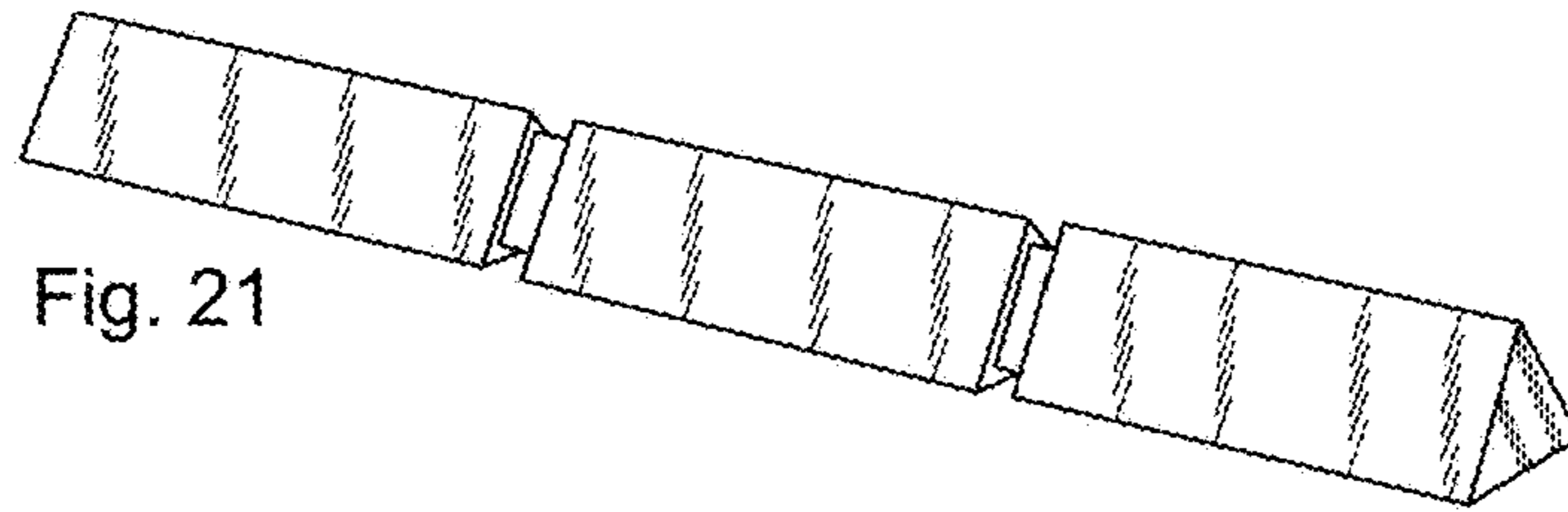


Fig. 21

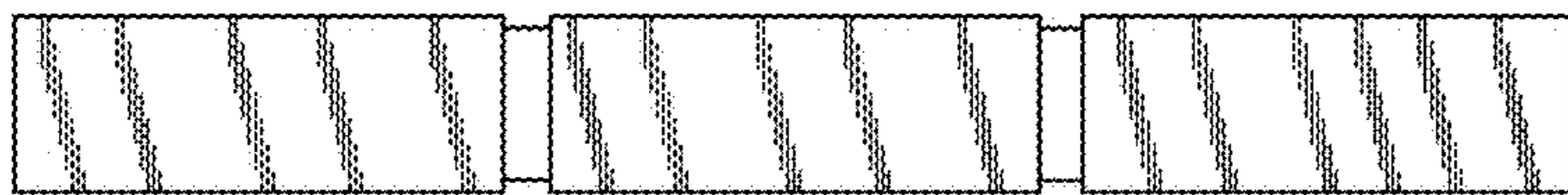


Fig. 22

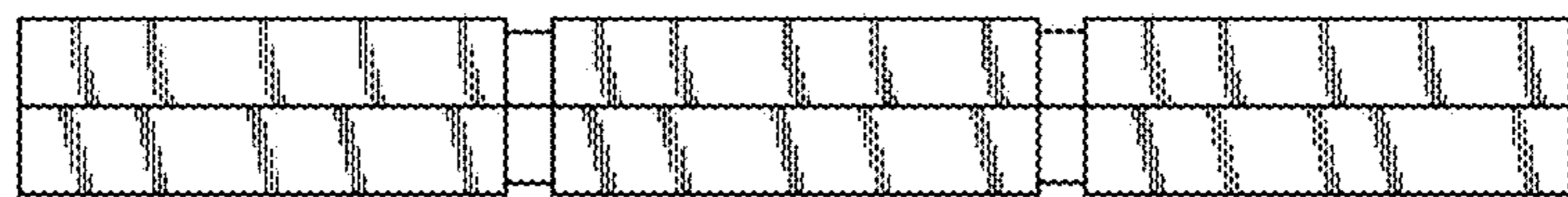


Fig. 23

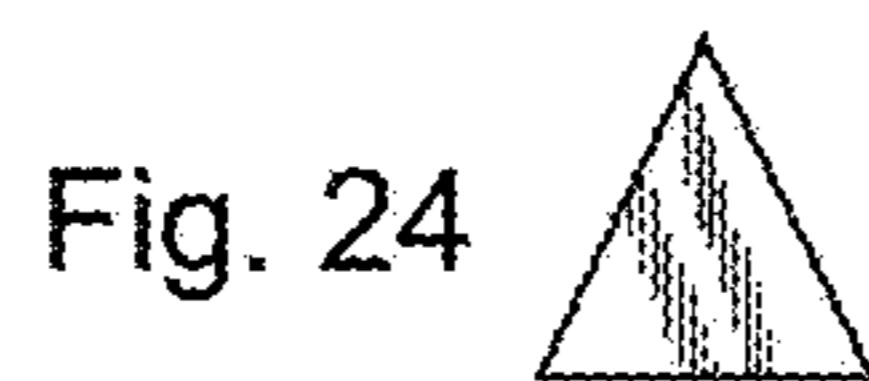
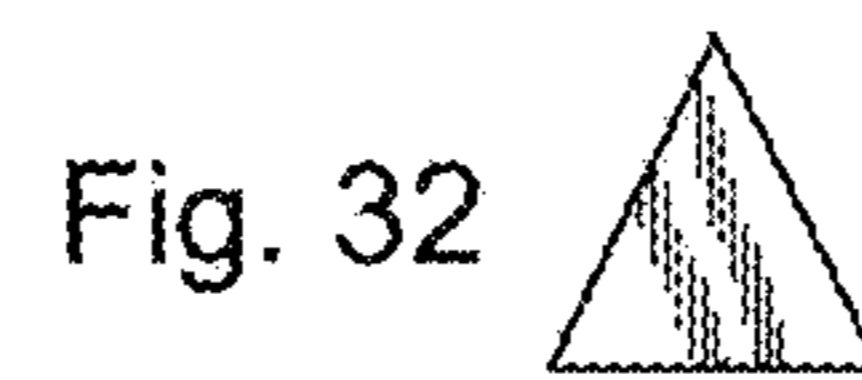
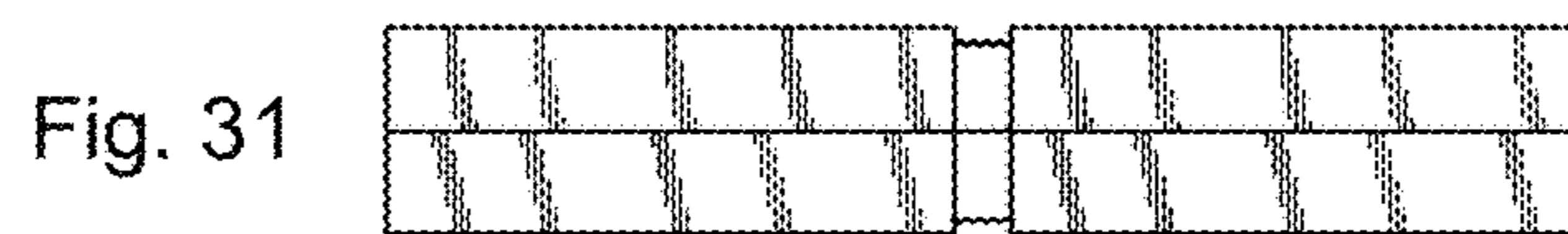
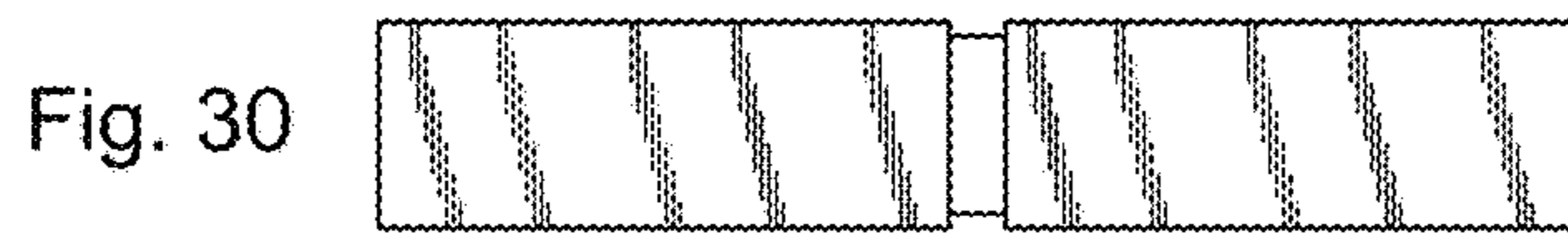
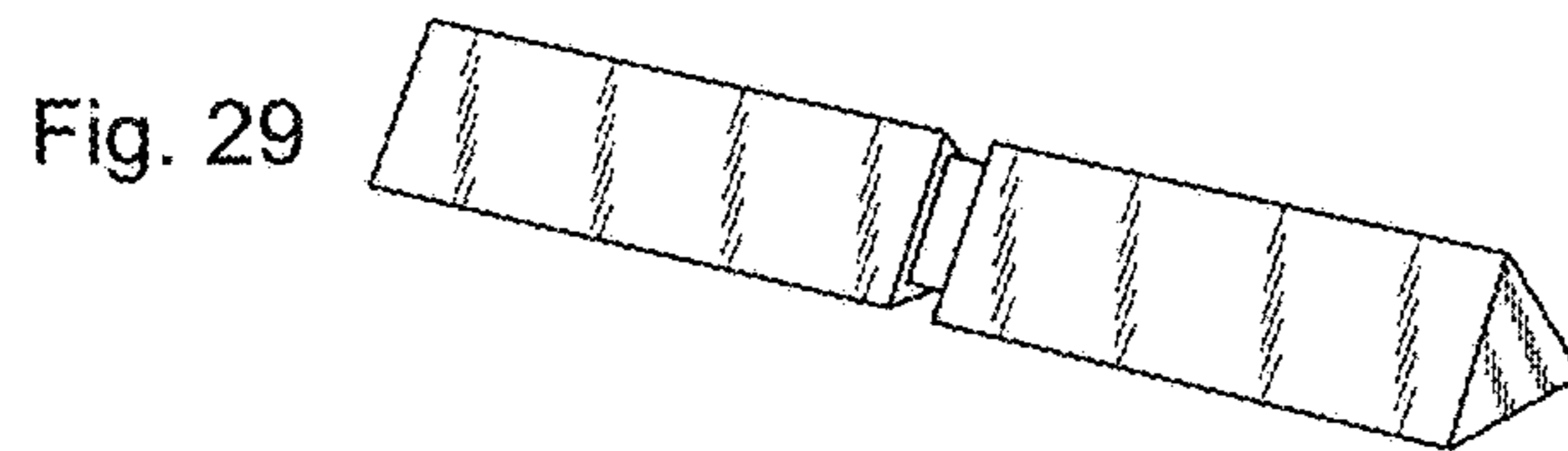
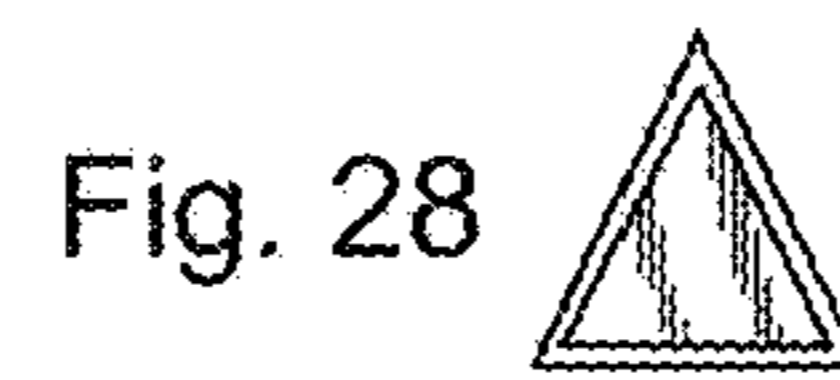
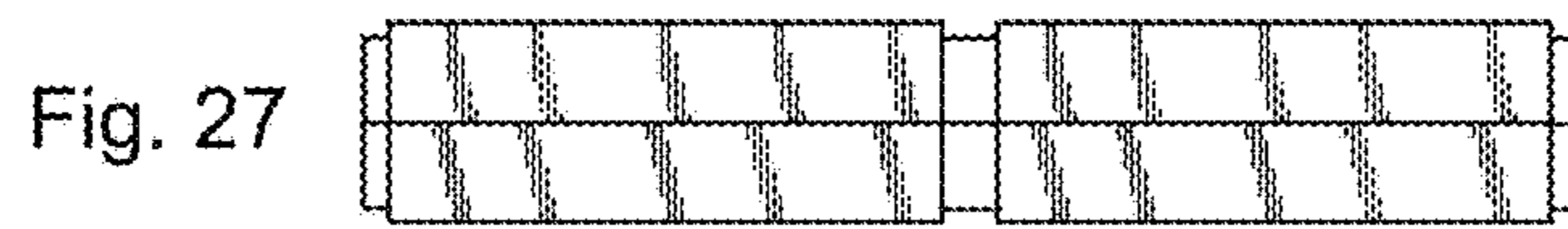
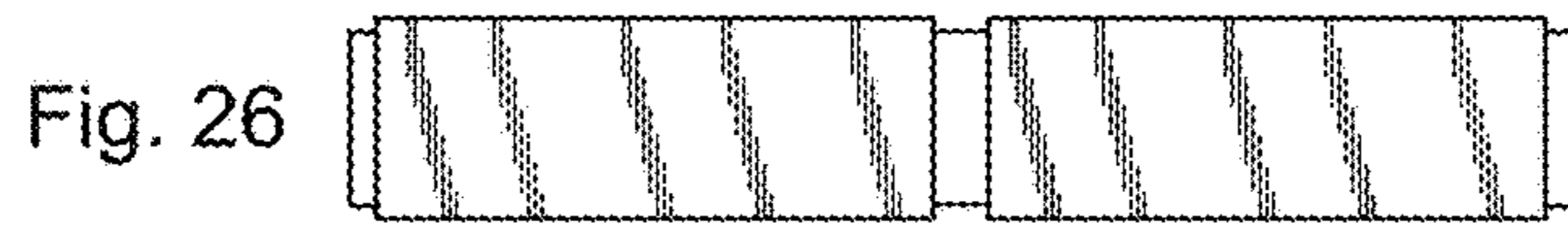
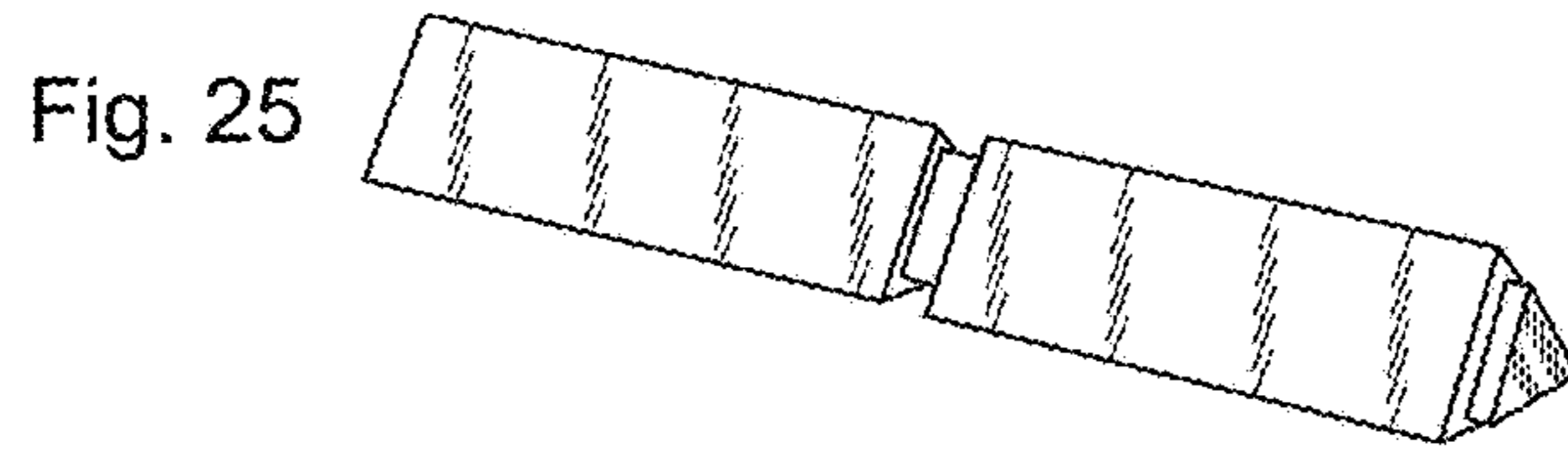


Fig. 24



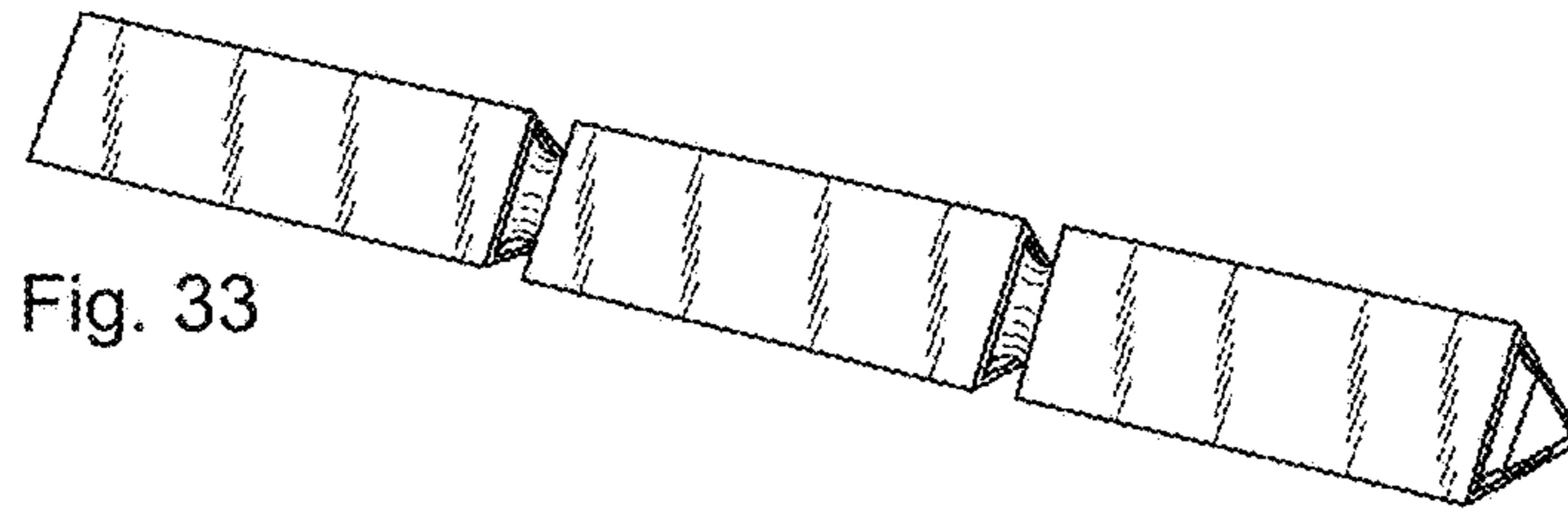


Fig. 33

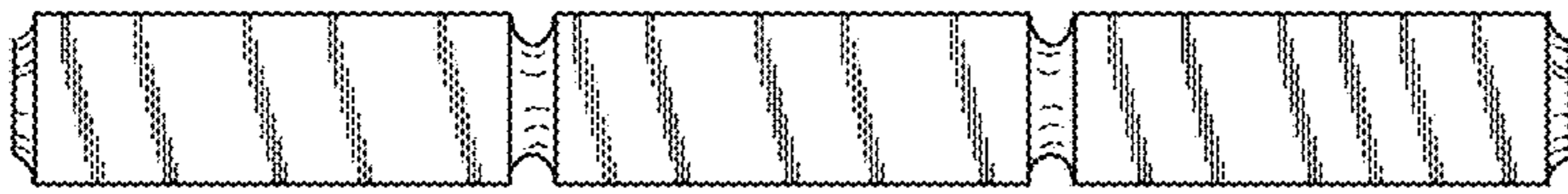


Fig. 34

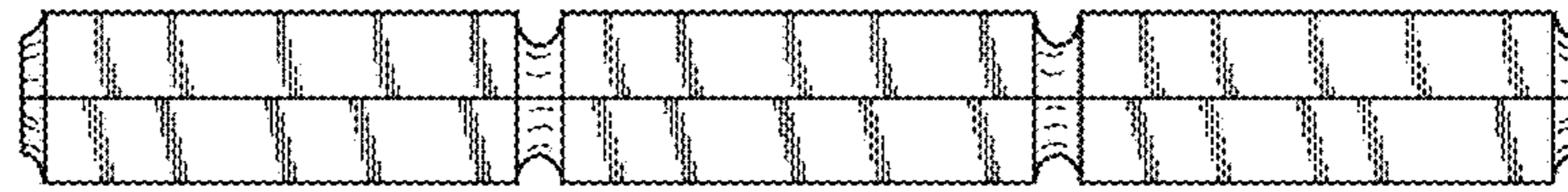


Fig. 35

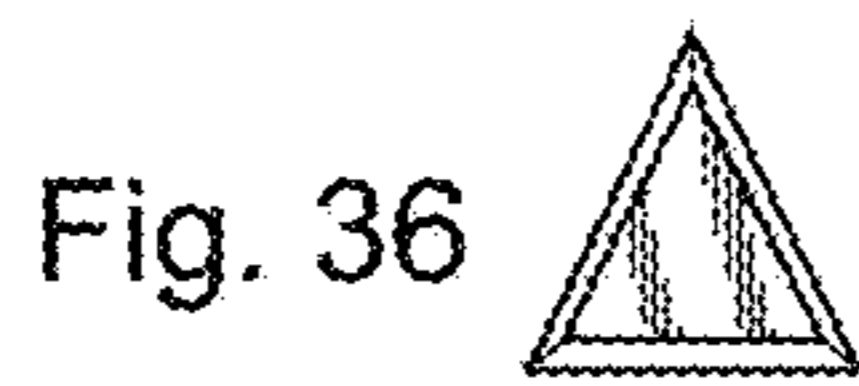


Fig. 36

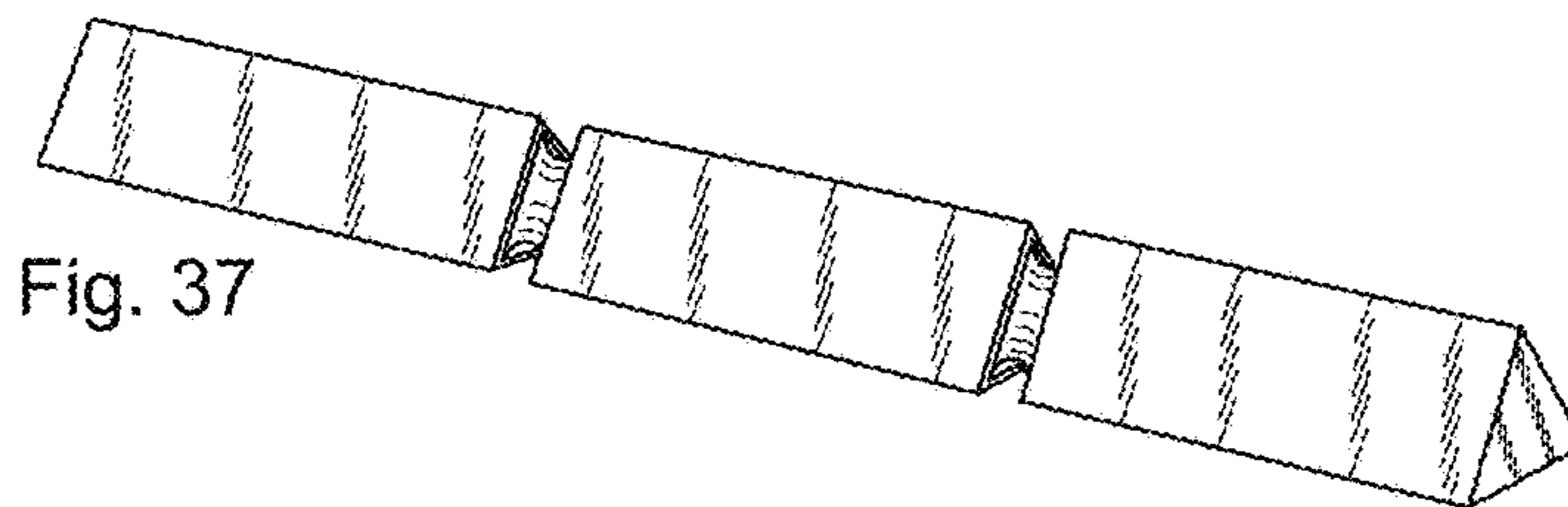


Fig. 37

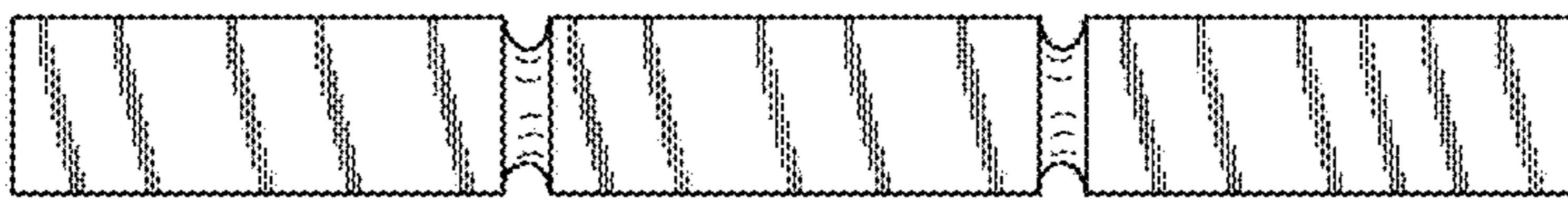


Fig. 38

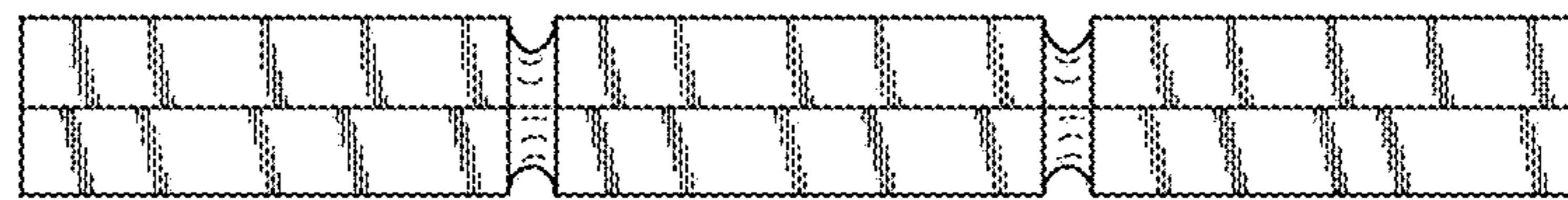


Fig. 39

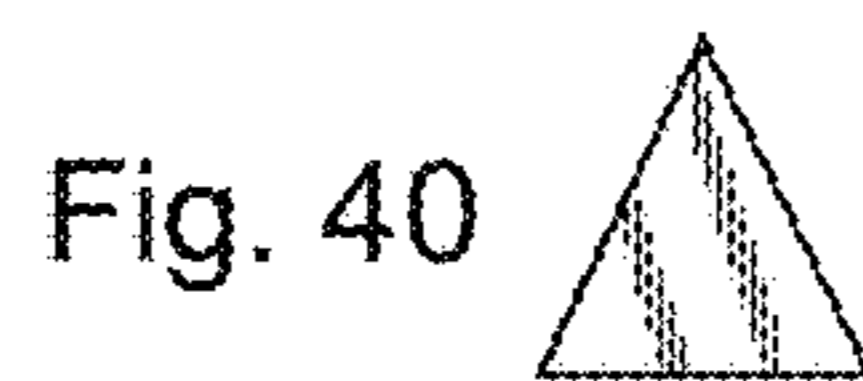


Fig. 40

