



US00D836881S

(12) **United States Design Patent**
Raub

(10) **Patent No.:** **US D836,881 S**
(45) **Date of Patent:** **** Jan. 1, 2019**

(54) **POULTRY FEED BLOCK**

(71) Applicant: **Ridley USA Inc.**, Mankato, MN (US)

(72) Inventor: **Randy Raub**, Mankato, MN (US)

(73) Assignee: **Ridley USA Inc.**, Mankato, MN (US)

(**) Term: **15 Years**

(21) Appl. No.: **29/606,882**

(22) Filed: **Jun. 8, 2017**

(51) **LOC (11) Cl.** **01-01**

(52) **U.S. Cl.**
USPC **D1/121; D1/100**

(58) **Field of Classification Search**
USPC D1/100-130, 199; 426/5, 104, 249, 275,
426/660; D24/101-104; 273/429;
D9/707; D28/8.1; D14/433

(Continued)

(56) **References Cited**

U.S. PATENT DOCUMENTS

D11,261 S * 6/1879 Ecker D28/8.2
547,721 A * 10/1895 Hazel 52/437

(Continued)

OTHER PUBLICATIONS

“Brick External Cladding.” Steel Construction Info. Nov. 4, 2012.
Web. Mar. 27, 2018. <https://www.steelconstruction.info/Infill_walling>.*

(Continued)

Primary Examiner — Katie Jane Stofko

(74) *Attorney, Agent, or Firm* — Oppedahl Patent Law Firm LLC

(57) **CLAIM**

The ornamental design for a poultry feed block, as shown and described.

DESCRIPTION

FIG. 1 is a top, front, right perspective view of a first embodiment of a poultry feed block;

FIG. 2 is a front view thereof, the top, bottom and back views being identical to FIG. 2;

FIG. 3 is a right side thereof, the left side view being identical to FIG. 3;

FIG. 4 is a top, front right perspective view of a second embodiment of a poultry feed block;

FIG. 5 is a front view thereof, the top, bottom and back views being identical to FIG. 5;

FIG. 6 is a right side thereof, the left side view being identical to FIG. 6;

FIG. 7 is a top, front right perspective view of a third embodiment of a poultry feed block;

FIG. 8 is a front view thereof, the top, bottom and back views being identical to FIG. 8;

FIG. 9 is a right side thereof, the left side view being identical to FIG. 9;

FIG. 10 is a top, front, right perspective view of a fourth embodiment of a poultry feed block;

FIG. 11 is a front view thereof, the top, bottom and back views being identical to FIG. 11;

FIG. 12 is a right side thereof, the left side view being identical to FIG. 12;

FIG. 13 is a top, front, right perspective view of a fifth embodiment of a poultry feed block;

FIG. 14 is a front view thereof, the top, bottom and back views being identical to FIG. 14;

FIG. 15 is a right side thereof, the left side view being identical to FIG. 15;

FIG. 16 is a top, front, right perspective view of a sixth embodiment of a poultry feed block;

FIG. 17 is a front view thereof, the top, bottom and back views being identical to FIG. 17;

FIG. 18 is a right side thereof, the left side view being identical to FIG. 18;

FIG. 19 is a top, front, right perspective view of a seventh embodiment of a poultry feed block;

FIG. 20 is a front view thereof, the top, bottom and back views being identical to FIG. 20;

FIG. 21 is a right side thereof, the left side view being identical to FIG. 21;

FIG. 22 is a top, front, right perspective view of an eighth embodiment of a poultry feed block;

(Continued)

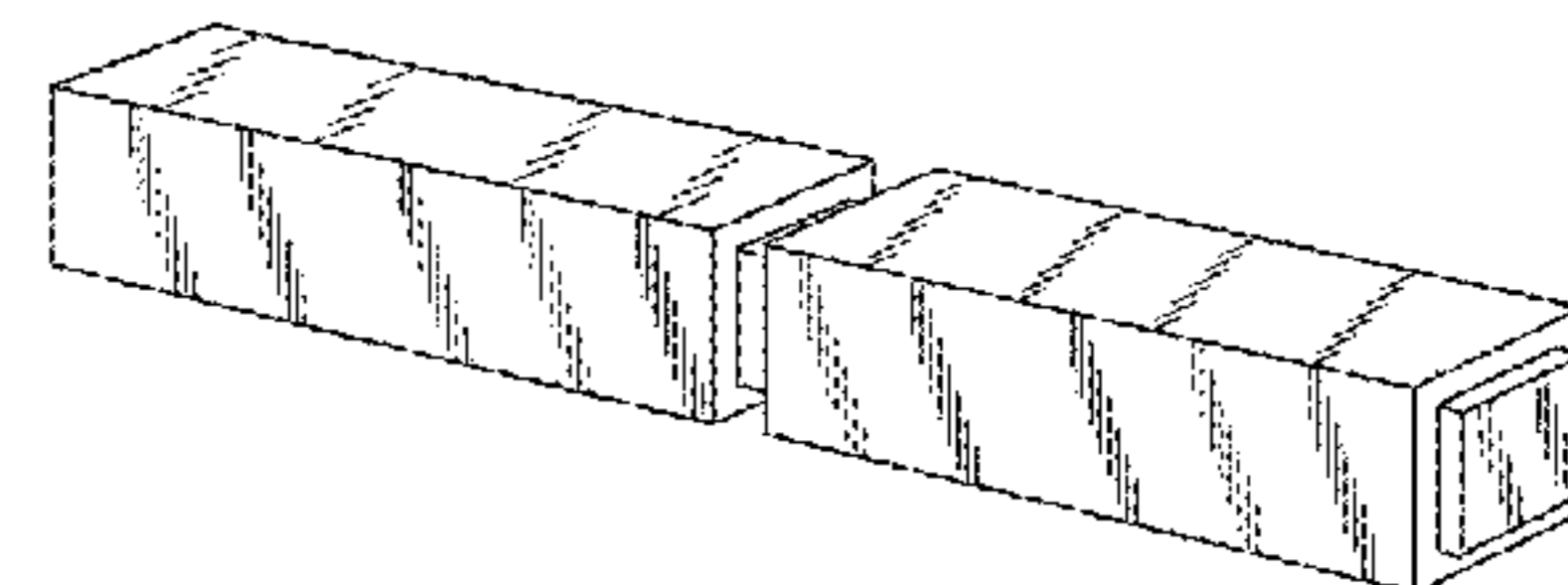
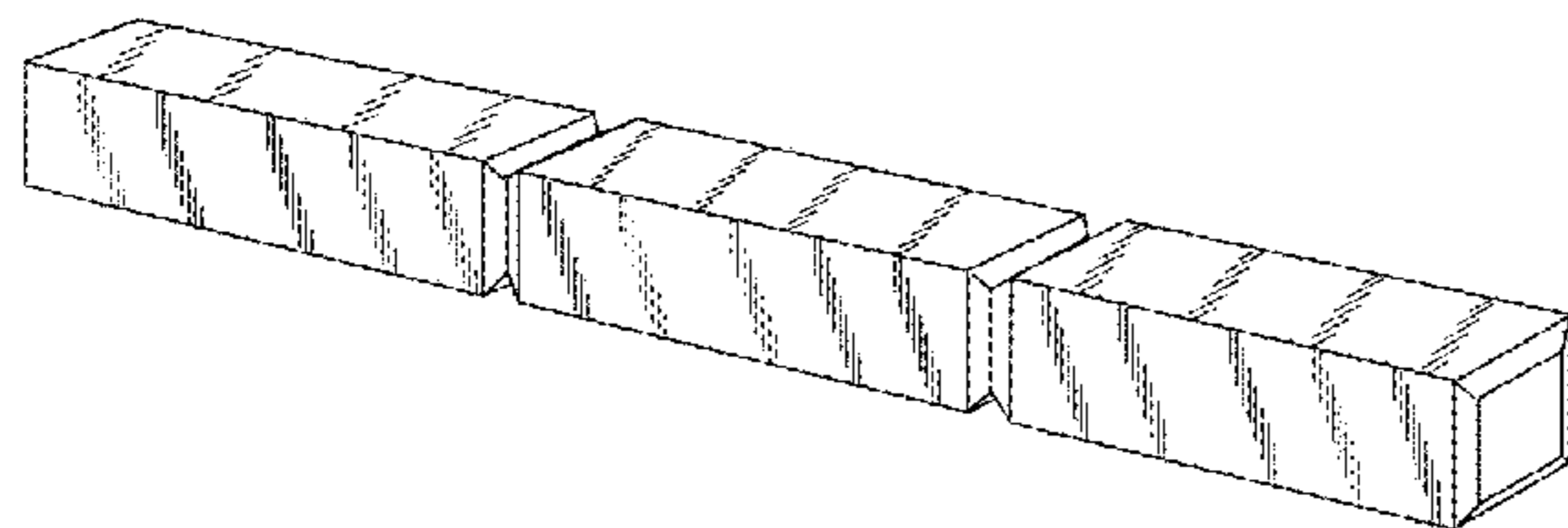


FIG. 23 is a front view thereof, the top, bottom and back views being identical to FIG. 23;
 FIG. 24 is a right side thereof, the left side view being identical to FIG. 24;
 FIG. 25 is a top, front, right perspective view of a ninth embodiment of a poultry feed block;
 FIG. 26 is a front view thereof, the top, bottom and back views being identical to FIG. 26;
 FIG. 27 is a right side thereof, the left side view being identical to FIG. 27;
 FIG. 28 is a top, front, right perspective view of a tenth embodiment of a poultry feed block;
 FIG. 29 is a front view thereof, the top, bottom and back views being identical to FIG. 29;
 FIG. 30 is a right side thereof, the left side view being identical to FIG. 30;
 FIG. 31 is a top, front, right perspective view of an eleventh embodiment of a poultry feed block;
 FIG. 32 is a front view thereof, the top, bottom and back views being identical to FIG. 32;
 FIG. 33 is a right side thereof, the left side view being identical to FIG. 33;
 FIG. 34 is a top, front, right perspective view of a twelfth embodiment of a poultry feed block;
 FIG. 35 is a front view thereof, the top, bottom and back views being identical to FIG. 35; and,
 FIG. 36 is a right side thereof, the left side view being identical to FIG. 36.

1 Claim, 6 Drawing Sheets

(58) **Field of Classification Search**

CPC . A23G 3/54; A23G 4/20; A23G 3/343; A23G 3/36; A23G 3/28; A61K 9/2072; A61K 9/2095

See application file for complete search history.

(56) **References Cited**

U.S. PATENT DOCUMENTS

D124,755 S * 1/1941 Voorhis 206/509
 D206,429 S * 12/1966 Eckelman D1/121
 3,416,931 A * 12/1968 Posegate A23B 4/0056
 426/249

3,677,167 A * 7/1972 Berg A23B 4/064
 53/111 RC
 4,196,809 A * 4/1980 Tonrey B65D 77/2064
 206/459.5
 4,215,104 A 7/1980 Ullman et al.
 4,348,949 A * 9/1982 Selleck A21B 3/13
 426/391
 D310,579 S * 9/1990 Ni D24/103
 D327,661 S * 7/1992 Cowan D11/19
 D375,181 S 11/1996 Tournay et al.
 5,755,177 A 5/1998 Michehl
 5,958,487 A * 9/1999 Emberger A23B 4/064
 426/129
 D428,232 S 7/2000 Thornberg
 D522,711 S 6/2006 Nakata
 D522,712 S 6/2006 Nakata
 D522,713 S 6/2006 Nakata
 D556,426 S 12/2007 Slessor et al.
 D586,076 S 2/2009 Scavino
 7,685,967 B2 3/2010 Hoogland
 D632,027 S 2/2011 Johnston et al.
 D637,732 S * 5/2011 Galano D24/225
 D650,146 S * 12/2011 Cheung D1/102
 D658,347 S 5/2012 Gottardi B. Maia
 D682,466 S * 5/2013 Cantelmo D28/4
 D715,019 S 10/2014 Rosenberg
 D742,616 S 11/2015 Enoch et al.
 D744,192 S 12/2015 Cole et al.
 D772,525 S 11/2016 Enoch et al.
 D784,651 S * 4/2017 Loacker D1/121
 2009/0297569 A1 * 12/2009 Hurwitz A61K 8/02
 424/401
 2012/0174867 A1 7/2012 Campbell

OTHER PUBLICATIONS

Yasin, Mahathir Mohd. "Toblerone." Shutterstock. Apr. 22, 2015. Web. Sep. 6, 2018. <<http://www.shutterstock.com/image-photo/kuala-lumpur-malaysia-april-22nd-2015-271707743>>.*
 Jobs, Chris. "Tootsie Roll." Alamo. May 15, 2017. Web. Sep. 6, 2018. <<https://www.alamy.com/stock-photo-tootsie-roll-141107102.html>>.*
 "Bollards." Barling's Woodworks. Jan. 25, 2014. Web. Sep. 6, 2018. <<http://web.archive.org/web/20140125065110/http://www.barlings.com.au/Bollards/bollards.html>>.*
 "Snap-Lock Beads." JustDisney.com. Apr. 16, 2016. Web. Sep. 6, 2018. <https://www.justdisney.com/store/Vintage-Walt-Disney-Productions-Illco-Pre-school-Toys-19-Snap-lock-Beads-_152537165039.html>.*
 Ridley USA Inc. "Poultry Feed Block" Design U.S. Appl. No. 29/606,888, filed Jun. 8, 2017.

* cited by examiner

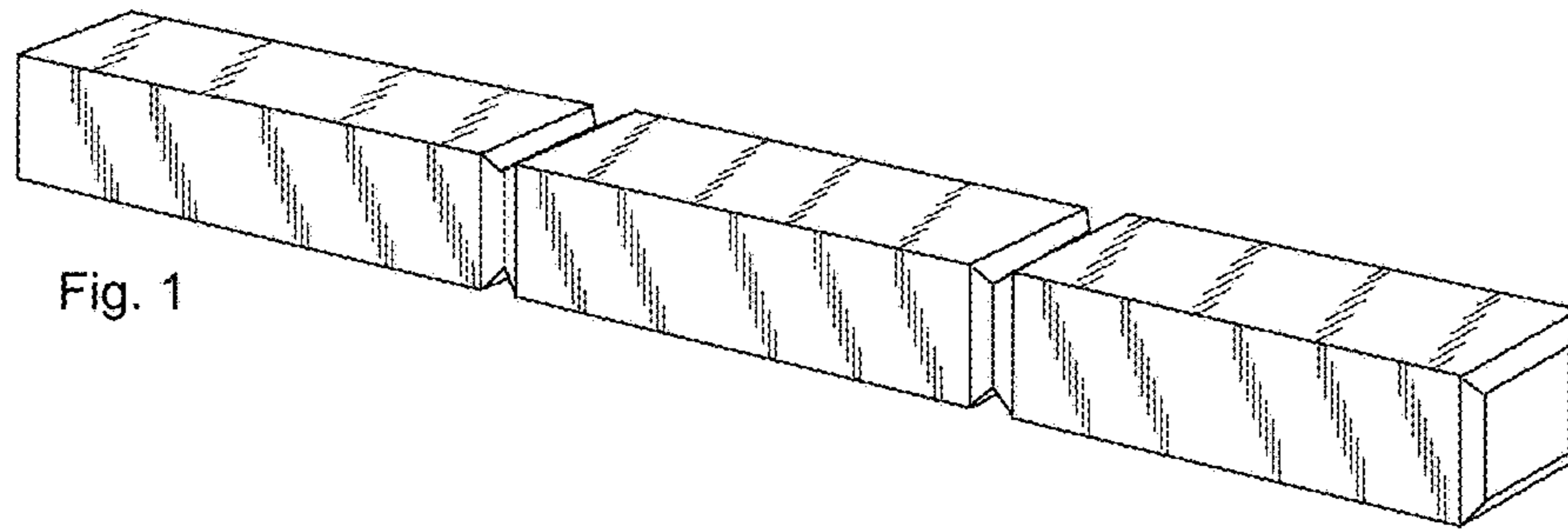


Fig. 1

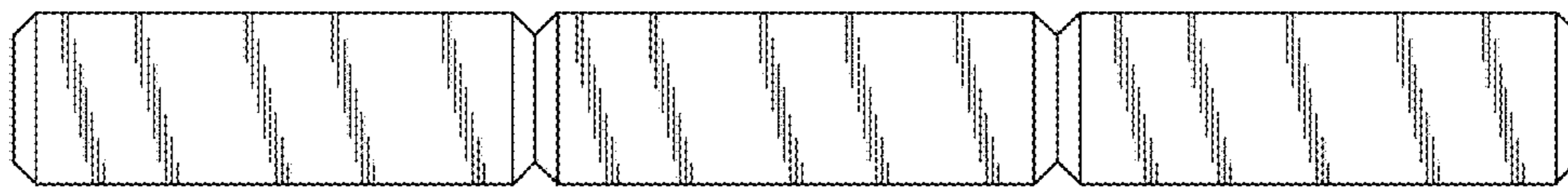


Fig. 2

Fig. 3

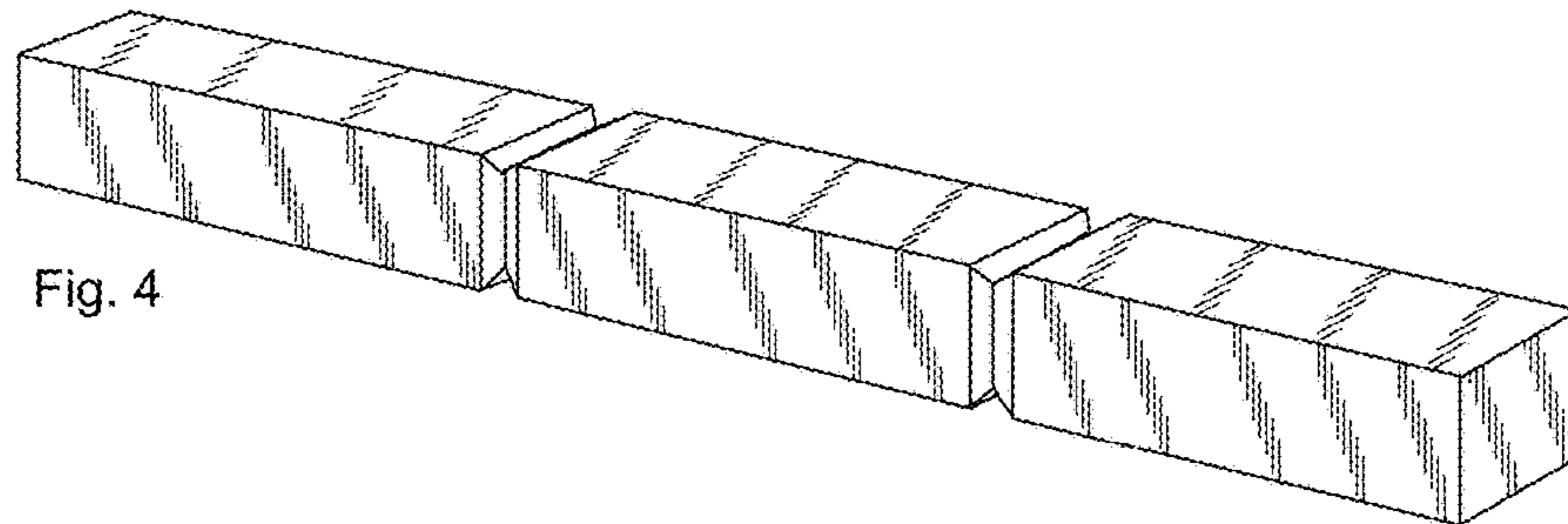
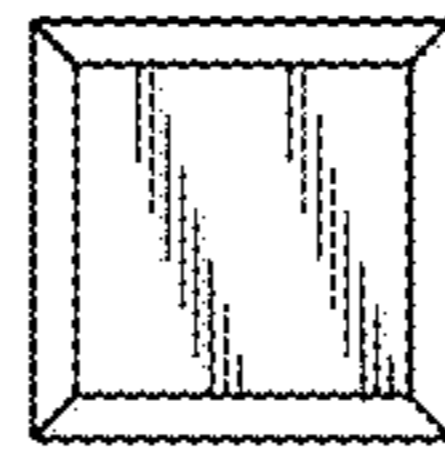


Fig. 4

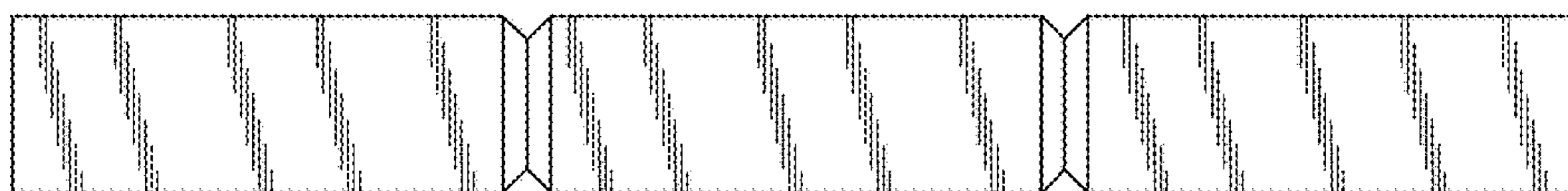
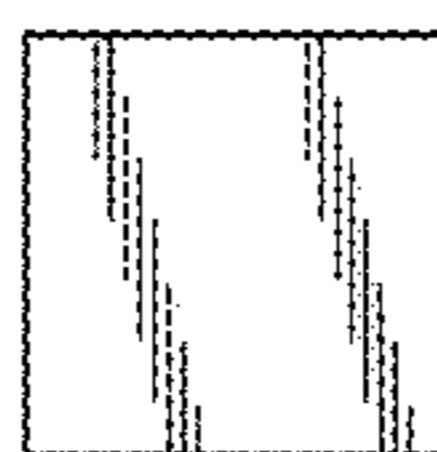


Fig. 5

Fig. 6



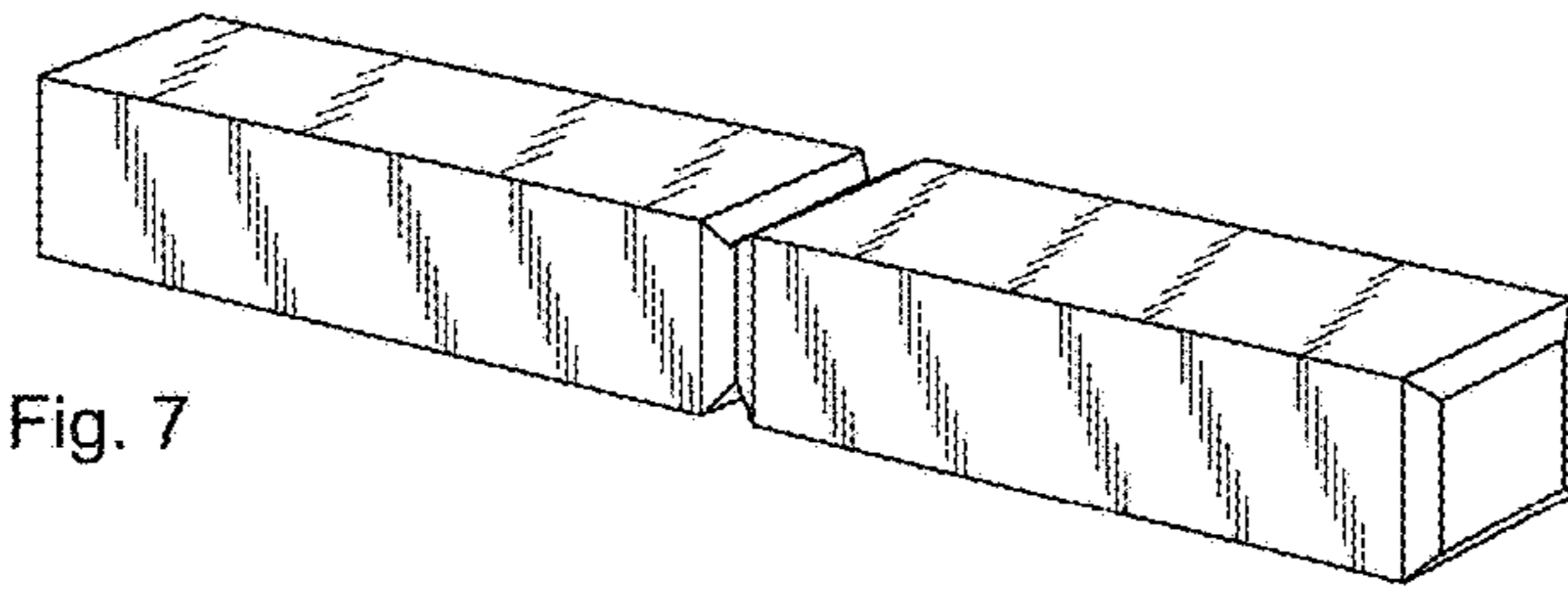


Fig. 7

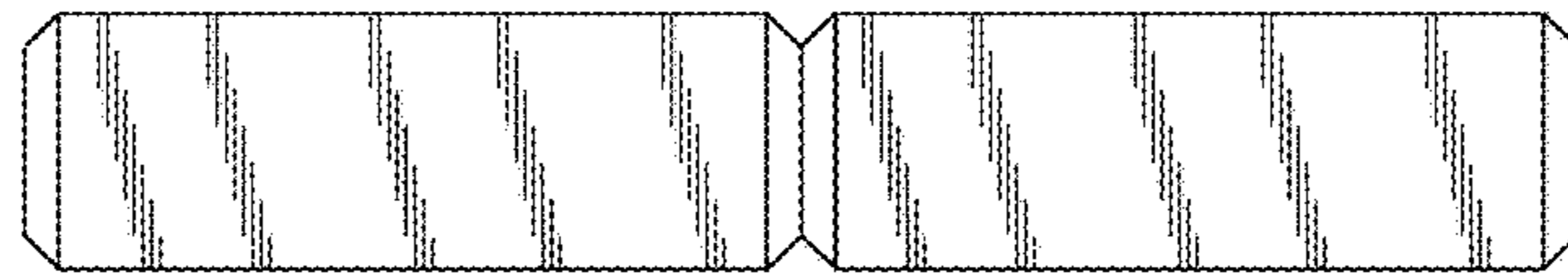


Fig. 8

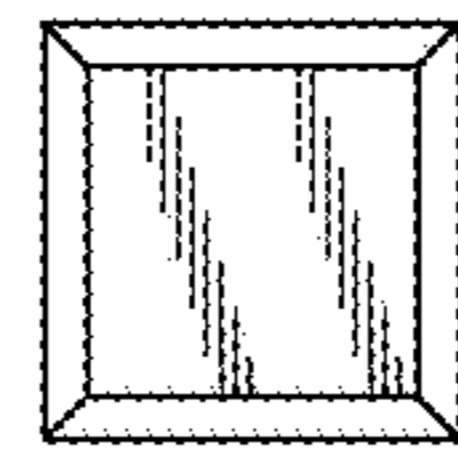


Fig. 9

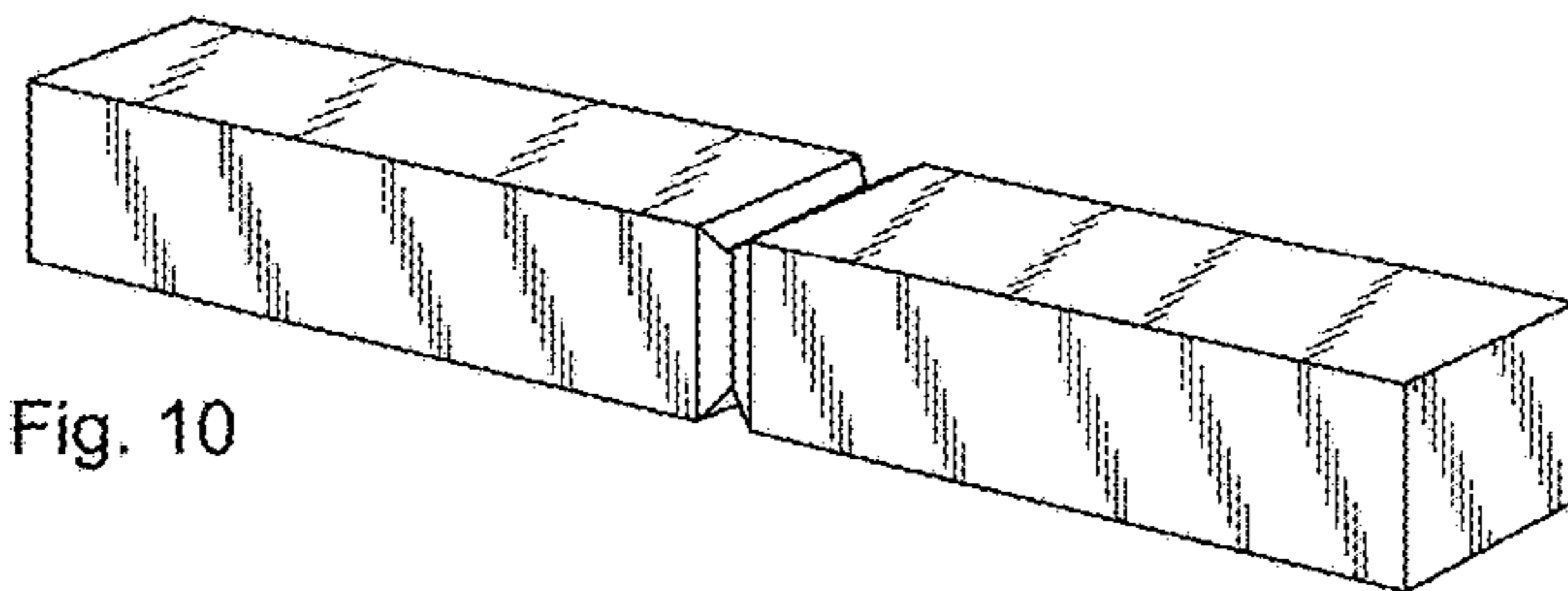


Fig. 10

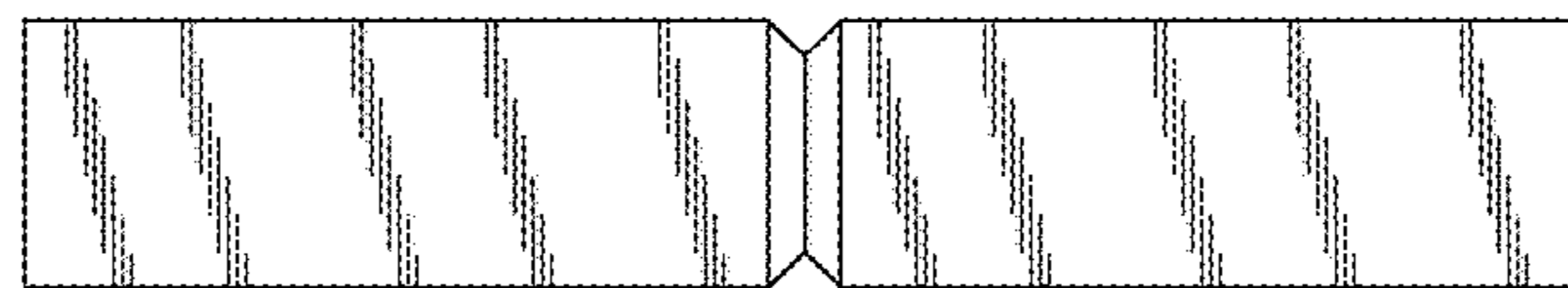


Fig. 11

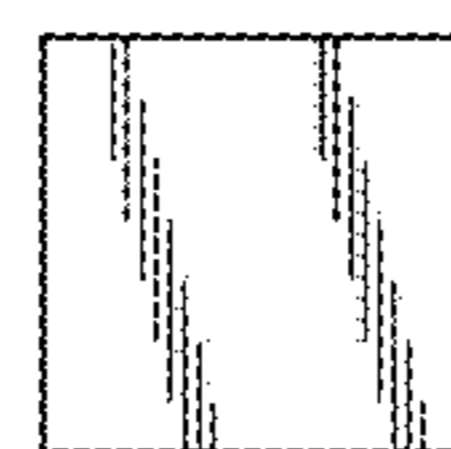


Fig. 12

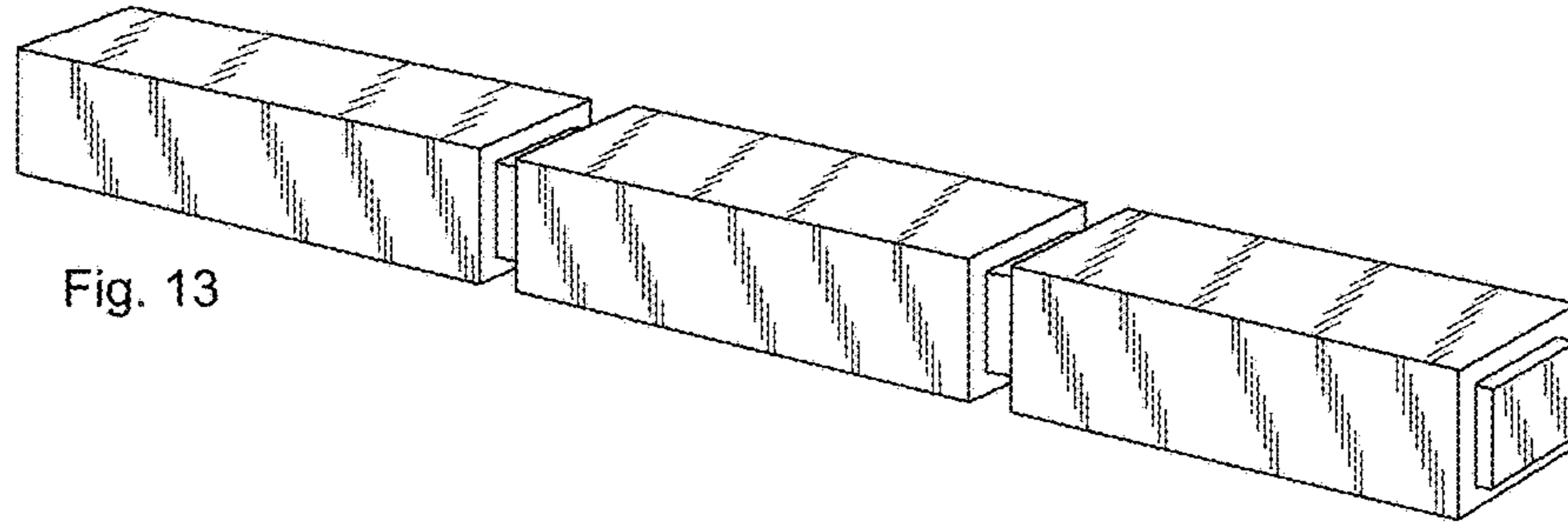


Fig. 13

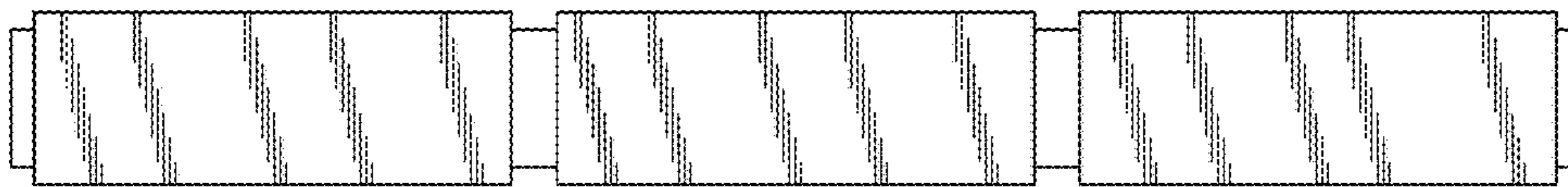


Fig. 14

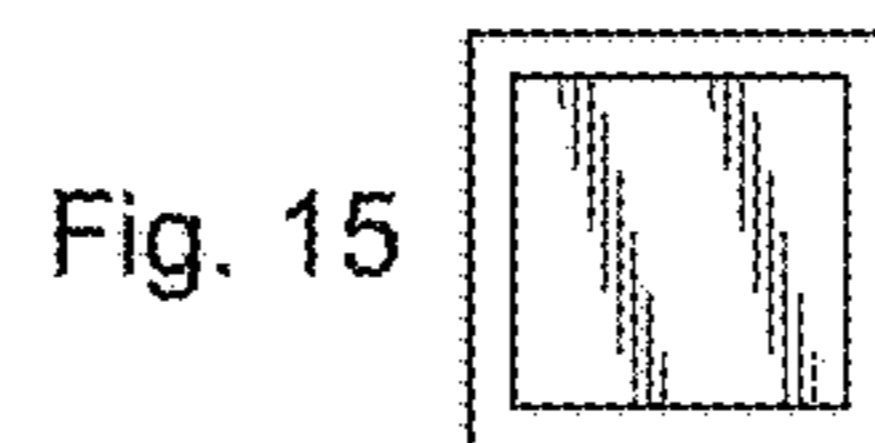


Fig. 15

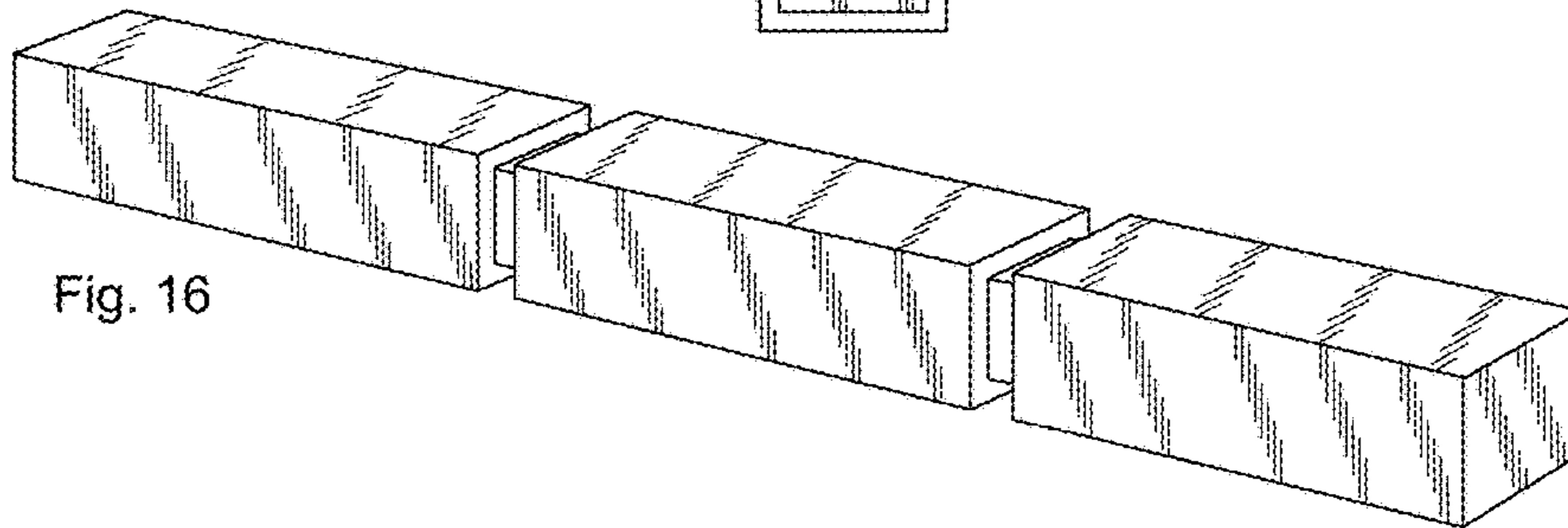


Fig. 16



Fig. 17

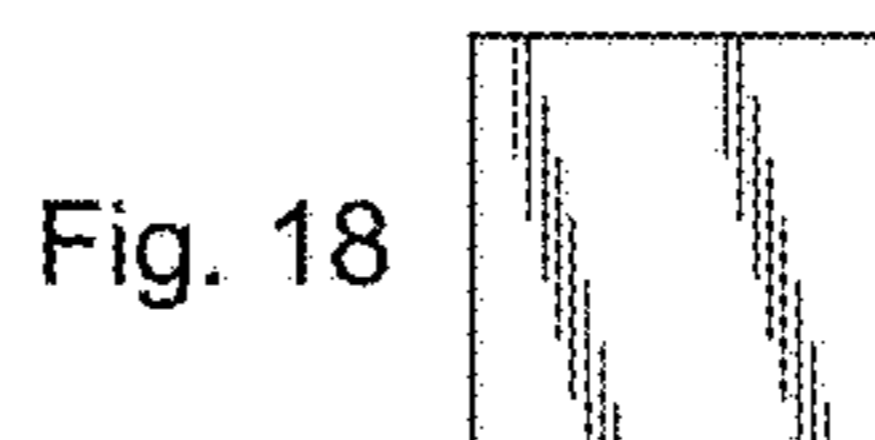
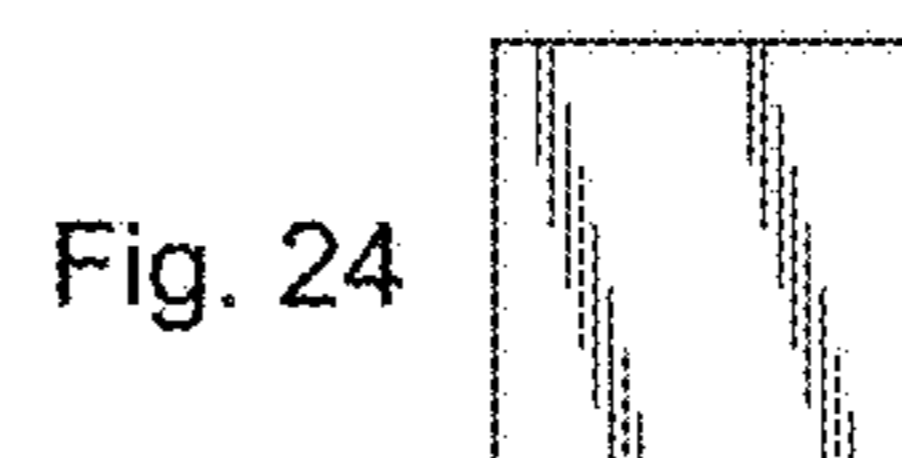
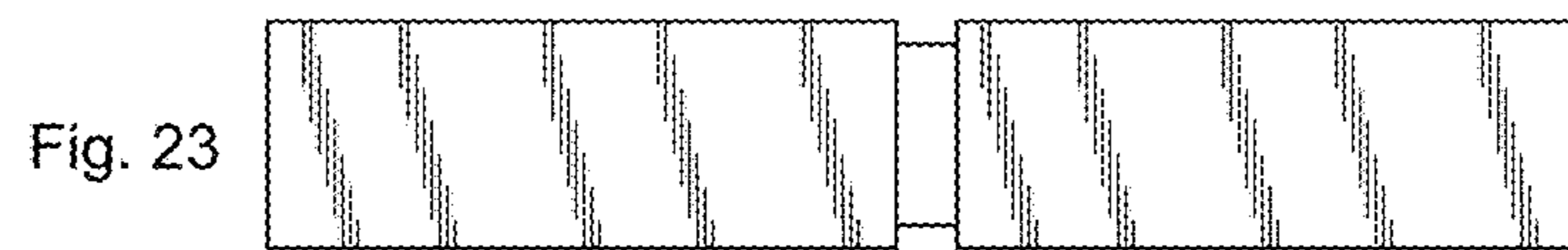
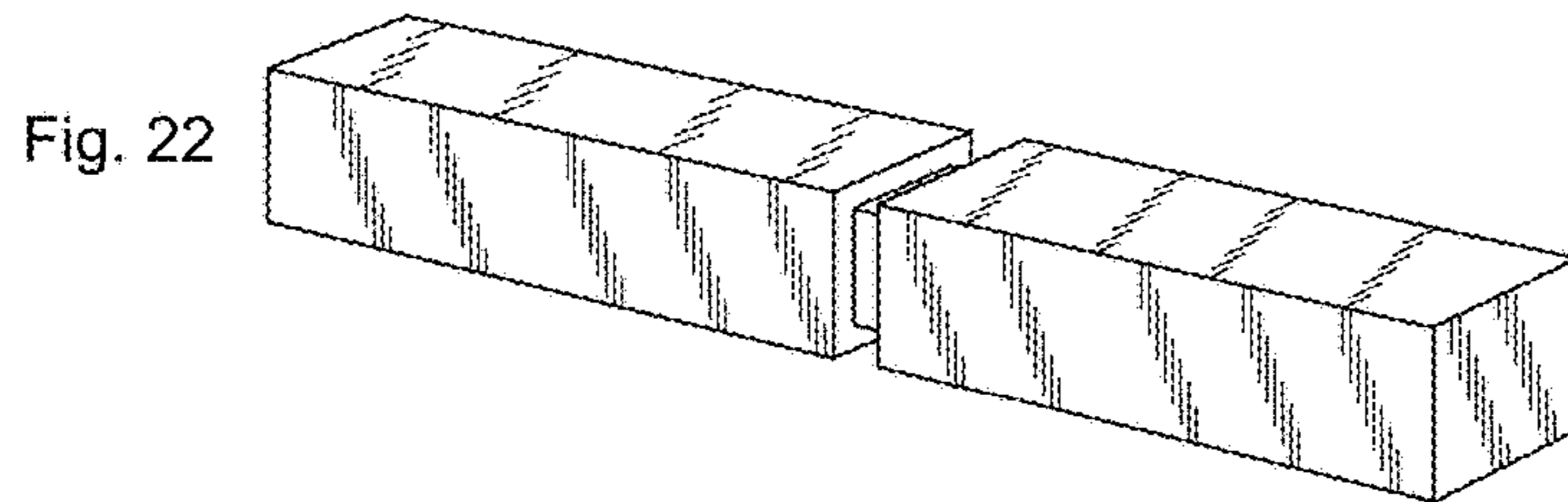
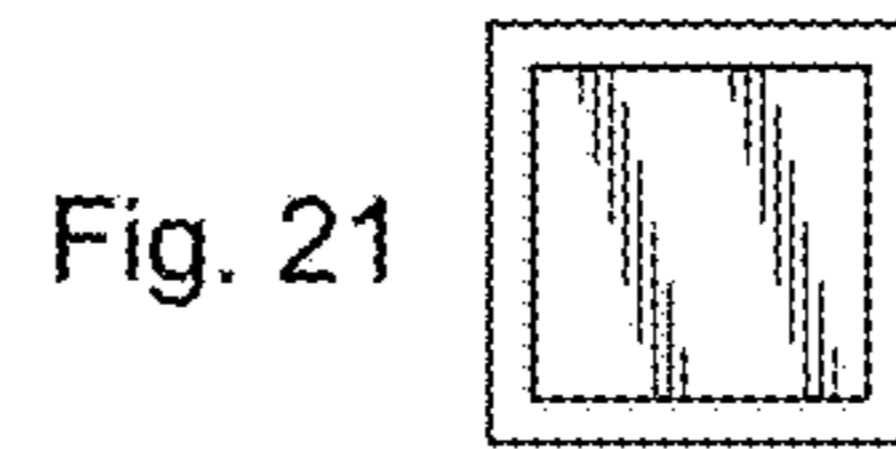
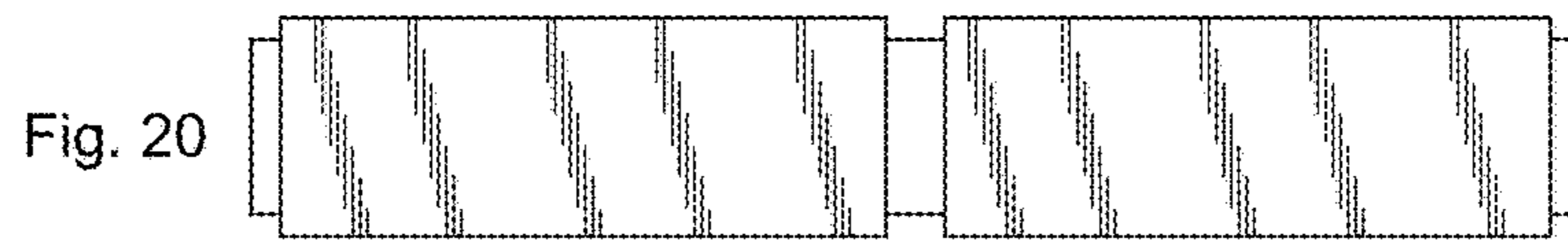
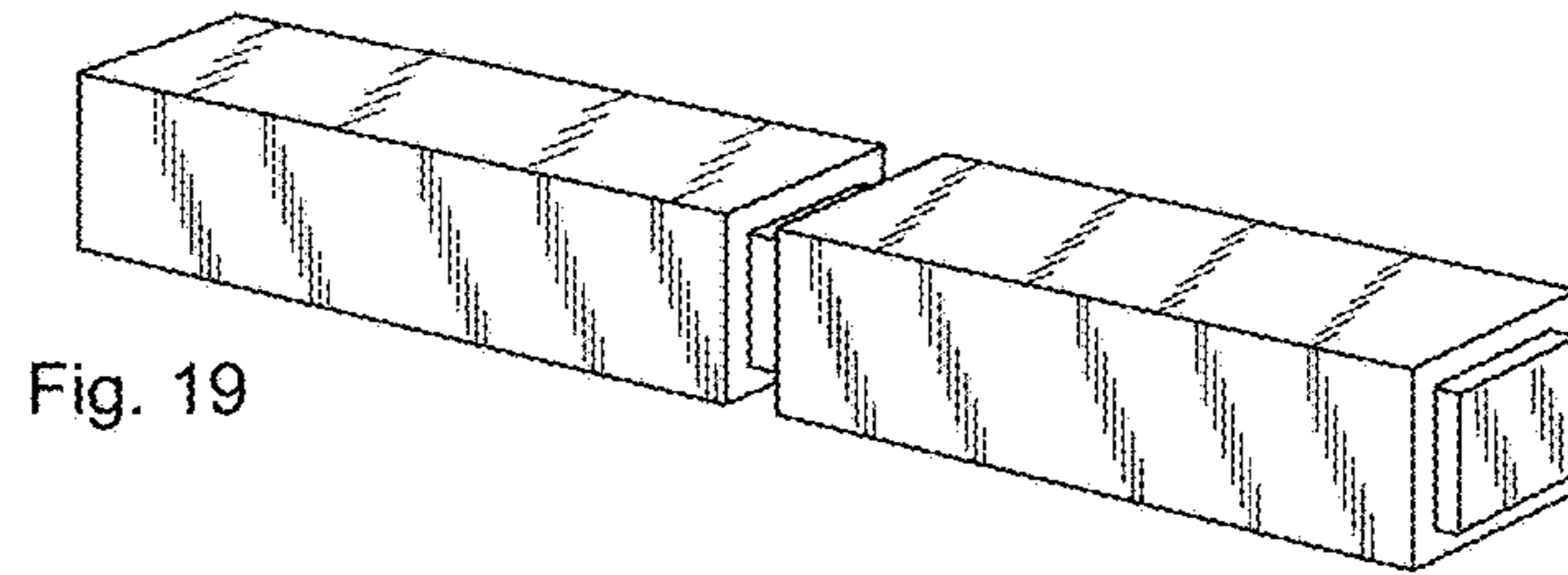


Fig. 18



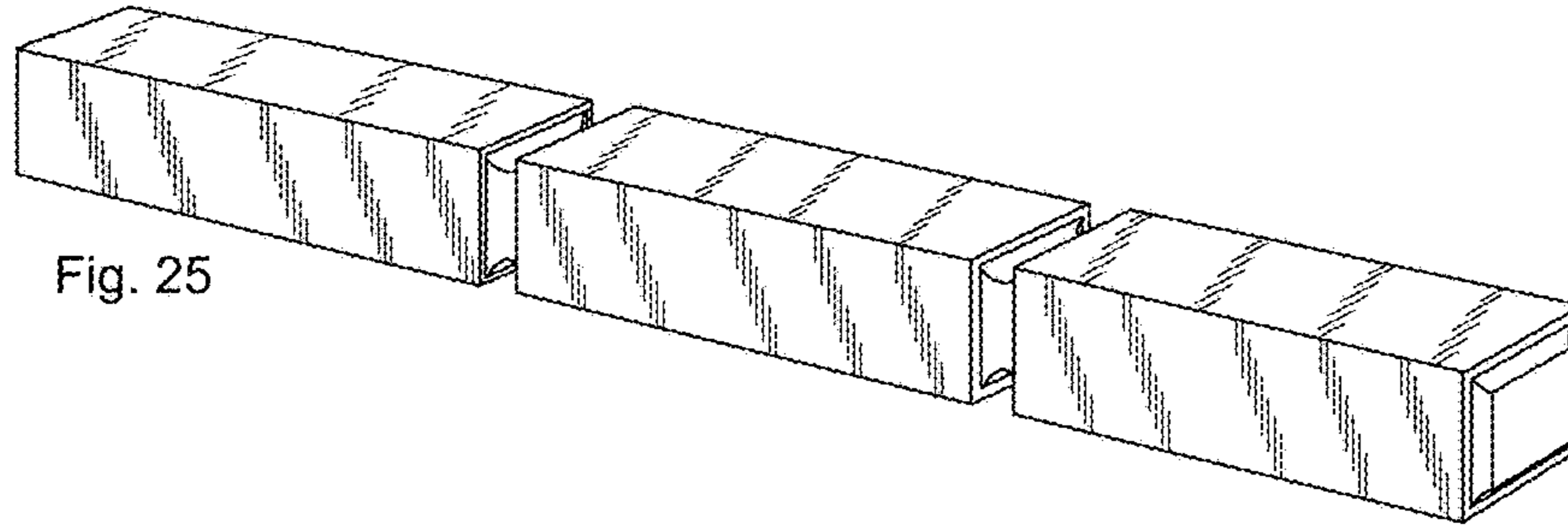


Fig. 25

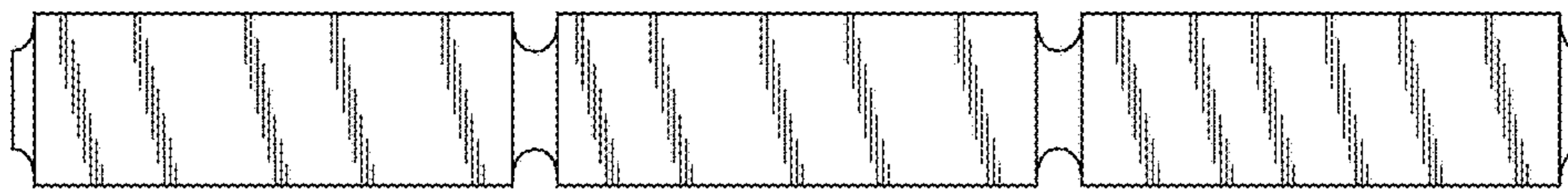


Fig. 26

Fig. 27

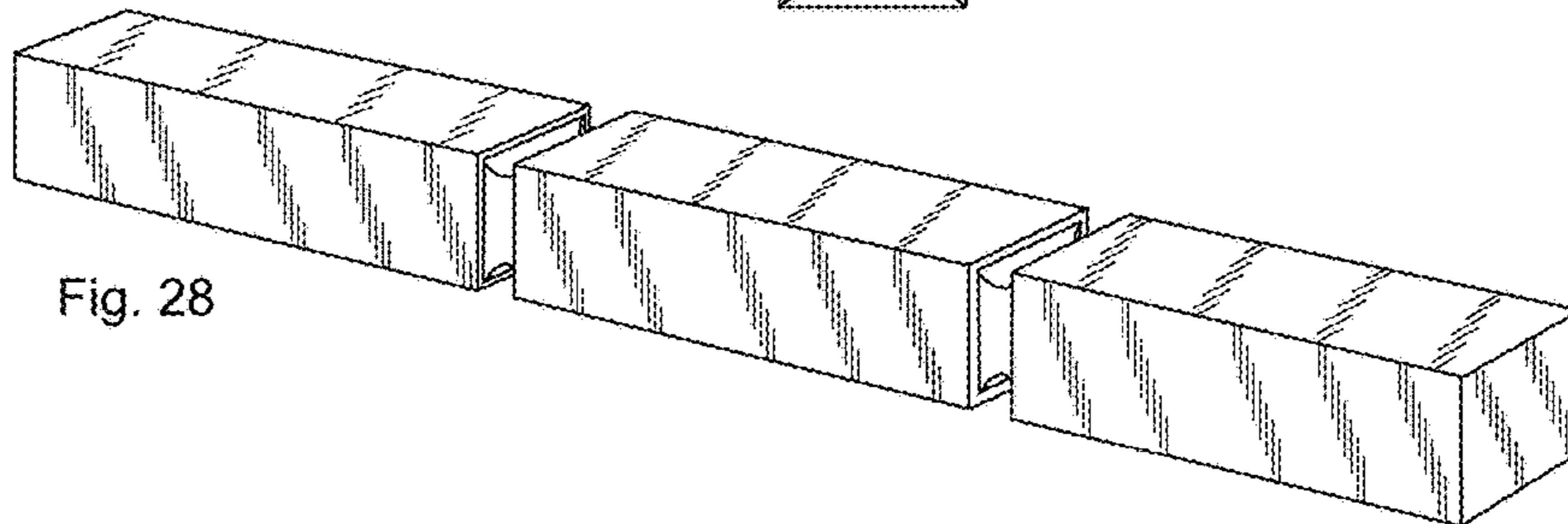
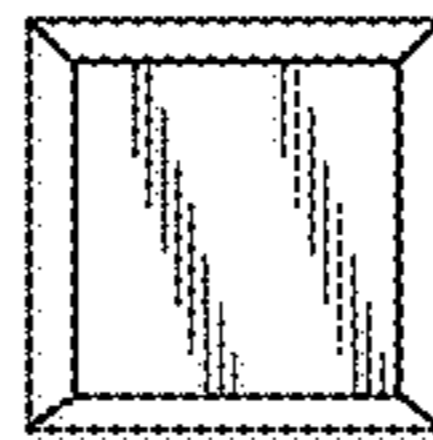


Fig. 28

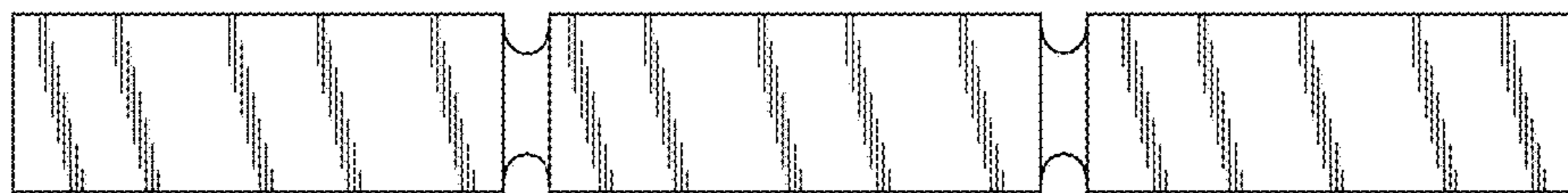
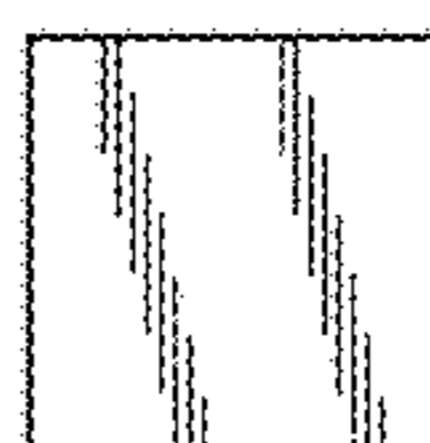


Fig. 29

Fig. 30



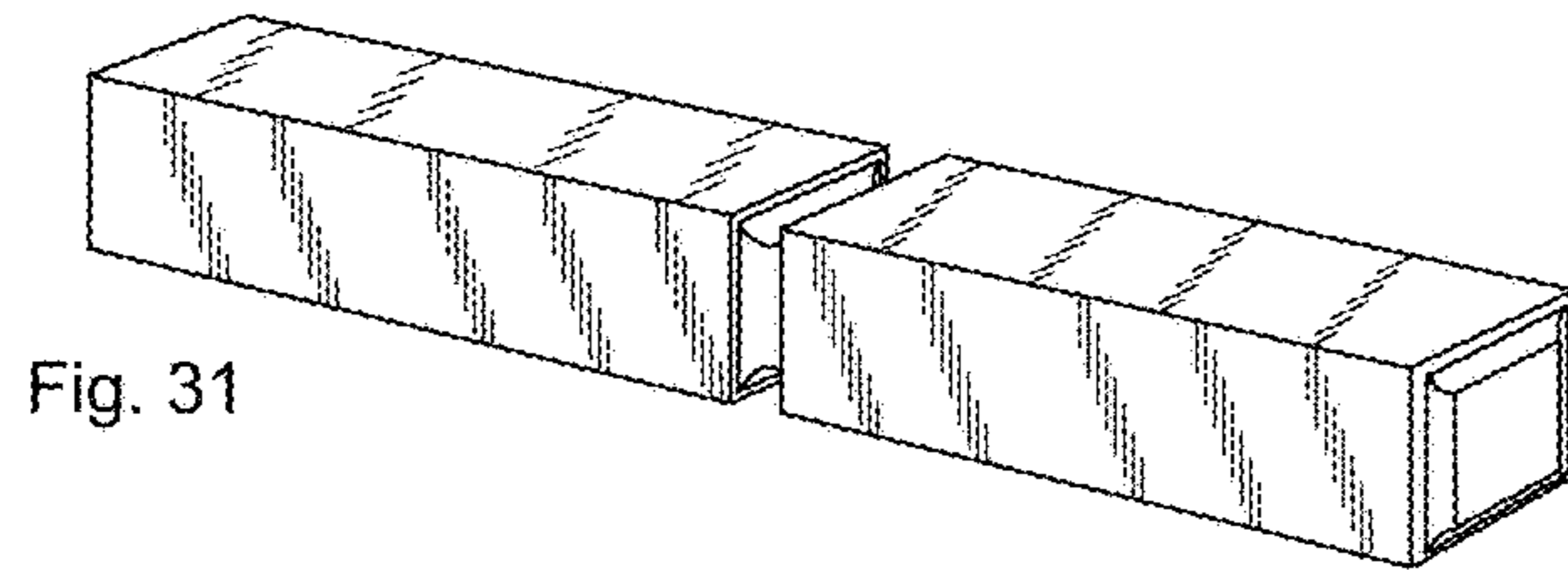


Fig. 31

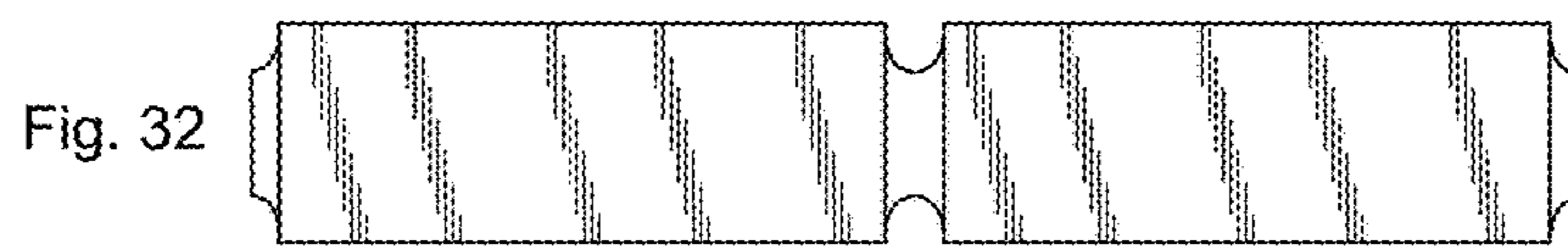


Fig. 32

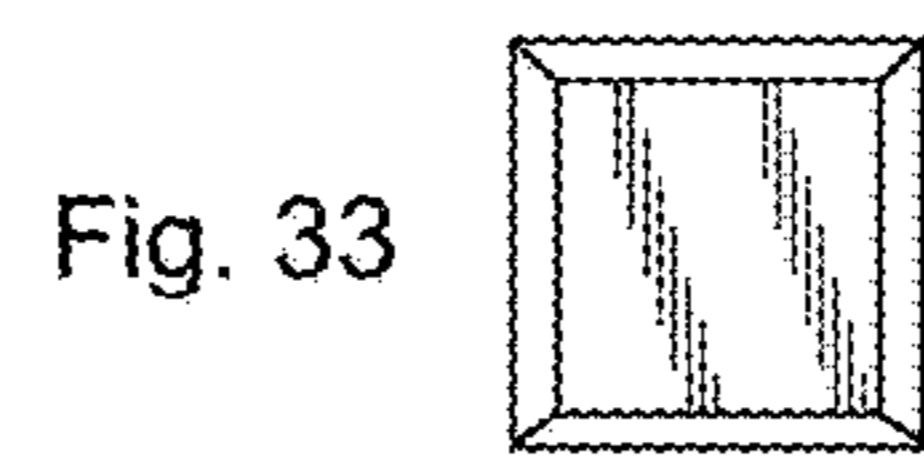


Fig. 33

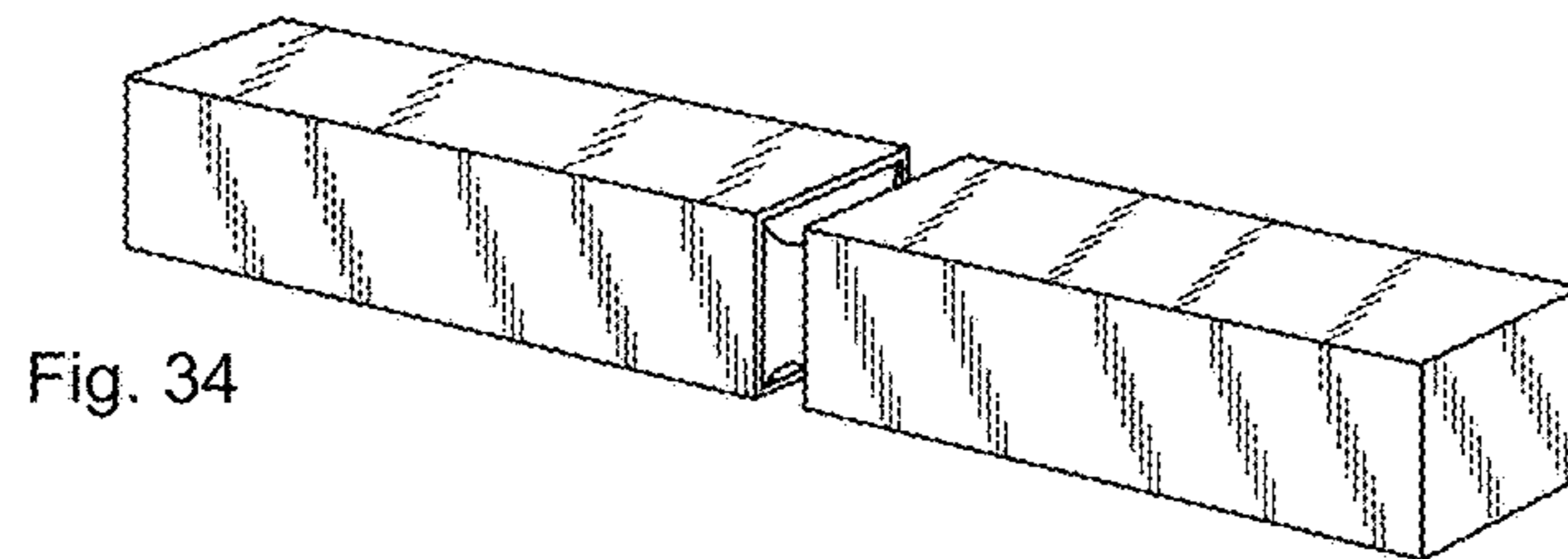


Fig. 34

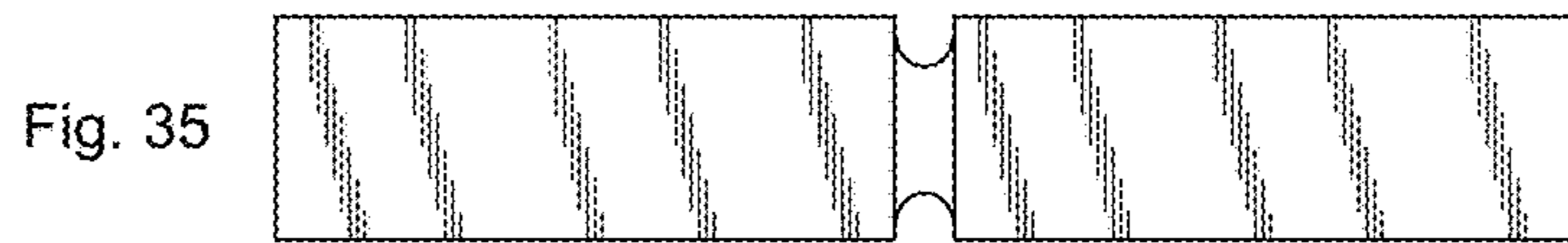


Fig. 35

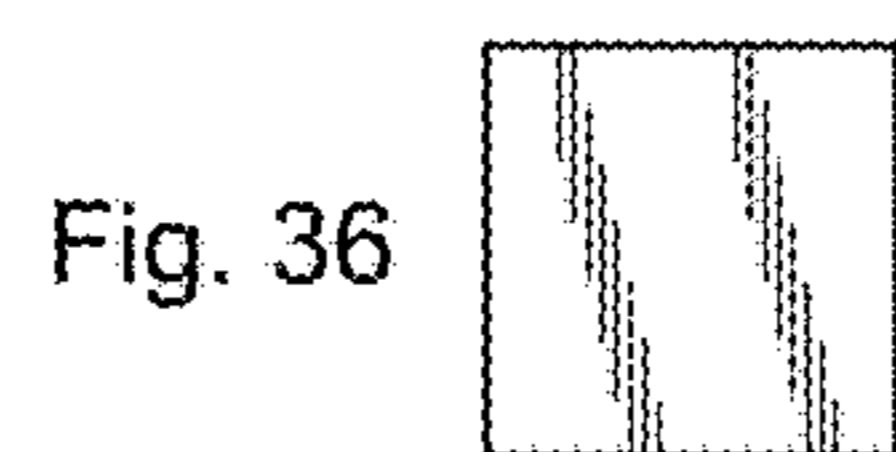


Fig. 36