



US00D836879S

(12) **United States Design Patent** (10) **Patent No.:** **US D836,879 S**
Singh (45) **Date of Patent:** **** Dec. 25, 2018**

(54) **MEMORIAL BLOCK WITH A BASE**
(71) Applicant: **Noddy Singh**, Hicksville, NY (US)
(72) Inventor: **Noddy Singh**, Hicksville, NY (US)
(**) Term: **15 Years**
(21) Appl. No.: **29/586,325**
(22) Filed: **Dec. 2, 2016**
(51) **LOC (11) Cl.** **25-03**
(52) **U.S. Cl.**
USPC **D99/17**
(58) **Field of Classification Search**
USPC D99/5, 23, 27, 28, 17; 27/1; 63/1.14;
47/41.12; 52/103, 104; D6/661.12, 314;
312/140.3, 140.4; D30/101; D19/113;
D11/157, 131; 446/166; 40/409, 410;
D21/398
CPC A61G 17/08; A61G 17/00
See application file for complete search history.

3,270,525 A * 9/1966 Sellers A44C 15/002
222/541.2
D213,150 S * 1/1969 McBain D6/661.3
3,610,510 A * 10/1971 Lowry B65D 1/34
206/457
D223,505 S * 4/1972 Ott D26/104
3,732,602 A * 5/1973 Vigh A61G 17/08
27/1
4,196,899 A * 4/1980 Patterson G09F 13/24
273/161
D256,174 S * 7/1980 Buttura, Sr. D99/17
D260,623 S * 9/1981 Gorski D11/157
D269,359 S * 6/1983 Itakura D21/311
D284,842 S * 7/1986 McEvoy D11/102
D289,355 S * 4/1987 Paulides D11/145
4,765,623 A * 8/1988 Cardillo A63F 9/181
273/138.2
D297,824 S * 9/1988 Schiraldi D11/157
5,006,375 A * 4/1991 Mangan A44C 25/00
40/406

(Continued)

Primary Examiner — Paula Allen Greene
(74) *Attorney, Agent, or Firm* — Scully, Scott, Murphy & Presser, P.C.

(56) **References Cited**

U.S. PATENT DOCUMENTS

D84,515 S * 6/1931 Carder D11/131
D90,335 S * 7/1933 Ostling et al. D6/304
D133,707 S * 9/1942 Ballard 312/7.1
D167,343 S * 7/1952 Fosler et al. D11/131
2,604,254 A * 7/1952 Rosenfield B65D 5/32
229/116.2
2,608,779 A * 9/1952 Joy F21S 10/00
362/809
2,709,217 A * 5/1955 McCluskey F21V 31/00
362/101
2,780,017 A * 2/1957 Paige G09F 5/00
248/174
3,119,563 A * 1/1964 Ruffiman A44C 15/0015
362/200
3,168,315 A * 2/1965 Bookman A63F 9/0406
273/145 C

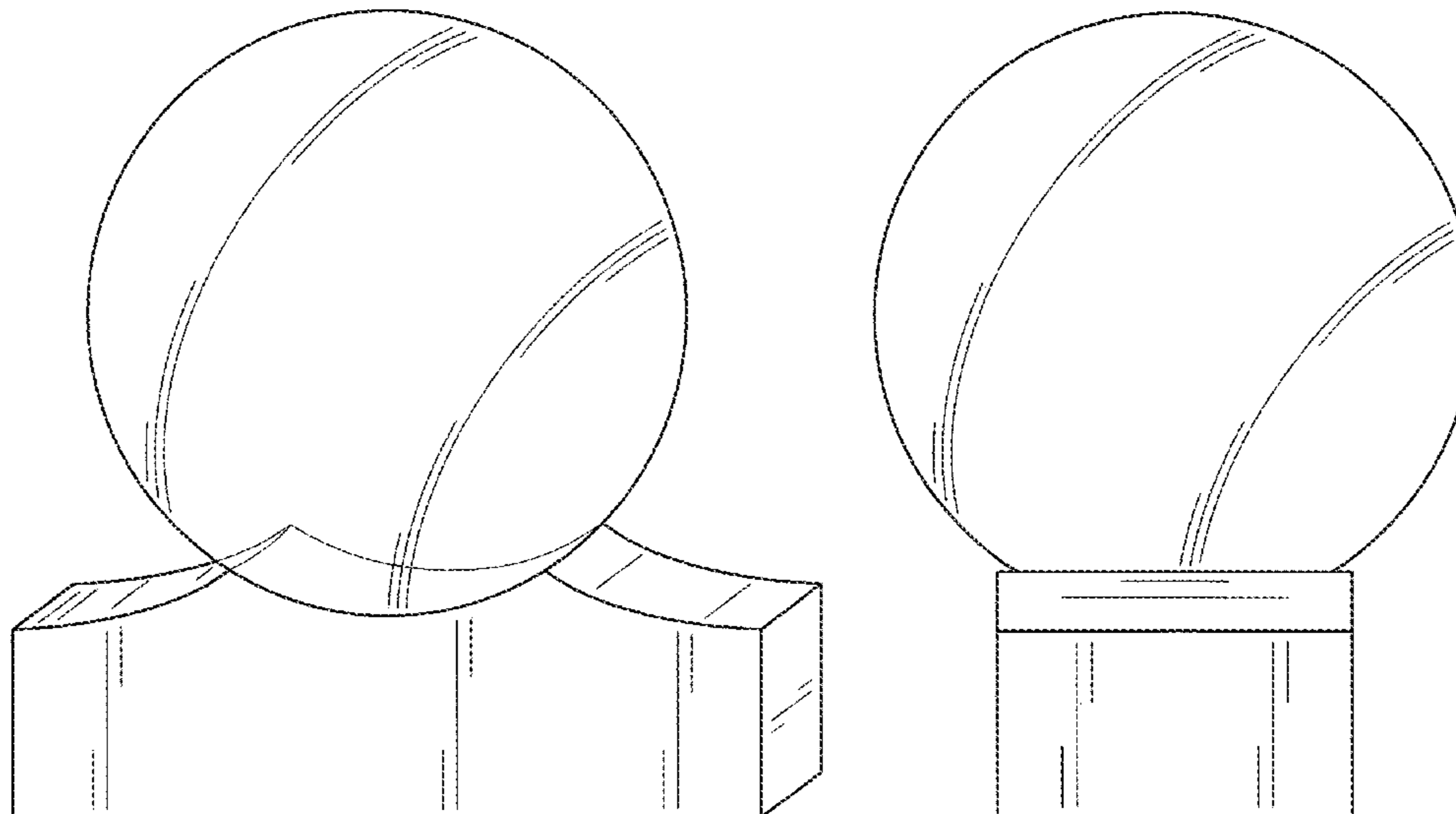
(57) **CLAIM**

The ornamental design for a memorial block with a base, as shown and described.

DESCRIPTION

FIG. 1 is a perspective view of a memorial block with a base showing my new design;
FIG. 2 is a front view thereof;
FIG. 3 is a rear side view thereof;
FIG. 4 is a left side view thereof;
FIG. 5 is a right side view thereof;
FIG. 6 is a top plan view thereof; and,
FIG. 7 is a bottom view thereof.
The portions indicated in broken lines are for illustrative purposes only and form no part of the claimed design.

1 Claim, 7 Drawing Sheets



(56)

References Cited

U.S. PATENT DOCUMENTS

D318,252 S * 7/1991 Bakter D11/131
 D354,908 S * 1/1995 Barre D9/548
 5,390,510 A * 2/1995 Tirio-Cloonan A44C 15/002
 132/294
 5,456,031 A * 10/1995 Hou G09F 19/02
 40/410
 D375,411 S * 11/1996 Hawkins D20/10
 D392,422 S * 3/1998 Dinand D28/80
 D393,016 S * 3/1998 Young D11/131
 D404,912 S * 2/1999 Addi D3/232
 D407,854 S * 4/1999 DeGaetano D28/80
 D408,850 S * 4/1999 Close D19/1
 D437,670 S * 2/2001 Rivera D99/5
 D457,096 S * 5/2002 Rosner D11/125
 D470,991 S * 2/2003 Goldstein D99/5
 D523,757 S * 6/2006 Garcia D9/418
 7,065,908 B1 * 6/2006 Pineda-Sanchez G09F 19/02
 40/406
 D622,024 S * 8/2010 School D99/5
 D671,295 S * 11/2012 Anthony D99/5
 D696,832 S * 12/2013 Khan D99/5
 D703,915 S * 4/2014 Irvine A61G 17/08
 D99/5
 D715,684 S * 10/2014 Letney D11/157
 9,186,013 B1 * 11/2015 Letney B44C 3/12
 2011/0283497 A1 * 11/2011 Elhaj A61G 17/08
 27/1

* cited by examiner

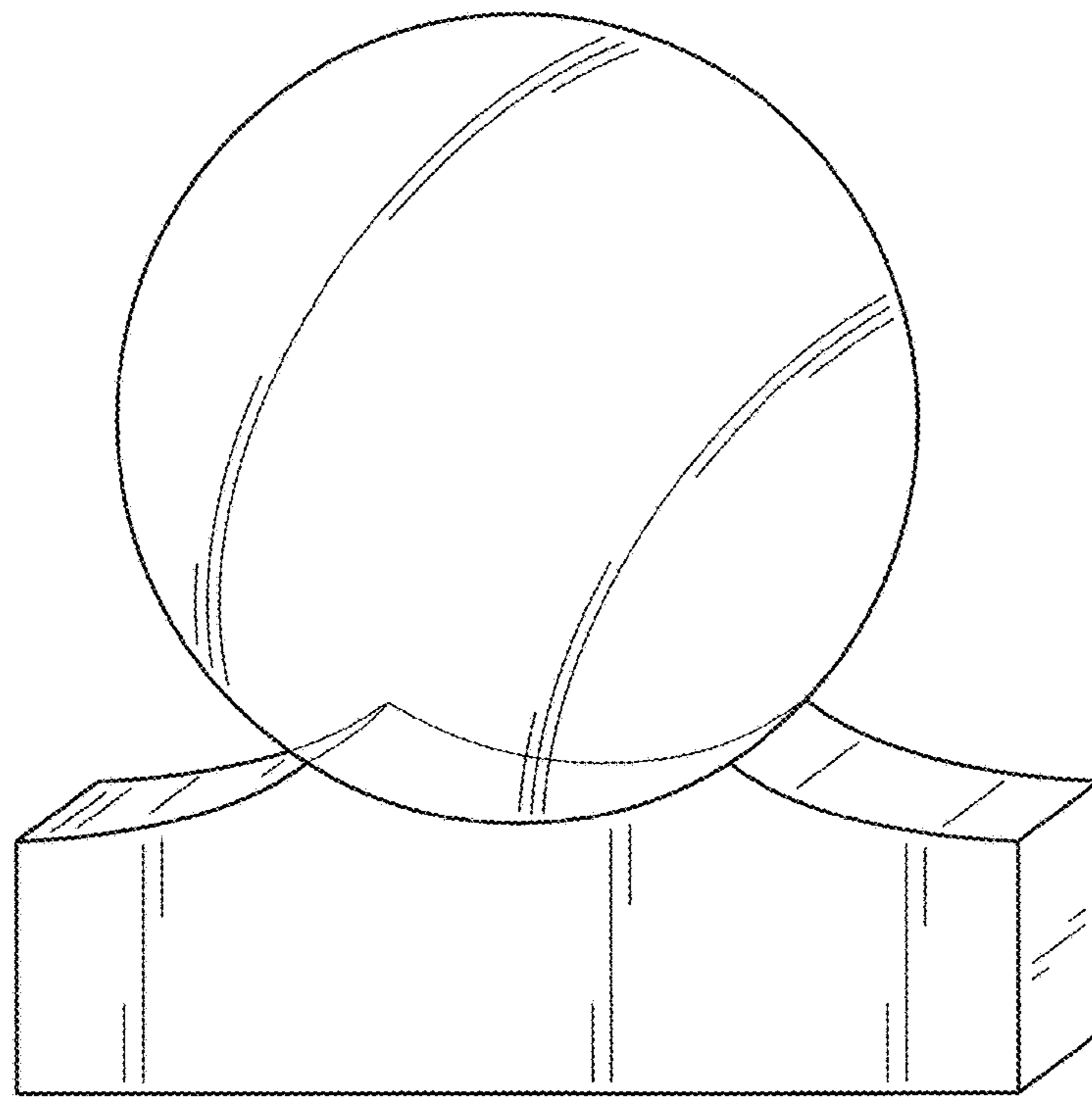


FIG. 1

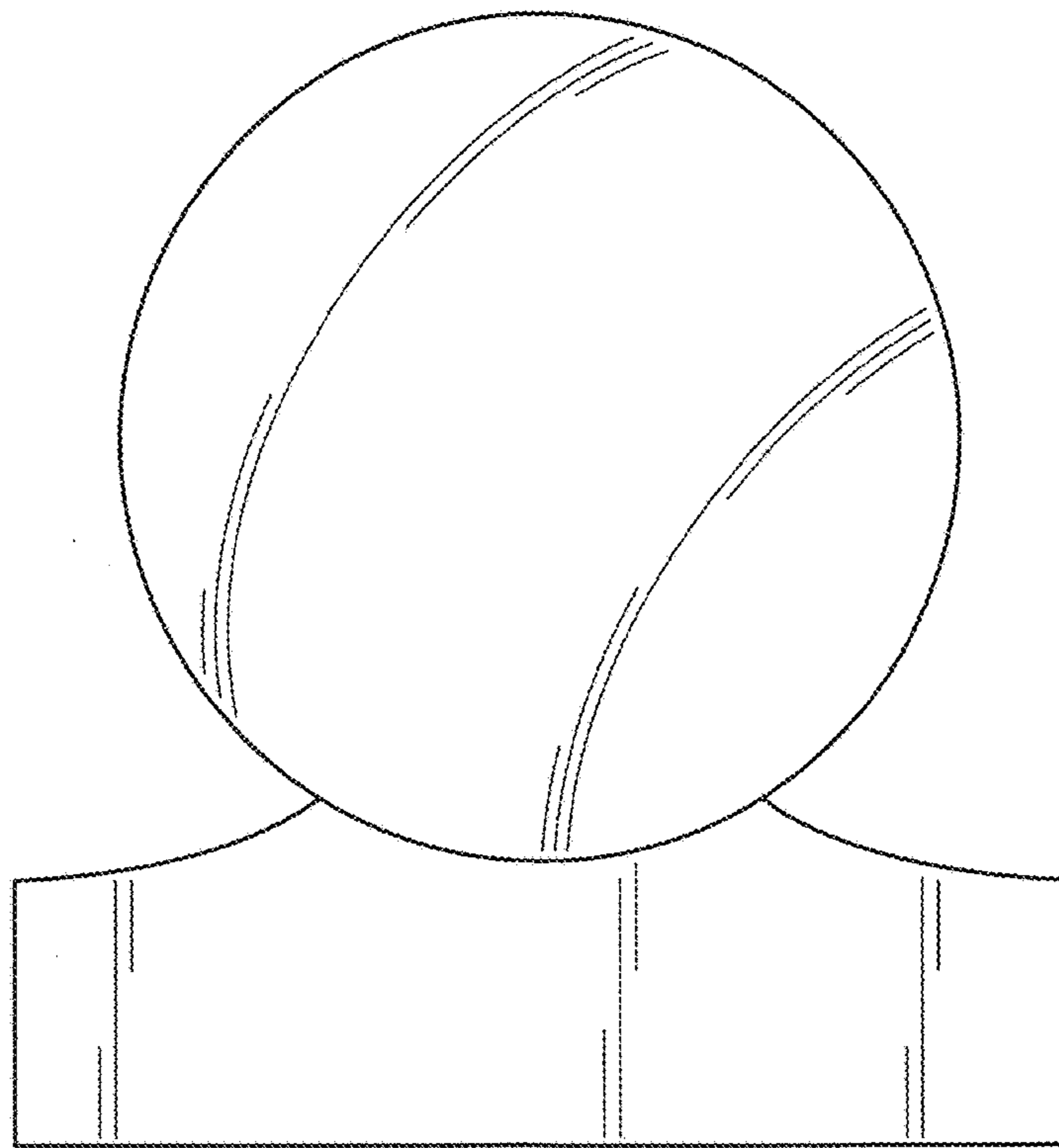


FIG. 2

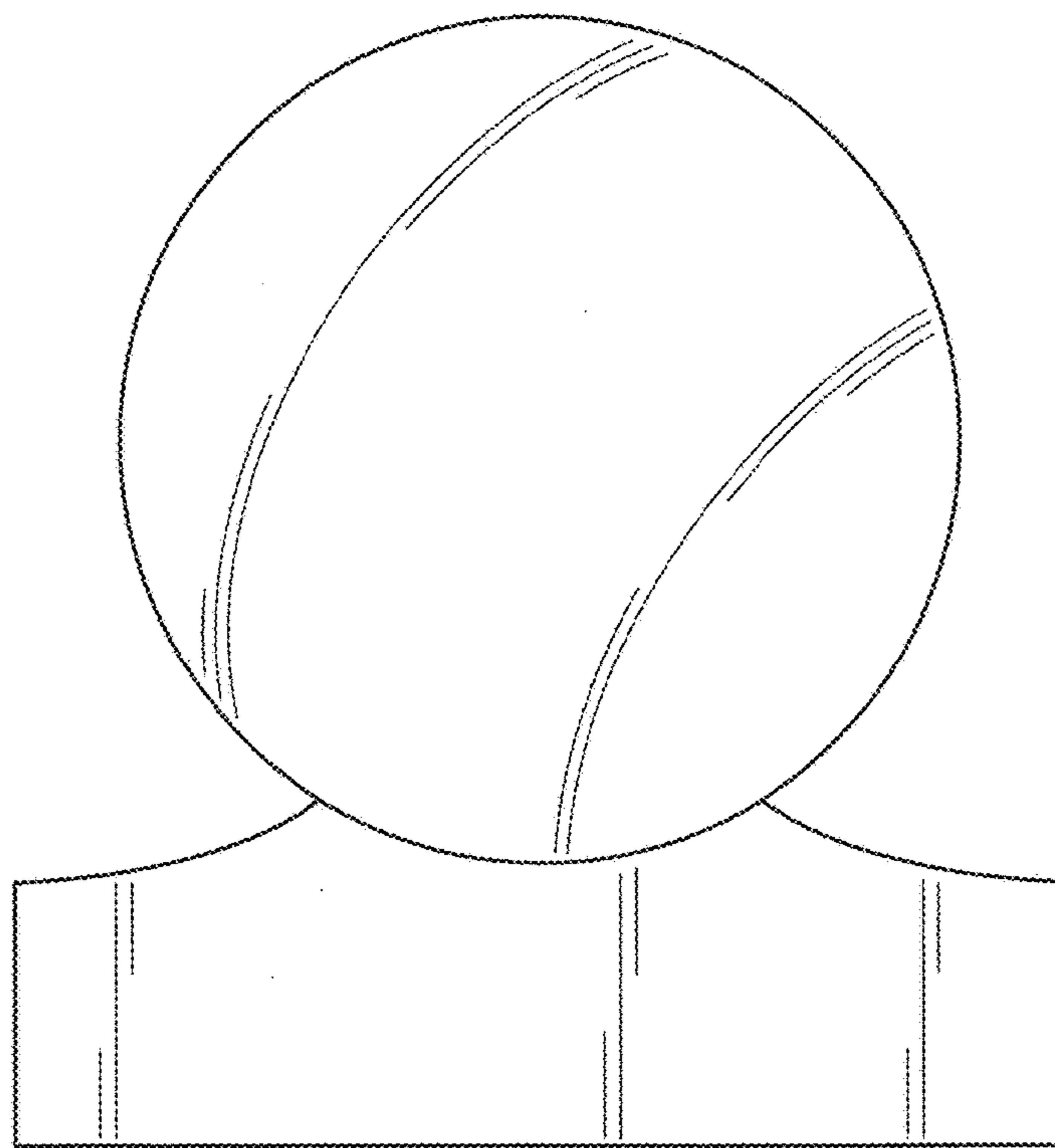


FIG. 3

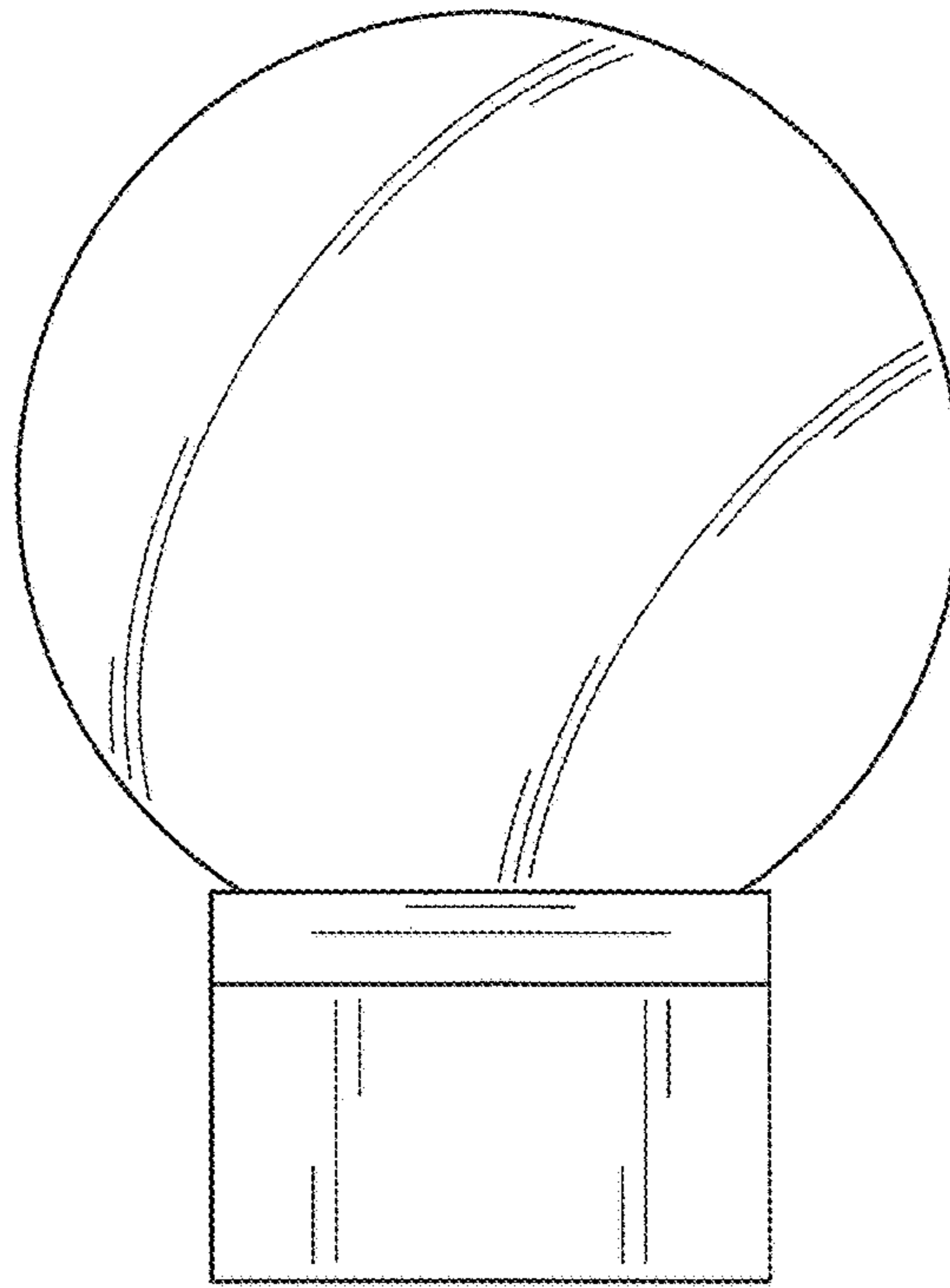


FIG. 4

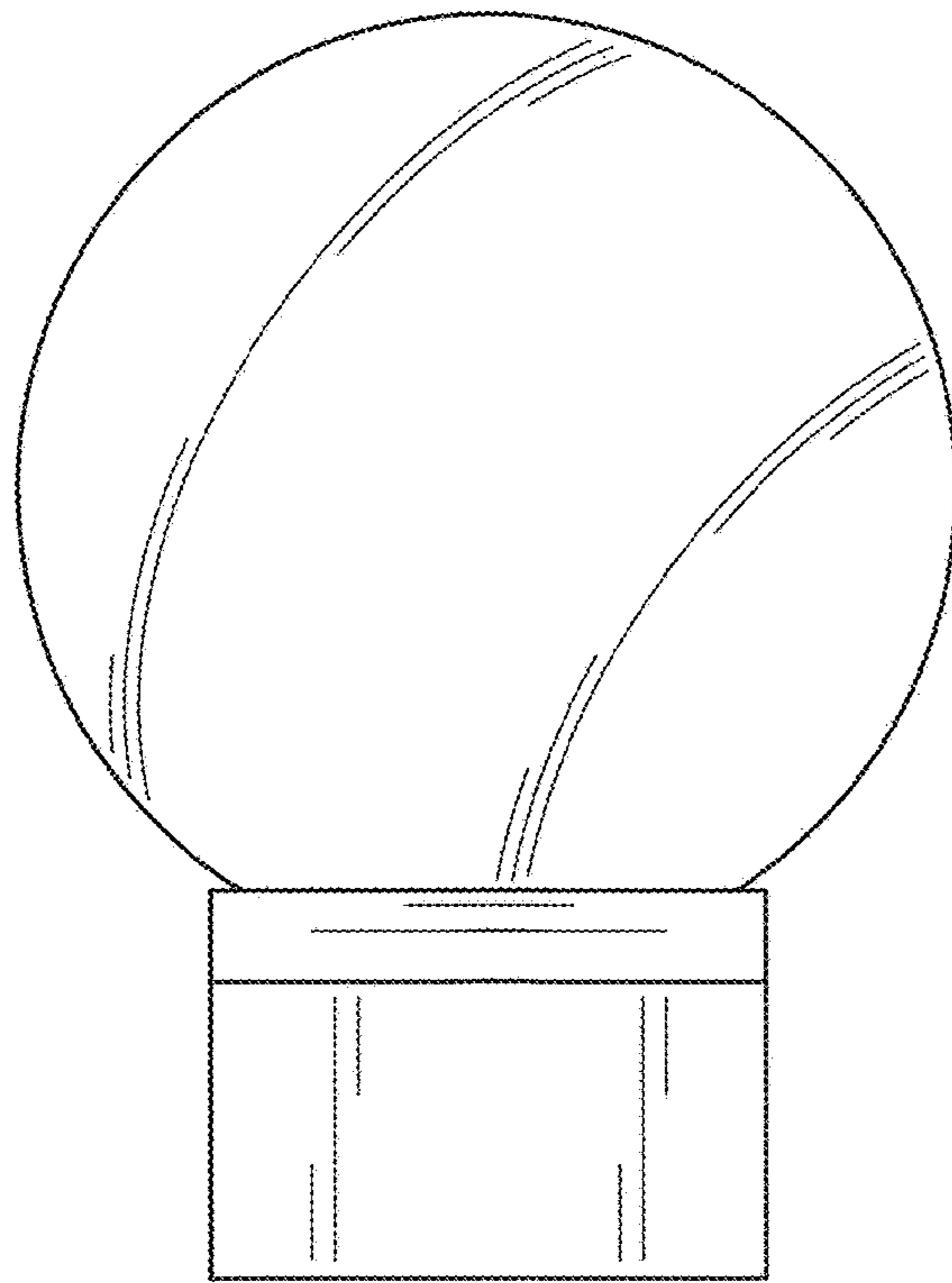


FIG. 5

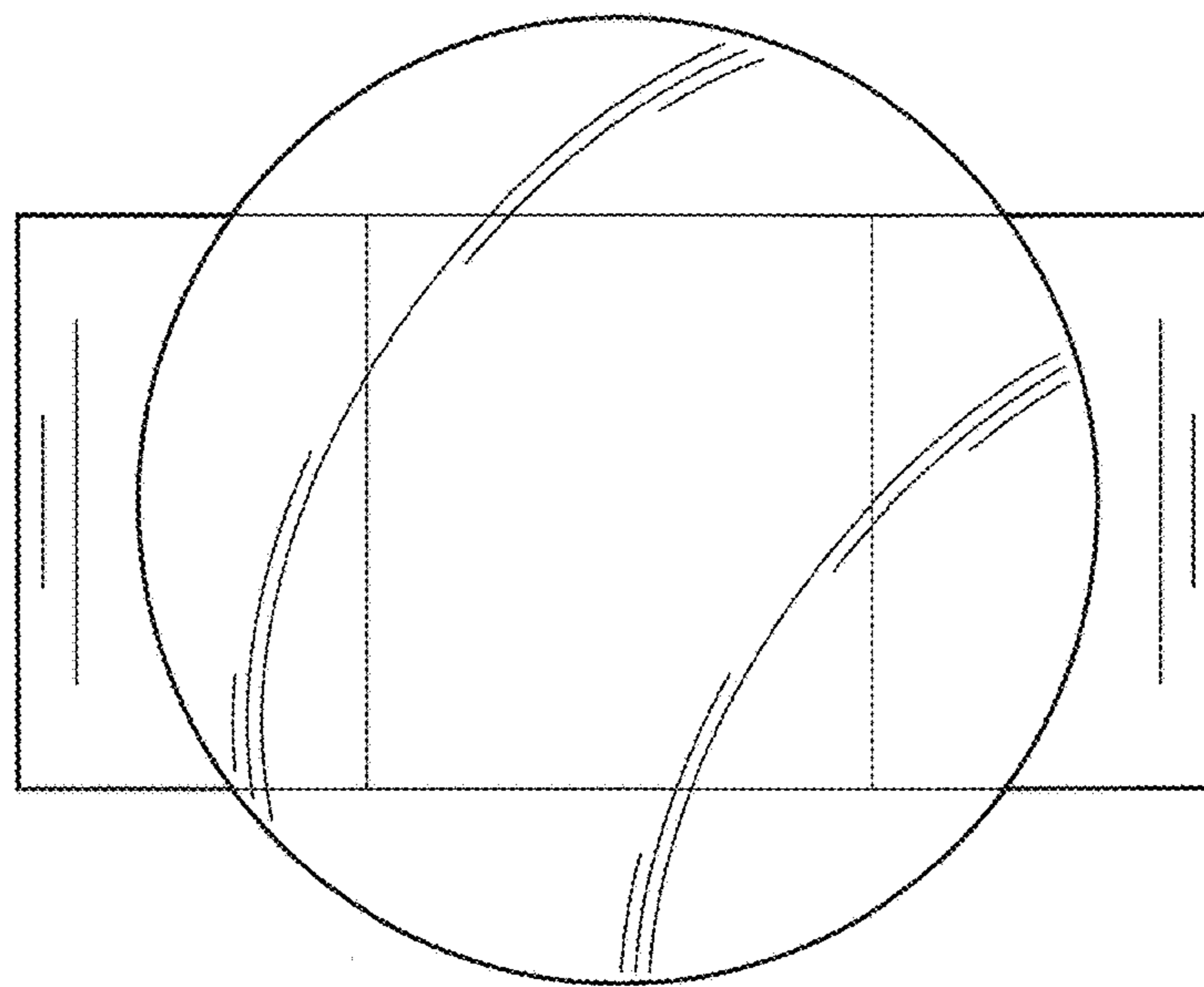


FIG. 6

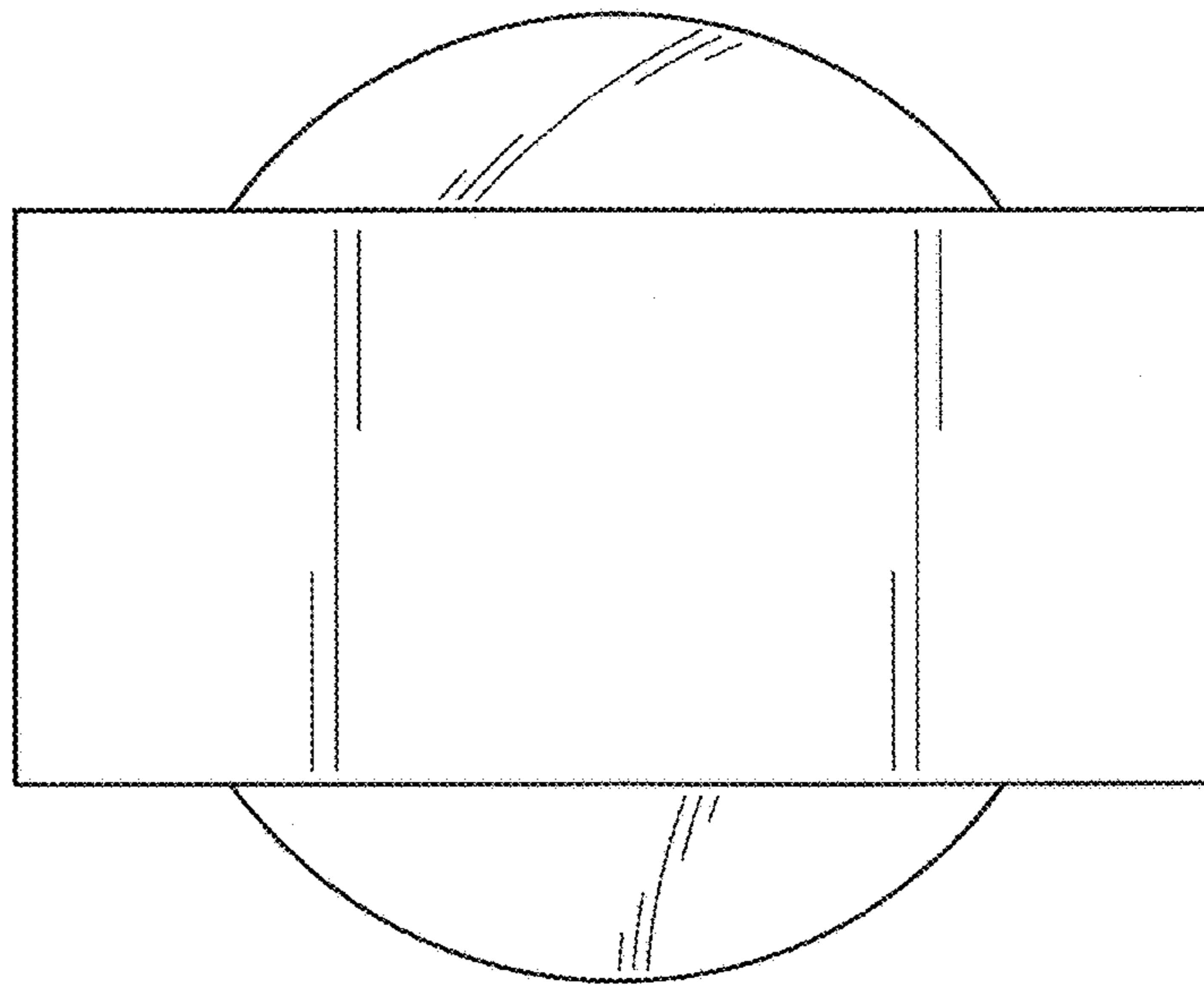


FIG. 7