



US00D836878S

(12) **United States Design Patent** (10) **Patent No.:** **US D836,878 S**  
**Adriani** (45) **Date of Patent:** **\*\* Dec. 25, 2018**

(54) **FOLDABLE TAILGATE RAMP**  
(71) Applicant: **Victor Adriani**, Charlotte Hall, MD (US)  
(72) Inventor: **Victor Adriani**, Charlotte Hall, MD (US)  
(\*\*) Term: **15 Years**  
(21) Appl. No.: **29/585,152**  
(22) Filed: **Nov. 21, 2016**

5,273,335 A 12/1993 Belnap et al.  
5,342,105 A \* 8/1994 Miles ..... B60P 1/435  
296/57.1  
5,540,474 A \* 7/1996 Holland ..... B60P 1/435  
296/61

(Continued)

**OTHER PUBLICATIONS**

Truck Loading Ramp retrieved on Jul. 28, 2015 from <http://www.sportsturfmagic.com/ProductPages/TailGateRamp.html>.

(Continued)

*Primary Examiner* — Cynthia Ramirez  
(74) *Attorney, Agent, or Firm* — Cahn & Samuels, LLP

(57) **CLAIM**

The ornamental design for a foldable tailgate ramp, as shown and described.

**DESCRIPTION**

FIG. 1 is a perspective view of a foldable tailgate ramp showing my new design;  
FIG. 2 is a top plan view thereof;  
FIG. 3 is a front elevational view thereof;  
FIG. 4 is a rear elevational view thereof;  
FIG. 5 is a right side elevational view thereof;  
FIG. 6 is a left side elevational view thereof;  
FIG. 7 is a bottom plan view thereof;  
FIG. 8 is a perspective view of a foldable tailgate ramp in an unfolded position of use;  
FIG. 9 is a perspective view of a foldable tailgate ramp in a partially folded position of use; and,  
FIG. 10 is a perspective view of the foldable tailgate ramp in a completely folded position or use.  
The broken lines showing a truck in FIGS. 8-10 are for the purpose of illustrating environmental structure and form no part of the claimed design.  
The broken lines showing a grid pattern of the tailgate ramp in FIGS. 1,2 and 7-10 are for the purpose of illustrating portions of the ramp that form no part of the claimed design.

**Related U.S. Application Data**

(62) Division of application No. 29/523,241, filed on Apr. 8, 2015, now Pat. No. Des. 777,399.

(51) **LOC (11) Cl.** ..... **12-05**

(52) **U.S. Cl.**  
USPC ..... **D34/32**

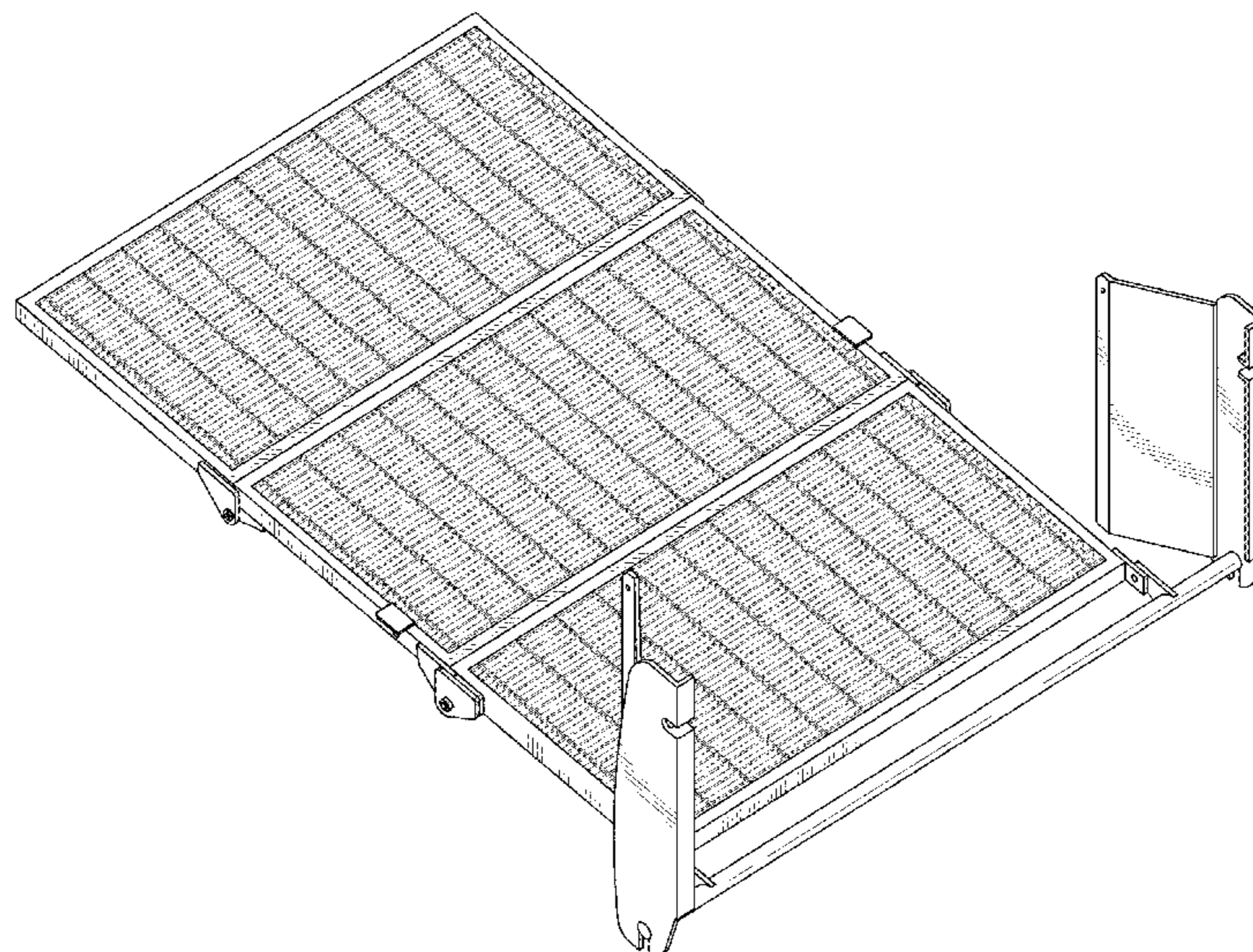
(58) **Field of Classification Search**  
USPC ..... D34/32, 33; D12/106, 400, 406; 296/61, 296/50; 414/462, 537  
CPC ..... B60P 1/43; B60P 1/431; B60P 3/1025; B60P 3/40; B60R 9/06; B60R 9/10  
See application file for complete search history.

(56) **References Cited**

**U.S. PATENT DOCUMENTS**

4,735,454 A 4/1988 Bernard  
4,795,304 A \* 1/1989 Dudley ..... B60P 1/435  
14/71.1  
4,944,546 A 7/1990 Keller  
4,979,867 A \* 12/1990 Best ..... B60P 1/43  
414/537  
5,133,584 A \* 7/1992 McCleary ..... B60P 1/435  
296/57.1  
D338,760 S \* 8/1993 Harrah ..... D34/28  
5,244,335 A 9/1993 Johns

**1 Claim, 8 Drawing Sheets**



(56)

References Cited

U.S. PATENT DOCUMENTS

5,641,262 A 6/1997 Dunlop et al.  
 5,768,733 A \* 6/1998 Kneebone ..... B65G 69/30  
 14/69.5  
 5,907,276 A 5/1999 Lance  
 5,988,725 A \* 11/1999 Cole ..... B62D 33/0273  
 296/61  
 6,076,215 A \* 6/2000 Blankenship ..... B60P 1/43  
 14/69.5  
 6,447,040 B1 \* 9/2002 Young, Sr. .... B60P 1/435  
 296/61  
 6,712,416 B1 3/2004 Jones  
 6,722,721 B2 4/2004 Sherrer  
 6,746,068 B1 6/2004 Hurd  
 D505,238 S \* 5/2005 Robertson ..... D34/32  
 7,070,220 B1 7/2006 Lantaigne  
 7,458,624 B1 12/2008 Bower et al.  
 7,549,692 B2 6/2009 Washington  
 D633,684 S \* 3/2011 Key ..... D34/32  
 D640,854 S \* 6/2011 Leum ..... D34/32  
 8,109,552 B2 2/2012 Nelson

8,302,235 B1 11/2012 Bailie et al.  
 D674,162 S \* 1/2013 Gooch ..... D34/32  
 8,511,734 B2 8/2013 Hutchins, Jr. et al.  
 8,764,088 B1 7/2014 Jobe  
 8,894,345 B1 11/2014 Richins et al.  
 D777,399 S \* 1/2017 Adriani ..... D34/32  
 2003/0015885 A1 1/2003 Landwehr  
 2006/0133915 A1 6/2006 Day  
 2007/0278813 A1 12/2007 Keehle  
 2008/0159838 A1 7/2008 Sherer  
 2008/0174138 A1 7/2008 Huggins  
 2010/0178142 A1 7/2010 Noddin et al.

OTHER PUBLICATIONS

ATV Ramp and Tailgate retrieved on Jul. 28, 2015 from <http://tailgateramps.com/pictures.htm>.  
 Tailgate Ramp retrieved on Jul. 28, 2015 from <http://www.bmwmecc.org.za/tailgate-ramp>.  
 Tailgate Ramp retrieved on Sep. 18, 2015 from [http://www.pickupspecialties.com>Loading\\_Ramps/tailgate\\_ramps.htm](http://www.pickupspecialties.com>Loading_Ramps/tailgate_ramps.htm).

\* cited by examiner

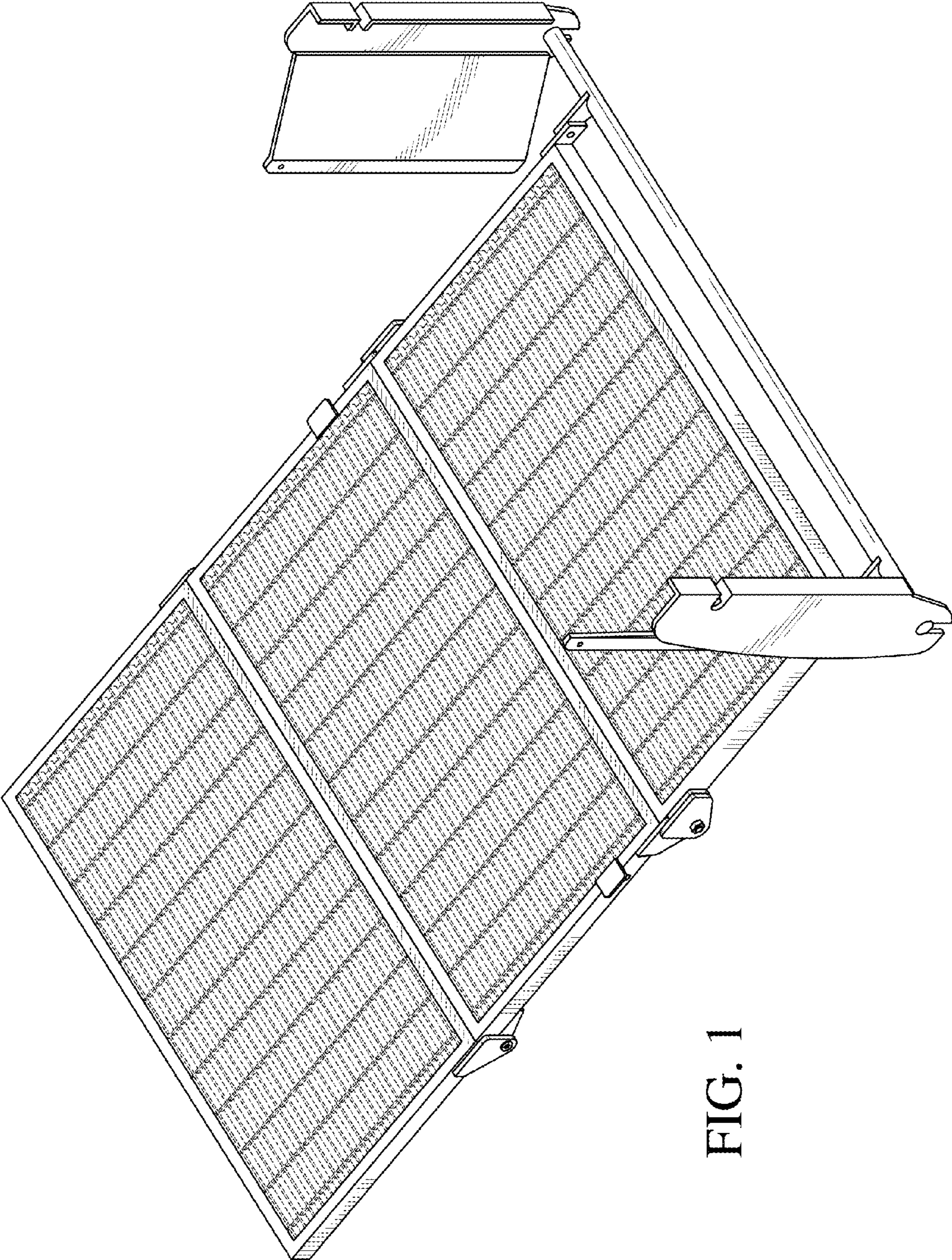


FIG. 1

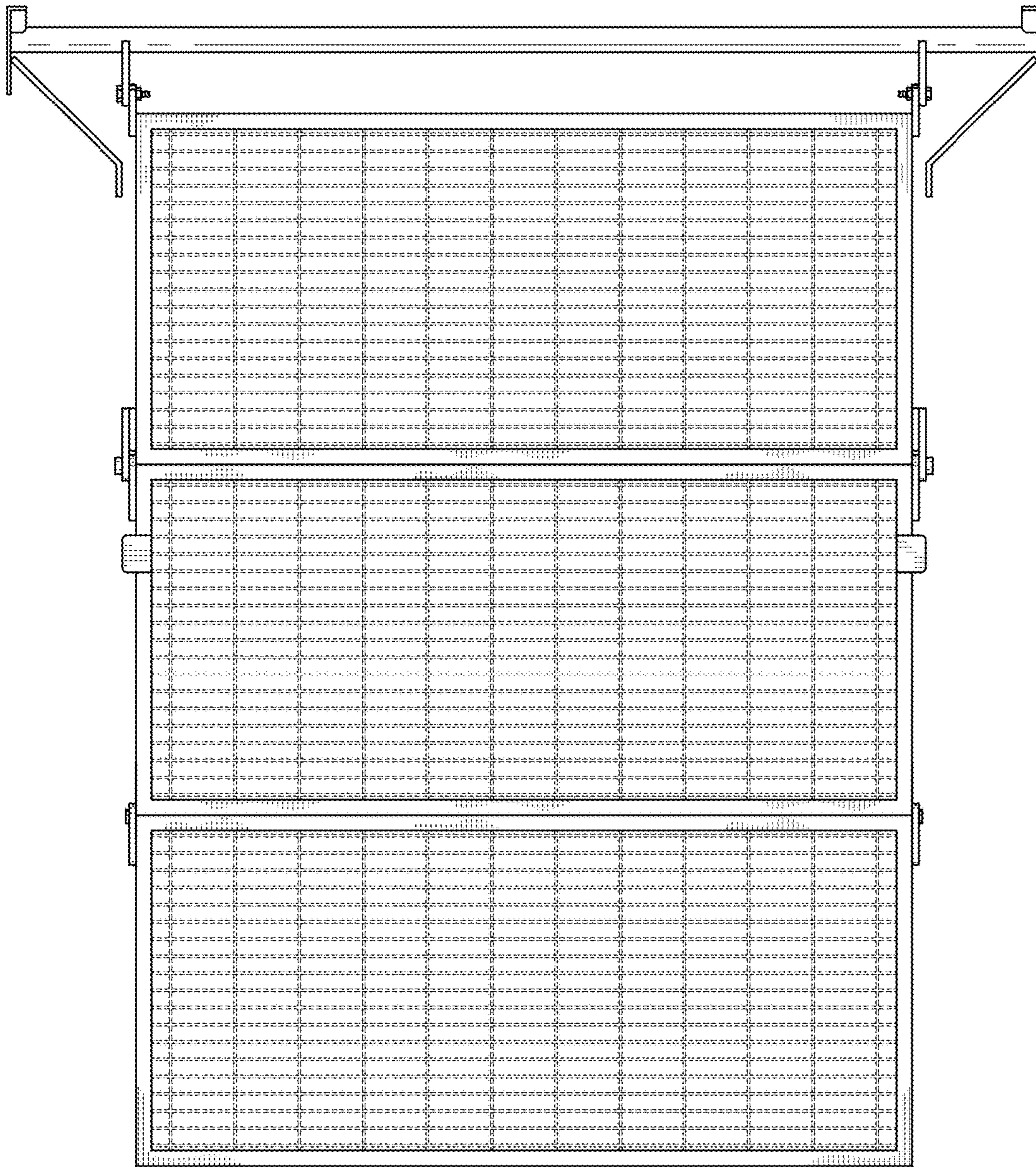


FIG. 2

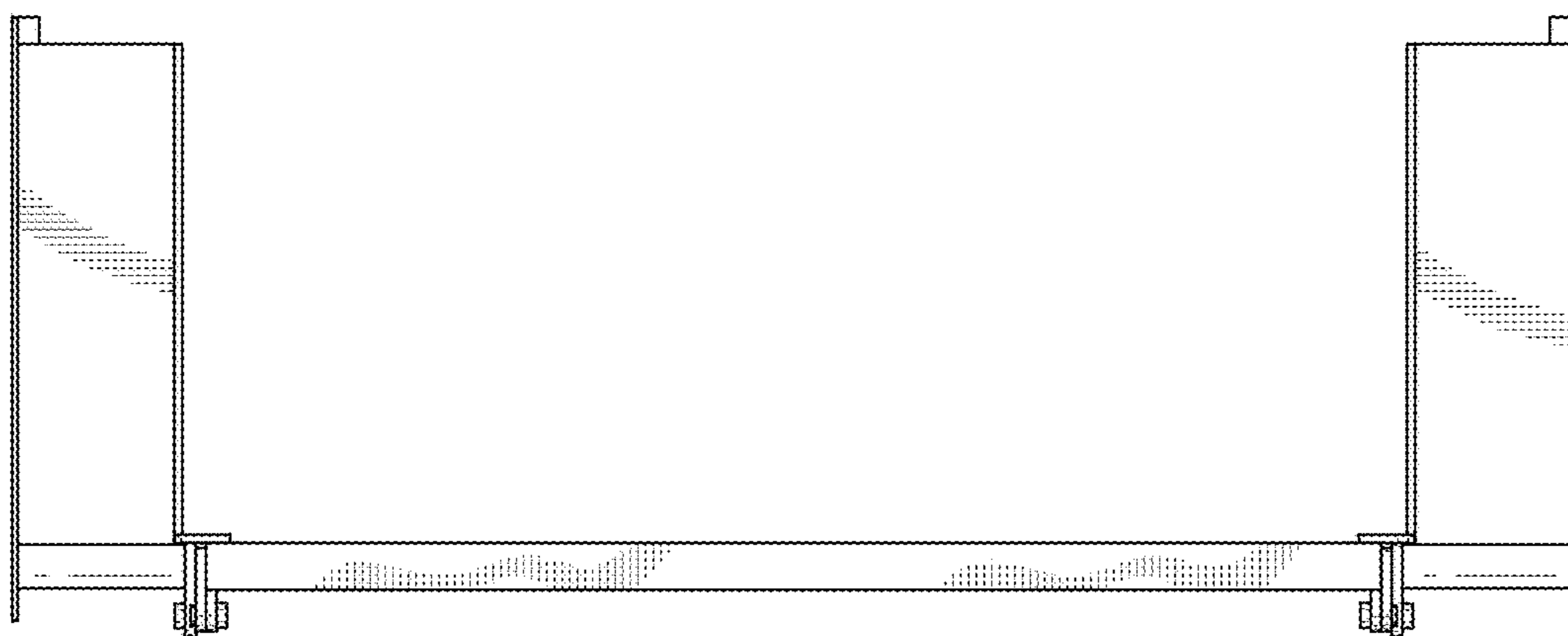


FIG. 3

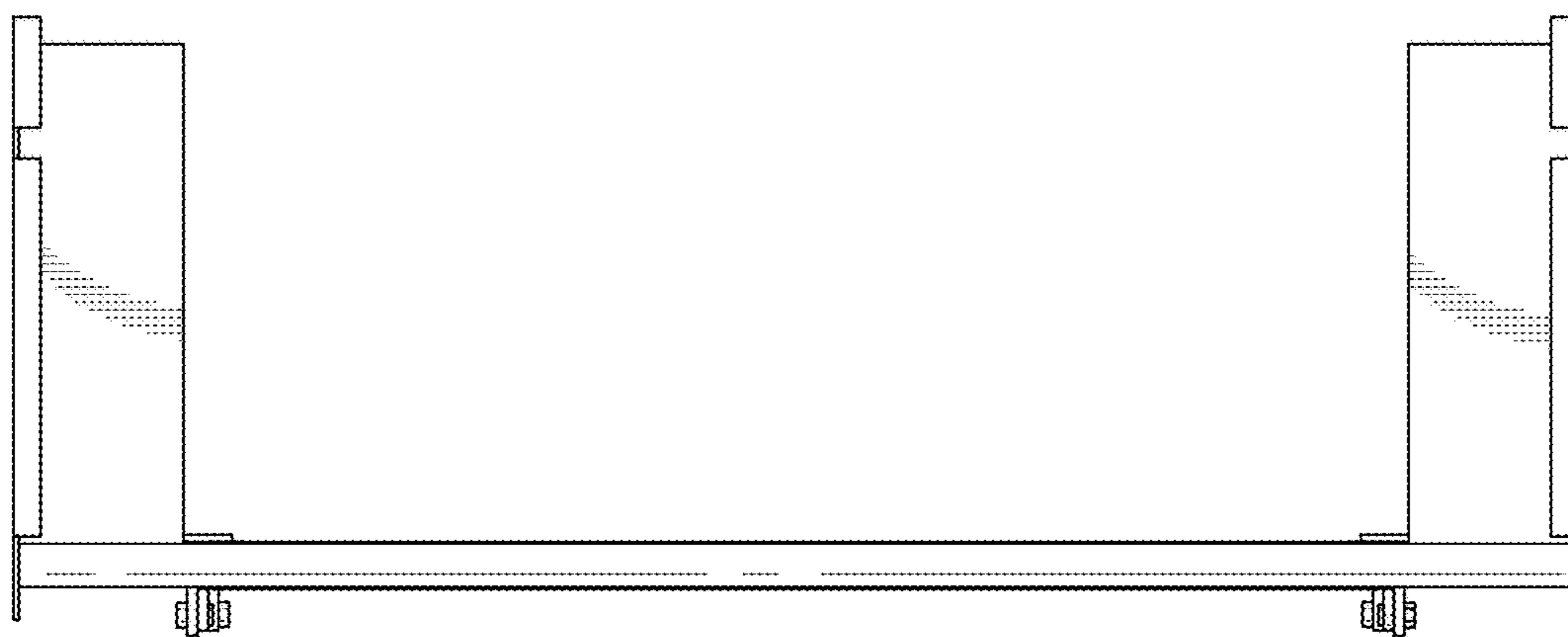


FIG. 4

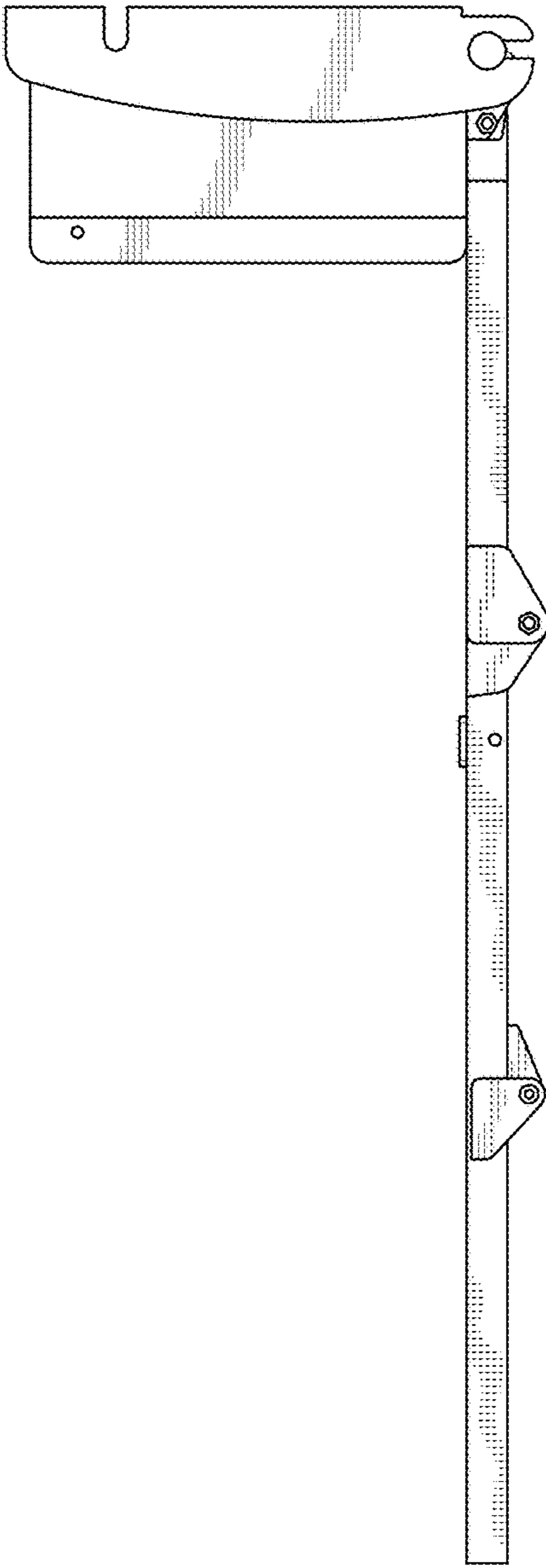


FIG. 5

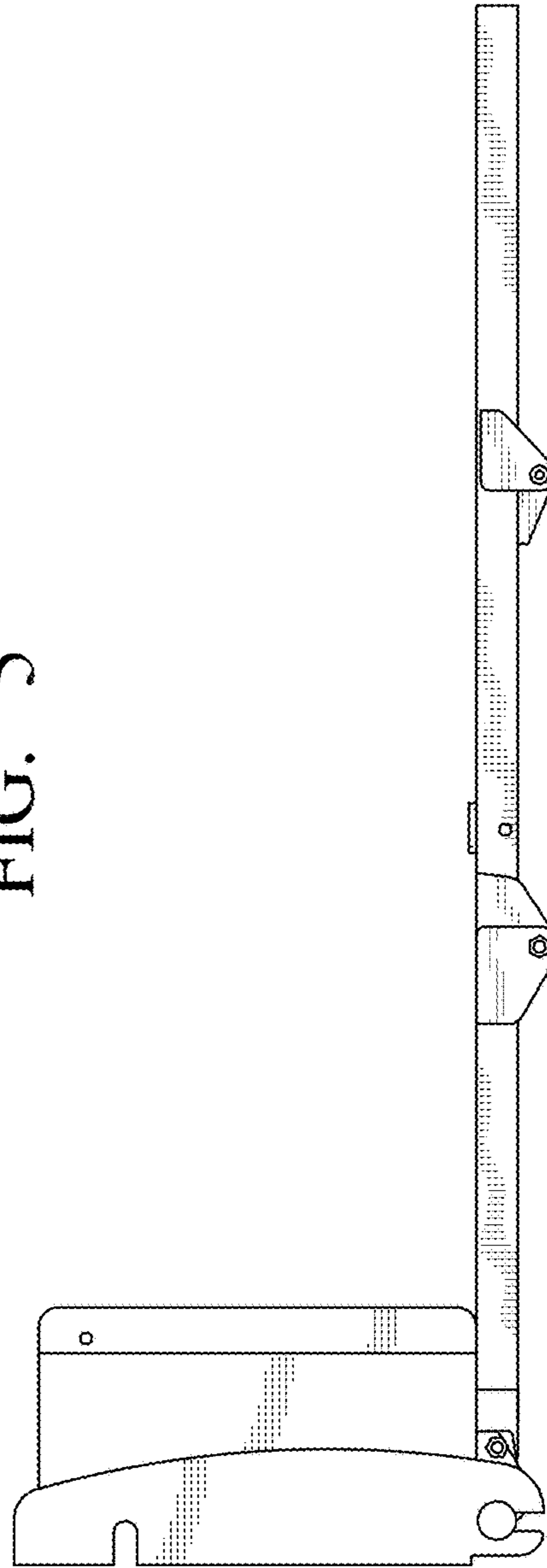


FIG. 6

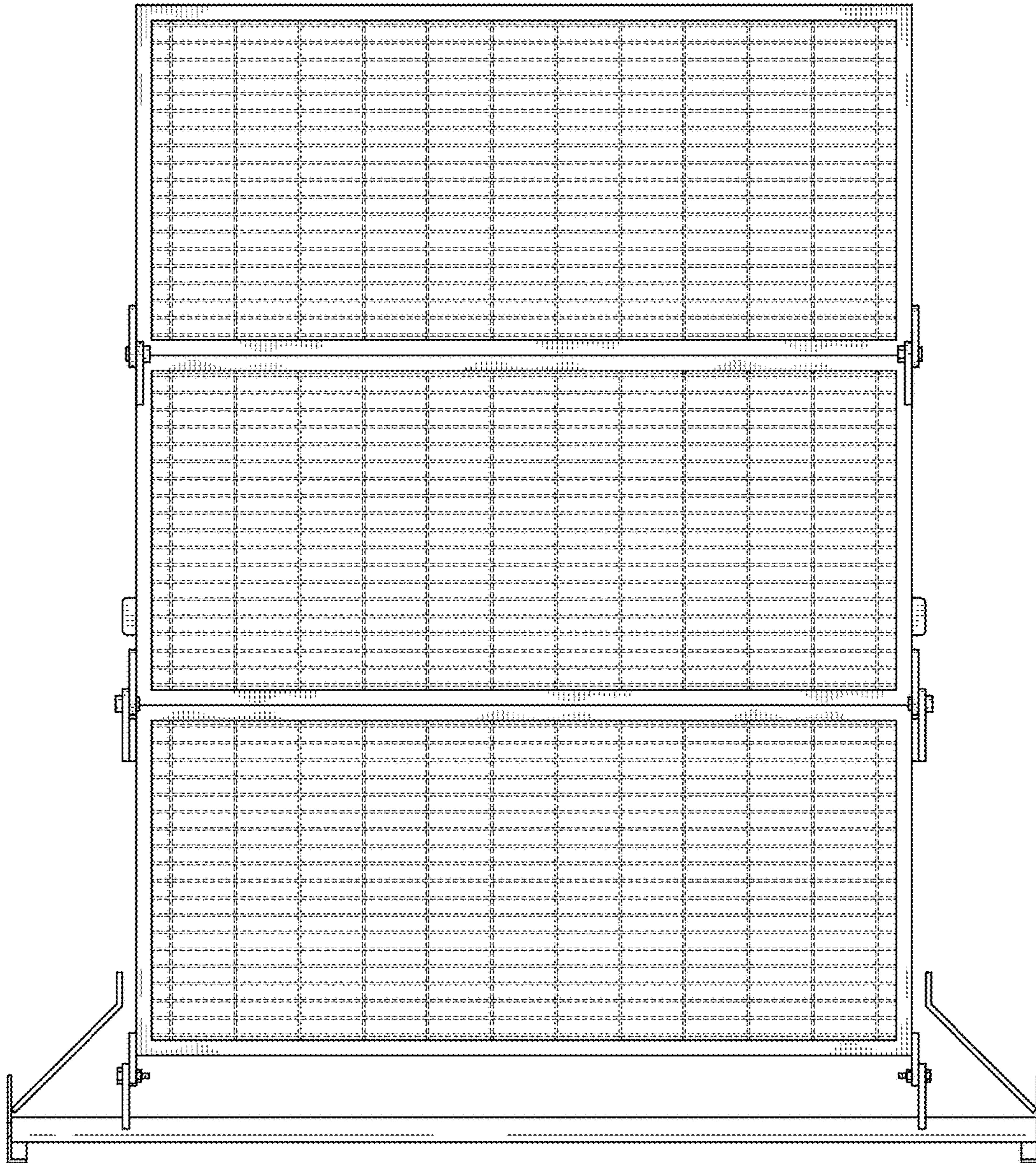


FIG. 7

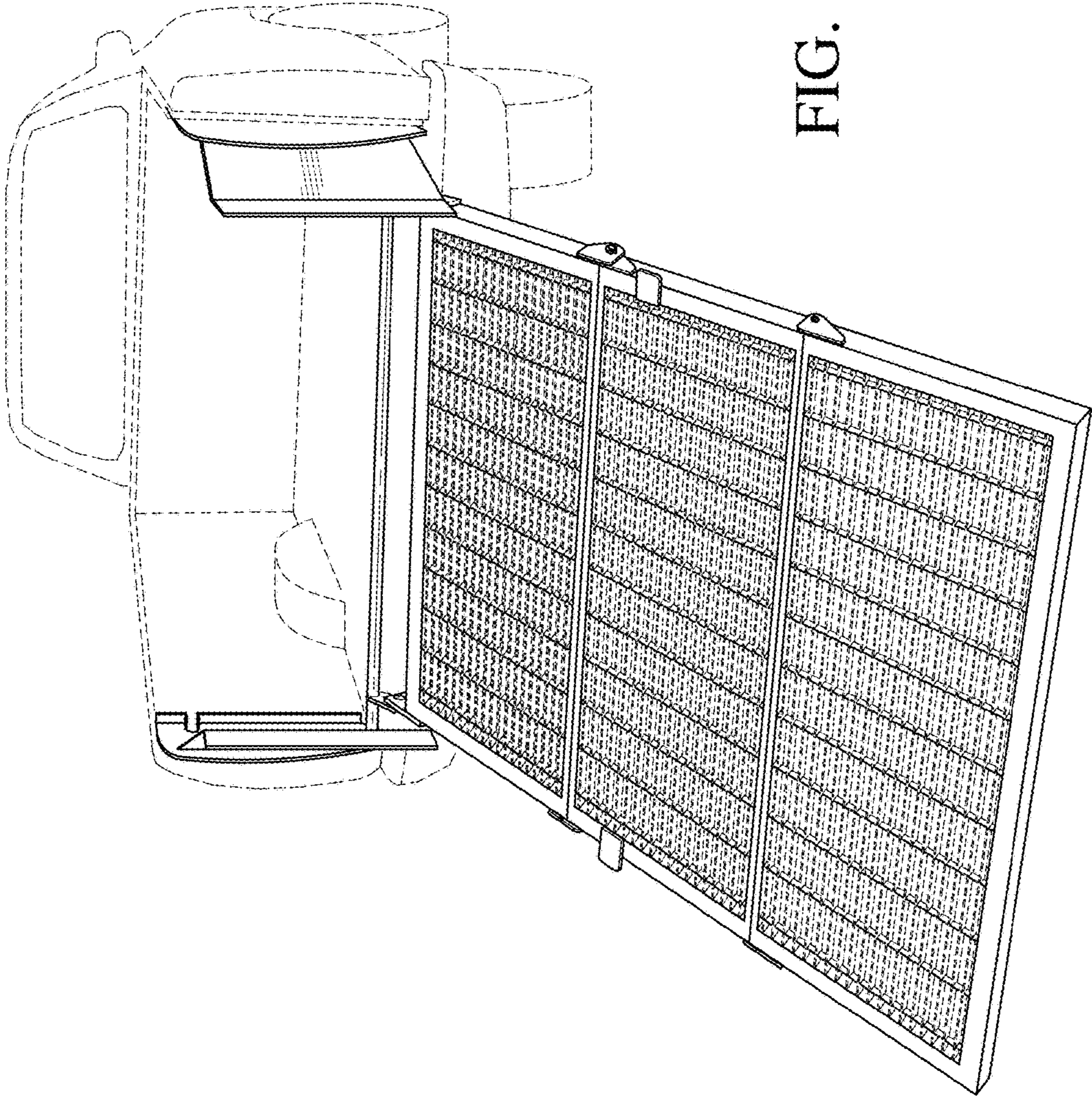


FIG. 8



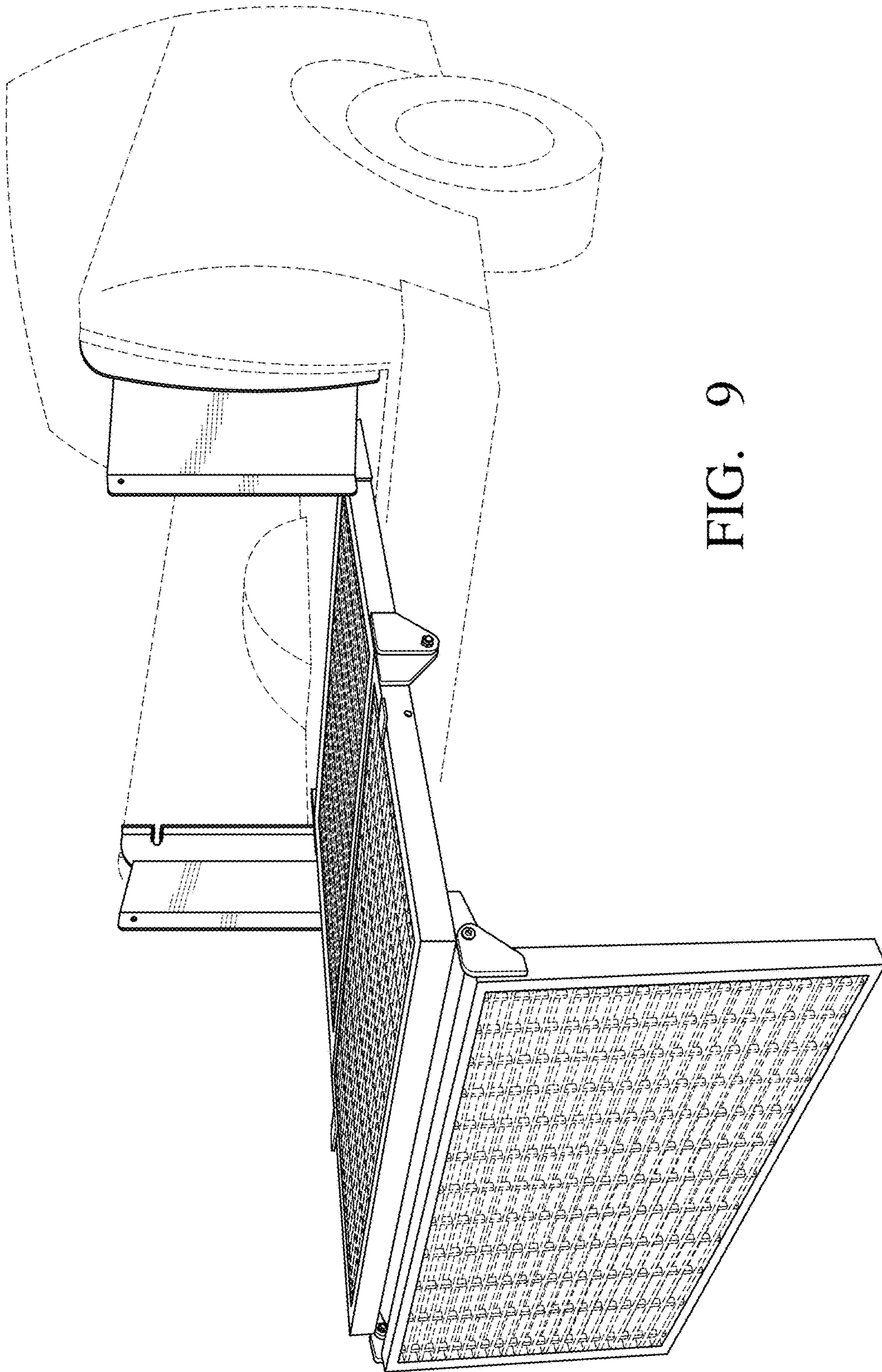


FIG. 9

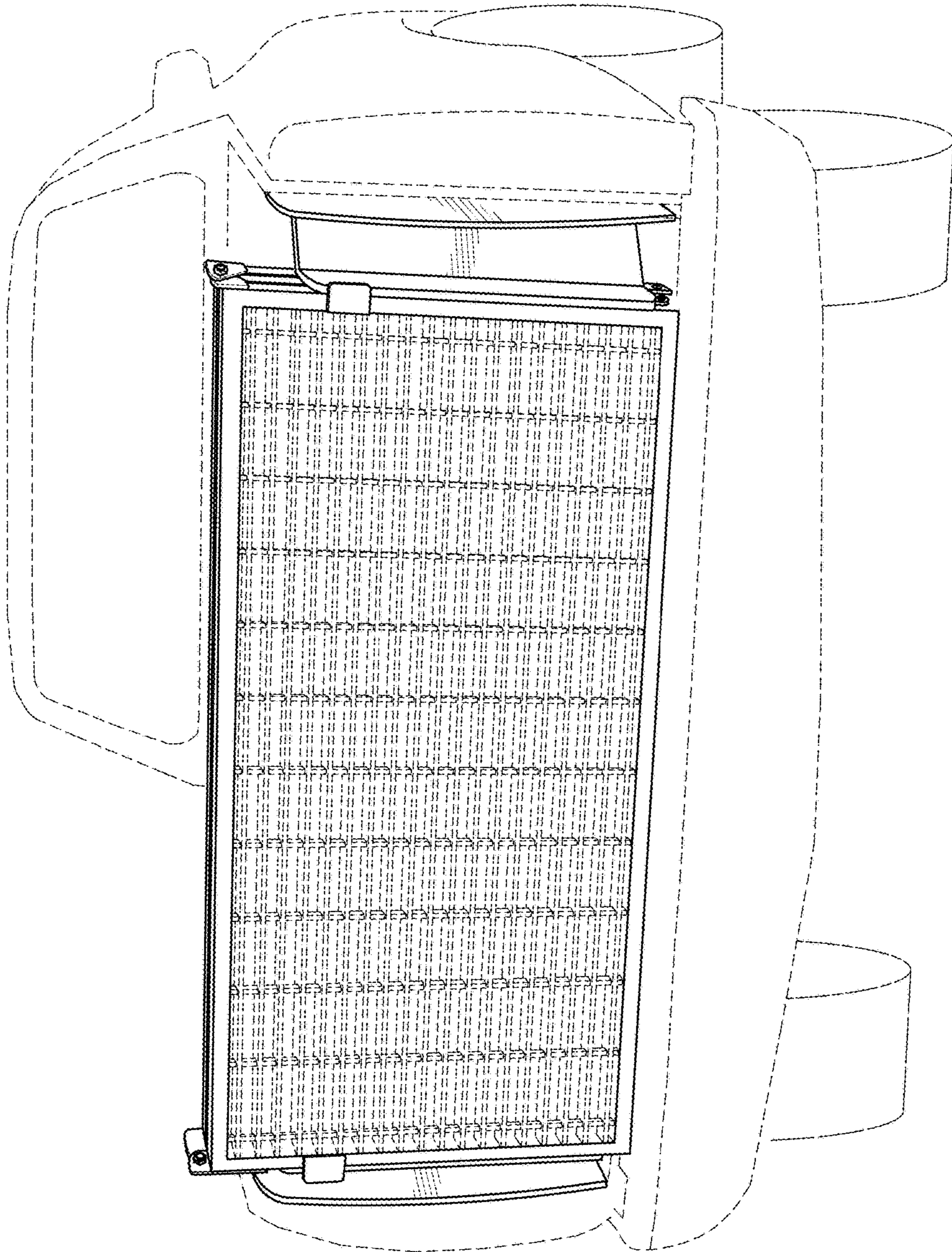


FIG. 10