



US00D836874S

(12) **United States Design Patent**
Acosta et al.

(10) **Patent No.:** **US D836,874 S**
(45) **Date of Patent:** **** Dec. 25, 2018**

- (54) **PAINT PAIL AND LID**
- (71) Applicants: **Fred Acosta**, Port Jefferson Station, NY (US); **Nicholas Acosta**, New Hyde Park, NY (US)
- (72) Inventors: **Fred Acosta**, Port Jefferson Station, NY (US); **Nicholas Acosta**, New Hyde Park, NY (US)

7,191,913 B2 * 3/2007 Byrne B44D 3/121
220/570
D627,119 S * 11/2010 Bergman D32/53.1
8,286,825 B2 * 10/2012 Billado, Jr. B44D 3/128
220/762
D742,610 S * 11/2015 Arvinte B44D 3/121
D32/53.1
D744,186 S * 11/2015 Gringer B44D 3/128
D32/53.1

(**) Term: **15 Years**

(21) Appl. No.: **29/613,167**

(22) Filed: **Aug. 8, 2017**

(51) **LOC (11) Cl.** **07-07**

(52) **U.S. Cl.**
USPC **D32/53.1**

(58) **Field of Classification Search**
USPC D32/53-54; 15/264; 220/669, 752-3,
220/659, 770, 904, 570; D8/313, 315;
16/430; D28/56
CPC A47L 13/58; A47J 47/18; A47J 13/50;
B65D 25/2802; B65D 25/28; B44D
3/128; B44D 1/126
See application file for complete search history.

(56) **References Cited**

U.S. PATENT DOCUMENTS

- D483,917 S * 12/2003 Frantz B44D 3/126
D32/53.1
- D518,263 S * 3/2006 Verhaar D32/53.1

* cited by examiner

Primary Examiner — Robin V Webster

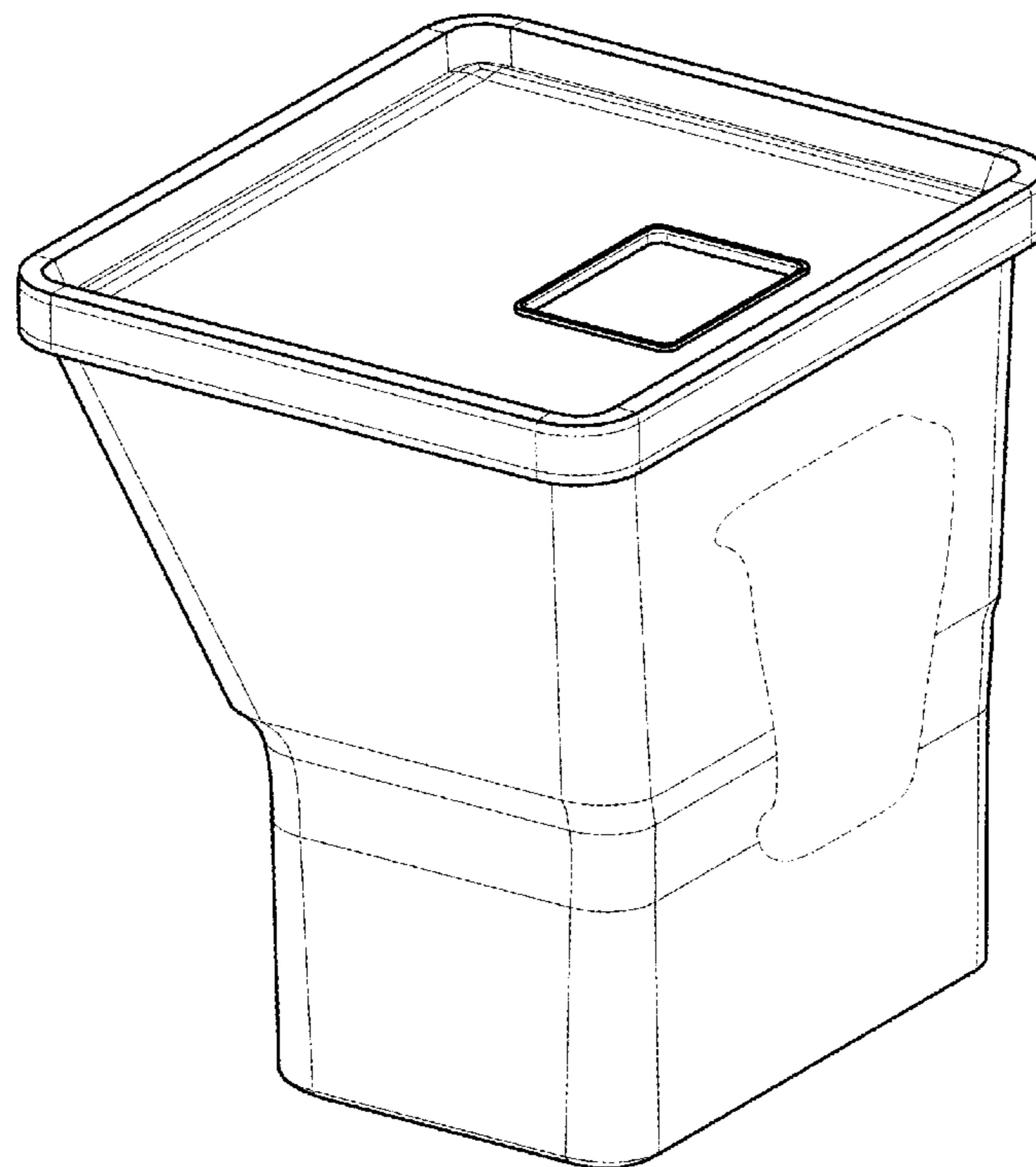
(57) **CLAIM**

The ornamental design for a paint pail and lid, as shown and described.

DESCRIPTION

FIG. 1 is a rear perspective view of a paint pail and lid shown without the lid for clarity of illustration;
FIG. 2 is a top plan view thereof;
FIG. 3 is a right side elevational view thereof, the left side being a mirror image;
FIG. 4 is a front view thereof;
FIG. 5 is a bottom view thereof;
FIG. 6 is a rear view thereof; and,
FIG. 7 rear perspective view thereof with the lid secured thereto.
In FIGS. 1-7, the features of the paint pail and lid shown in phantom lines illustrate topographical structures and accessory features that form no part of the claimed design.

1 Claim, 4 Drawing Sheets



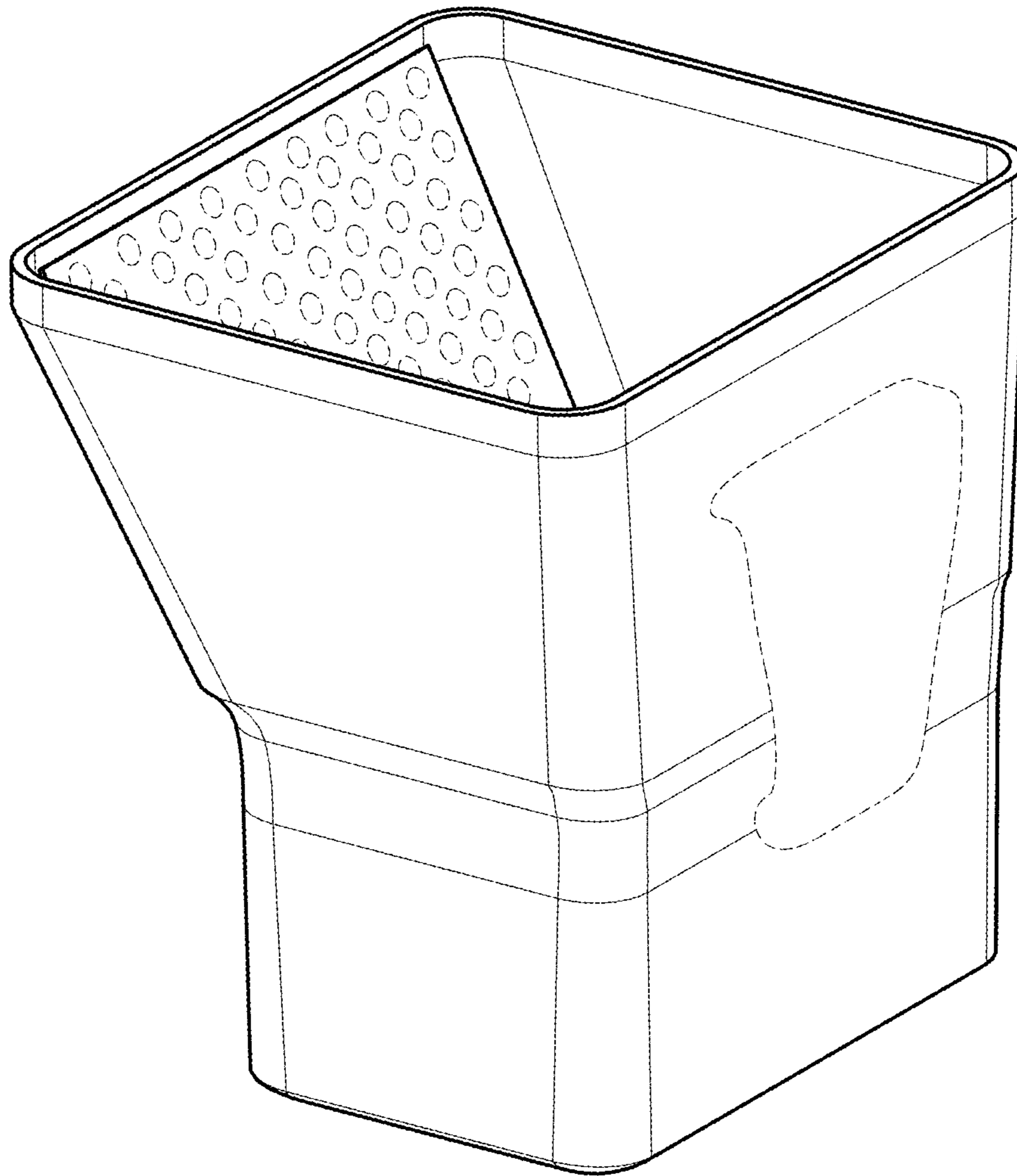


FIG. 1

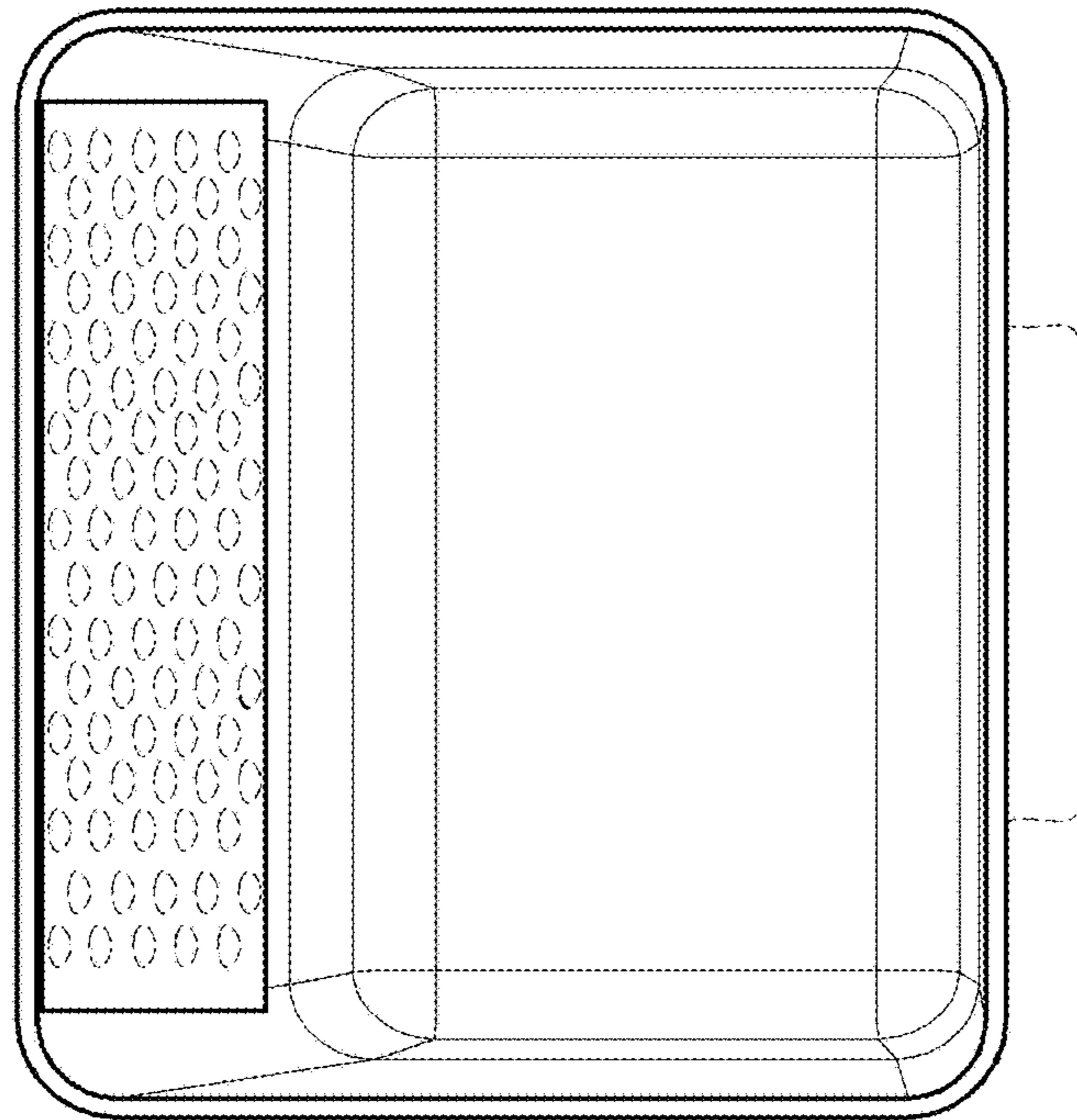


FIG. 2

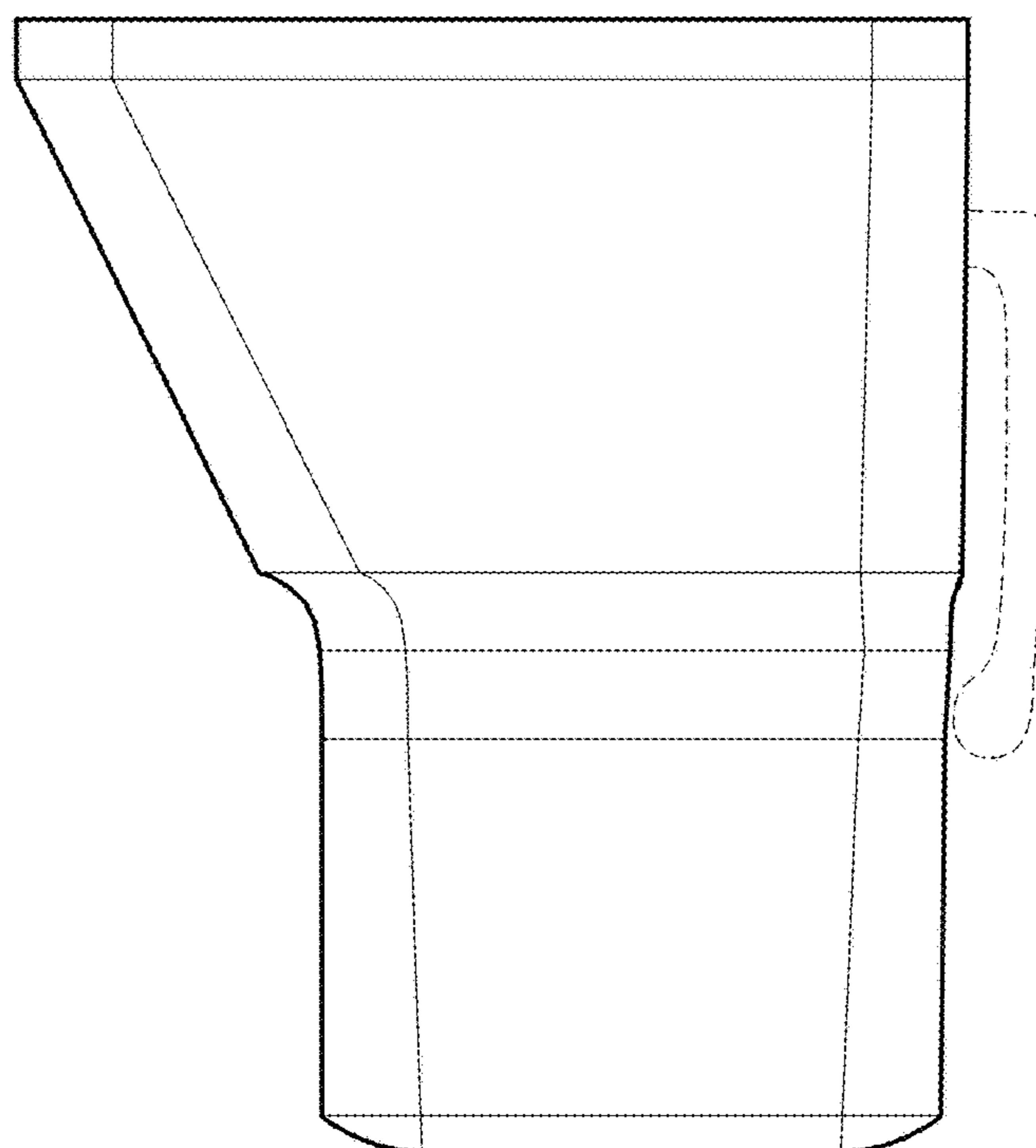


FIG. 3

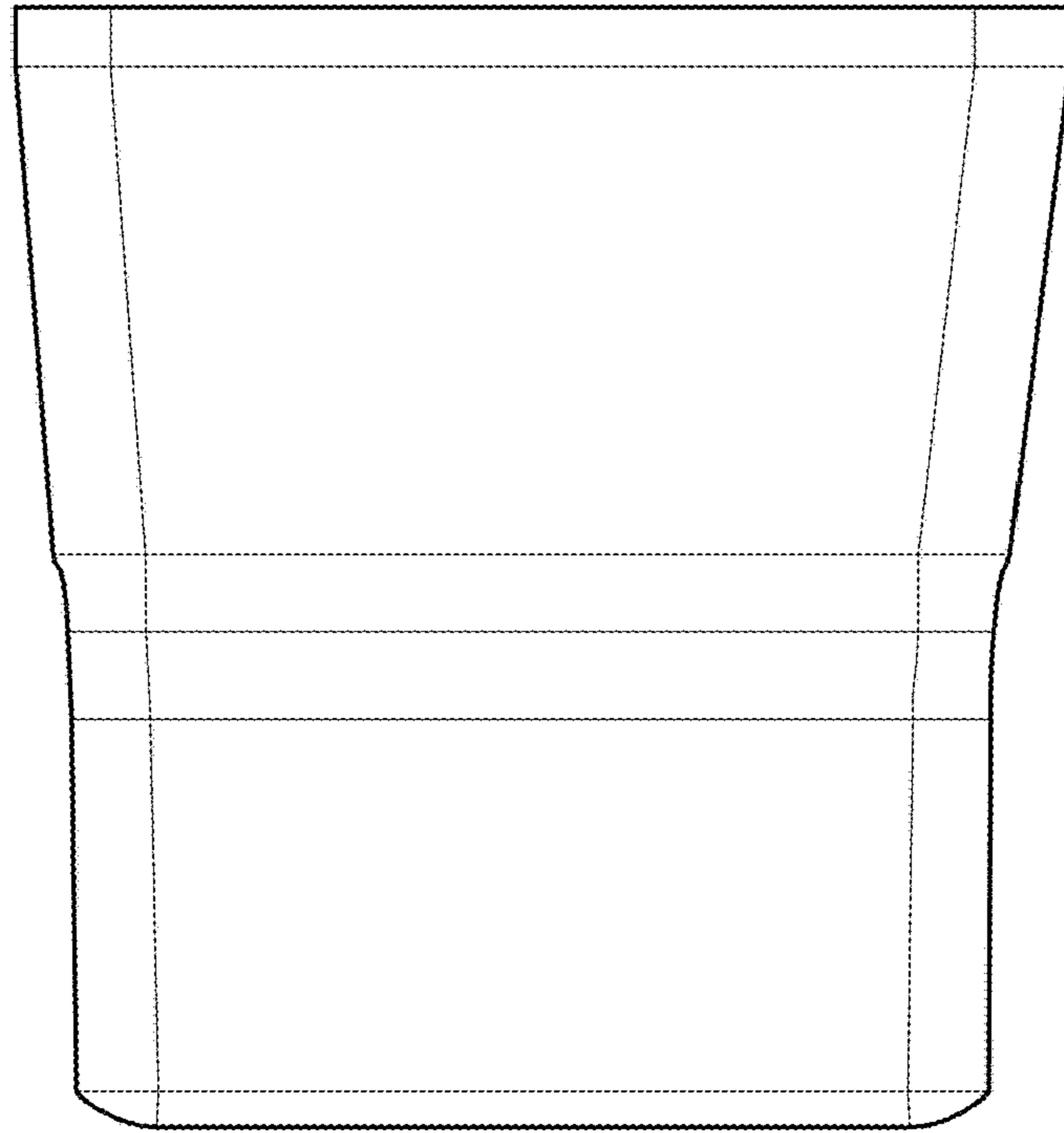


FIG. 4

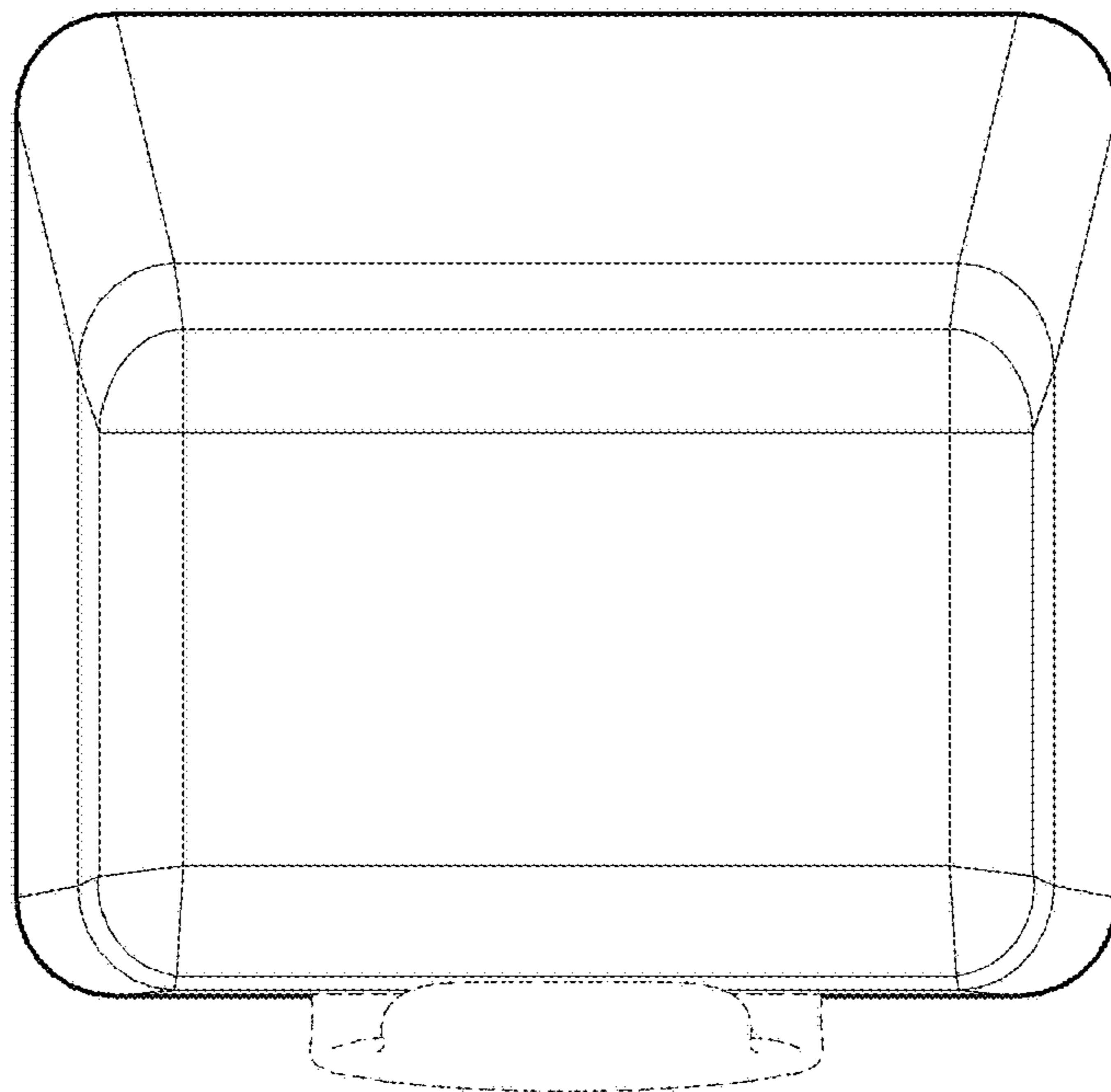


FIG. 5

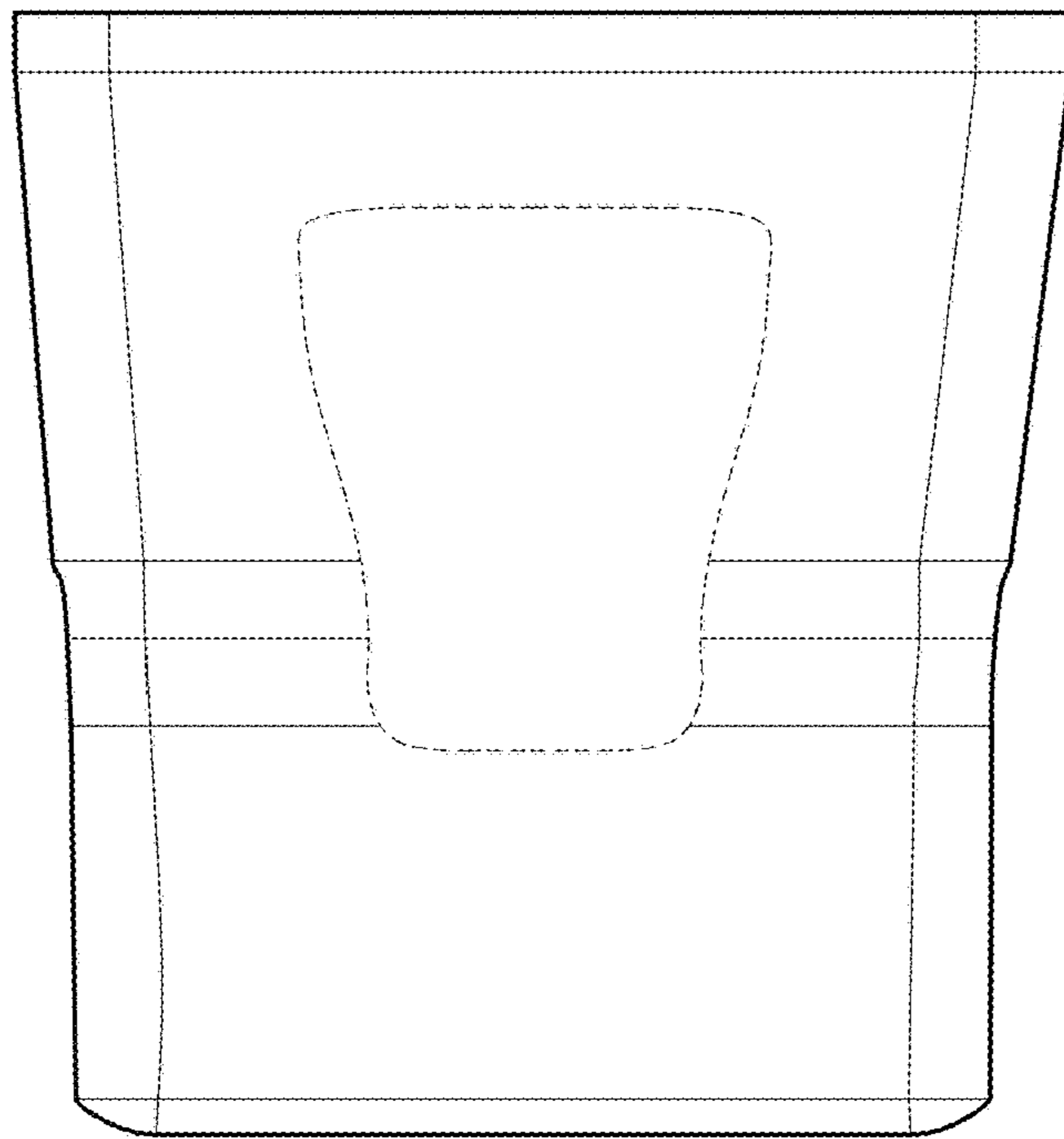


FIG. 6

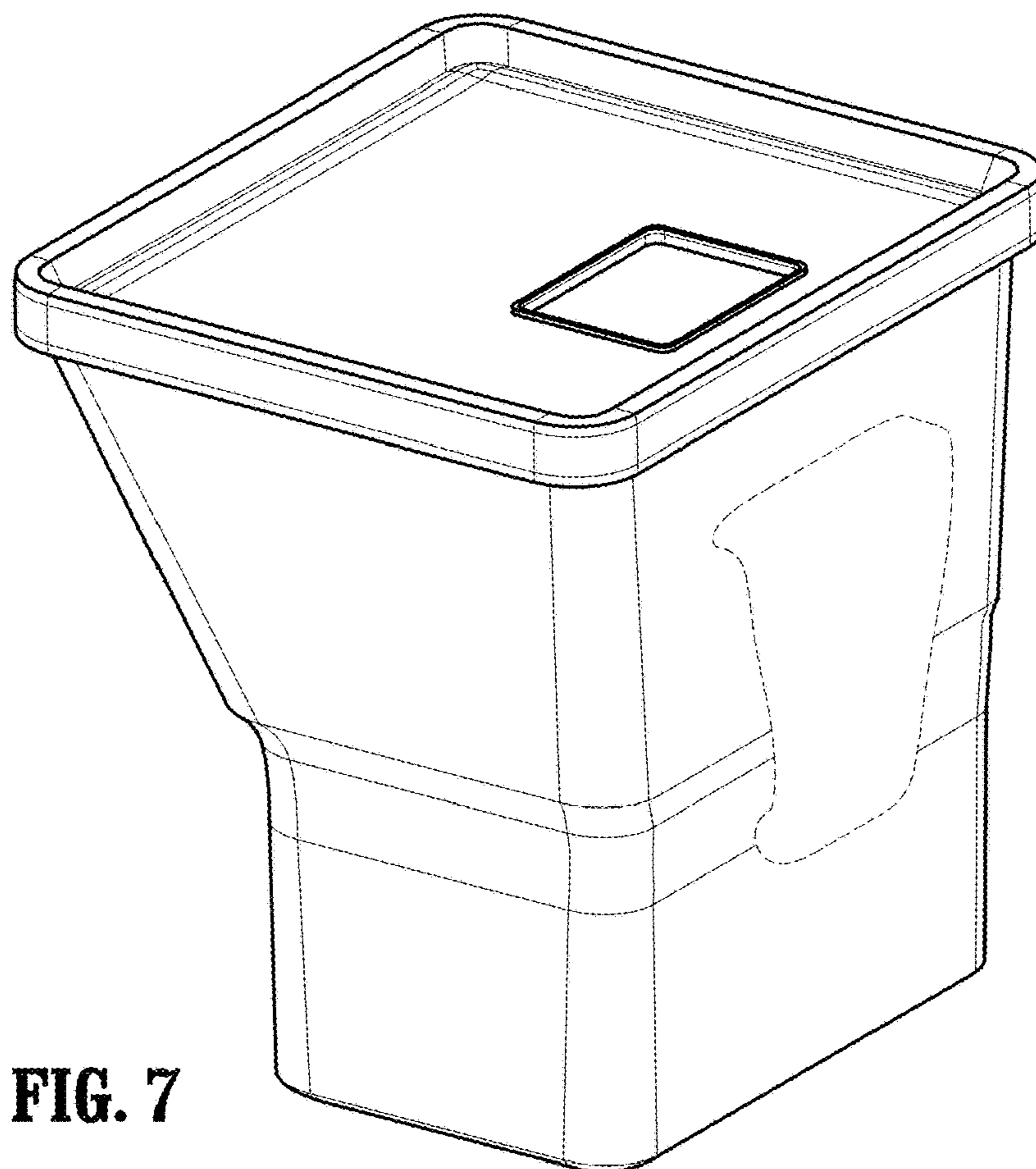


FIG. 7