



US00D836873S

(12) **United States Design Patent**
Schneider

(10) **Patent No.:** **US D836,873 S**
(45) **Date of Patent:** **** Dec. 25, 2018**

(54) **BUCKET CONTAINER WITH HANDLE**

FOREIGN PATENT DOCUMENTS

(71) Applicant: **Joseph Scott Schneider**, Ocean City,
MD (US)

CN 202400383 U 8/2012
CN 203186671 U 9/2013

(Continued)

(72) Inventor: **Joseph Scott Schneider**, Ocean City,
MD (US)

OTHER PUBLICATIONS

(**) Term: **15 Years**

Jeffers, "Fortiflex Muck Bucket", <https://www.jefferspet.com/products/muck-bucket-black>, last downloaded Sep. 30, 2016.

(21) Appl. No.: **29/646,516**

(Continued)

(22) Filed: **May 4, 2018**

Primary Examiner — Robin V Webster

(74) *Attorney, Agent, or Firm* — Miles & Stockbridge
P.C.

Related U.S. Application Data

(62) Division of application No. 29/596,186, filed on Mar.
6, 2017, now Pat. No. Des. 819,909.

(51) **LOC (11) Cl.** **07-07**

(52) **U.S. Cl.**

USPC **D32/53**

(58) **Field of Classification Search**

USPC D32/53-54; 15/264; 220/669, 752-3,
220/659, 770, 904, 570; D8/313, 315;
16/430; D28/56

CPC A47L 13/58; A47J 47/18; A47J 13/50;
B65D 25/2802; B65D 25/28; B44D
3/128; B44D 1/126

See application file for complete search history.

(57) **CLAIM**

I claim the ornamental design for a bucket container with
handle, as shown and described.

DESCRIPTION

FIG. 1 is a perspective view of a bucket container with
handle of the present invention.

FIG. 2 is a first-side view of the bucket container with handle
of the present invention.

FIG. 3 is a second-side view of the bucket with handle
container of the present invention.

FIG. 4 is a third-side view of the bucket container with
handle of the present invention.

FIG. 5 is a fourth-side view of bucket container with handle
of the present invention.

FIG. 6 is a top plan view of the bucket container with handle
of the present invention.

FIG. 7 is a bottom plan view of the bucket container with
handle of the present invention.

FIG. 8 is a second perspective view of the bucket container
with handle of the present invention; and,

FIG. 9 is a third perspective view of the bucket container
with handle of the present invention.

(56) **References Cited**

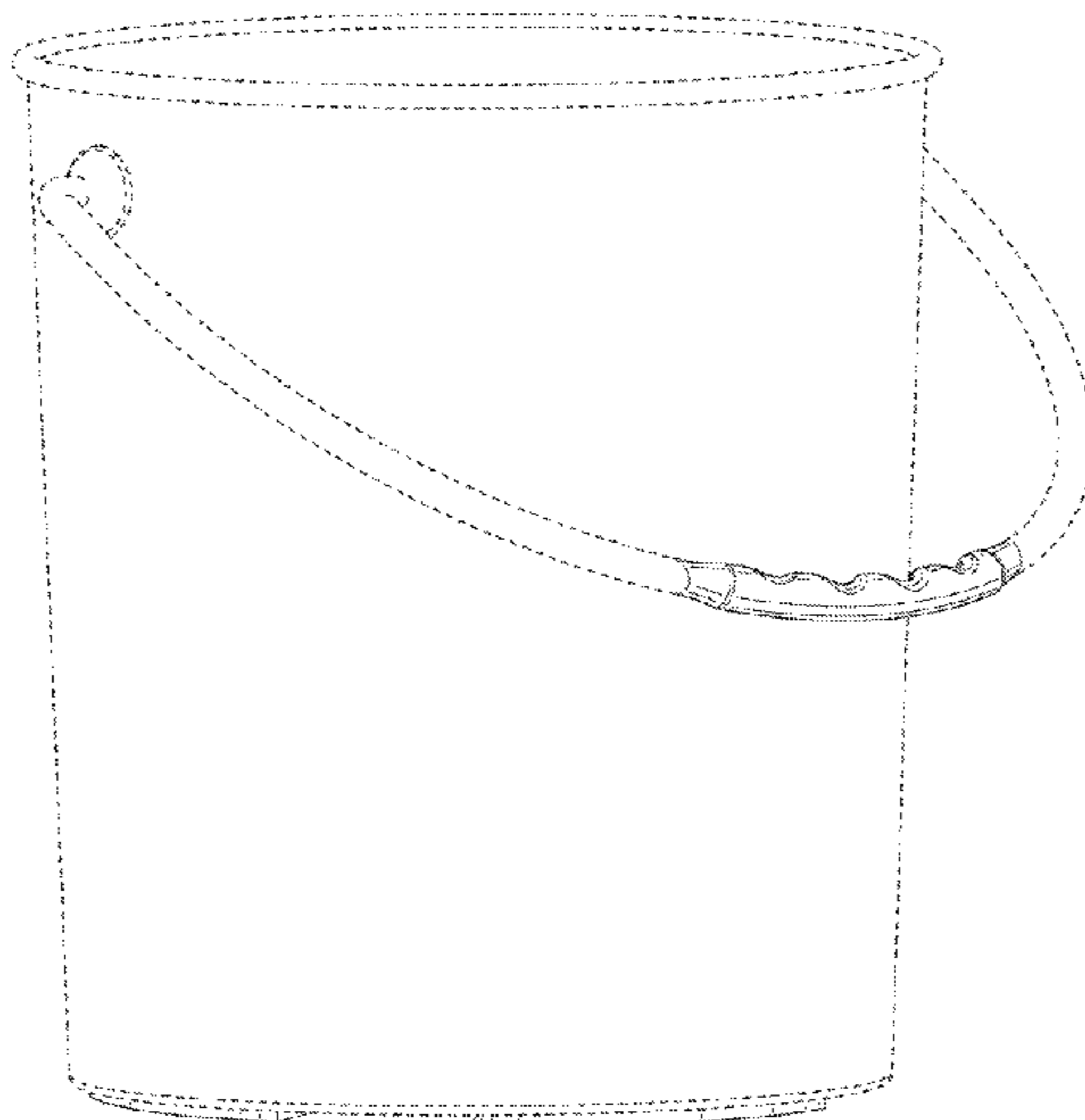
U.S. PATENT DOCUMENTS

1,420,851 A * 6/1922 Lindhorst A47J 47/18
220/755

D159,662 S 8/1950 Patek
2,793,670 A 5/1957 Schmidt
3,343,711 A 9/1967 Godshalk
3,425,471 A 2/1969 Yates, Jr.
4,293,073 A 10/1981 Yates, Jr.
4,632,357 A 12/1986 Von Holdt

(Continued)

1 Claim, 9 Drawing Sheets



(56)

References Cited

U.S. PATENT DOCUMENTS

4,791,702 A * 12/1988 McVey A45F 5/10
16/428
4,890,355 A * 1/1990 Schulten A45F 5/1046
16/421
4,998,622 A 3/1991 Drack
5,088,615 A 2/1992 Neuman
5,292,024 A 3/1994 Koefeldt et al.
5,440,784 A * 8/1995 Hull A01K 87/08
16/114.1
5,507,543 A 4/1996 Shefflin
D415,858 S 10/1999 Funatogawa
6,758,365 B2 7/2004 Jackson
D514,422 S 2/2006 Lai
7,039,996 B2 * 5/2006 Crawley A45C 13/26
16/425
8,210,391 B2 7/2012 Luburic
D683,920 S 6/2013 Bonafide
D683,921 S 6/2013 Bonafide
8,869,985 B2 10/2014 Schick
D726,385 S 4/2015 O’Leary et al.
D739,626 S 9/2015 Condiff
D739,627 S 9/2015 Condiff

D743,136 S 11/2015 Condiff
D759,927 S * 6/2016 Del Rosario Roy D32/53
D782,768 S 3/2017 Luburic
D789,639 S * 6/2017 Schneider D32/53
D815,787 S * 4/2018 Seiders D32/53
D819,909 S * 6/2018 Schneider D32/53
2009/0152280 A1 6/2009 Luburic
2013/0284306 A1 10/2013 Carlson et al.
2014/0182201 A1 7/2014 Danowski et al.

FOREIGN PATENT DOCUMENTS

CN 204072010 U 1/2015
KR 20-0282599 Y1 7/2002

OTHER PUBLICATIONS

Personalization Mall, “Sit N’ Fish Personalized Bucket Cooler”,
<http://www.personalizationmall.com/personalized-fishing-bucket-cooler-sit-n-fish-p14084.prod>, last downloaded Sep. 30, 2016.
Gearcoop.com, “Yeti Tank 85 Quart Cooler—Ice Blue”, <http://www.gearcoop.com/yeti-tank-85-quart-cooler-ice-blue.html>, last downloaded Sep. 30, 2016.

* cited by examiner

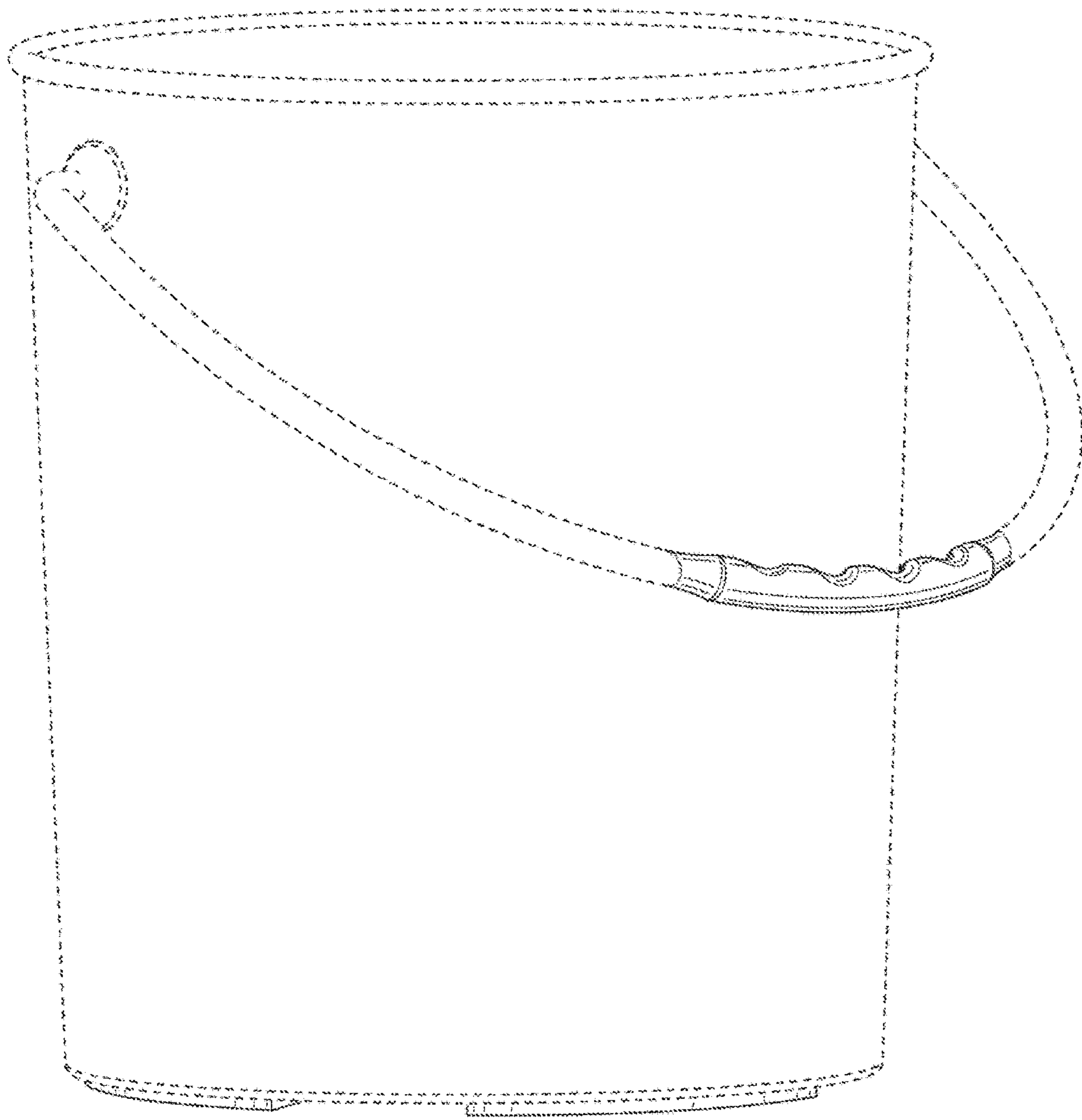


FIG. 1

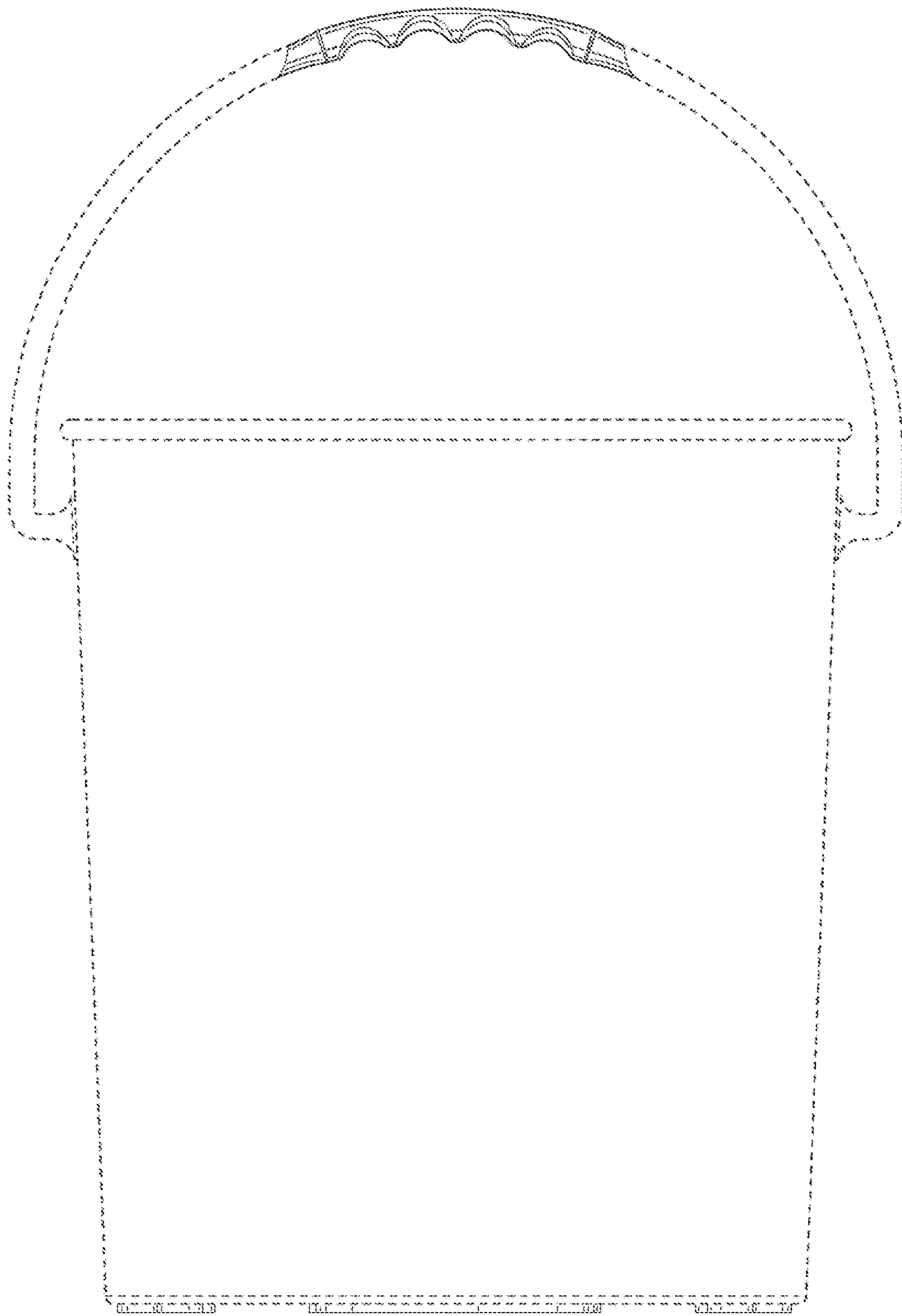


FIG. 2

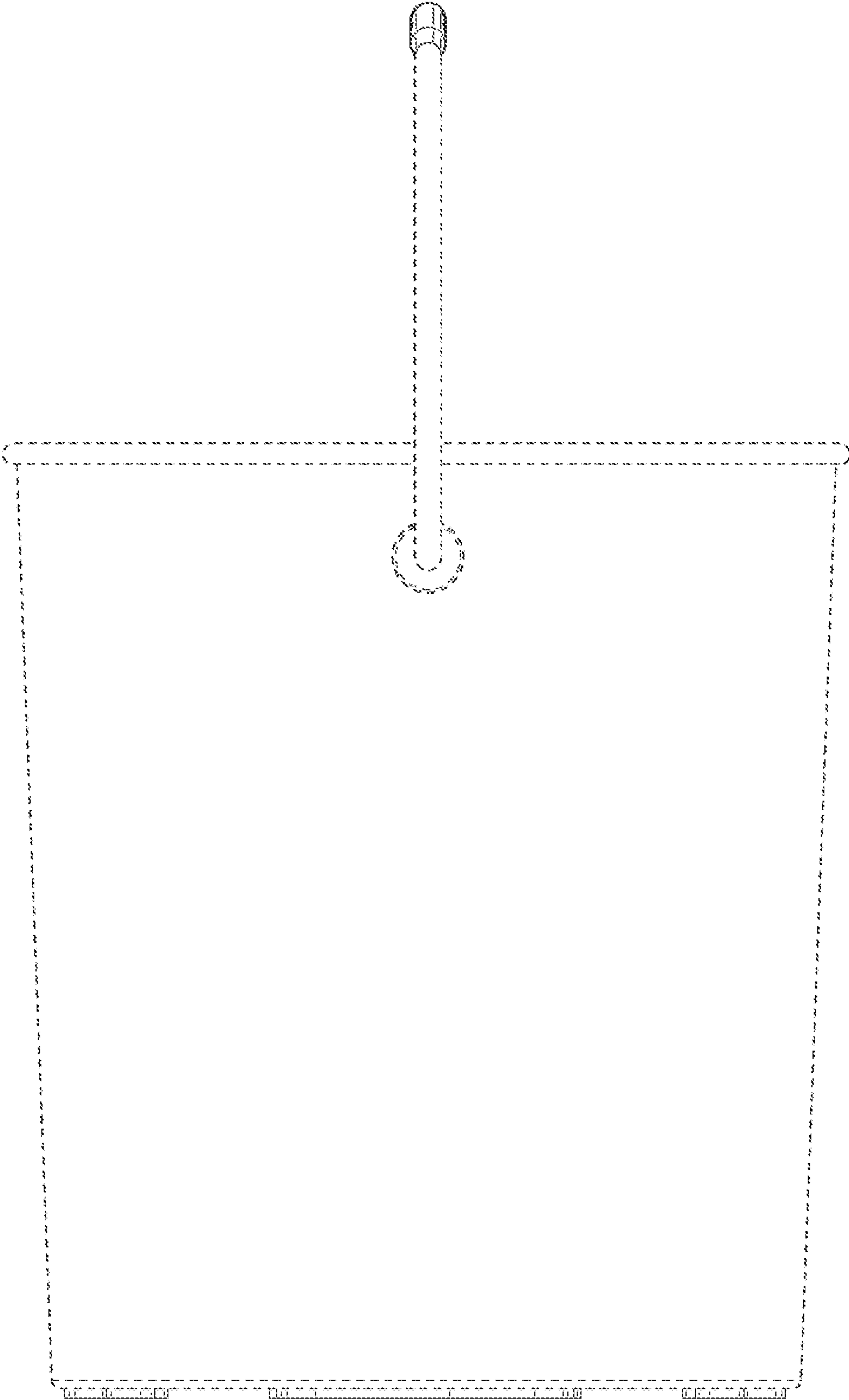


FIG. 3

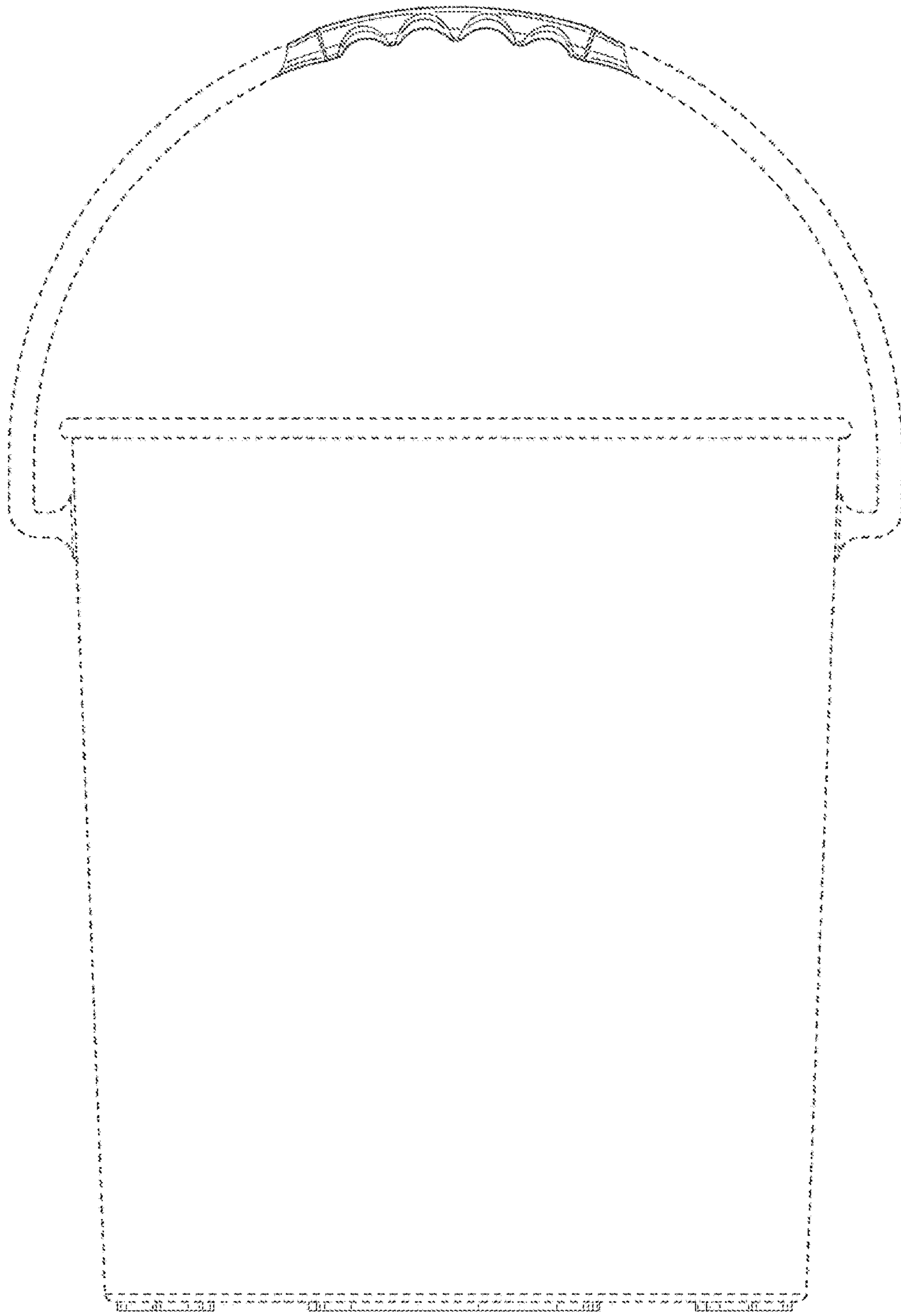


FIG. 4

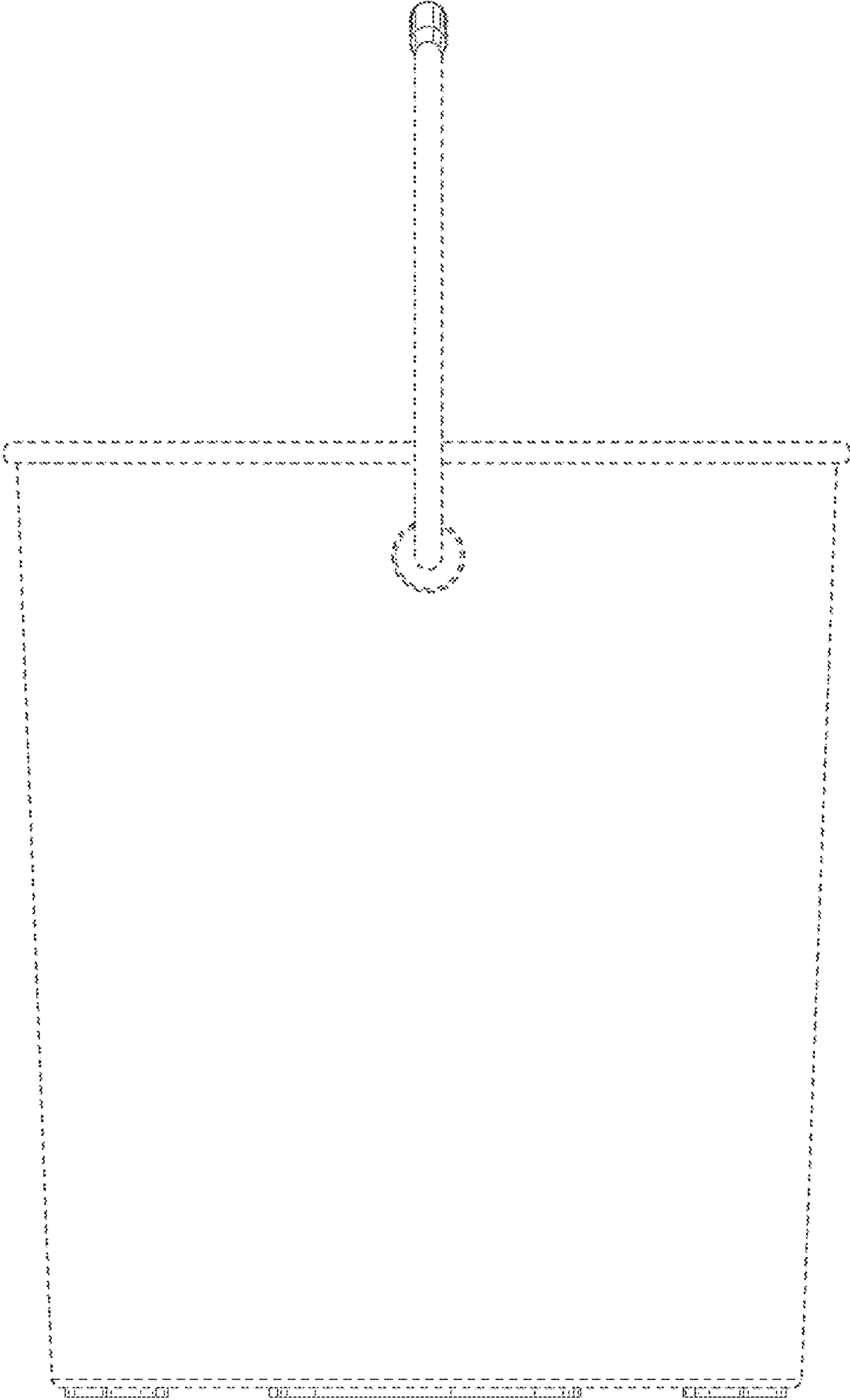


FIG. 5

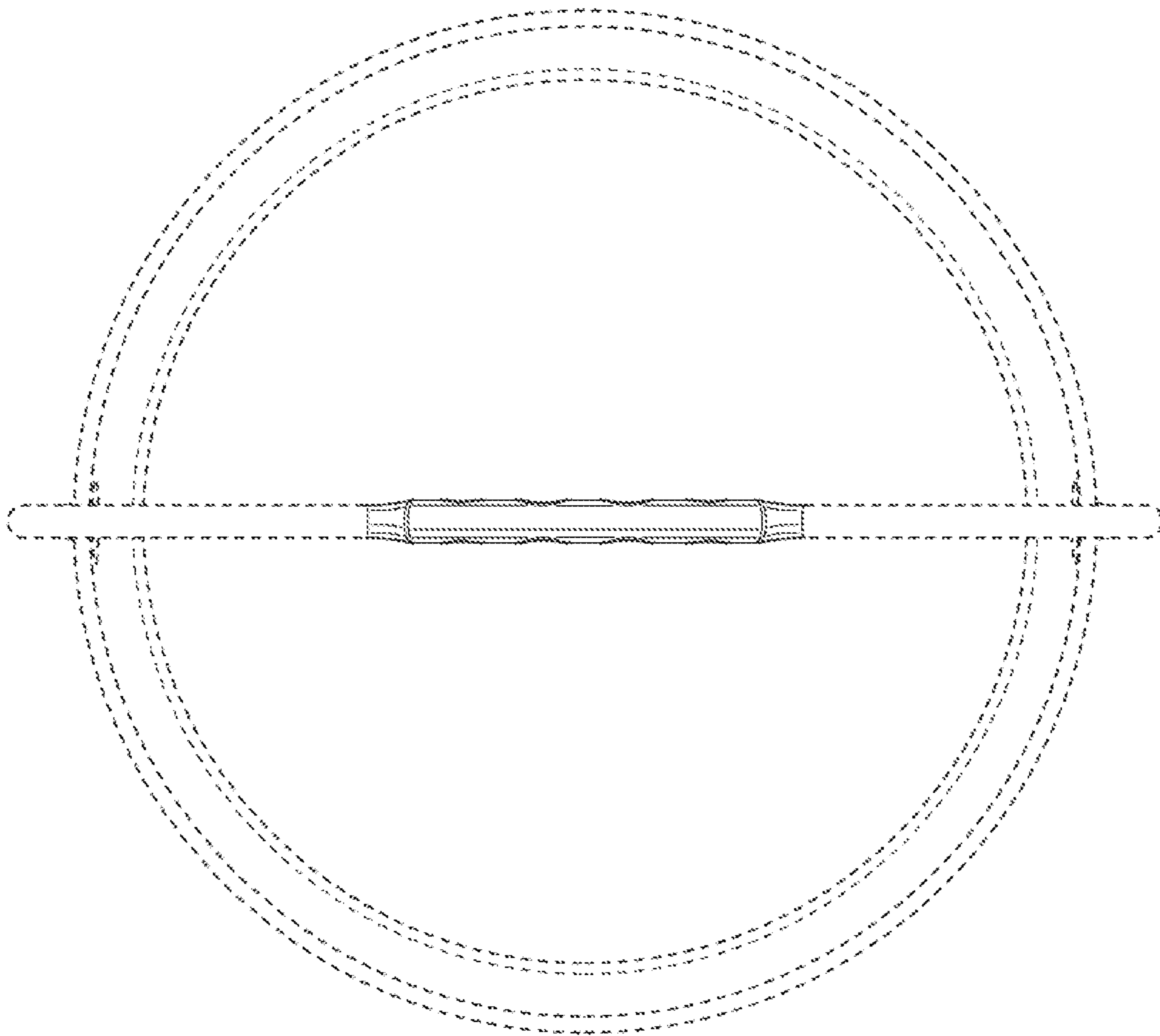


FIG. 6

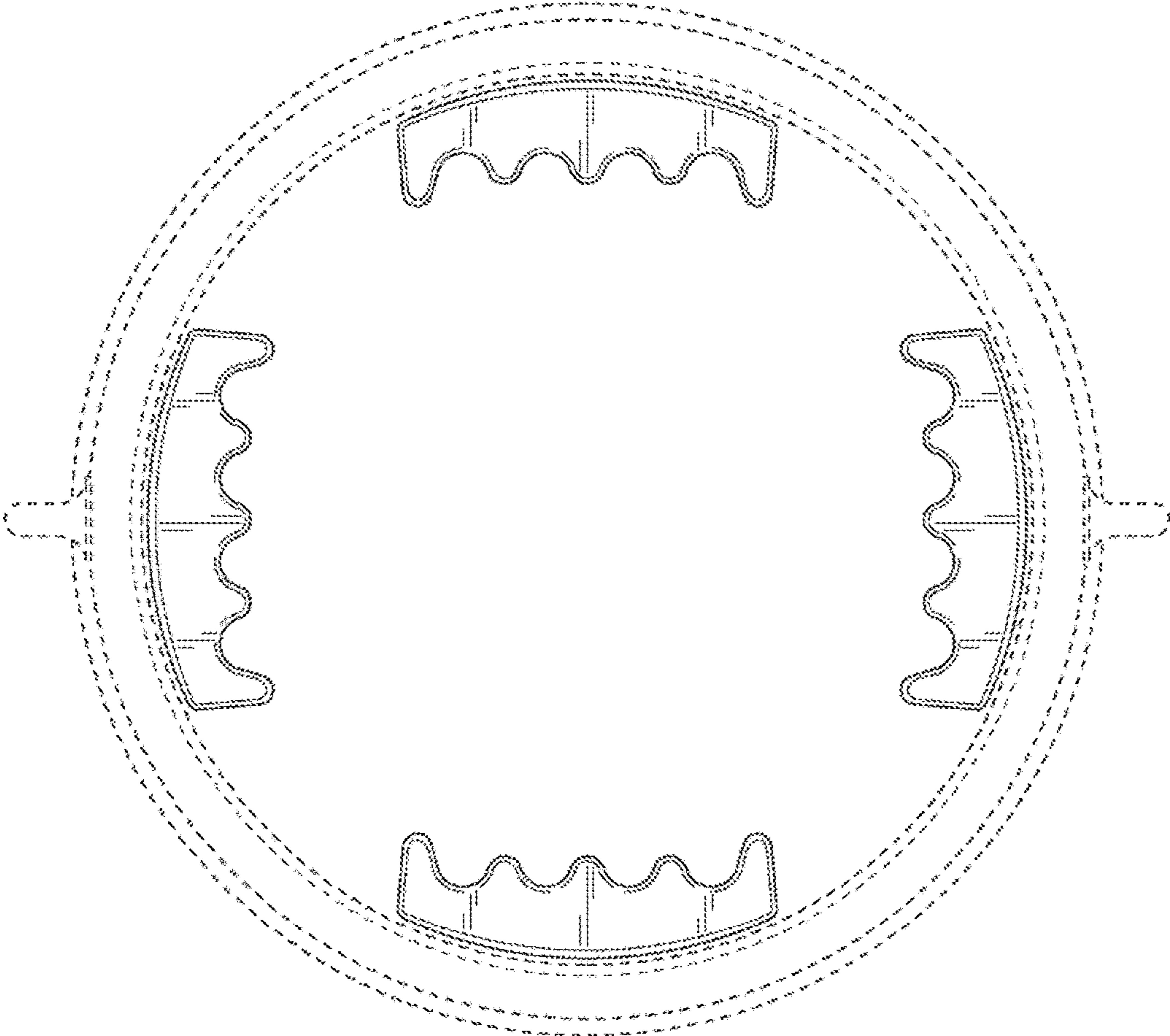


FIG. 7

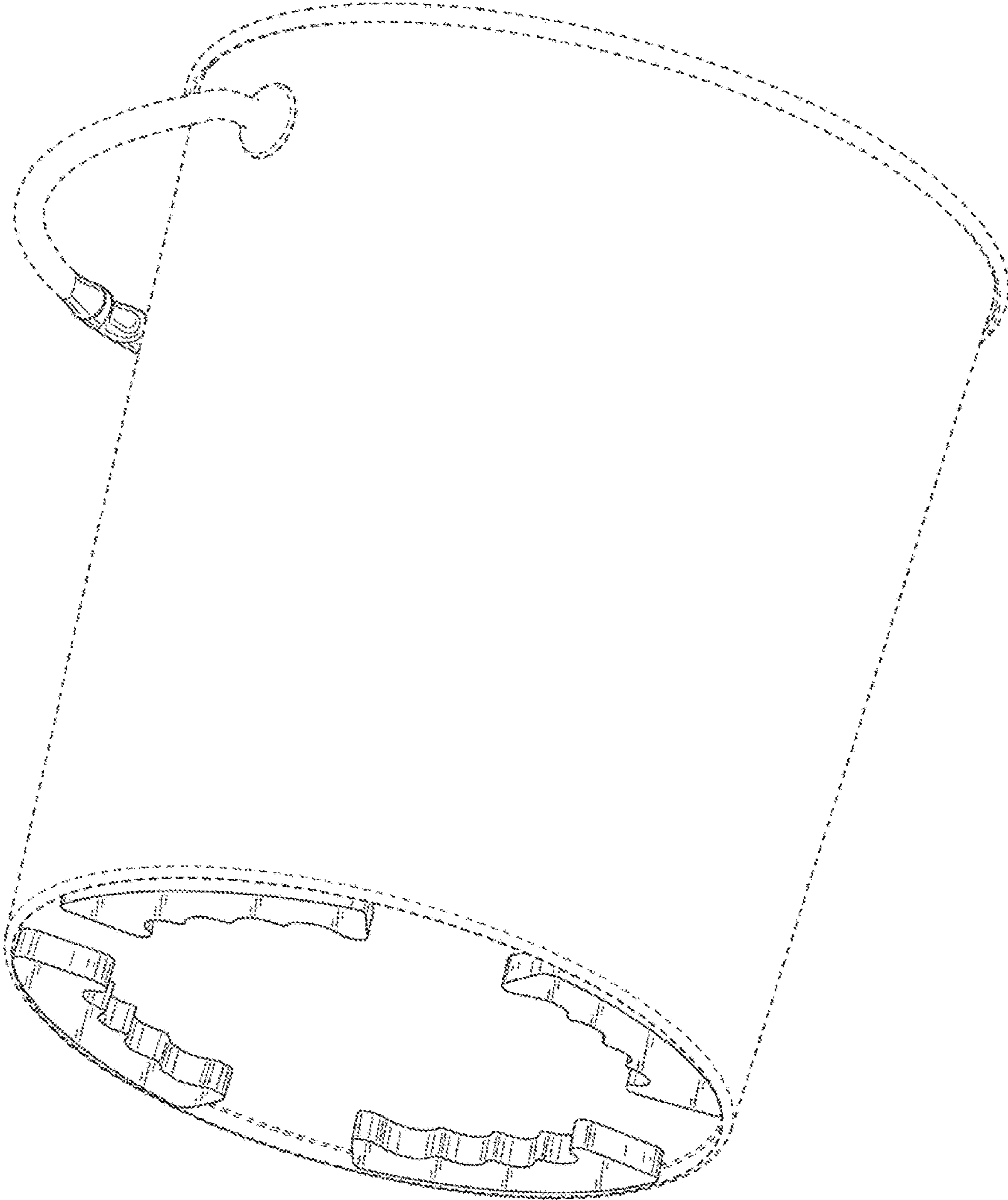


FIG. 8

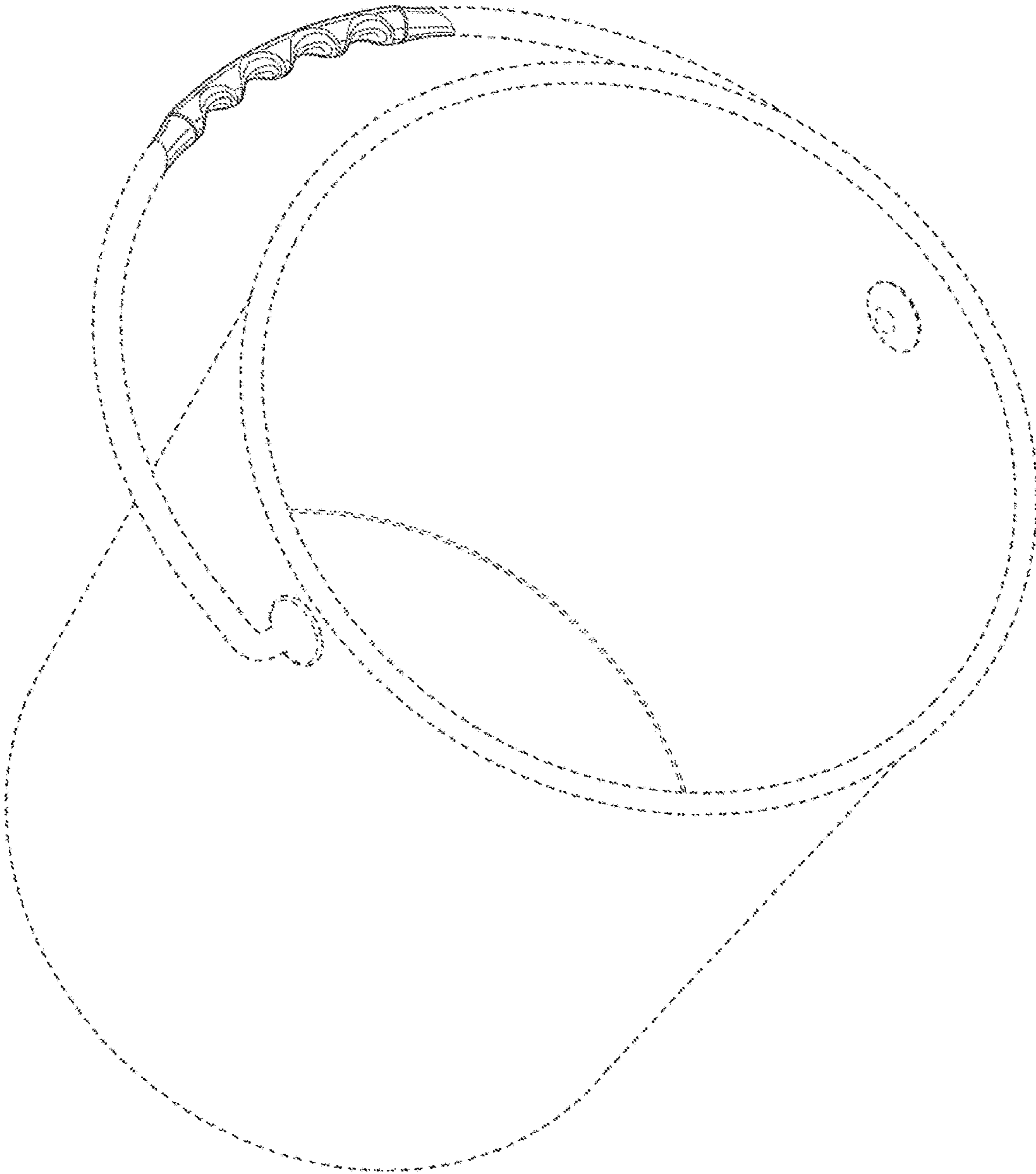


FIG. 9