



US00D836872S

(12) **United States Design Patent** (10) **Patent No.:** **US D836,872 S**
Niedzwecki et al. (45) **Date of Patent:** **** Dec. 25, 2018**

(54) **MOP BODY**

FOREIGN PATENT DOCUMENTS

(71) Applicant: **SharkNinja Operating LLC**, Newton, MA (US)

CN 302882258 * 7/2014
CN 304118083 * 4/2017
JP D1532311 * 8/2015

(72) Inventors: **Scott Benjamin Niedzwecki**, Walpole, MA (US); **Junghwan Chei**, Chestnut Hill, MA (US)

OTHER PUBLICATIONS

(73) Assignee: **SharkNinja Operating LLC**, Needham, MA (US)

Shark® Genius™ Steam Pocket® Mop System—Bed Bath & Beyond, review date Oct. 4, 2016, site visited Feb. 3, 2018, [https://www.bedbathandbeyond.com/store/product/shark-reg-genius-steam-pocket-reg-mop- . . . *](https://www.bedbathandbeyond.com/store/product/shark-reg-genius-steam-pocket-reg-mop-...)

(**) Term: **15 Years**

(Continued)

(21) Appl. No.: **29/566,108**

Primary Examiner — John Windmuller

(22) Filed: **May 26, 2016**

Assistant Examiner — John R Yeh

(51) **LOC (11) Cl.** **07-05**

(74) *Attorney, Agent, or Firm* — Grossman Tucker

(52) **U.S. Cl.**
USPC **D32/50**

Perreault & Pflieger, PLLC

(58) **Field of Classification Search**
USPC D32/40–45, 49–52, 21–25; D4/116, 118, D4/137; D8/107, 10–11
CPC A47L 13/16–13/20; A47L 11/38; A47L 11/00; A01K 61/00; A46B 7/04; A46B 11/06; A46B 13/02; A46B 7/00; A46B 5/00; A46B 13/00; B25G 1/00; B25G 1/04; B25B 23/16

(57) **CLAIM**

The ornamental design for a mop body, as shown and described.

See application file for complete search history.

DESCRIPTION

(56) **References Cited**

U.S. PATENT DOCUMENTS

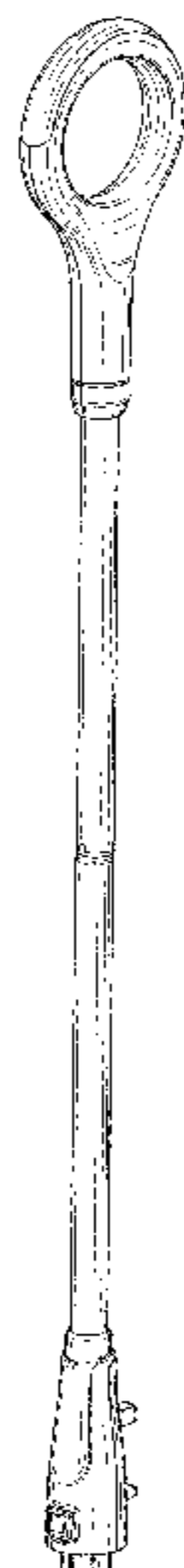
D450,556 S * 11/2001 Biller D15/139
D531,770 S * 11/2006 Luebbering D32/22
D561,959 S * 2/2008 Hahn D32/22
D579,165 S * 10/2008 Handy D32/40
D591,921 S * 5/2009 Rosenzweig A47L 13/225
D657,517 S * 4/2012 McGee D32/45
D657,518 S * 4/2012 McGee D32/45

FIG. 1 is a perspective view of a mop body in accordance with our design;
FIG. 2 is a front view of the mop body in accordance with our design;
FIG. 3 is a back view of the mop body in accordance with our design;
FIG. 4 is a first side view of the mop body in accordance with our design;
FIG. 5 is a second side view of the mop body in accordance with our design;
FIG. 6 is a bottom view of the mop body in accordance with our design; and,
FIG. 7 is a top view of the mop body in accordance with our design.

The broken lines are included for the purpose of illustrating the unclaimed portions of the article and form no part of the claim.

(Continued)

1 Claim, 4 Drawing Sheets



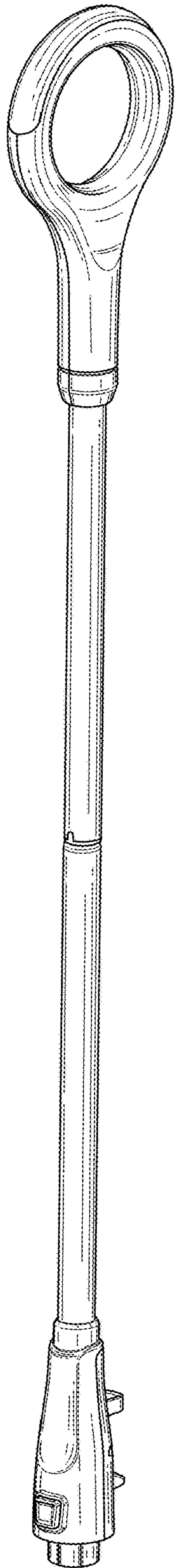


FIG. 1

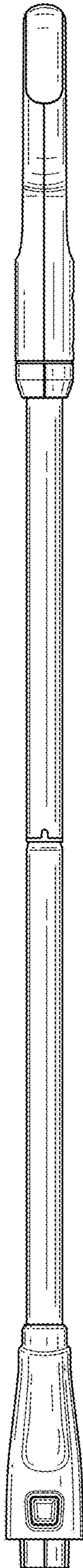


FIG. 2

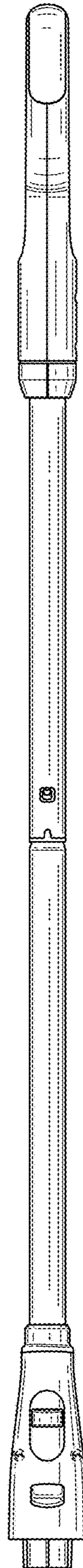


FIG. 3

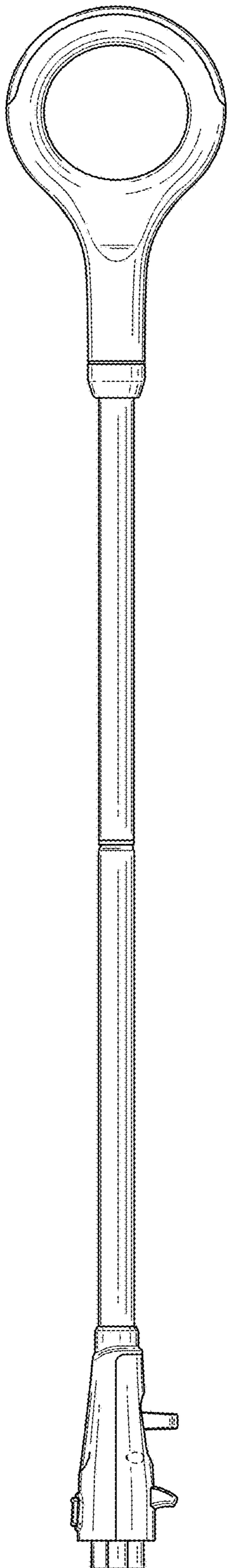


FIG. 4

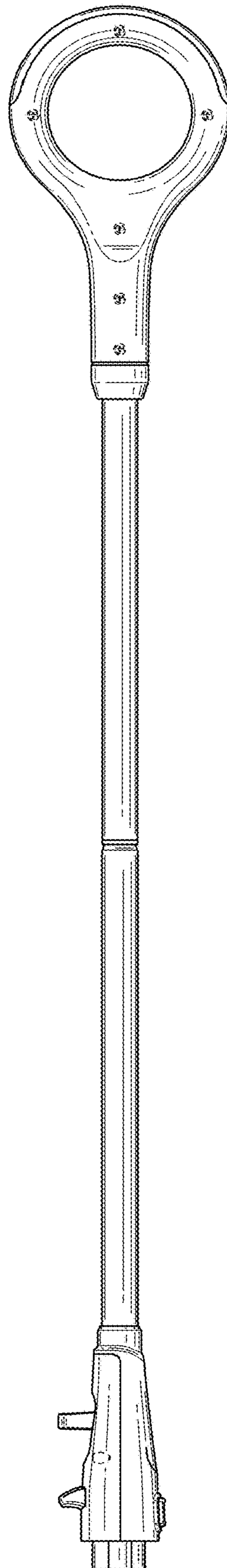


FIG. 5

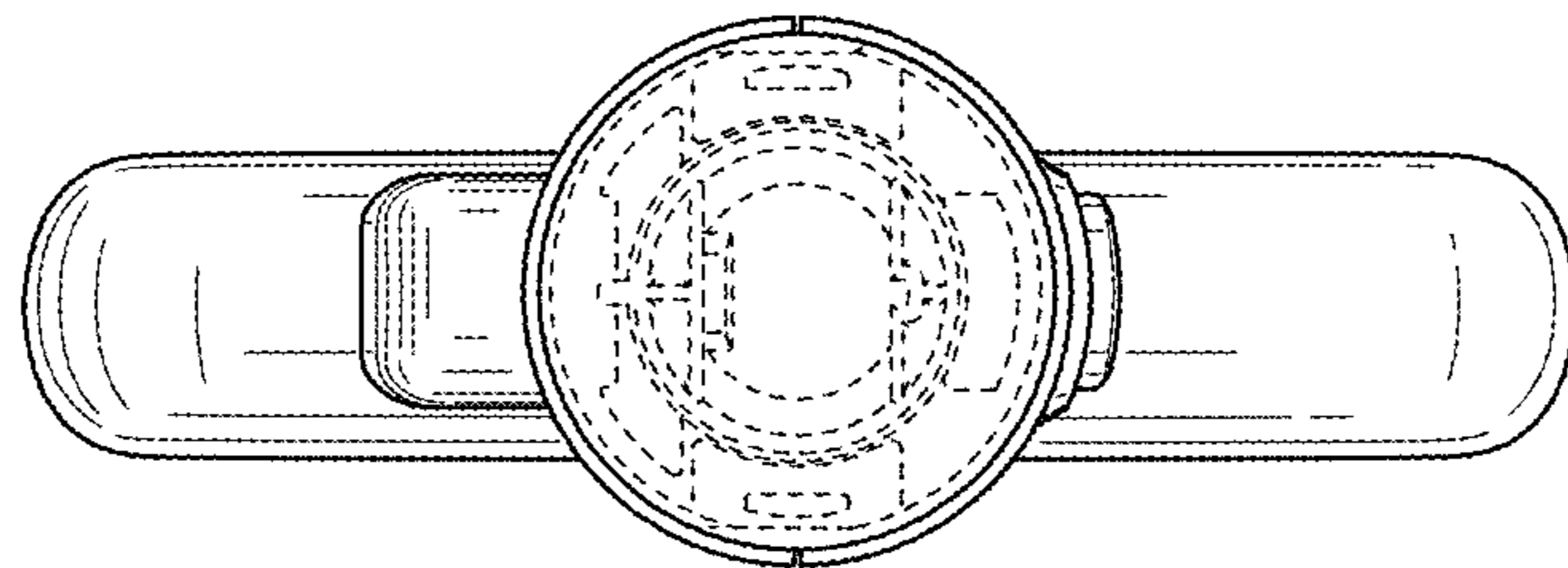


FIG. 6

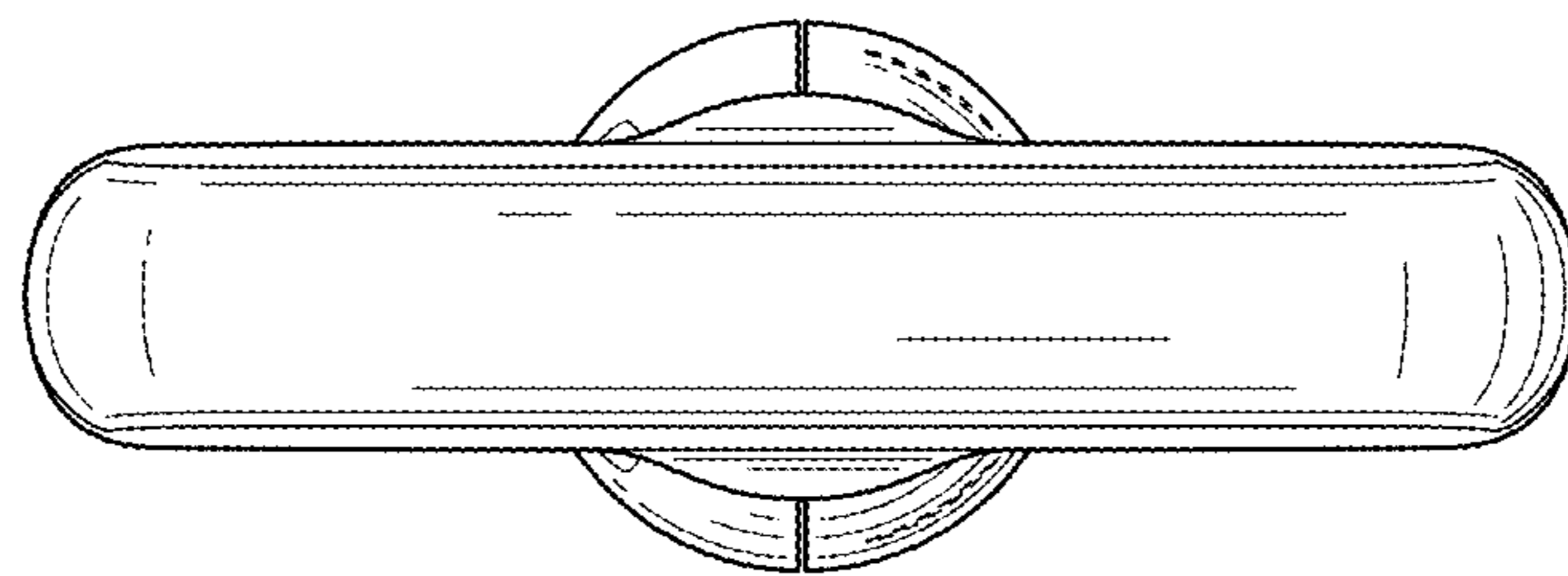


FIG. 7