



US00D836866S

(12) **United States Design Patent**
Wroblewski et al.

(10) **Patent No.:** **US D836,866 S**

(45) **Date of Patent:** **** Dec. 25, 2018**

(54) **HAND-CARRIABLE VACUUM CLEANER**

(71) Applicant: **BISSELL Homecare, Inc.**, Grand Rapids, MI (US)

(72) Inventors: **Dennis J. Wroblewski**, Grand Rapids, MI (US); **Adam G. Carr**, Ada, MI (US)

(73) Assignee: **BISSELL Homecare, Inc.**, Grand Rapids, MI (US)

(**) Term: **15 Years**

(21) Appl. No.: **29/609,055**

(22) Filed: **Jun. 28, 2017**

(51) **LOC (11) Cl.** **15-05**

(52) **U.S. Cl.**
USPC **D32/31**

(58) **Field of Classification Search**
USPC D32/21–24, 31, 34, 17–18
CPC A47L 5/24; A47L 5/22; A47L 5/28; A47L 5/225; A47L 5/362; A47L 5/365; A47L 9/2842; A47L 9/24; A47L 9/248
See application file for complete search history.

(56) **References Cited**

U.S. PATENT DOCUMENTS

D662,271 S * 6/2012 Conrad D32/31
D685,961 S * 7/2013 Bilger D32/31

D693,975 S * 11/2013 Santiago D32/31
9,009,914 B2 * 4/2015 Tran A47L 9/1633
15/353
D739,104 S * 9/2015 Johnson D32/31
D740,505 S * 10/2015 Gidwell D32/31
9,402,516 B2 * 8/2016 Pilch A47L 9/1691
9,480,373 B2 * 11/2016 Conrad A47L 5/225
D792,669 S * 7/2017 Johnson D32/31
D804,120 S * 11/2017 Bond D32/31

* cited by examiner

Primary Examiner — Ruth McInroy

(74) *Attorney, Agent, or Firm* — McGarry Bair PC

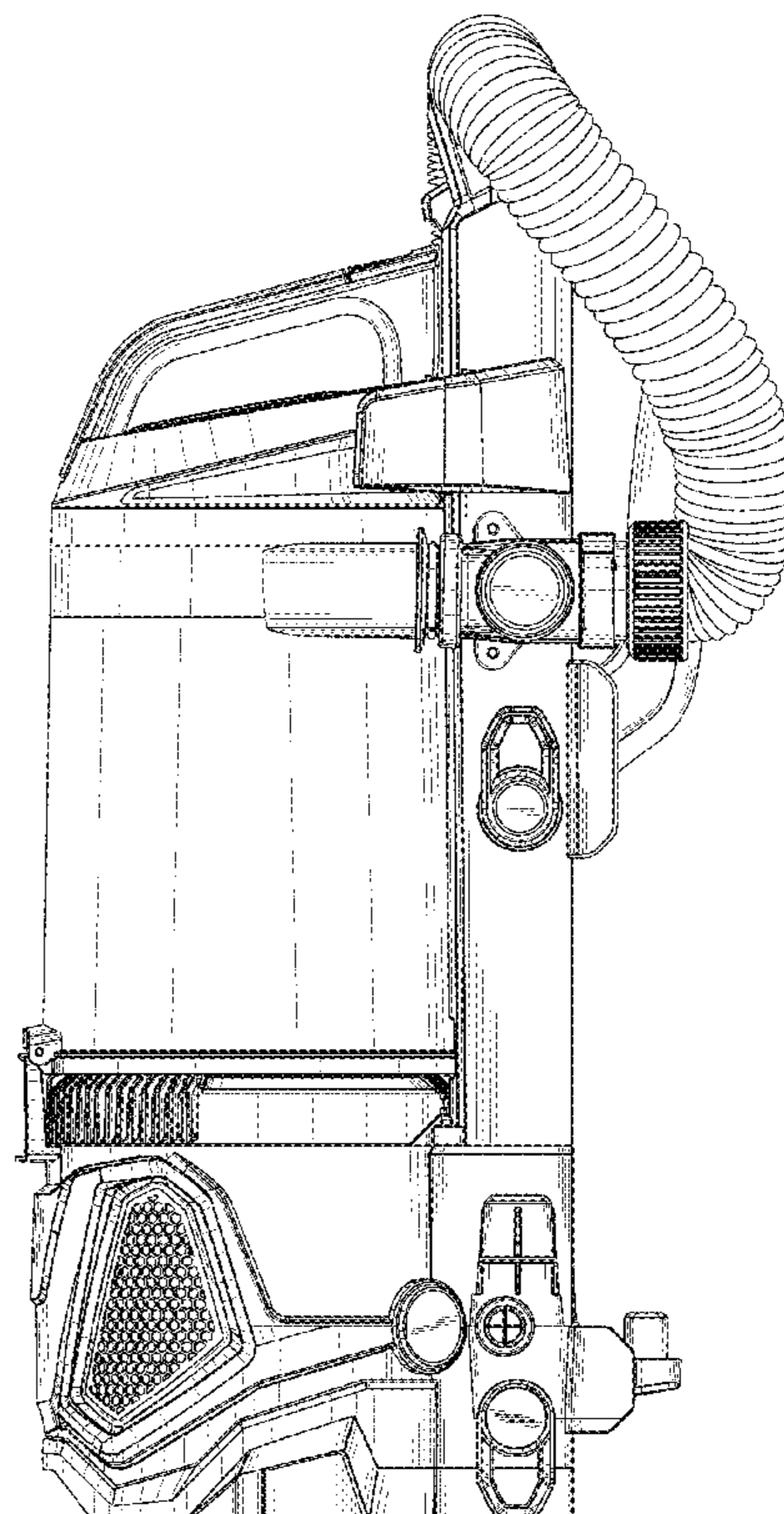
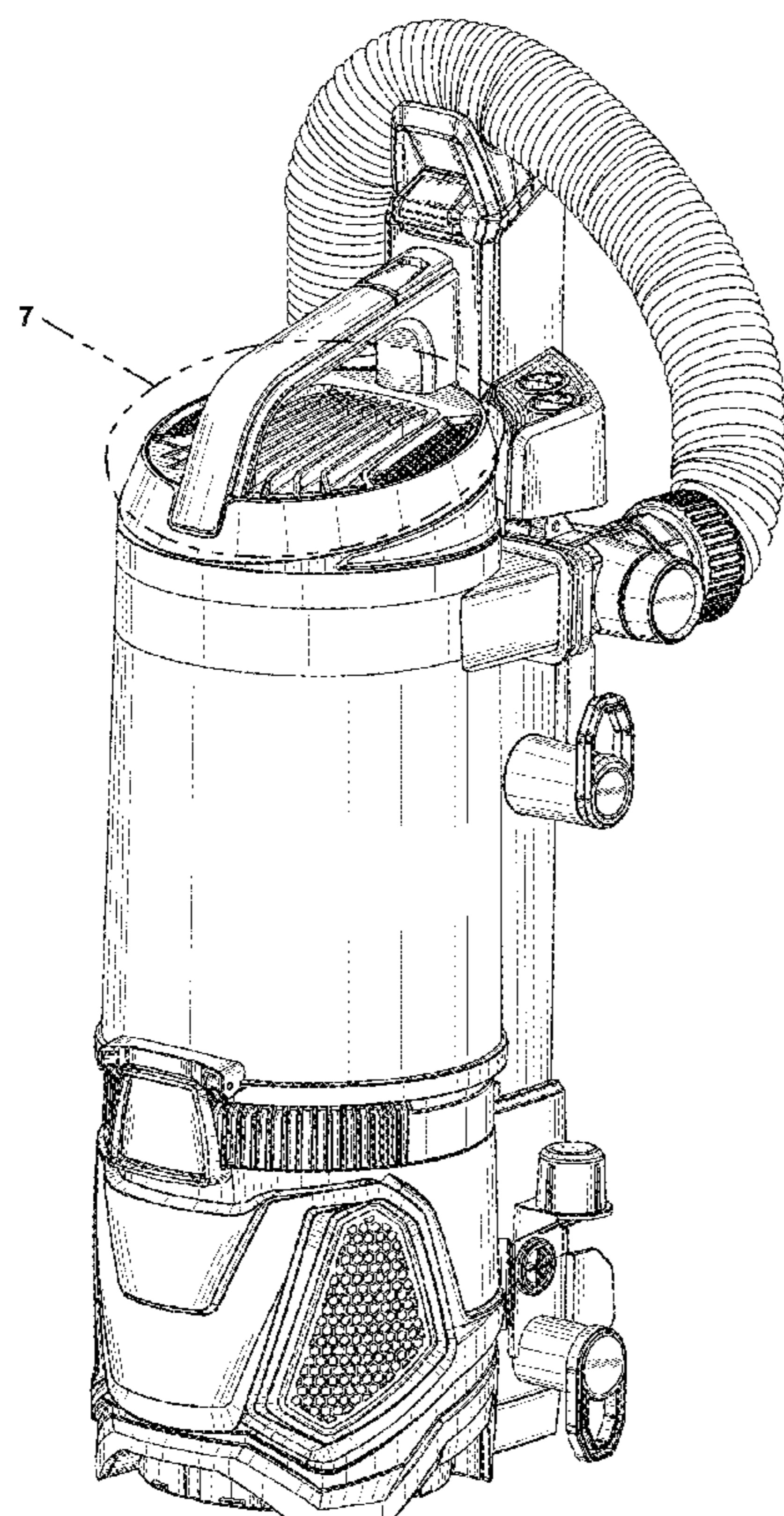
(57) **CLAIM**

The ornamental design for a hand-carriable vacuum cleaner, as shown and described.

DESCRIPTION

FIG. 1 is a front, right perspective view a hand-carriable vacuum cleaner showing our new design;
FIG. 2 is a front view thereof;
FIG. 3 is a rear view thereof;
FIG. 4 is a left side view thereof;
FIG. 5 is a right side view thereof;
FIG. 6 is an enlarged top view thereof.
FIG. 7 is an enlarged view of the detail in FIG. 1; and,
FIG. 8 is an enlarged view of the detail in FIG. 2.

1 Claim, 8 Drawing Sheets



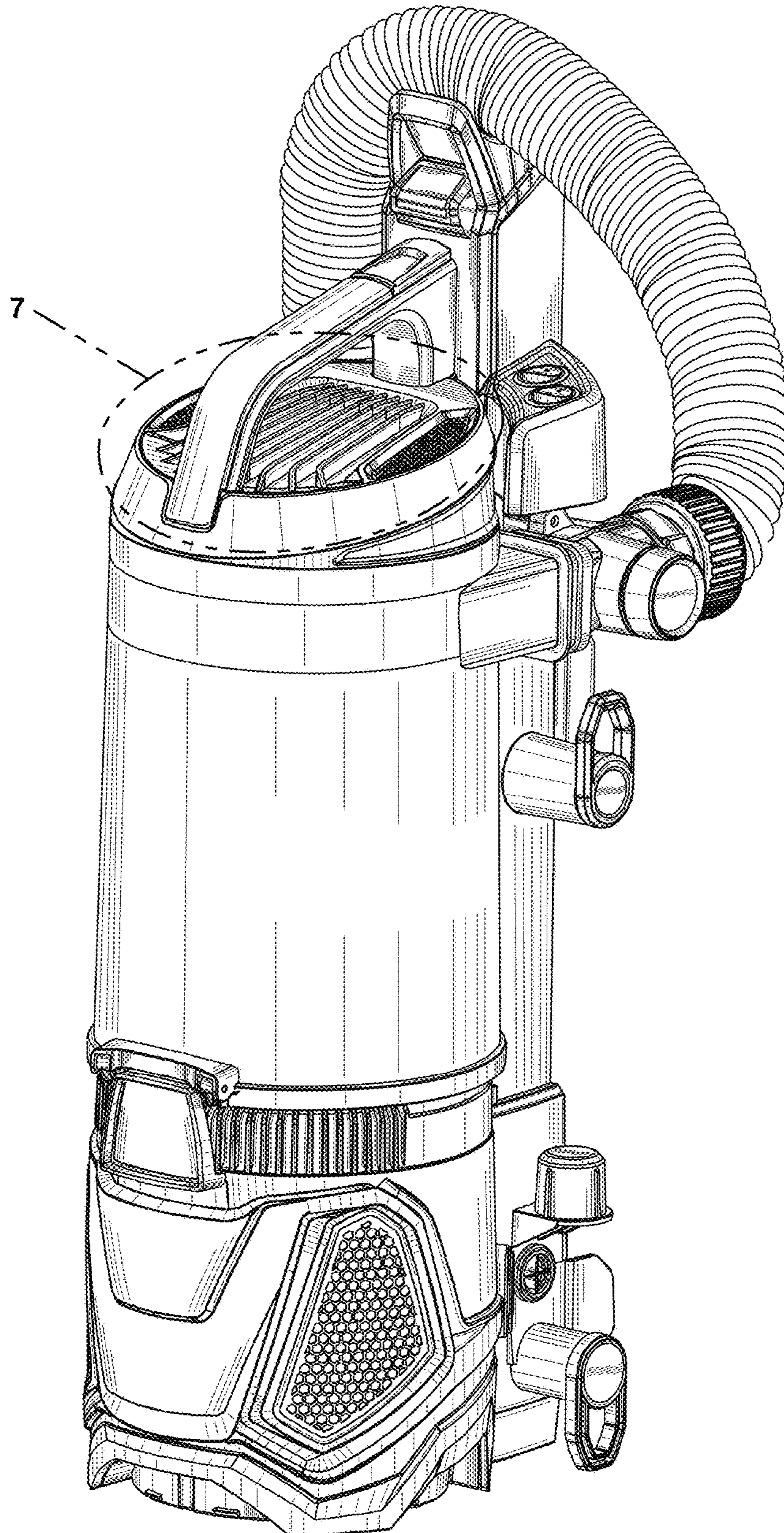


FIG. 1

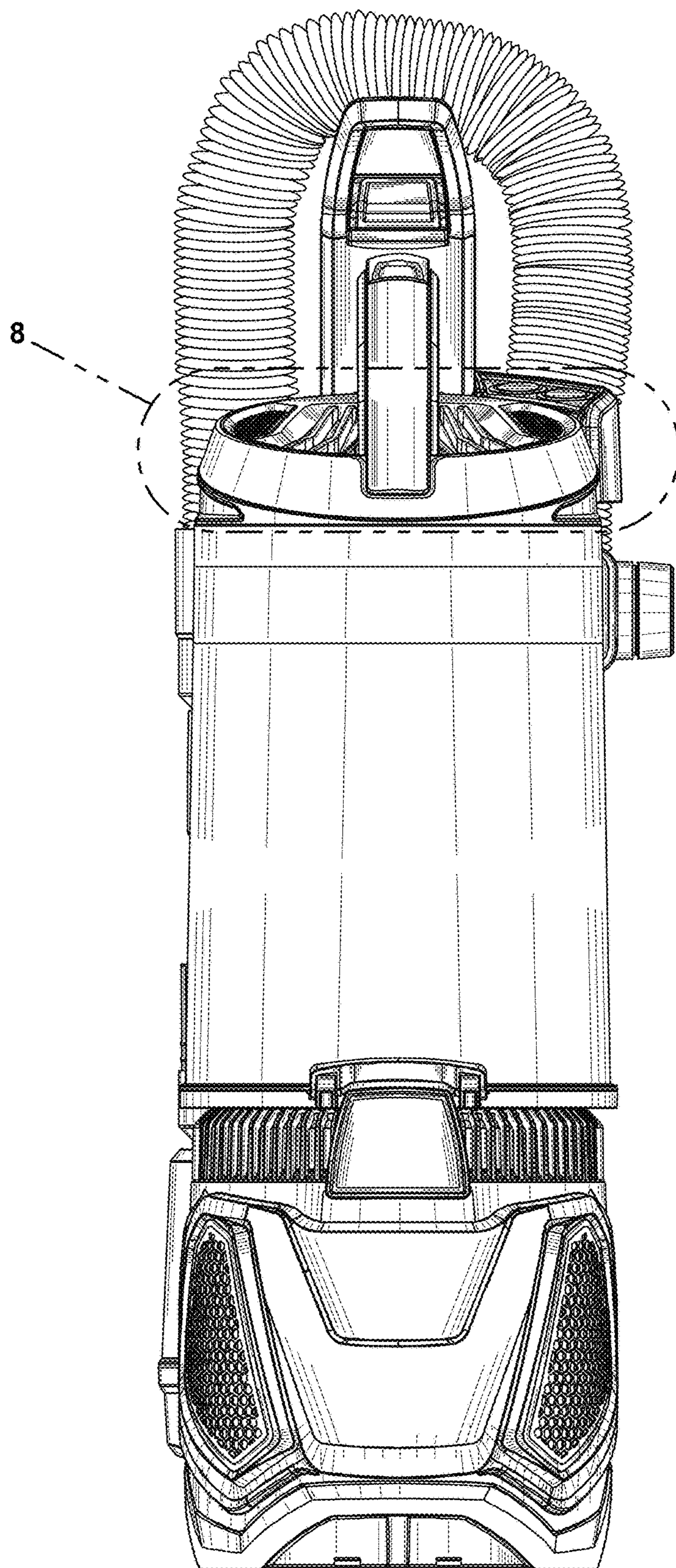


FIG. 2

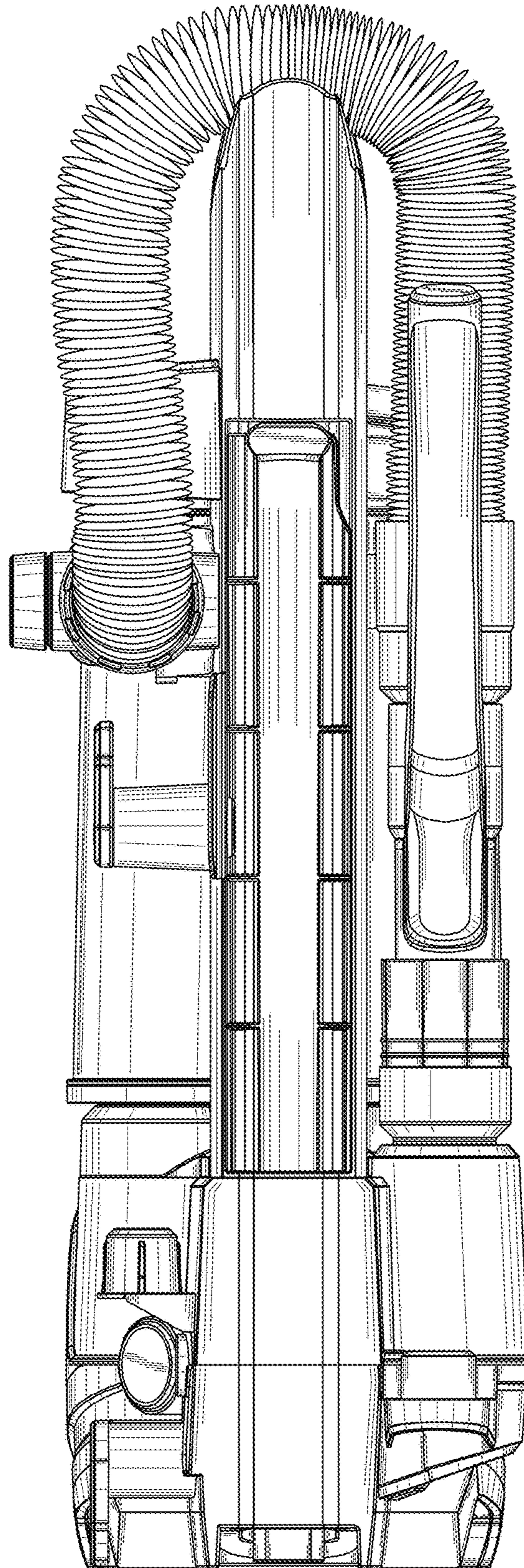


FIG. 3

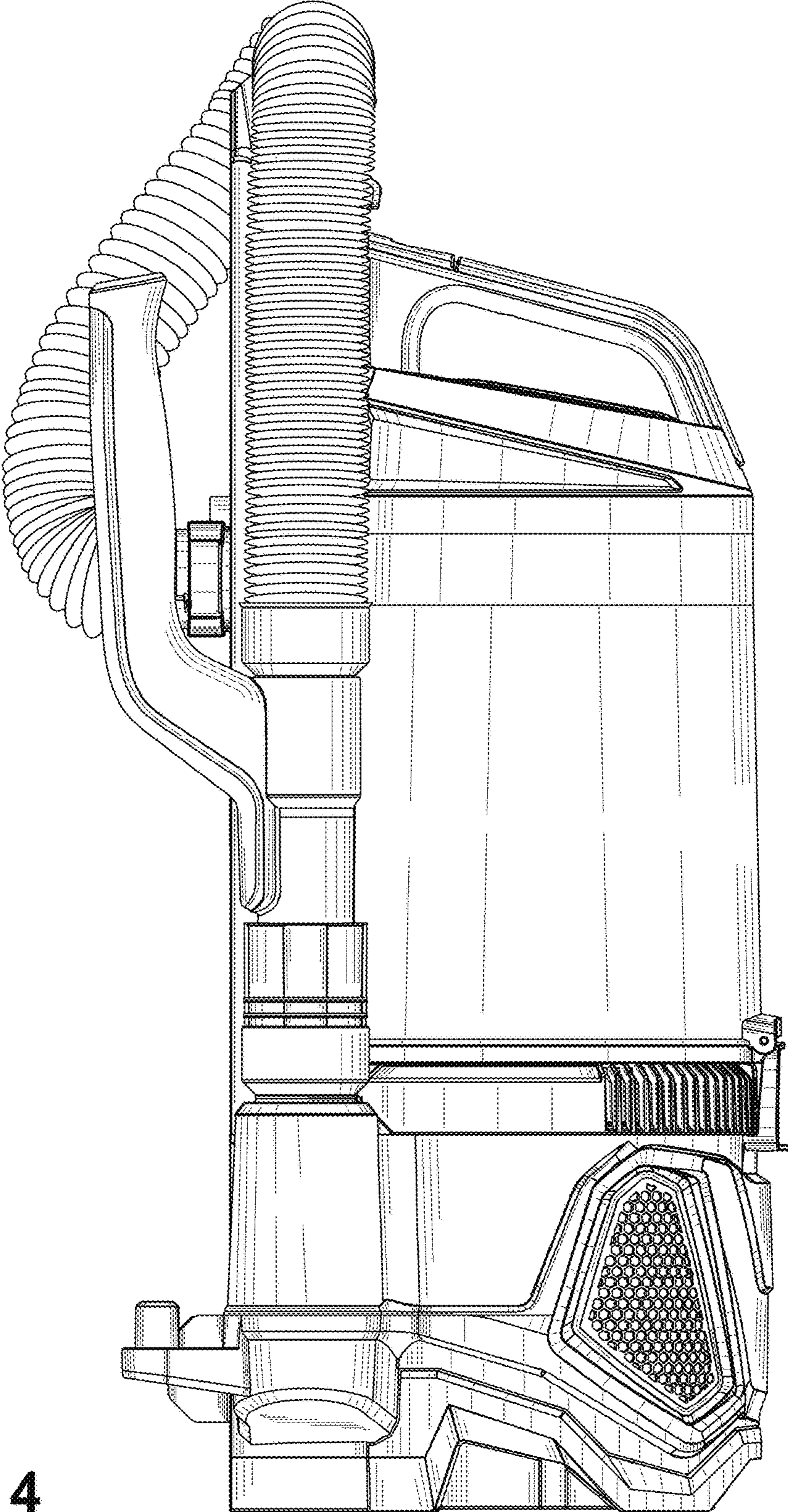


FIG. 4

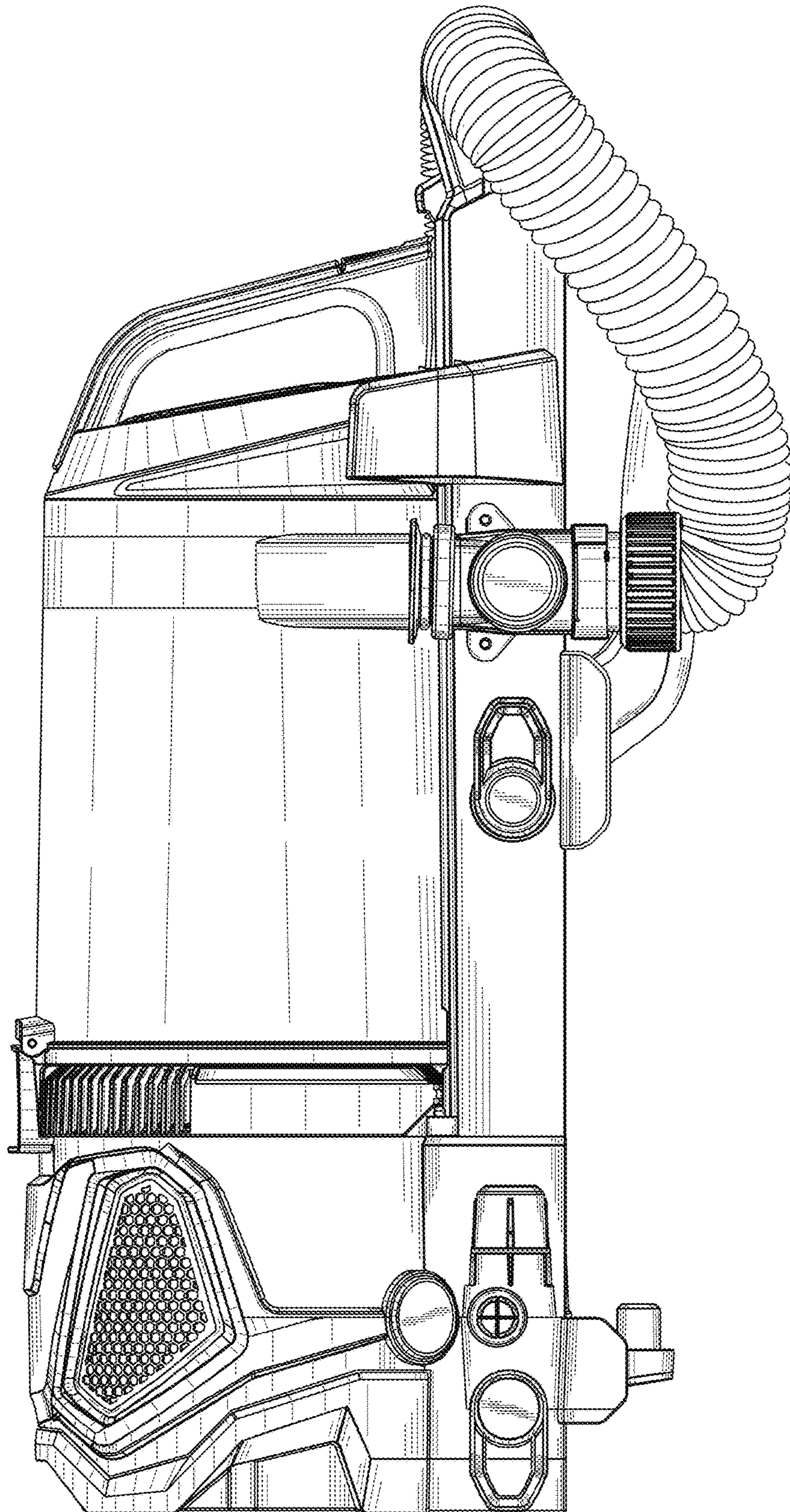


FIG. 5

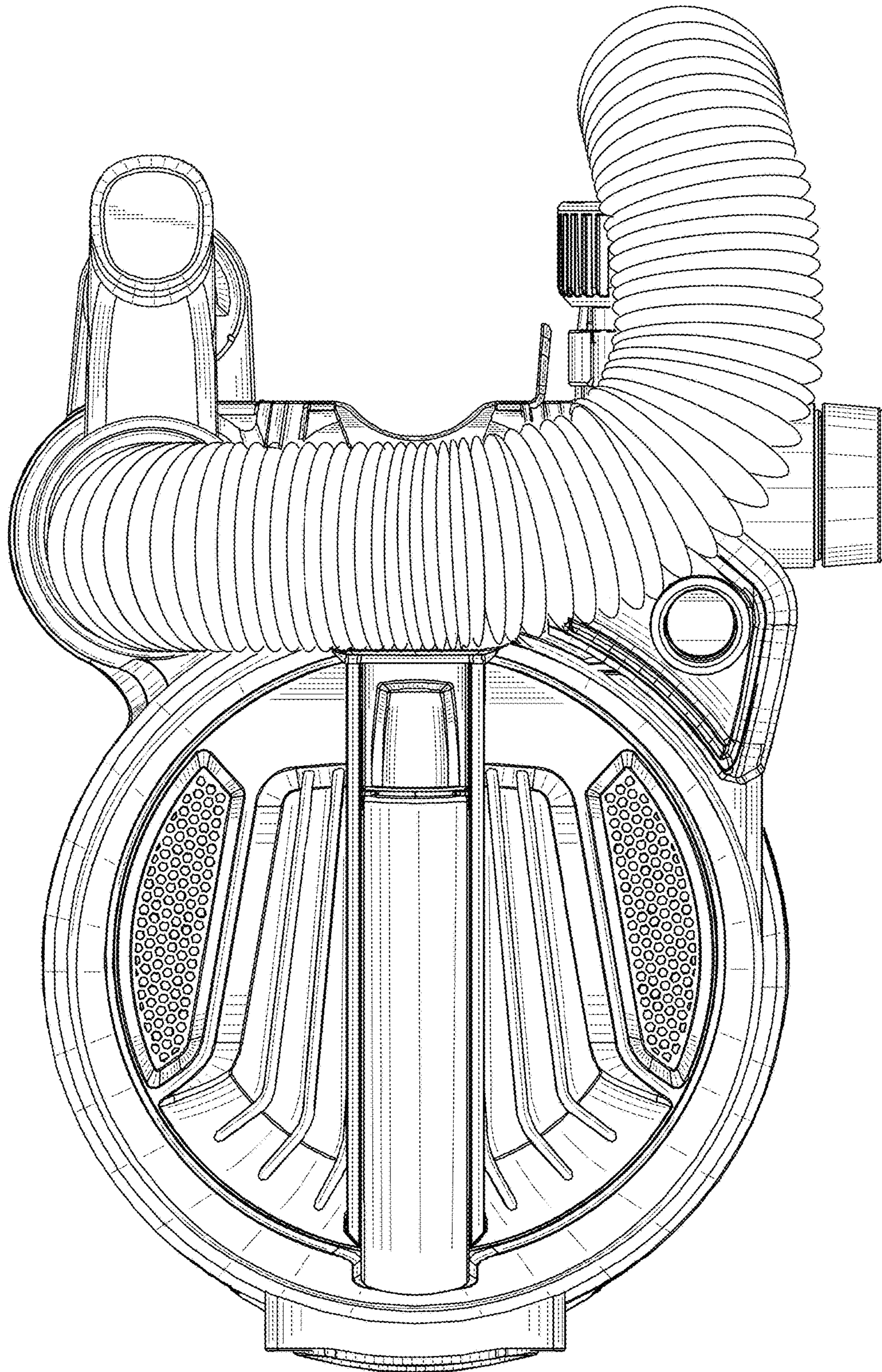


FIG. 6

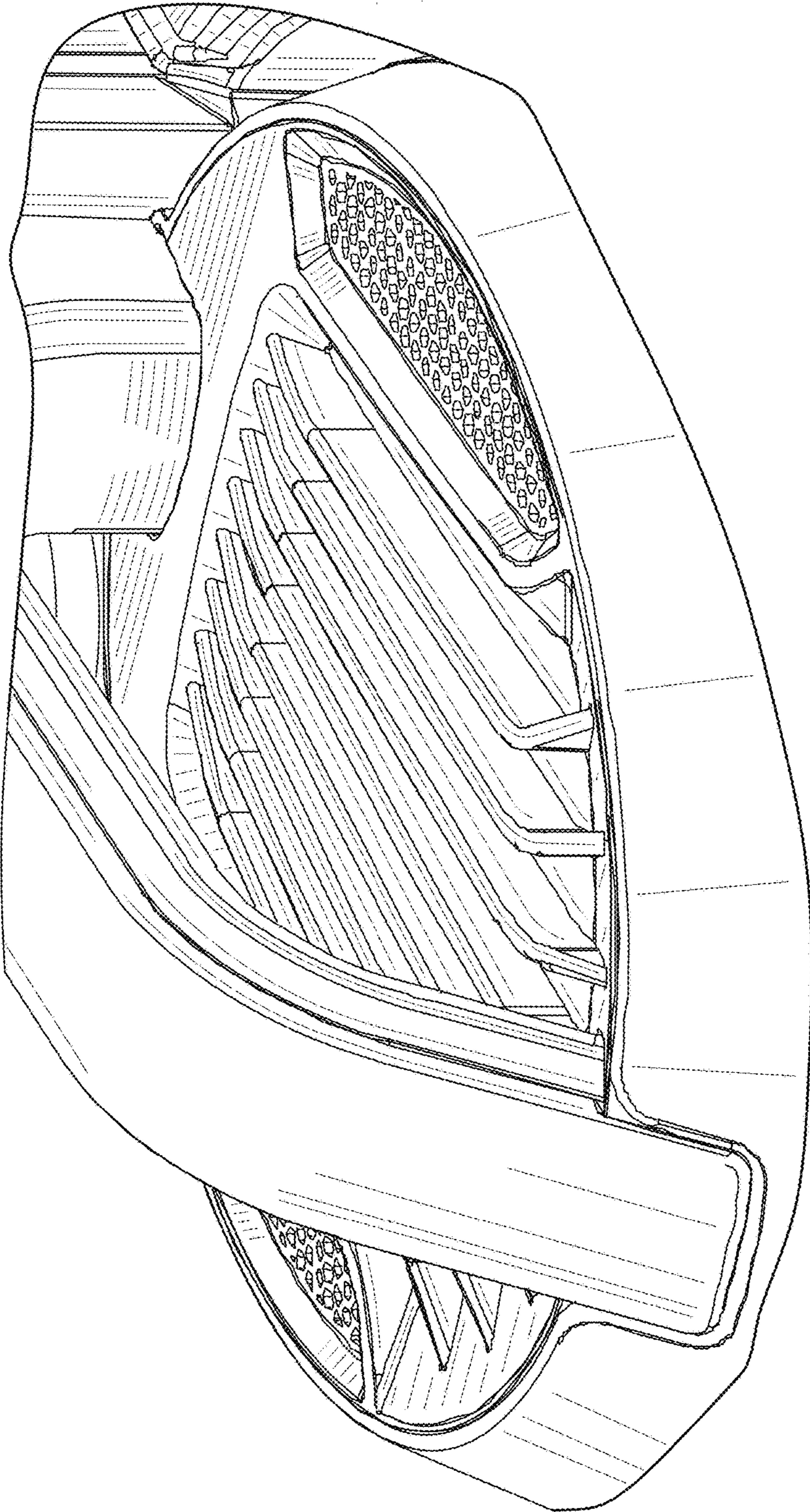


FIG. 7

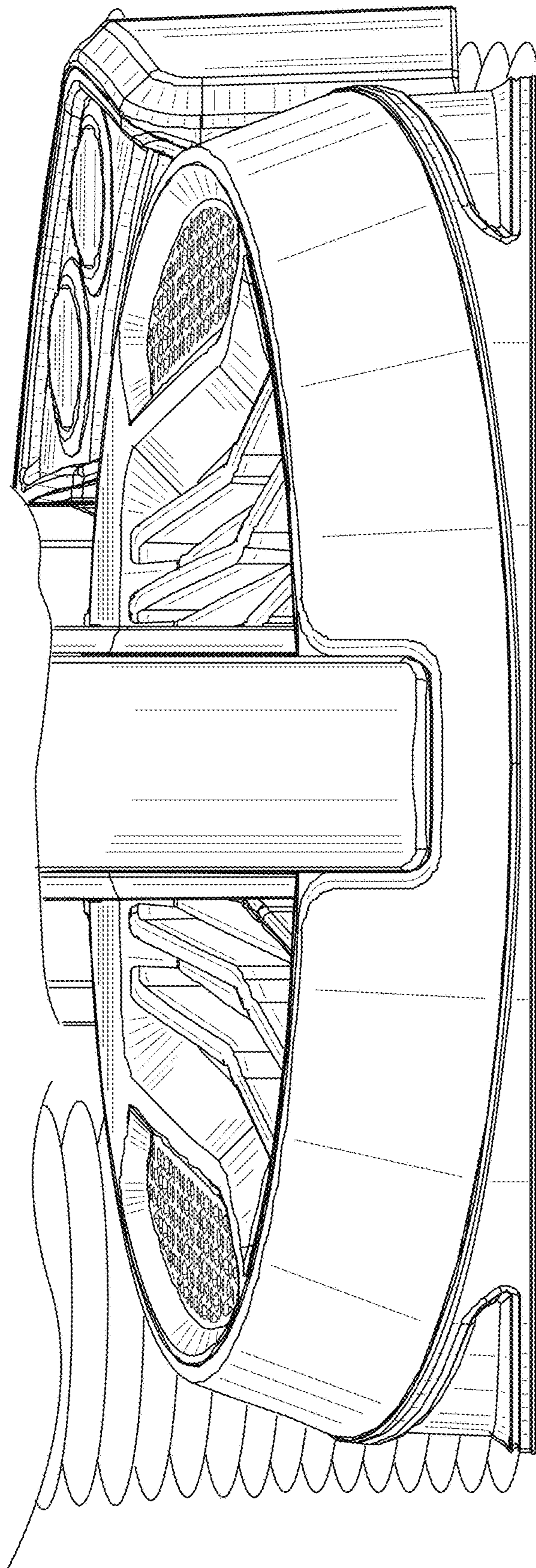


FIG. 8