



US00D836865S

(12) **United States Design Patent** (10) **Patent No.:** **US D836,865 S**
Niedzwecki et al. (45) **Date of Patent:** **** Dec. 25, 2018**

(54) **ADJUSTABLE WAND FOR A VACUUM CLEANER**

(71) Applicant: **SHARKNINJA OPERATING LLC**,
Newton, MA (US)

(72) Inventors: **Scott Niedzwecki**, East Walpole, MA (US); **Junghwan Chei**, Chestnut Hill, MA (US); **Owen Johnson**, Needham, MA (US); **Catriona Sutter**, Brookline, MA (US); **Lee Cottrell**, Newton, MA (US)

(73) Assignee: **SharkNinja Operating LLC**,
Needham, MA (US)

(**) Term: **15 Years**

(21) Appl. No.: **29/603,074**

(22) Filed: **May 5, 2017**

(51) **LOC (11) Cl.** **15-05**

(52) **U.S. Cl.**
USPC **D32/31**

(58) **Field of Classification Search**
USPC D32/21-24, 31, 34, 17-18
CPC A47L 5/24; A47L 5/22; A47L 5/28; A47L 5/225; A47L 5/362; A47L 5/365; A47L 9/2842; A47L 9/24; A47L 9/248; A47L 9/16

See application file for complete search history.

(56) **References Cited**

U.S. PATENT DOCUMENTS

D348,548 S	7/1994	Pino	
6,209,925 B1 *	4/2001	Edin	A47L 9/24 15/411
D453,866 S *	2/2002	Nighy	D32/31
D473,687 S	4/2003	Kaffenberger	
D480,848 S *	10/2003	Smith	D32/31
6,695,352 B2	2/2004	Park et al.	

D502,578 S *	3/2005	Roschi	D32/31
D524,498 S	7/2006	Luebbering et al.	
D561,415 S *	2/2008	Tavano	D32/34
D566,356 S	4/2008	Medema	
D569,564 S	5/2008	Labarbera	
D594,612 S	6/2009	Umeda	
D597,268 S	7/2009	Santiago et al.	
D635,728 S	4/2011	Fjellman	
7,945,988 B2 *	5/2011	Gordon	A47L 5/22 15/319
D642,754 S *	8/2011	Fjellman	D32/31
D644,384 S *	8/2011	Santiago	D32/34
D668,010 S	9/2012	Stickney et al.	
D674,158 S *	1/2013	Kim	D32/31
D693,977 S *	11/2013	Chu	D32/34

(Continued)

Primary Examiner — Ruth McInroy

(74) *Attorney, Agent, or Firm* — Grossman Tucker
Perreault & Pflieger, PLLC

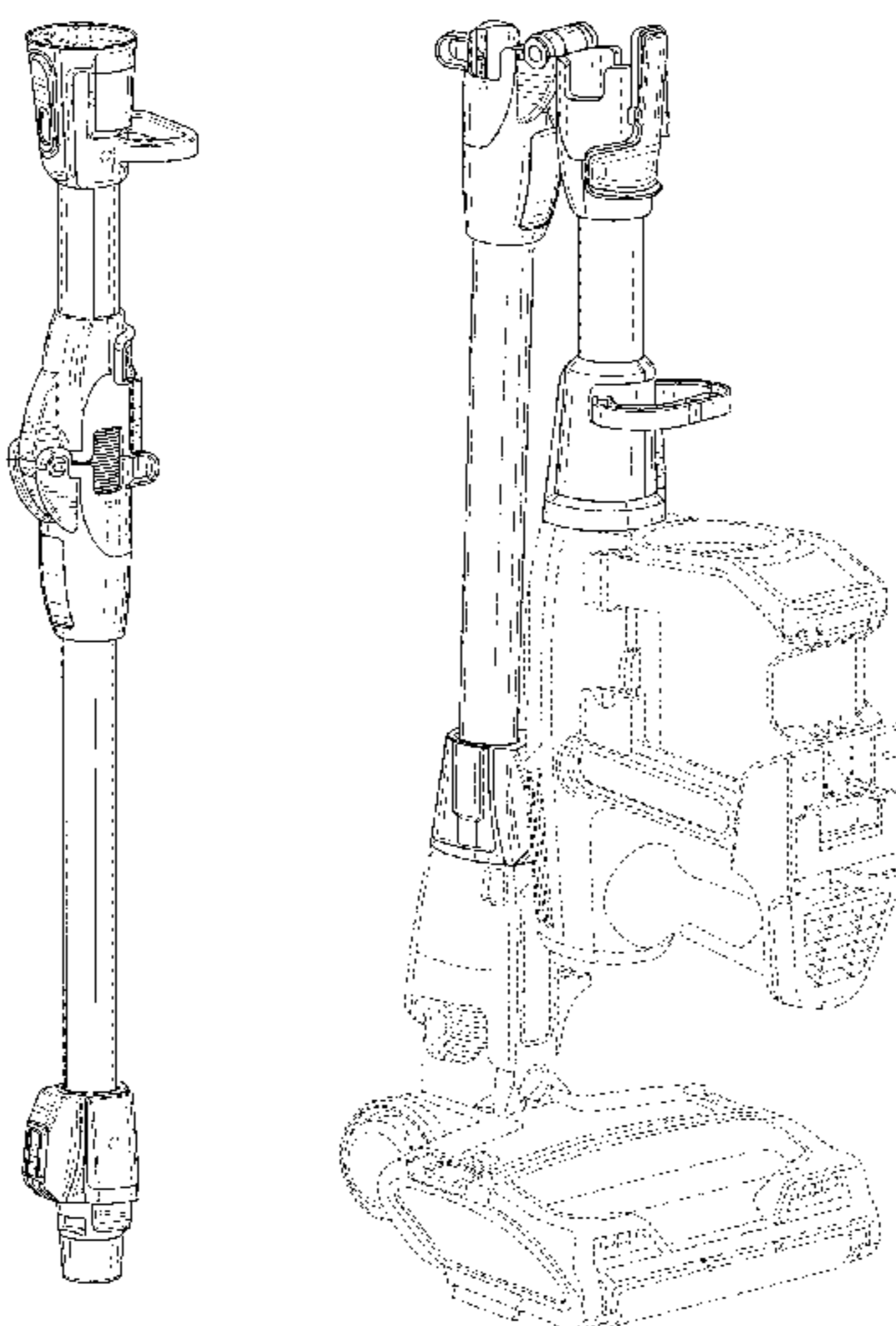
(57) **CLAIM**

The ornamental design for an adjustable wand for a vacuum cleaner, as shown and described.

DESCRIPTION

FIG. 1 is a perspective view of an adjustable wand for a vacuum cleaner showing our new design;
FIG. 2 is a front view thereof;
FIG. 3 is a back view thereof;
FIG. 4 is a left side view thereof;
FIG. 5 is a right side view thereof;
FIG. 6 is a top view thereof;
FIG. 7 is a perspective view thereof, shown attached to the unclaimed hand vacuum component and unclaimed surface cleaning head component; and,
FIG. 8 is a perspective view thereof in a bent configuration, connected to the unclaimed components shown in broken lines.
The details shown in broken lines form no part of the claimed design.

1 Claim, 6 Drawing Sheets



(56)

References Cited

U.S. PATENT DOCUMENTS

8,887,352 B2 *	11/2014	Muhlenkamp	A47L 5/36 15/410	D762,031 S	7/2016	Niedzwecki	
D720,104 S	12/2014	Santiago et al.		9,451,853 B2	9/2016	Conrad et al.	
D731,130 S	6/2015	Dyson et al.		D770,111 S	10/2016	Lee et al.	
D731,134 S	6/2015	Dyson et al.		D770,113 S *	10/2016	Yoon	D32/34
D731,136 S	6/2015	Yun et al.		D771,890 S	11/2016	Kim	
D731,720 S	6/2015	Gidwell et al.		D772,512 S *	11/2016	Yoon	D32/34
D731,724 S *	6/2015	Cheon	D32/22	D774,260 S	12/2016	Manning	
D738,584 S	9/2015	Niedzwecki		D774,264 S	12/2016	Bartram et al.	
D741,558 S	10/2015	Kerr		D775,772 S *	1/2017	Lee	D32/31
D742,083 S	10/2015	Gidwell et al.		D779,751 S	2/2017	Chu	
D743,123 S	11/2015	Chu		D779,752 S	2/2017	Johnson	
D744,180 S *	11/2015	Yun	D32/31	D781,014 S	3/2017	Wu et al.	
D745,231 S	12/2015	Niedzwecki		D788,393 S	5/2017	Canas et al.	
D747,571 S	1/2016	Dyson		D792,665 S	7/2017	Salagnac	
D747,572 S	1/2016	Kerr		D796,132 S *	8/2017	Yoon	D32/31
9,351,621 B2 *	5/2016	Cordes	A47L 9/24	D796,136 S	8/2017	Reynolds et al.	
				D798,009 S *	9/2017	Salagnac	D32/18
				D799,767 S *	10/2017	Palladino	D32/22
				D800,980 S *	10/2017	Carter	D32/21
				2014/0237760 A1	8/2014	Conrad	

* cited by examiner

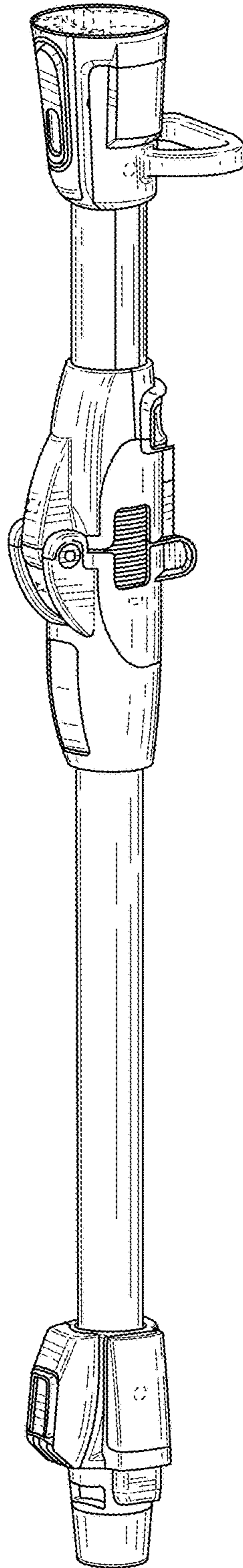


FIG. 1

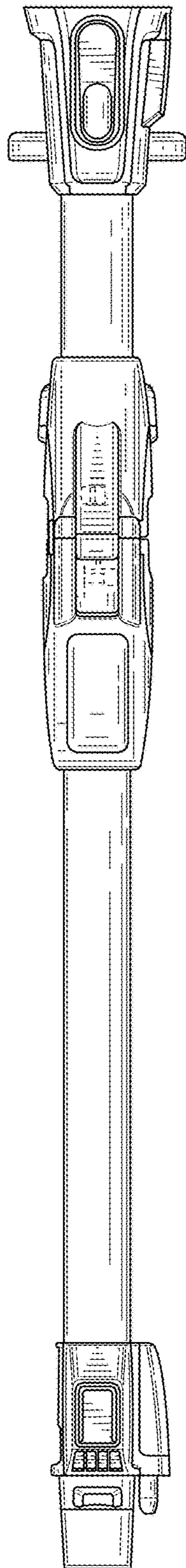


FIG. 2

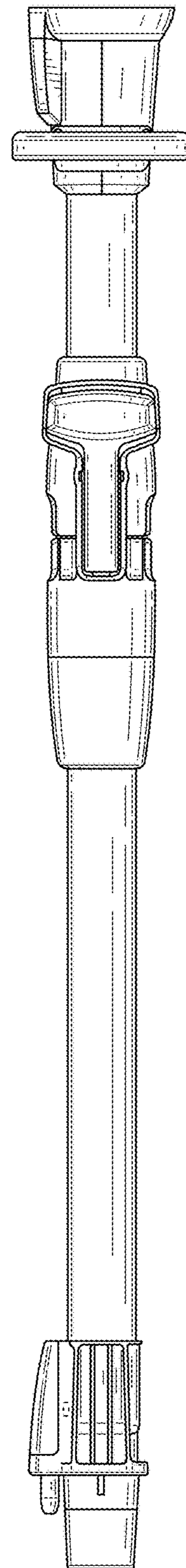
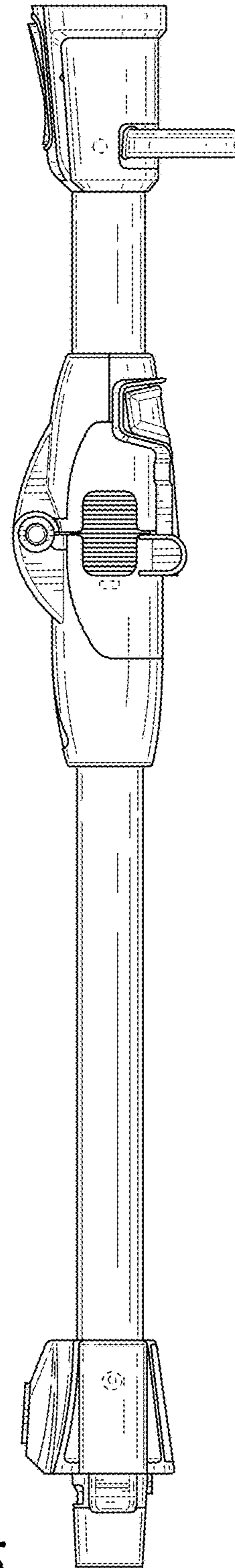
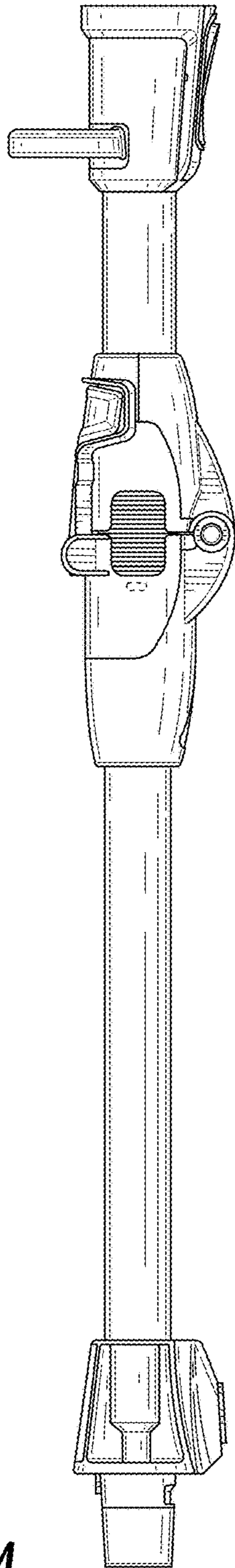


FIG. 3



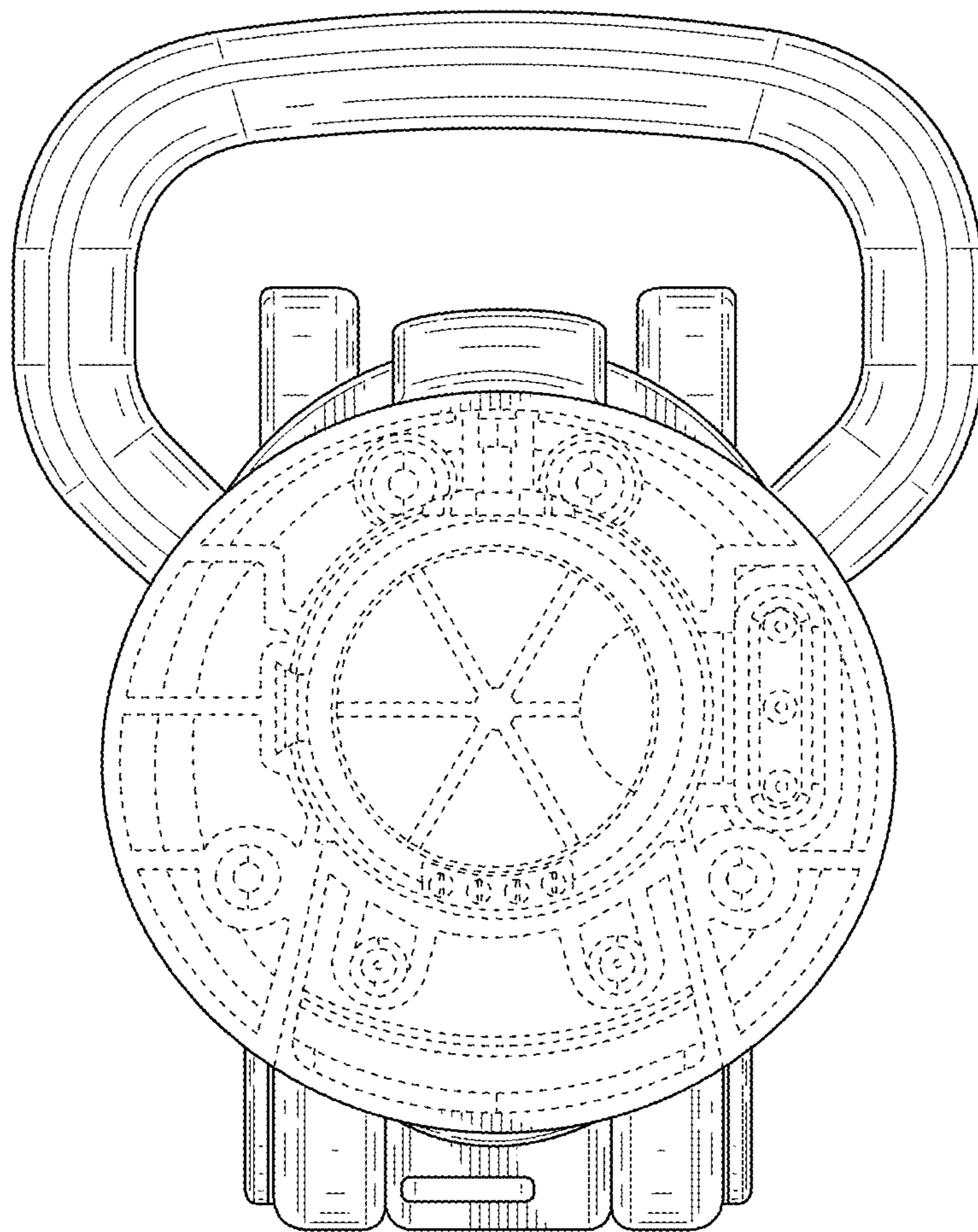


FIG. 6

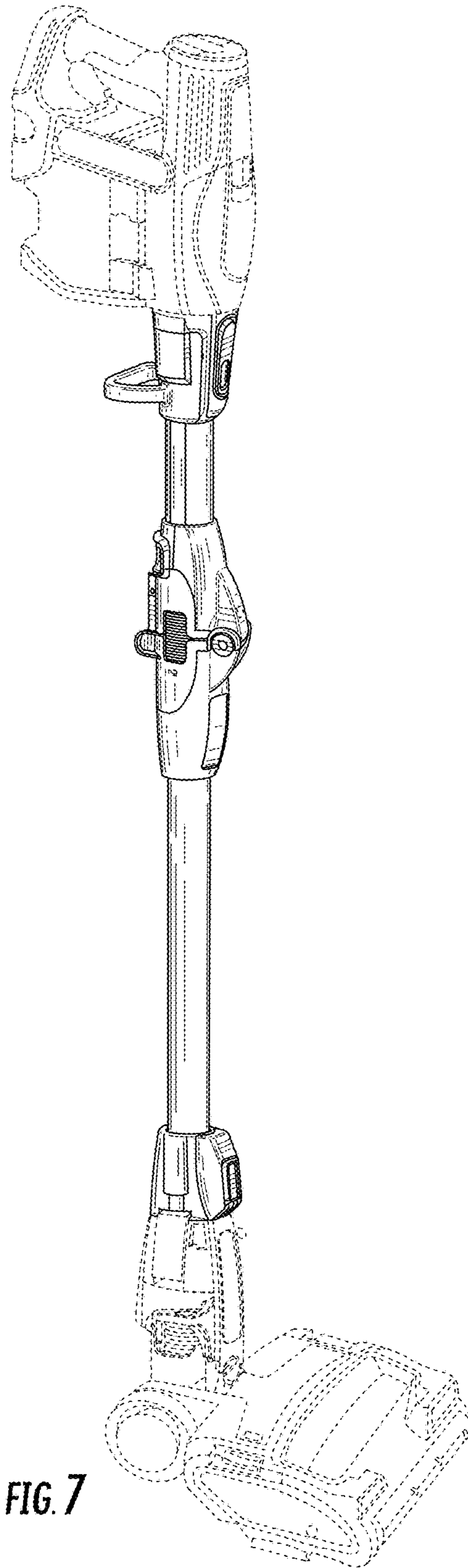


FIG. 7

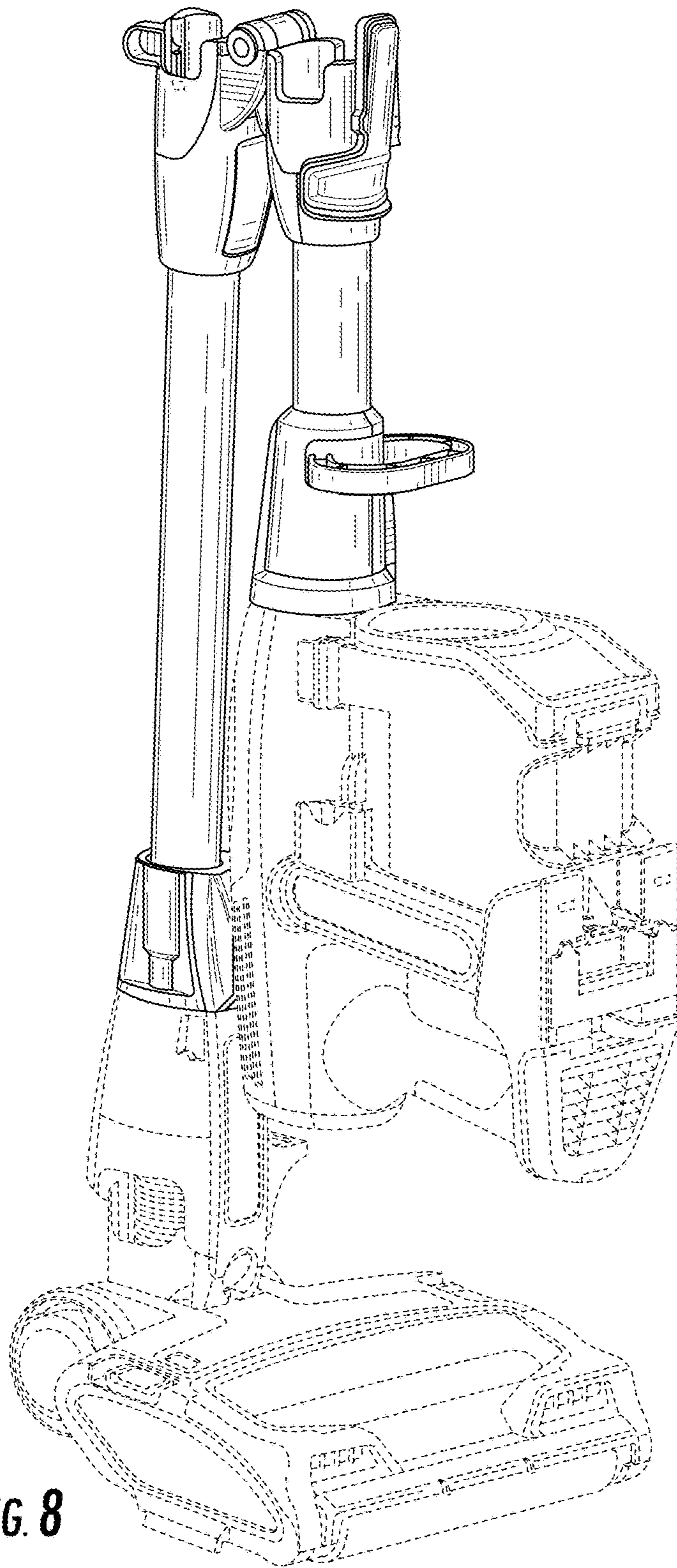


FIG. 8