



US00D836862S

(12) **United States Design Patent**  
**Yun et al.**

(10) **Patent No.:** **US D836,862 S**

(45) **Date of Patent:** **\*\* Dec. 25, 2018**

- (54) **BODY FOR VACUUM CLEANER**
- (71) Applicant: **Samsung Electronics Co., Ltd.**,  
Suwon-si (KR)
- (72) Inventors: **Deoksang Yun**, Uiwang-si (KR);  
**Sangin Lee**, Seoul (KR); **Hyounsub Choi**, Goyang-si (KR)
- (73) Assignee: **SAMSUNG ELECTRONICS CO., LTD.**, Gyeonggi-Do (KR)
- (\*\*) Term: **15 Years**
- (21) Appl. No.: **29/587,606**
- (22) Filed: **Dec. 14, 2016**
- (30) **Foreign Application Priority Data**  
Jun. 15, 2016 (KR) ..... 30-2016-0029027
- (51) **LOC (11) Cl.** ..... **15-05**
- (52) **U.S. Cl.**  
USPC ..... **D32/21**
- (58) **Field of Classification Search**  
USPC ..... D32/21-24, 31  
CPC ..... E04H 4/1654; A47L 9/2842; A47L 9/26;  
A47L 9/325; A47L 9/009; A47L 11/34;  
A47L 5/362; A47L 5/365; A47L 7/0004;  
A47L 7/0019  
See application file for complete search history.

- D565,813 S \* 4/2008 Shin ..... D32/21
- D722,732 S \* 2/2015 Ghim ..... D32/21
- D728,175 S \* 4/2015 Park ..... D32/21
- D730,600 S \* 5/2015 Springell ..... D32/21
- D746,524 S \* 12/2015 Kim ..... D32/21
- D762,026 S \* 7/2016 Tyler ..... D32/21
- D786,517 S \* 5/2017 Cao ..... D32/21

\* cited by examiner

*Primary Examiner* — Ruth McInroy

(74) *Attorney, Agent, or Firm* — Cantor Colburn LLP

(57) **CLAIM**

The ornamental design for a body for vacuum cleaner, as shown and described.

**DESCRIPTION**

FIG. 1 is a perspective view of a body for vacuum cleaner showing our new design;  
 FIG. 2 is a front view thereof;  
 FIG. 3 is a rear view thereof;  
 FIG. 4 is a left-side view thereof;  
 FIG. 5 is a right-side view thereof;  
 FIG. 6 is a top view thereof;  
 FIG. 7 is a bottom view thereof;  
 FIG. 8 is the rear perspective view;  
 FIG. 9 is an enlarged view of the area 9 indicated in FIG. 4;  
 FIG. 10 is an enlarged view of the area 10 indicated of FIG. 6; and,  
 FIG. 11 is an enlarged view of the area 11 indicated of FIG. 7.

The broken lines illustrating portions of the body for vacuum cleaner form no part of the claimed design.  
 The dot-dot-dash broken lines encircling portions of the claimed design that are illustrated in enlargements form no part of the claimed design.

**1 Claim, 10 Drawing Sheets**

- (56) **References Cited**  
U.S. PATENT DOCUMENTS  
D553,311 S \* 10/2007 Shin ..... D32/21  
D554,308 S \* 10/2007 Shin ..... D32/21

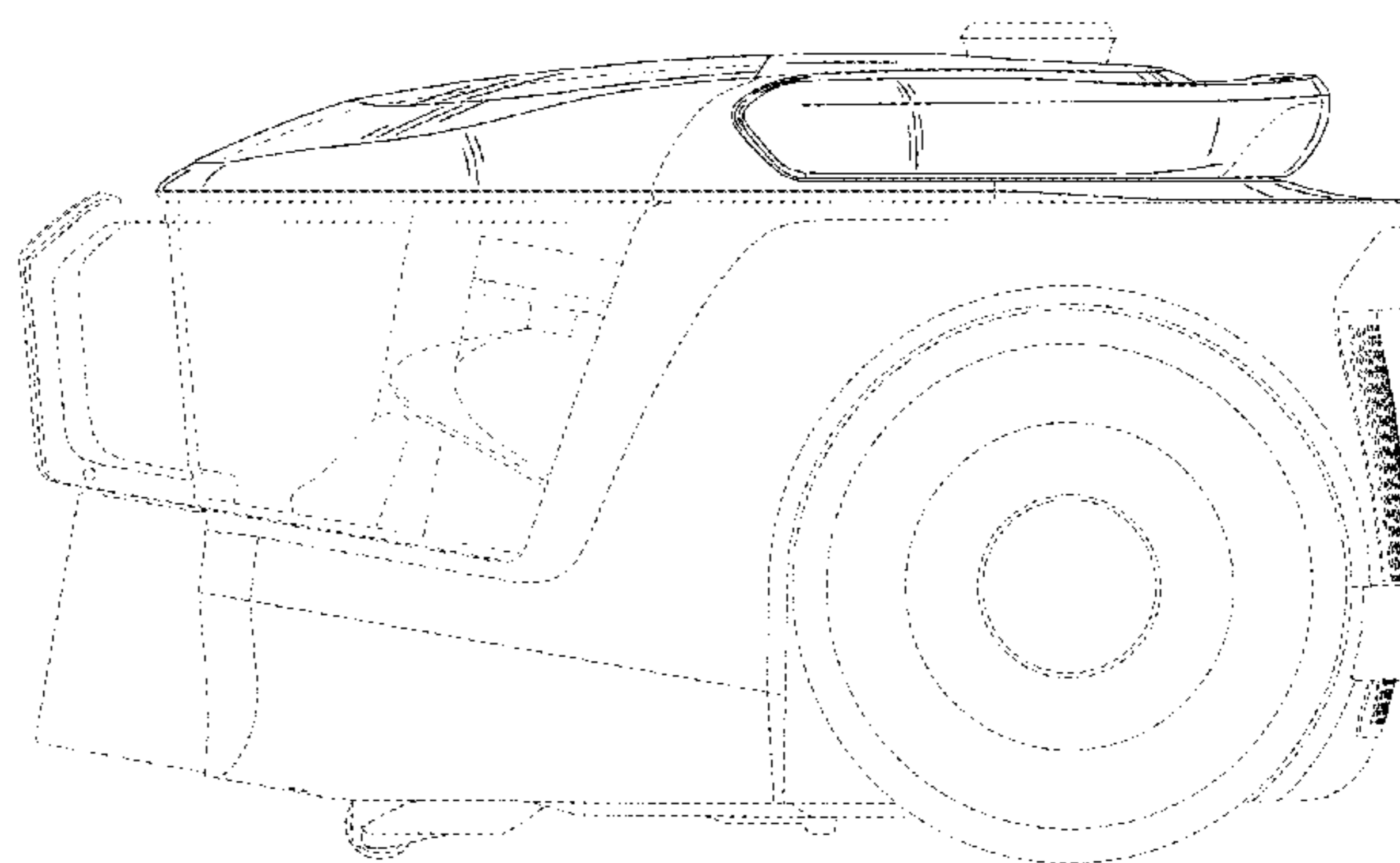
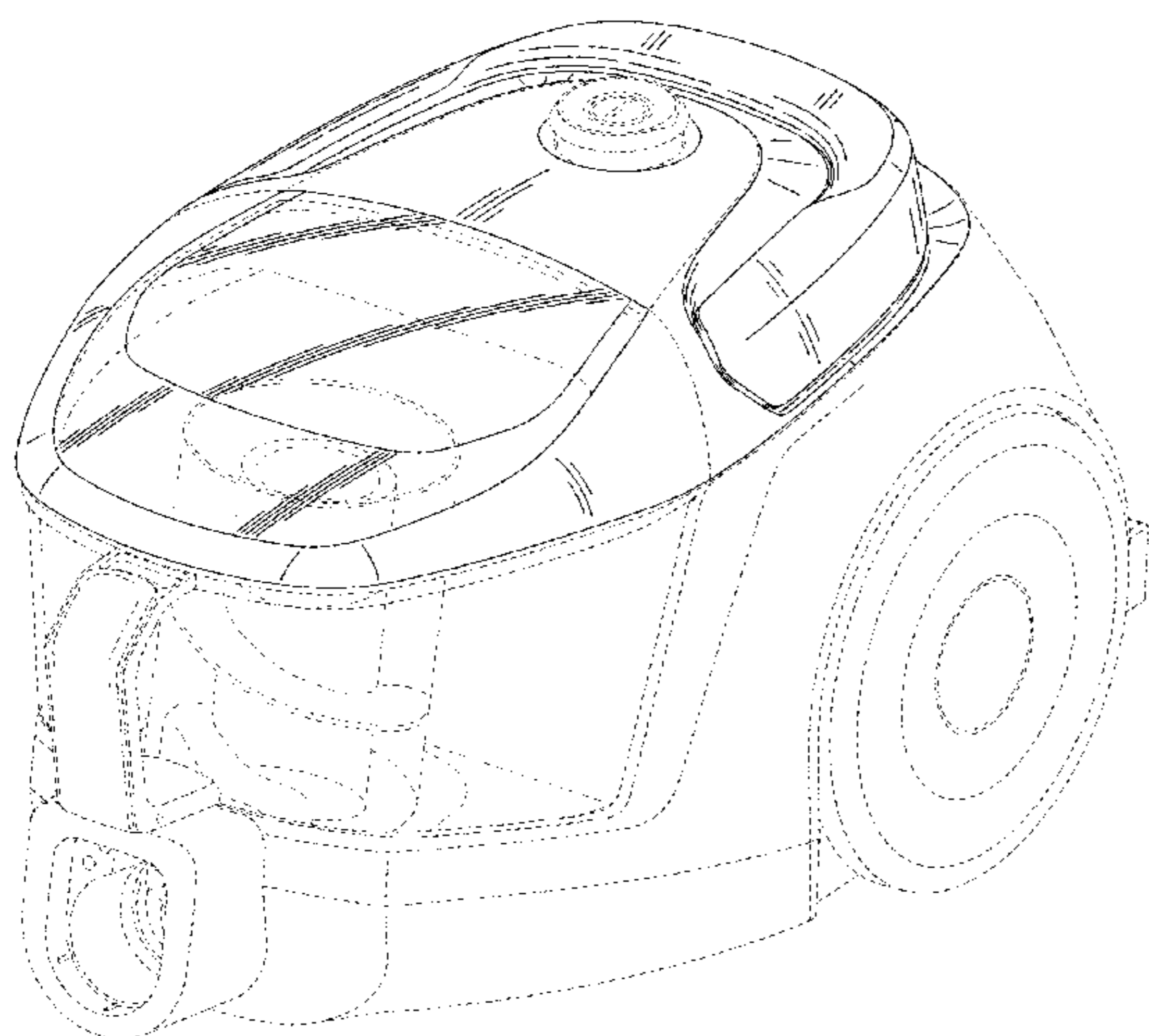


FIG. 1

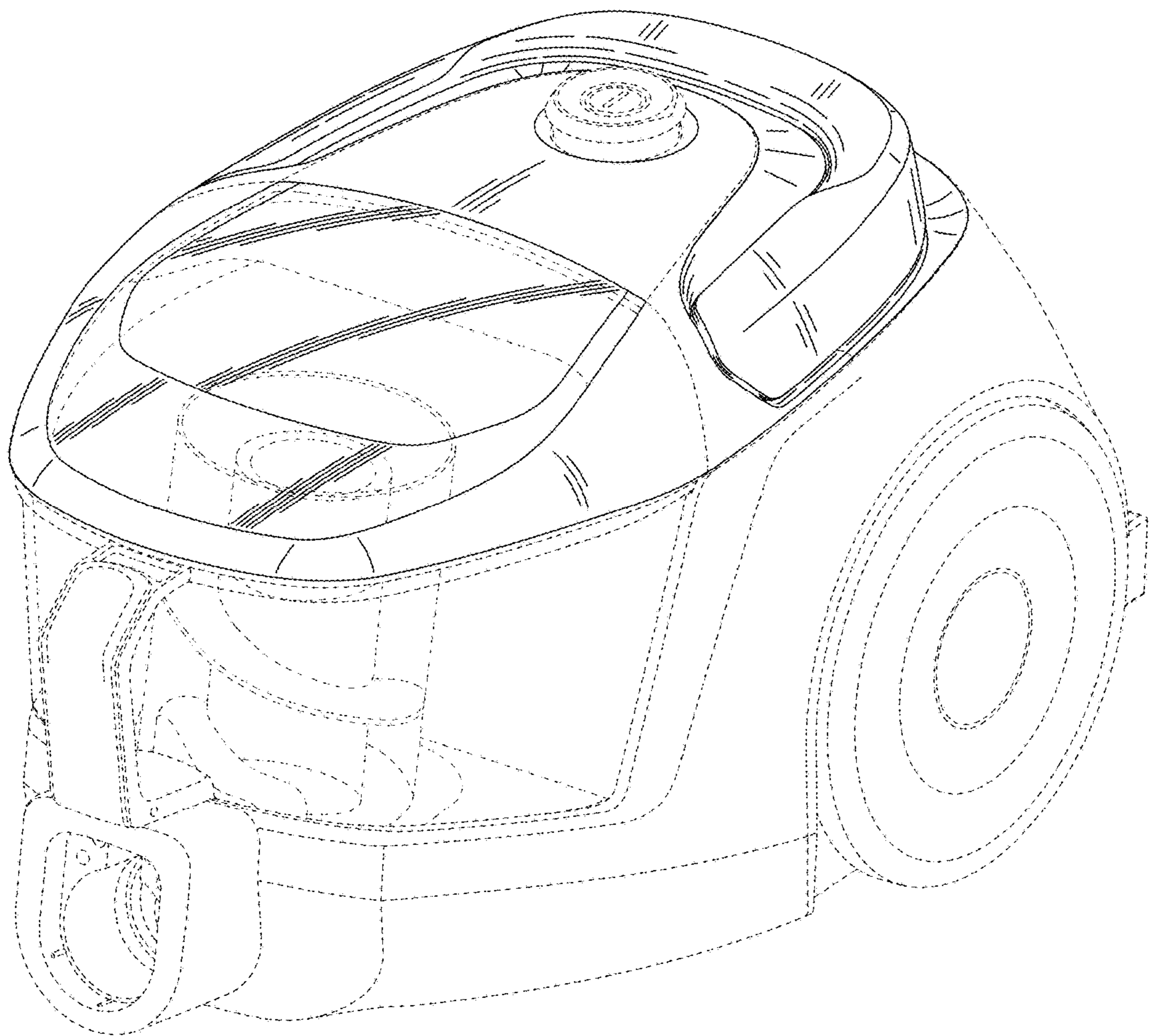


FIG. 2

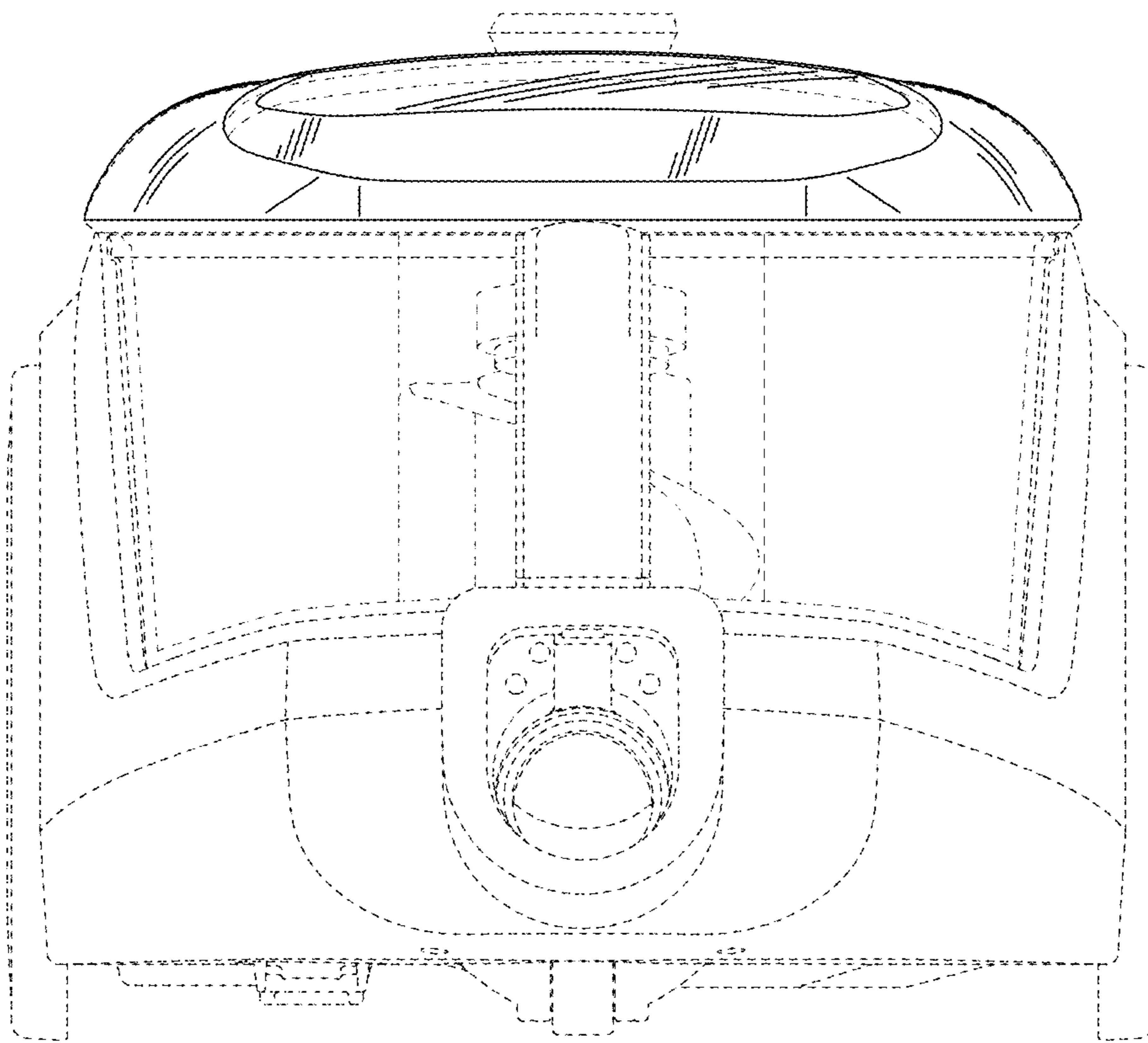


FIG. 3

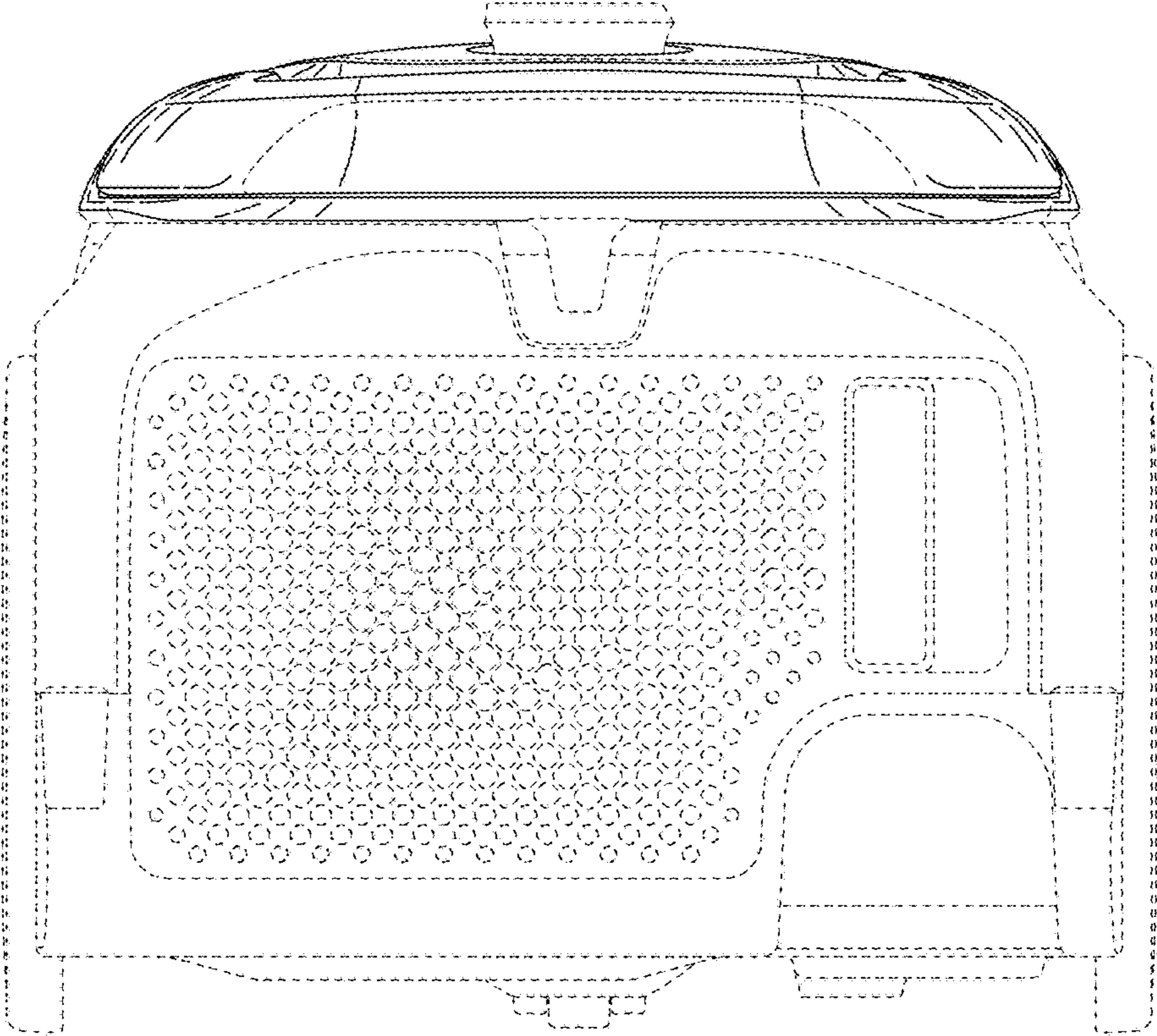


FIG. 4

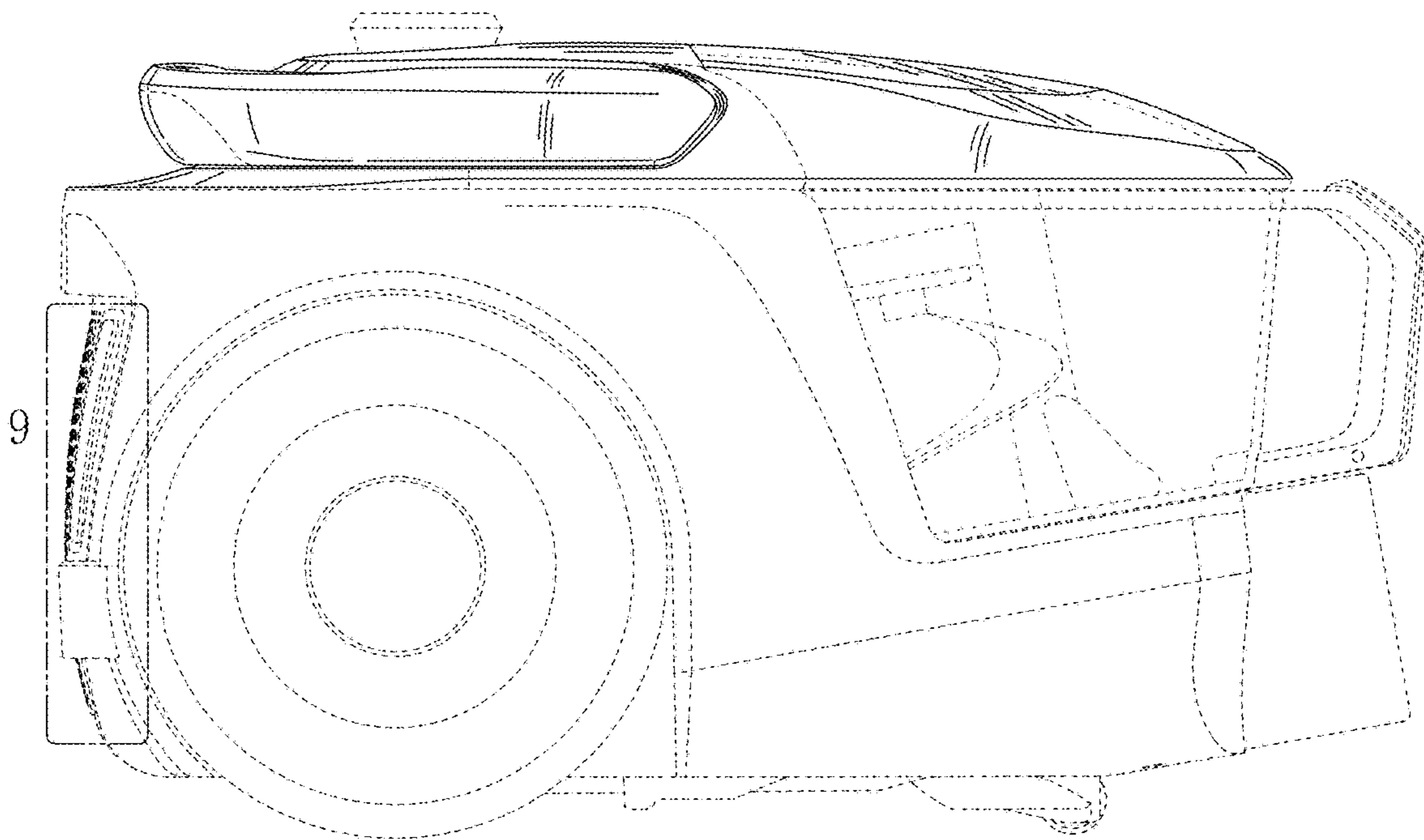


FIG. 5

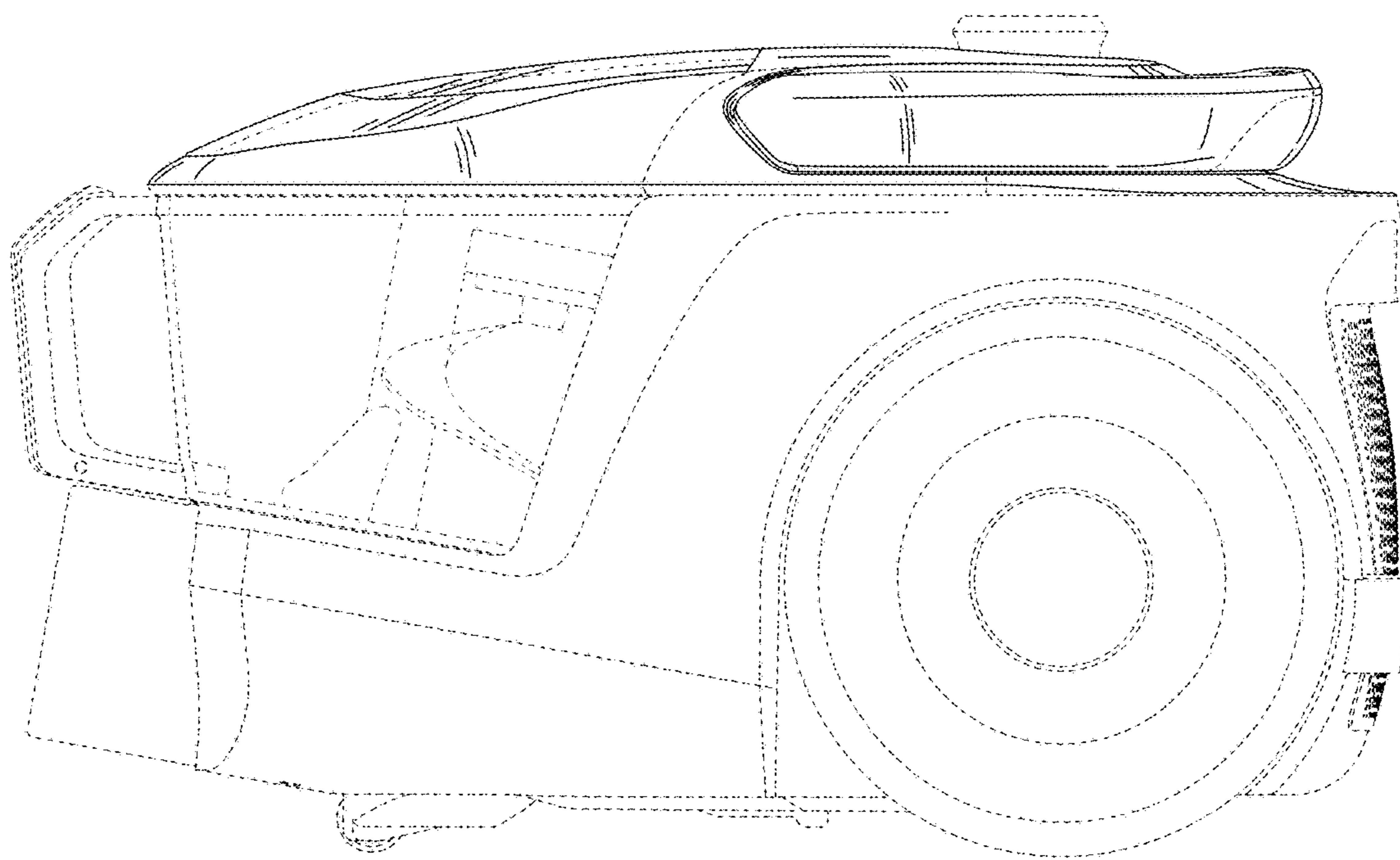


FIG. 6

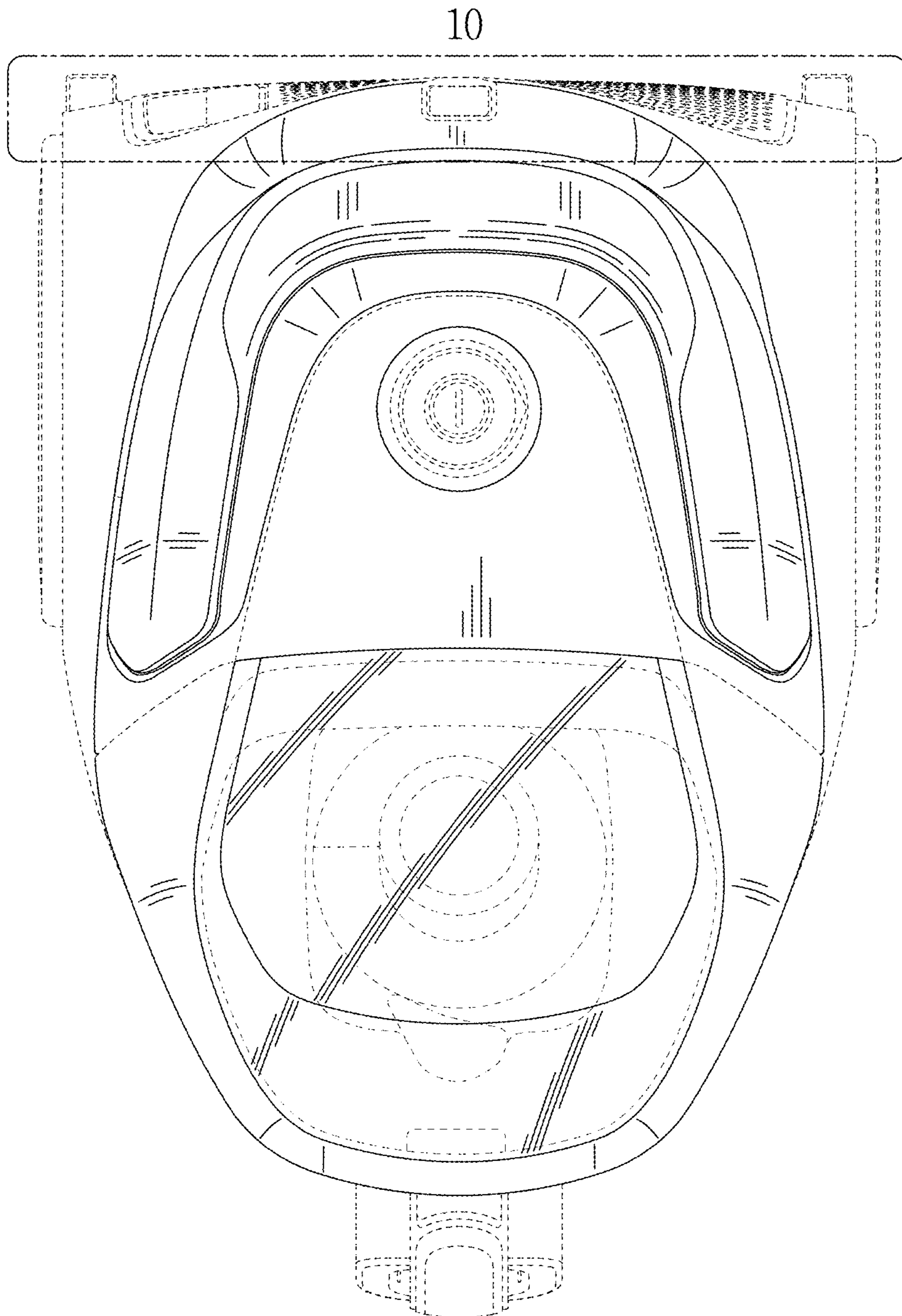


FIG. 7

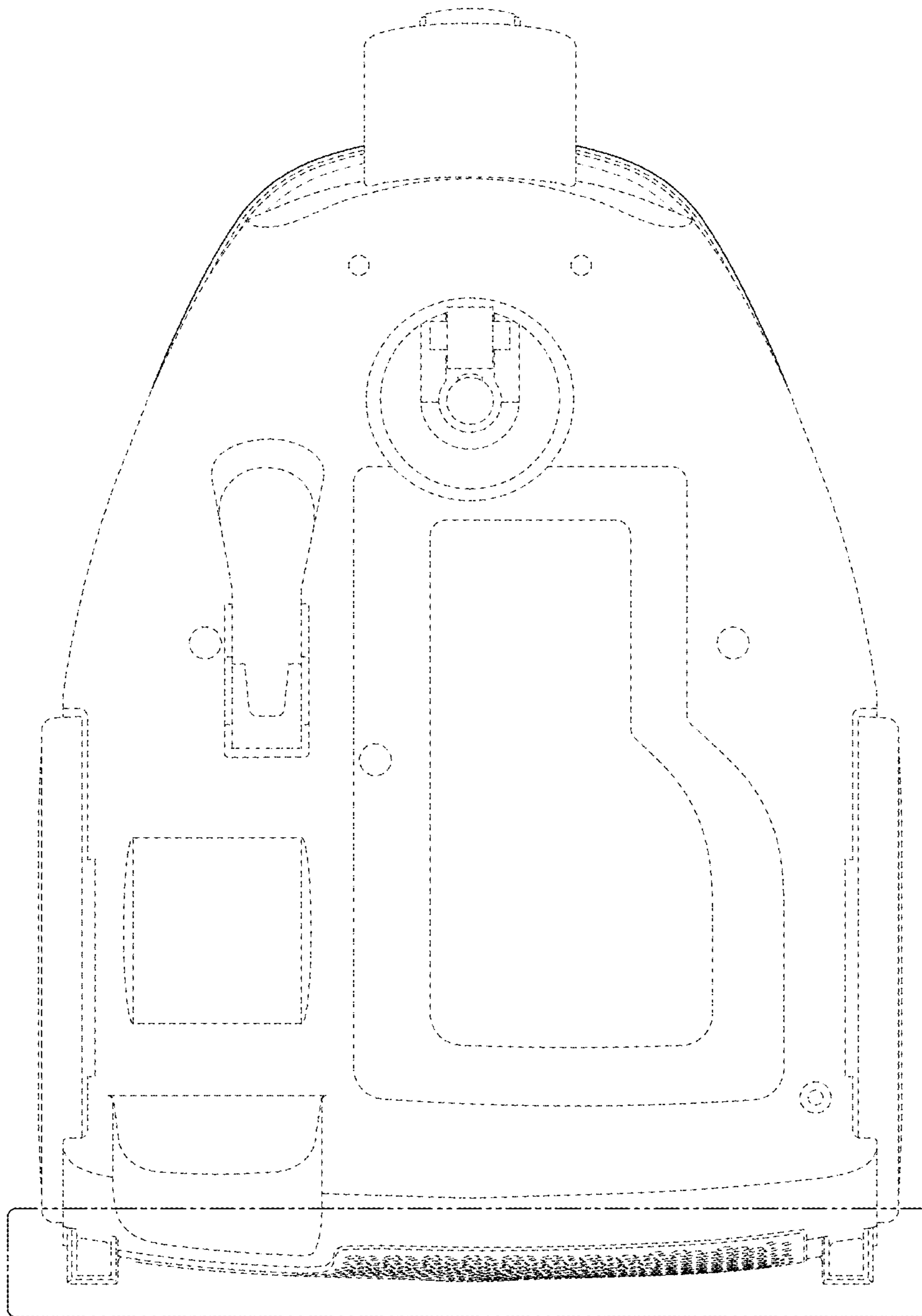




FIG. 8

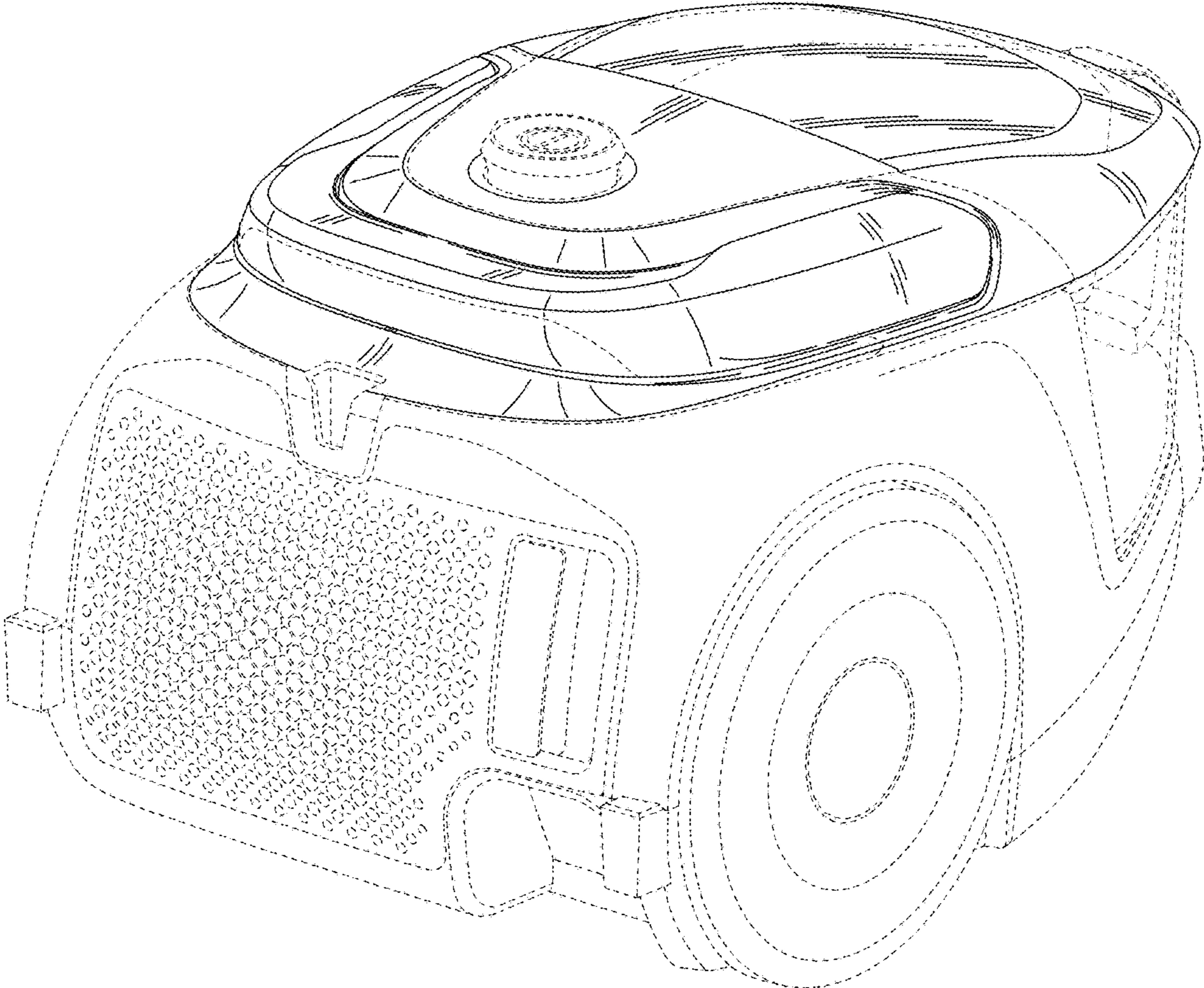


FIG. 9

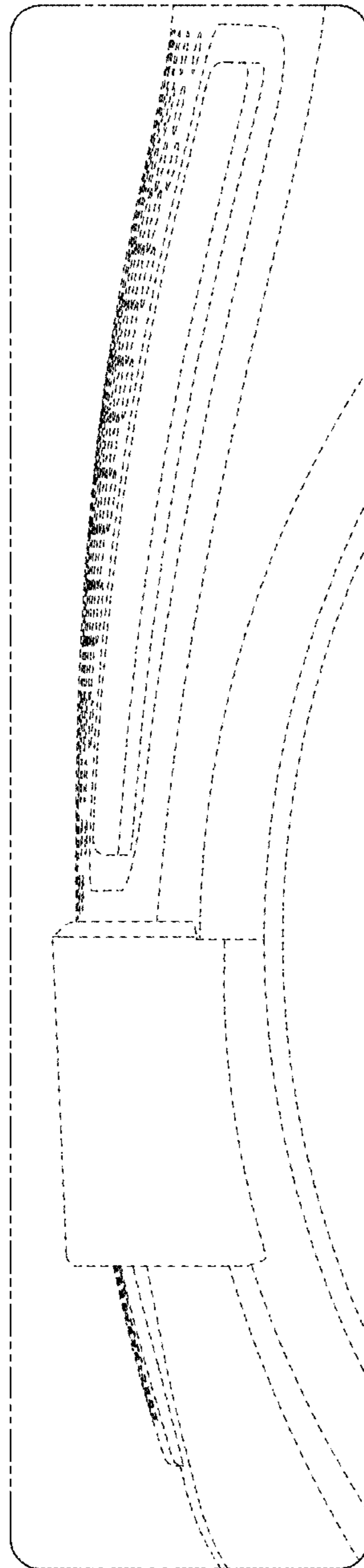


FIG. 10

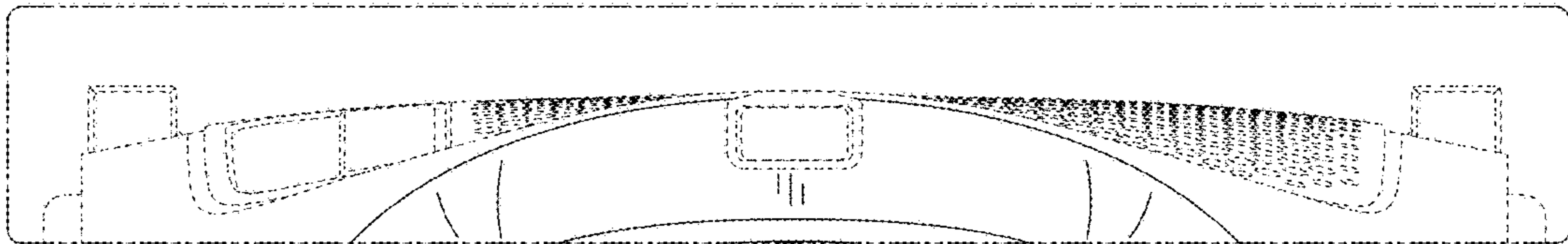


FIG. 11

