



US00D836861S

(12) **United States Design Patent** (10) **Patent No.:** **US D836,861 S**  
**Tse et al.** (45) **Date of Patent:** **\*\* Dec. 25, 2018**

(54) **BLOWER**  
(71) Applicant: **HUSQVARNA AB**, Huskvarna (SE)  
(72) Inventors: **Eric Tse**, Charlotte, NC (US); **Ernest Lane**, Denver, NC (US)  
(73) Assignee: **HUSQVARNA AB**, Huskvarna (SE)  
(\*\*) Term: **15 Years**  
(21) Appl. No.: **29/607,026**  
(22) Filed: **Jun. 9, 2017**  
(51) **LOC (11) Cl.** ..... **15-05**  
(52) **U.S. Cl.**  
USPC ..... **D32/15; D15/12**  
(58) **Field of Classification Search**  
USPC .... D32/1, 15-19, 21, 25; D15/11, 12, 5, 17;  
D23/213, 383  
CPC ... A47L 5/14; A47L 9/32; A01G 1/125; F04B  
17/00; F04B 35/04  
See application file for complete search history.

D729,999 S \* 5/2015 Aoi ..... D15/12  
D735,960 S \* 8/2015 Zhang ..... D32/15  
D741,917 S \* 10/2015 Tinius ..... D15/15  
D742,603 S \* 11/2015 Tschopp ..... D15/12  
D746,004 S \* 12/2015 Murray ..... D15/12  
D748,876 S \* 2/2016 Carl ..... D15/12  
D748,877 S \* 2/2016 Tirone ..... D15/12  
D798,513 S \* 9/2017 Tinius ..... D32/15  
D812,825 S \* 3/2018 Smith ..... D32/15

\* cited by examiner

*Primary Examiner* — Michelle E. Wilson

(74) *Attorney, Agent, or Firm* — McNair Law Firm, P.A.

(57) **CLAIM**

The ornamental design for a blower, as shown and described.

**DESCRIPTION**

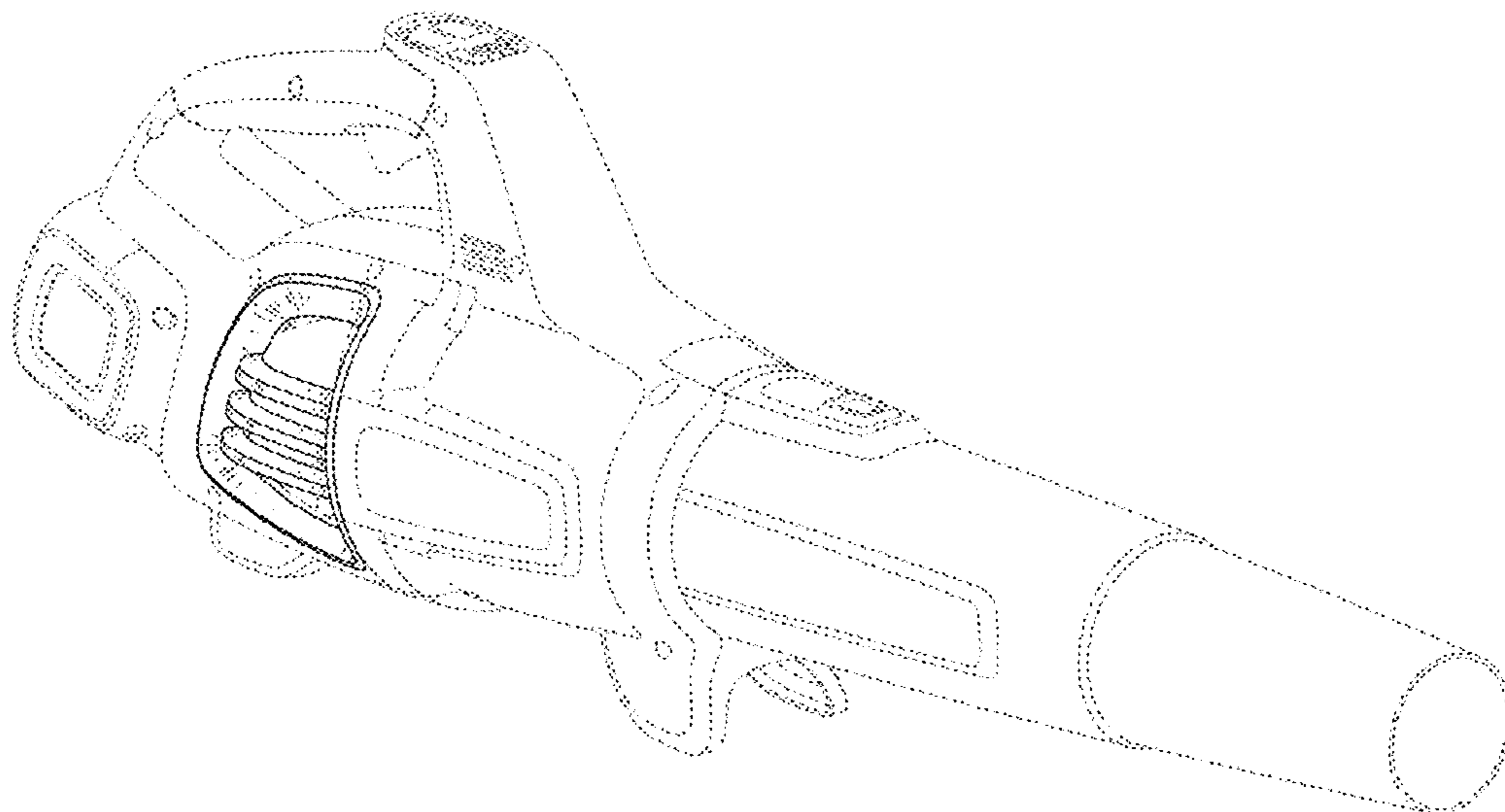
FIG. 1 is a perspective front view of a blower in accordance with an embodiment of the present invention; FIG. 2 is a perspective side view of the blower of FIG. 1; FIG. 3 is a perspective rear view of the blower of FIG. 1; FIG. 4 is a front view of the blower of FIG. 1; FIG. 5 is a rear view of the blower of FIG. 1; FIG. 6 is a left side view of the blower of FIG. 1; FIG. 7 is a right side view of the blower of FIG. 1; FIG. 8 is a top view of the blower of FIG. 1; FIG. 9 is a bottom view of the blower of FIG. 1; and, FIG. 10 is a perspective view of the blower of FIG. 1 with battery pack removed. The broken lines showing portions of the blower in FIGS. 1-10 are for the purpose of illustrating portions of the article that form no part of the claimed design.

**1 Claim, 7 Drawing Sheets**

(56) **References Cited**

U.S. PATENT DOCUMENTS

D349,983 S \* 8/1994 Tuggle ..... D32/15  
D400,322 S \* 10/1998 Webster ..... D32/15  
D416,360 S \* 11/1999 Enkyo ..... D32/15  
D468,874 S \* 1/2003 Nawrozki ..... D32/15  
D469,931 S \* 2/2003 Nawrozki ..... D32/15  
D529,243 S \* 9/2006 Noma ..... D32/15  
D569,055 S \* 5/2008 Bochmann ..... D32/15  
D584,461 S \* 1/2009 Sweeney ..... D32/15  
D637,774 S \* 5/2011 Li ..... D32/15  
D668,822 S \* 10/2012 Tinius ..... D32/15  
D711,057 S \* 8/2014 Crawley ..... D15/12  
D719,307 S \* 12/2014 Carl ..... D15/12



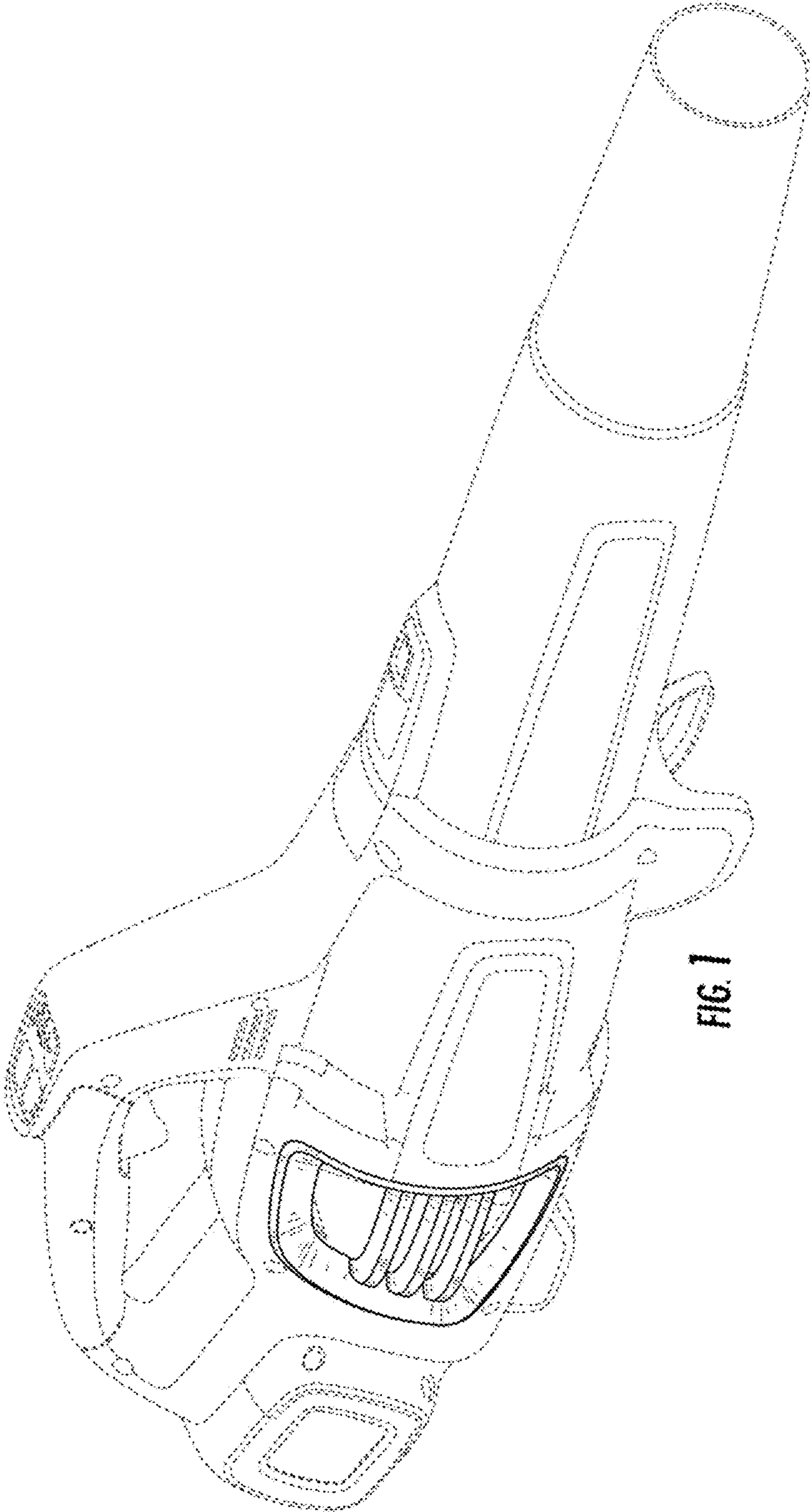


FIG. 1

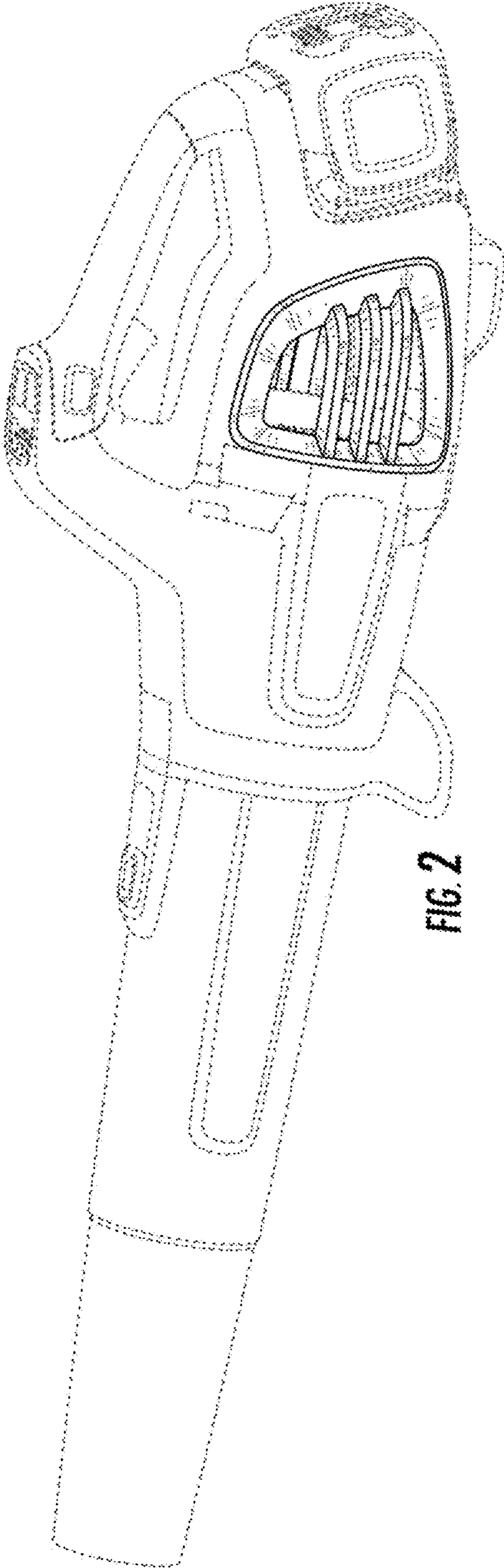


FIG. 2

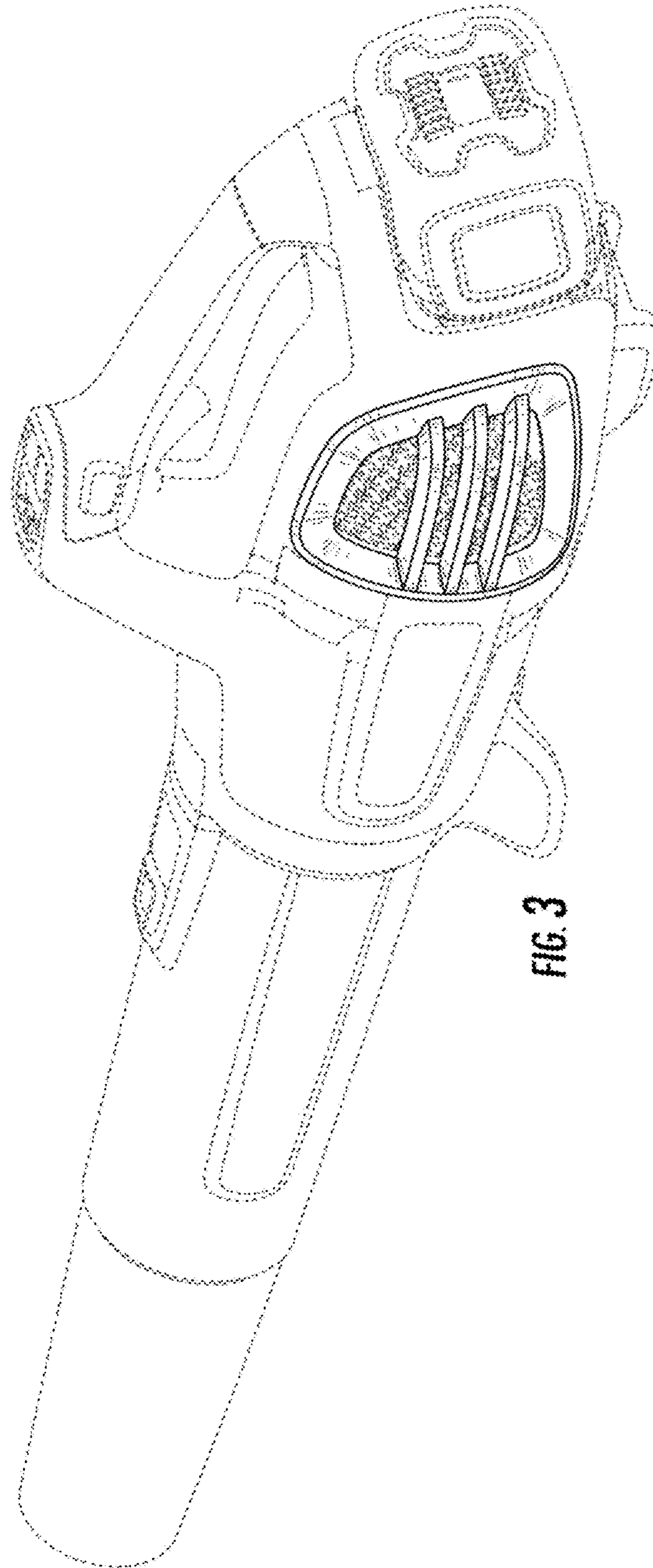


FIG. 3

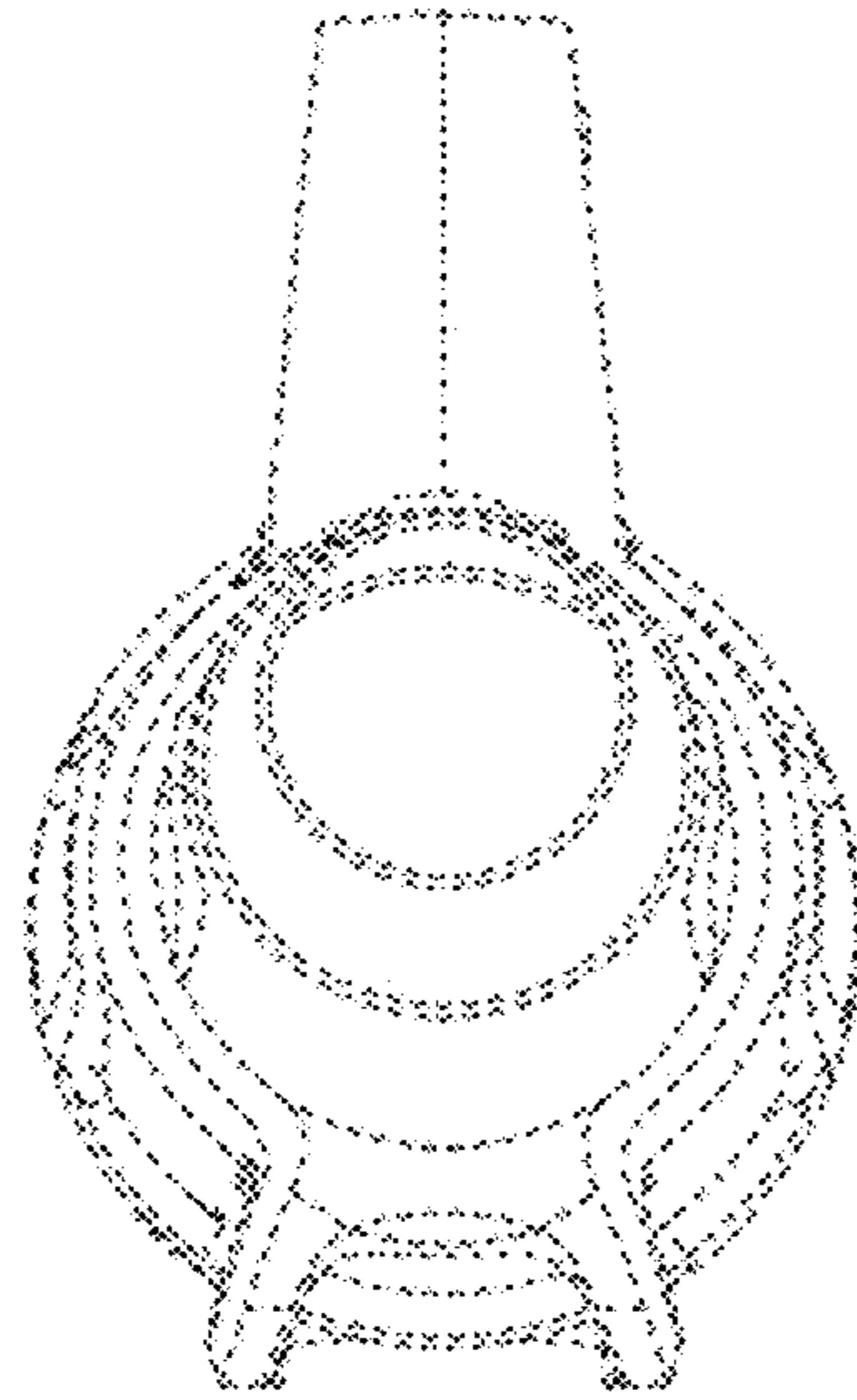


FIG. 4

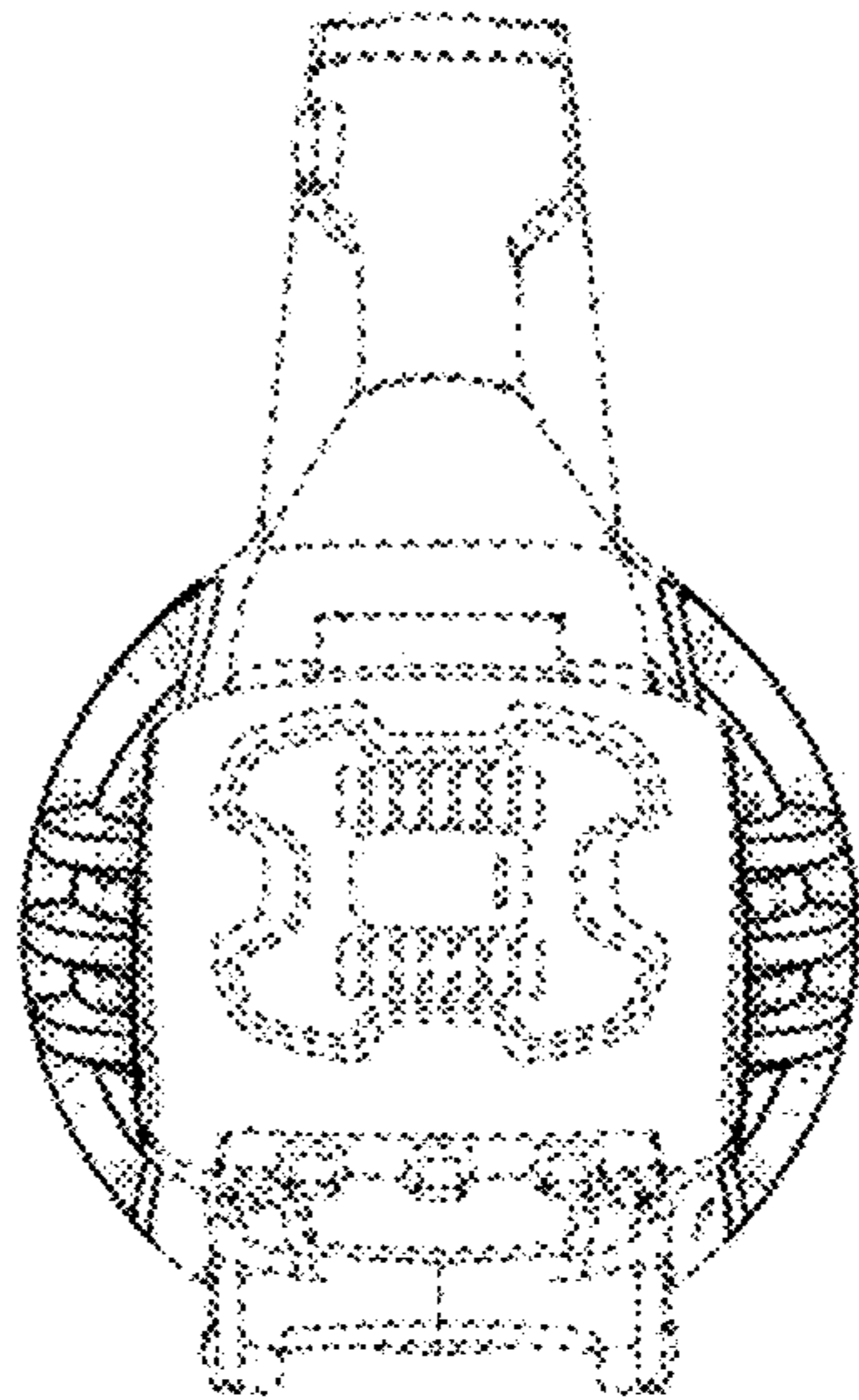


FIG. 5

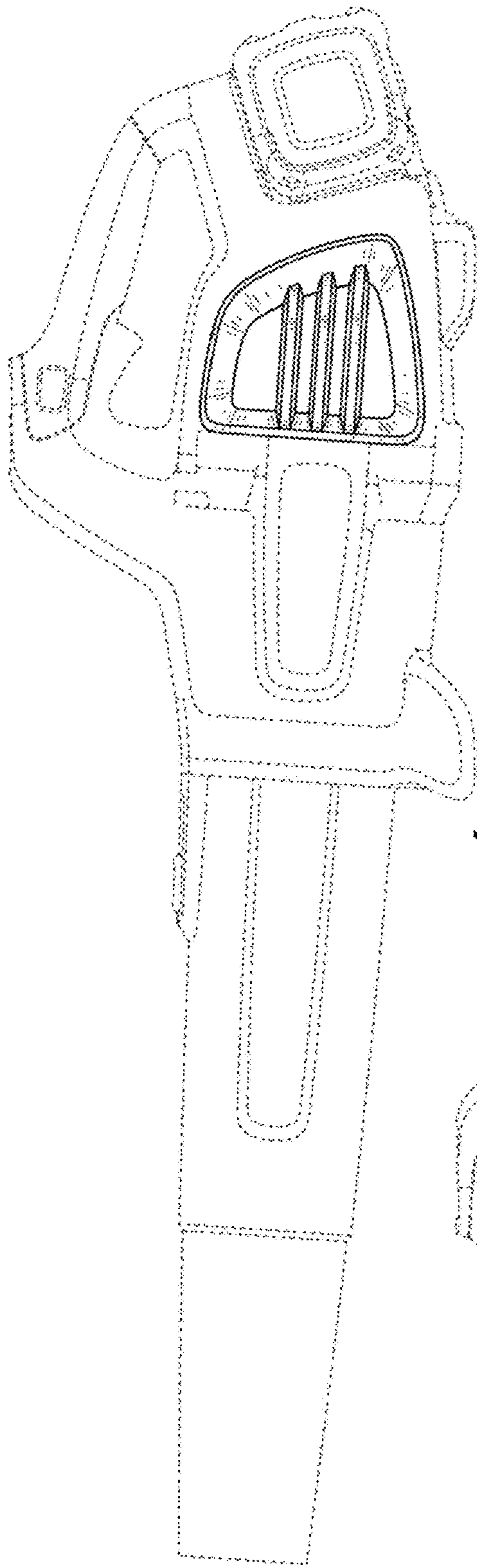


FIG. 6

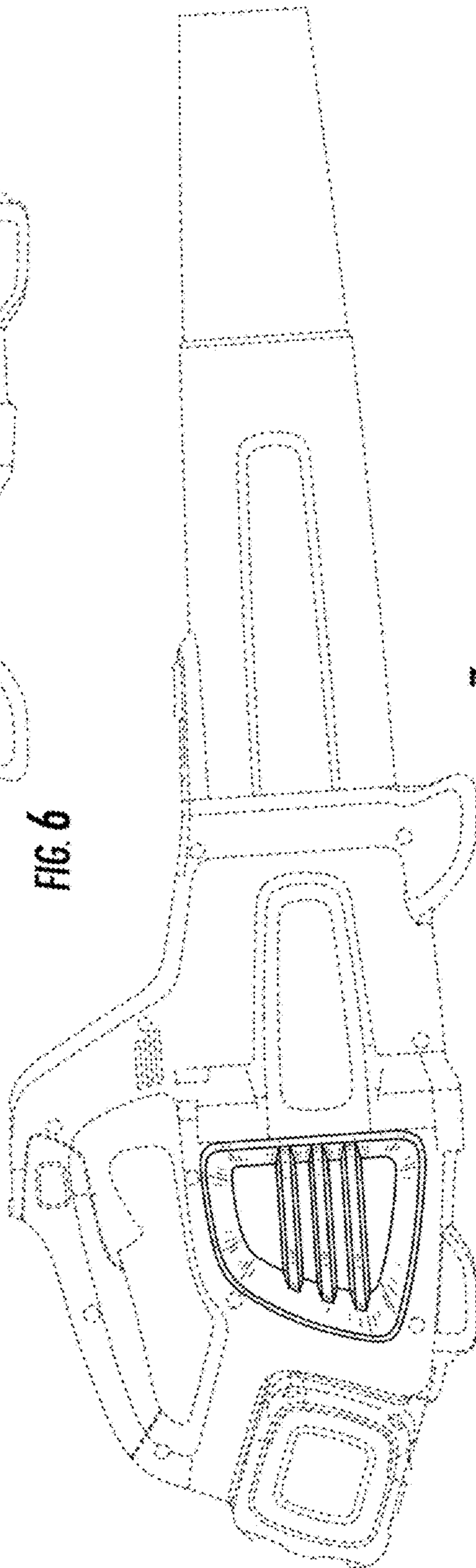
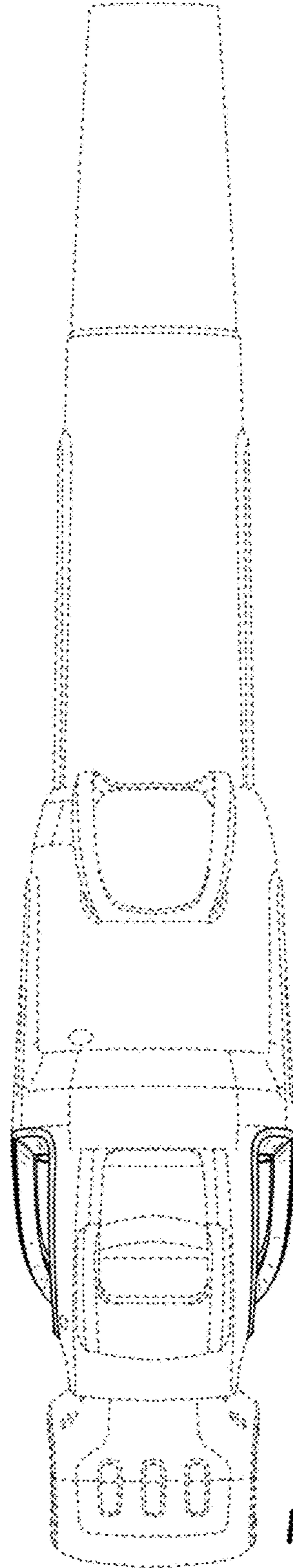
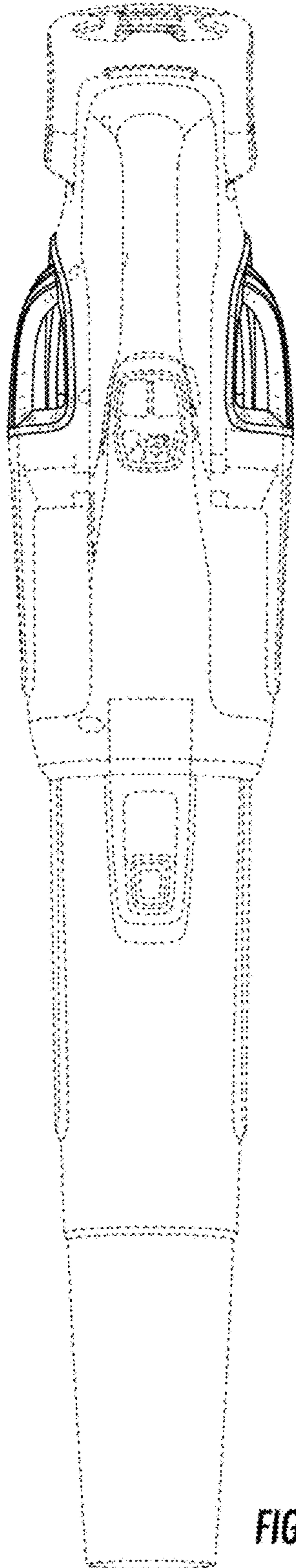


FIG. 7



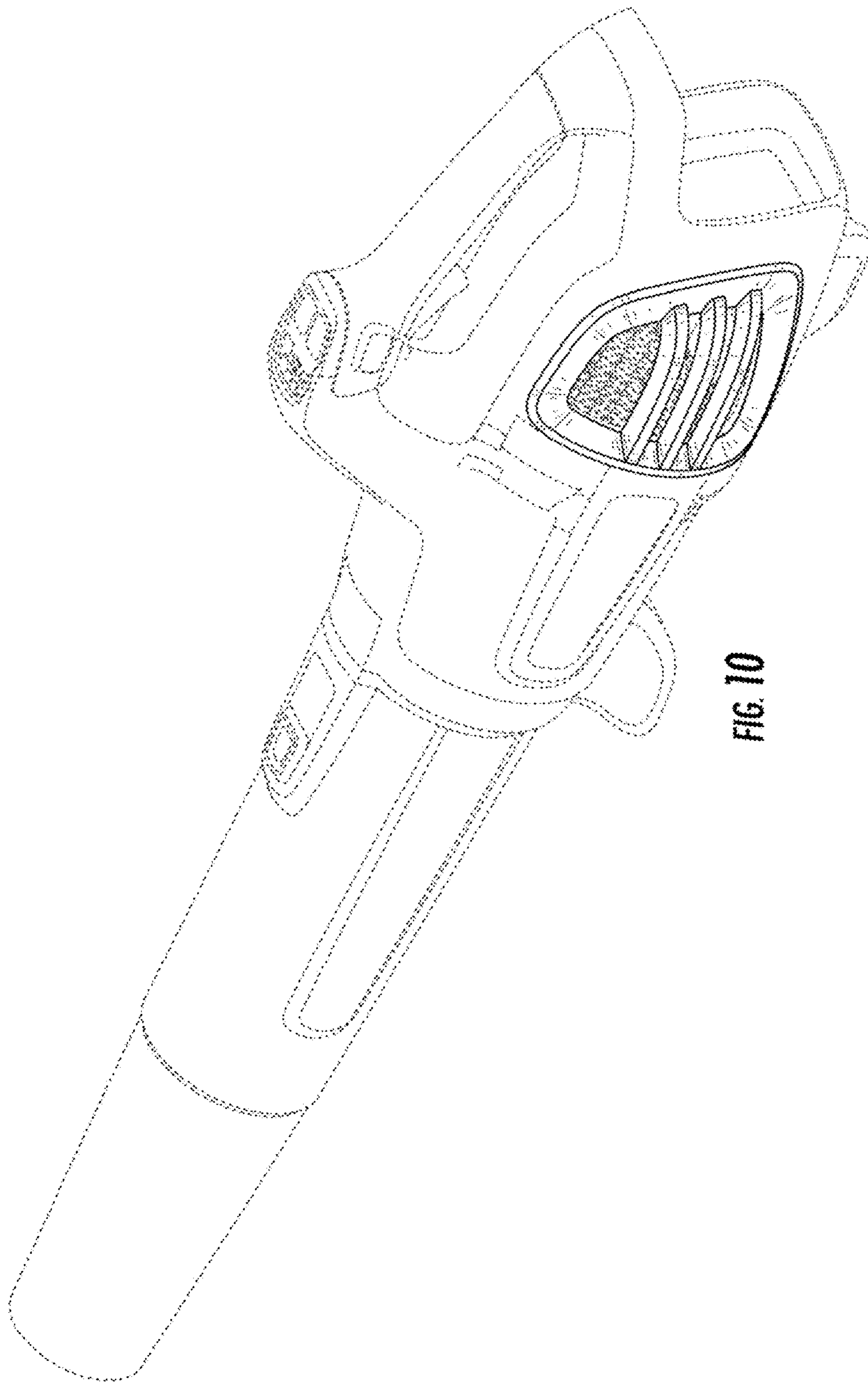


FIG. 10