

US00D836860S

(12) **United States Design Patent** (10) **Patent No.:** **US D836,860 S**
Ha et al. (45) **Date of Patent:** **** Dec. 25, 2018**

(54) **WASHING MACHINE**
(71) Applicant: **LG ELECTRONICS INC.**, Seoul (KR)
(72) Inventors: **Youngsoo Ha**, Seoul (KR); **Taewoo Yoo**, Seoul (KR); **Jonghee Han**, Seoul (KR); **Eunyoung Chee**, Seoul (KR); **Seungho Oh**, Seoul (KR); **Jaeseok Seong**, Seoul (KR)
(73) Assignee: **LG ELECTRONICS INC.**, Seoul (KR)

D178,260 S * 7/1956 Perl D32/6
D236,152 S 7/1975 Yamamoto
4,534,188 A * 8/1985 Fey D06F 29/00
312/272
D501,966 S * 2/2005 Hwang D32/25
D506,045 S * 6/2005 No D32/25
D515,257 S * 2/2006 Geyer D32/6
D515,260 S * 2/2006 Ha D32/25
D536,145 S 1/2007 Lee et al.
D536,903 S * 2/2007 Bixby D32/6
D544,157 S * 6/2007 Crookshanks D32/25
D556,956 S 12/2007 Kim
D575,913 S 8/2008 Jeon et al.

(Continued)

(**) Term: **15 Years**

(21) Appl. No.: **29/560,365**

(22) Filed: **Apr. 6, 2016**

Related U.S. Application Data

(63) Continuation of application No. 29/537,341, filed on Aug. 25, 2015, now Pat. No. Des. 770,707.

(30) **Foreign Application Priority Data**

Mar. 4, 2016 (KR) 30-2015-0011078

(51) **LOC (11) Cl.** **15-05**

(52) **U.S. Cl.**
USPC **D32/6**

(58) **Field of Classification Search**
USPC D32/29.1, 29, 28, 6, 25, 8, 1, 5, 10
CPC D06F 39/045; D06F 29/00; D06F 29/005;
D06F 25/00; D06F 39/022; D06F 33/02;
D06F 2204/065; D06F 35/006
See application file for complete search history.

(56) **References Cited**

U.S. PATENT DOCUMENTS

D151,001 S * 9/1948 Perl D32/6
D177,010 S 3/1956 Boldt et al.

OTHER PUBLICATIONS

U.S. Notice of Allowance dated Aug. 12, 2016 issued in U.S. Appl. No. 29/537,483.

(Continued)

Primary Examiner — Michelle E. Wilson

(74) *Attorney, Agent, or Firm* — Ked & Associates LLP

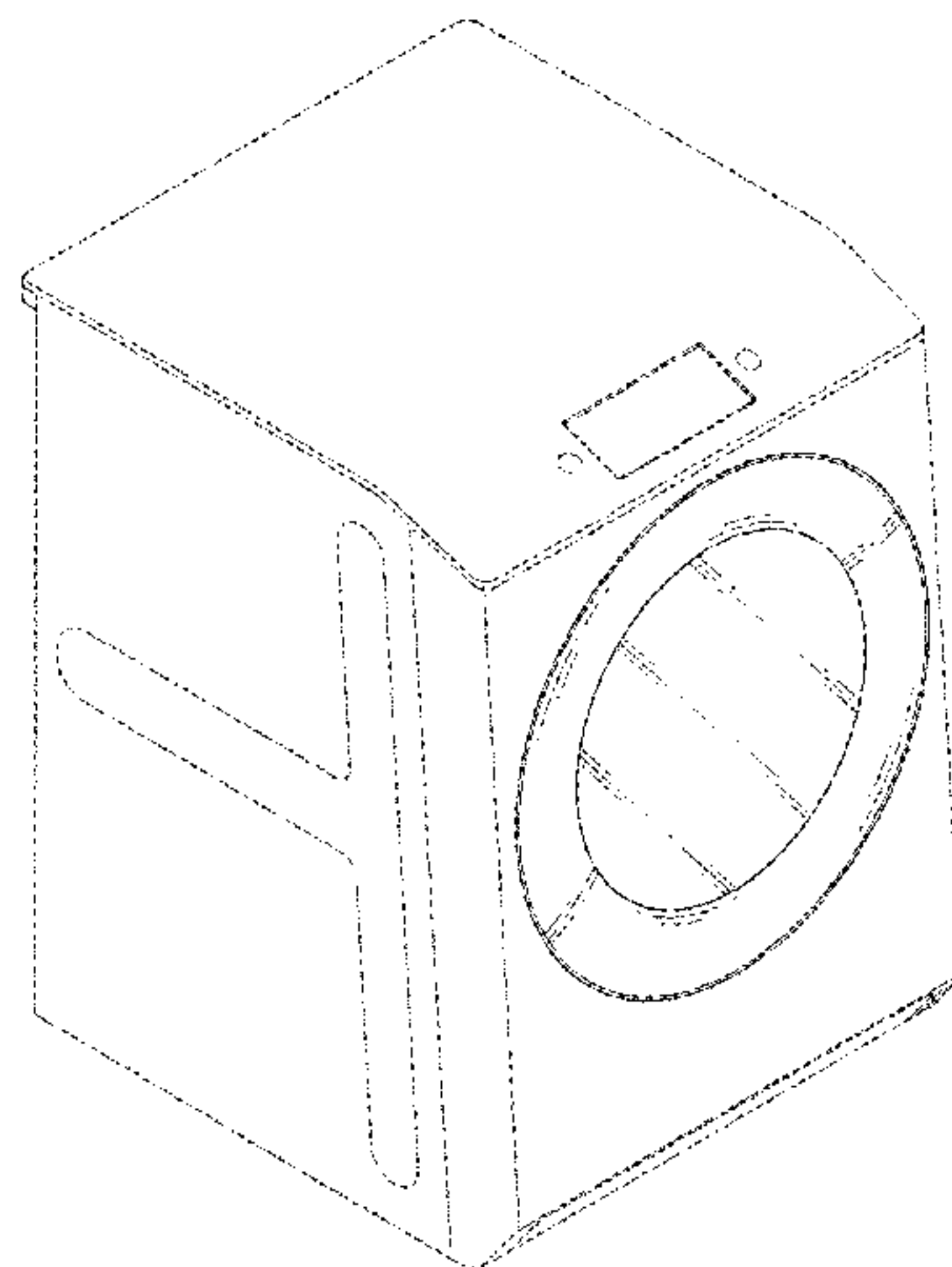
(57) **CLAIM**

We claim the ornamental design for a washing machine, as shown and described.

DESCRIPTION

FIG. 1 is a perspective view of a washing machine, showing our new design;
FIG. 2 is a front elevation view thereof;
FIG. 3 is a rear elevation view thereof;
FIG. 4 is a first-side elevation view thereof;
FIG. 5 is a second-side elevation view thereof;
FIG. 6 is a top plan view thereof; and,
FIG. 7 is a bottom plan view thereof.
The broken lines in the drawing figures are included to show unclaimed portions only and form no part of the claimed design.

1 Claim, 7 Drawing Sheets



(56)

References Cited

U.S. PATENT DOCUMENTS

D582,107 S * 12/2008 Ha D32/6
 D588,312 S 3/2009 Lee
 D589,216 S 3/2009 Park et al.
 D592,367 S * 5/2009 Crookshanks D32/25
 D606,267 S * 12/2009 Shor D32/6
 D607,619 S * 1/2010 Kim D32/6
 D616,163 S * 5/2010 Nam D32/25
 D622,918 S * 8/2010 Choi D32/25
 D627,114 S * 11/2010 Jeon D32/6
 D631,623 S * 1/2011 Chung D32/6
 D634,492 S * 3/2011 Chung D32/6
 D635,313 S * 3/2011 Jeon D32/6
 D646,859 S * 10/2011 DeSalvo D32/25
 D688,429 S * 8/2013 Meda D32/25
 D688,430 S * 8/2013 Meda D32/25
 D690,061 S * 9/2013 Kim D32/6
 D694,965 S * 12/2013 Lee D32/6
 D695,979 S * 12/2013 Lee D32/6
 D700,409 S * 2/2014 Takahashi D32/25
 D703,886 S * 4/2014 Ha D32/6

D730,601 S * 5/2015 Jinnam D32/25
 D730,602 S * 5/2015 Choi D32/25
 D731,131 S * 6/2015 Ha D32/25
 D732,767 S * 6/2015 Ha D32/25
 D733,372 S * 6/2015 Song D32/6
 D739,095 S * 9/2015 Shu D32/6
 D744,177 S * 11/2015 Jung D32/6
 D747,836 S 1/2016 Cho et al.
 D750,857 S 3/2016 Cho et al.
 D759,909 S 6/2016 Kim et al.
 D767,835 S * 9/2016 Ha D32/25
 2003/0230017 A1 12/2003 Geyer
 2011/0023559 A1 2/2011 Schöne
 2011/0041560 A1* 2/2011 Lee D06F 29/00
 68/9

OTHER PUBLICATIONS

U.S. Notice of Allowance dated Aug. 19, 2016 issued in U.S. Appl. No. 29/537,341.

* cited by examiner

FIG. 1

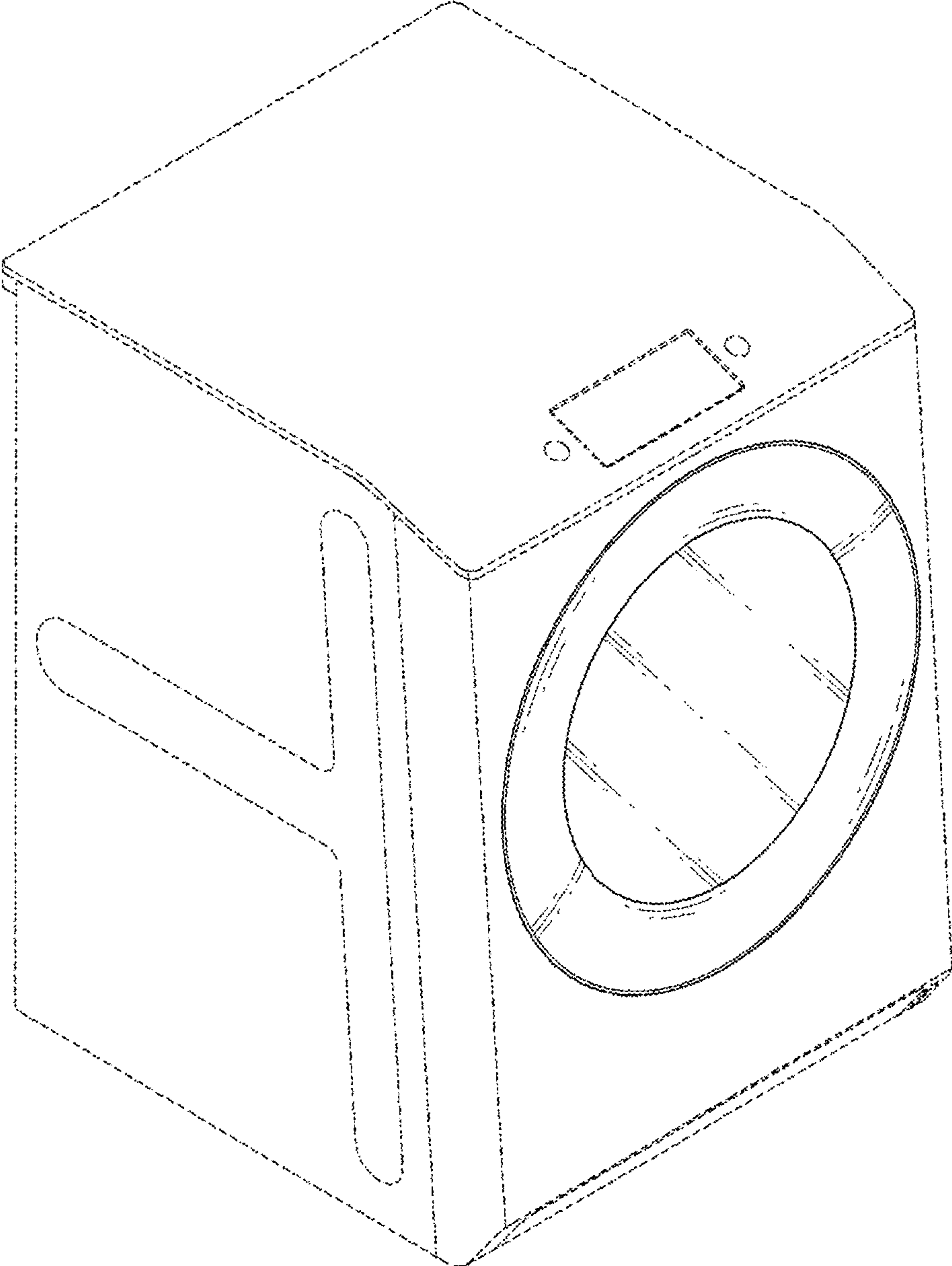


FIG. 2

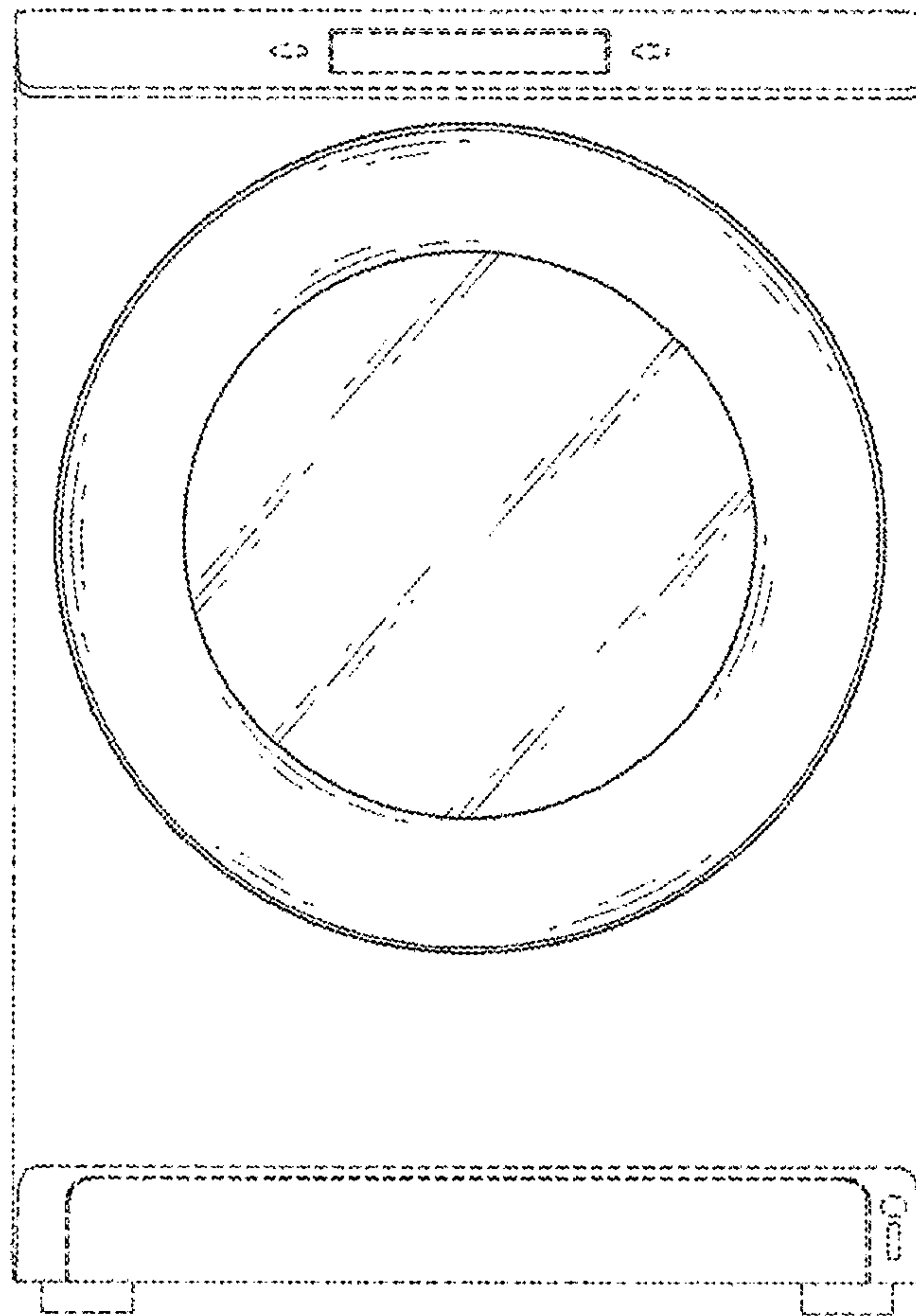


FIG. 3

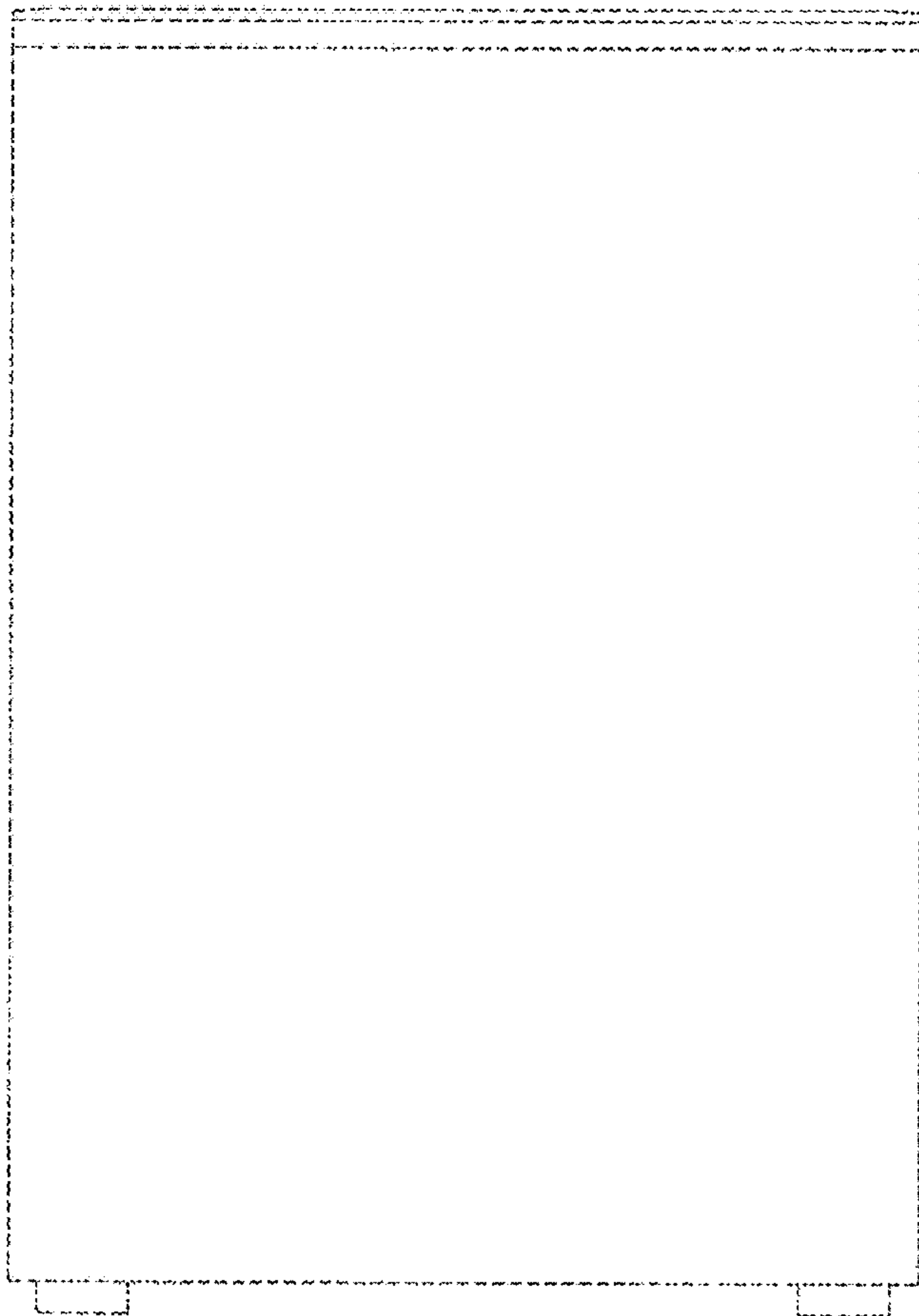


FIG. 4

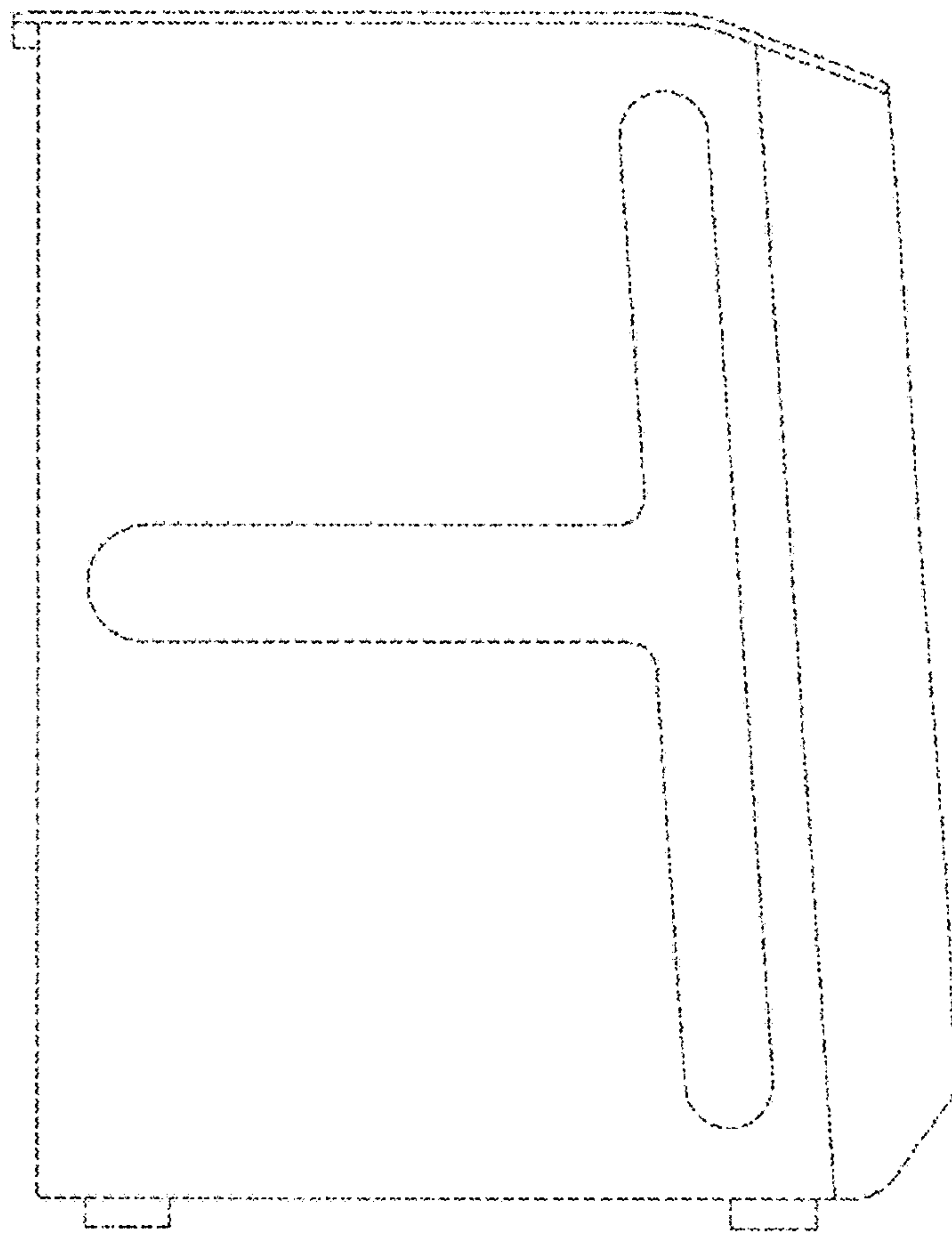


FIG. 5

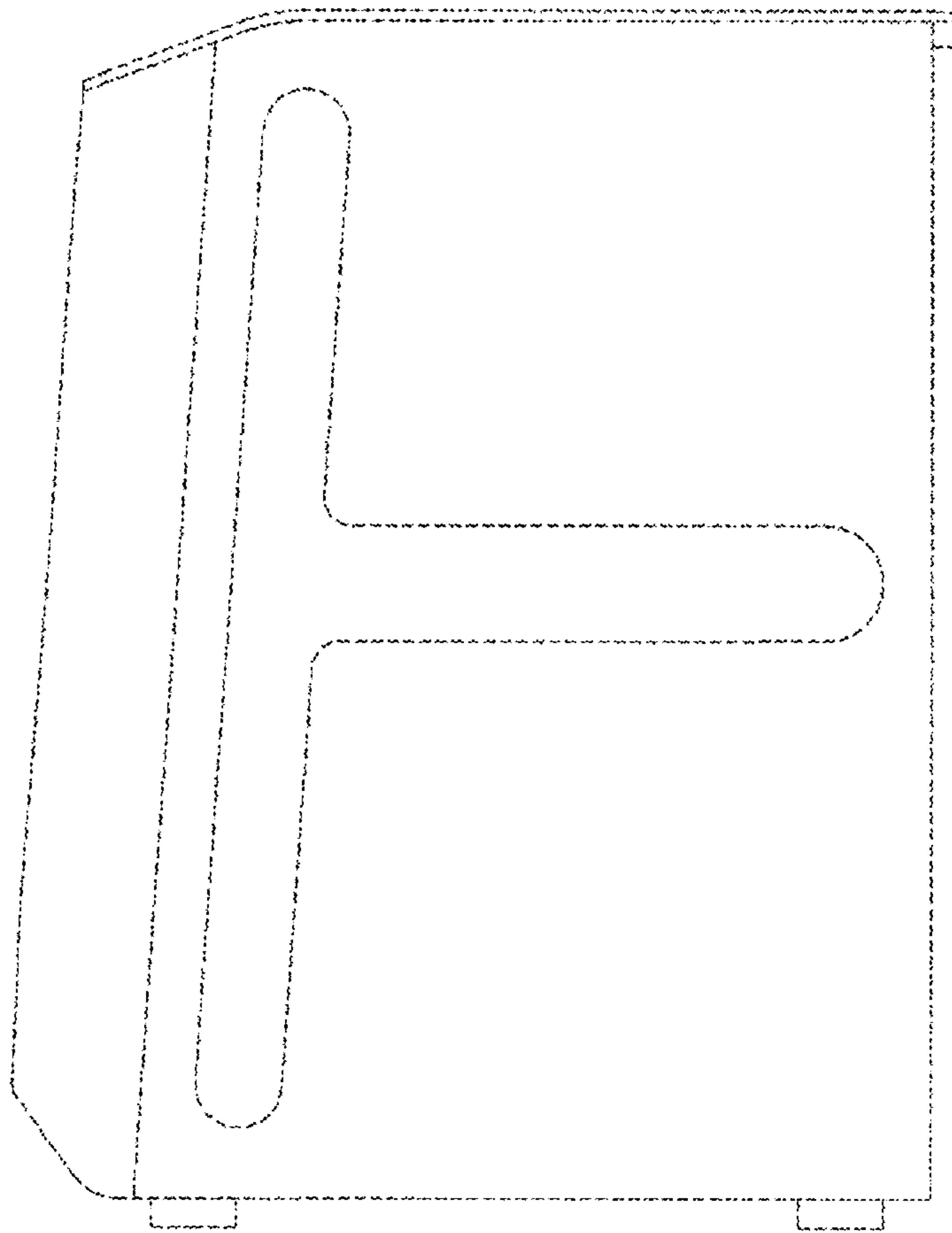


FIG. 6

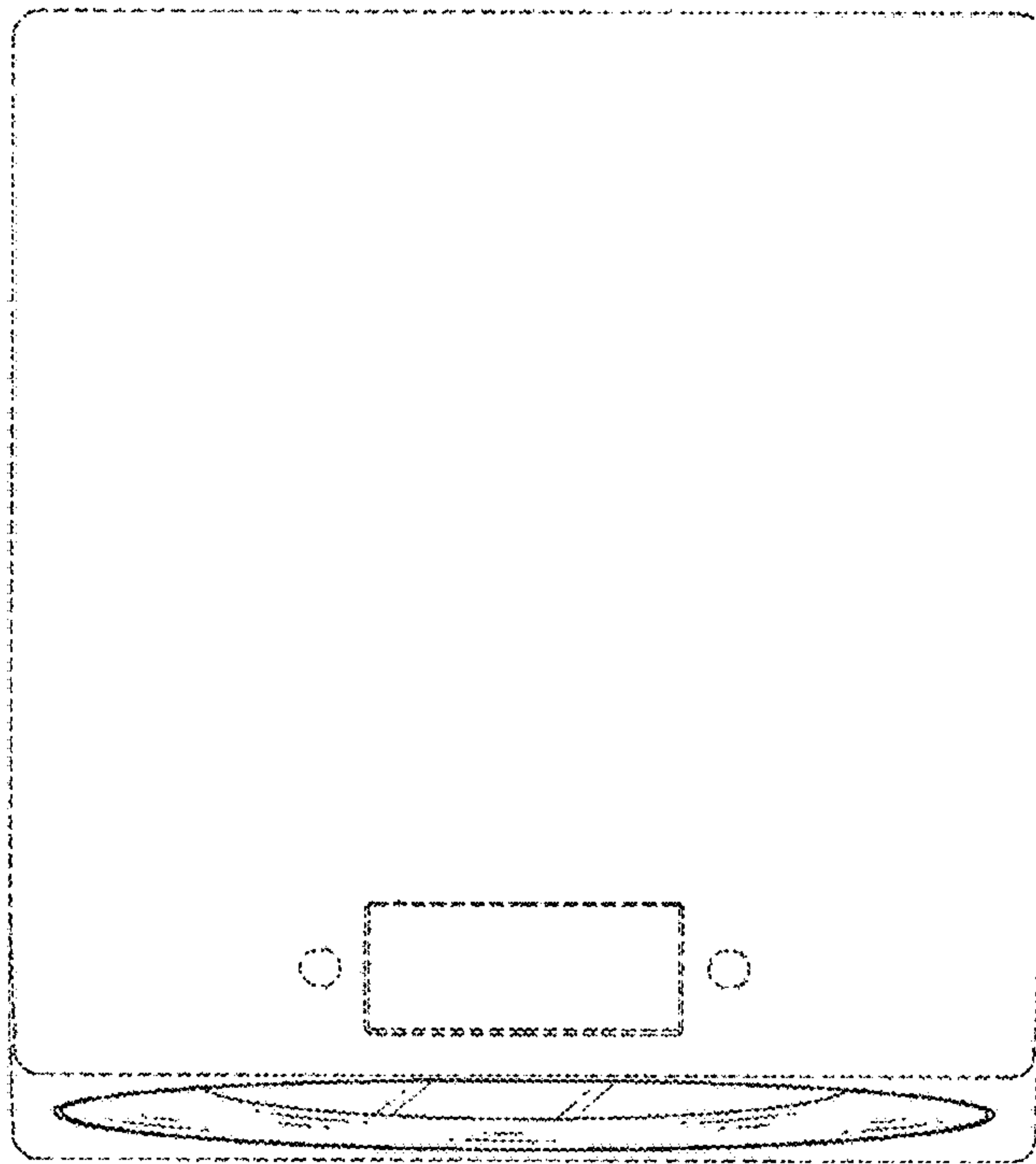
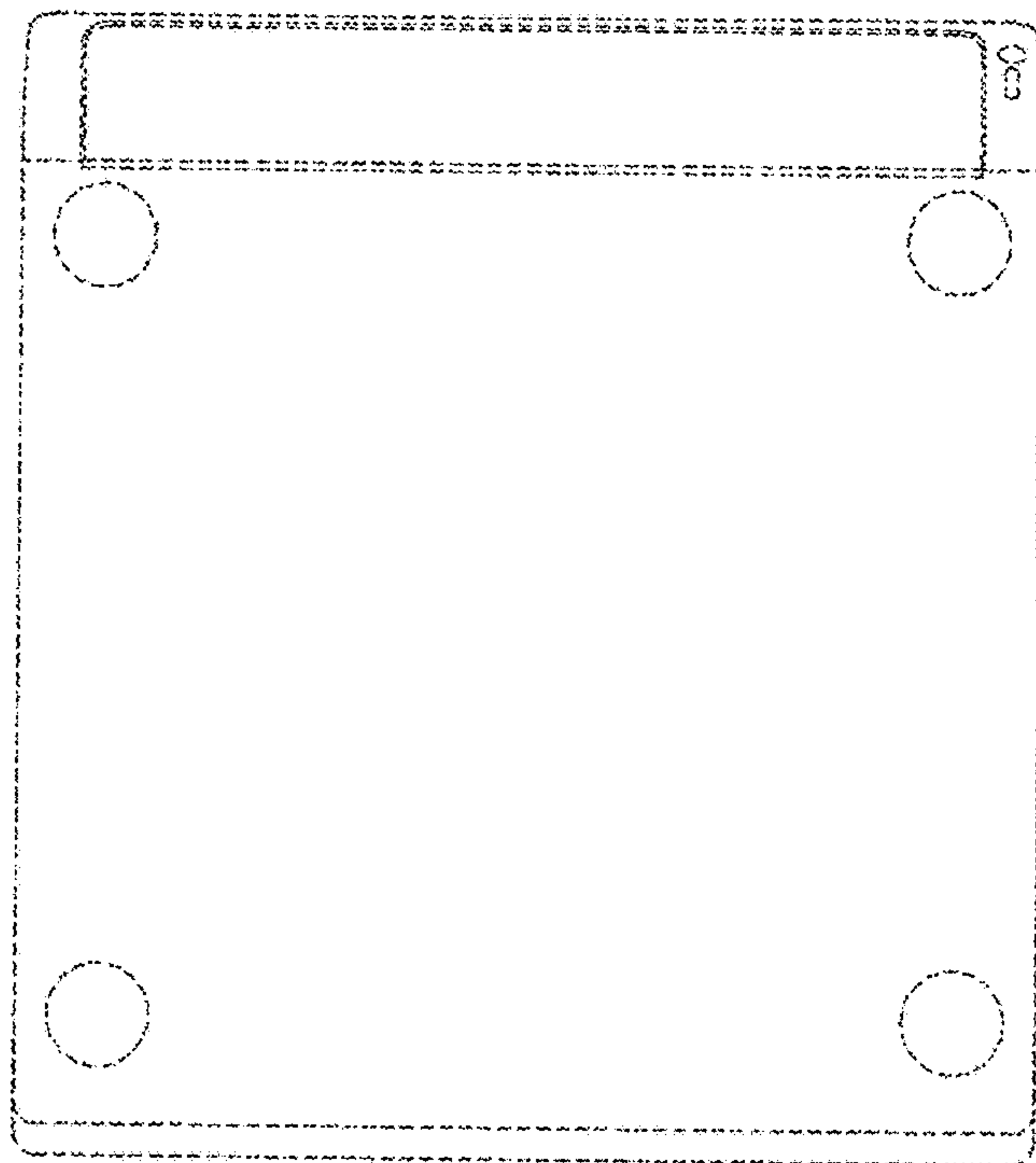


FIG. 7



UNITED STATES PATENT AND TRADEMARK OFFICE
CERTIFICATE OF CORRECTION

PATENT NO. : D836,860 S
APPLICATION NO. : 29/560365
DATED : December 25, 2018
INVENTOR(S) : Youngsoo Ha et al.

Page 1 of 1

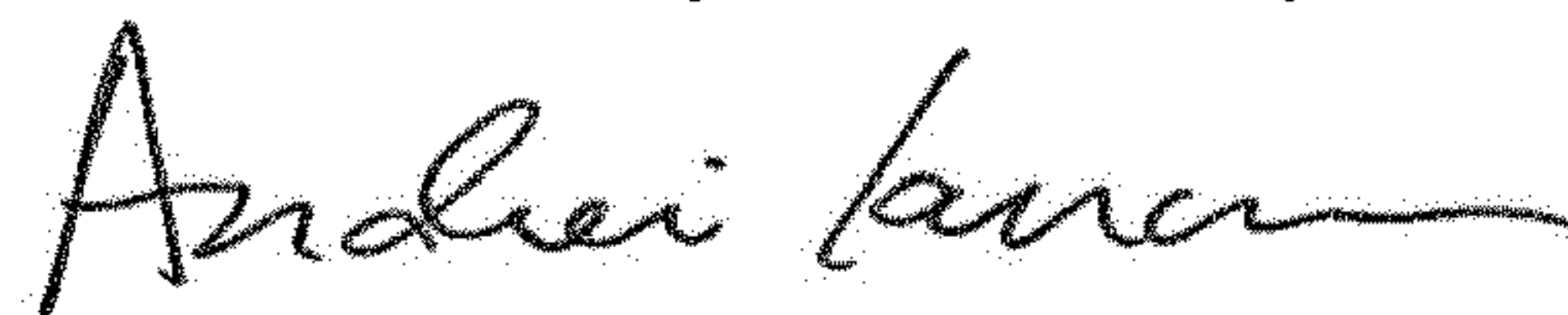
It is certified that error appears in the above-identified patent and that said Letters Patent is hereby corrected as shown below:

On the Title Page

(30) Foreign Application Priority Data, should read:

Mar. 4, 2015 (KR) 30-2015-0011078

Signed and Sealed this
Nineteenth Day of February, 2019



Andrei Iancu
Director of the United States Patent and Trademark Office