



US00D836859S

(12) **United States Design Patent**  
**Bramwell**

(10) **Patent No.:** **US D836,859 S**

(45) **Date of Patent:** **\*\* Dec. 25, 2018**

(54) **LIVESTOCK VACCINATION COOLER**

(71) Applicant: **Darla Louise Bramwell**, Chromo, CO  
(US)

(72) Inventor: **Darla Louise Bramwell**, Chromo, CO  
(US)

(\*\*) Term: **15 Years**

(21) Appl. No.: **29/648,380**

(22) Filed: **May 21, 2018**

**Related U.S. Application Data**

(63) Continuation of application No. 29/599,965, filed on  
Apr. 7, 2017, now Pat. No. Des. 821,665.

(51) **LOC (11) Cl.** ..... **30-99**

(52) **U.S. Cl.**  
USPC ..... **D30/199; D7/605**

(58) **Field of Classification Search**  
USPC ..... D30/199, 121, 133; 119/174;

D7/605-608, 629, 630; D3/272-276,  
D3/282, 905, 283; 220/500, 592.01,  
220/592.03, 592.08, 592.09, 592.1, 592.2,  
220/761; 62/457.7, 457.9, 463, 464;  
206/364

CPC ..... B65D 81/3813; B65D 81/3825; B65D  
81/3823; B65D 81/3888; B65D 81/389;  
B65D 81/3816; B65D 81/3858; B65D  
85/00; A61D 7/00; A47J 41/022; A47G  
19/2288; F25B 19/00; A45C 9/00; A45C  
11/20; F25D 3/08; F25D 3/14; F25D  
2331/804

See application file for complete search history.

(56) **References Cited**

**U.S. PATENT DOCUMENTS**

1,468,563 A \* 9/1923 Girard ..... A47B 13/00  
248/174  
2,061,139 A \* 11/1936 Cohen ..... A45D 40/0087  
132/314

D122,774 S \* 10/1940 Frederick ..... 131/238  
D127,563 S \* 6/1941 Cloutier ..... D7/701  
D177,070 S \* 3/1956 Saunders ..... D27/127  
2,986,438 A \* 5/1961 Smathers ..... A47B 31/06  
108/116  
D194,637 S \* 2/1963 Szantay ..... D7/605  
D201,695 S \* 7/1965 Bieger ..... D7/546  
3,395,550 A \* 8/1968 Dungan ..... F25D 3/08  
62/400  
3,478,457 A \* 11/1969 Watkins ..... A47G 23/0208  
211/75  
D247,533 S \* 3/1978 Noyes ..... D6/514  
D248,713 S \* 8/1978 Dedrick ..... D11/143  
D260,472 S \* 9/1981 Turcotte, Jr. .... D7/708  
D269,041 S \* 5/1983 Dohogne ..... D24/140

(Continued)

*Primary Examiner* — Susan Moon Lee

(74) *Attorney, Agent, or Firm* — Dunlap Bennett &  
Ludwig PLLC; Brendan E. Squire

(57) **CLAIM**

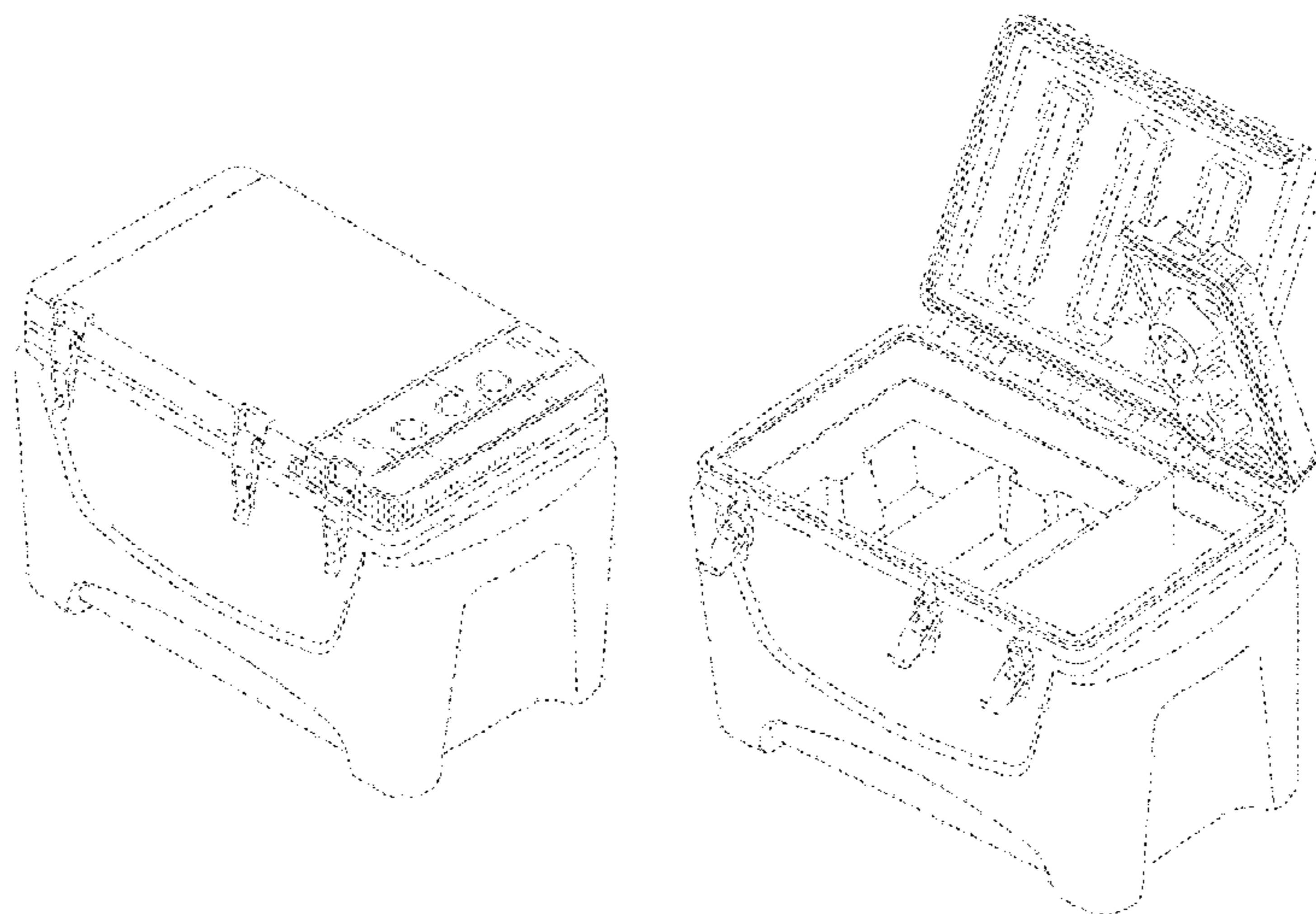
The ornamental design for a livestock vaccination cooler, as  
shown and described.

**DESCRIPTION**

FIG. 1 is a top front perspective view of a livestock  
vaccination cooler showing my new design;  
FIG. 2 is a front elevation view thereof;  
FIG. 3 is a rear elevation view thereof;  
FIG. 4 is a top plan view thereof;  
FIG. 5 is a bottom plan view thereof;  
FIG. 6 is a right elevation view thereof;  
FIG. 7 is a left elevation view thereof; and,  
FIG. 8 is a top front perspective view thereof, shown with lid  
open.

The broken lines shown in the drawings illustrate portions of  
the livestock vaccination cooler that form no part of the  
claimed design.

**1 Claim, 5 Drawing Sheets**



(56)

References Cited

U.S. PATENT DOCUMENTS

D282,206 S *	1/1986	Roy	D24/230	D728,941 S *	5/2015	Stoeckmann	D3/313
D288,484 S *	2/1987	Mitchell	D24/230	D732,327 S *	6/2015	Ciuksza, Jr.	D7/300
D301,575 S *	6/1989	Crawford, Jr.	D13/119	D738,039 S *	9/2015	Chen	D27/183
D311,301 S *	10/1990	Starnes	D7/706	D744,159 S *	11/2015	Lukas	D27/172
5,064,088 A *	11/1991	Steffes	A45C 11/20	9,282,797 B1 *	3/2016	Soto	A45C 11/20
			220/837	9,345,238 B1 *	5/2016	Higginbotham	A01K 97/05
D323,245 S *	1/1992	Hobson	D3/313	9,389,010 B1 *	7/2016	Booker, Sr.	B62B 3/02
D323,400 S *	1/1992	Frenkel	D24/230	D770,896 S *	11/2016	Johansson	D9/456
D324,192 S *	2/1992	Waltel, Jr.	D11/164	D783,284 S *	4/2017	Hecht	D3/304
D339,869 S *	9/1993	Schea, III	D24/224	9,623,890 B1 *	4/2017	Horowitz	B62B 3/022
5,305,544 A *	4/1994	Testa, Jr.	A01K 97/05	D786,022 S *	5/2017	Ravenscraft, Jr.	D7/605
			206/315.11	9,732,550 B2 *	8/2017	Lubotta	E05G 1/08
5,306,469 A *	4/1994	Iles	B01L 9/06	9,743,728 B1 *	8/2017	McConnell	A45C 5/14
			206/562	D797,518 S *	9/2017	Pavia, III	D7/605
D347,324 S *	5/1994	Dickinson	D3/272	D800,184 S *	10/2017	Suess	D15/79
D351,087 S *	10/1994	Anderson	D7/541	D805,356 S *	12/2017	Li	D7/605
D359,127 S *	6/1995	Biesecker	D24/227	D805,357 S *	12/2017	Li	D7/605
D381,515 S *	7/1997	Haynes	D24/224	D806,483 S *	1/2018	Stanford	D7/605
D407,243 S *	3/1999	Thoesen	D12/425	D807,129 S *	1/2018	Martinez	D7/701
5,911,472 A *	6/1999	Toth	A47C 7/62	D807,707 S *	1/2018	Grepper	D7/605
			297/188.14	D807,708 S *	1/2018	Grepper	D7/605
D414,987 S *	10/1999	Moffett, III	D7/605	D810,679 S *	2/2018	Patton	D13/108
D417,126 S *	11/1999	Arnfelt	D7/605	D815,920 S *	4/2018	Moffett, III	D7/605
D445,307 S *	7/2001	Fickle	D7/605	D815,922 S *	4/2018	Moffett, III	D7/608
D446,311 S *	8/2001	Wescott, III	D24/230	D821,665 S *	6/2018	Bramwell	D30/199
D452,938 S *	1/2002	Lai	D27/189	D824,730 S *	8/2018	Guerdrum	D7/605
6,364,329 B1 *	4/2002	Holub	A45C 5/14	2002/0117504 A1 *	8/2002	Emerson	A47G 29/14
			280/47.26				220/592.03
D486,357 S *	2/2004	Leba	D7/605	2003/0139169 A1 *	7/2003	Arreazola, Jr.	H04B 1/086
D494,021 S *	8/2004	Huthmaker	D7/605				455/344
6,920,986 B2 *	7/2005	Lacombe	B25H 3/003	2004/0093892 A1 *	5/2004	Abfalter	F25D 3/08
			211/70.6				62/457.7
D514,891 S *	2/2006	Garcia	D7/605	2004/0178208 A1 *	9/2004	Leba	F25D 3/08
D515,941 S *	2/2006	Hamblin	D24/230				220/761
D545,633 S *	7/2007	Hussaini	D7/605	2005/0230936 A1 *	10/2005	Van Horn	A45C 7/0022
7,389,608 B1 *	6/2008	MacKay	A01K 97/05				280/641
			206/315.11	2005/0263527 A1 *	12/2005	Maldonado	A45C 11/20
D589,626 S *	3/2009	Petersen	D24/230				220/592.2
D591,866 S *	5/2009	Malkin	D24/227	2008/0179847 A1 *	7/2008	DeFrancia	B62B 1/18
D608,609 S *	1/2010	Eaton	D7/701				280/47.26
8,069,939 B1 *	12/2011	Metzler	B62B 3/02	2009/0217699 A1 *	9/2009	Ball	A45C 11/20
			180/19.1				62/457.7
8,256,156 B1 *	9/2012	Burgoyne, Jr.	A01K 97/06	2010/0287976 A1 *	11/2010	Roof	F25D 3/08
			206/315.11				62/457.7
D674,245 S *	1/2013	Williams, Jr.	D7/605	2011/0056233 A1 *	3/2011	Flaker	A63B 71/023
D688,071 S *	8/2013	Mount	D6/677				62/457.7
8,499,961 B1 *	8/2013	Goldenberg	A47J 43/00	2011/0203297 A1 *	8/2011	Oberweis	F25D 3/14
			220/507				62/56
8,561,960 B2 *	10/2013	Sinclair	B62D 33/0621	2011/0226003 A1 *	9/2011	Chaney	A45C 5/065
			135/88.08				62/457.7
D699,085 S *	2/2014	Reid, Jr.	D7/701	2012/0132657 A1 *	5/2012	Seiders	B65D 81/3816
D703,001 S *	4/2014	Gross	D7/555				220/592.2
D708,019 S *	7/2014	Cavazos	D7/605	2015/0108702 A1 *	4/2015	Quanh	A47J 47/005
D712,091 S *	8/2014	Liu	D27/186				269/289 R
D714,958 S *	10/2014	Smeja	D24/230	2016/0153690 A1 *	6/2016	Patsis	F25D 3/08
8,925,752 B2 *	1/2015	Smith	F25D 3/08				222/608
			220/23.4	2016/0279840 A1 *	9/2016	French	B29C 41/042
D723,023 S *	2/2015	Miles	D14/253	2017/0234596 A1 *	8/2017	Patsis	B67D 3/0061
D723,712 S *	3/2015	Tajima	D24/227				220/592.2
				2018/0149400 A1 *	5/2018	Valencia	F25D 3/08

\* cited by examiner

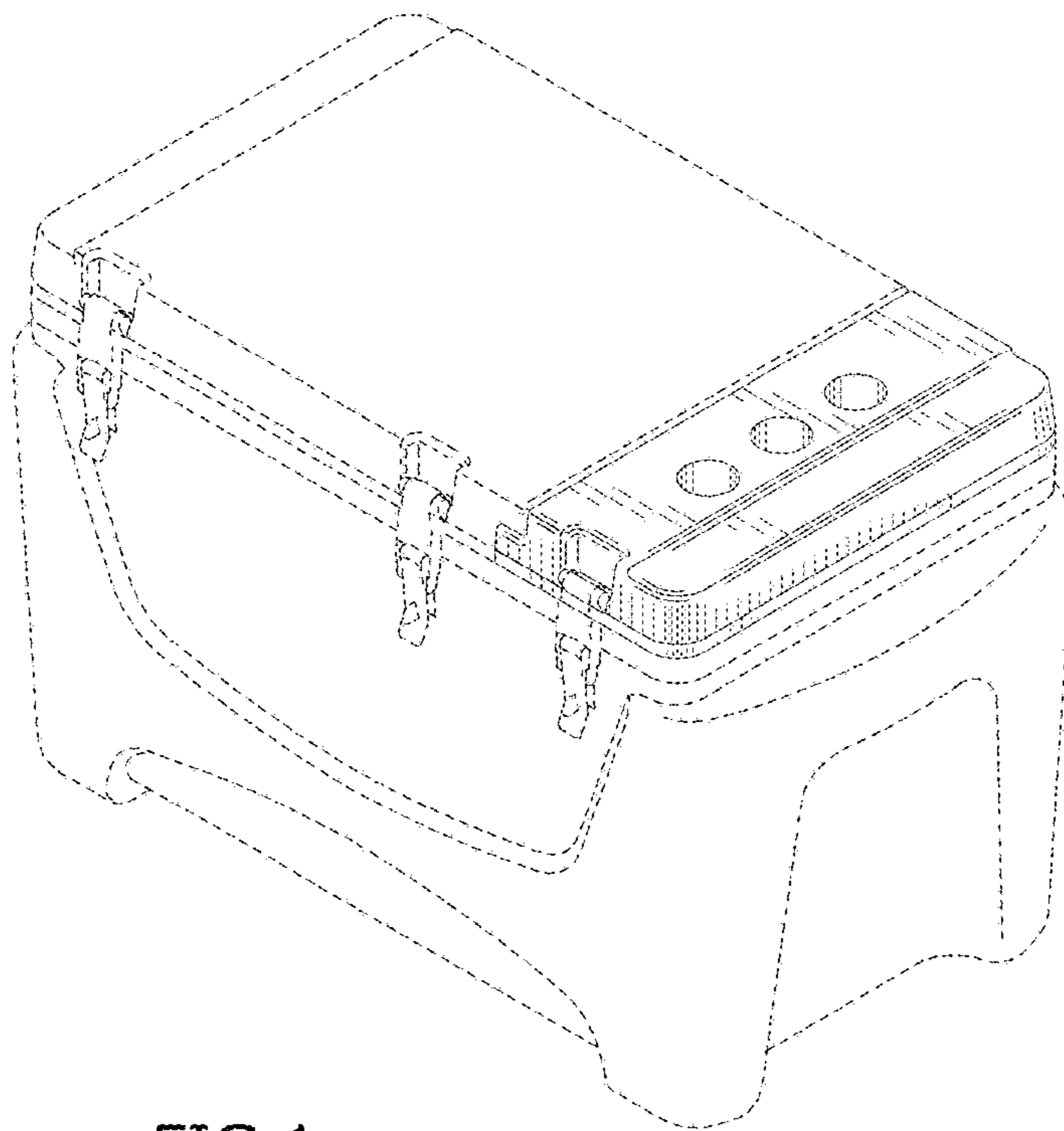


FIG.1

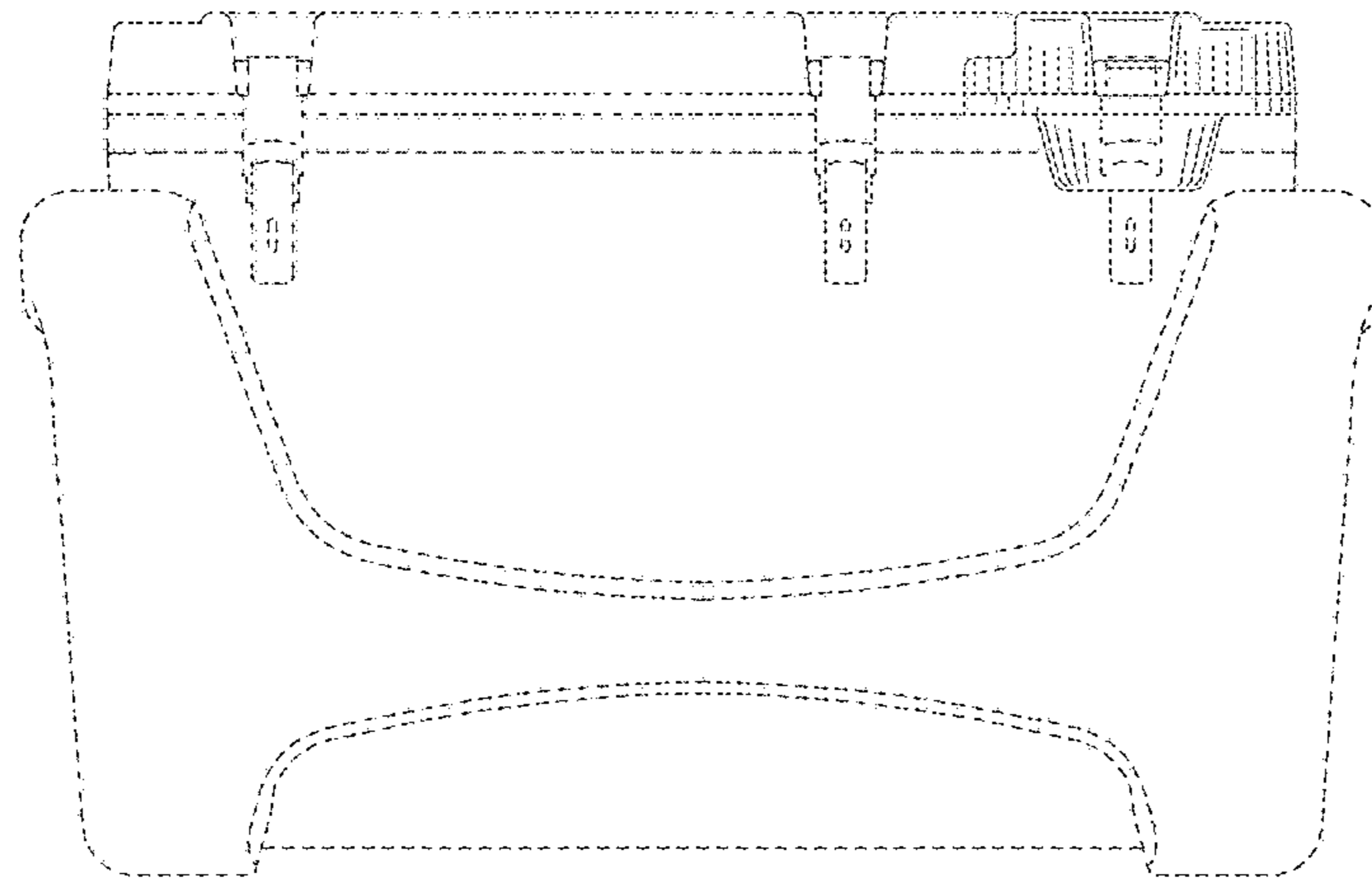


FIG. 2

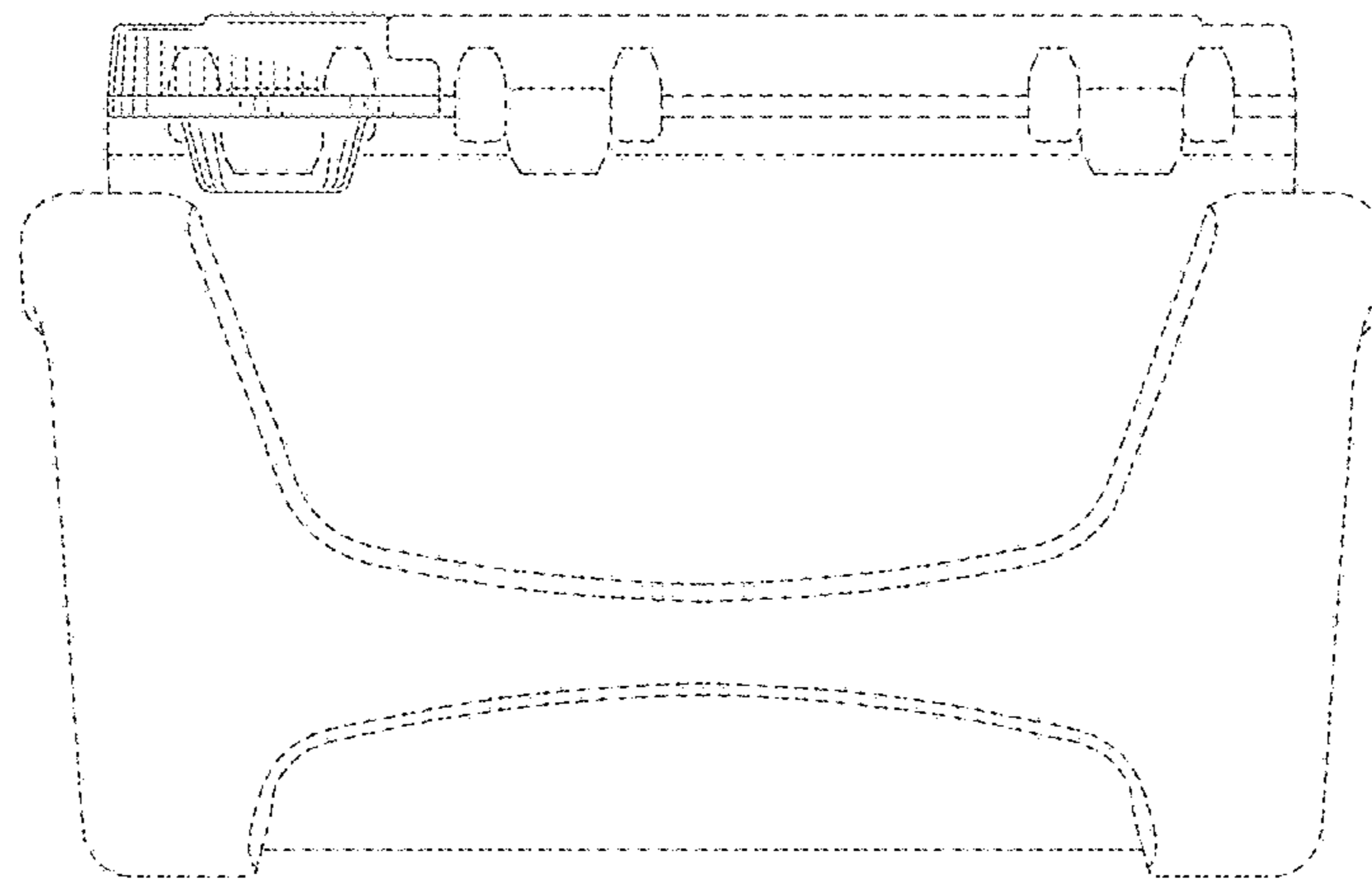


FIG. 3

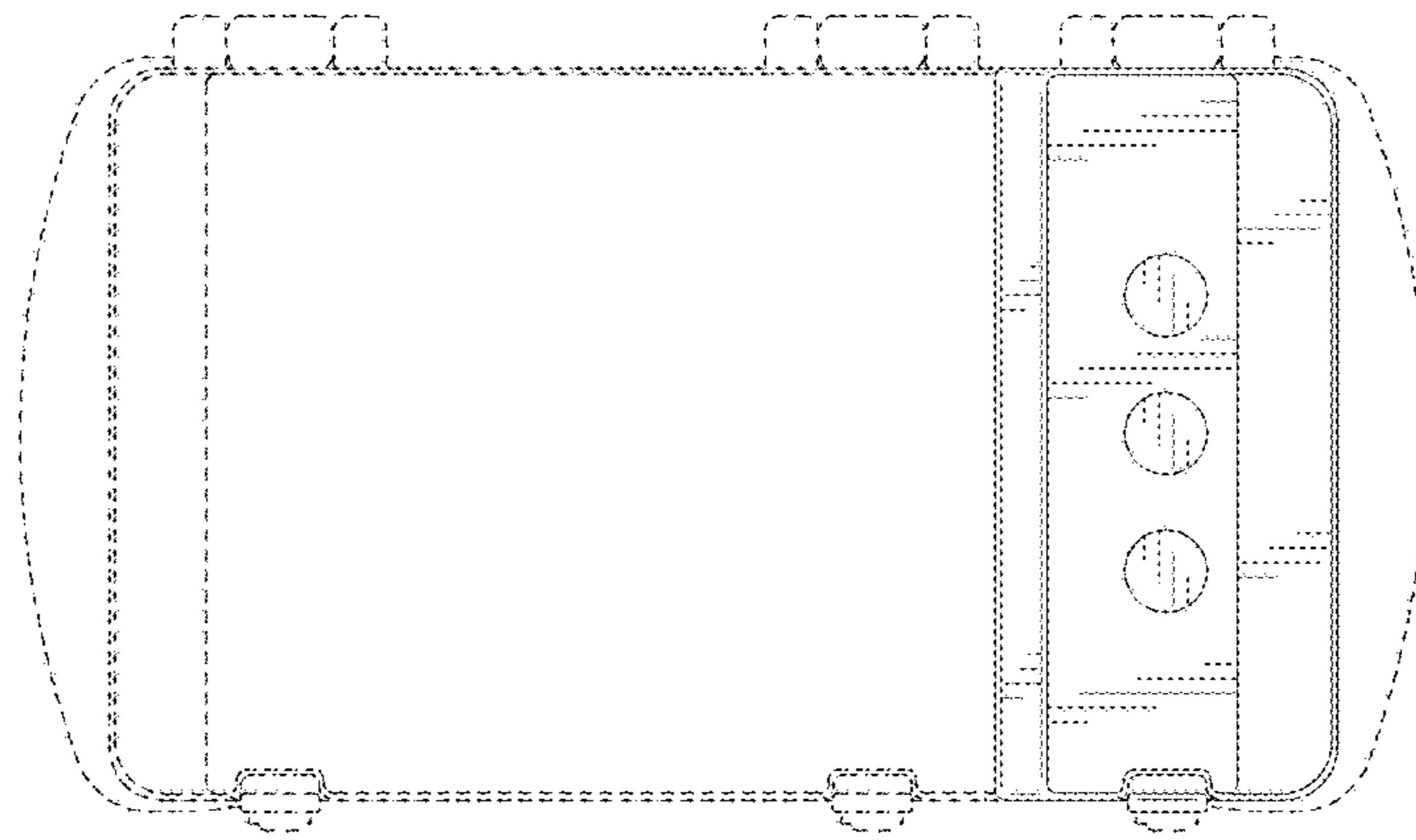


FIG. 4

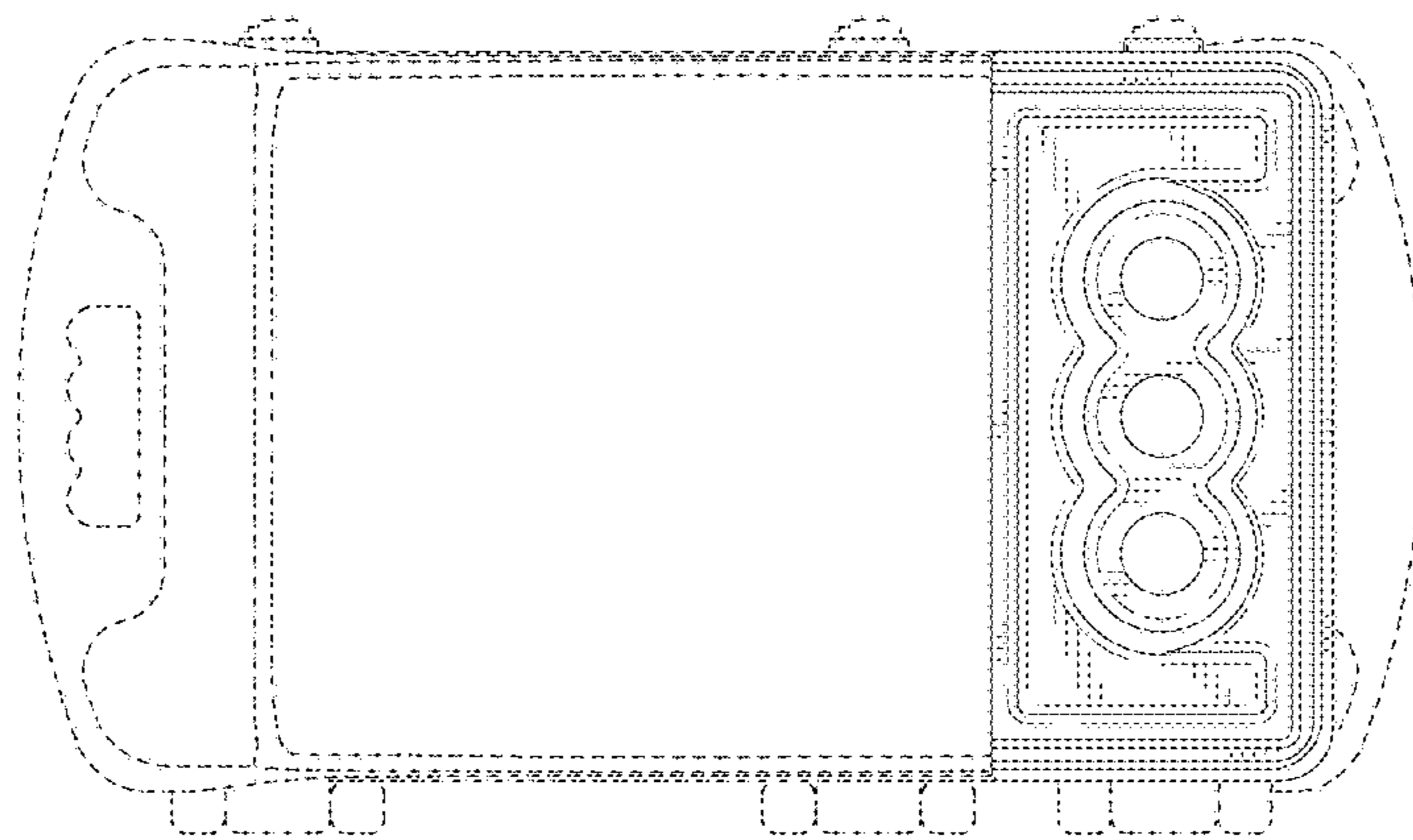


FIG. 5

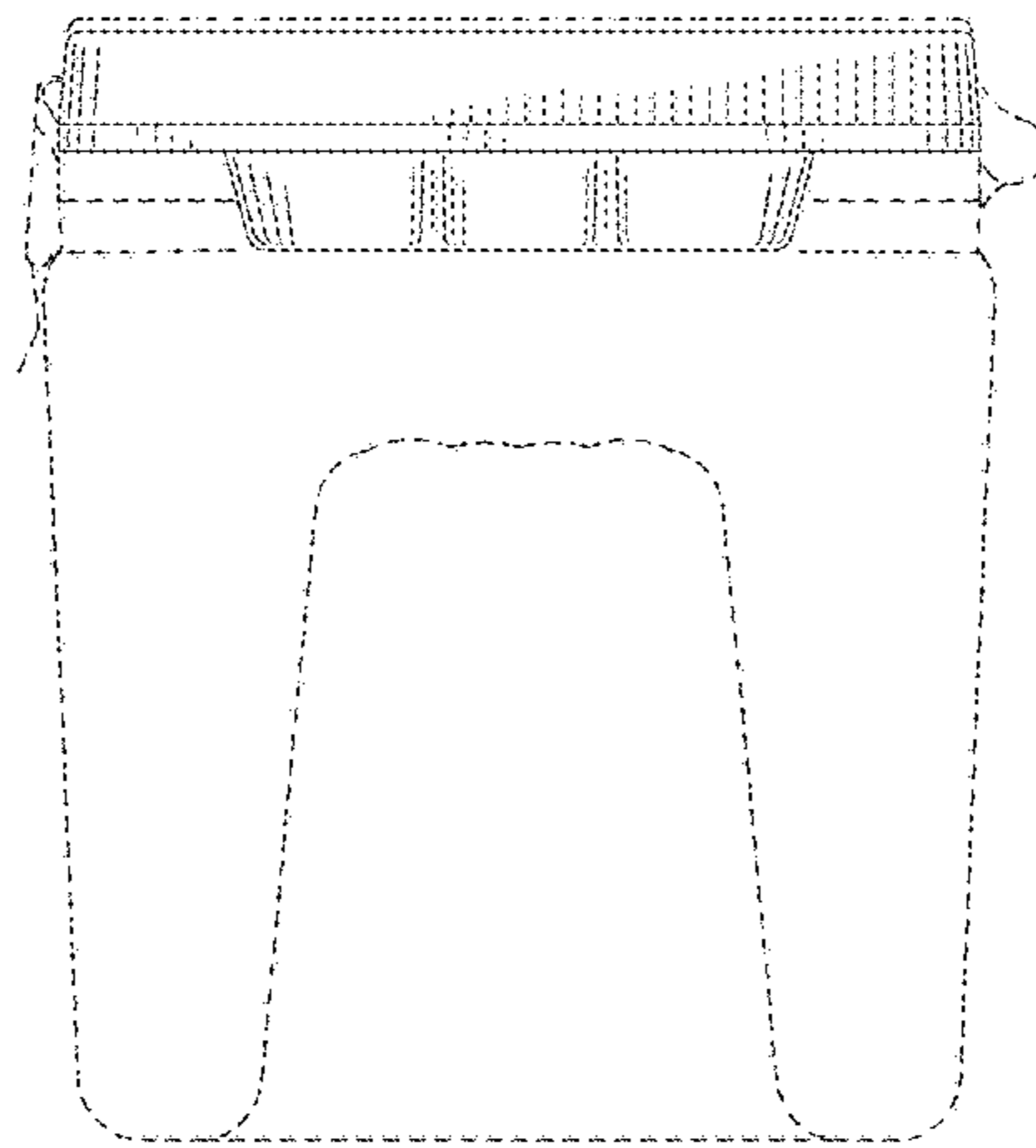


FIG. 6

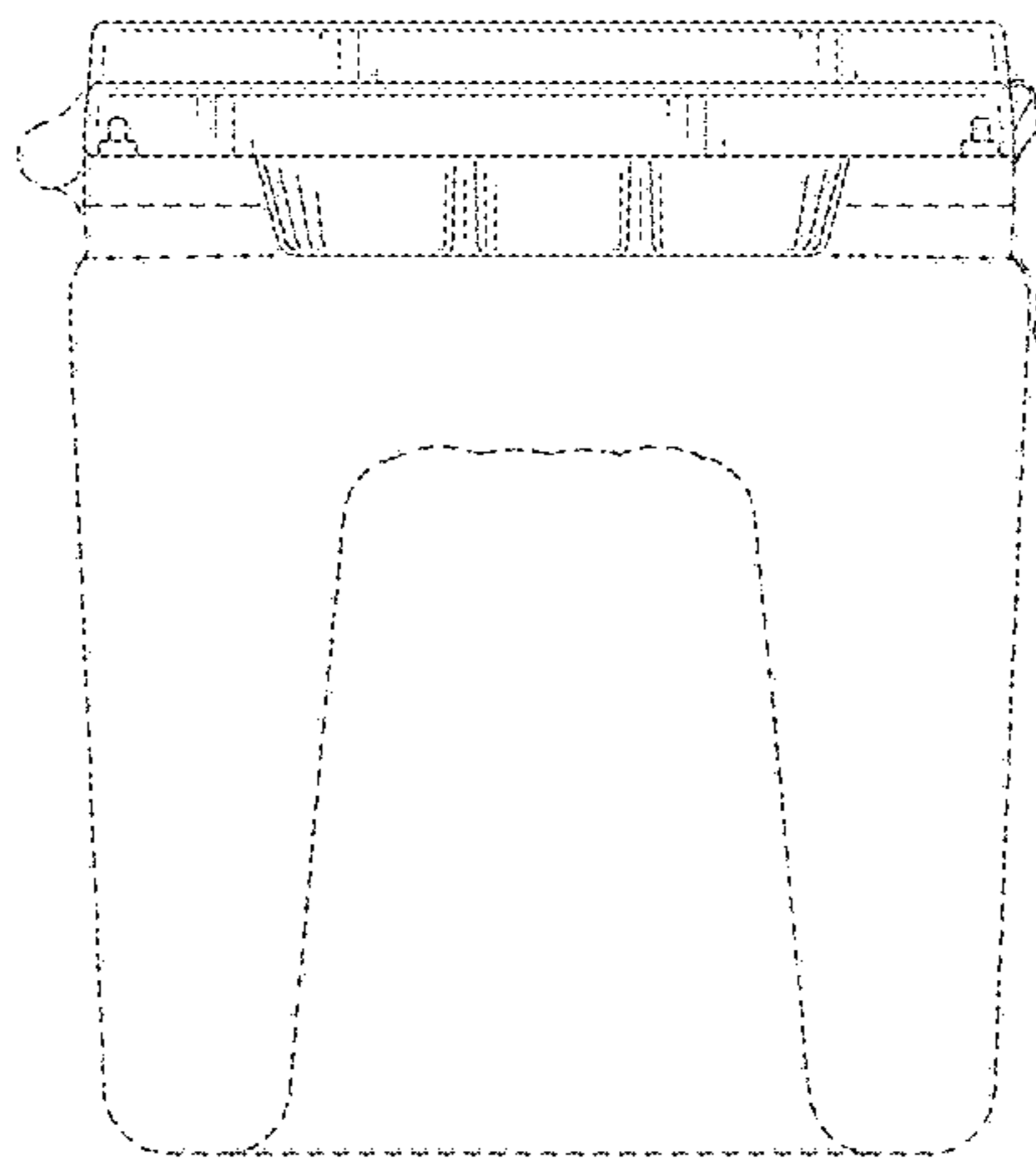


FIG. 7

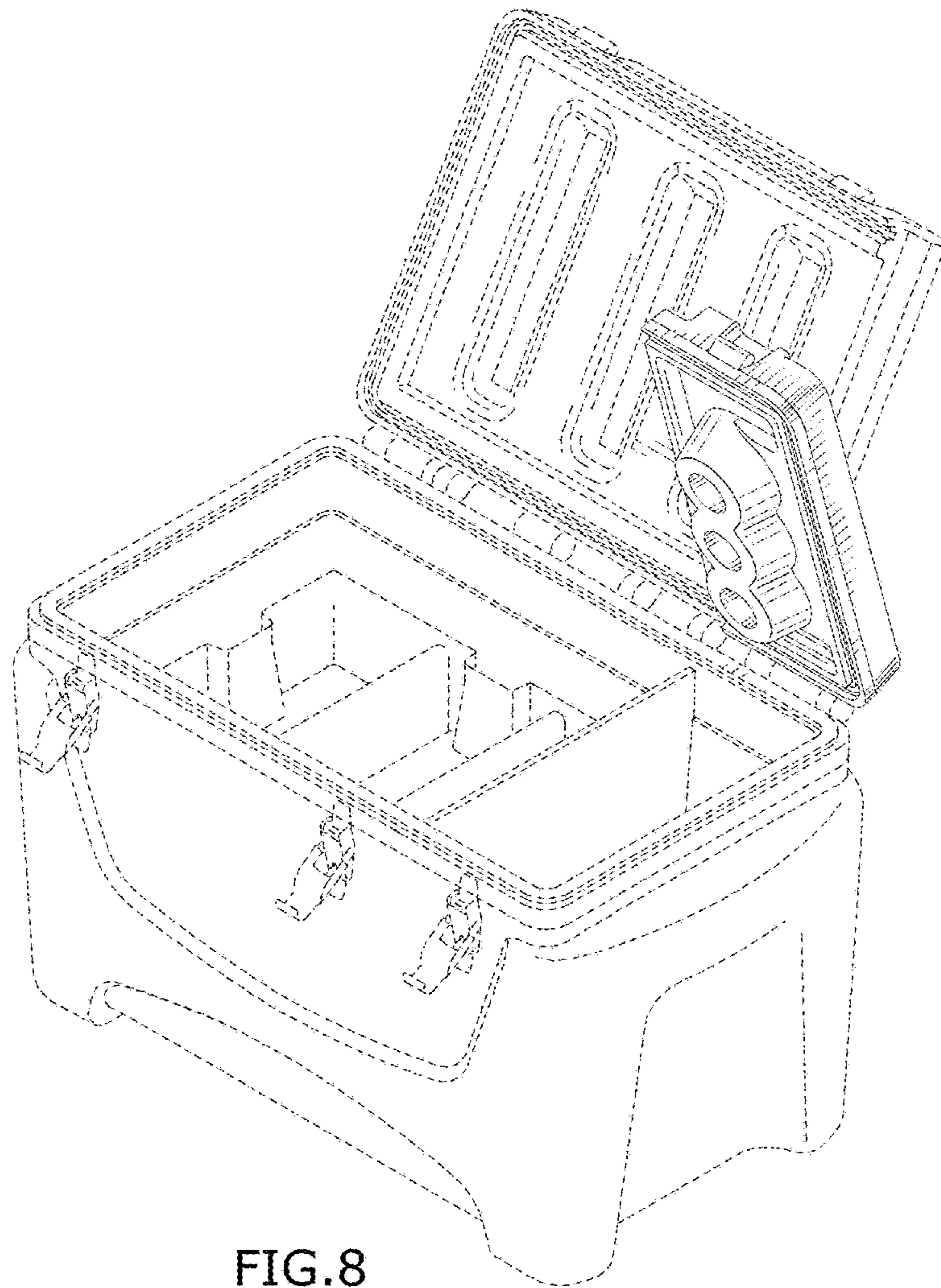


FIG. 8