



US00D836852S

(12) **United States Design Patent**  
**Abbott**

(10) **Patent No.:** **US D836,852 S**

(45) **Date of Patent:** **\*\* Dec. 25, 2018**

- (54) **PET BOWL**
- (71) Applicant: **Brian F. Abbott**, Fort Worth, TX (US)
- (72) Inventor: **Brian F. Abbott**, Fort Worth, TX (US)
- (\*\*) Term: **15 Years**
- (21) Appl. No.: **29/527,170**
- (22) Filed: **May 15, 2015**
- (51) **LOC (11) Cl.** ..... **30-03**
- (52) **U.S. Cl.**  
USPC ..... **D30/129**
- (58) **Field of Classification Search**  
USPC .... D30/121, 122, 129-133; 119/61.5, 51.01,  
119/61.56, 51.03, 59, 62, 63, 51.5, 57.8,  
119/74, 61.54, 61.55, 61; 312/204;  
248/151, 188; 108/156, 153.1-157;  
220/23.87, 630, 737, 743, 9.4, 495.01,  
220/574, 212, 255, 23.83, 575; 206/515;  
D7/586, 543, 550.1, 587, 505, 584, 545,  
D7/500, 553.1-553.8, 546, 555, 556, 504,  
D7/565, 562, 602, 507, 549, 558, 552.2,  
D7/560, 566, 548, 681; D9/429; 43/109;  
D22/122; 99/430, DIG. 15  
CPC ..... A01K 5/01-5/0142; A01K 7/005  
See application file for complete search history.

- 4,528,913 A \* 7/1985 Randolph ..... B61D 7/20  
105/282.2
- 5,027,478 A \* 7/1991 Suhr ..... B65H 75/36  
137/355.16
- D340,942 S \* 11/1993 Smith ..... D15/29
- D437,411 S \* 2/2001 Maeji ..... D24/127
- D445,502 S \* 7/2001 Maeji ..... D24/130
- D504,809 S \* 5/2005 Sato ..... D8/382

(Continued)

**OTHER PUBLICATIONS**

“Power Ranger Gear-Shaped Bowls”, Jun. 2015, 1 page, <http://www.ebay.com.au/itm/SET-OF-4-POWER-RANGERS-GEAR-SHAPED-BOWLS-/161043776403>.\*

*Primary Examiner* — Susan Moon Lee  
(74) *Attorney, Agent, or Firm* — Geoffrey E. Dobbin;  
Dobbin IP Law P. C.

(57) **CLAIM**

The ornamental design for a pet bowl, as shown and described.

**DESCRIPTION**

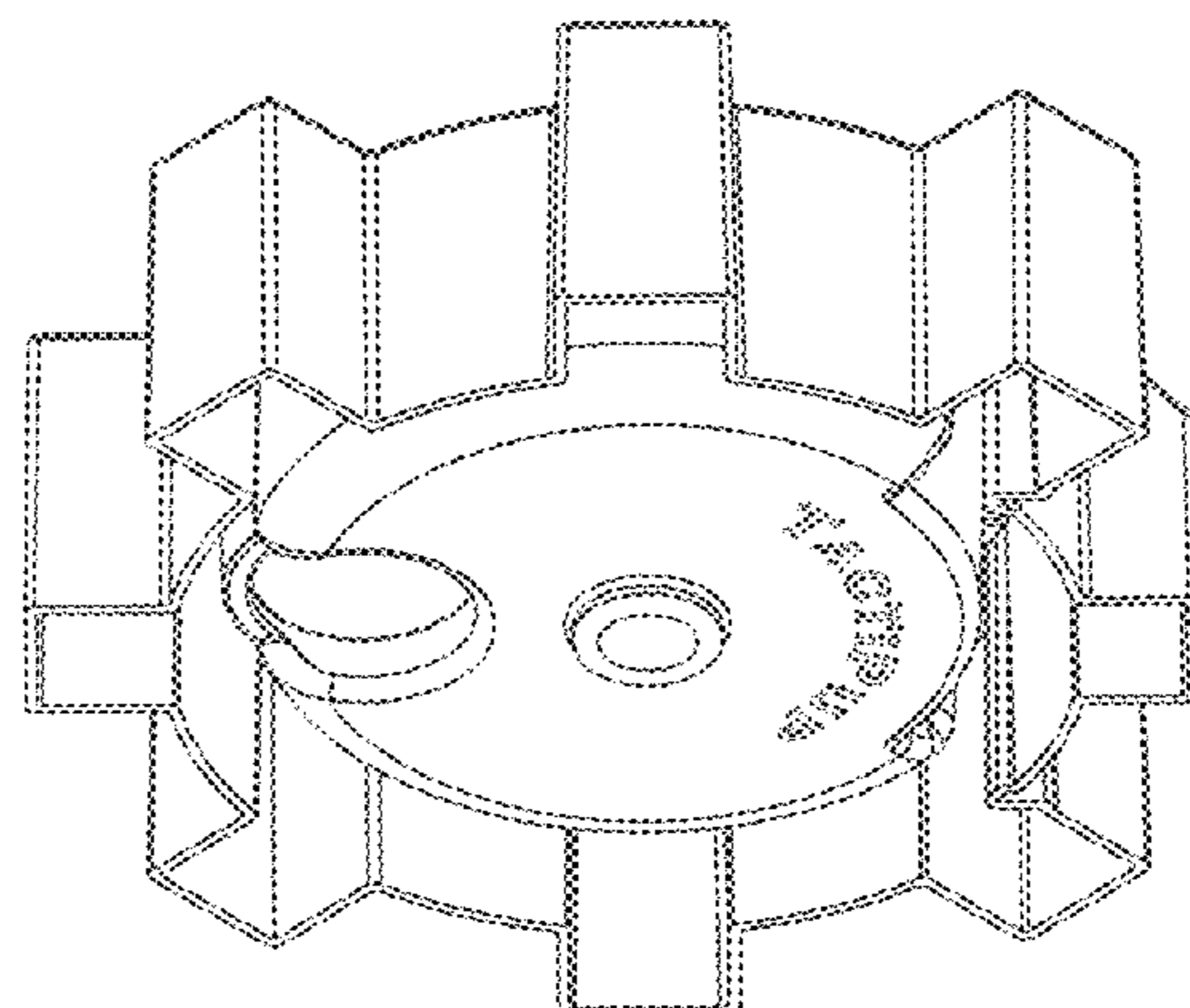
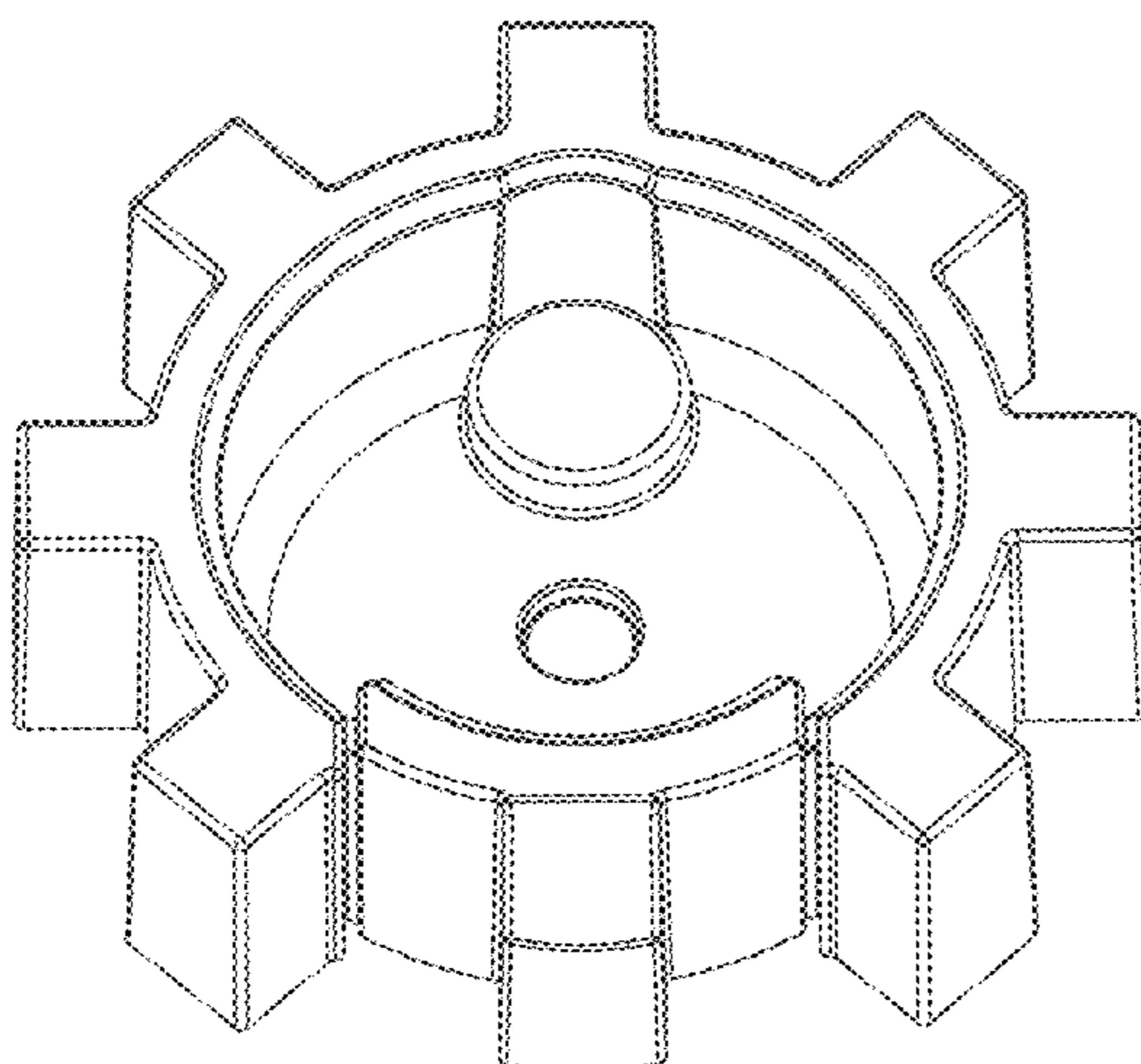
FIG. 1 is a top perspective view of the pet bowl.  
 FIG. 2 is a top plan view of the pet bowl.  
 FIG. 3 is a bottom plan view of the pet bowl.  
 FIG. 4 is a front view of the pet bowl.  
 FIG. 5 is a rear elevation of the pet bowl.  
 FIG. 6 is an alternate top perspective view of the pet bowl.  
 FIG. 7 is a further alternate top perspective view of the pet bowl.  
 FIG. 8 is a bottom perspective view of the pet bowl.  
 FIG. 9 is an alternate bottom perspective view of the pet bowl; and,  
 FIG. 10 is a further alternate bottom perspective view of the pet bowl.  
 The broken lines in FIGS. 3, and 8-10 depict surface markings and are illustrative of environment and not intended to form a part of the claimed design.

**1 Claim, 8 Drawing Sheets**

(56) **References Cited**

**U.S. PATENT DOCUMENTS**

- D31,899 S \* 11/1899 Brown ..... D23/411
- 1,392,361 A \* 10/1921 Sears ..... B23F 21/106  
407/28
- 1,809,868 A \* 6/1931 Simmons ..... B23F 21/10  
407/28
- 1,881,382 A \* 10/1932 Wildhaber ..... B23F 19/045  
451/164
- 2,274,761 A \* 3/1942 Wildhaber ..... B23F 1/08  
407/21
- D155,357 S \* 9/1949 O'Rourke ..... D13/179
- D239,118 S \* 3/1976 Branson ..... D13/179



(56)

**References Cited**

U.S. PATENT DOCUMENTS

D513,471 S *	1/2006	Sato .....	D8/382
D534,416 S *	1/2007	Kelleghan .....	D8/356
7,352,097 B2 *	4/2008	Fukasaku .....	H02K 3/12 310/180
D572,578 S *	7/2008	Sato .....	D8/382
D612,007 S *	3/2010	Brockdorff .....	D23/207
D653,523 S *	2/2012	Wackwitz .....	D15/138
D675,130 S *	1/2013	Senn .....	D12/42
D683,616 S *	6/2013	Noumi .....	D8/356

\* cited by examiner

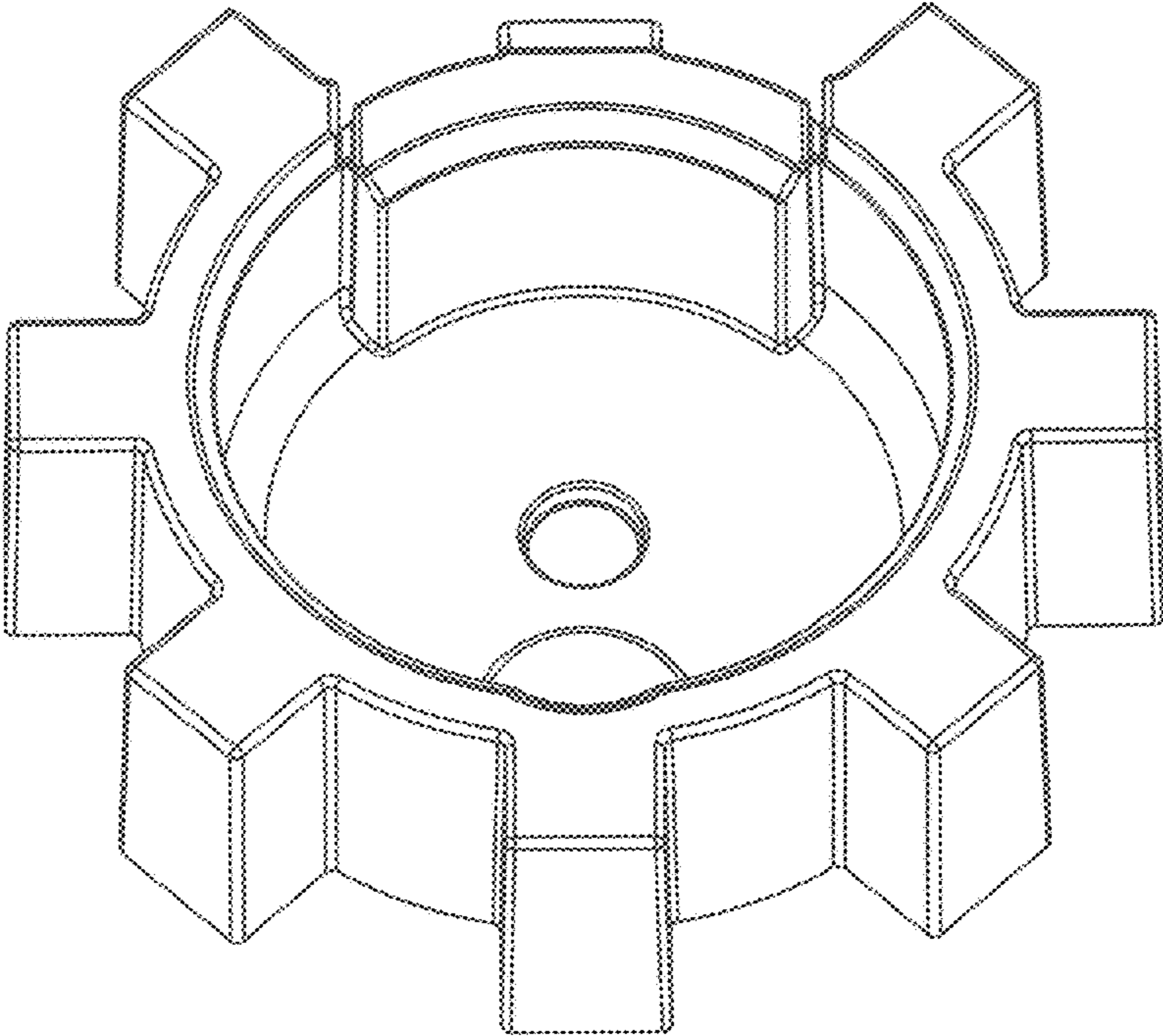


FIG. 1

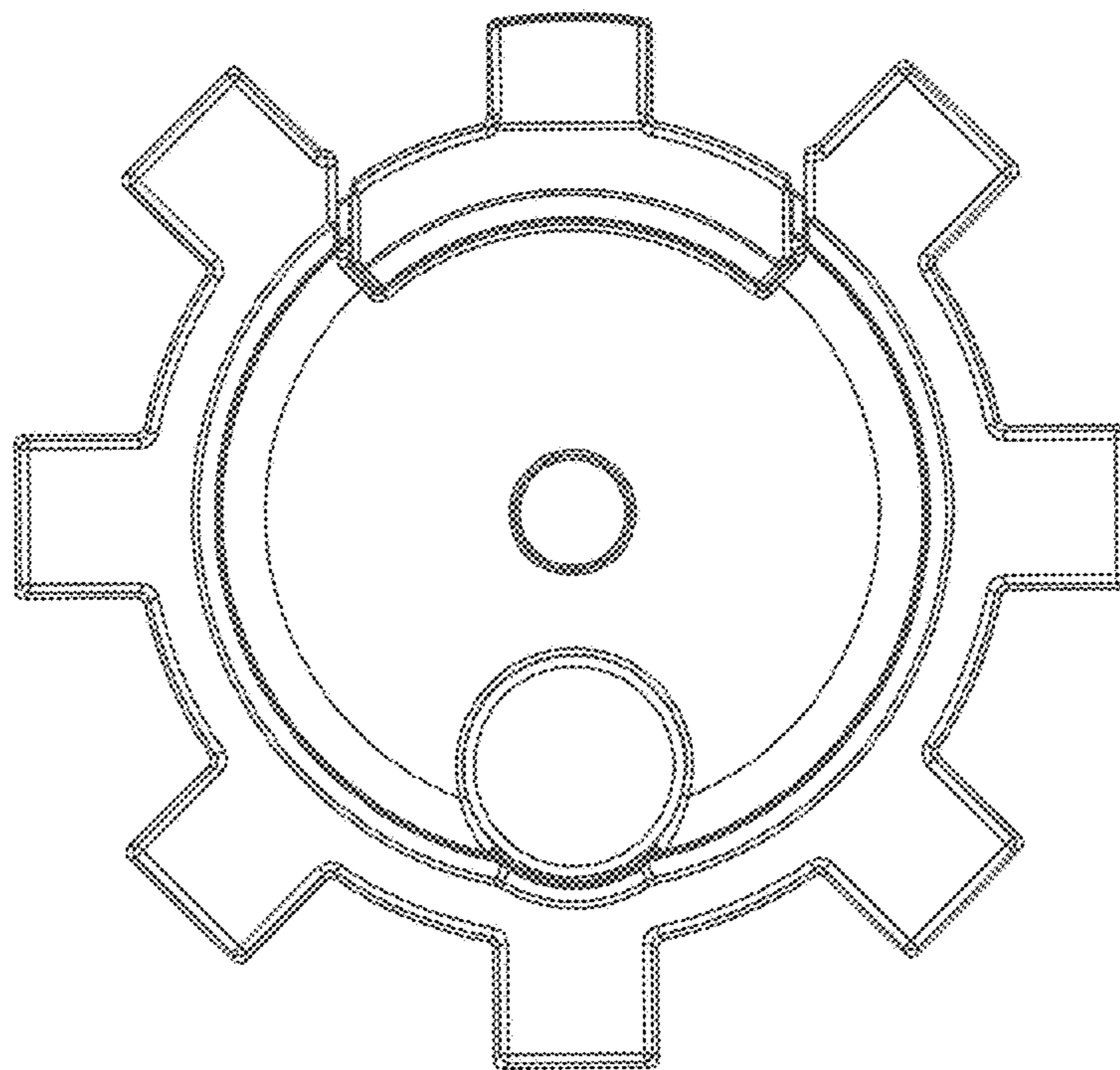


FIG. 2

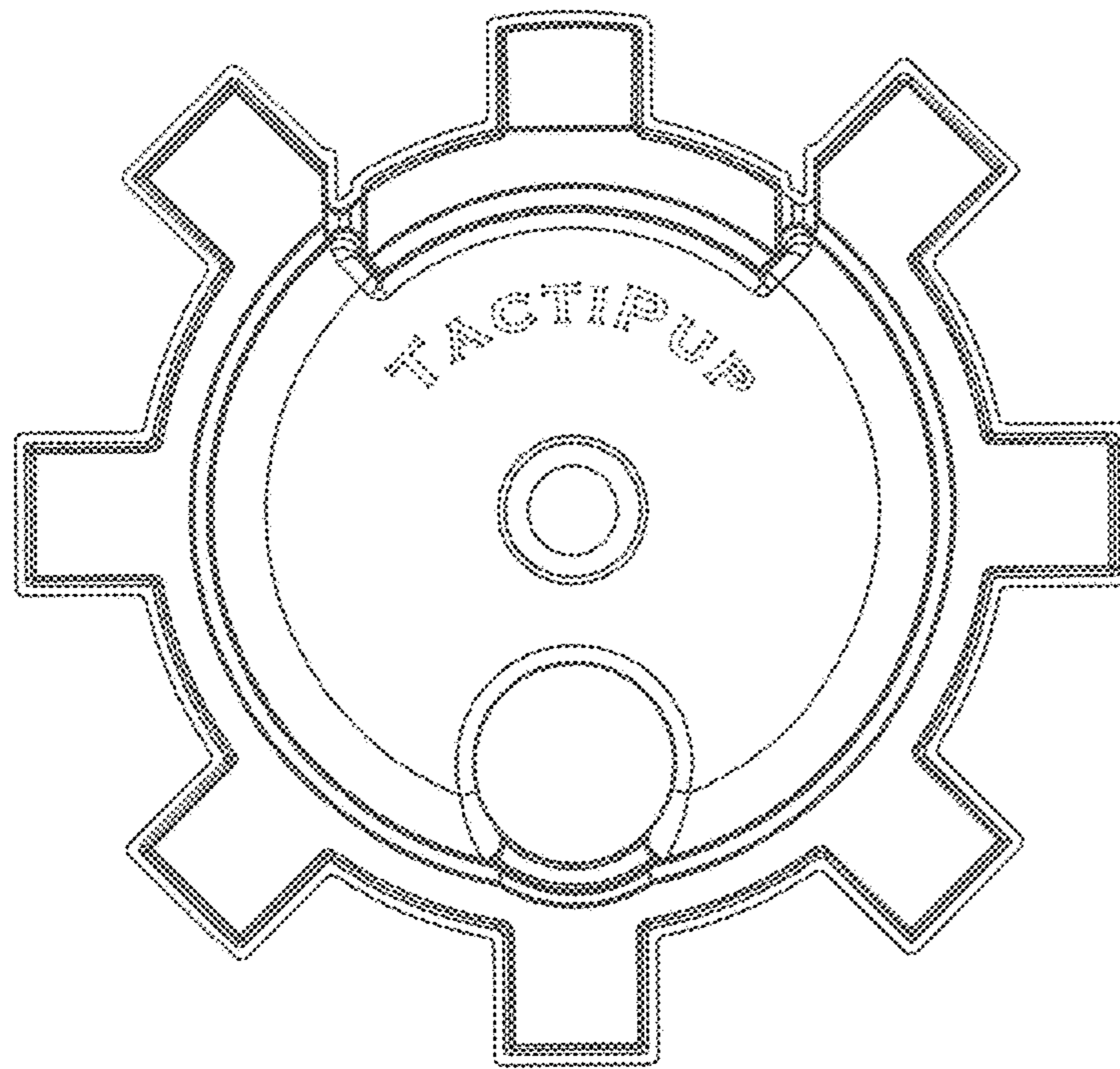


FIG. 3

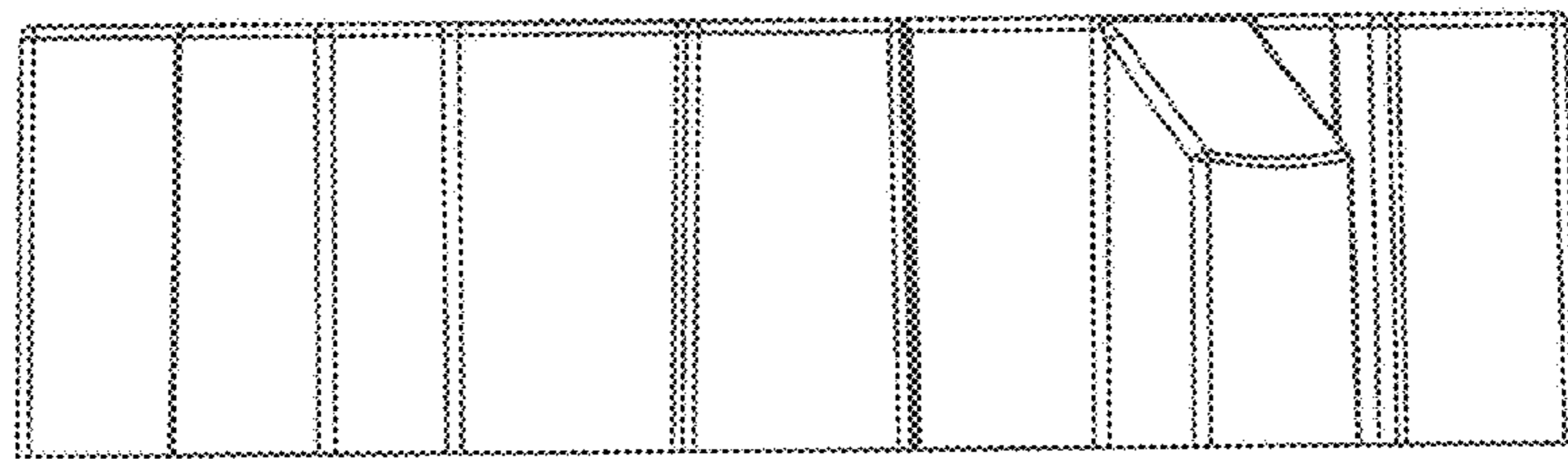


FIG. 4

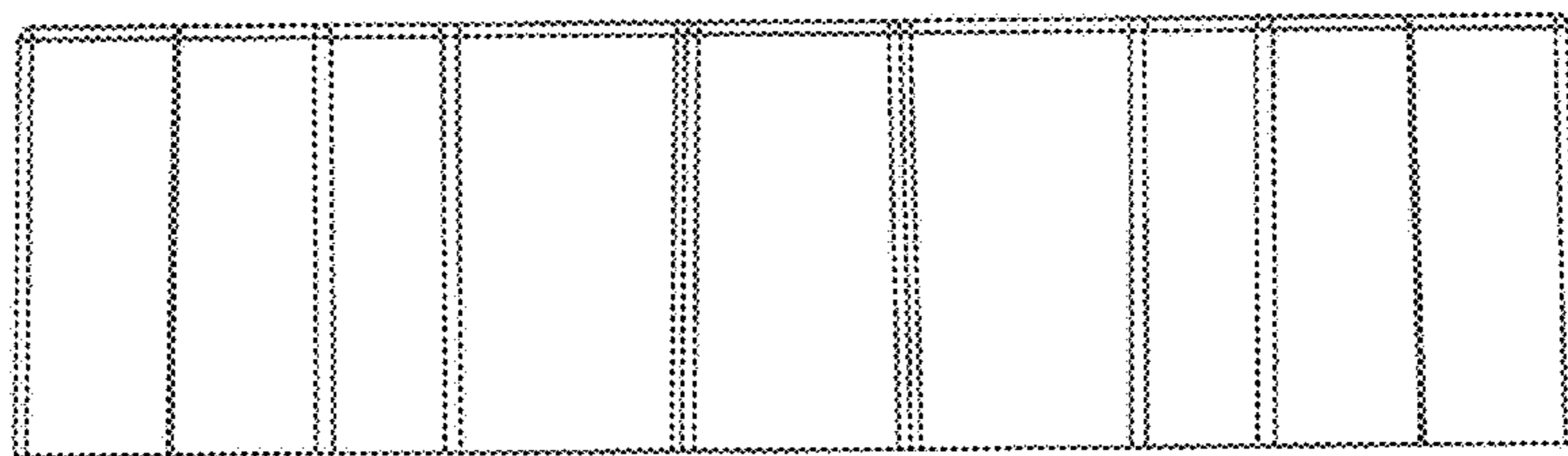


FIG. 5

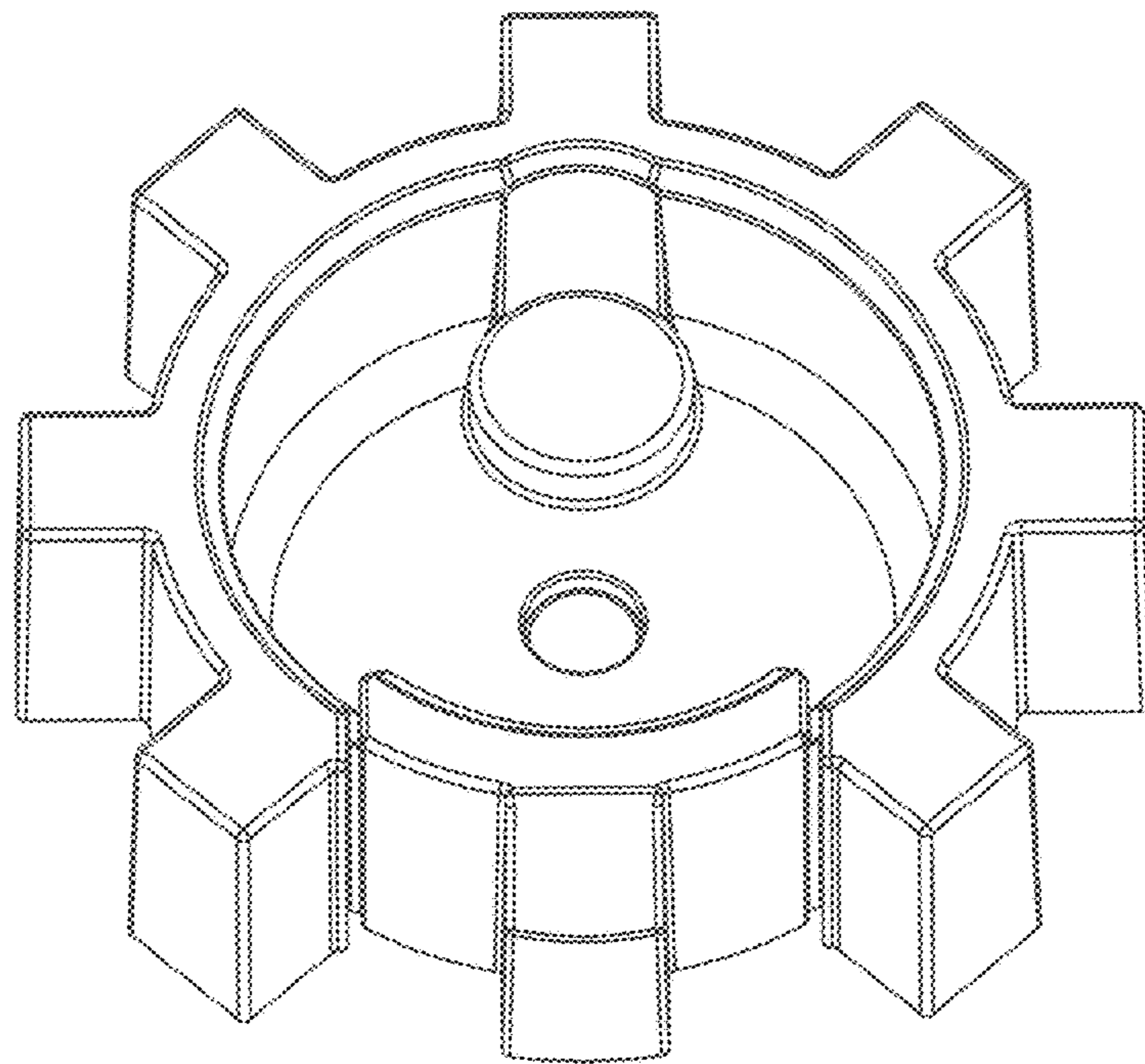


FIG. 6

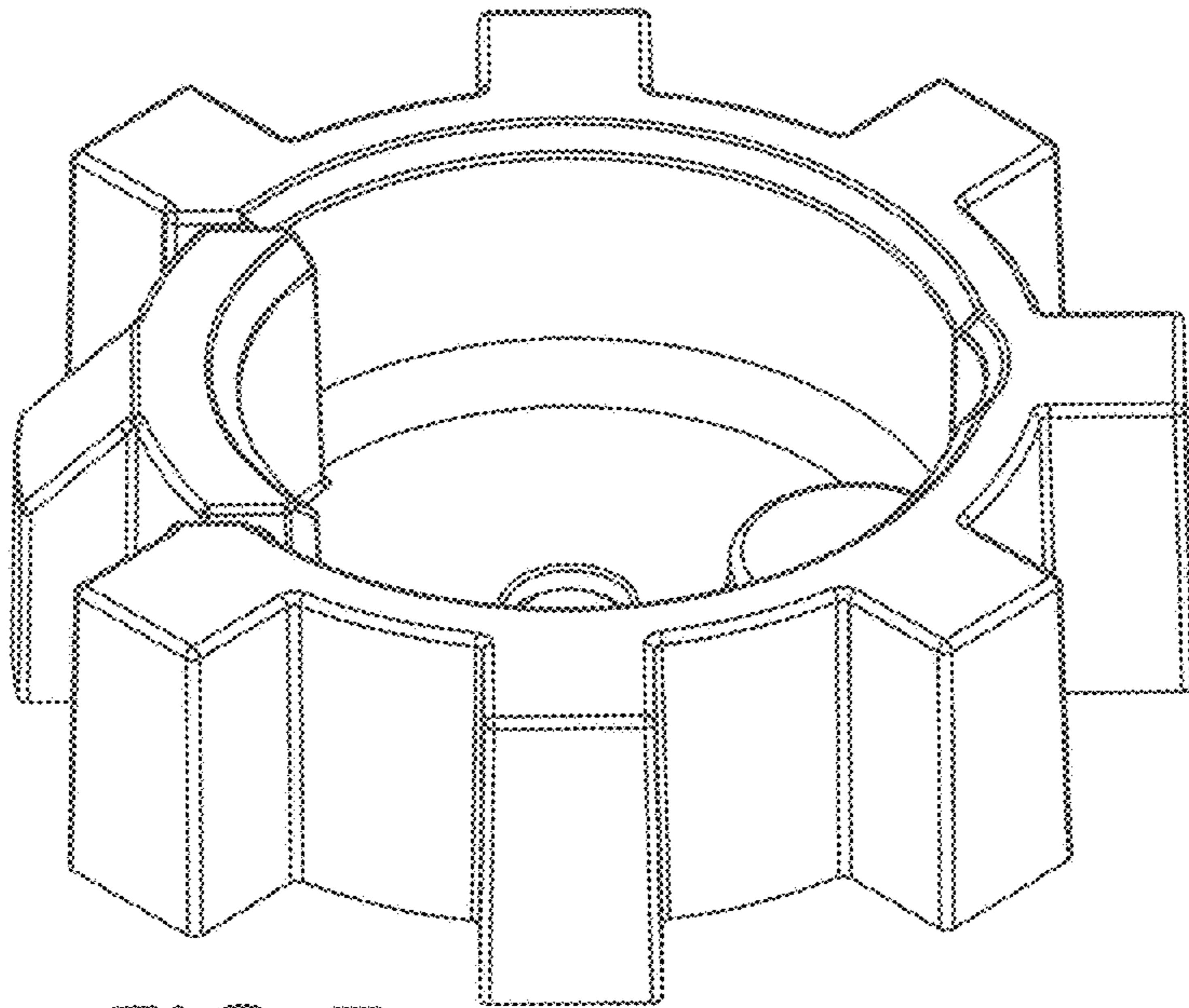
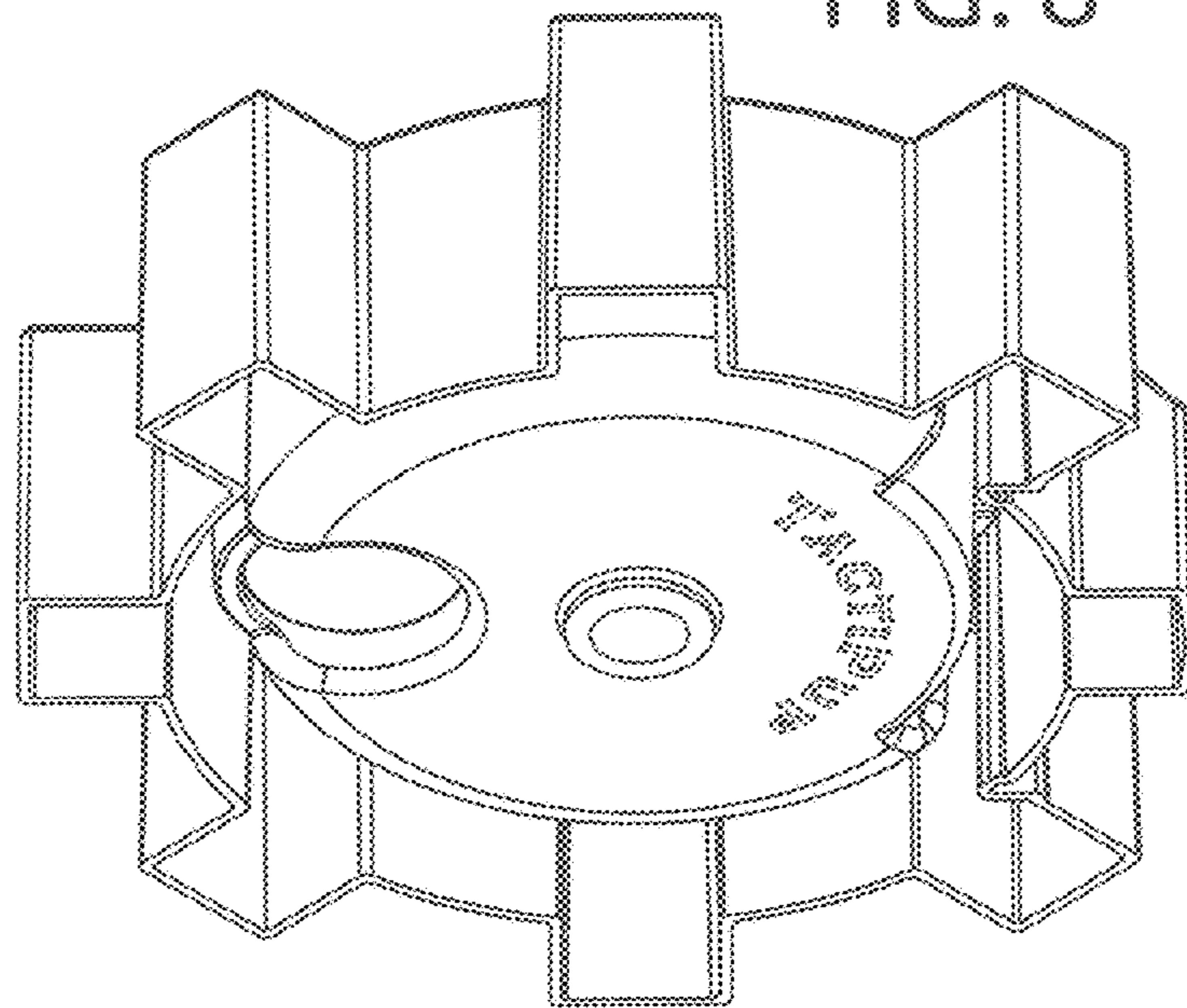


FIG. 7

FIG. 8





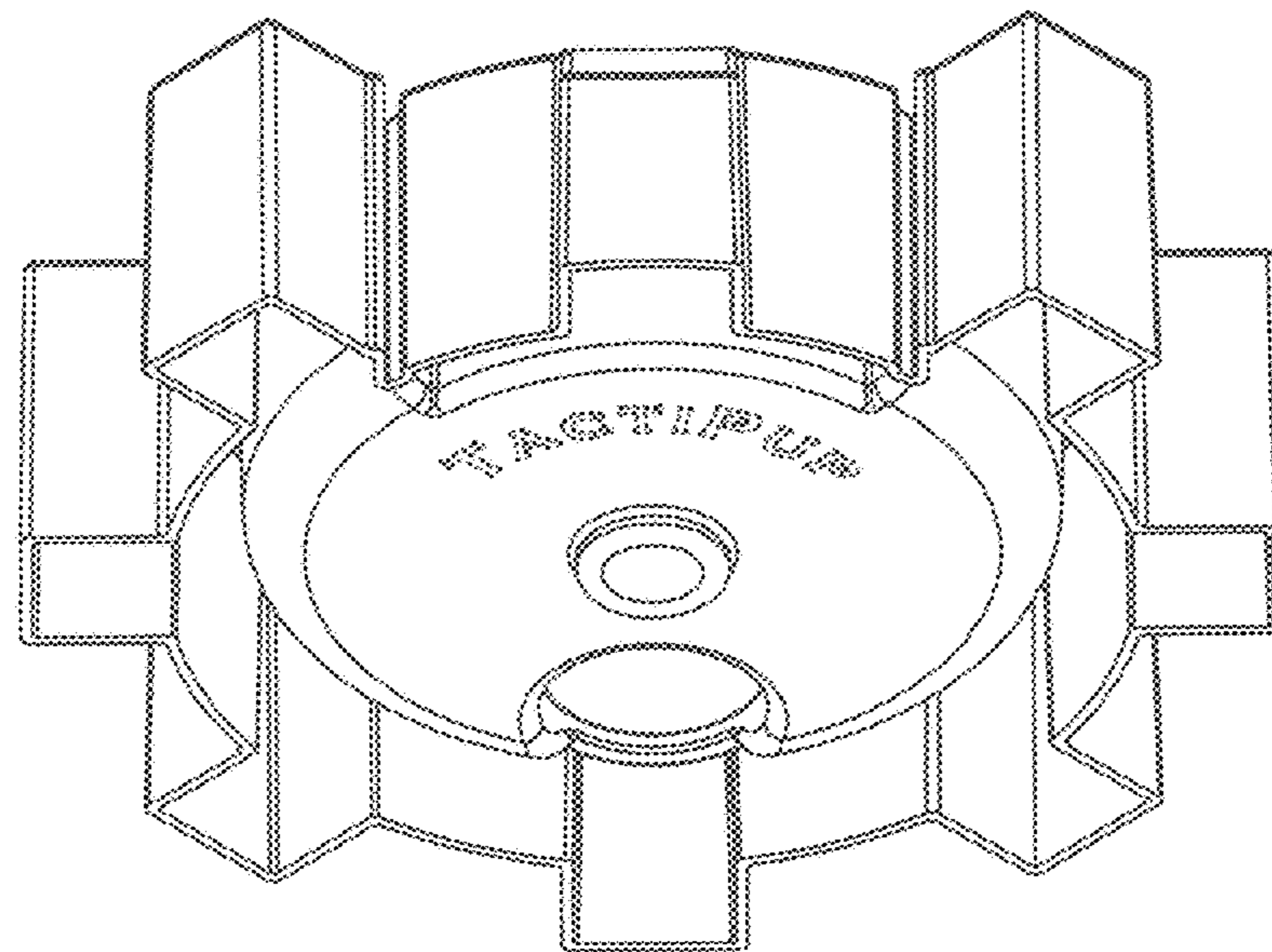


FIG. 9

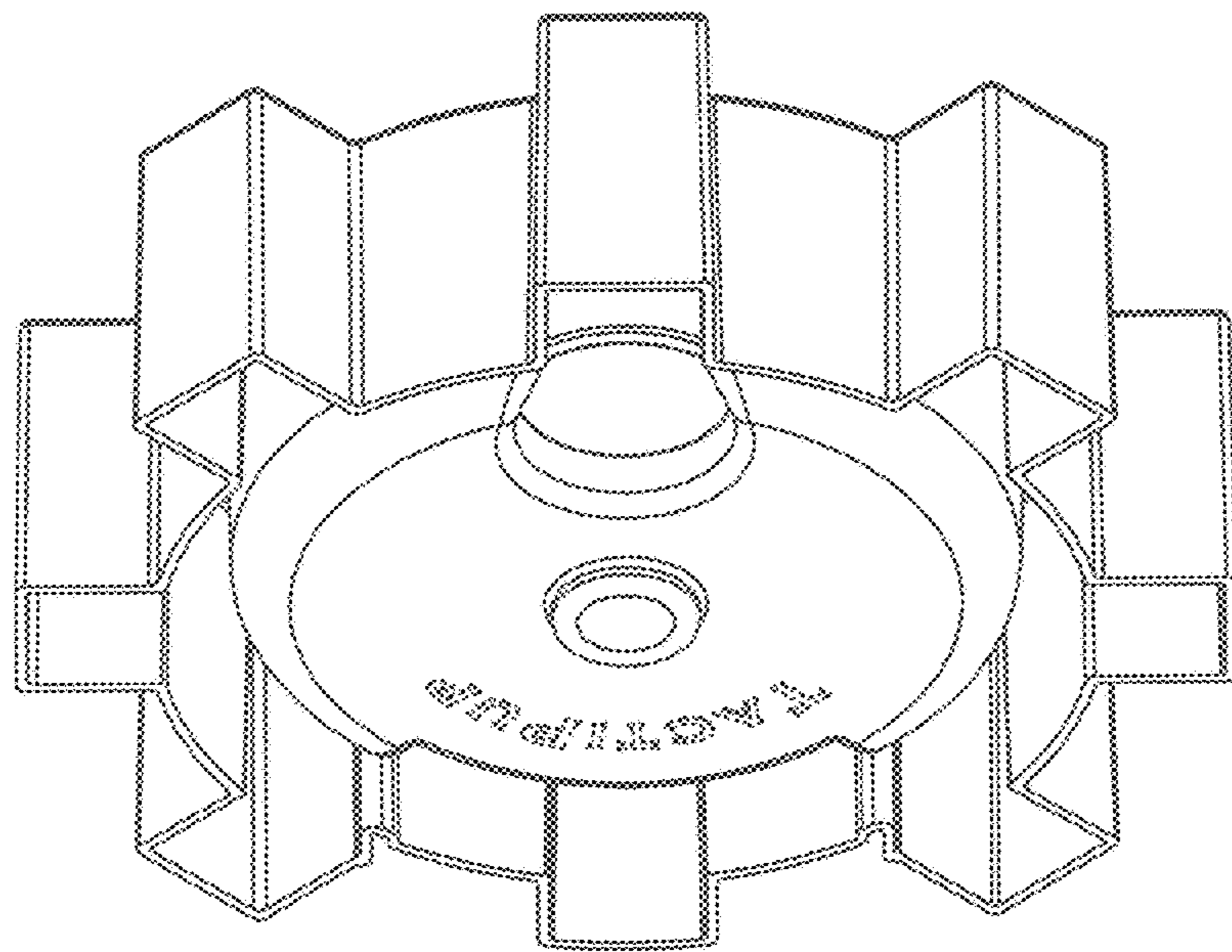


FIG. 10