



US00D836850S

(12) **United States Design Patent** (10) **Patent No.:** **US D836,850 S**
Li (45) **Date of Patent:** **** Dec. 25, 2018**

(54) **AUTOMATIC PET FEEDER**
(71) Applicant: **Guangdong Cuter Pet Technology Co., Ltd.**, Guangdong (CN)
(72) Inventor: **Jiyang Li**, Guangdong (CN)
(73) Assignee: **GUANGDONG CUTER PET TECHNOLOGY CO., LTD.**, Guangdong (CN)
(**) Term: **15 Years**
(21) Appl. No.: **29/606,448**
(22) Filed: **Jun. 5, 2017**
(51) **LOC (11) Cl.** **30-07**
(52) **U.S. Cl.**
USPC **D30/122**
(58) **Field of Classification Search**
USPC D30/121, 122, 129–133; 119/61.5, 51.01, 119/61.56, 51.03, 59, 62, 63, 51.5, 57.8, 119/74, 61.54, 61.55, 53, 53.5, 75, 56.2, 119/51.02, 51.11, 51.12, 57.1, 52.1, 515; 312/204; 248/151, 188; 108/156, 108/153.1–157; 220/23.87, 630, 737, 220/743, 9.4, 495.01, 574, 212, 255, 220/23.83; 206/515; D7/586, 543, D7/550.1, 587, 505, 584, 545, 500, D7/553.1–553.8, 546, 555, 556, 504, 565, D7/562, 602, 605, 312, 313, 320, 307, D7/306, 309, 354, 311, 399, 397, 323, D7/332, 331, 347, 346, 322, 318, 317, D7/316, 619.1; D9/429; 43/109; D22/122; 99/430, DIG. 15, 280, 285, 99/312; 222/209, 131, 363, 349, 517, 222/153.13, 401, 1, 146.5, 23, 54, 64, 51, 222/156, 399, 400.8; 219/438, 439, 441, 219/385, 386, 402, 407; 210/94, 184, 210/474, 477
CPC A01K 5/02; A01K 5/0225; A01K 5/0114; A01K 5/025; A01K 5/0266; A01K 5/0275; A01K 5/0283; A01K 5/0291; A01K 5/0258; A01K 7/00; G01F 11/24;

G01F 23/02; B67D 1/0425; B67D 1/04; B67D 1/00; B67D 1/02; B67D 1/0871; B67D 1/0802; A47J 41/0033; A47J 41/005; A47J 41/0088; A47J 41/0094; A47J 31/04; A47J 31/053; B05B 11/00; B05B 11/0002; B05B 11/0005; B05B 11/001; C02F 1/003; C02F 1/283; C02F 2307/02

See application file for complete search history.

(56) **References Cited**

U.S. PATENT DOCUMENTS

D207,166 S *	3/1967	Noble	D30/132
D216,511 S *	1/1970	Coleman	D23/202
D216,590 S *	2/1970	Coleman	D23/202
D225,894 S *	1/1973	Emery	D7/589

(Continued)

Primary Examiner — Susan Moon Lee

(74) *Attorney, Agent, or Firm* — Muncy, Geissler, Olds & Lowe, P.C.

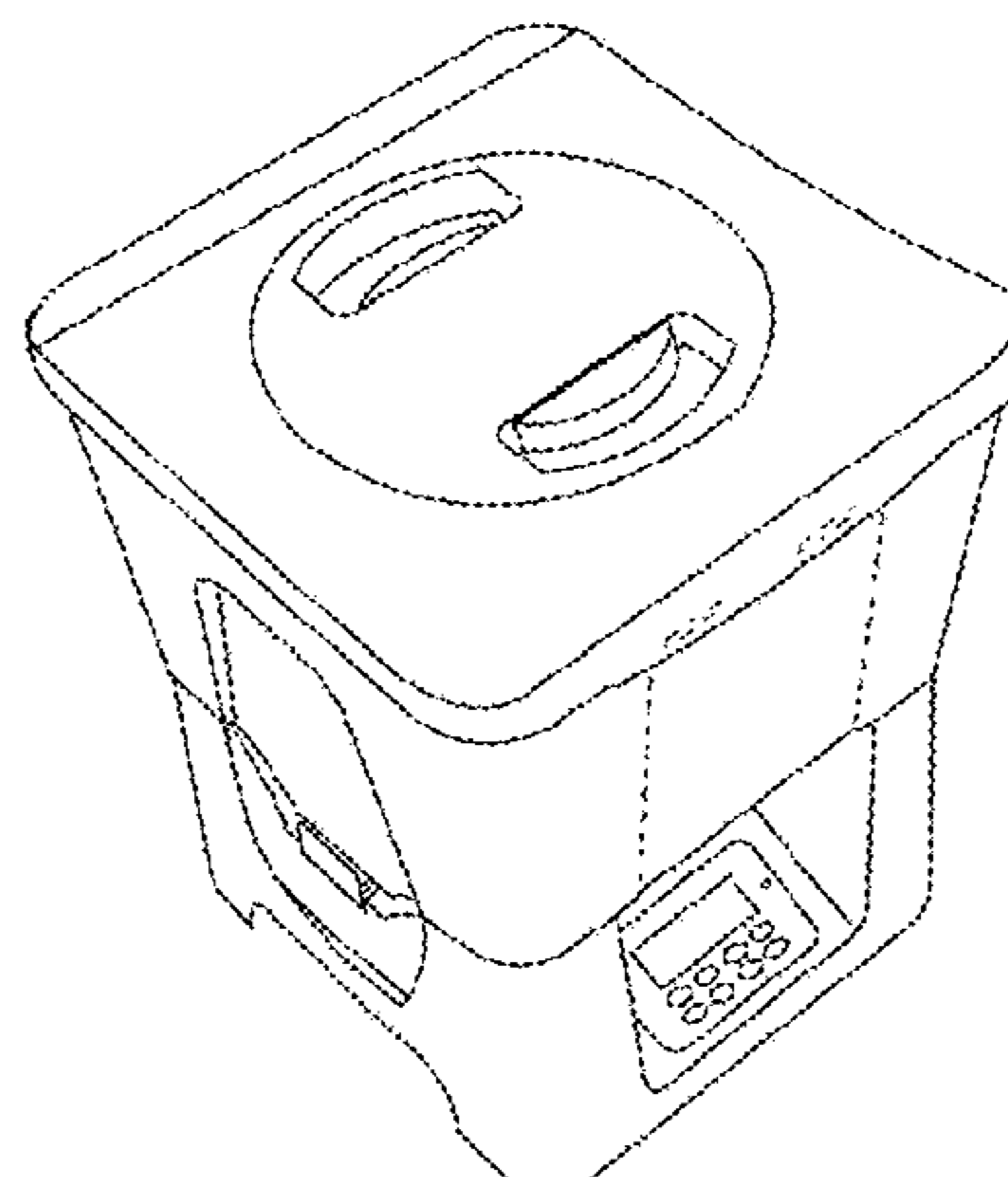
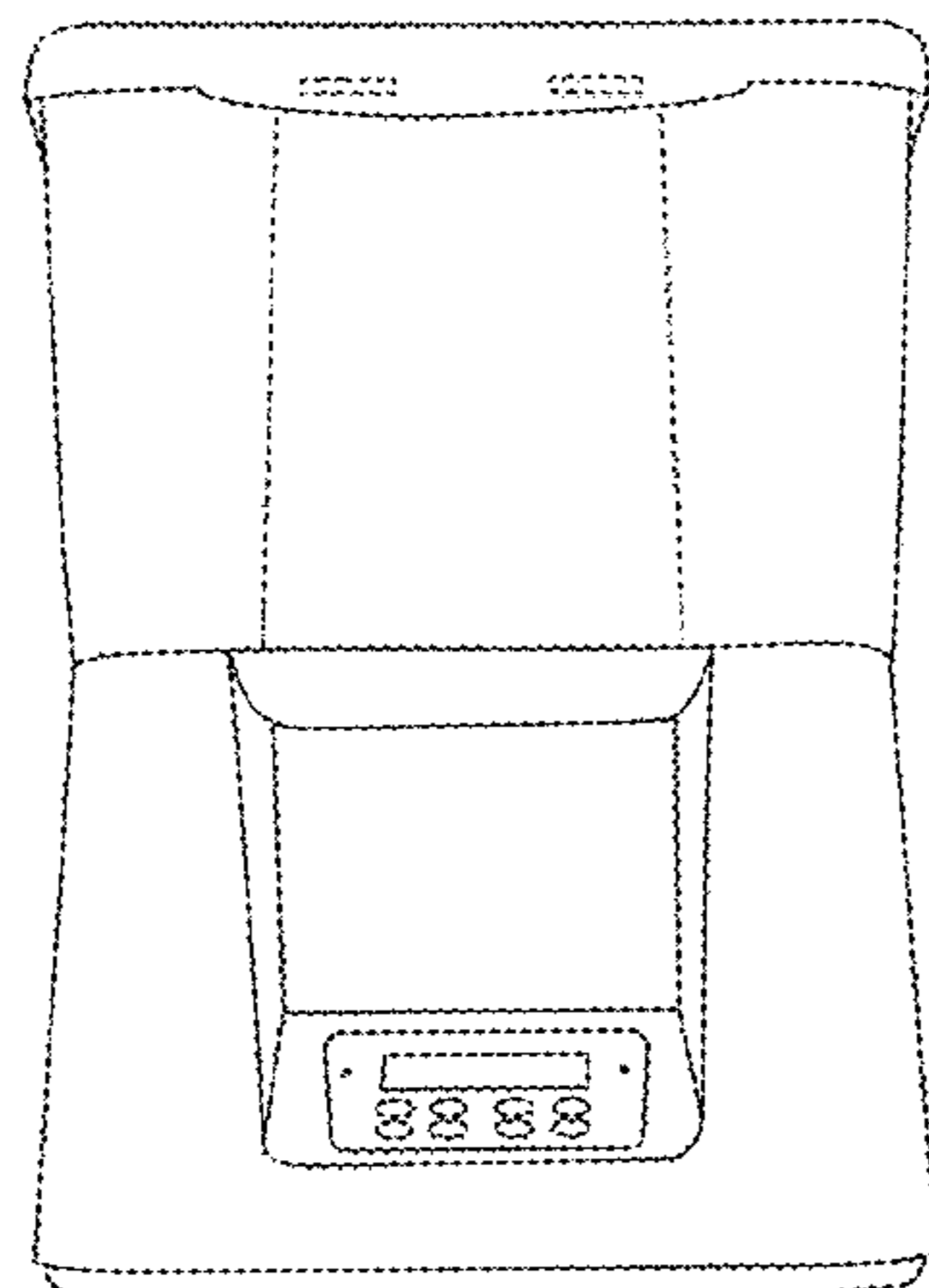
(57) **CLAIM**

The ornamental design for an automatic pet feeder, as shown and described.

DESCRIPTION

FIG. 1 is a front elevational view of an automatic pet feeder in accordance with my new design; FIG. 2 is a rear elevational view thereof; FIG. 3 is a left side view thereof; FIG. 4 is a top plan view thereof; FIG. 5 is a bottom plan view thereof; and, FIG. 6 is a perspective view thereof. The broken lines and unshaded portions contained within broken lines depict unclaimed features of the automatic pet feeder that form no part of the claimed design but are shown for purposes of illustration.

1 Claim, 6 Drawing Sheets



(56)

References Cited

U.S. PATENT DOCUMENTS

4,735,171	A *	4/1988	Essex	A01K 5/0291				
						119/51.12			
D330,098	S *	10/1992	VanSkiver	D30/121				
D349,944	S *	8/1994	Harris	D23/202				
D350,841	S *	9/1994	VanSkiver	D30/121				
D405,560	S *	2/1999	Chrisco	D30/121				
D408,207	S *	4/1999	Bourke	D7/300				
7,040,249	B1 *	5/2006	Mushen	A01K 5/0225				
						119/51.5			
D563,605	S *	3/2008	Morris	D30/121				
D650,239	S *	12/2011	Laib	D7/589				
8,272,350	B1 *	9/2012	England	A01K 5/025				
						119/52.1			
D731,124	S *	6/2015	Shin	D30/122				
D736,481	S *	8/2015	Cornwell	D30/122				
D747,047	S *	1/2016	Cornwell	D30/122				
D806,958	S *	1/2018	Maloney	D30/122				
D814,124	S *	3/2018	Ward	D30/122				
D822,292	S *	7/2018	Hua	D30/122				
2005/0000847	A1 *	1/2005	McNeeley	A47G 19/26				
						206/527			
2005/0217591	A1 *	10/2005	Turner	A01K 5/0114				
						119/51.02			
2006/0049207	A1 *	3/2006	Bogoshian	A47J 47/01				
						222/196			
2010/0132629	A1 *	6/2010	Jalbert	A01K 1/0107				
						119/720			
2011/0297090	A1 *	12/2011	Chamberlain	A01K 5/0291				
						119/51.02			
2013/0233248	A1 *	9/2013	Veness	A01K 5/0275				
						119/56.1			
2013/0319337	A1 *	12/2013	Davis	A01K 5/0114				
						119/57.1			
2013/0333622	A1 *	12/2013	Jin	A01K 5/0291				
						119/51.01			
2015/0068463	A1 *	3/2015	Worry	A01K 5/0114				
						119/57.1			
2015/0143750	A1 *	5/2015	Jalbert	E06B 7/32				
						49/25			
2015/0145644	A1 *	5/2015	Jalbert	A01K 5/02				
						340/5.61			
2015/0164044	A1 *	6/2015	Powers	A01K 5/0225				
						119/61.5			
2015/0373945	A1 *	12/2015	Sung	A01K 5/0283				
						119/51.5			
2016/0000036	A1 *	1/2016	Cornwell, Jr.	A01K 5/0291				
						119/51.11			
2016/0007564	A1 *	1/2016	Ma	A01K 5/0225				
						119/57.1			
2016/0029592	A1 *	2/2016	Springer	A01K 5/0225				
						119/51.11			
2016/0235035	A1 *	8/2016	Ma	A01K 5/0225				
2016/0286755	A1 *	10/2016	Feng	A01K 5/0291				
2016/0374313	A1 *	12/2016	Lahman	A01K 5/0114				
						119/56.1			
2016/0374316	A1 *	12/2016	Mainini	A01K 15/026				
						119/51.02			
2017/0238503	A1 *	8/2017	Deritis	A01K 5/0275				
2017/0354119	A1 *	12/2017	Dewey	A01K 5/0275				
2018/0027763	A1 *	2/2018	Veness	A01K 5/0114				

* cited by examiner

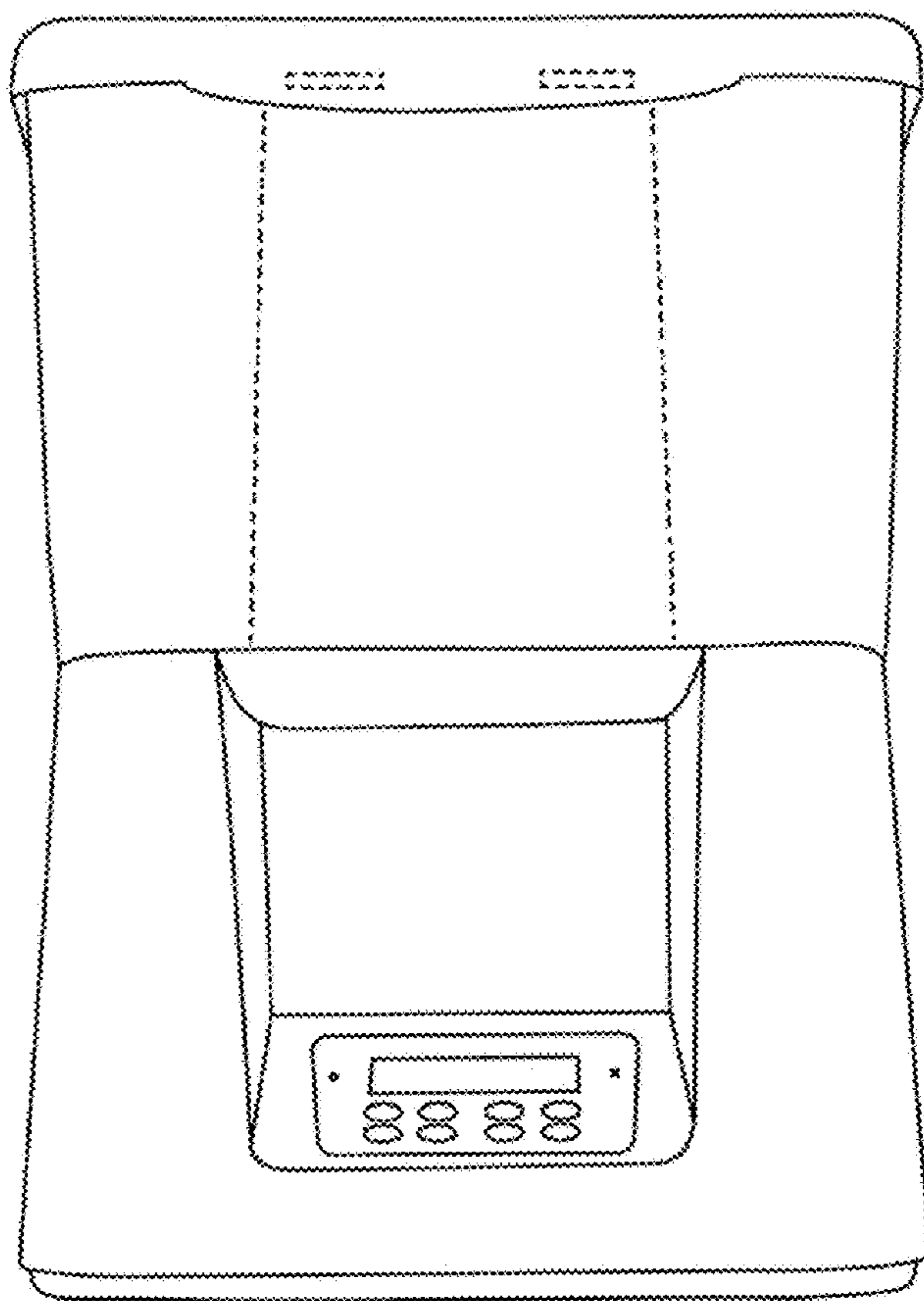


FIG. 1

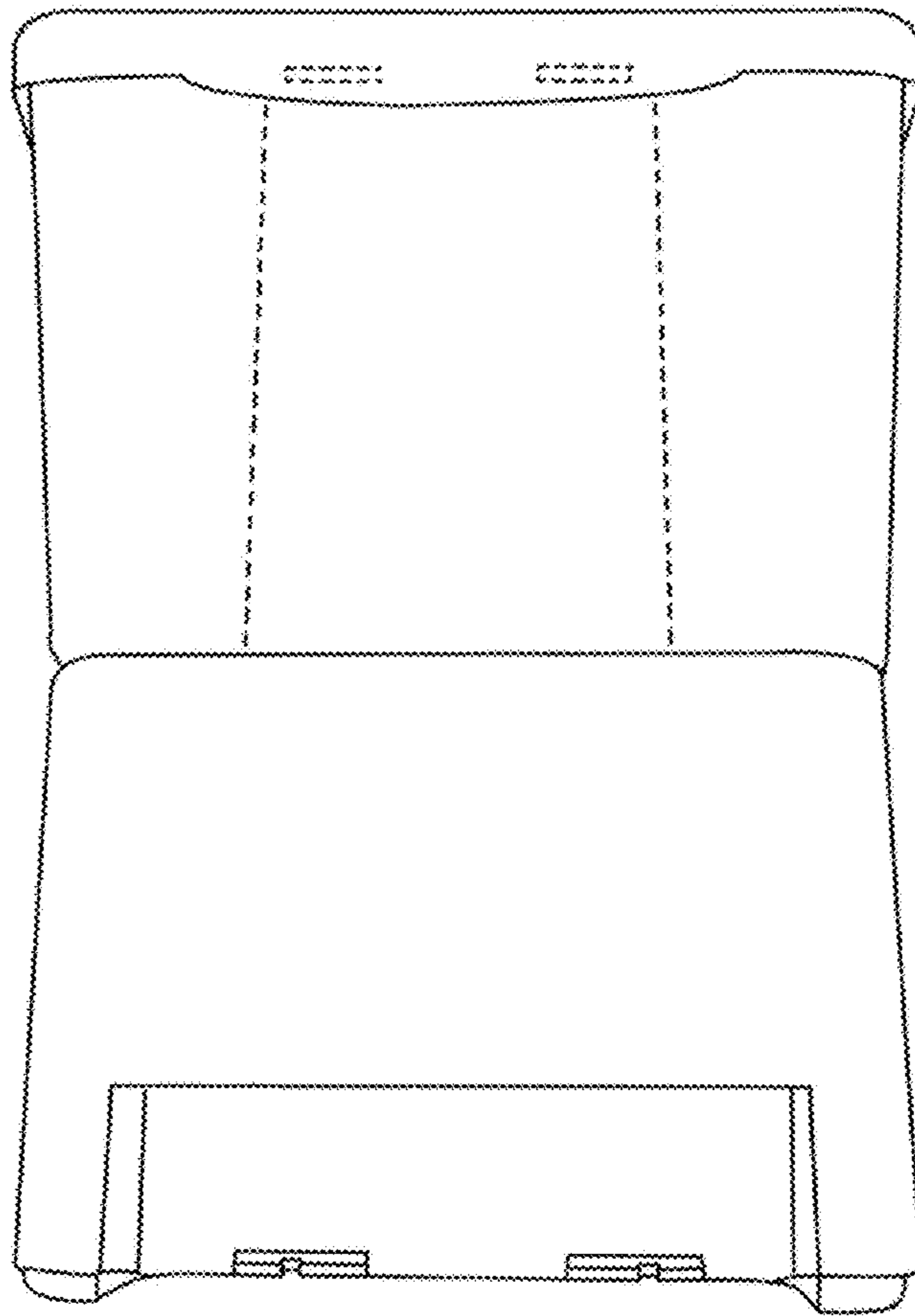


FIG. 2

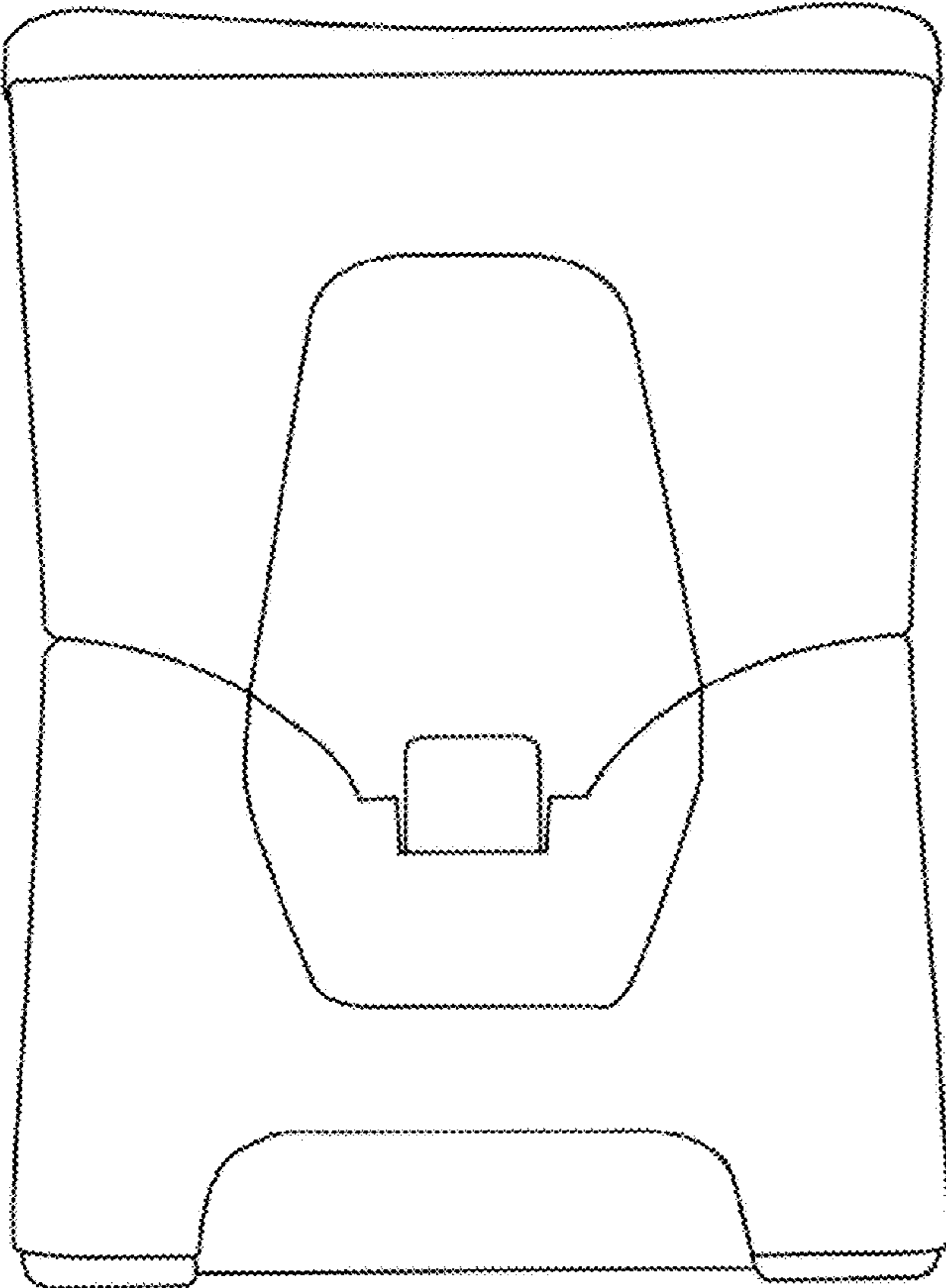


FIG. 3

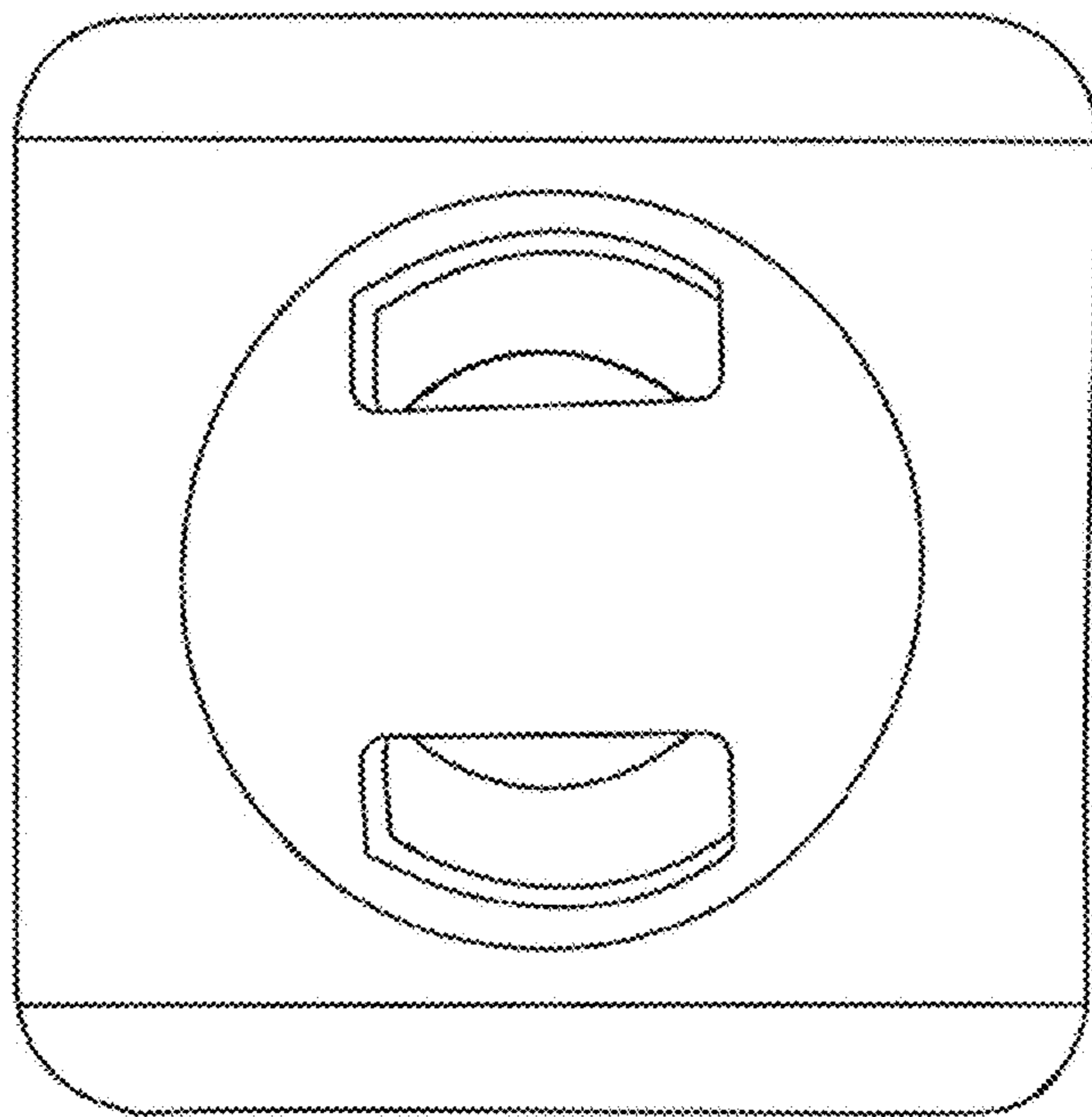


FIG. 4

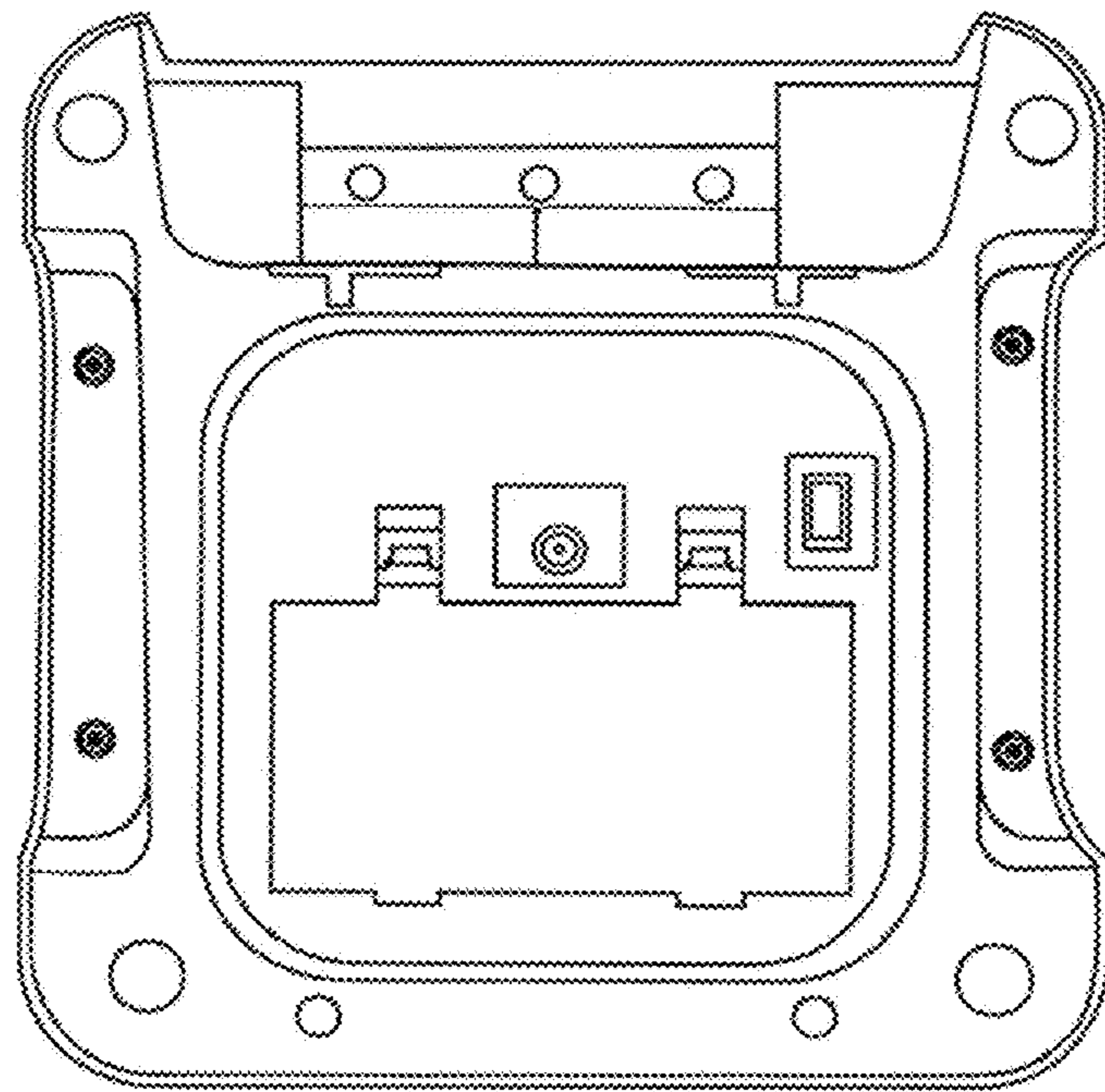


FIG. 5

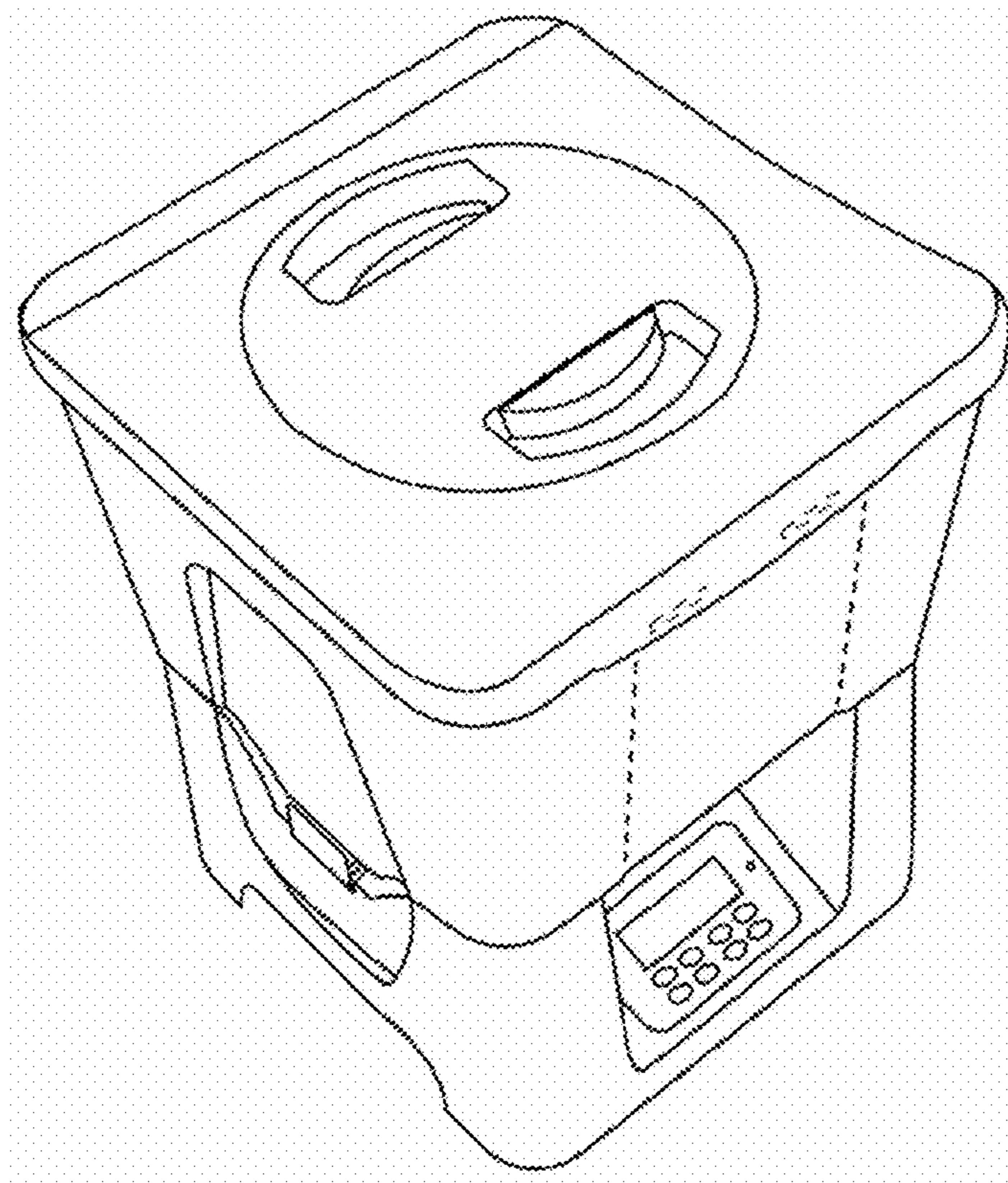


FIG. 6