



US00D836842S

(12) **United States Design Patent** (10) **Patent No.:** **US D836,842 S**
Staab et al. (45) **Date of Patent:** **** Dec. 25, 2018**

(54) **COSMETIC COMPACT**

(71) Applicant: **Mary Kay Inc.**, Addison, TX (US)

(72) Inventors: **Jenny DeMarco Staab**, Fisco, TX (US); **Alexa Hanna**, Addison, TX (US)

(73) Assignee: **Mary Kay Inc.**, Addison, TX (US)

(**) Term: **15 Years**

(21) Appl. No.: **29/627,397**

(22) Filed: **Nov. 27, 2017**

(51) **LOC (11) Cl.** **28-03**

(52) **U.S. Cl.**
 USPC **D28/83**

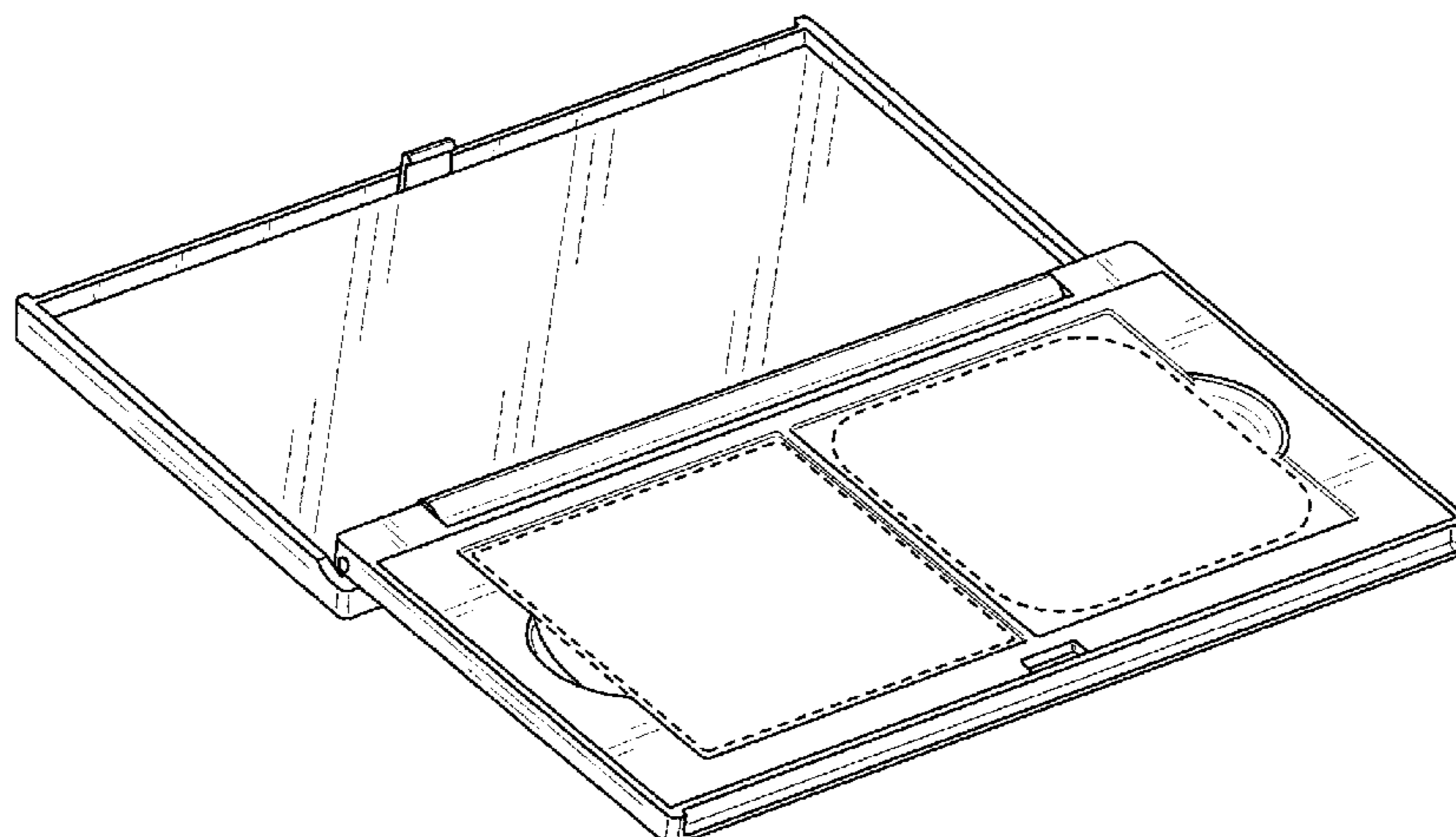
(58) **Field of Classification Search**
 USPC D28/76-84
 CPC A45D 33/00; A45D 33/003; A45D 33/006-33/008; A45D 33/16; A45D 33/24; A45D 33/20; A45D 2200/051-2200/053; A45D 40/22; A45D 40/24

See application file for complete search history.

4,421,127 A	12/1983	Geer	
D277,422 S	1/1985	Bakic	
D279,225 S	6/1985	Chevassus	
D280,244 S	8/1985	Buchet	
D280,852 S	10/1985	Bakic	
D280,853 S	10/1985	Bakic	
D281,731 S	12/1985	Phu	
4,589,430 A *	5/1986	Sussman	A45D 40/22 132/218
D291,608 S	8/1987	Chevassus	
D291,609 S	8/1987	Bakic	
D292,626 S	11/1987	Chevassus	
D293,612 S	1/1988	Bulwik	
D293,724 S	1/1988	Kingsford et al.	
D295,452 S	4/1988	Bakic	
D301,124 S	5/1989	Bakic	
D301,642 S	6/1989	Bakic	
D302,604 S	8/1989	Bakic	
D303,582 S	9/1989	Gavin	
D303,583 S	9/1989	Bakic	
4,863,034 A	9/1989	Contreras, Sr.	
D305,164 S	12/1989	Hall	
D307,335 S	4/1990	Scalamandre et al.	
D307,810 S	5/1990	Gavin	
4,951,692 A	8/1990	Yuhara et al.	
D310,735 S	9/1990	Ferrari	
D314,448 S	2/1991	Bakic	
D316,462 S	4/1991	Restrepo	
5,005,697 A	4/1991	Jimbo et al.	
D316,763 S	5/1991	Ferrari	
D321,415 S	11/1991	Chen	
D321,416 S	11/1991	Bakic	
D322,692 S	12/1991	Trabattoni	
D322,865 S	12/1991	Favre	
D324,587 S	3/1992	Di Nuccio	
5,092,354 A	3/1992	Pacelli, Jr.	
D326,226 S	5/1992	Gerhart	
5,161,556 A	11/1992	Audebourg et al.	
D332,328 S	1/1993	Lombardi, Jr.	
D338,279 S	8/1993	Davis	
D339,883 S	9/1993	Madar	
D345,622 S	3/1994	Byars et al.	
D345,826 S	4/1994	Byars et al.	
D347,089 S	5/1994	Byars et al.	
D351,049 S	9/1994	Schlueter	
D352,601 S	11/1994	Dallaire	
D355,730 S	2/1995	Chen	
5,437,294 A *	8/1995	Ebbets, III	A45D 40/22 132/296
D365,892 S	1/1996	Markham	
5,638,838 A	6/1997	Lombardi	
5,655,553 A	8/1997	Giese et al.	
5,682,910 A	11/1997	Kizawa et al.	

(56) **References Cited**
 U.S. PATENT DOCUMENTS

1,414,899 A	5/1922	Sabatelli
1,502,013 A	7/1924	Benois
1,632,864 A	6/1927	Weber
1,694,702 A	12/1928	Deitel
1,778,522 A	10/1930	Deitel
1,830,665 A	11/1931	Lessing
1,851,462 A	3/1932	Stellar
1,919,486 A	7/1933	Storch
D112,651 S	12/1938	Barnhart
2,161,715 A	6/1939	MacDonald
2,196,801 A	4/1940	Kreisler
2,415,357 A	2/1947	Kucki
2,421,646 A	6/1947	Pepin
3,911,936 A	10/1975	Kingsford
D252,891 S	9/1979	Stutzer
D262,151 S	12/1981	Sussman
D263,634 S	3/1982	Ballereaud
D270,387 S	8/1983	Rutherford



US D836,842 S

5,713,471 A	2/1998	Gueret		D655,046 S	2/2012	Nakamura	
D397,831 S	9/1998	Stoecker		D655,865 S	3/2012	Villarreal et al.	
5,813,420 A *	9/1998	Sussman	A45D 33/006	D655,866 S	3/2012	Villarreal et al.	
			132/294	8,215,320 B2	7/2012	Prague et al.	
D401,017 S	11/1998	Thorpe		D682,474 S	5/2013	Owen et al.	
D404,532 S	1/1999	Castagna		D682,475 S	5/2013	Owen et al.	
D404,533 S	1/1999	Morgan		D687,186 S	7/2013	Lai	
D407,853 S	4/1999	Morgan		D687,187 S *	7/2013	Lai	D28/83
D407,855 S	4/1999	Orsomando		D687,188 S	7/2013	Lai	
D407,856 S	4/1999	Orsomando		D687,603 S	8/2013	Chen et al.	
D409,801 S	5/1999	Kim		D688,008 S	8/2013	Fama	
D411,767 S	7/1999	Keller		D688,831 S	8/2013	Giardina	
D412,602 S	8/1999	Bakic		8,573,233 B2	11/2013	Chen	
D422,120 S	3/2000	Orsomando		8,590,545 B2	11/2013	Won	
D422,753 S	4/2000	Einarson		D709,651 S	7/2014	Gaito	
D424,245 S	5/2000	Stoecker		8,770,209 B2	7/2014	Kim et al.	
D428,208 S	7/2000	Nodarse		8,807,146 B2	8/2014	Sobol	
D428,210 S	7/2000	Gavin		D718,499 S *	11/2014	Pourmehr	D28/83
D428,211 S	7/2000	Gavin		D718,500 S *	11/2014	Pourmehr	D28/83
D433,539 S	11/2000	Gavin		D718,904 S	12/2014	Parker	
D433,773 S	11/2000	Gavin		D718,905 S	12/2014	Matsuishi et al.	
D434,189 S	11/2000	Gavin		D718,906 S	12/2014	Matsuishi	
D434,875 S	12/2000	Gavin		D719,301 S	12/2014	Parker	
6,227,208 B1	5/2001	Imbert		D720,501 S	12/2014	Pourmehr	
D446,608 S	8/2001	Goswell		D721,854 S	1/2015	Parker	
D453,859 S	2/2002	Spearman		D721,855 S	1/2015	Lavigne	
D457,687 S	5/2002	Millar		D721,856 S	1/2015	Villarreal et al.	
D465,305 S	11/2002	Thorpe et al.		D722,205 S	2/2015	Parker	
D468,868 S	1/2003	Thorpe et al.		D722,406 S	2/2015	Greenfield	
D469,223 S	1/2003	Thorpe et al.		D722,724 S	2/2015	Guor	
D475,810 S	6/2003	Lai		D722,725 S	2/2015	Jin	
D475,811 S	6/2003	Bontempo		D723,218 S	2/2015	Goswell	
D477,895 S	7/2003	Goswell		D723,219 S	2/2015	Goswell	
D478,397 S	8/2003	Bakic		D723,220 S	2/2015	Guor	
D480,837 S	10/2003	Liu		D723,742 S	3/2015	Shteyssel	
D491,315 S	6/2004	Dittmer et al.		D724,785 S	3/2015	Frederick	
D493,919 S	8/2004	Beilman		D730,581 S	5/2015	Hwang	
D496,133 S	9/2004	Dittmer et al.		D736,468 S	8/2015	Goswell	
D496,134 S	9/2004	Lai		D753,882 S *	4/2016	Chertoff	D28/83
D503,245 S	3/2005	Vanoncini		D768,335 S *	10/2016	Parker	D28/83
D505,752 S	5/2005	Martinez		D768,355 S	10/2016	Schwartz	
D511,025 S	10/2005	Martinez		D768,935 S	10/2016	Parker	
D511,224 S	11/2005	Martinez		D779,736 S	2/2017	Hansen	
D512,533 S	12/2005	Martinez		D790,134 S *	6/2017	Shteyssel	D28/64.3
D518,603 S	4/2006	Dittmer et al.		9,693,618 B2	7/2017	Shasteen et al.	
7,117,874 B2	10/2006	Gubernick		D806,532 S *	1/2018	Richmond	D9/420
D552,797 S	10/2007	Kueth et al.		D830,637 S *	10/2018	Yoo	D28/83
D553,799 S	10/2007	Williams		2004/0040570 A1	3/2004	Shih	
D554,804 S	11/2007	Bernard		2005/0011895 A1	1/2005	Lin	
D561,944 S	2/2008	Ashiwa et al.		2005/0199571 A1	9/2005	Geisler et al.	
D564,707 S	3/2008	Barresi		2005/0231835 A1	10/2005	Tokushita et al.	
7,410,073 B2	8/2008	Yuhara		2006/0027481 A1 *	2/2006	Gelardi	A45D 33/008 206/581
D576,354 S	9/2008	Dominski et al.					
7,451,887 B2	11/2008	Kobayashi et al.		2006/0112966 A1	6/2006	Phue	
D595,455 S	6/2009	Nagasaki		2006/0188850 A1	8/2006	Mills	
D595,900 S	7/2009	Yamamoto		2006/0226164 A1	10/2006	Graham	
D596,354 S	7/2009	Yamamoto		2007/0246060 A1	10/2007	Yuhara et al.	
D597,256 S	7/2009	Liden		2008/0023023 A1	1/2008	Boye et al.	
D600,857 S	9/2009	Maddy et al.		2008/0060672 A1	3/2008	Williams	
D601,757 S	10/2009	Sagel		2009/0044826 A1	2/2009	Eng et al.	
D603,564 S *	11/2009	Liden	D28/83	2009/0078279 A1	3/2009	Boye et al.	
D611,657 S	3/2010	Maddy et al.		2010/0031971 A1	2/2010	Ha	
D621,548 S	8/2010	Chen		2010/0051049 A1	3/2010	Jaworski et al.	
D626,290 S	10/2010	Ohmoto et al.		2010/0059081 A1	3/2010	Yoshida et al.	
7,810,644 B2	10/2010	Fraillon		2010/0132734 A1	6/2010	Mills	
D626,694 S	11/2010	Ha		2011/0197913 A1	8/2011	Chen	
D629,201 S	12/2010	Demarco		2012/0055503 A1	3/2012	Kuo	
7,849,863 B2	12/2010	Corbellini		2012/0136748 A1 *	5/2012	Shasteen	A45D 33/18 705/26.5
D631,609 S *	1/2011	Lai	D28/83				
D631,610 S	1/2011	Barresi et al.		2013/0061867 A1	3/2013	Kim et al.	
D632,016 S	2/2011	Lee		2013/0133686 A1	5/2013	Shteyssel	
7,909,205 B2	3/2011	Moon		2015/0068550 A1	3/2015	Sasaki	
D636,534 S	4/2011	Lai		2017/0280851 A1	10/2017	Lee	
D638,582 S	5/2011	Ohmoto et al.					
D642,743 S *	8/2011	Shteyssel	D28/83				
D643,155 S	8/2011	Ohmoto et al.					
D645,617 S	9/2011	Mandavi					
D653,397 S	1/2012	de Lima Paschoal		CN	303665659 S	5/1916	
D655,045 S	2/2012	Paschoal et al.		CN	303687187 S	6/1916	
				CN	303731677 S	6/1916	

FOREIGN PATENT DOCUMENTS

CN	304049456 S	2/1917
CN	301035289D	10/2009
CN	302070762 S	9/2012
CN	302114071 S	10/2012
CN	302323863 S	2/2013
CN	302851802 S	6/2014
CN	303022178 S	12/2014
CN	303370977 S	9/2015
DE	402009003421-0001	12/2009
DE	402009003421-0002	12/2009
DE	402013003218-0001	8/2013
DE	402013003218-0002	8/2013
EM	00084990-0005	12/2014
EM	00084990-0006	12/2014
EM	00084990-0007	12/2014
EM	00084990-0008	12/2014
EP	3187068	7/1917
JP	2009160534	7/2009
KR	101756976	7/1917
KR	30-0183466	7/1996
KR	30-0281211	7/2001
KR	30-0306365	8/2002
KR	30-0323399	4/2003
KR	30-0401211	12/2005
KR	30-0403923	1/2006
KR	30-0424395	9/2006
KR	30-0529731	5/2009
KR	30-07162441	11/2013
KR	30-0755705	8/2014
MX	50030	6/1917
MX	5920	3/1993
MX	5960	4/1993
MX	7357	10/1994
MX	13872	6/2002
MX	17981	5/2005
MX	2113	7/2006
MX	32431	11/2010
MX	33879	7/2011
MX	33881	7/2011
MX	33884	7/2011
MX	41956	7/2014
WO	WO 2006/110839	10/2006
WO	WO 2010/005160	1/2010
WO	WO 2016/047965	3/2016

OTHER PUBLICATIONS

“Hyper Real Glow,” www.ulta.com, 1 page, downloaded Aug. 5, 2018.*

“Bare Naturals,” www.ulta.com, 1 page, downloaded Aug. 5, 2018.*
www.sparkleshinylove.com, Vichy Teint Compact, 1 page, reviewed Jan. 18, 2017.*

www.ulta.com, “Ultra Beauty Rose Gold,”—1 page, downloaded on Aug. 5, 2018.

www.walman.com, “The Nudes by Maybelline”—1 page, downloaded on Aug. 5, 2018.

* cited by examiner

Primary Examiner — Jennifer Rivard
 (74) Attorney, Agent, or Firm — Norton Rose Fulbright US LLP

(57) CLAIM

We claim the ornamental design for a cosmetic compact, as shown and described.

DESCRIPTION

FIG. 1 is a top perspective view of an embodiment of a cosmetic compact in an opened position with a cosmetic pan and a cosmetic applicator each shown in dashed lines. The inside surface of the lid includes a mirror, which is represented with oblique lines;

FIG. 2 is a front view of the cosmetic compact shown in FIG. 1;

FIG. 3 is a back view of the cosmetic compact shown in FIG. 1;

FIG. 4 is a left side view of the cosmetic compact shown in FIG. 1;

FIG. 5 is a right side view of the cosmetic compact shown in FIG. 1;

FIG. 6 is a top view of the cosmetic compact shown in FIG. 1;

FIG. 7 is a bottom view of the cosmetic compact shown in FIG. 1;

FIG. 8 is a bottom perspective view of the cosmetic compact shown in FIG. 1;

FIG. 9 is a top perspective view of a second embodiment of a cosmetic compact in an opened position. The inside surface of the lid includes a mirror, which is represented with oblique lines;

FIG. 10 is a front view of the cosmetic compact shown in FIG. 9;

FIG. 11 is a back view of the cosmetic compact shown in FIG. 9;

FIG. 12 is a left side view of the cosmetic compact shown in FIG. 9;

FIG. 13 is a right side view of the cosmetic compact shown in FIG. 9;

FIG. 14 is a top view of the cosmetic compact shown in FIG. 9;

FIG. 15 is a bottom view of the cosmetic compact shown in FIG. 9;

FIG. 16 is a bottom perspective view of the cosmetic compact shown in FIG. 9.

FIG. 17 is a top perspective view of a third embodiment of a cosmetic compact in an opened position with a cosmetic pan and a cosmetic applicator each shown in dashed lines; FIG. 18 is a front view of the cosmetic compact shown in FIG. 17;

FIG. 19 is a back view of the cosmetic compact shown in FIG. 17;

FIG. 20 is a left side view of the cosmetic compact shown in FIG. 17;

FIG. 21 is a right side view of the cosmetic compact shown in FIG. 17;

FIG. 22 is a top view of the cosmetic compact shown in FIG. 17;

FIG. 23 is a bottom view of the cosmetic compact shown in FIG. 17;

FIG. 24 is a bottom perspective view of the cosmetic compact shown in FIG. 17;

FIG. 25 is a top perspective view of a fourth embodiment of a cosmetic compact in an opened position;

FIG. 26 is a front view of the cosmetic compact shown in FIG. 25;

FIG. 27 is a back view of the cosmetic compact shown in FIG. 25;

FIG. 28 is a left side view of the cosmetic compact shown in FIG. 25;

FIG. 29 is a right side view of the cosmetic compact shown in FIG. 25;

FIG. 30 is a top view of the cosmetic compact shown in FIG. 25;

FIG. 31 is a bottom view of the cosmetic compact shown in FIG. 25; and,

FIG. 32 is a bottom perspective view of the cosmetic compact shown in FIG. 25.

The dashed lines in FIGS. 1, 6, 17 and 22 are included for the purpose of illustrating portions of the cosmetic compact that form no part of the claimed design.

1 Claim, 32 Drawing Sheets

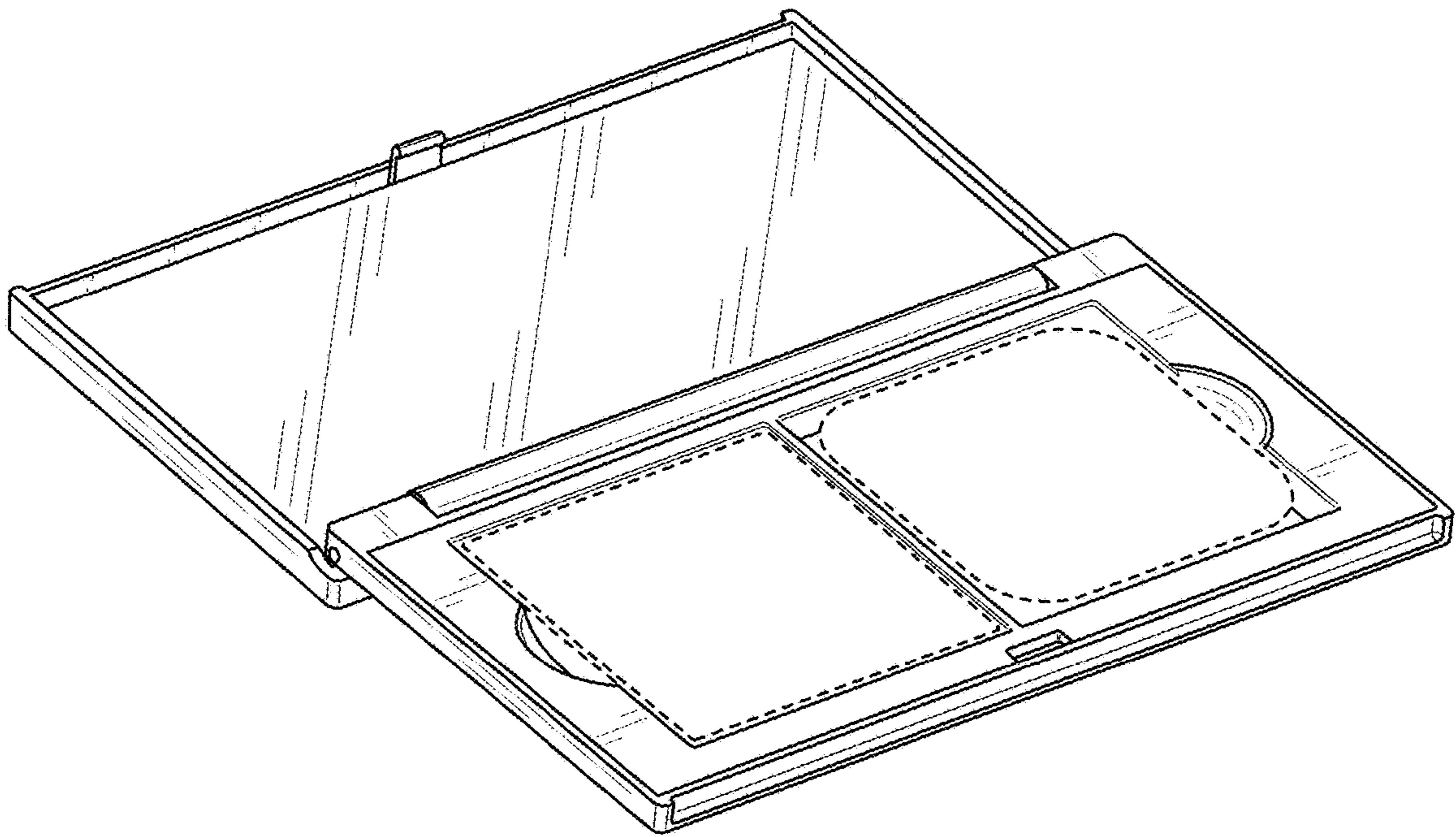


FIG. 1

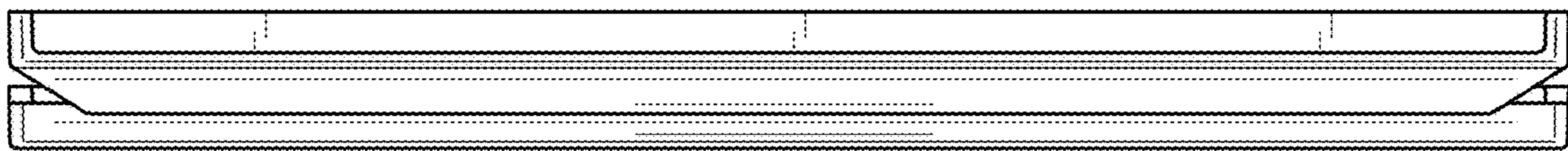


FIG. 2

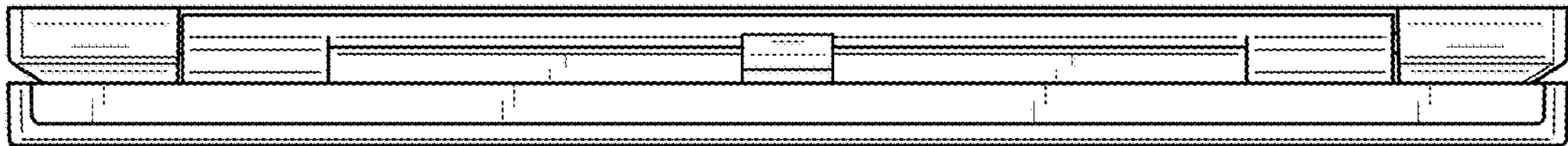


FIG. 3

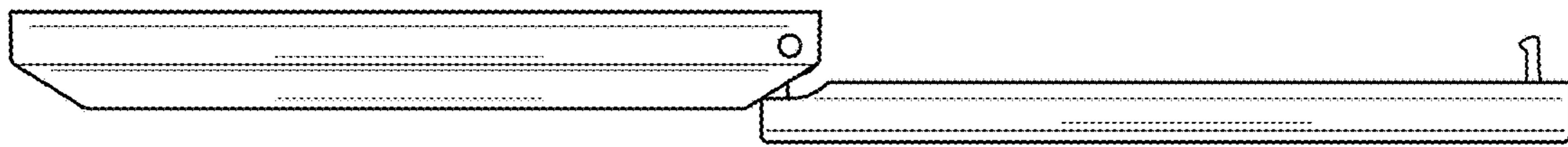


FIG. 4

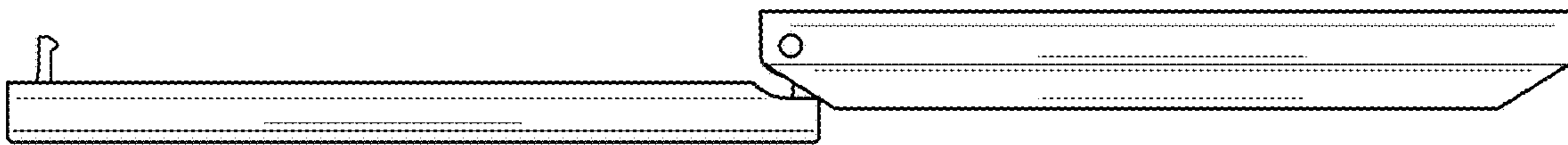


FIG. 5

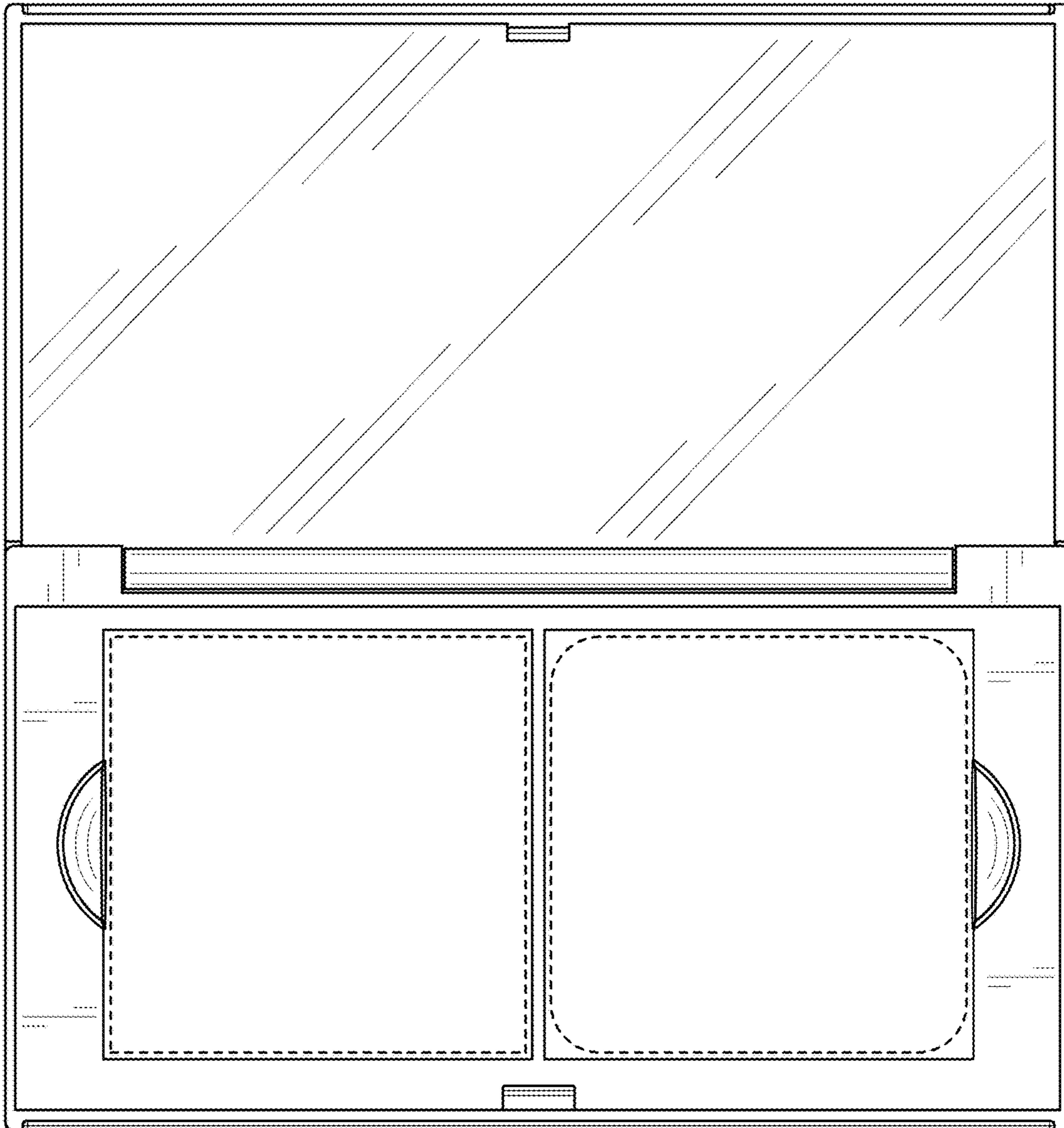


FIG. 6

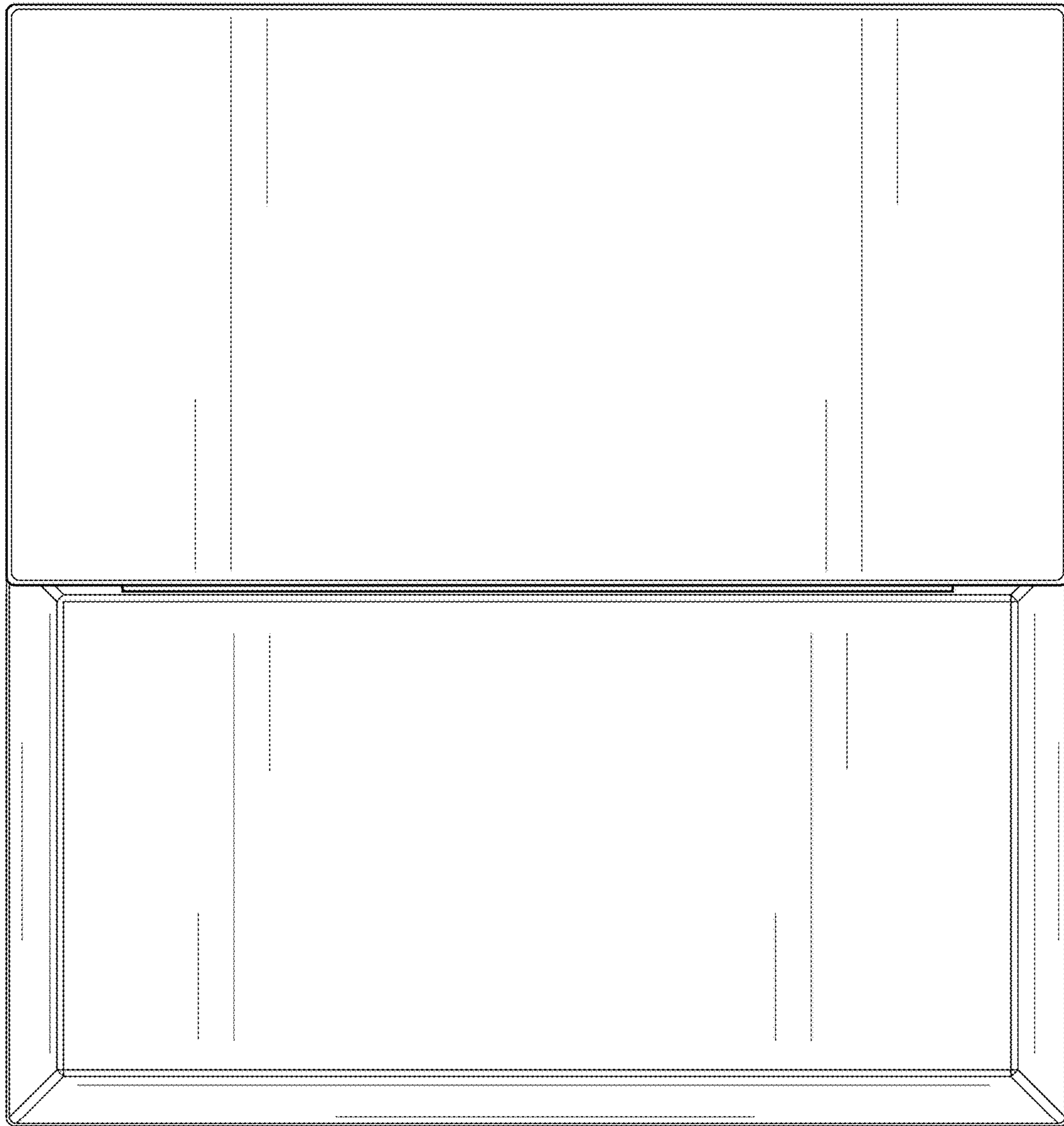


FIG. 7

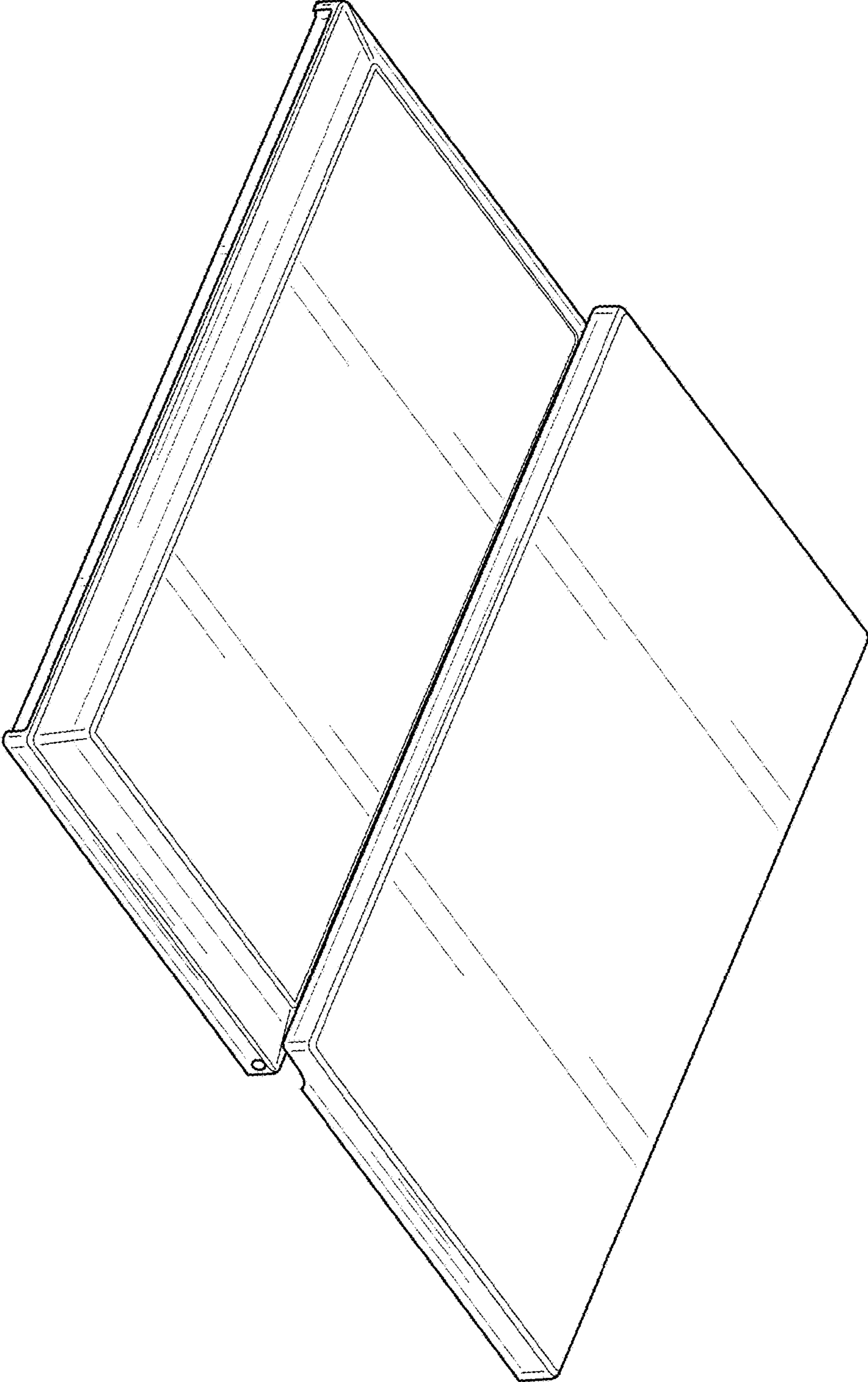


FIG. 8

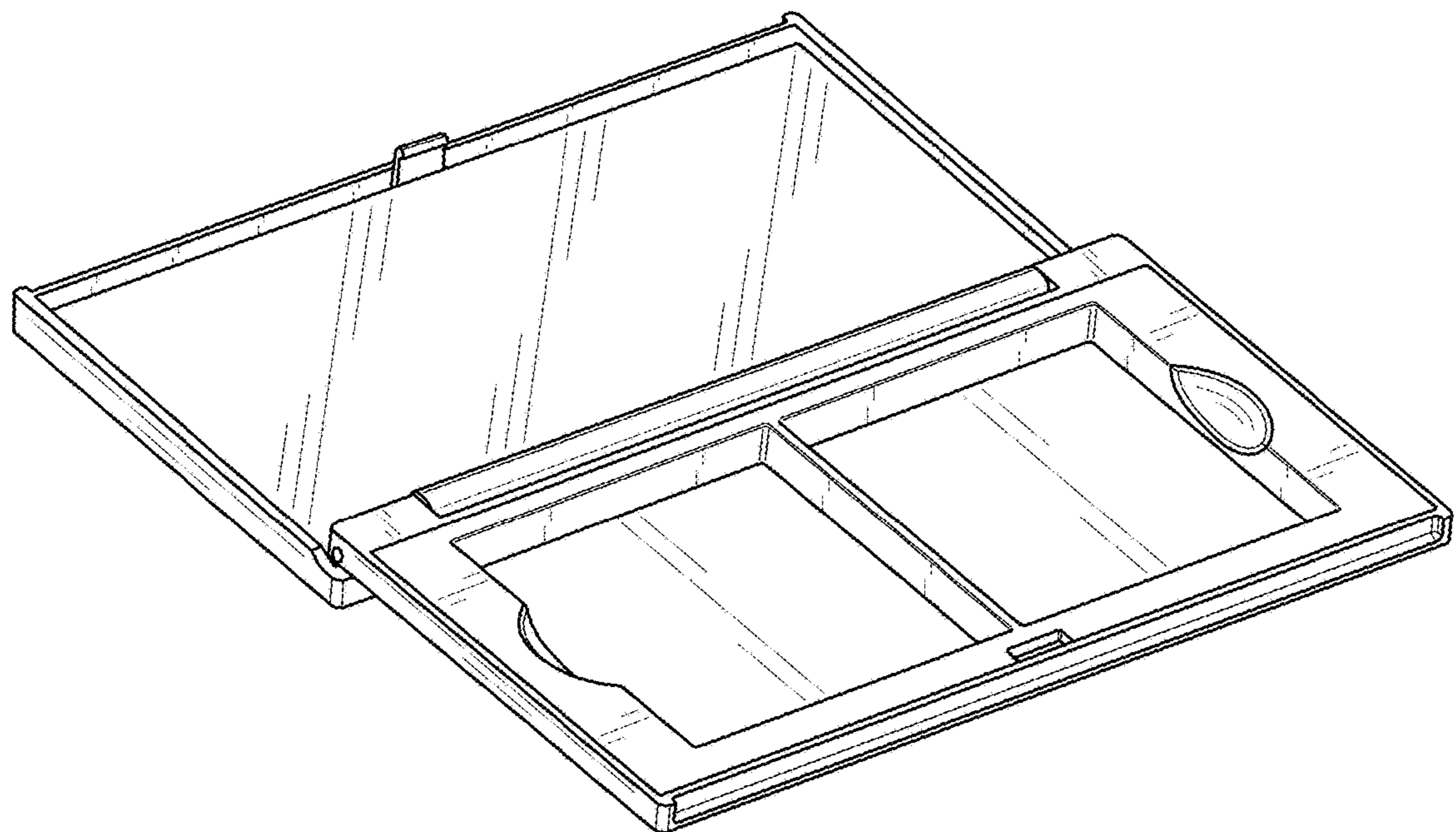


FIG. 9

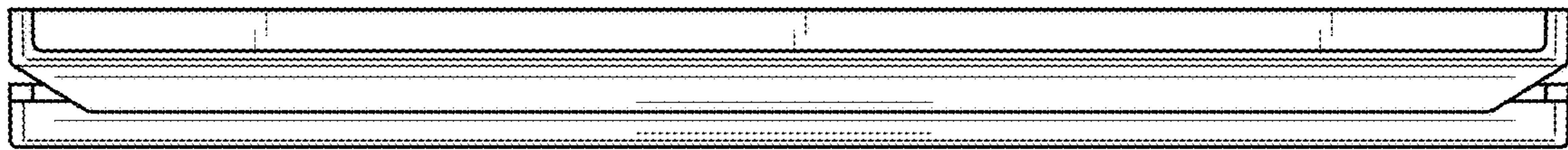


FIG. 10

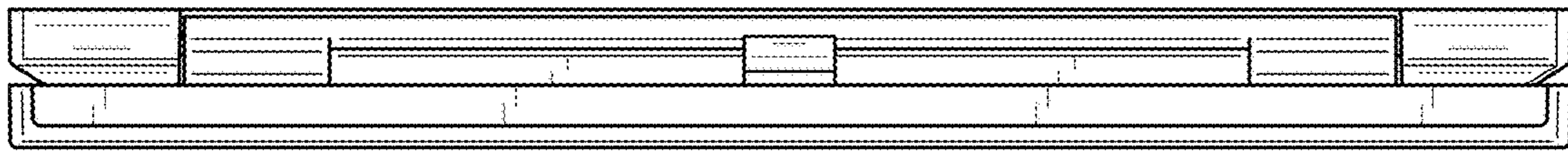


FIG. 11

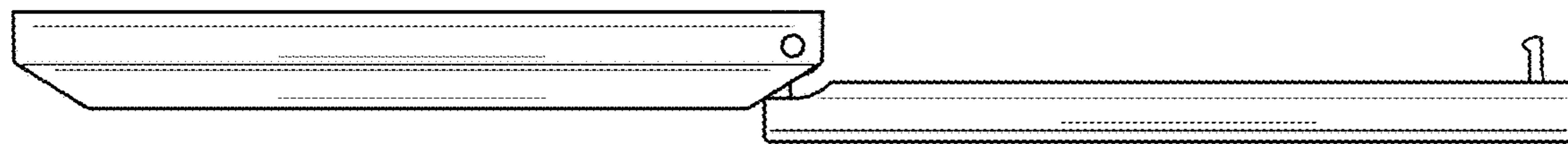


FIG. 12

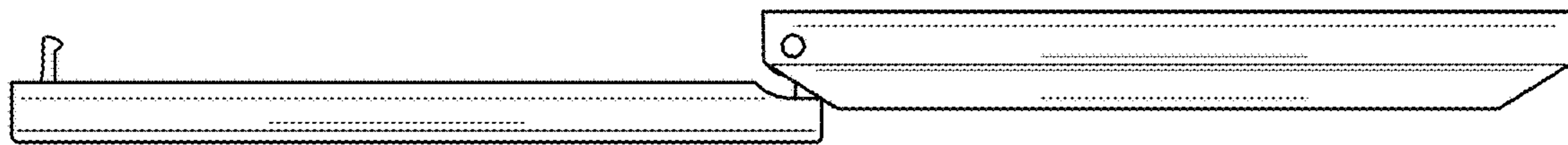


FIG. 13

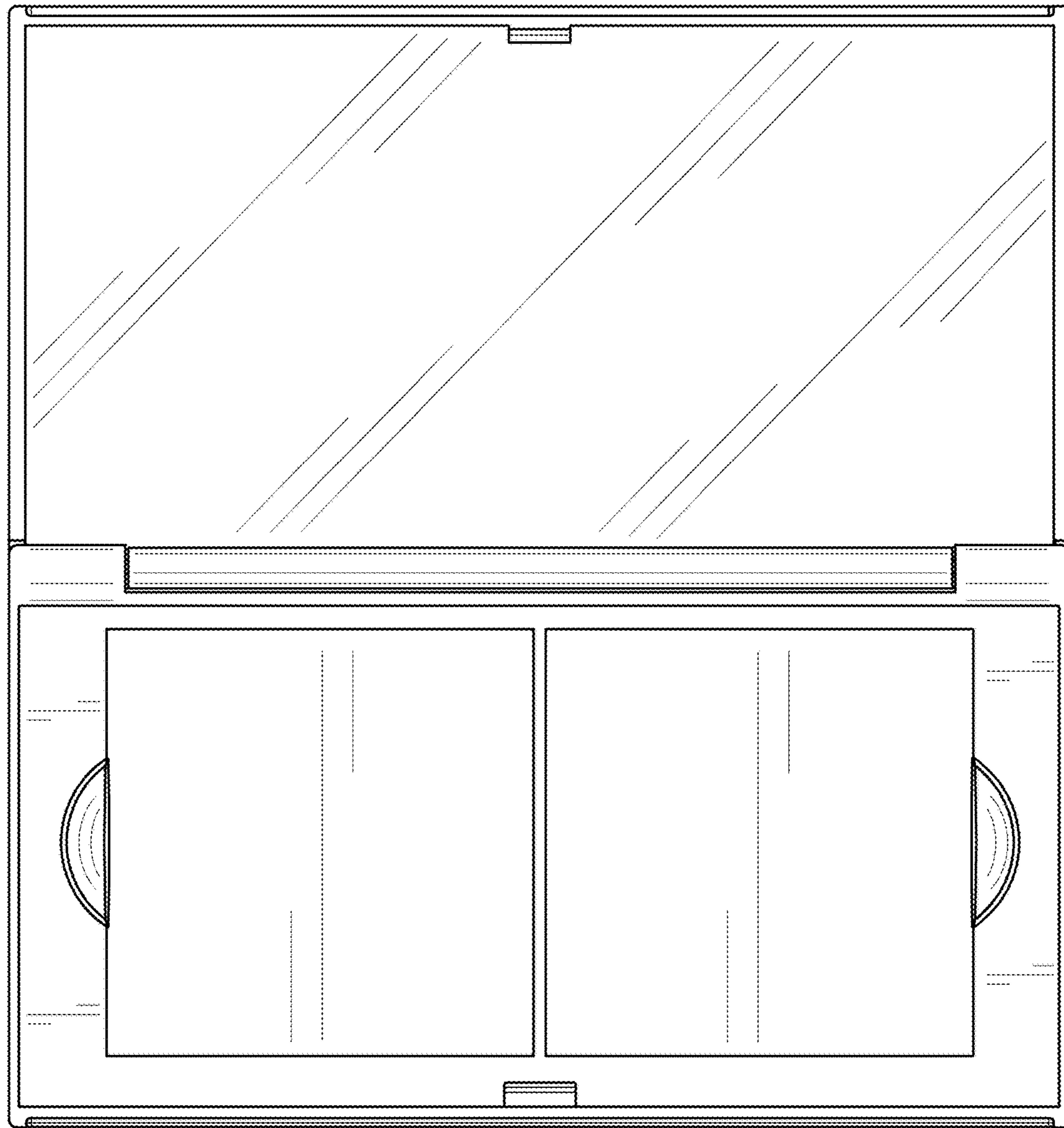


FIG. 14

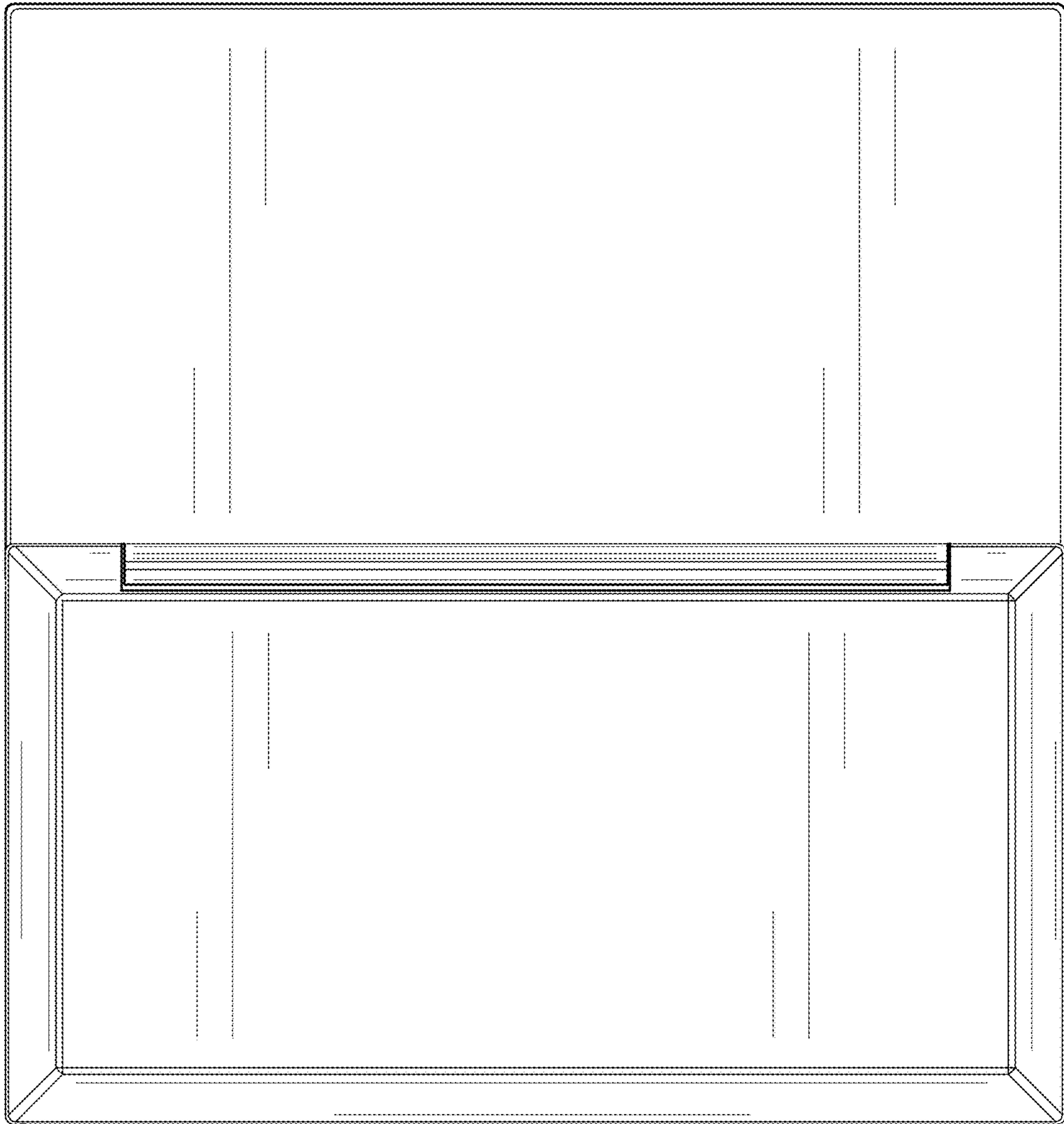


FIG. 15

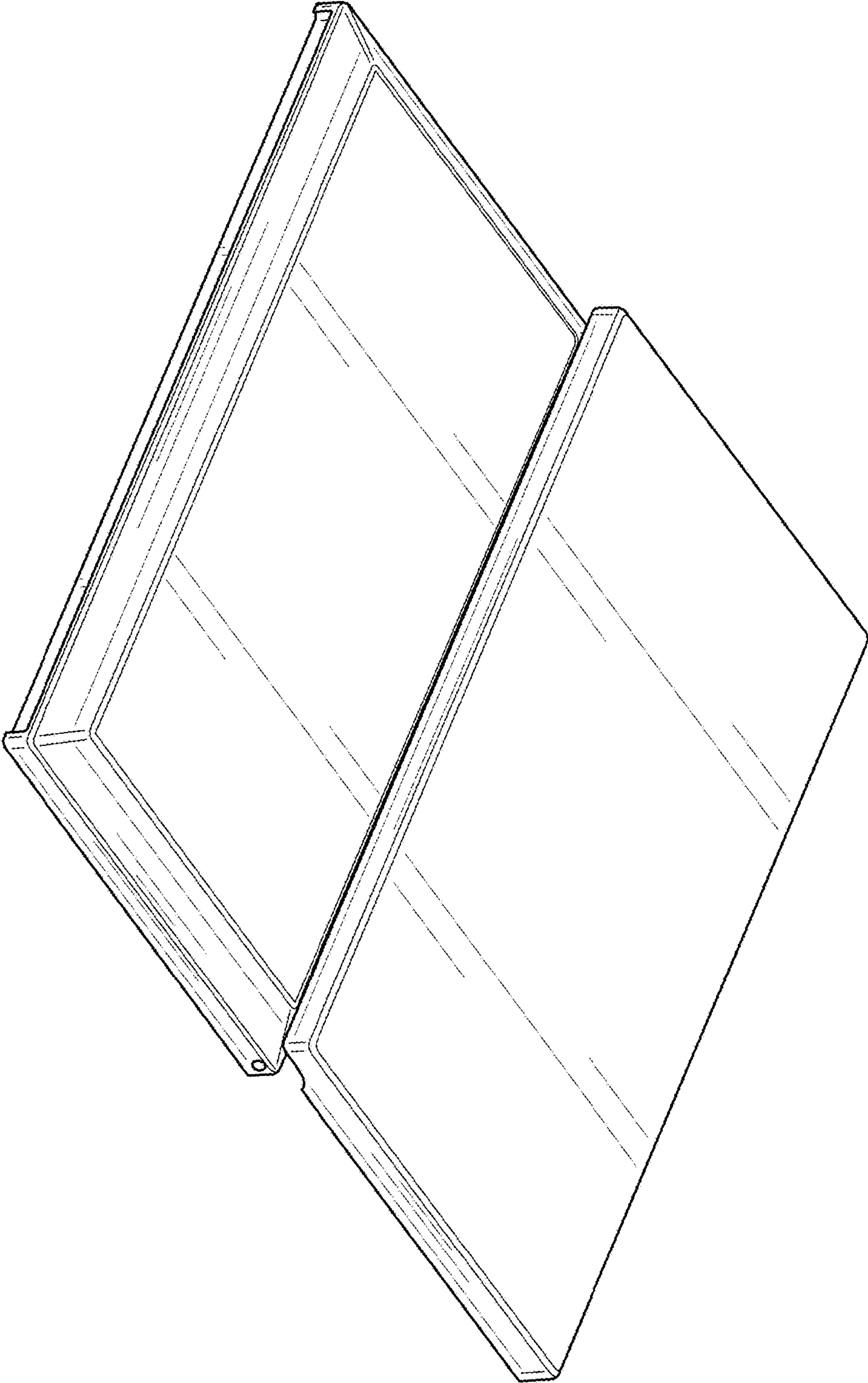


FIG. 16

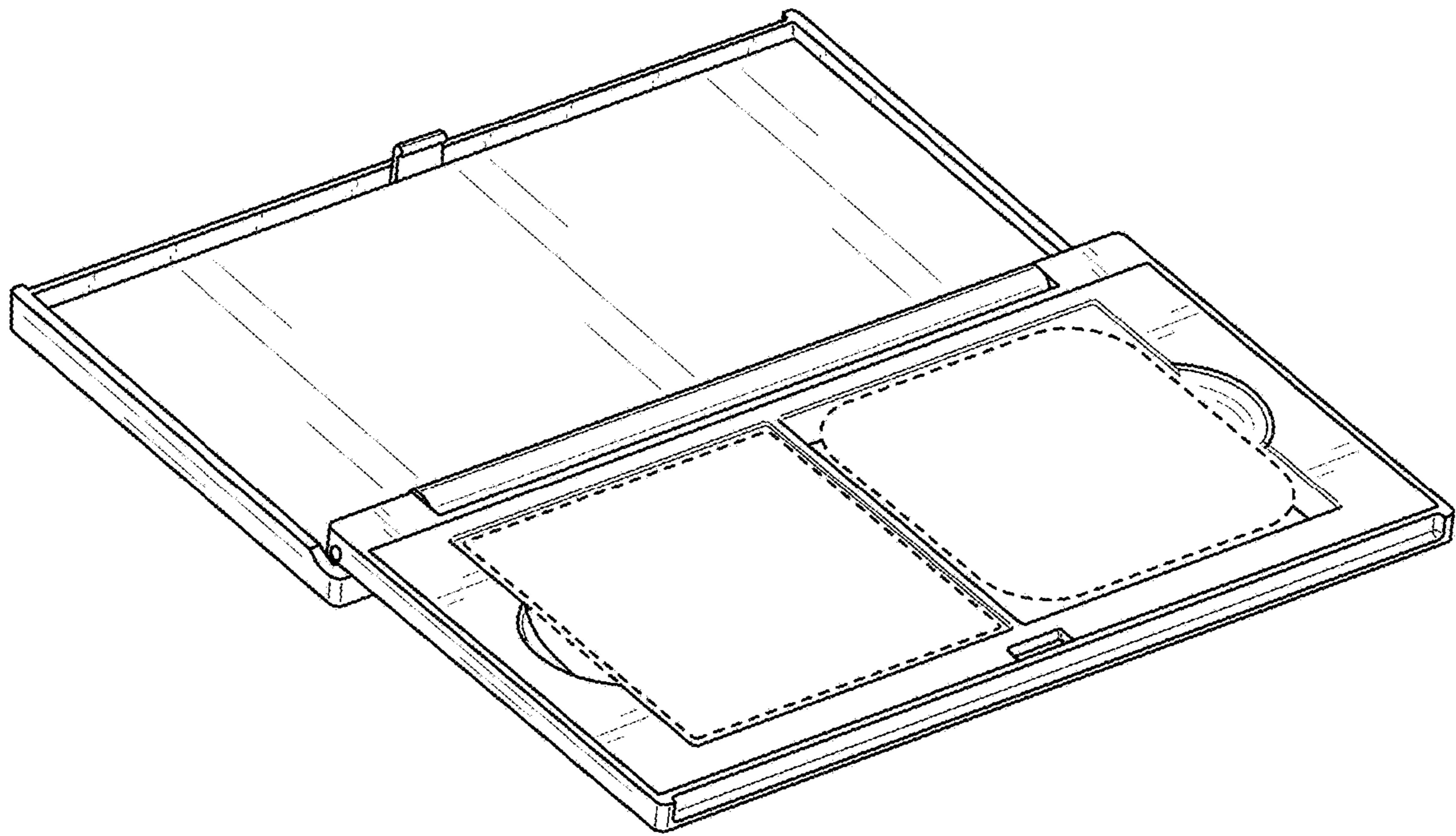


FIG. 17

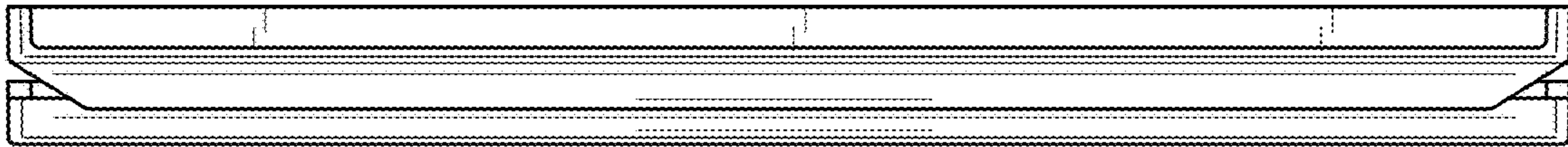


FIG. 18

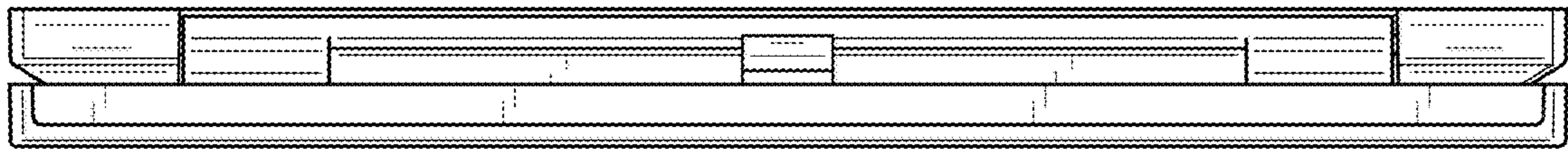


FIG. 19

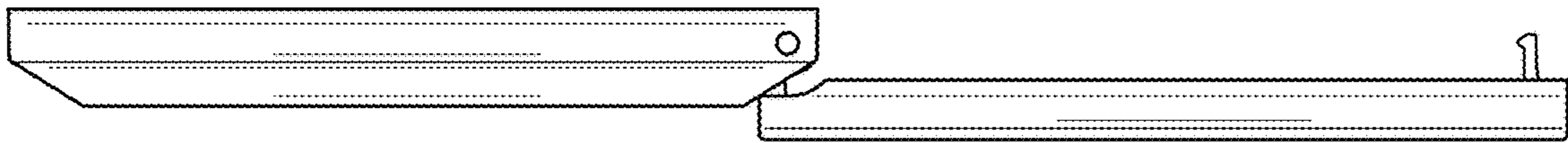


FIG. 20

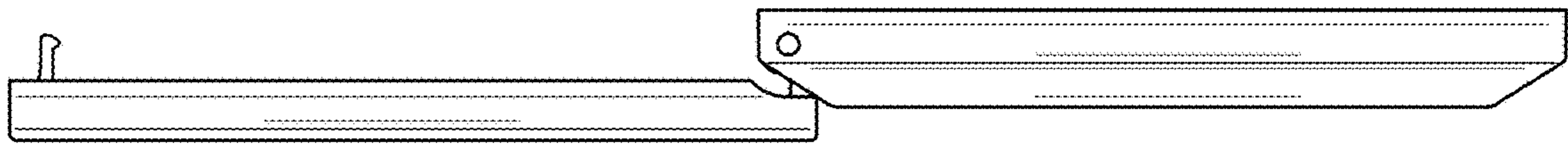


FIG. 21

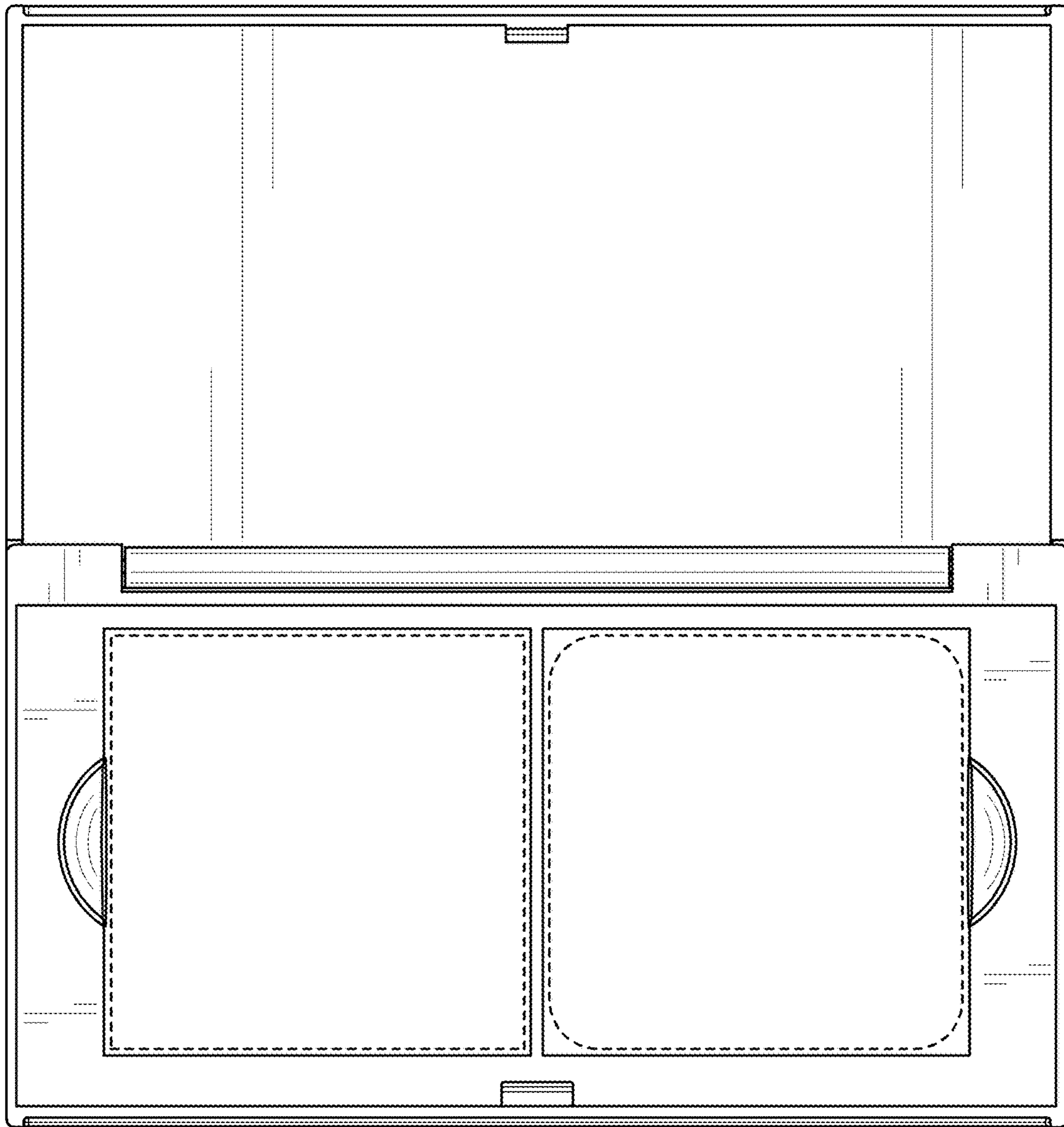


FIG. 22

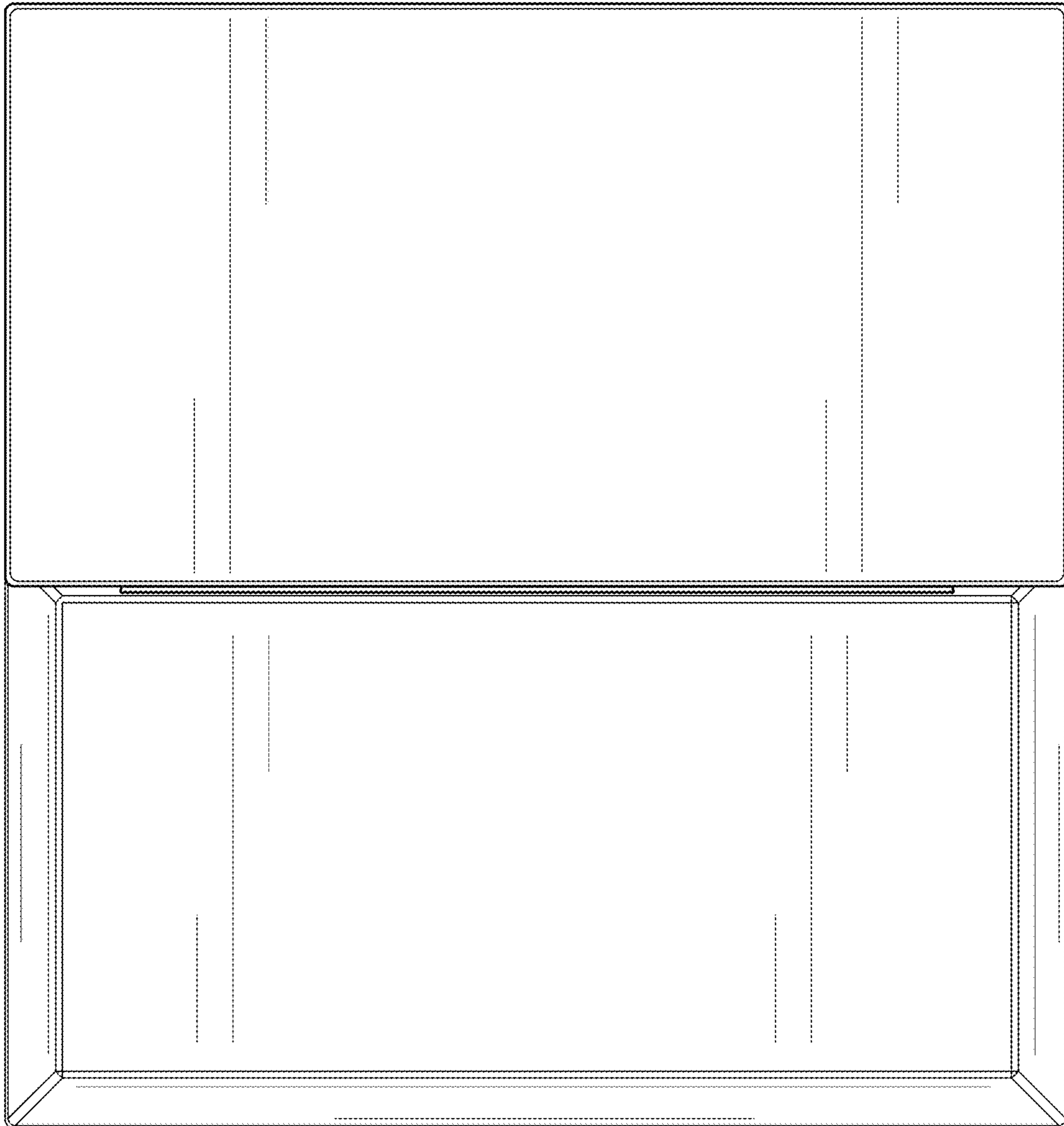


FIG. 23

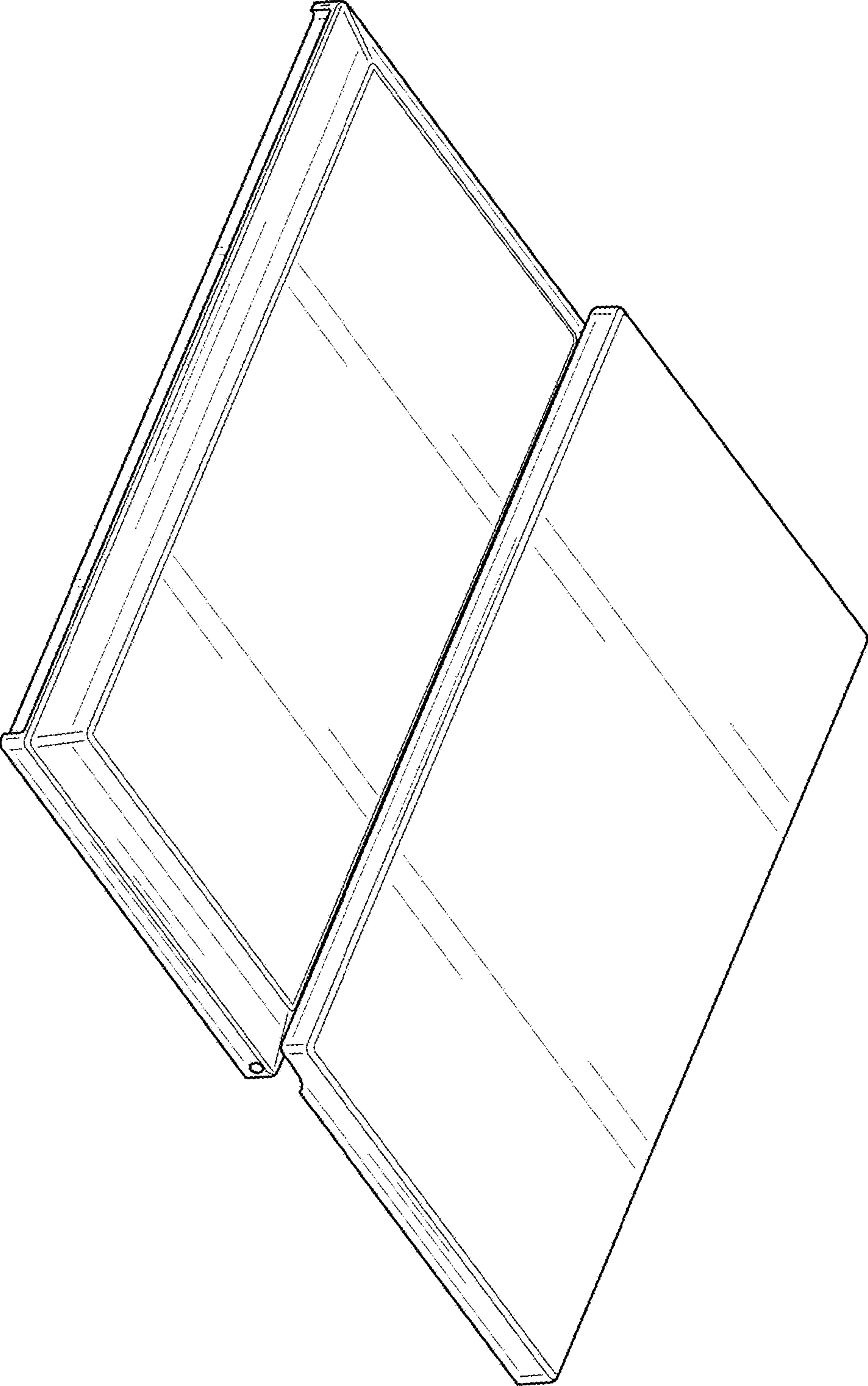


FIG. 24

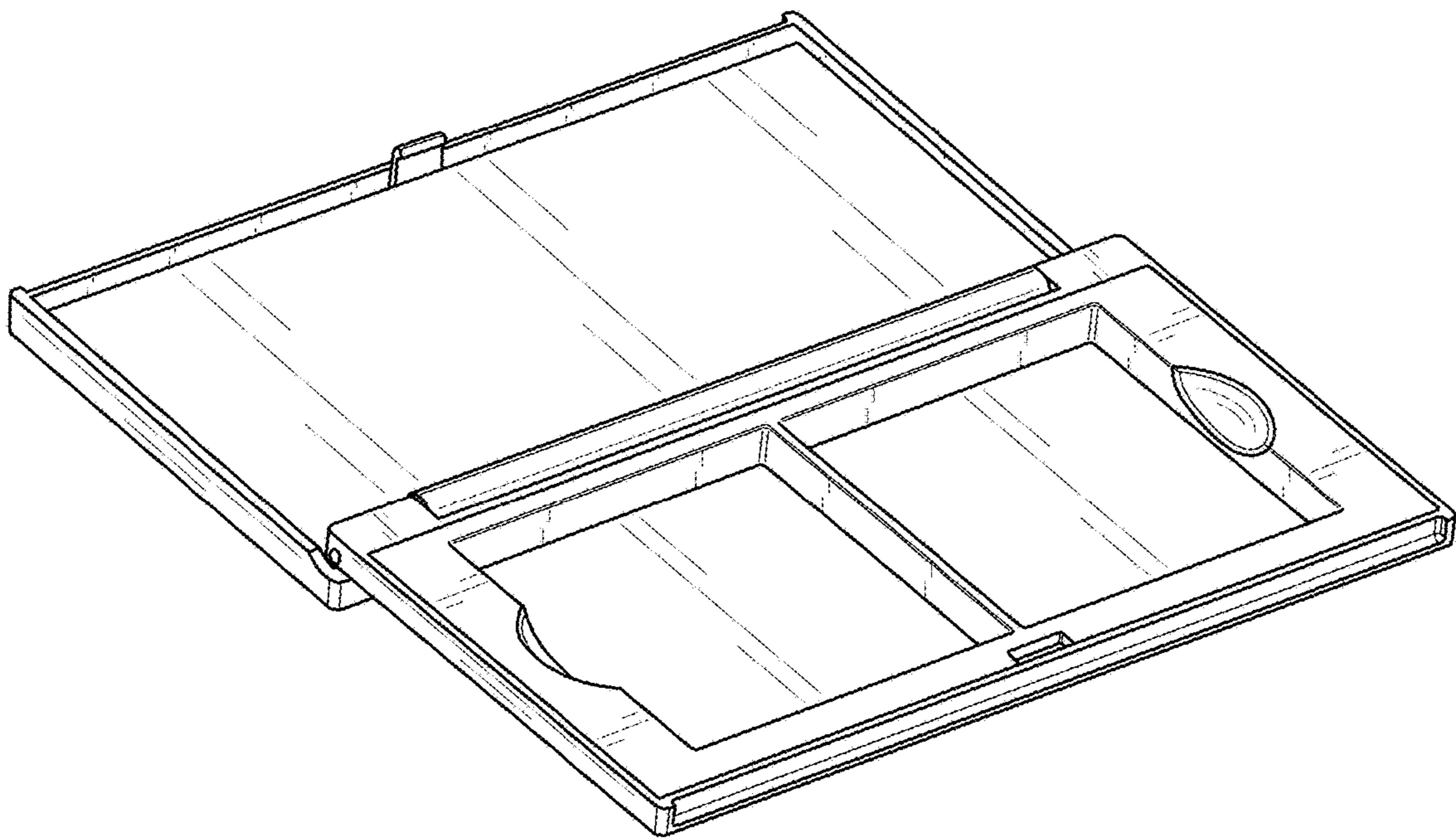


FIG. 25

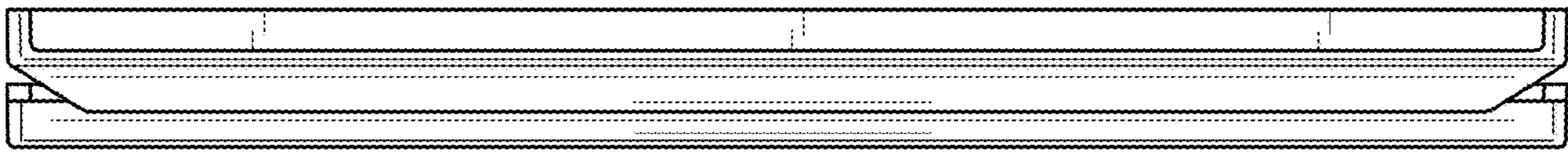


FIG. 26

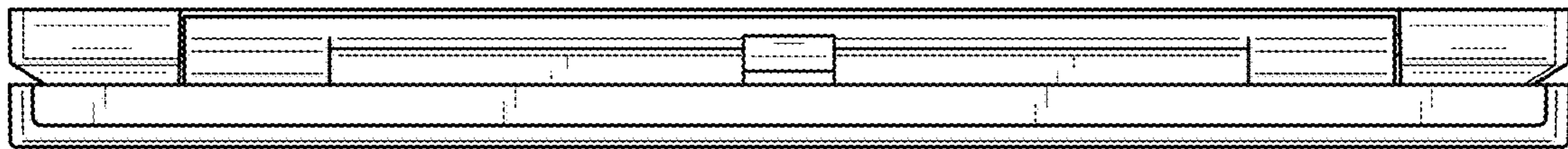


FIG. 27

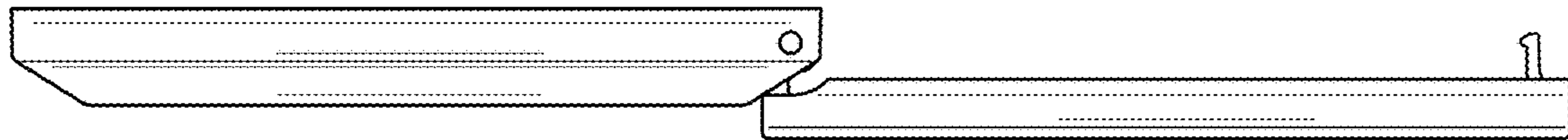


FIG. 28

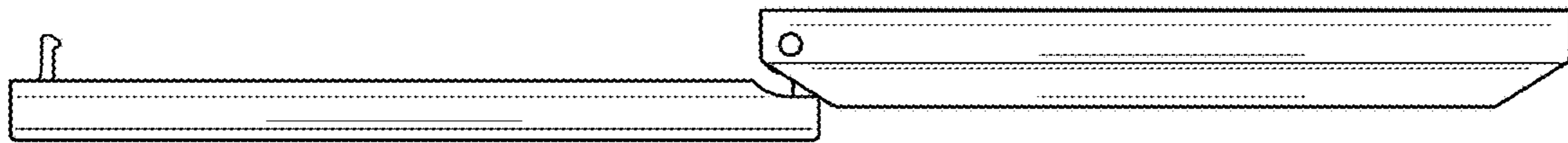


FIG. 29

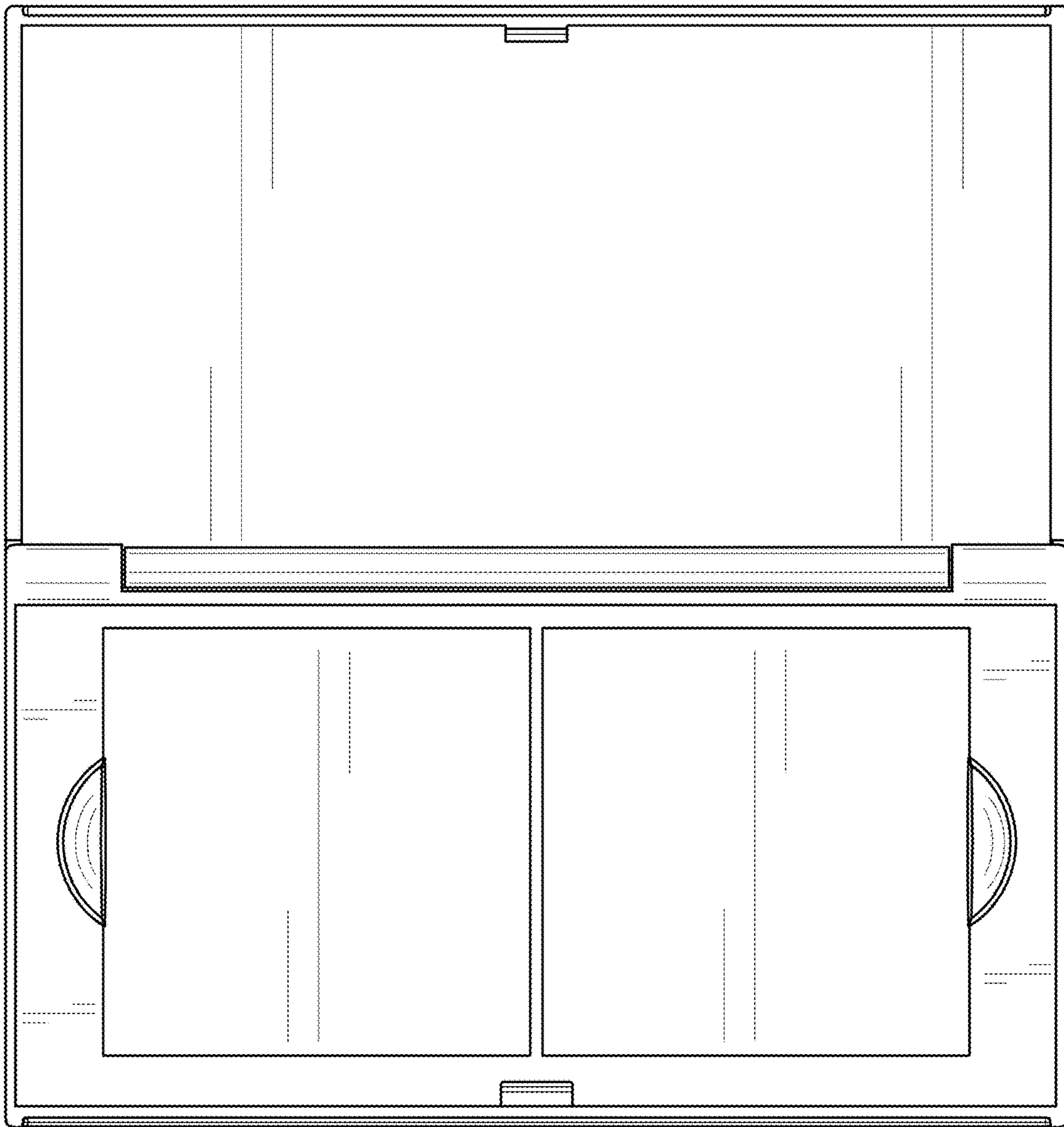


FIG. 30

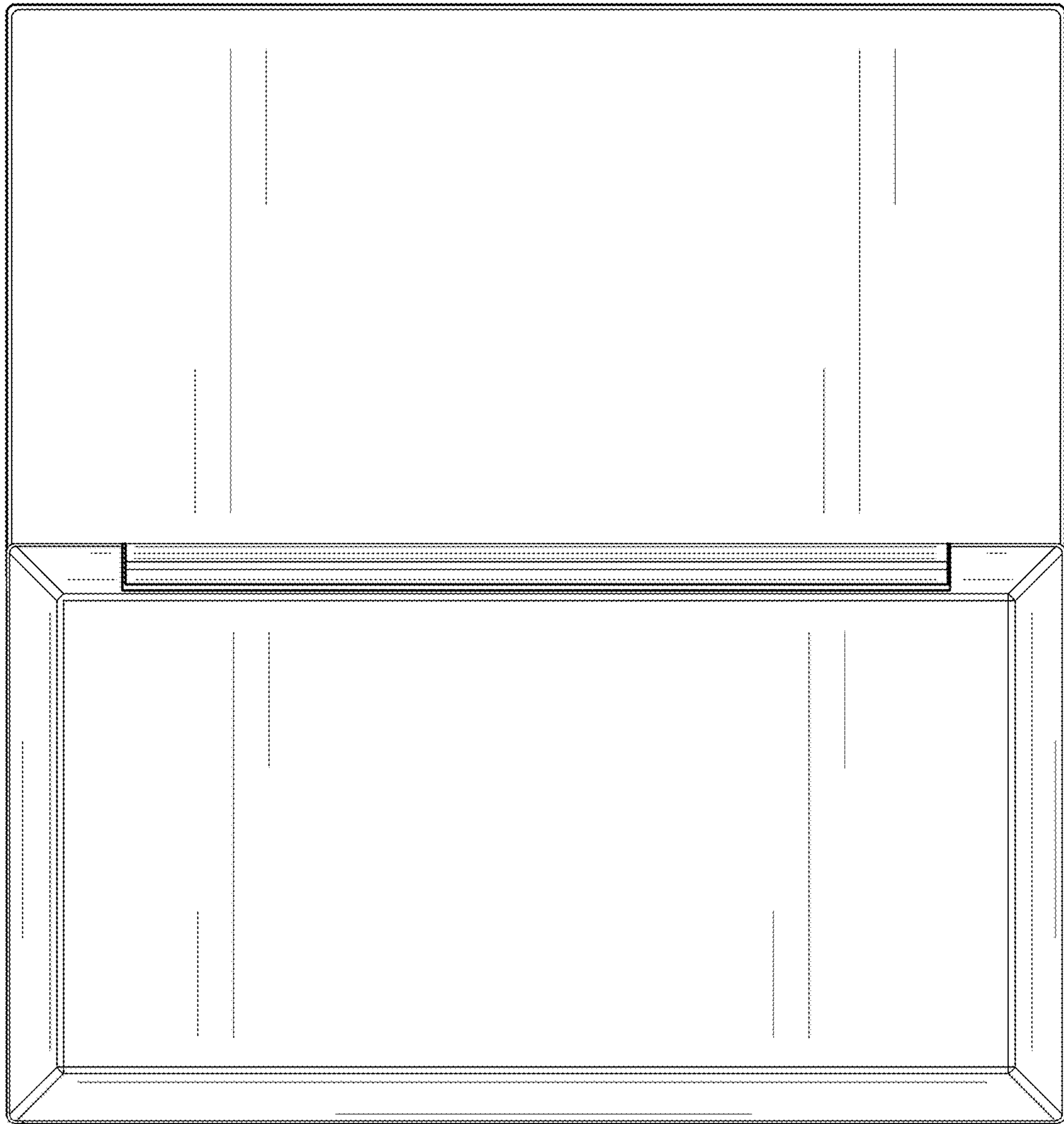


FIG. 31

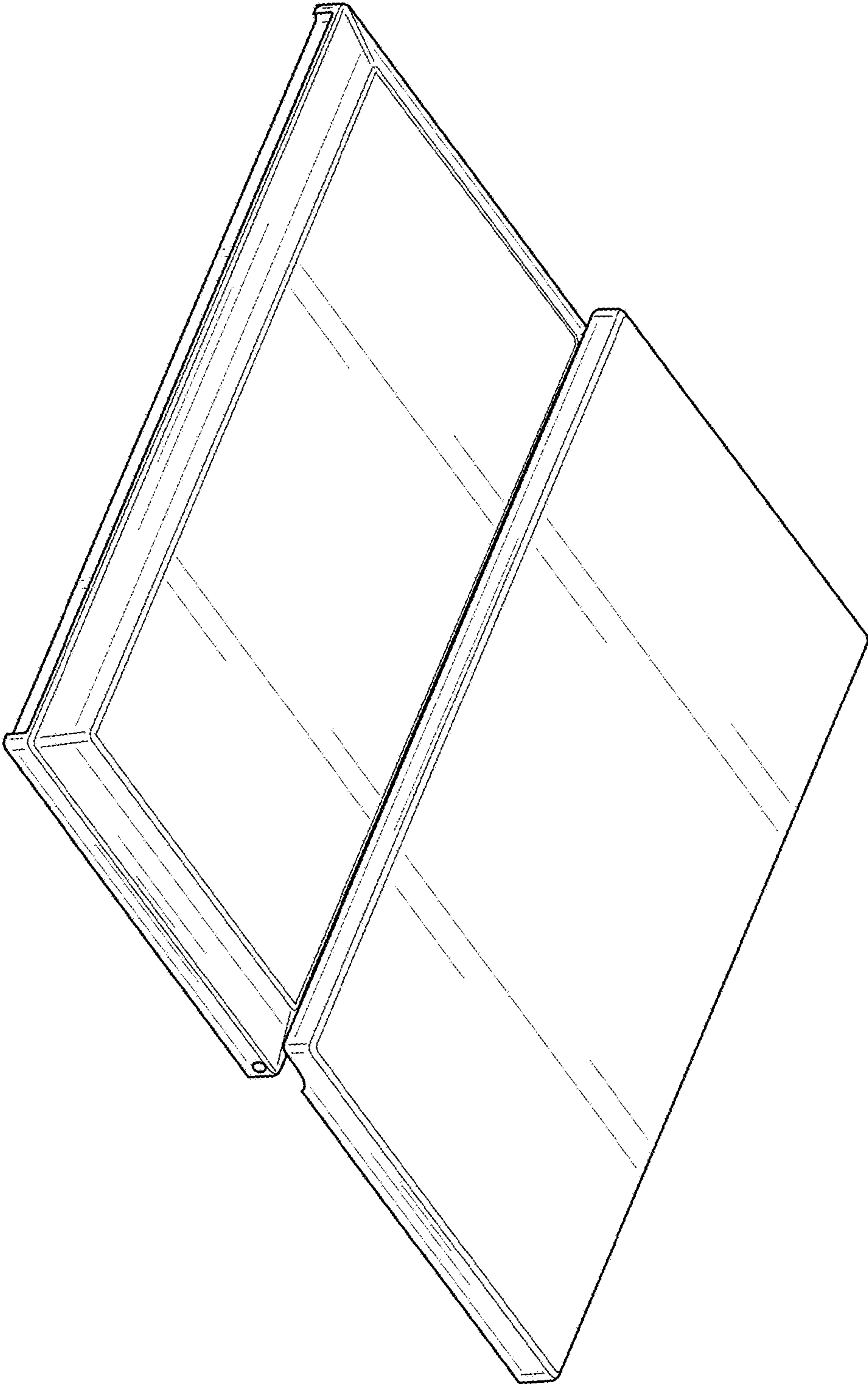


FIG. 32