



US00D836841S

(12) **United States Design Patent**
de Bélizal

(10) **Patent No.:** **US D836,841 S**

(45) **Date of Patent:** **** Dec. 25, 2018**

(54) **HAIR CLIPPER WITH INTERCHANGEABLE HEADS**

7,536,789 B2 * 5/2009 Michel A45D 24/22
30/200

8,439,190 B2 * 5/2013 Michel A45D 24/22
206/228

(71) Applicant: **BABYLISS FACO SPRL**, Wandre
(BE)

8,800,152 B2 * 8/2014 Werner B26B 19/20
30/200

(72) Inventor: **Charles de Gouzellon de Bélizal**, Liège
(BE)

D718,496 S * 11/2014 Ino D28/53
2012/0233865 A1 * 9/2012 Kammer B26B 19/20
30/201

2017/0305020 A1 * 10/2017 Darwinkel B26B 19/20

(**) Term: **15 Years**

* cited by examiner

(21) Appl. No.: **35/502,461**

(22) Filed: **Jan. 17, 2017**

Primary Examiner — Zenia I Bennett

(80) **Hague Agreement Data**

(74) *Attorney, Agent, or Firm* — Ladas & Parry LLP

Int. Filing Date: **Jan. 17, 2017**

Int. Reg. No.: **DM/094584**

Int. Reg. Date: **Jan. 17, 2017**

Int. Reg. Pub. Date: **Feb. 17, 2017**

(57) **CLAIM**

The ornamental design for a hair clipper with interchangeable heads, as shown and described.

(30) **Foreign Application Priority Data**

Jul. 18, 2016 (EM) 003309939-0001

DESCRIPTION

(51) **LOC (11) Cl.** **28-03**

(52) **U.S. Cl.**
USPC **D28/53**

(58) **Field of Classification Search**

USPC D28/44.1, 49–54

CPC B26B 19/00; B26B 19/02–19/107; B26B

19/12; B26B 19/14–19/18; B26B

19/20–19/22; B26B 19/26–19/36; B26B

19/38–19/48

See application file for complete search history.

Figure 1.1 is a first perspective view of the hair clipper with interchangeable heads showing our new design;

Figure 1.2 is a rear elevational view thereof;

Figure 1.3 is a front elevational view thereof;

Figure 1.4 is a left side elevational view thereof;

Figure 1.5 is a right side elevational view thereof;

Figure 1.6 is a top plan view thereof; and

Figure 1.7 is another perspective thereof.

The broken lines in the drawings are for environmental purposes only and form no part of the claimed design.

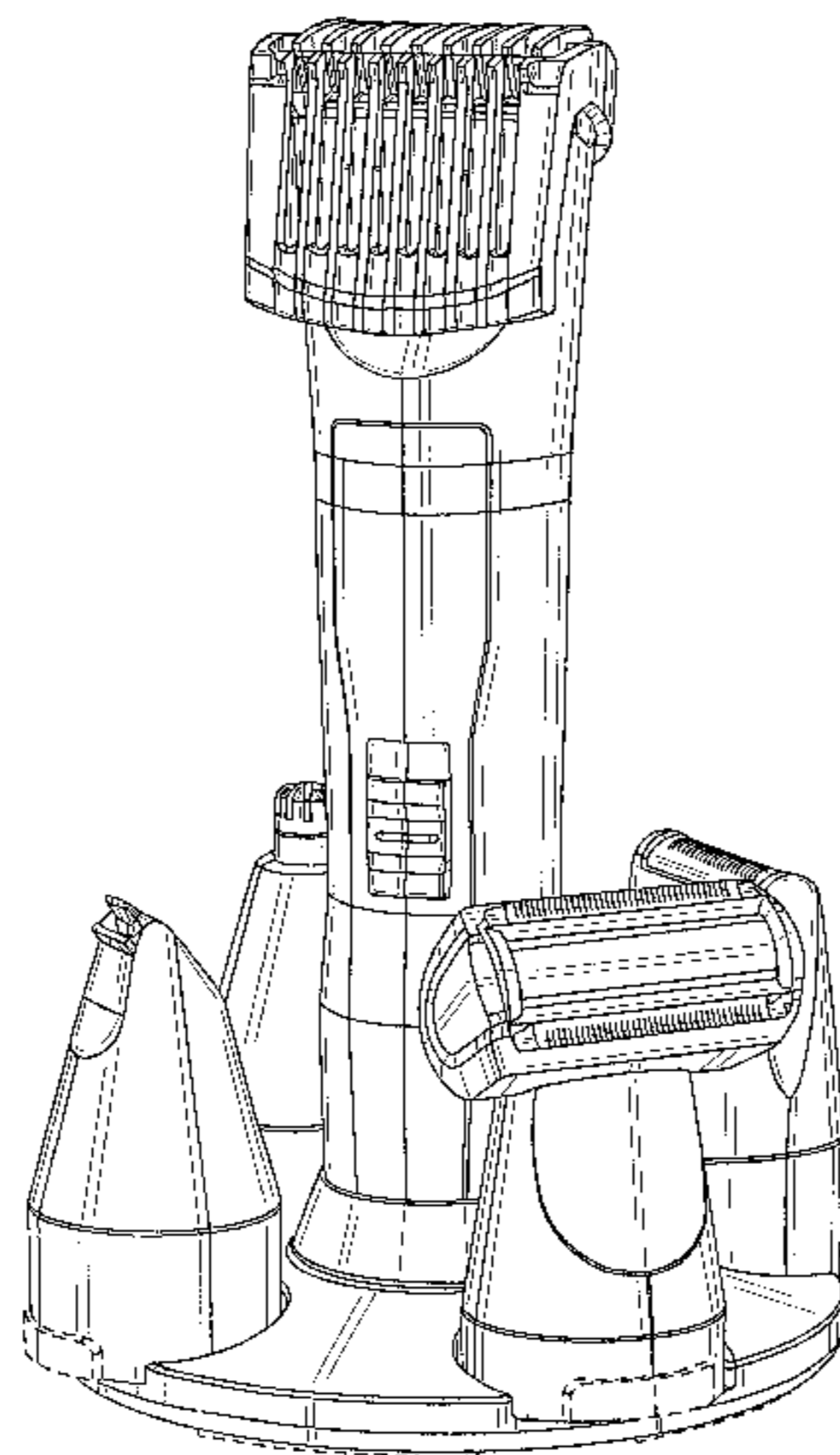
(56) **References Cited**

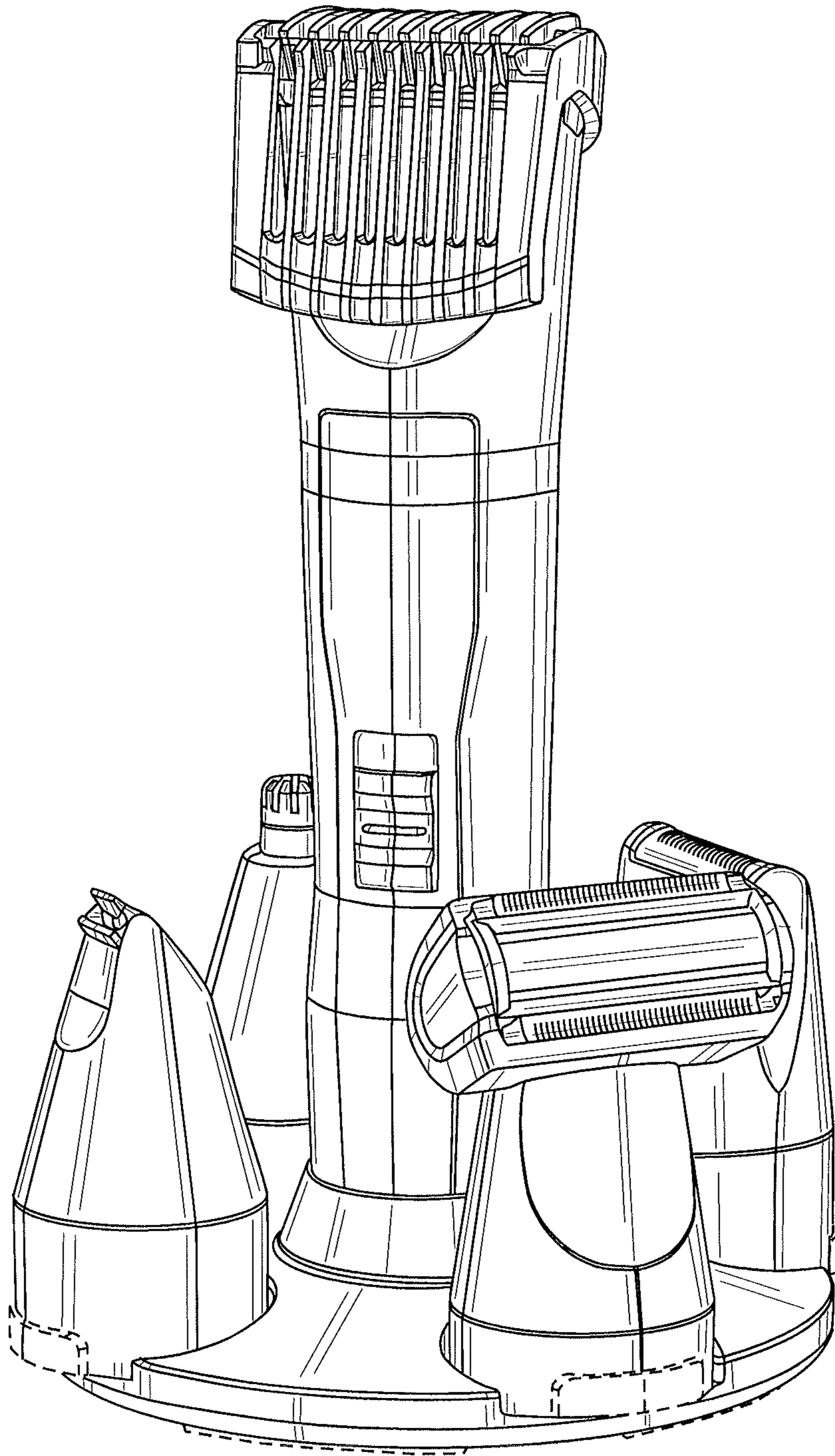
U.S. PATENT DOCUMENTS

5,054,199 A * 10/1991 Ogawa B26B 19/06
30/200

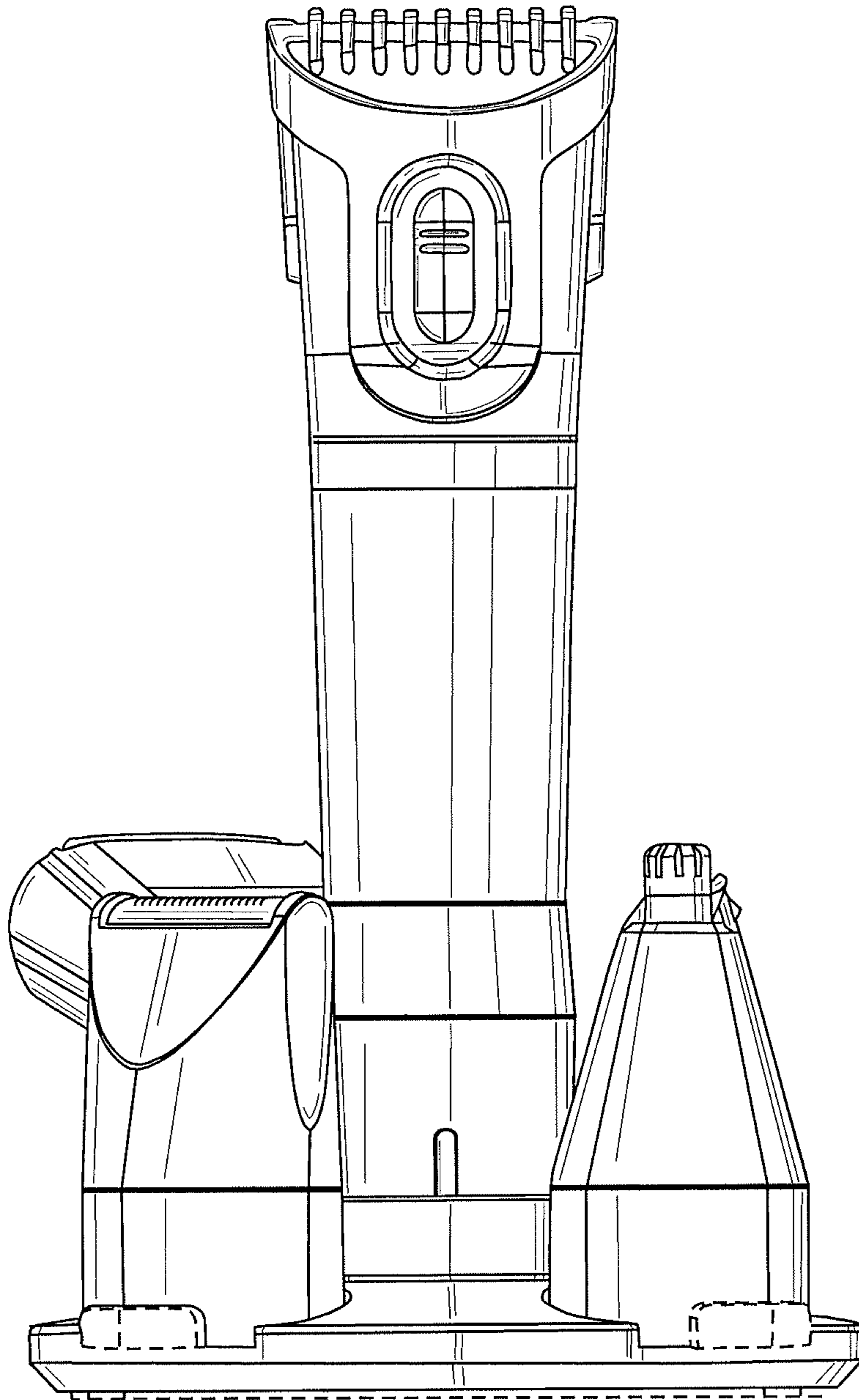
6,807,736 B2 * 10/2004 Langley B26B 19/20
30/123

1 Claim, 7 Drawing Sheets

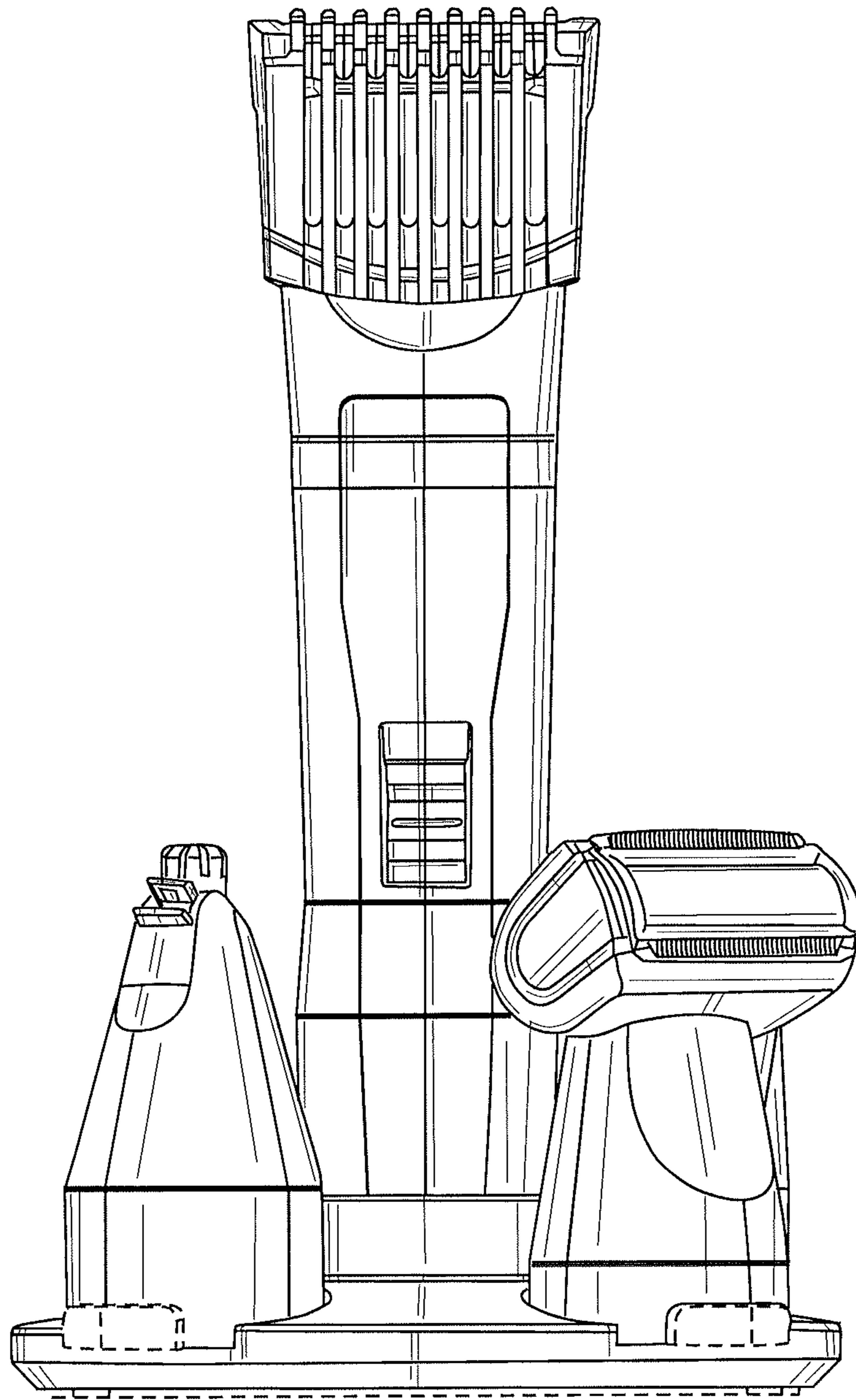




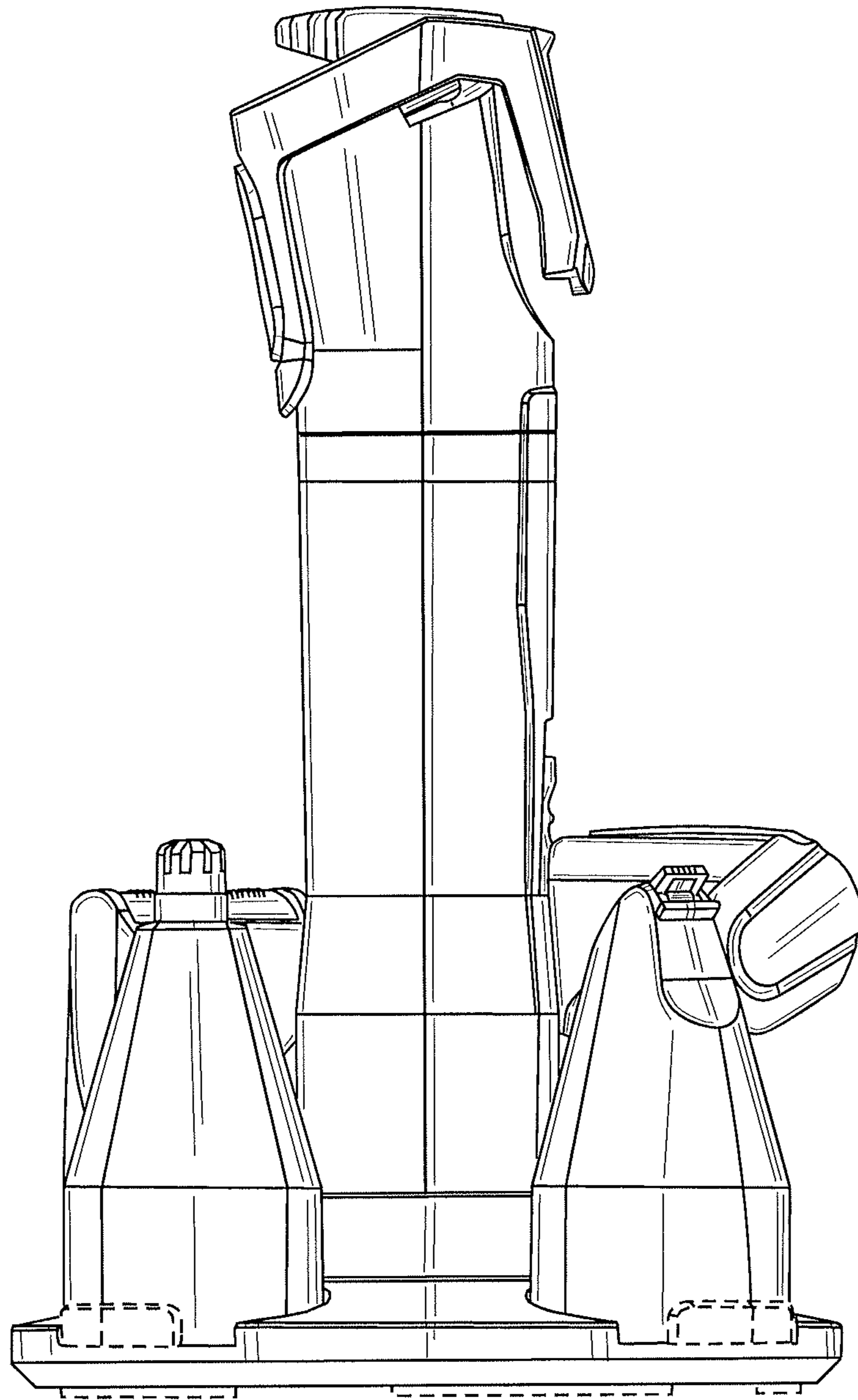
1.1



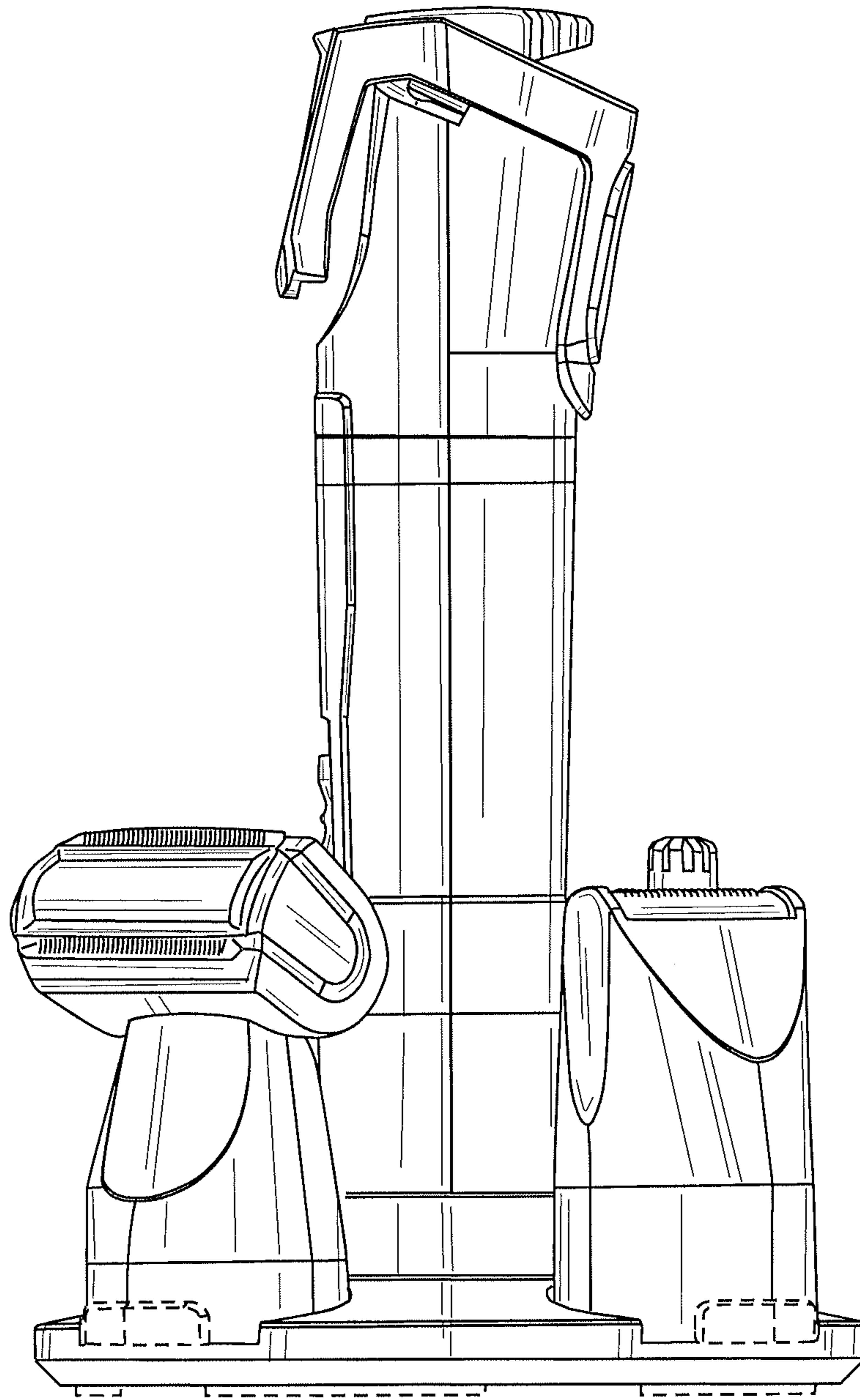
1.2



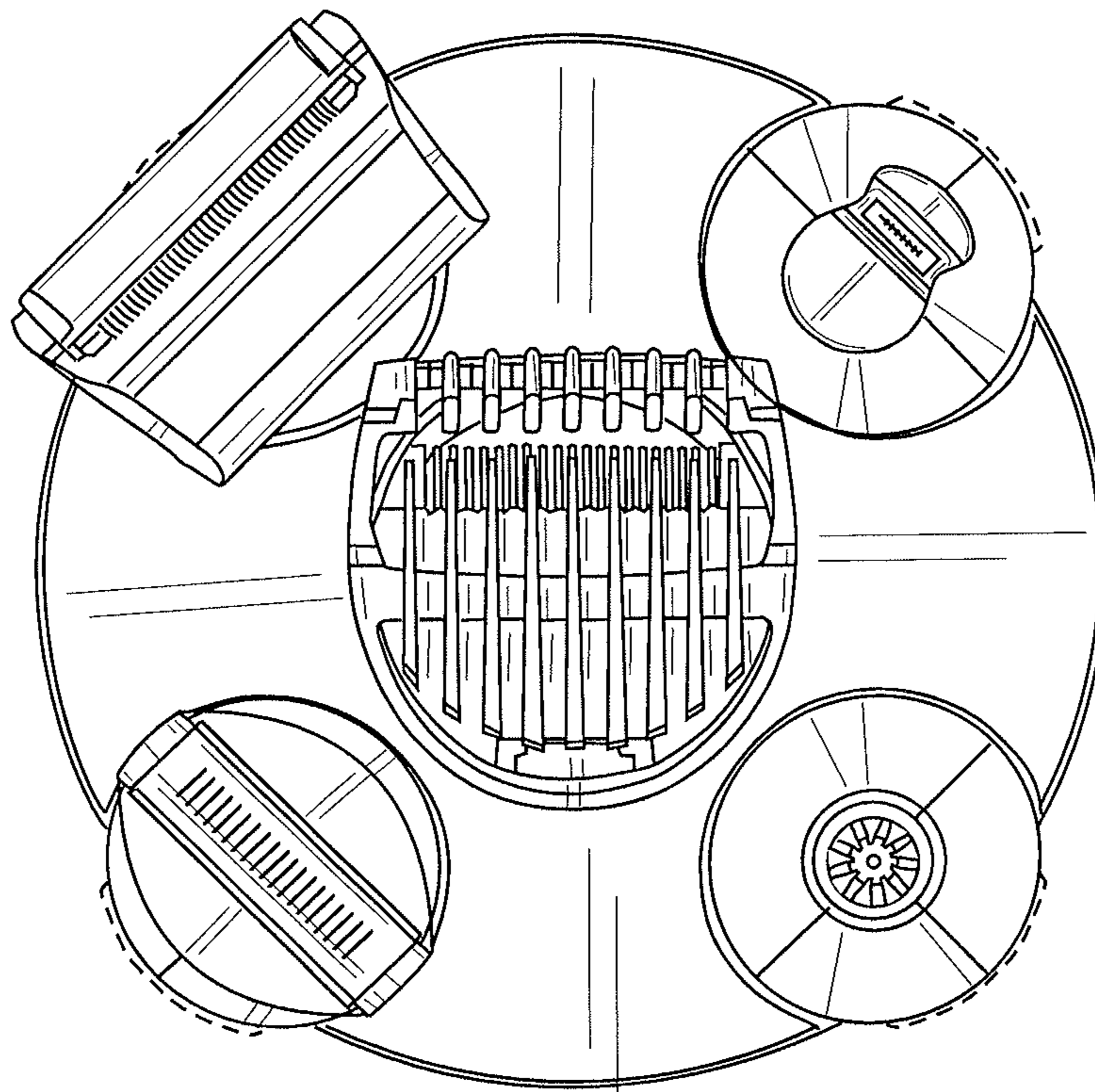
1.3



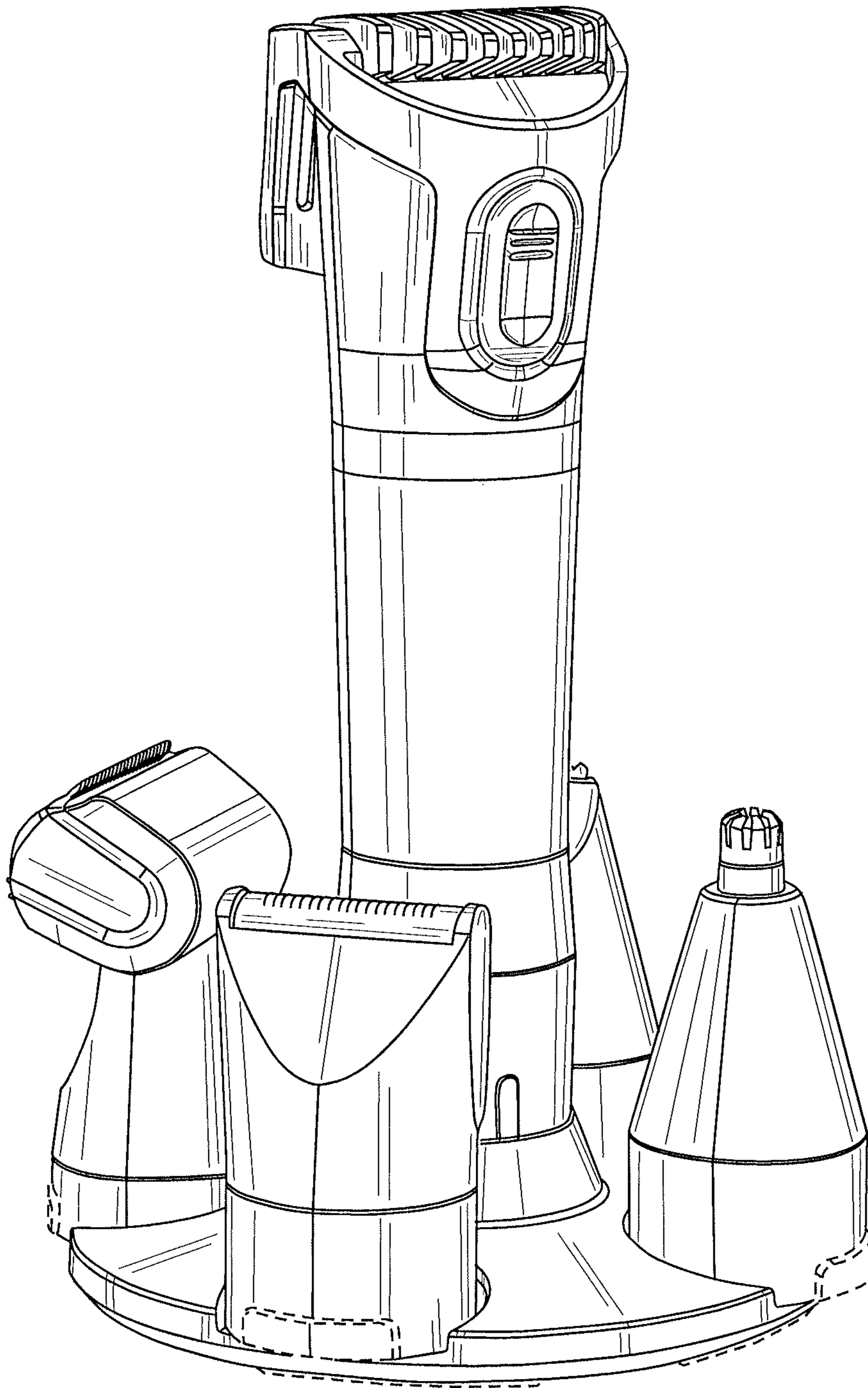
1.4



1.5



1.6



1.7