



US00D836838S

(12) **United States Design Patent** (10) **Patent No.:** **US D836,838 S**
Sze (45) **Date of Patent:** **** Dec. 25, 2018**

(54) **CLOSURE DEVICE FOR HAIR BARRETTE**

5,634,480 A * 6/1997 Lu A45D 8/26
132/275
5,682,909 A * 11/1997 Yasuda A45D 8/24
132/279
5,699,815 A * 12/1997 Furukawa A45D 8/24
132/275

(71) Applicant: **Tung Hing Plastic Manufactory Ltd.,**
Kowloon (CN)

(72) Inventor: **Ka Chuen Sze,** Kowloon (CN)

(73) Assignee: **Tung Hing Plastic Manufacturing**
LTD., Kowloon, Hong Kong (CN)

(**) Term: **15 Years**

(21) Appl. No.: **29/628,648**

(22) Filed: **Dec. 6, 2017**

Related U.S. Application Data

(63) Continuation-in-part of application No. 29/617,614,
filed on Sep. 14, 2017.

(51) **LOC (11) Cl.** **28-03**

(52) **U.S. Cl.**
USPC **D28/43**

(58) **Field of Classification Search**
USPC D11/3, 4, 5, 6; D28/10, 21-34, 39, 40,
D28/41, 42, 43, 92; D29/112, 108, 104
CPC A45D 2008/002; A45D 2008/004; A45D
2008/006; A45D 2008/008; A45D 8/00;
A45D 8/34; A45D 8/36; F16L 11/11
See application file for complete search history.

(56) **References Cited**

U.S. PATENT DOCUMENTS

3,645,278 A * 2/1972 Abraham A45D 8/28
132/278
3,805,813 A * 4/1974 Laughton A45D 8/24
132/279
D359,144 S * 6/1995 Healzer D28/42
5,495,862 A * 3/1996 Dewing A45D 8/24
132/278
D375,817 S * 11/1996 Nicholson D28/42

(Continued)

FOREIGN PATENT DOCUMENTS

DE 10315978 A1 * 1/2005 A45D 8/24

OTHER PUBLICATIONS

French Barrette Style Hair Clips, posted Apr. 28, 2011 [online],
retrieved Jul. 2, 2018, retrieved from internet, <<https://www.amazon.com/French-Barrette-Style-Clips-23008/dp/B000U1U4SW>>.*

Primary Examiner — Barbara Fox

Assistant Examiner — Messina L Smith

(74) *Attorney, Agent, or Firm* — Heslin Rothenberg
Farley & Mesiti P.C.; Kristian E. Ziegler; Melvin S. Li

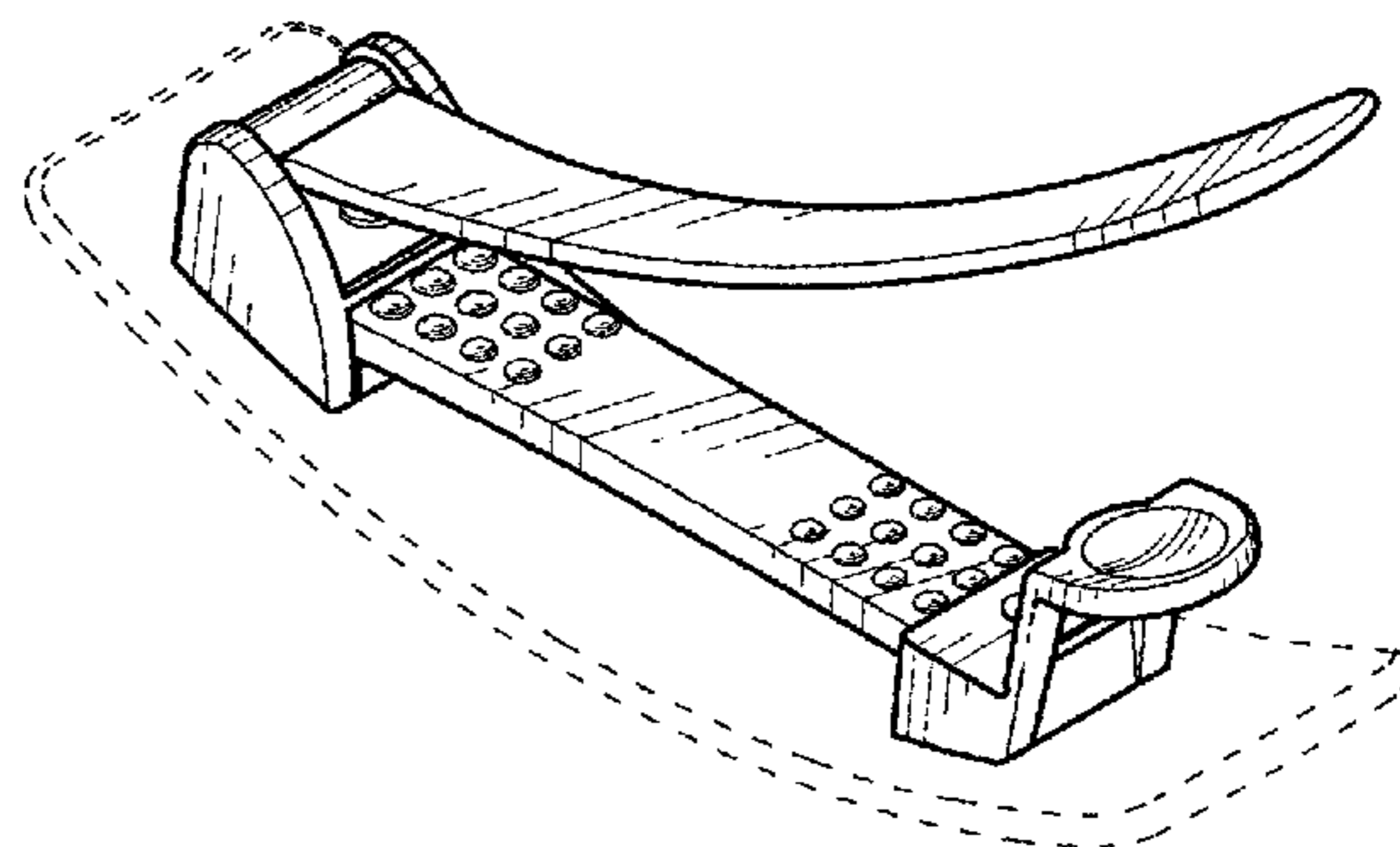
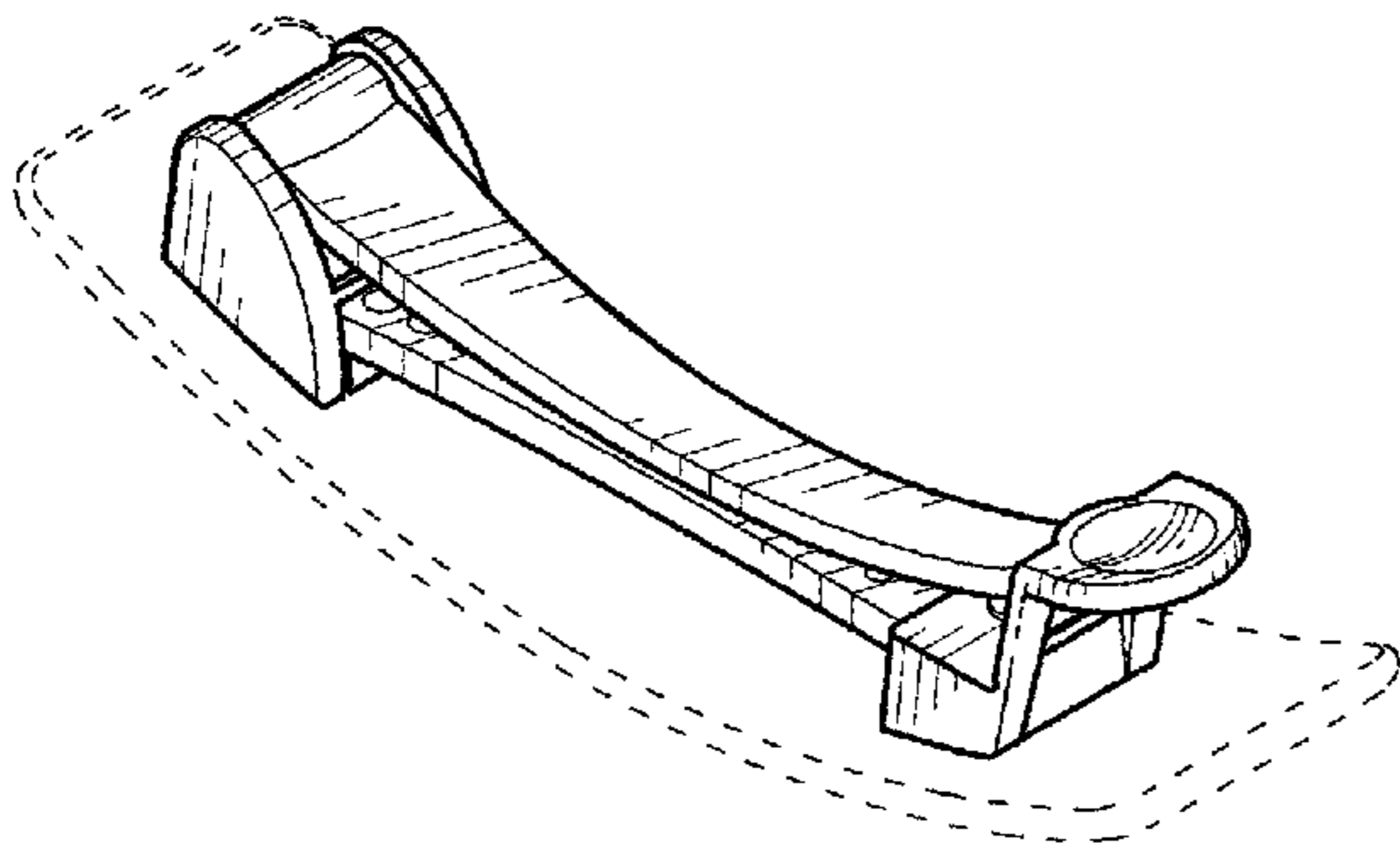
(57) **CLAIM**

The ornamental design for a closure device for hair barrette,
as shown and described.

DESCRIPTION

FIG. 1 is a side view of a closure device for hair barrette
showing the new design;
FIG. 2 is an end view thereof;
FIG. 3 is a bottom view thereof;
FIG. 4 is a top side view thereof;
FIG. 5 is another end view thereof, opposite of FIG. 2;
FIG. 6 is another side view thereof, opposite of FIG. 1;
FIG. 7 is a perspective view thereof showing the closure
device in a closed configuration; and,
FIG. 8 is another perspective view thereof showing the
closure device in an open configuration.
The broken lines in the drawings depict portions of the
closure device for hair barrette that form no part of the
claimed design.

1 Claim, 3 Drawing Sheets



(56)

References Cited

U.S. PATENT DOCUMENTS

5,709,231	A *	1/1998	Yasuda	A45D 8/24 132/278
5,816,267	A *	10/1998	Chou	A45D 8/30 132/145
5,857,469	A *	1/1999	Sowell	A45D 8/24 132/275
5,862,814	A *	1/1999	Janik	A45D 8/26 132/275
6,257,251	B1 *	7/2001	Burleson	A45D 8/24 132/279
6,295,995	B1 *	10/2001	Ewaka	A45D 8/00 132/275
9,049,914	B2	6/2015	Sze	
2004/0182412	A1 *	9/2004	Vogel	A45D 8/24 132/279
2006/0162738	A1 *	7/2006	Chudzik	A45D 8/24 132/278
2007/0079846	A1 *	4/2007	Keating	A45D 8/26 132/278
2007/0256701	A1 *	11/2007	Benz	A45D 8/24 132/278
2008/0142035	A1 *	6/2008	Hsu	A45D 8/24 132/279
2008/0156343	A1 *	7/2008	Chininis	A45D 8/26 132/278
2010/0012144	A1 *	1/2010	Recchion	A45D 8/28 132/279

* cited by examiner

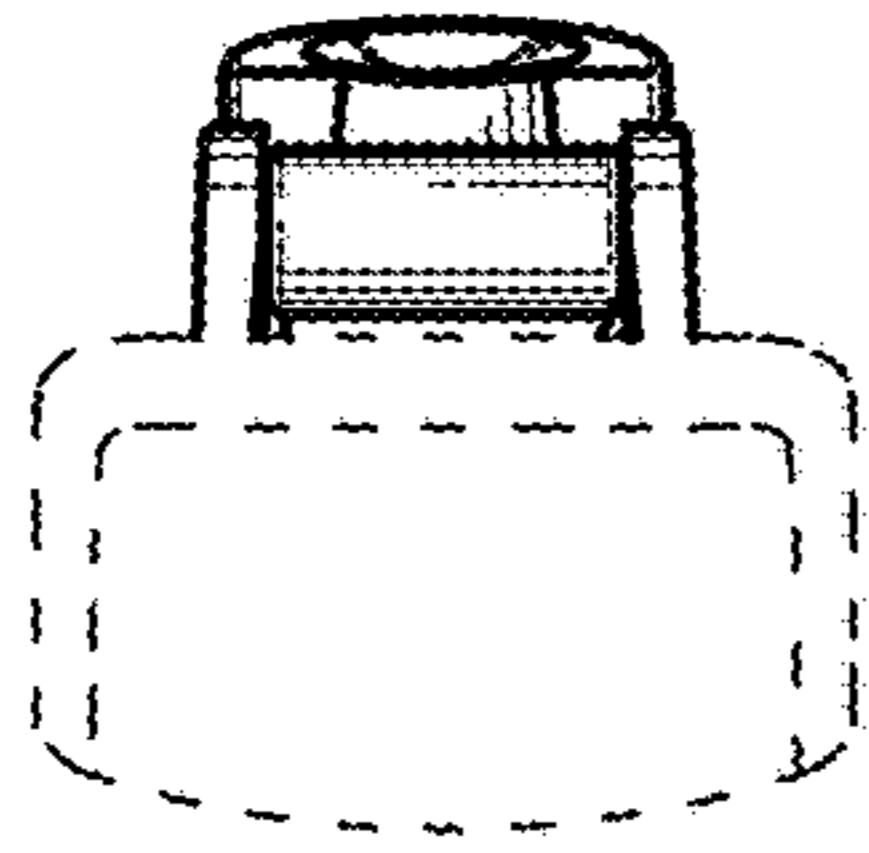


Fig. 2

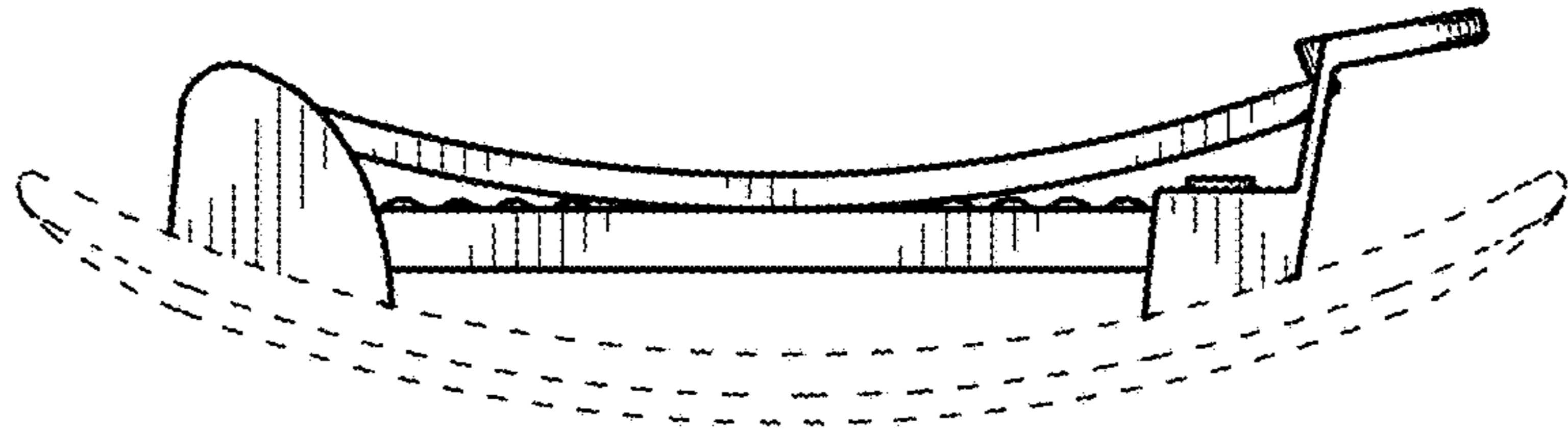


Fig. 1

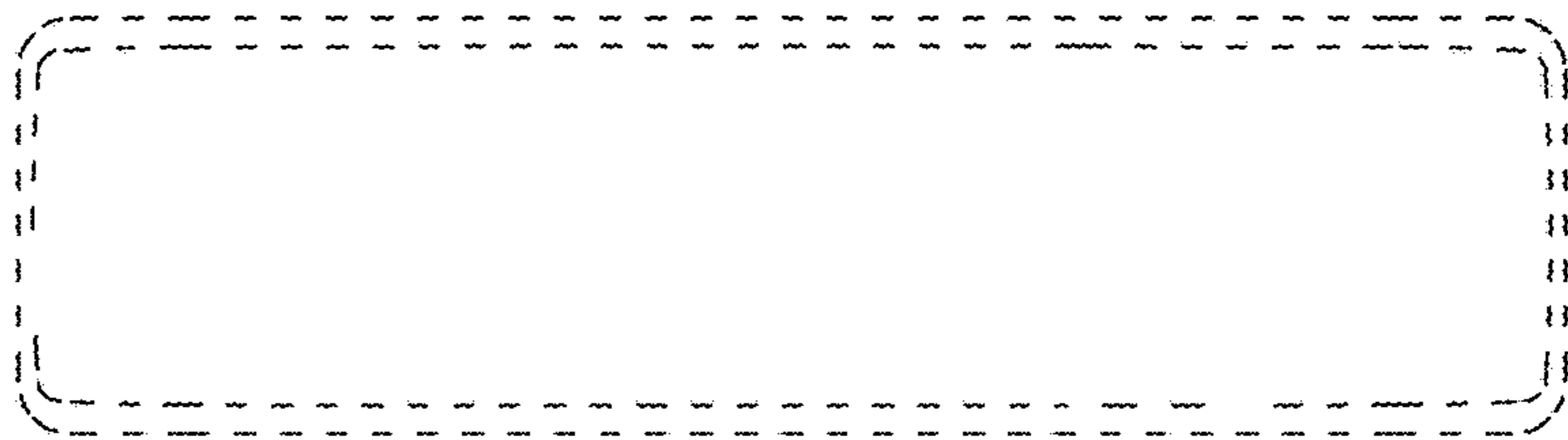


Fig. 3

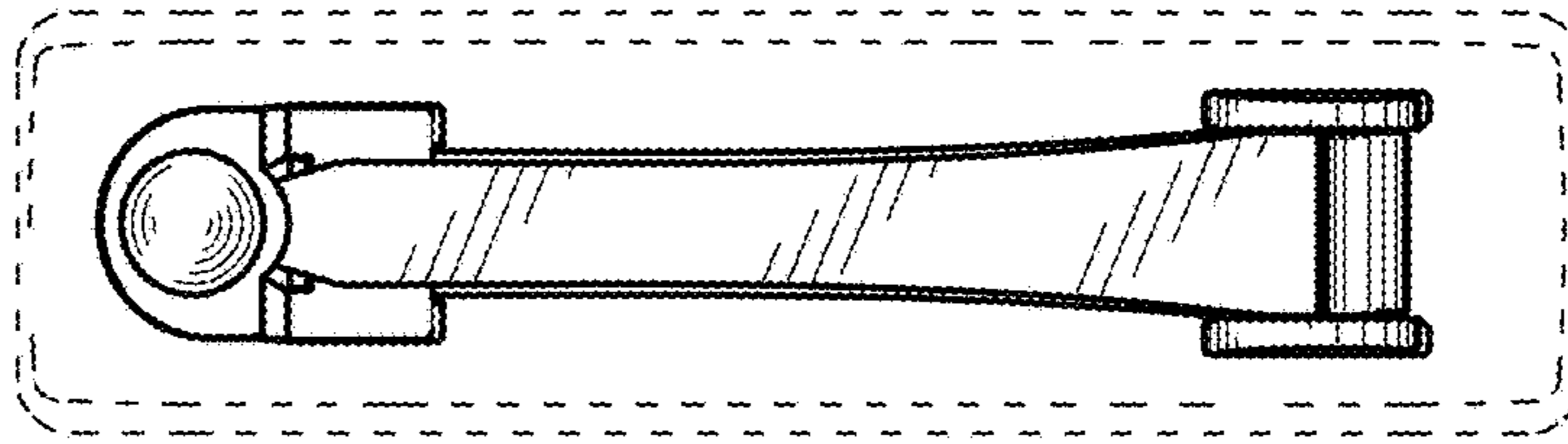


Fig. 4

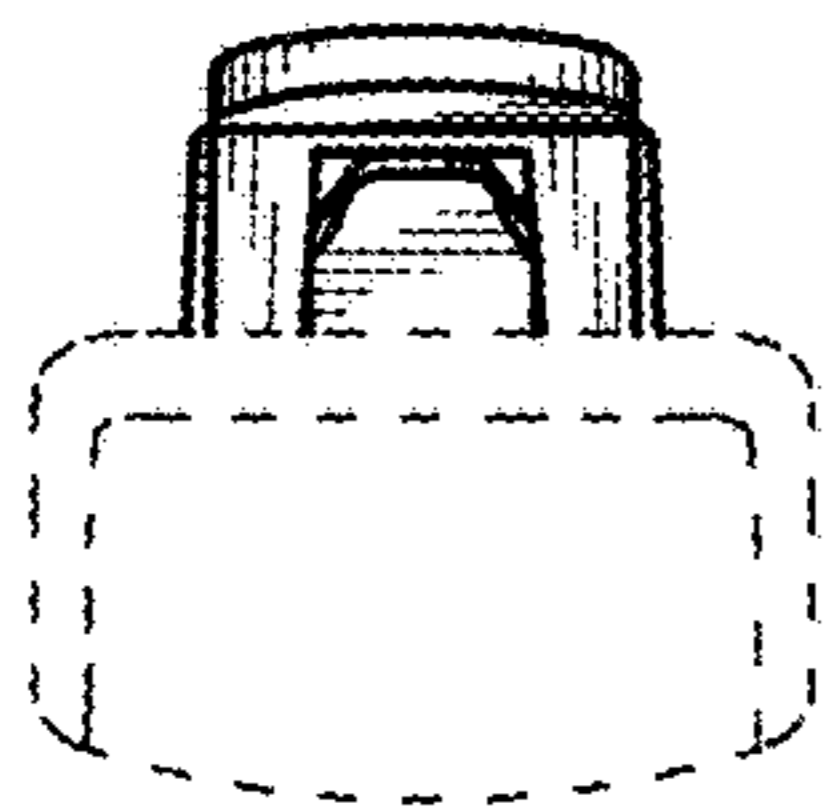


Fig. 5

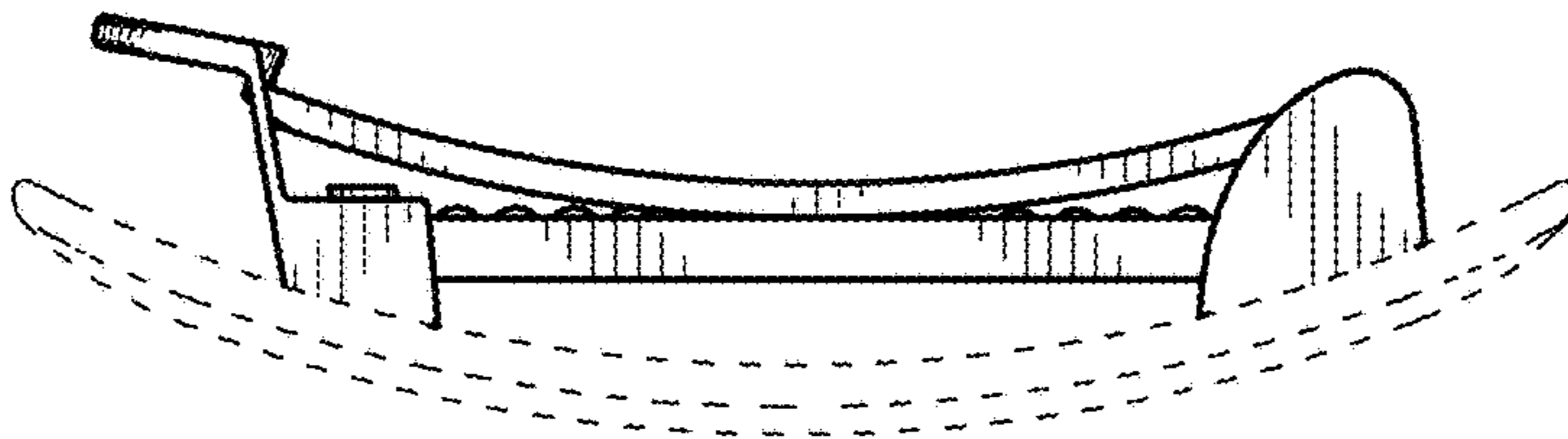


Fig. 6

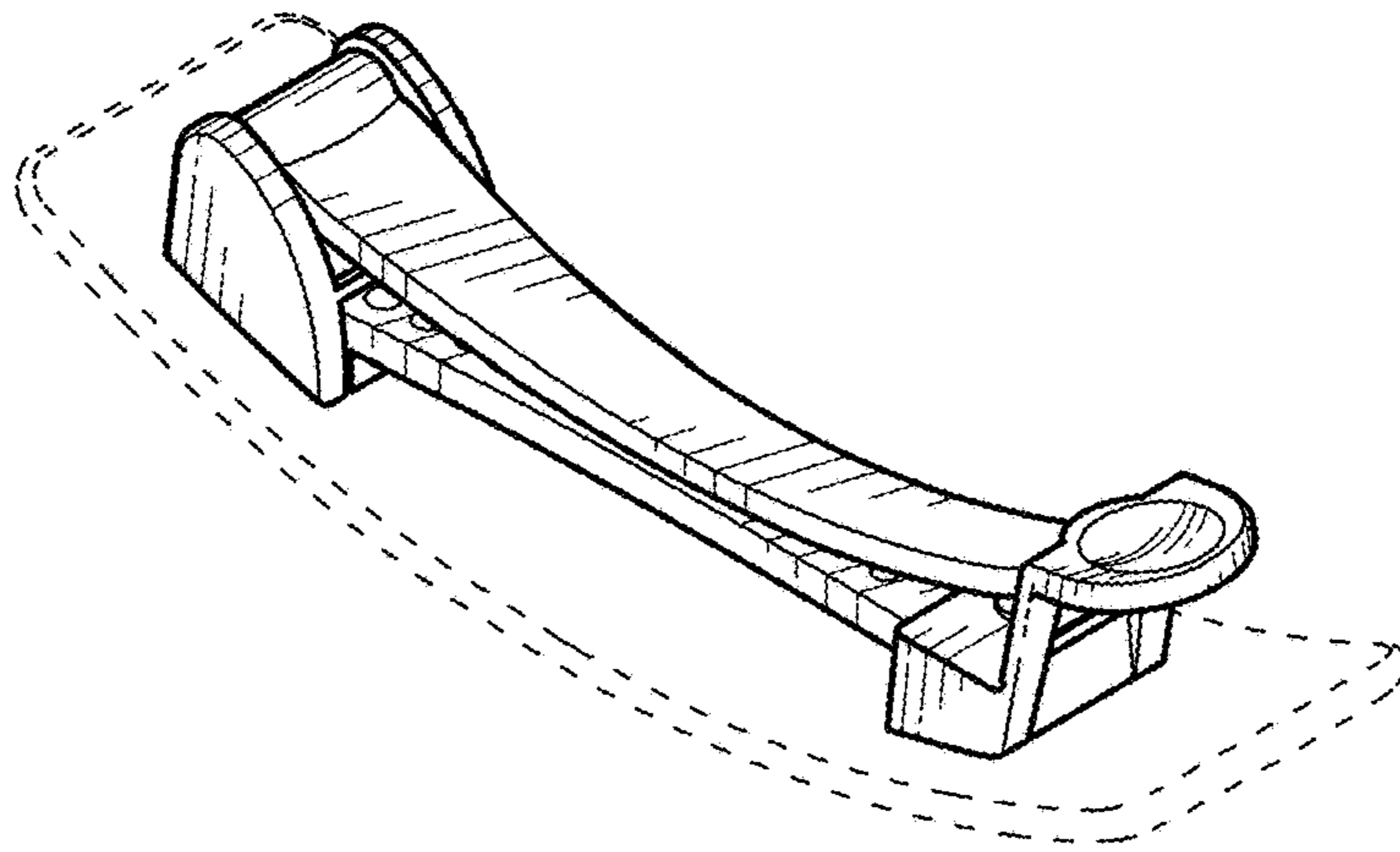


Fig. 7

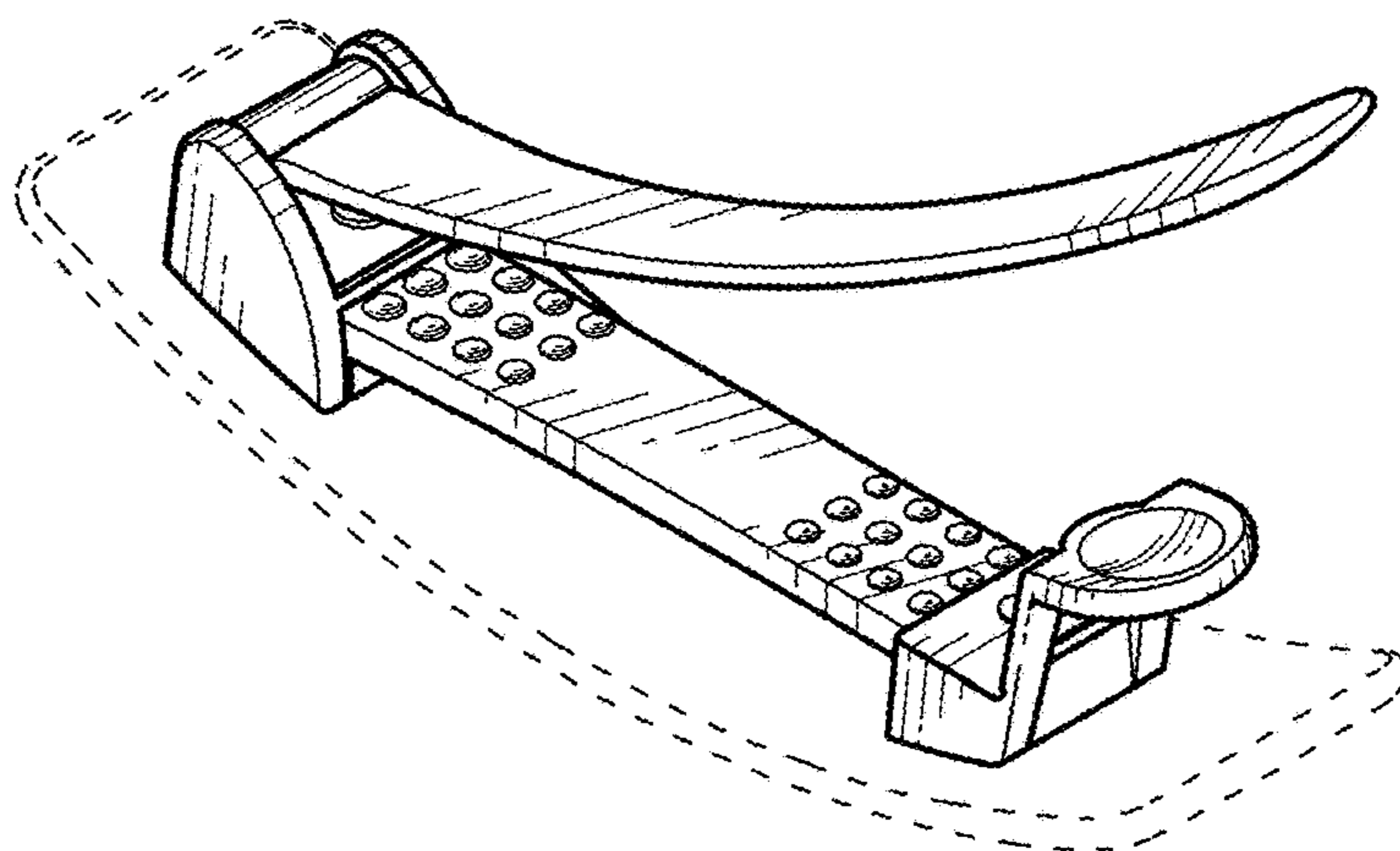


Fig. 8

UNITED STATES PATENT AND TRADEMARK OFFICE
CERTIFICATE OF CORRECTION

PATENT NO. : D836,838 S
APPLICATION NO. : 29/628648
DATED : December 25, 2018
INVENTOR(S) : Ka Chuen Sze

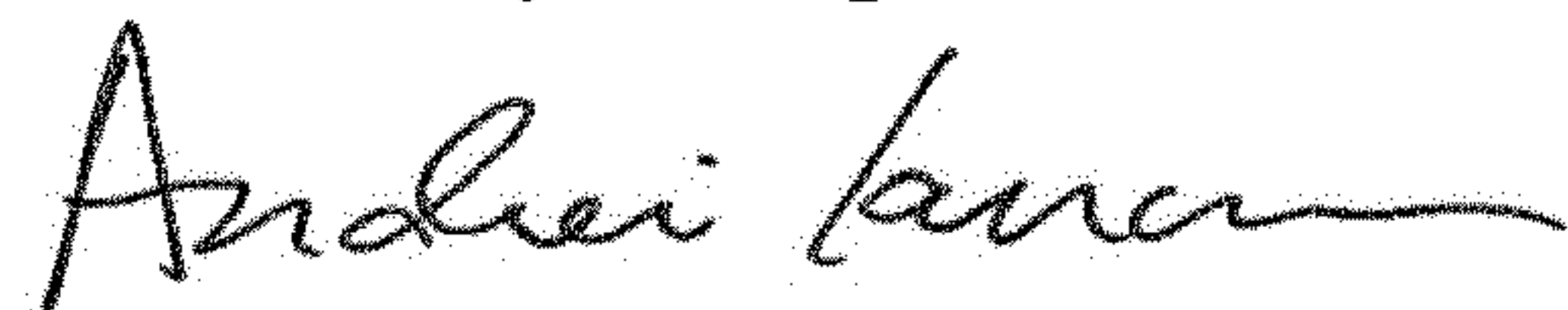
Page 1 of 1

It is certified that error appears in the above-identified patent and that said Letters Patent is hereby corrected as shown below:

On the Title Page

In the Assignee (73): Delete "TUNG HING PLASTIC MANUFACTURING LTD." and
insert -- TUNG HING PLASTIC MANUFACTORY LTD. --

Signed and Sealed this
Tenth Day of September, 2019



Andrei Iancu
Director of the United States Patent and Trademark Office