



US00D836837S

(12) **United States Design Patent**
Yan

(10) **Patent No.:** **US D836,837 S**

(45) **Date of Patent:** **** Dec. 25, 2018**

(54) **HAIRDRESSING DEVICE**

(71) Applicant: **Guangdong Roman Technology Co., Ltd.**, Dongguan (CN)

(72) Inventor: **Youchun Yan**, Dongguan (CN)

(73) Assignee: **Guangdong Roman Technology Co., Ltd.**, Dongguan (CN)

(**) Term: **15 Years**

(21) Appl. No.: **29/592,082**

(22) Filed: **Jan. 26, 2017**

(30) **Foreign Application Priority Data**

Jan. 6, 2017 (CN) 2017 3 0004626

(51) **LOC (11) Cl.** **28-03**

(52) **U.S. Cl.**
USPC **D28/35**

(58) **Field of Classification Search**
USPC D28/10, 35-38; 132/211, 223, 226-229, 132/237, 245, 254-255, 269, 126, 132/137-140, 213.1; 219/222; 34/96-97
CPC ... A45D 1/00; A45D 1/02; A45D 1/04; A45D 2001/002; A45D 2001/004; A45D 2001/008; A45D 1/28; A45D 7/02; A45D 1/06; A45D 2/002; A45D 1/18; A45D 2/42; A45D 2/44; A45D 24/02; A45D 20/52; A46B 15/0002; A46B 2200/104
See application file for complete search history.

(56) **References Cited**

U.S. PATENT DOCUMENTS

D643,974 S * 8/2011 Renault D28/35
D654,621 S * 2/2012 Grienay D28/35
8,220,100 B2 * 7/2012 Diamond A46B 5/0012
132/132
9,901,155 B2 * 2/2018 Nuzzo A45D 2/002

D816,899 S * 5/2018 Duan D28/35
D824,173 S * 7/2018 Richmond D4/100
D826,567 S * 8/2018 Yan D4/100
2005/0076930 A1 * 4/2005 Yuen A45D 2/002
132/132
2006/0108344 A1 * 5/2006 Kim A45D 1/04
219/225
2006/0272669 A1 * 12/2006 Imai A45D 1/02
132/245
2011/0220141 A1 * 9/2011 Chan A45D 1/04
132/229
2014/0166038 A1 * 6/2014 Leung A45D 1/04
132/221
2015/0289620 A1 * 10/2015 Nuzzo A45D 2/002
132/211
2017/0112254 A1 * 4/2017 Fereyre A45D 19/16
2017/0135457 A1 * 5/2017 Ngo A45D 1/04

(Continued)

FOREIGN PATENT DOCUMENTS

CN 003528207-0001 * 12/2016
CN 303972433 * 12/2016

Primary Examiner — Shannon W Morgan

Assistant Examiner — Altaira J Swangin

(74) *Attorney, Agent, or Firm* — Wang Law Firm, Inc.

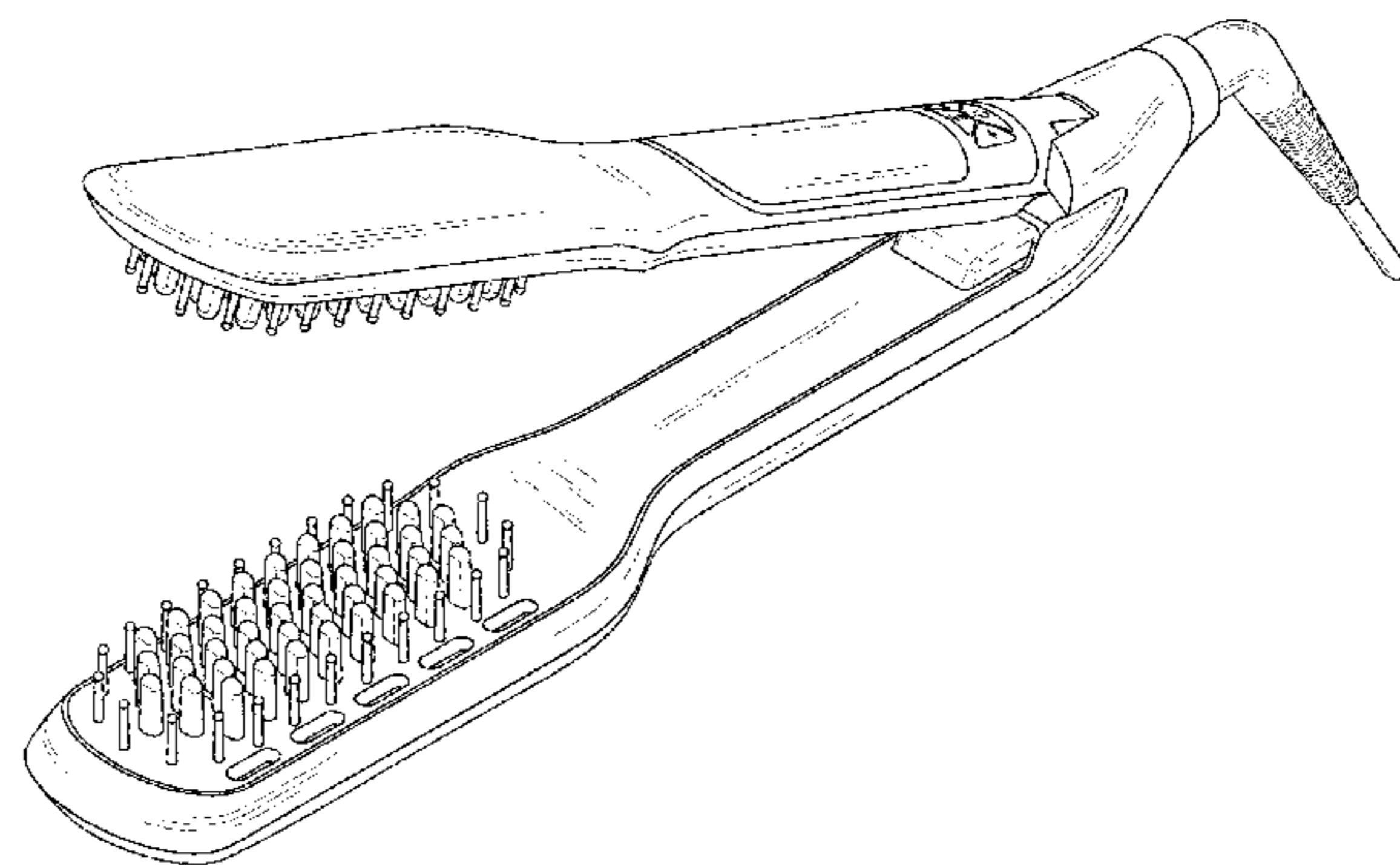
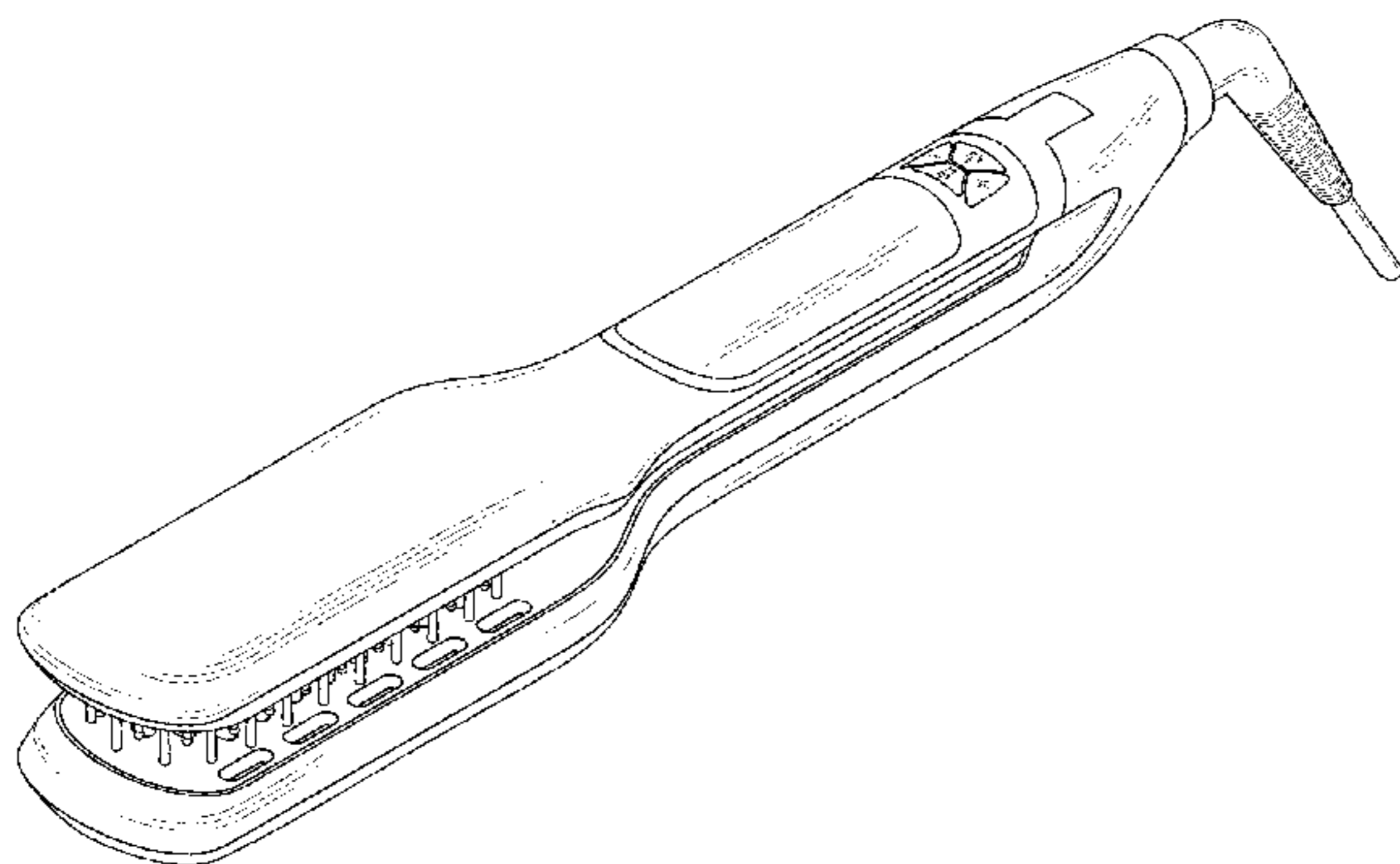
(57) **CLAIM**

The ornamental design for a hairdressing device, as shown.

DESCRIPTION

FIG. 1 is a perspective view of the hairdressing device showing my new design;
FIG. 2 is a front elevation view thereof;
FIG. 3 is a rear elevation view thereof;
FIG. 4 is left side view thereof;
FIG. 5 is a top plan view thereof;
FIG. 6 is a bottom plan view thereof; and,
FIG. 7 is a perspective view of my design in an open configuration.

1 Claim, 7 Drawing Sheets



(56)

References Cited

U.S. PATENT DOCUMENTS

2018/0153294 A1* 6/2018 Thomas A46B 9/023
2018/0213909 A1* 8/2018 Fereyre A45D 1/04
2018/0213913 A1* 8/2018 Fereyre A45D 1/04

* cited by examiner

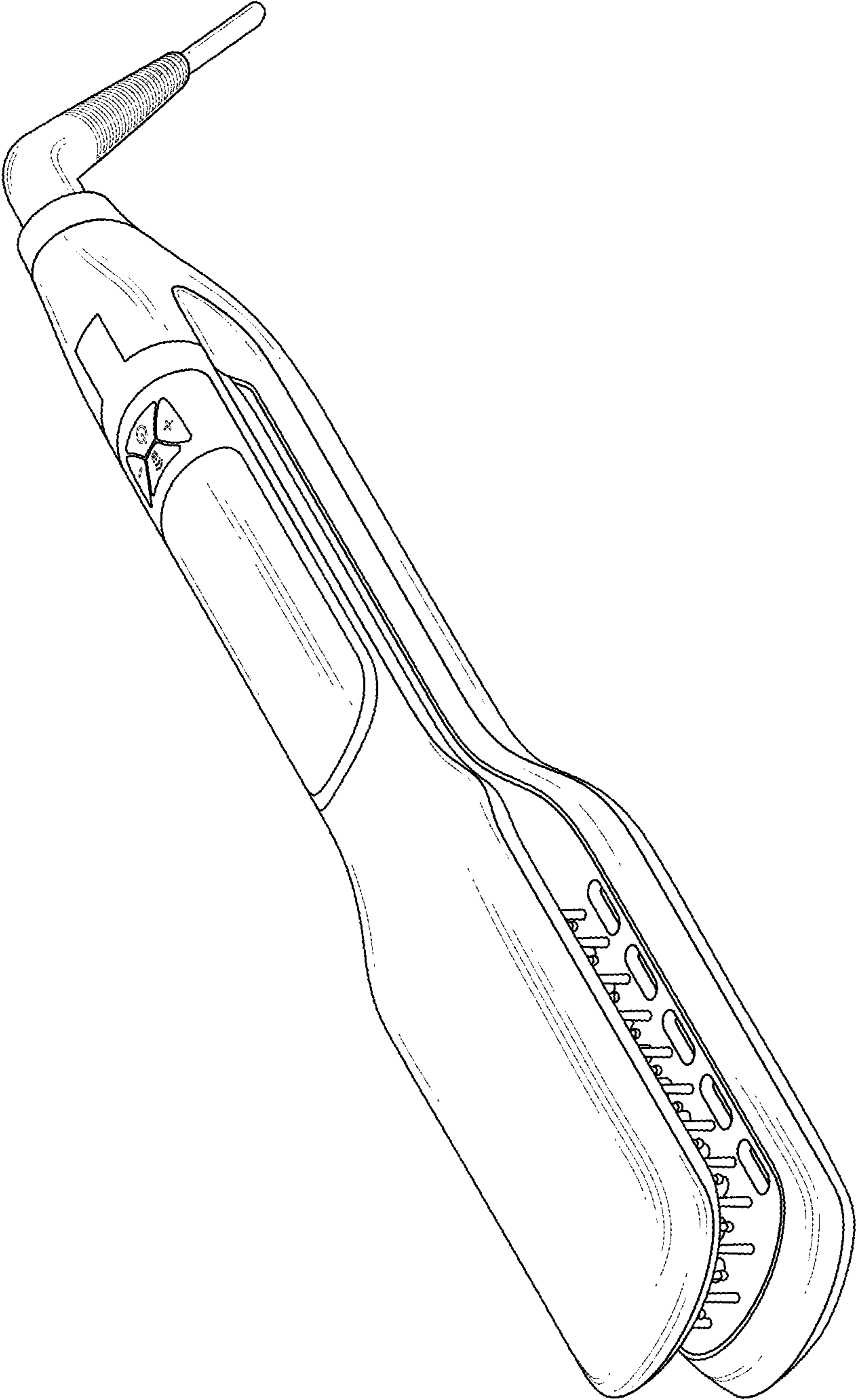


FIG.1

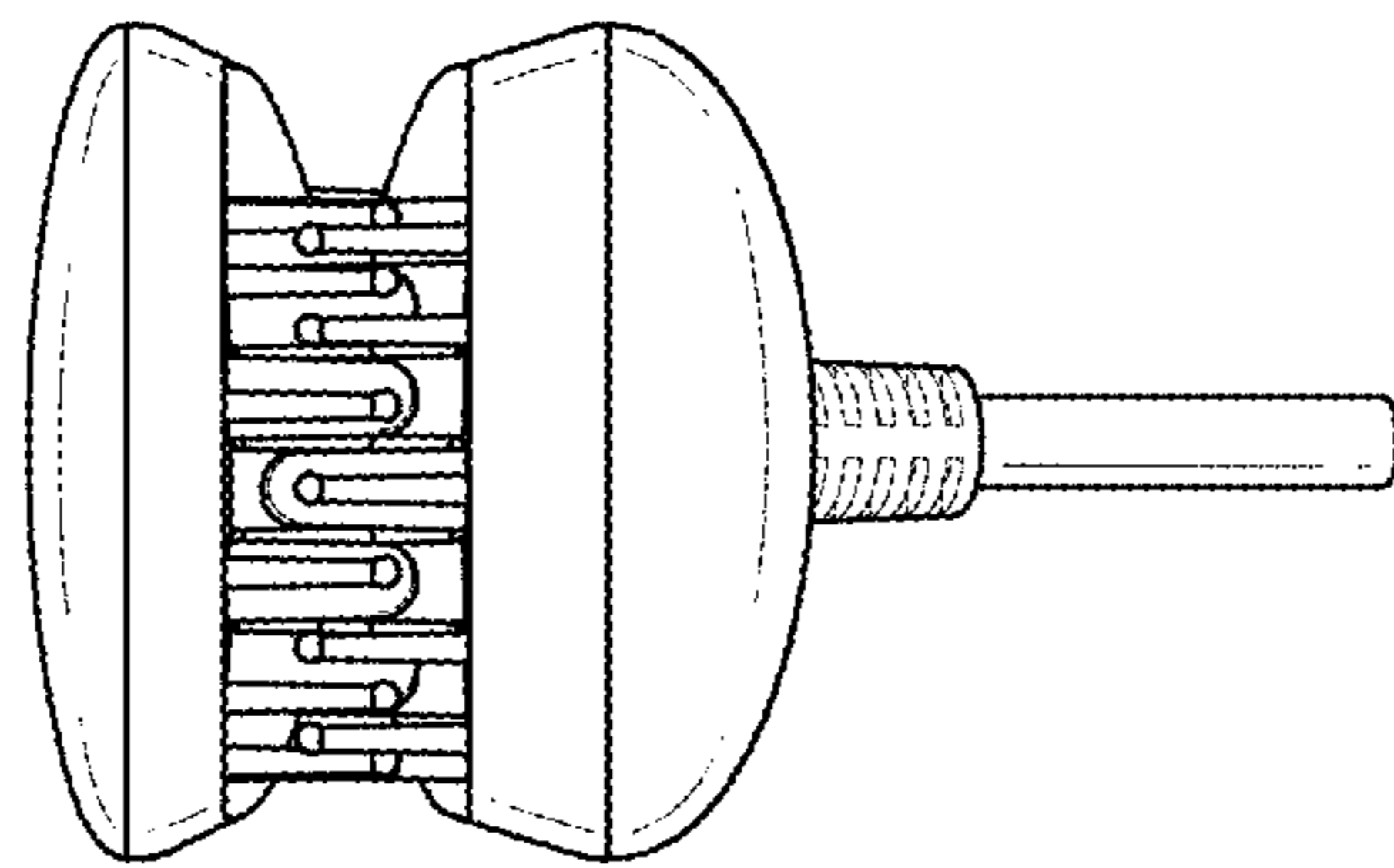


FIG.2

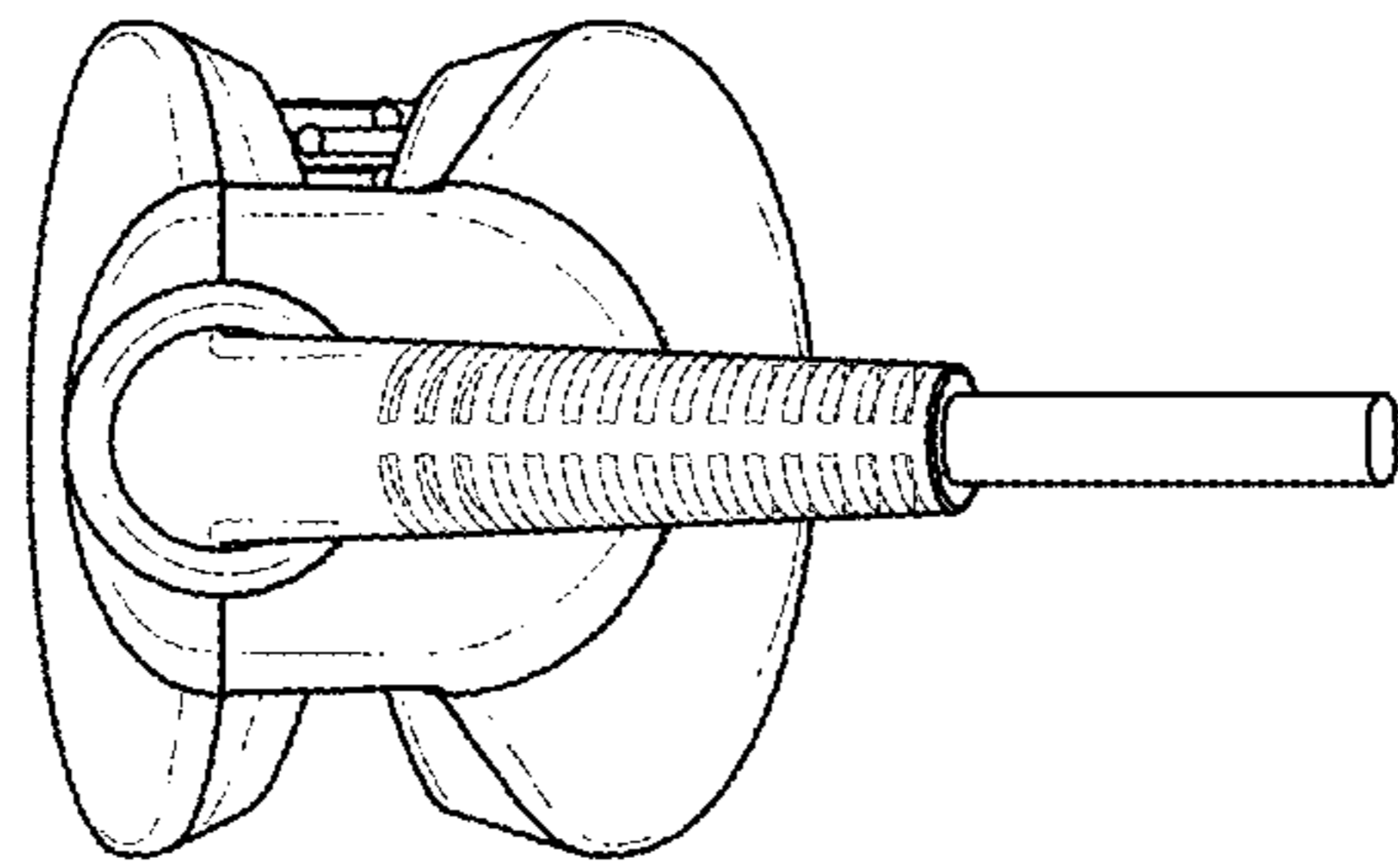


FIG.3

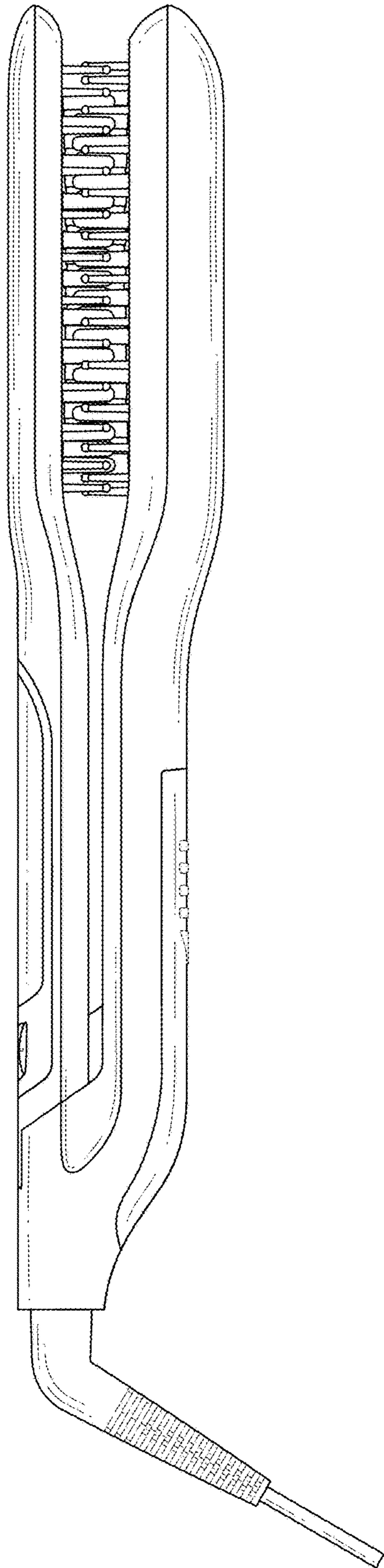


FIG.4

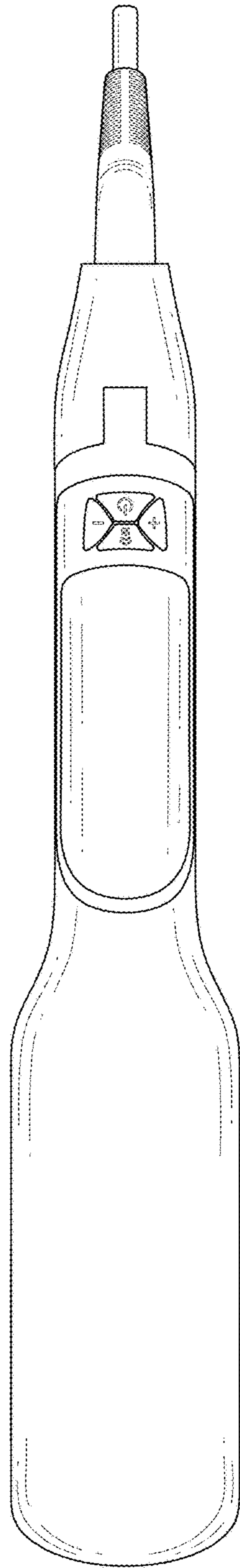


FIG. 5

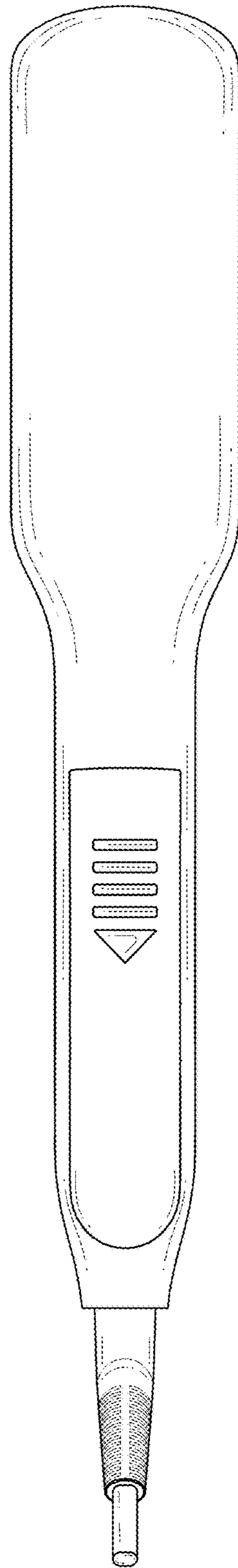


FIG.6

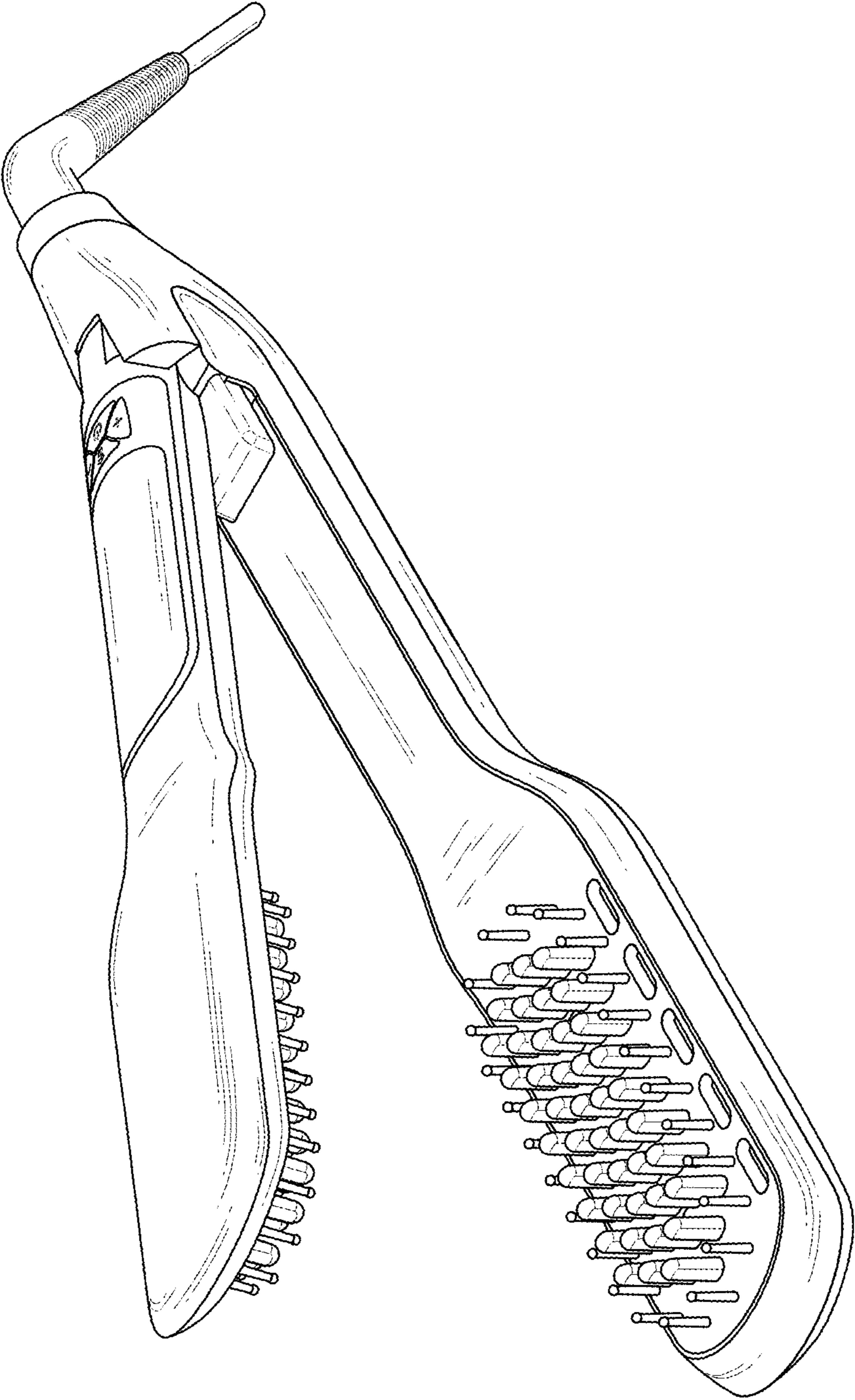


FIG. 7