



US00D836836S

(12) **United States Design Patent** (10) **Patent No.:** **US D836,836 S**
Parker et al. (45) **Date of Patent:** **** Dec. 25, 2018**

(54) **HAIR DRYER**

7,086,176 B2 * 8/2006 Lin A45D 20/12
34/97

(71) Applicants: **Joann Parker**, El Paso, TX (US); **Gary Koenemann**, El Paso, TX (US); **Luke Hillebrecht**, Kent, OH (US); **Steve Paliobeis**, El Paso, TX (US); **Adrian Gonzalez**, El Paso, TX (US); **Mathieu Zastawny**, Jersey City, NJ (US); **Yoon Jung Heo**, Edgewater, NJ (US)

(Continued)

OTHER PUBLICATIONS

Revlon Salon 360 Surround Hair Dryer and Styler, posted Sep. 19, 2017 [online], retrieved Oct. 9, 2018, retrieved from internet, <<https://www.amazon.com/Revlon-Salon-Surround-Dryer-Styler/dp/B0751JD1KW>>.*

(Continued)

Primary Examiner — Barbara Fox
Assistant Examiner — Messina L Smith

(72) Inventors: **Joann Parker**, El Paso, TX (US); **Gary Koenemann**, El Paso, TX (US); **Luke Hillebrecht**, Kent, OH (US); **Steve Paliobeis**, El Paso, TX (US); **Adrian Gonzalez**, El Paso, TX (US); **Mathieu Zastawny**, Jersey City, NJ (US); **Yoon Jung Heo**, Edgewater, NJ (US)

(57) **CLAIM**

The ornamental design for a hair dryer, as shown and described.

(73) Assignee: **Helen of Troy Limited**, St. Michael (BB)

DESCRIPTION

(**) Term: **15 Years**

(21) Appl. No.: **29/616,899**

(22) Filed: **Sep. 10, 2017**

(51) **LOC (11) Cl.** **28-03**

(52) **U.S. Cl.**
USPC **D28/13**

(58) **Field of Classification Search**
USPC D28/10, 12, 13, 14, 15, 16, 17, 18, 20,
D28/81, 82, 83, 84

CPC A45D 20/00; A45D 20/48; A45D 20/50;
A45D 20/52; A45D 20/525; A45D 20/04;
A45D 20/08; A45D 20/10; A45D 20/12;
A45D 20/122; A45D 44/08; A45D
2019/005; A45D 2019/0058; A45D 19/04;

(Continued)

FIG. 1 is a perspective view of a hair dryer showing my new design.

FIG. 2 is a left side view thereof;

FIG. 3 is a right side view thereof;

FIG. 4 is a front elevation view thereof;

FIG. 5 is a rear elevation view thereof;

FIG. 6 is a top view thereof;

FIG. 7 is a bottom view thereof;

FIG. 8 is a perspective view of the hair dryer with the exterior housing of the barrel portion in a ninety-degree rotated position;

FIG. 9 is a left side view thereof;

FIG. 10 is a right side view thereof;

FIG. 11 is a front elevation view thereof;

FIG. 12 is a rear elevation view thereof;

FIG. 13 is a top view thereof; and,

FIG. 14 is a bottom view thereof.

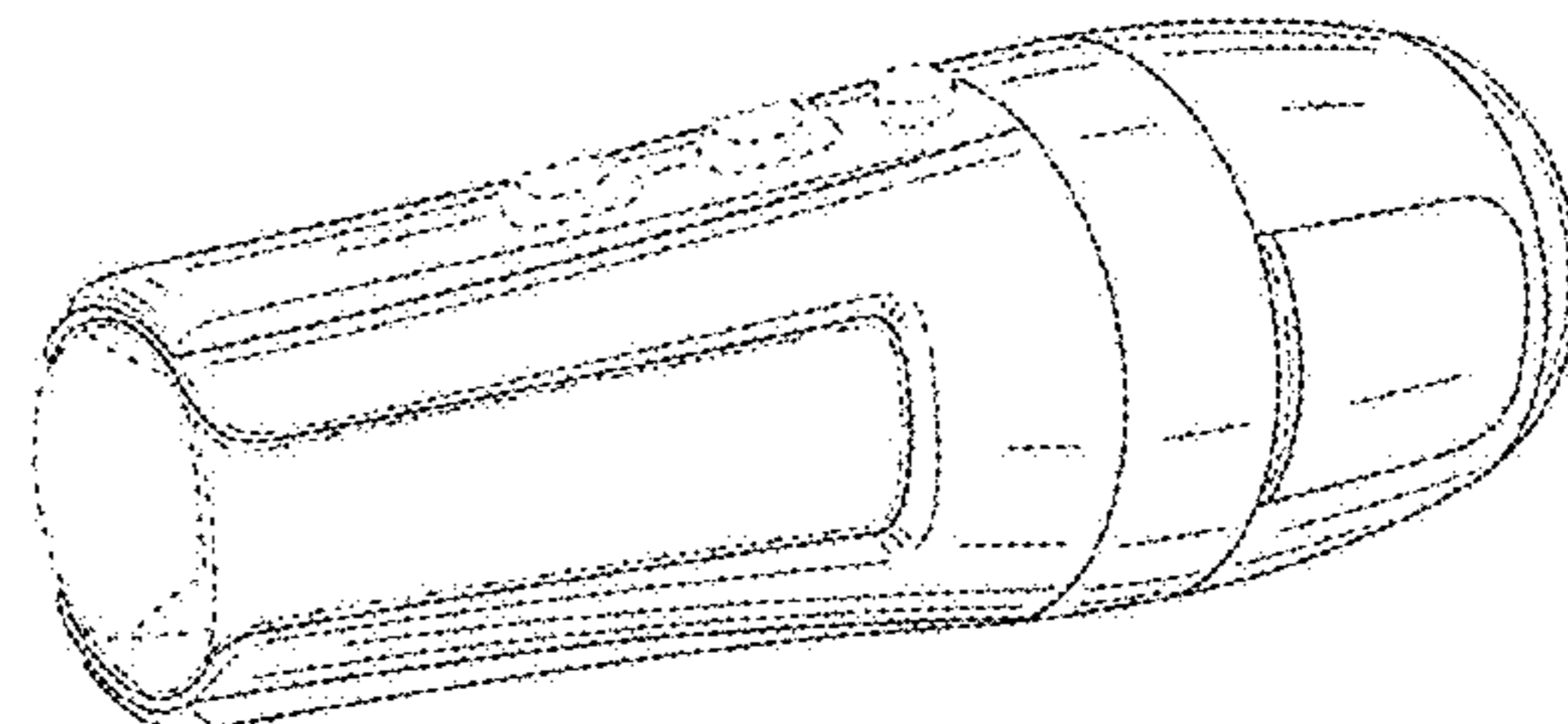
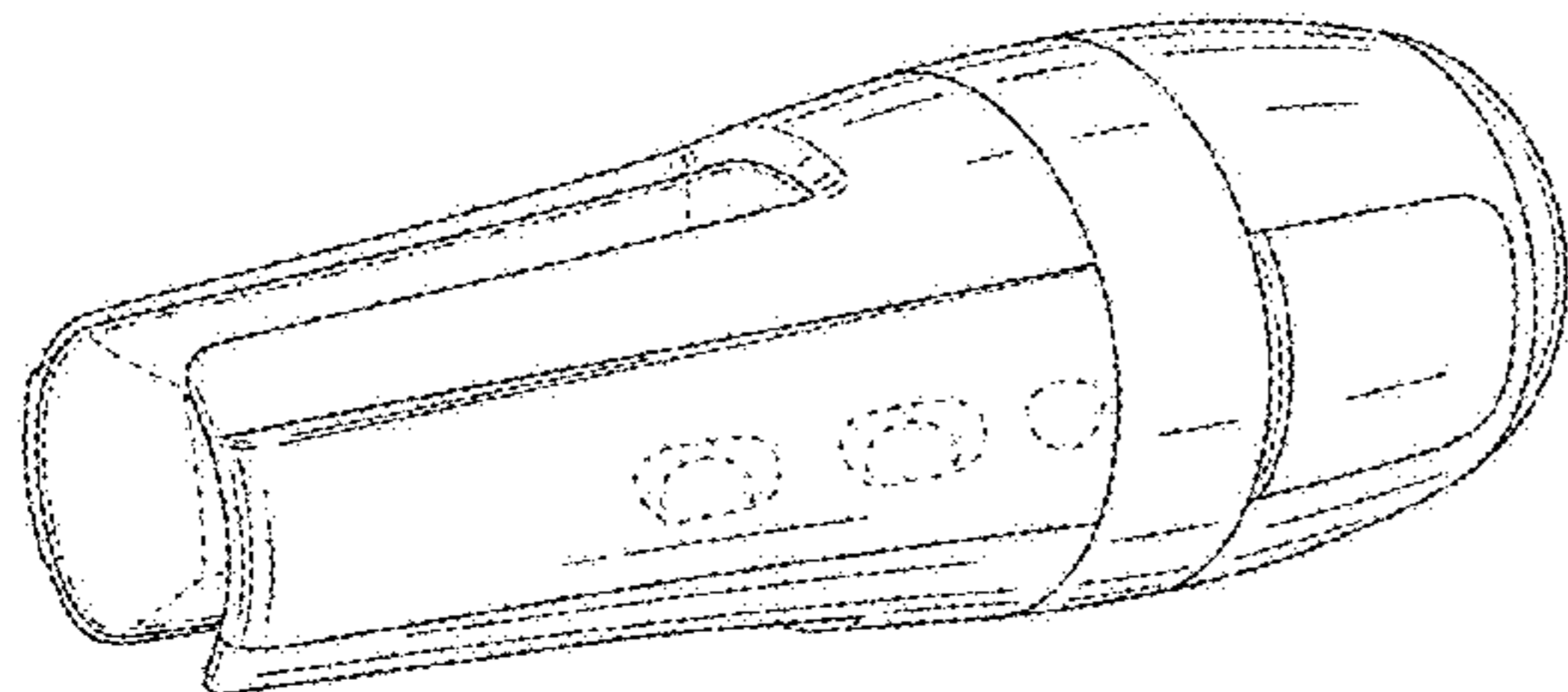
The broken lines in the drawings depict portions of the hair dryer that form no part of the claimed design.

(56) **References Cited**

U.S. PATENT DOCUMENTS

D199,046 S * 9/1964 Felske D12/194

1 Claim, 14 Drawing Sheets



(58) **Field of Classification Search**

CPC A45D 19/06; A45D 19/08; A45D 19/12;
A45D 40/00; A45D 40/18; A45D
40/0087; A45D 40/222; A45D 40/0093;
A45D 33/00; A45D 33/006; A45D
33/025; A45D 33/008; A45D 33/003;
A45D 33/18; A45D 2040/225; A45D
2034/007

See application file for complete search history.

(56) **References Cited**

U.S. PATENT DOCUMENTS

D727,568 S * 4/2015 Francois D28/10
D764,912 S * 8/2016 Houyoux D28/73
D808,587 S * 1/2018 Carello D28/18
D829,378 S * 9/2018 Parker D28/13
2007/0062058 A1 * 3/2007 Perez, Jr. A45D 20/14
34/96
2015/0201730 A1 * 7/2015 Carlucci G10K 11/161
34/82
2018/0140070 A1 * 5/2018 Hillebrecht A45D 20/122

OTHER PUBLICATIONS

The New Revlon Salon 360 Surround™ Styler—Get Fast Salon Blowouts, posted Aug. 16, 2017 00:41 [online], retrieved Oct. 9, 2018, retrieved from internet, <<https://www.youtube.com/watch?v=dsswU9p0E0U>>.*

* cited by examiner

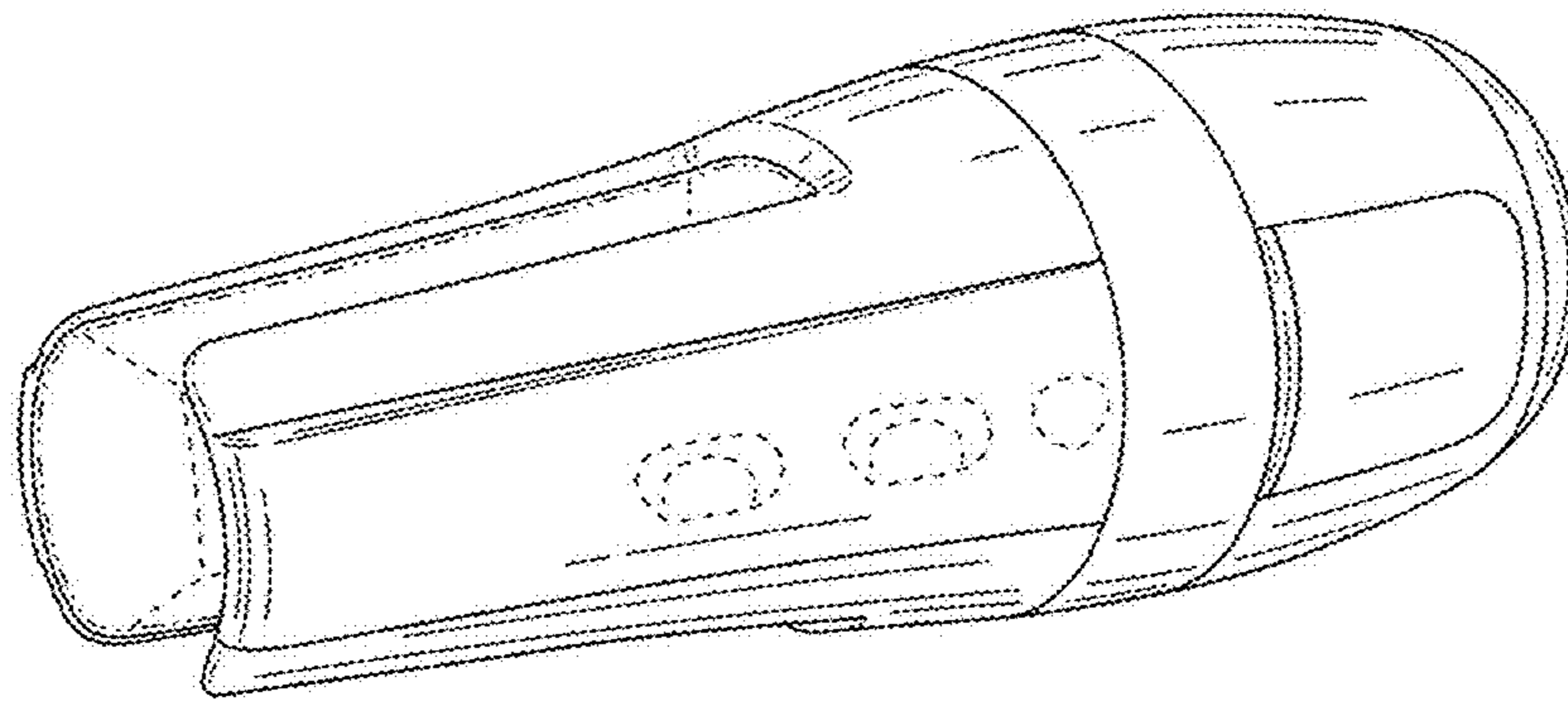


FIG. 1

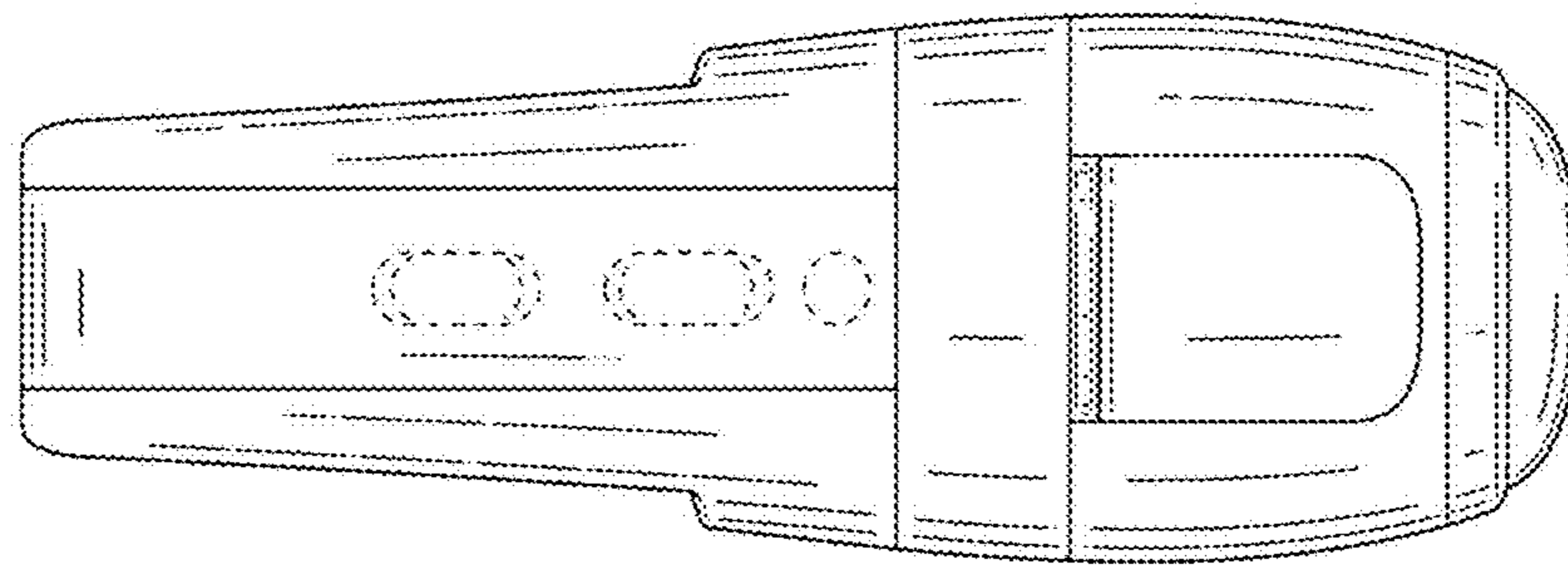


FIG. 2

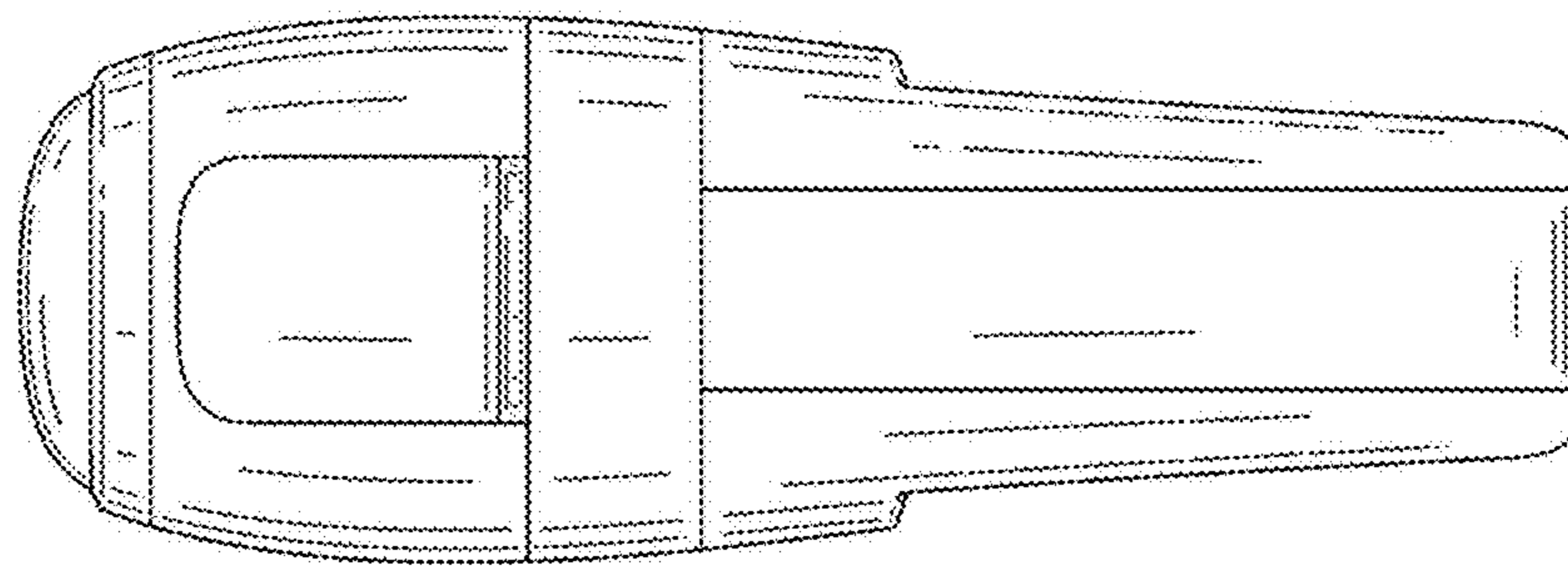


FIG. 3

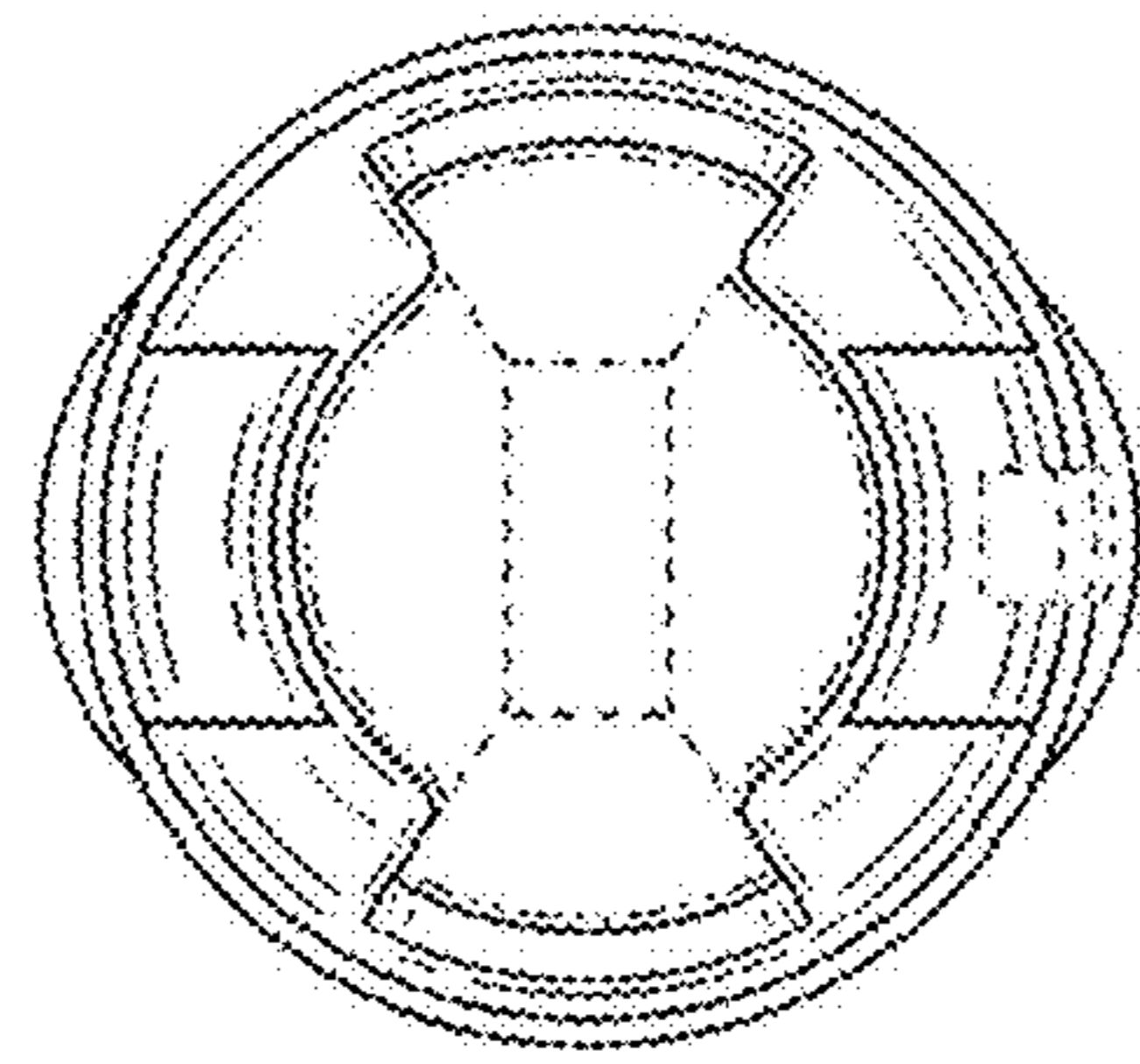


FIG. 4

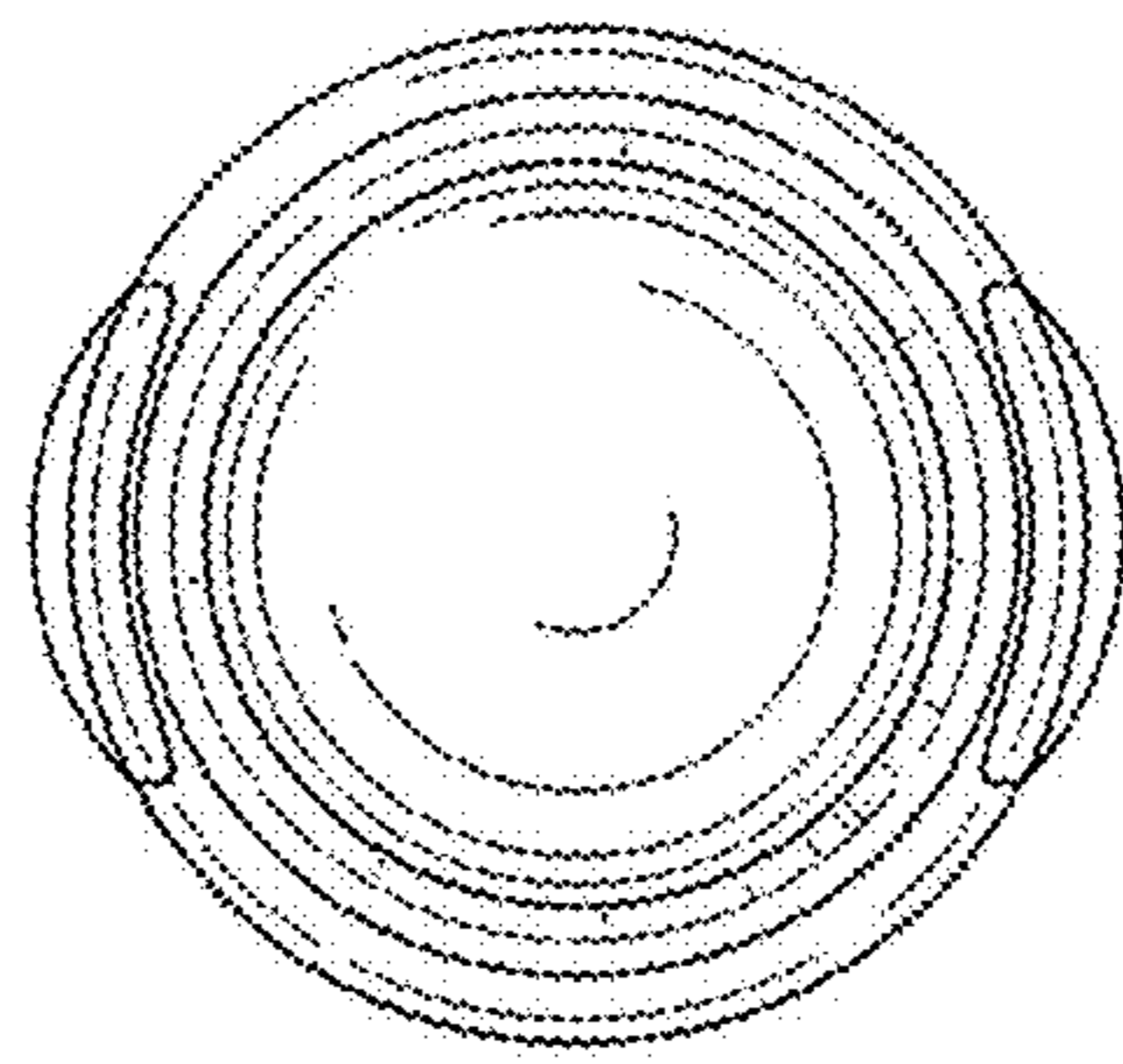


FIG. 5

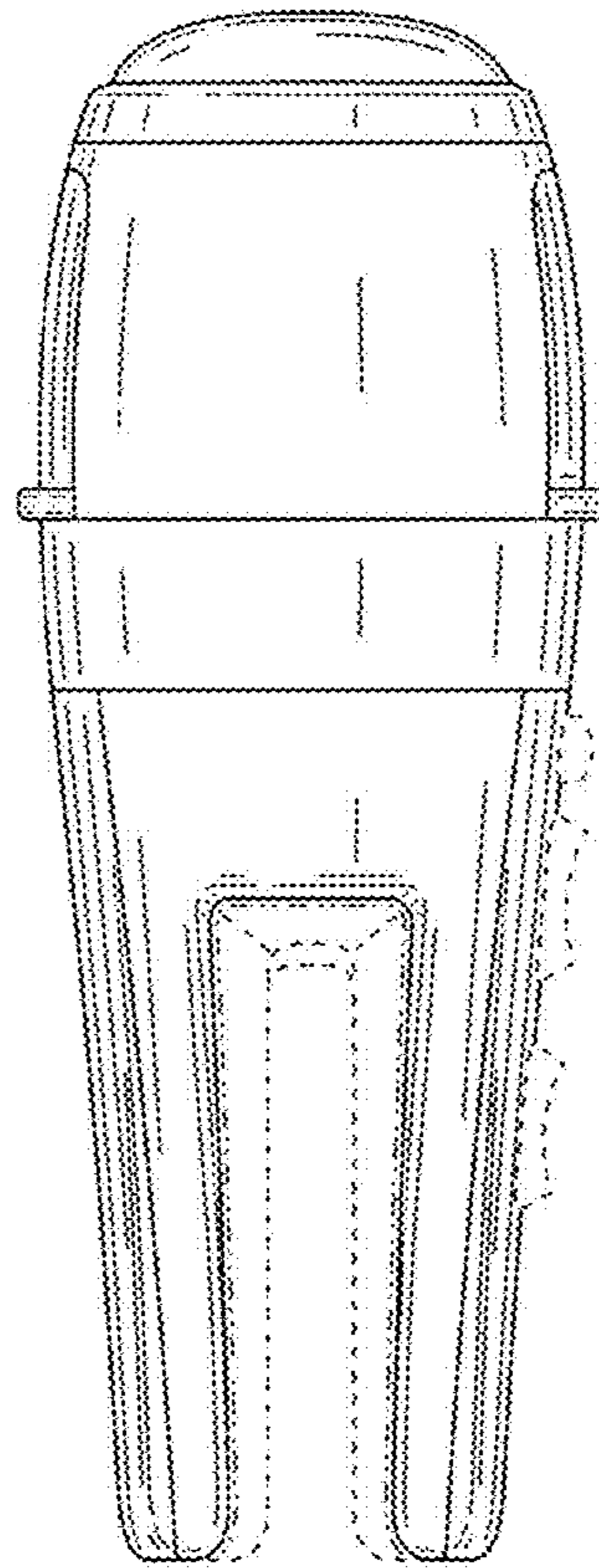


FIG. 6

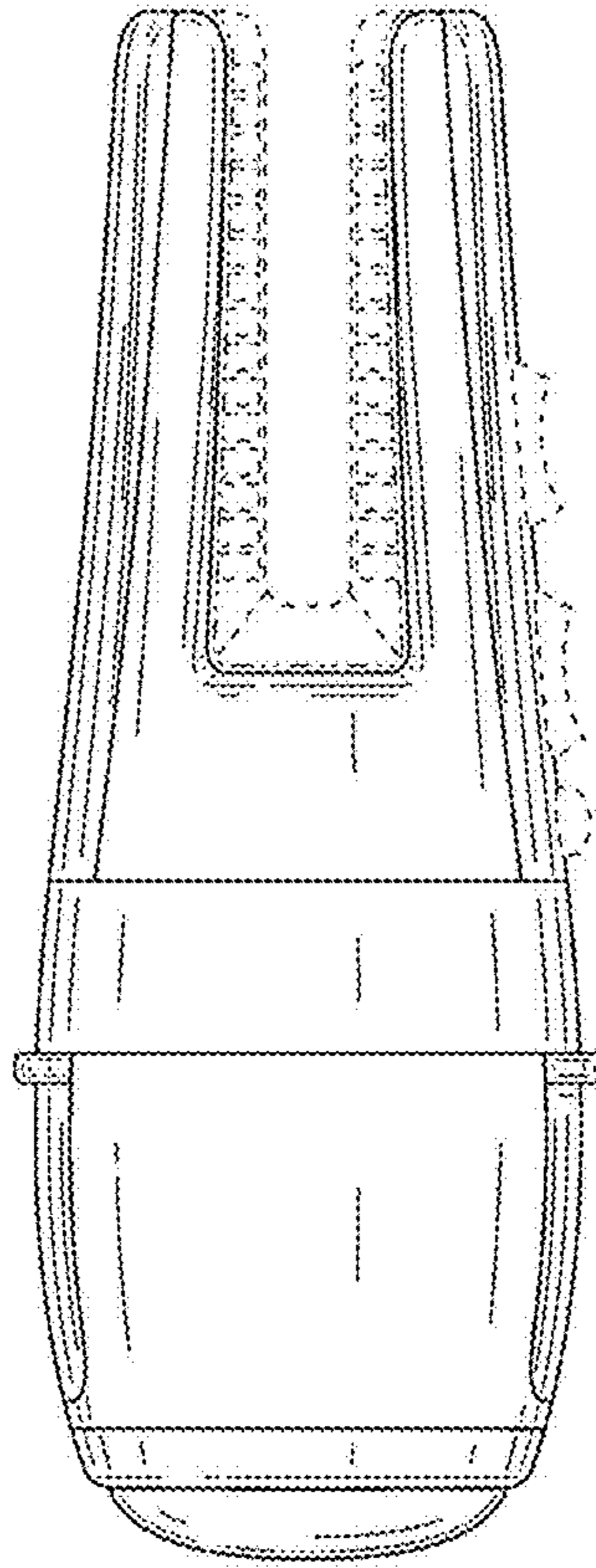


FIG. 7

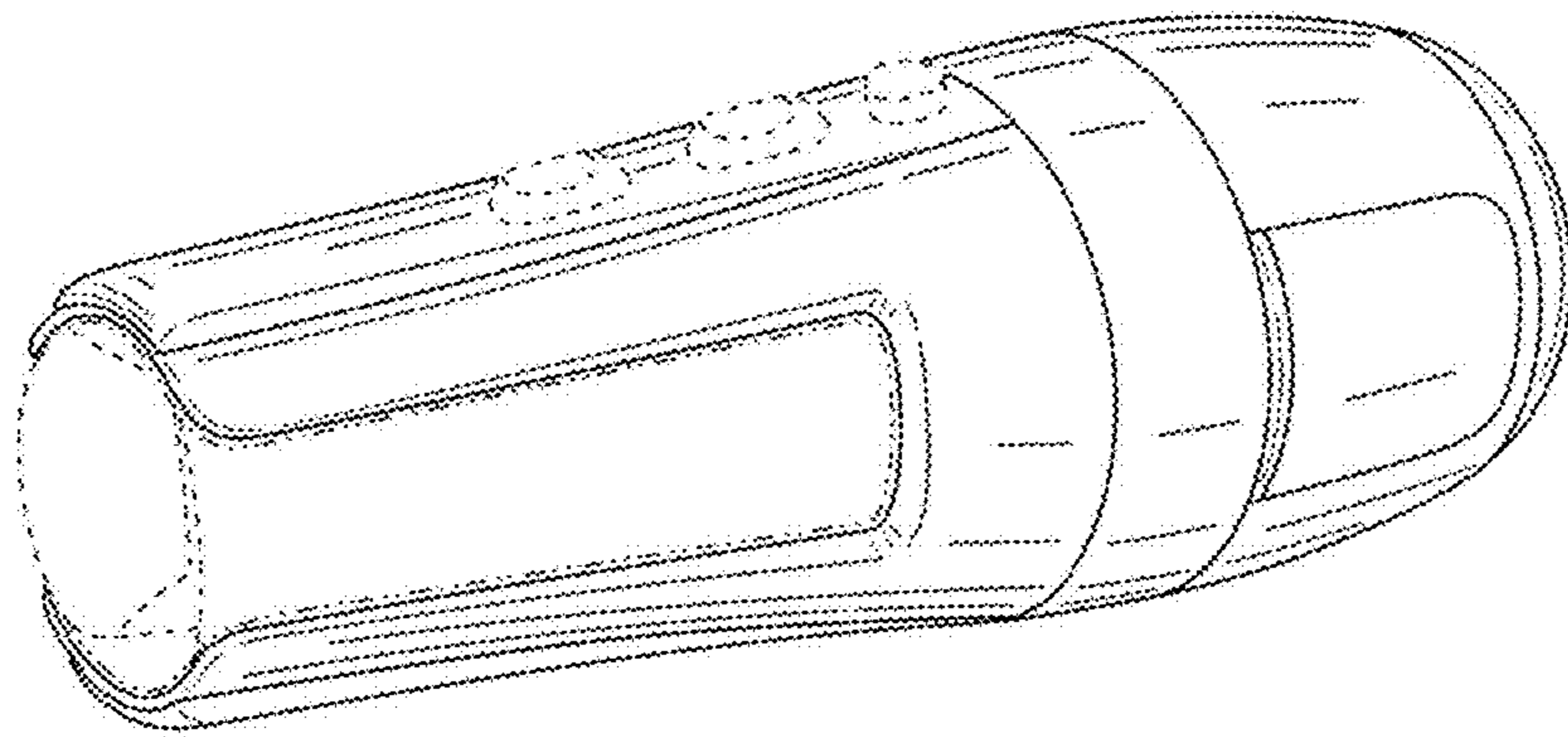


FIG. 8

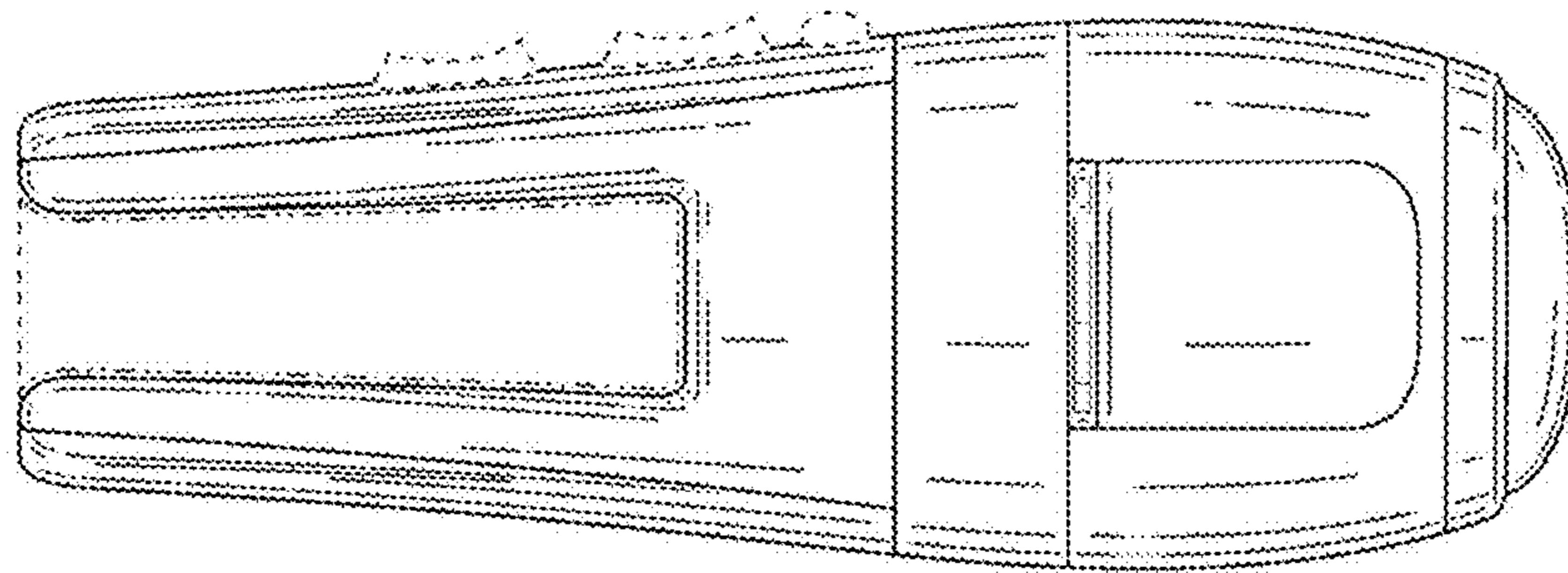


FIG. 9

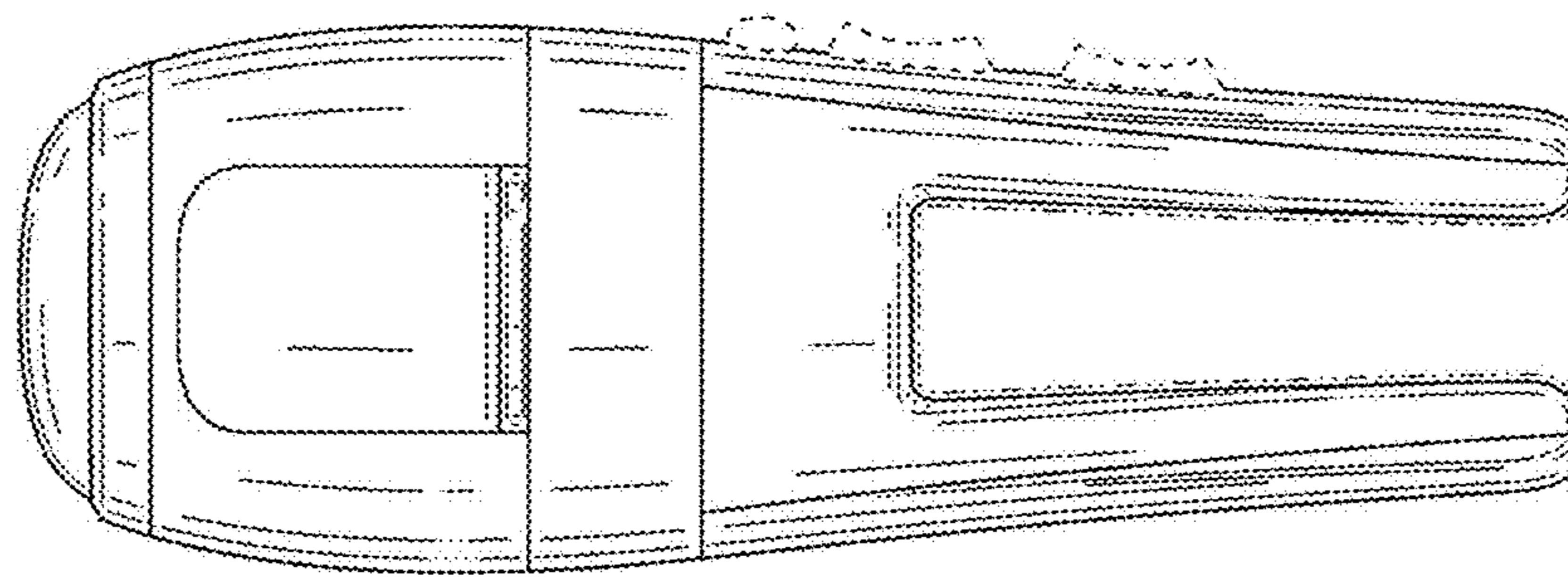


FIG. 10

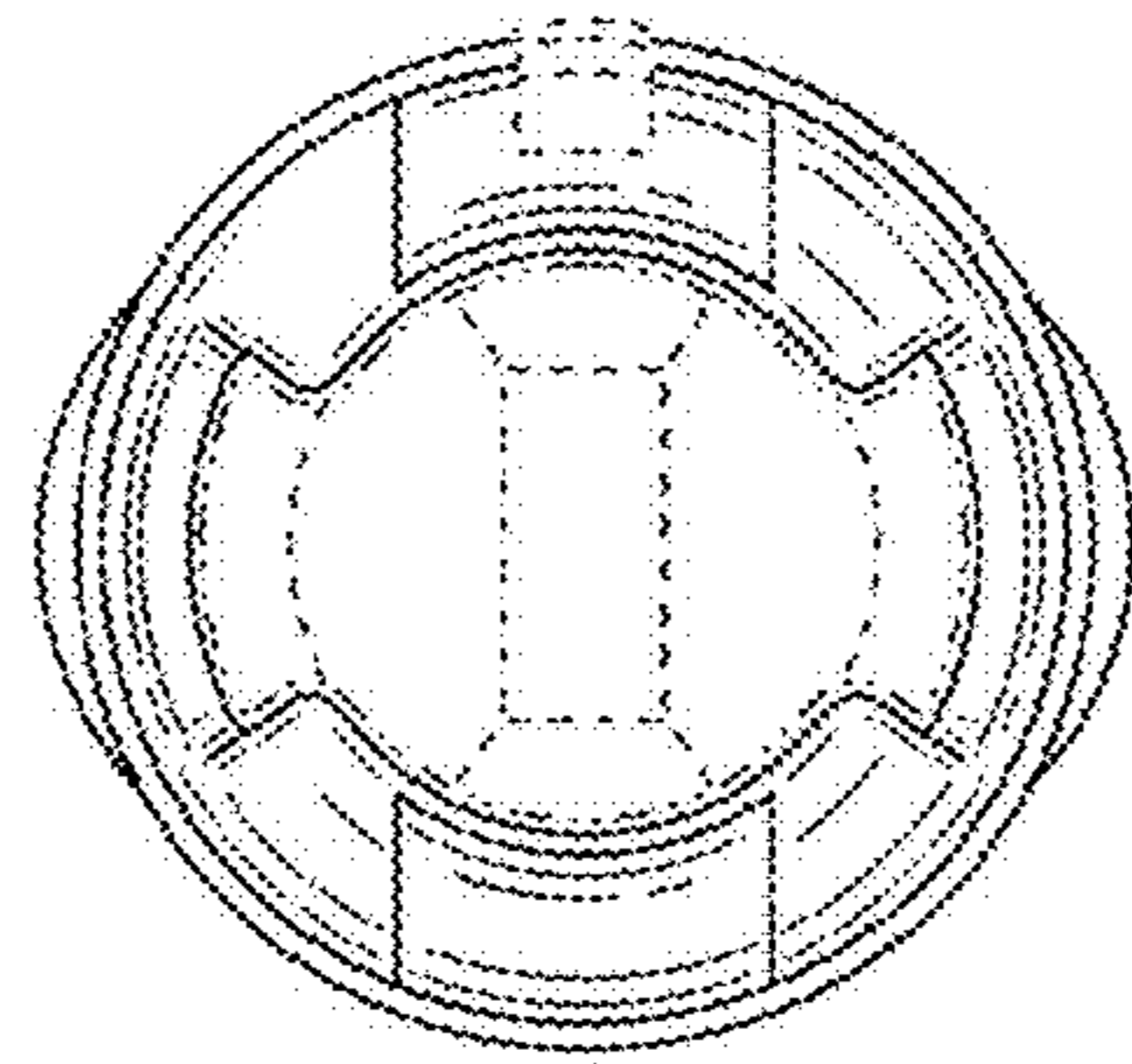


FIG. 11

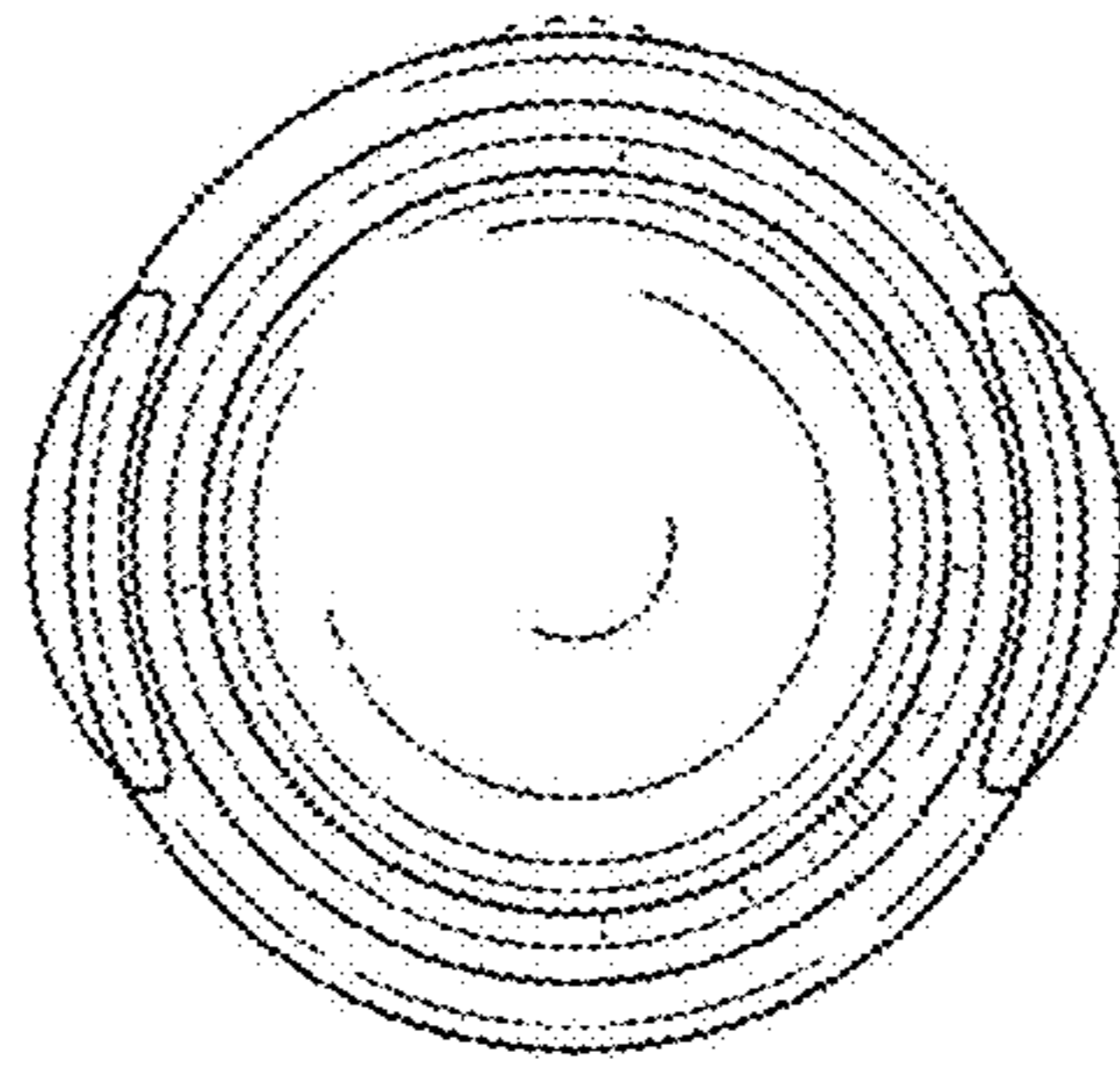


FIG. 12

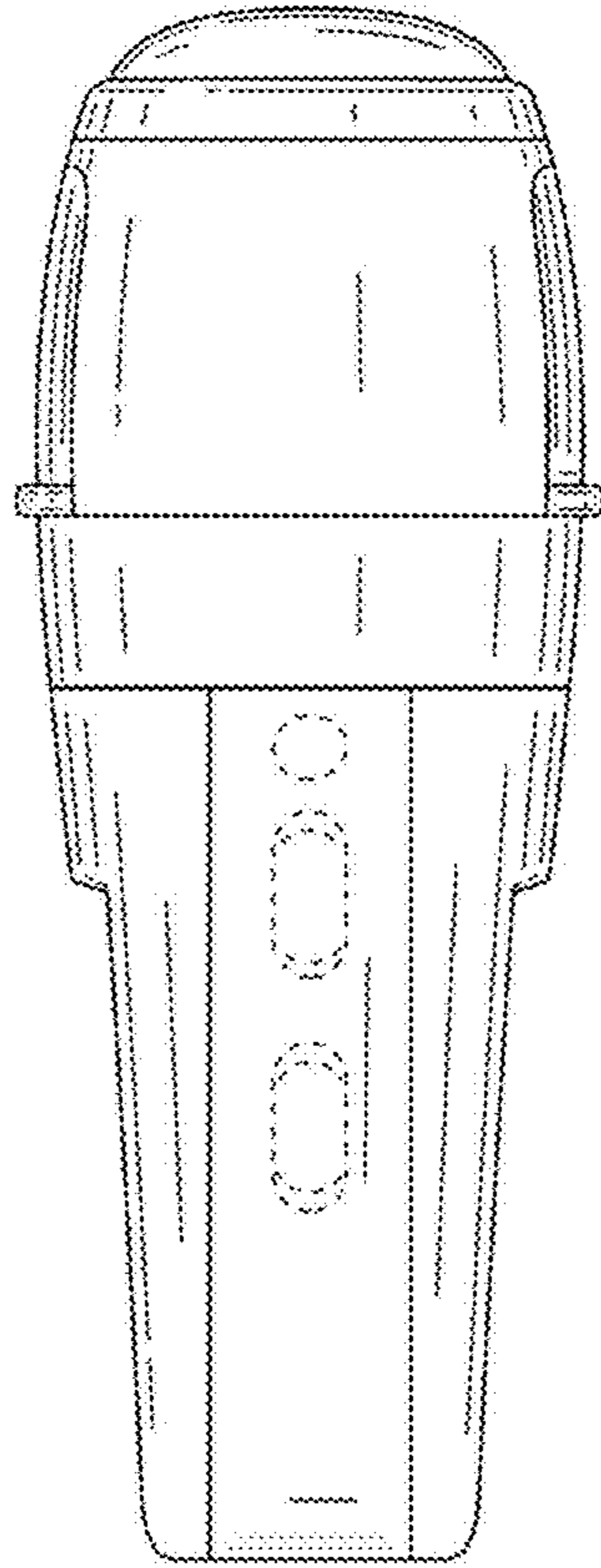


FIG. 13

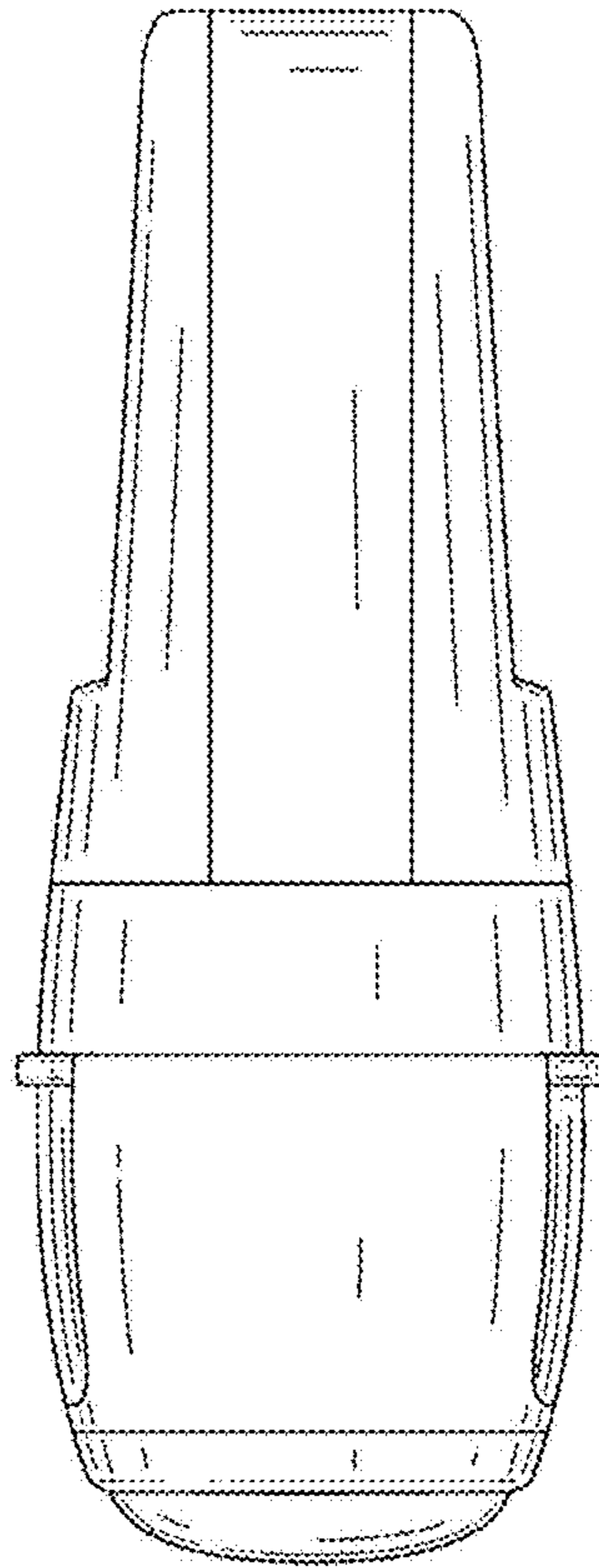


FIG. 14