



US00D836834S

(12) **United States Design Patent**  
**Cividi**

(10) **Patent No.:** **US D836,834 S**

(45) **Date of Patent:** **\*\* Dec. 25, 2018**

(54) **CHARGER FOR A VAPING DEVICE**

(71) Applicant: **Santosh Cividi**, Sugar Land, TX (US)

(72) Inventor: **Santosh Cividi**, Sugar Land, TX (US)

(\*\*) Term: **15 Years**

(21) Appl. No.: **29/628,513**

(22) Filed: **Dec. 5, 2017**

**Related U.S. Application Data**

(63) Continuation of application No. 29/622,182, filed on Oct. 14, 2017.

(51) **LOC (11) Cl.** ..... **27-99**

(52) **U.S. Cl.**  
USPC ..... **D27/194**; D13/108

(58) **Field of Classification Search**  
USPC ..... D27/100, 101, 102, 103, 104, 105, 125,  
D27/137, 162, 163-169, 170, 171,  
D27/172-194; D23/366; D13/103, 108;  
D9/452, 453, 454, 457; D14/435.1  
CPC ..... A24F 1/30; A24F 5/04; A24F 9/00; A24F  
47/002; A24F 47/008; A24F 7/00; A61M  
15/0021; G06K 7/0004  
See application file for complete search history.

(56) **References Cited**

**U.S. PATENT DOCUMENTS**

D346,581 S \* 5/1994 Tattari ..... D13/103  
D401,215 S \* 11/1998 Moskowitz ..... D13/103  
D412,486 S \* 8/1999 Gray ..... D13/103  
D521,445 S \* 5/2006 Liu ..... D13/103  
D532,776 S \* 11/2006 Griffin ..... D14/435.1  
D532,927 S \* 11/2006 Sann ..... D27/101  
D559,838 S \* 1/2008 Yuba ..... D14/230  
D579,934 S \* 11/2008 Okamoto ..... D14/435.1  
D603,864 S \* 11/2009 Borislow ..... D14/435.1  
D611,944 S \* 3/2010 Kujawski ..... D14/435.1  
D621,831 S \* 8/2010 Whitcomb ..... D10/103  
D624,012 S \* 9/2010 de Medeiros ..... D13/103

D631,883 S \* 2/2011 Maier ..... D14/435.1  
D631,885 S \* 2/2011 Maier ..... D14/435.1  
D635,142 S \* 3/2011 Borislow ..... D14/435.1  
D638,430 S \* 5/2011 Lee ..... D13/133  
D644,375 S 8/2011 Zhou  
D648,726 S \* 11/2011 Behar ..... D14/435.1  
D651,211 S \* 12/2011 Lee ..... D13/133

(Continued)

**OTHER PUBLICATIONS**

EZvapebuy by Alibaba. dated 2017. found online [Apr. 26, 2018]  
[https://www.alibaba.com/product-detail/2017-newest-vape-pen-USB-charger\\_60676891949.html](https://www.alibaba.com/product-detail/2017-newest-vape-pen-USB-charger_60676891949.html).\*

(Continued)

*Primary Examiner* — Marissa J Cash

(74) *Attorney, Agent, or Firm* — Andrew W. Chu; Craft Chu PLLC

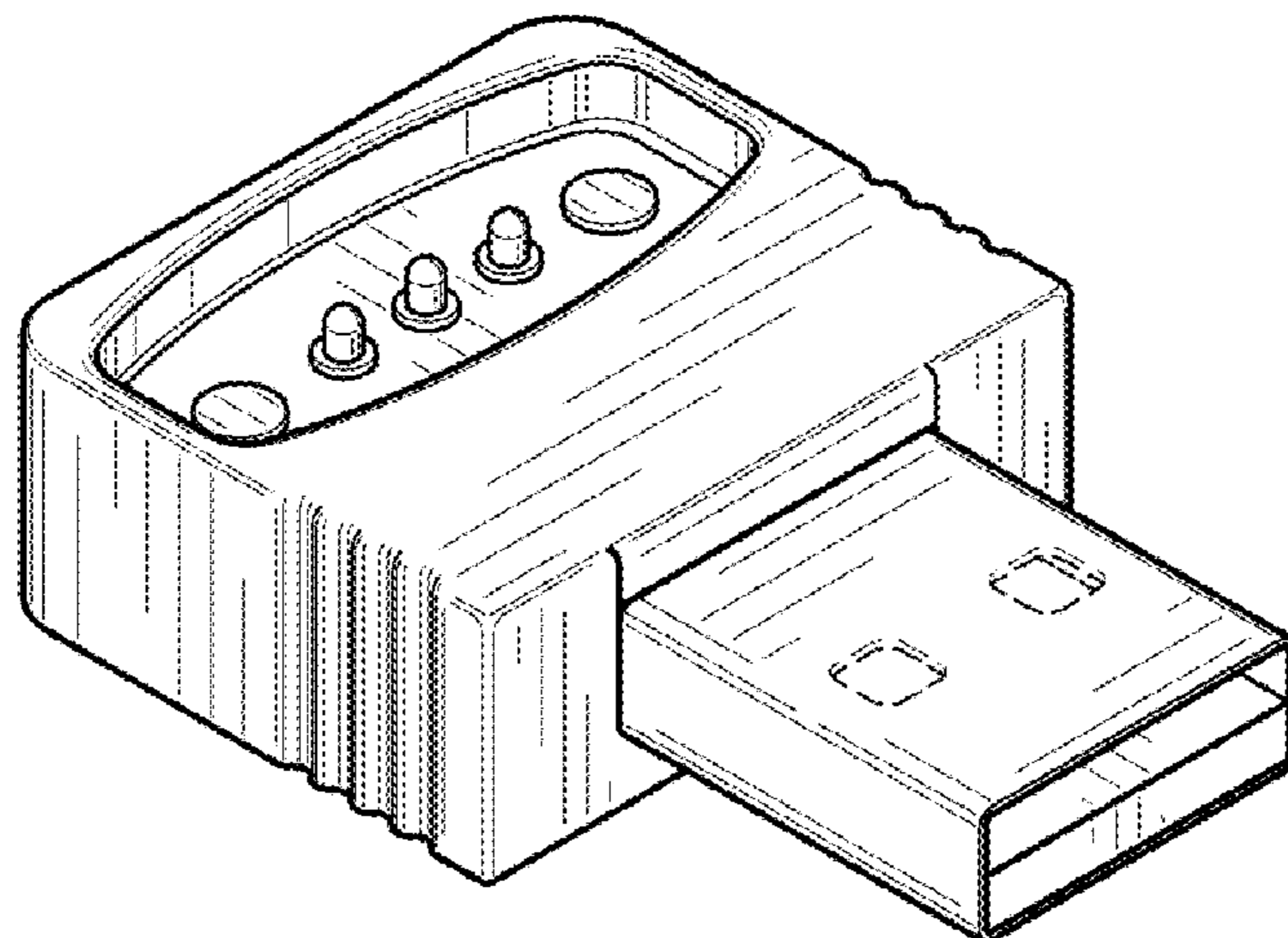
(57) **CLAIM**

The ornamental design for a charger for a vaping device, as shown and described.

**DESCRIPTION**

FIG. 1 is an upper perspective view of the charger for a vaping device showing my design;  
FIG. 2 is a front elevation view of the charger;  
FIG. 3 is a back elevation view of the charger;  
FIG. 4 is a side elevation view of the charger;  
FIG. 5 is an opposite side elevation view of the charger;  
FIG. 6 is a top plan view of the charger;  
FIG. 7 is a bottom plan view of the charger; and,  
FIG. 8 is an upper perspective view of the charger attached to a vaping device in broken lines.  
The broken line showing of a vaping device in FIG. 8 represents environmental subject matter only and forms no part of the claim. All other broken lines represent portions of the charger for a vaping device that form no part of the claim.

**1 Claim, 2 Drawing Sheets**



(56)

References Cited

U.S. PATENT DOCUMENTS

D655,708 S \* 3/2012 Frank ..... D14/435.1  
 D666,144 S \* 8/2012 Brand ..... D13/103  
 D669,899 S \* 10/2012 Cheng ..... D14/435.1  
 D672,351 S \* 12/2012 Camacho ..... D14/435.1  
 D675,777 S \* 2/2013 Wu ..... D27/101  
 D680,263 S \* 4/2013 Braley ..... D27/181  
 D685,522 S \* 7/2013 Potter  
 D686,987 S \* 7/2013 Vanstone ..... D13/108  
 D688,416 S \* 8/2013 Liu  
 D699,410 S \* 2/2014 Stachowski ..... D32/35  
 D703,680 S \* 4/2014 Lin ..... D14/480.1  
 D708,571 S \* 7/2014 Ji ..... D13/103  
 D709,823 S \* 7/2014 Corley ..... D13/103  
 D725,124 S \* 3/2015 Lin ..... D14/480.6  
 D729,439 S \* 5/2015 Scatterday  
 D743,401 S \* 11/2015 Shimano ..... D14/435.1  
 D744,419 S \* 12/2015 Bowen ..... D13/108  
 D750,320 S \* 2/2016 Verleur ..... A24F 47/008  
 D750,321 S \* 2/2016 Chen ..... D27/194

D762,003 S \* 7/2016 Lomeli ..... D27/163  
 D768,920 S \* 10/2016 Jones ..... D27/189  
 D769,877 S \* 10/2016 Akana ..... D14/433  
 D770,456 S \* 11/2016 Akana ..... D14/433  
 D773,115 S \* 11/2016 Liu ..... D27/167  
 D774,035 S \* 12/2016 Kao ..... D14/435.1  
 D776,338 S \* 1/2017 Lomeli ..... D27/163  
 D780,183 S \* 2/2017 Ferguson ..... D14/435.1  
 D786,497 S \* 5/2017 Sudlow ..... D27/162  
 D792,643 S \* 7/2017 Wong ..... D27/101  
 D798,307 S \* 9/2017 Otsuka ..... D14/480.1  
 D799,110 S \* 10/2017 Qiu ..... D27/101  
 D800,132 S \* 10/2017 Maus ..... D14/435.1  
 D802,838 S \* 11/2017 Clark ..... D27/189  
 D811,003 S \* 2/2018 Folyan ..... D27/101  
 2016/0345626 A1 \* 12/2016 Wong ..... A24F 47/008

OTHER PUBLICATIONS

Juul by juul. dated 2018. found online [Apr. 26, 2018] <https://www.juul.com/navy-blue-device-kit>.\*

\* cited by examiner

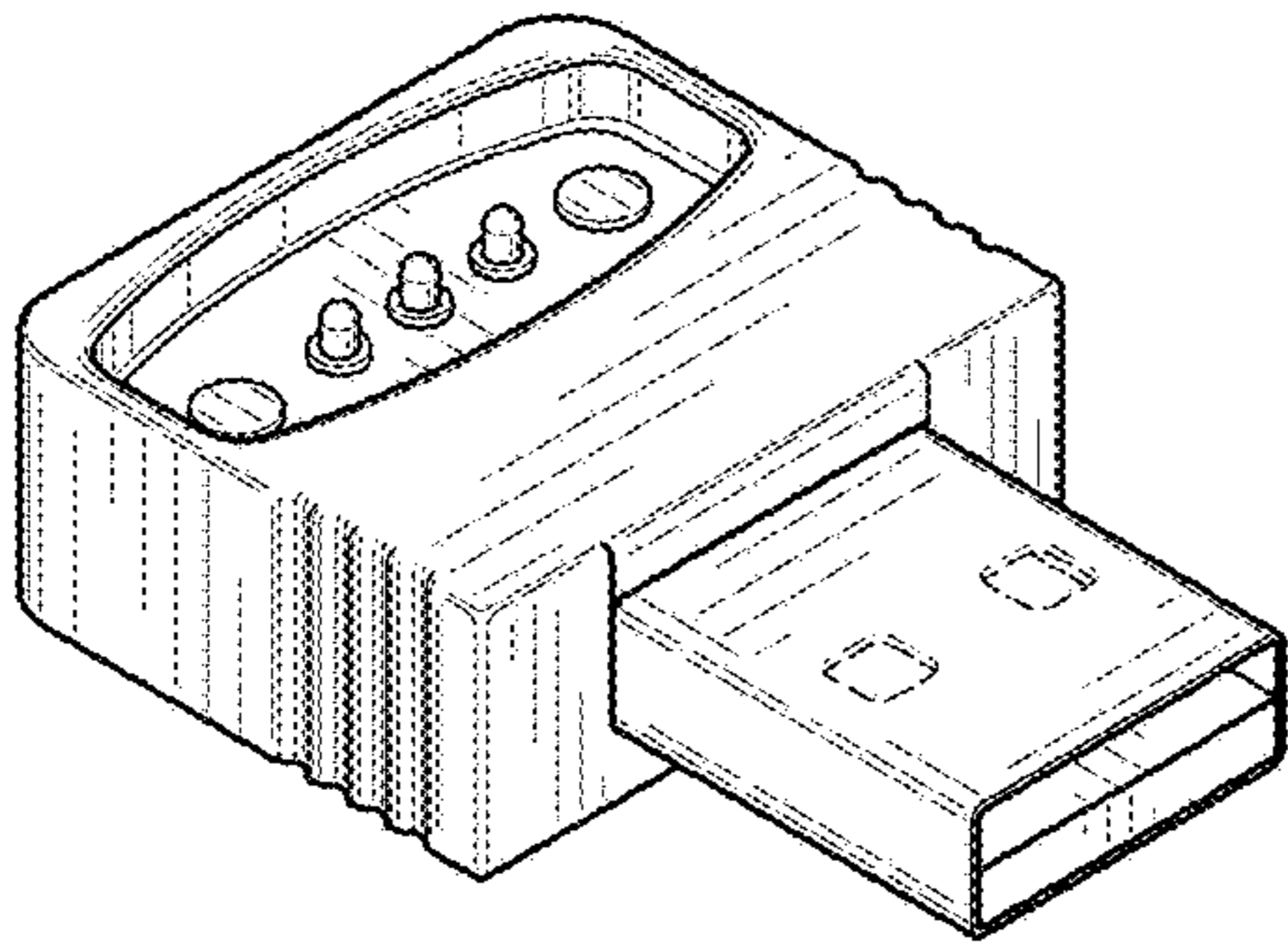


FIG. 1

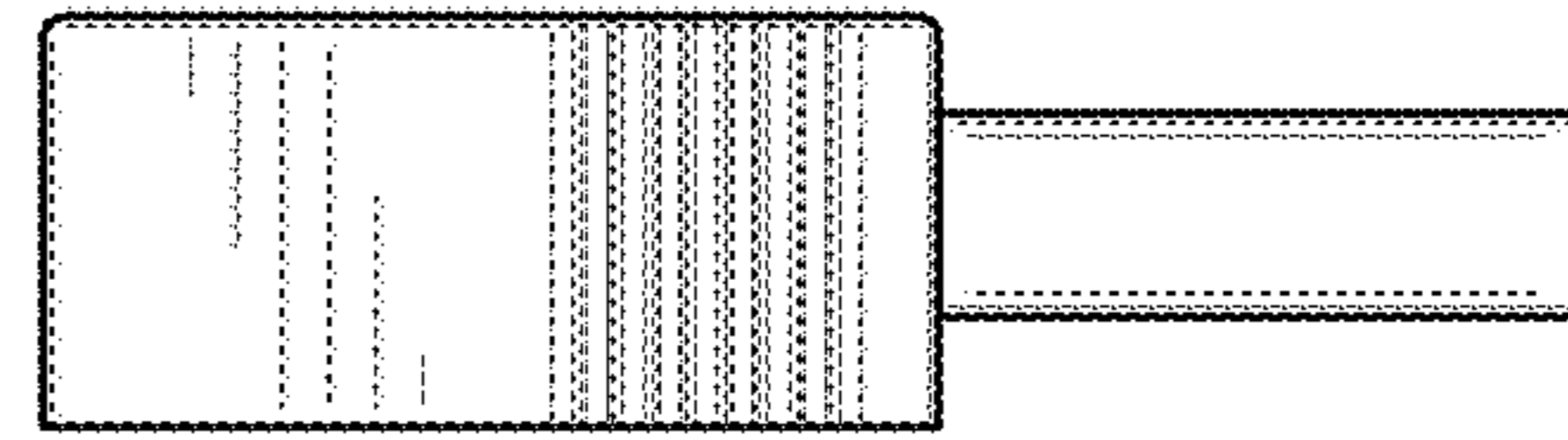


FIG. 5

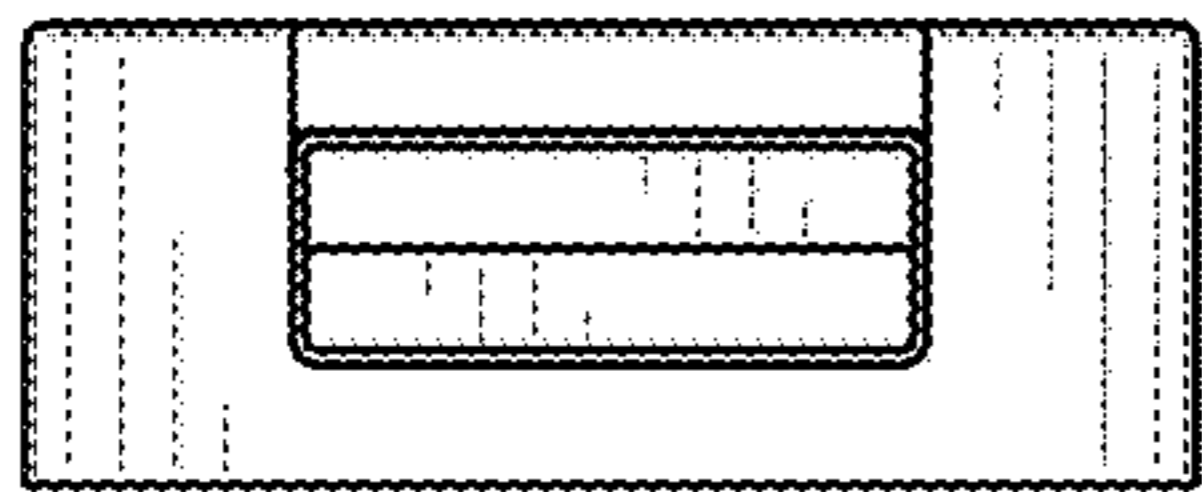


FIG. 2

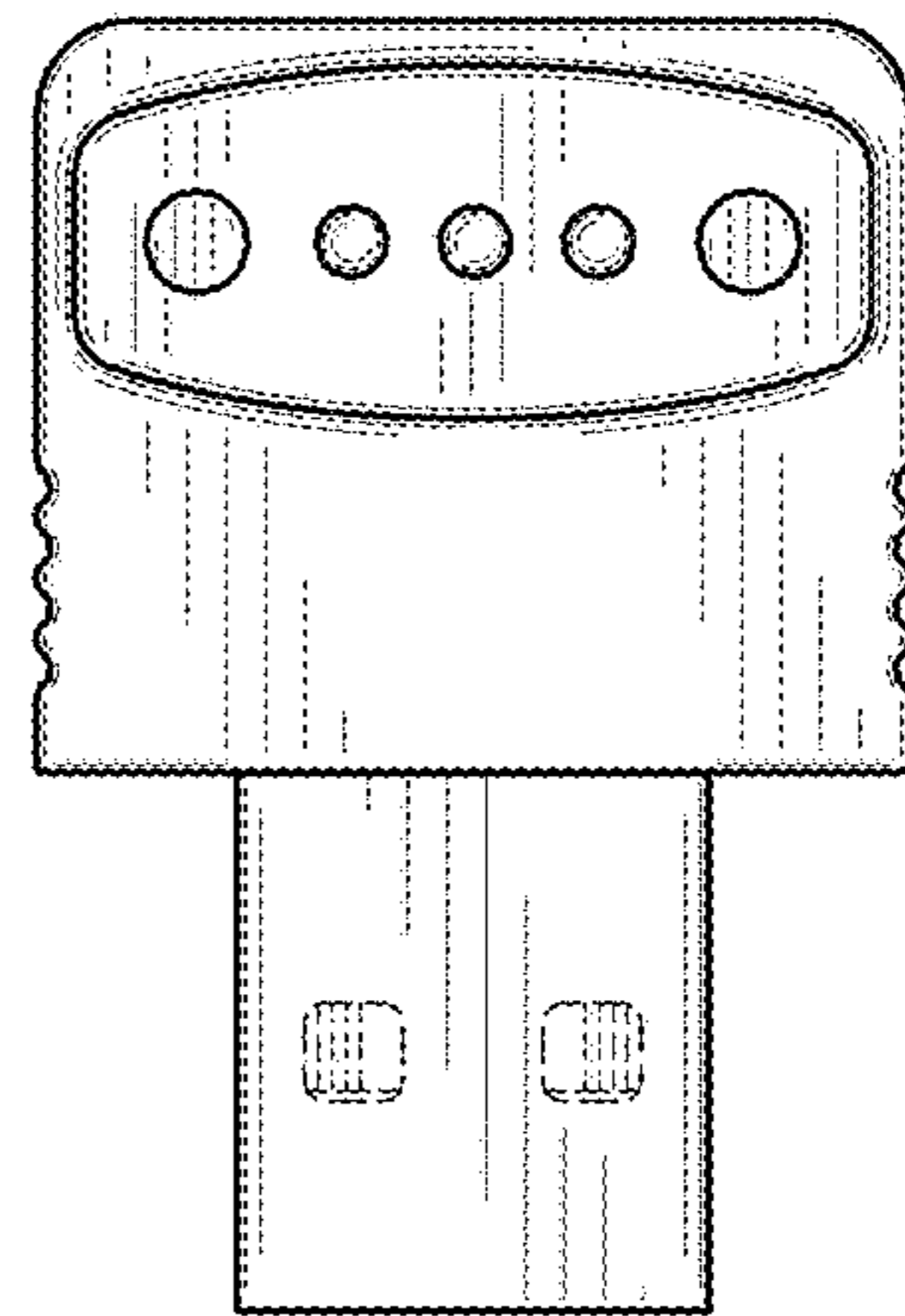


FIG. 6

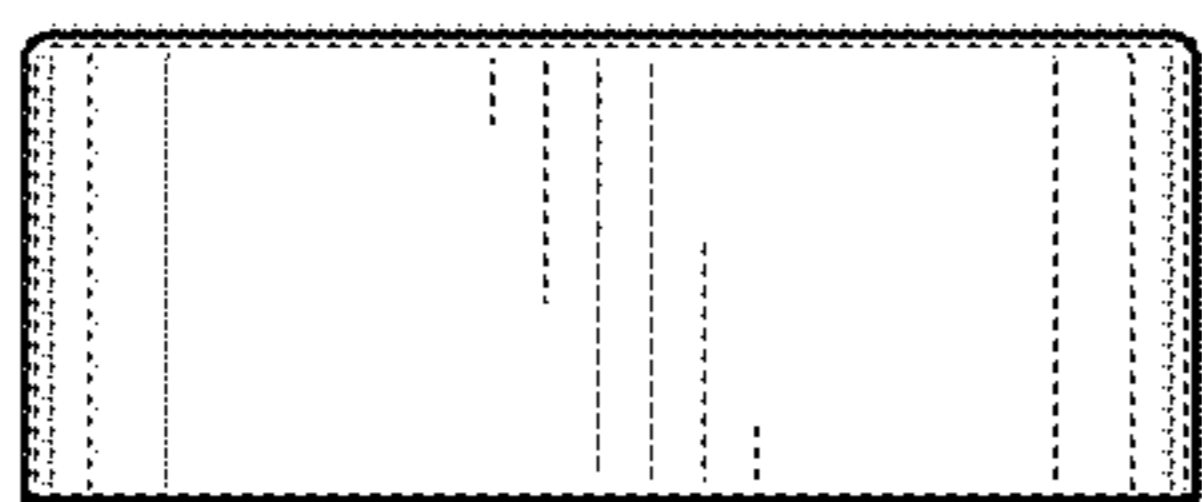


FIG. 3

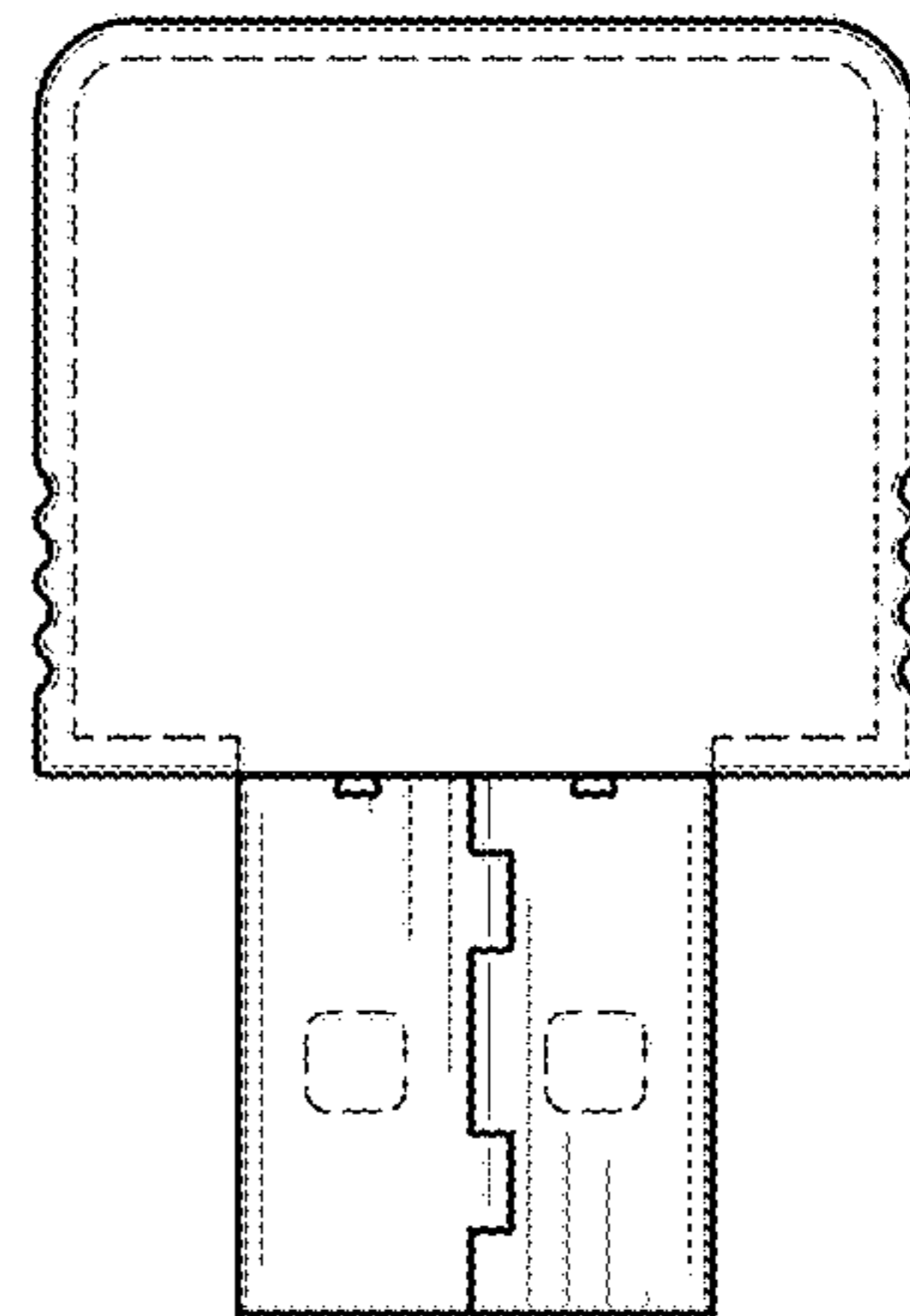


FIG. 7

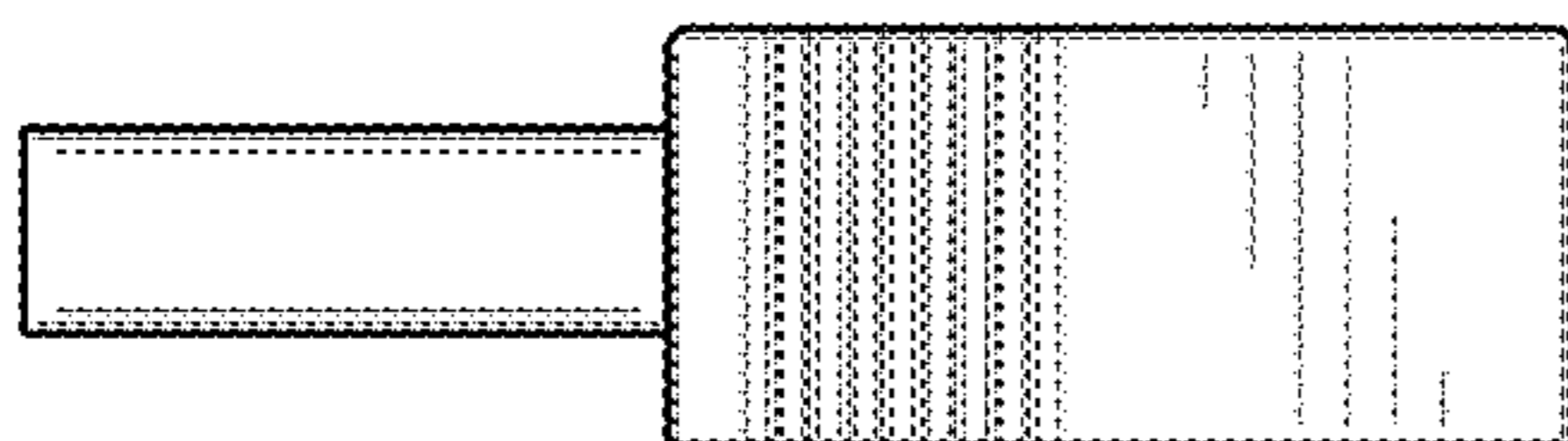


FIG. 4



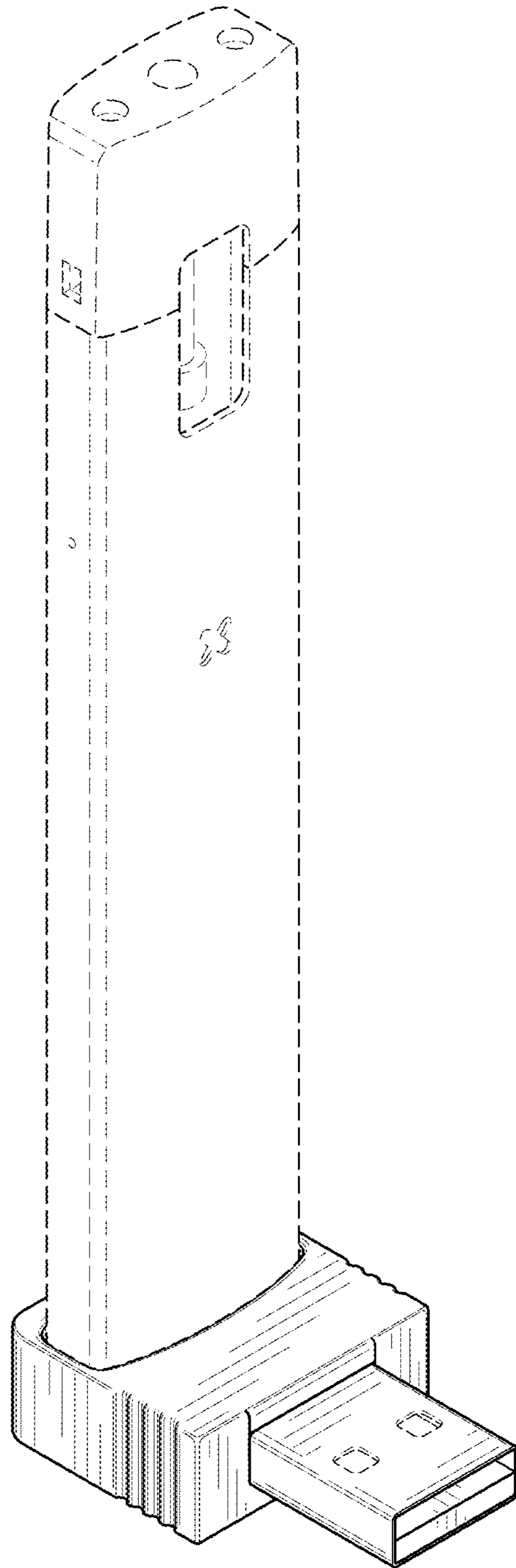


FIG. 8