



US00D836832S

(12) **United States Design Patent** (10) **Patent No.:** **US D836,832 S**
Kesselman et al. (45) **Date of Patent:** **** Dec. 25, 2018**

(54) **TRAY LOADER AND CASE ASSEMBLY**

(71) Applicants: **Joshua D. Kesselman**, Vancouver (CA); **Ian Kobe**, Tempe, AZ (US)
(72) Inventors: **Joshua D. Kesselman**, Vancouver (CA); **Ian Kobe**, Tempe, AZ (US)
(73) Assignee: **BBK Tobacco & Foods, LLP**, Phoenix, AZ (US)

(**) Term: **15 Years**

(21) Appl. No.: **29/615,509**

(22) Filed: **Aug. 29, 2017**

(51) **LOC (11) Cl.** **27-02**

(52) **U.S. Cl.**
USPC **D27/186**

(58) **Field of Classification Search**
USPC D27/172, 174, 175, 183, 184, 186-191, D27/194; D7/553.1, 555; D24/227, 230; D28/61; D9/736, 737, 748, 749, 758, D9/759; 206/557, 562-564, 566
CPC A24C 5/44; A24F 17/00
See application file for complete search history.

(56) **References Cited**

U.S. PATENT DOCUMENTS

D293,820 S *	1/1988	Guth	D24/230
5,019,124 A *	5/1991	Flugger	B65D 1/36
				206/560
D368,736 S *	4/1996	Massena	D19/103
D372,422 S *	8/1996	Anderson	D9/737
8,505,468 B2 *	8/2013	Yoshizawa	H01L 21/67346
				108/53.1
D690,164 S *	9/2013	Lock	D7/553.2
D789,599 S *	6/2017	Kesselman	D27/189
D800,337 S *	10/2017	Daines	D24/227
D814,654 S *	4/2018	Daines	D24/230

OTHER PUBLICATIONS

https://www.ebay.co.uk/itm/Raw-Triple-Flip-Magnetic-Bamboo-Rolling-Tray/152901068573?_trkparms=aid%3D222007%26algo%3DSIC.MBE%26ao%3D2%26asc%3D49129%26meid%3Dd98f27b009e546acb87f5b7fa385e0db%26pid%3D100011%26rk%3D4%26rkt%3D9%26sd%3D152892177992%26itm%3D152901068573&_trksid=p2047675.c100011.m1850 (Feb. 14, 2018).*

* cited by examiner

Primary Examiner — Susan Bennett Hattan

Assistant Examiner — Rebecca Tsehaye

(74) *Attorney, Agent, or Firm* — Weiss & Moy, P.C.; Jeffrey D. Moy

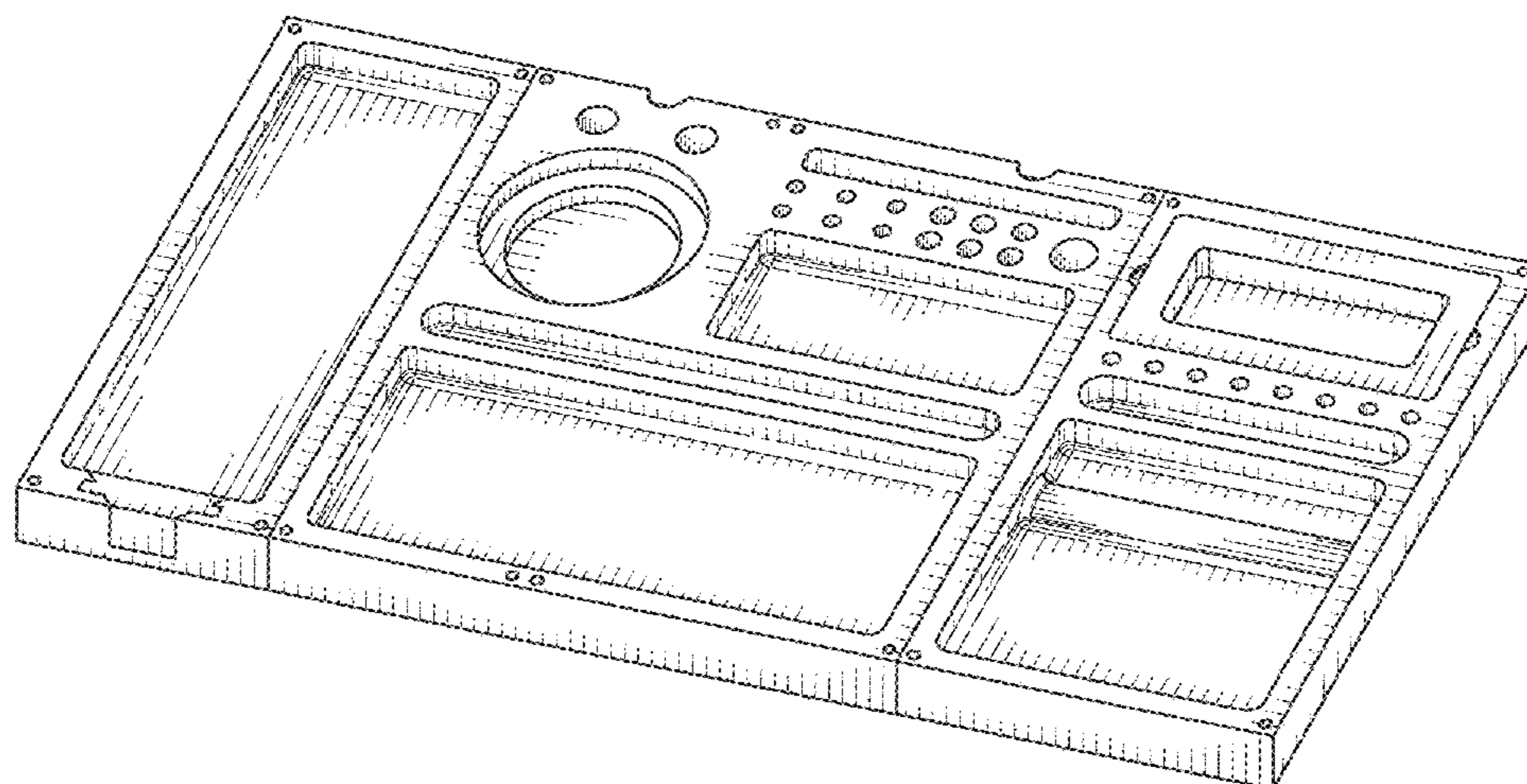
(57) **CLAIM**

The tray loader and case assembly, as shown and described.

DESCRIPTION

FIG. 1 is an elevated, perspective view of the tray loader and case assembly in an open position;
FIG. 2 is a top, exploded, of the tray loader and case assembly in an open position;
FIG. 3 is top front view, expanded, of the tray loader and case assembly;
FIG. 4 is a rear view, expanded, of the tray loader and case assembly;
FIG. 5 is a front view, expanded, of the tray loader and case assembly;
FIG. 6 is a right side view of the tray loader and case assembly;
FIG. 7 is a cross sectional view of the tray loader and case assembly taken in the direction of line 7-7 of FIG. 3; and,
FIG. 8 is a perspective view of the tray loader and case assembly in a closed position.

1 Claim, 6 Drawing Sheets



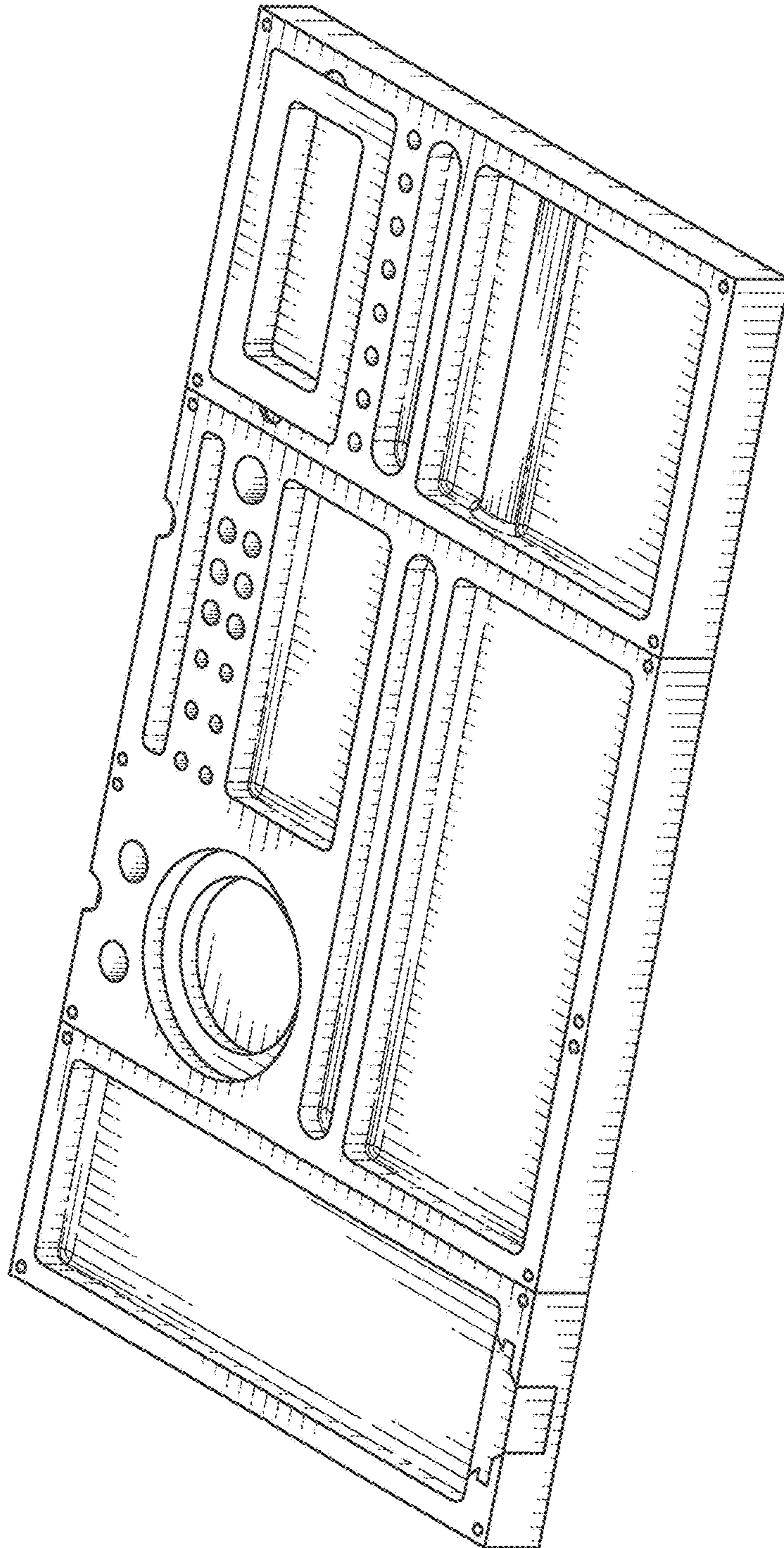


FIG. 1

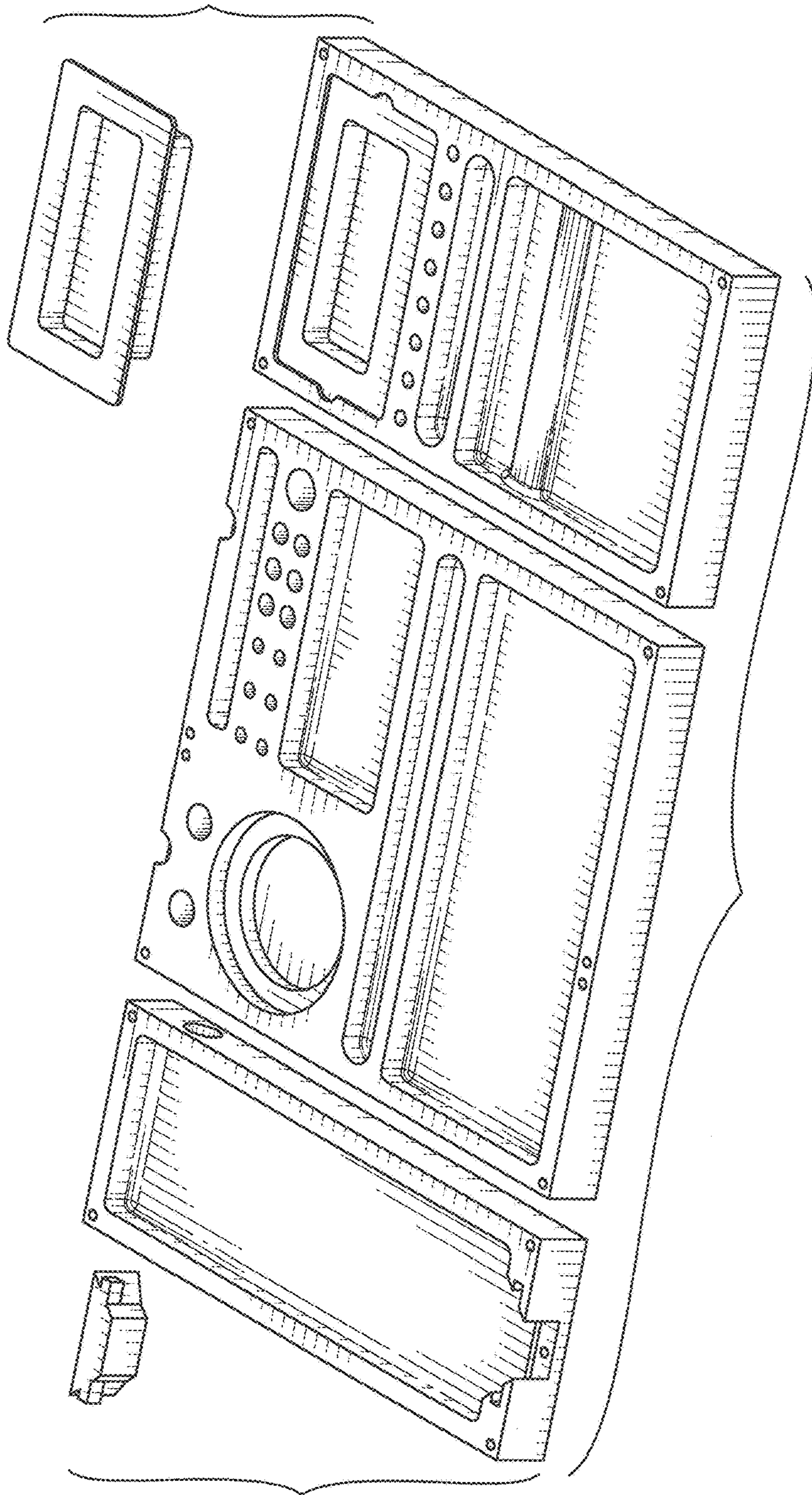


FIG. 2

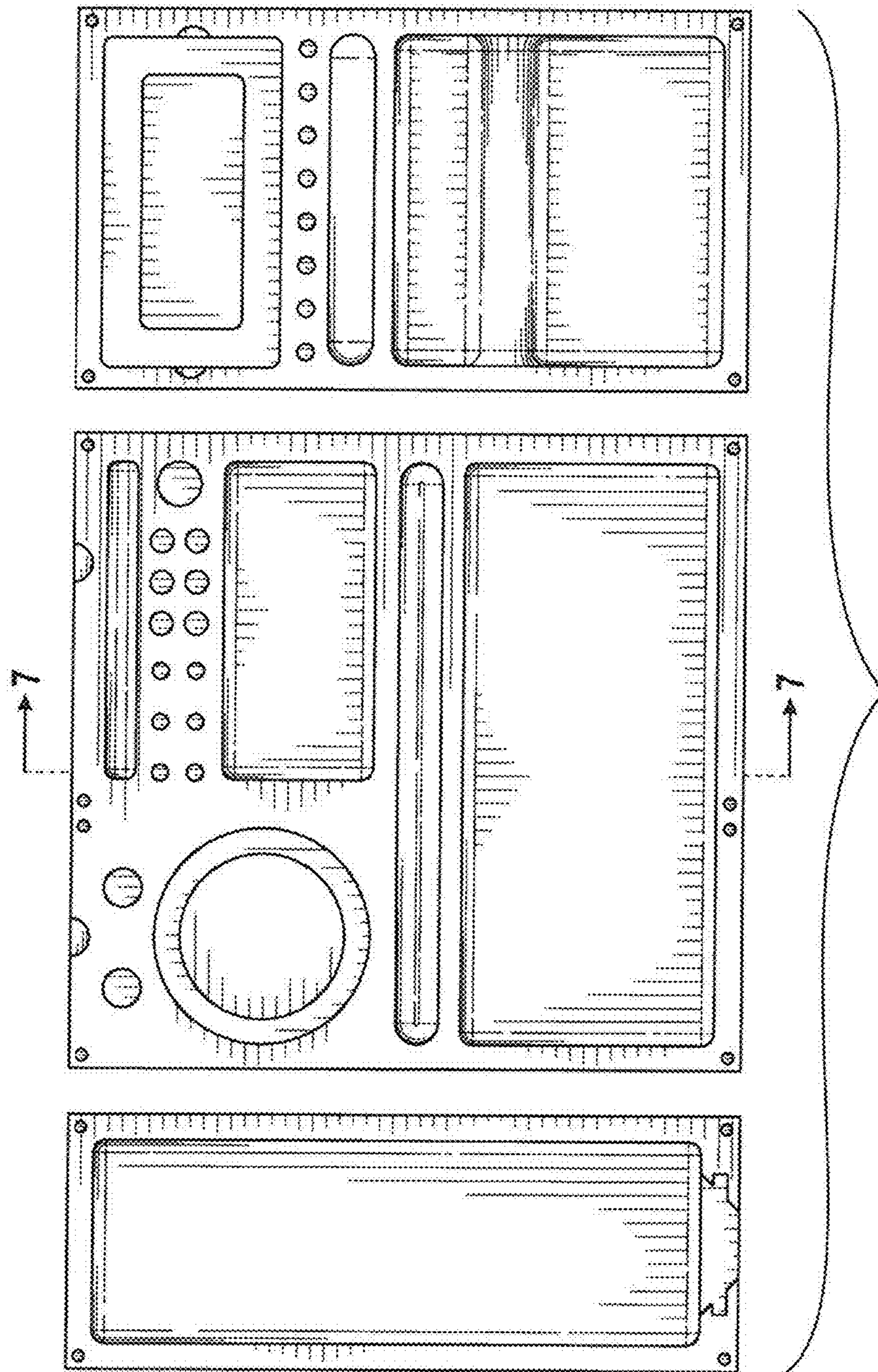


FIG. 3

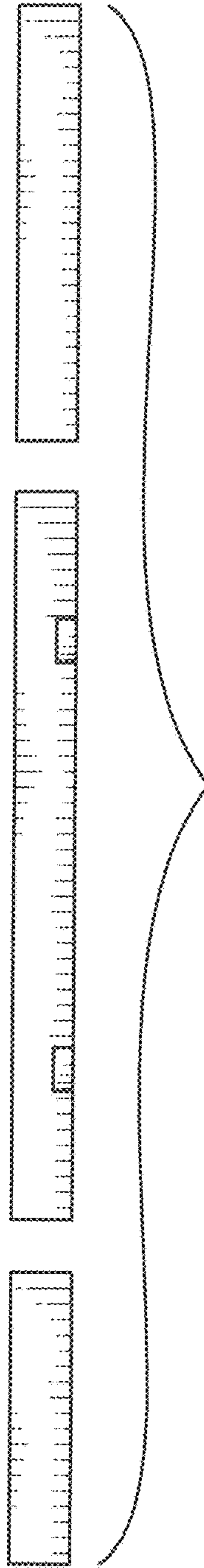


FIG. 4

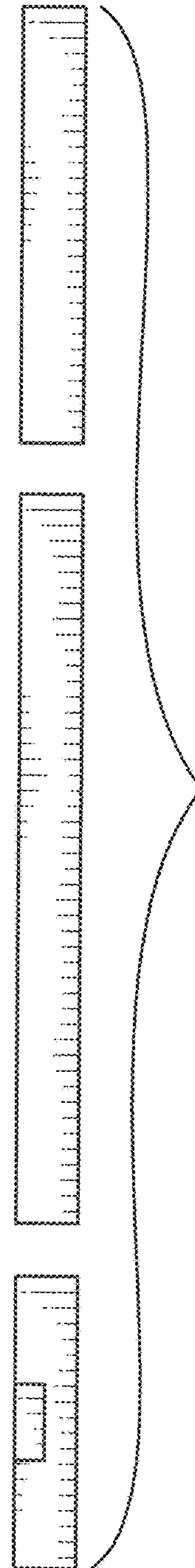


FIG. 5



FIG. 6



FIG. 7

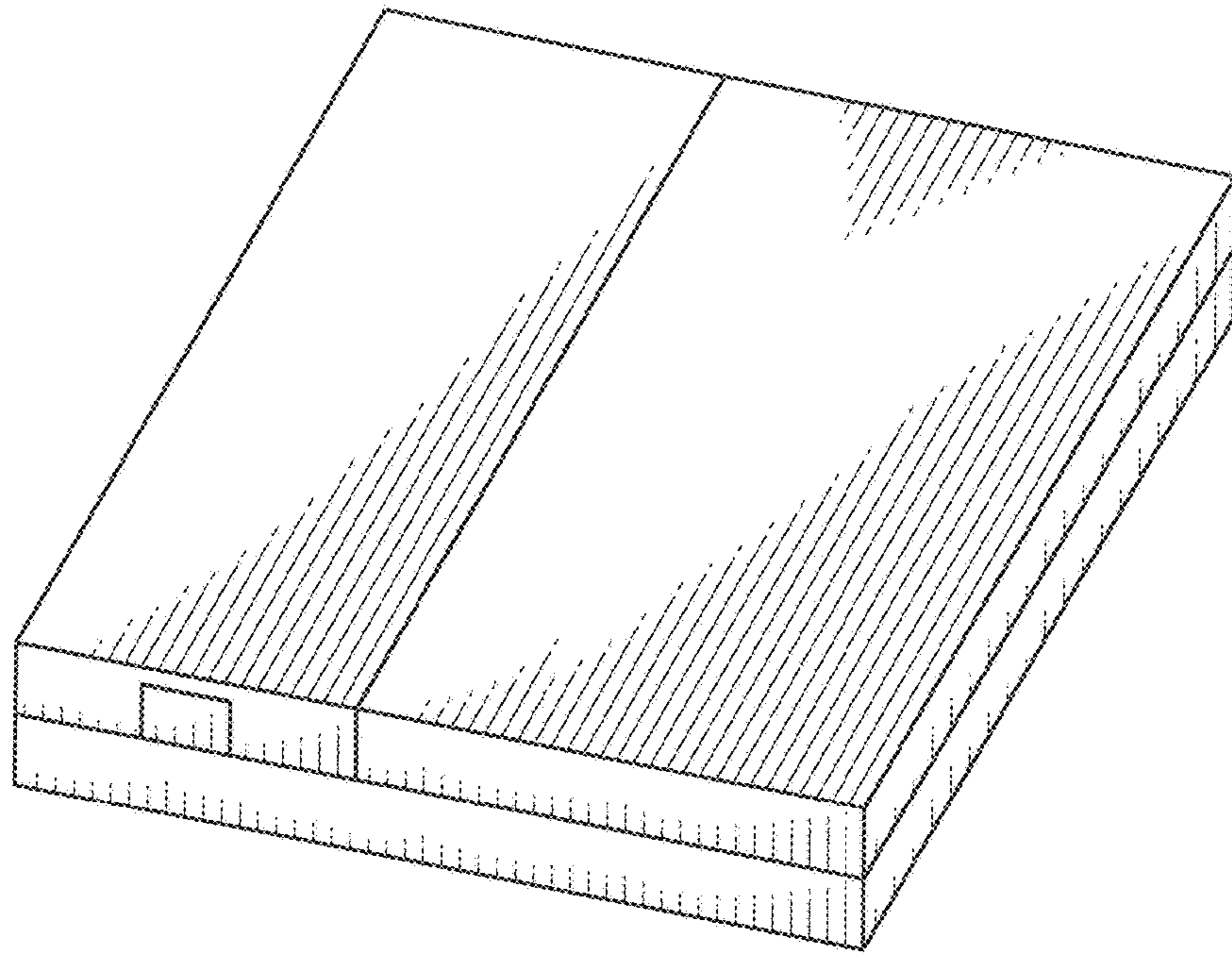


FIG. 8